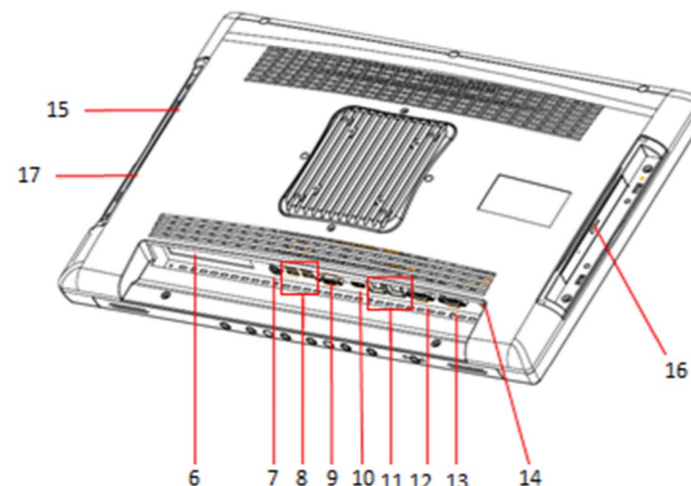


# POC-W212 Quick User Guide

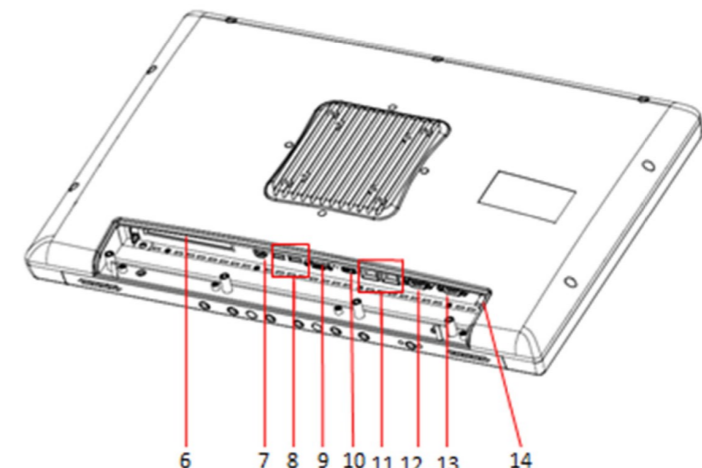
<p><b>ENGLISH</b></p> <p><b>&lt;POC-W212&gt;</b></p> <ol style="list-style-type: none"> <li>Power on/off</li> <li>Volume control</li> <li>Touchscreen function control</li> <li>Read light control</li> <li>Brightness control</li> </ol> <p><b>POC-W212-x01D</b></p> <ol style="list-style-type: none"> <li>PCIe (x4) slot</li> <li>Power DC-in</li> <li>2 x USB 2.0 port &amp; 2 x USB 3.0 port*</li> <li>VGA port</li> <li>HDMI-out port</li> <li>2 x isolated Gigabit ethernet interface (RJ-45)</li> <li>1 x isolated RS-232 serial port</li> <li>1 x isolated RS-232/422/485 serial port</li> <li>Equipotential terminal pin</li> <li>2 x USB 2.0 port*</li> <li>RW-DVD ROM</li> <li>Smart card reader</li> </ol> <p><b>POC-W212-x11D (IP54 Version)</b></p> <ol style="list-style-type: none"> <li>PCIe (x4) slot</li> <li>Power DC-in</li> <li>2 x USB 2.0 port &amp; 2 x USB 3.0 port*</li> <li>VGA port</li> <li>HDMI-out port</li> <li>2 x isolated Gigabit ethernet interface (RJ-45)</li> <li>1 x isolated RS-232 serial port</li> <li>1 x isolated RS-232/422/485 serial port</li> <li>Equipotential terminal pin</li> </ol> <p>NOTE: *USB ports or other removable media drives may present a security risk.</p> <p>CAUTION: Before you set up and use the POC, view the support documentation on our website – search by name, i.e., POC-W212. Cleaning instructions can also be found in the documentation.</p> <p><a href="http://support.advantech.com.tw/support/new_default.aspx">http://support.advantech.com.tw/support/new_default.aspx</a></p>	<p><b>DEUTSCH</b></p> <p><b>&lt;POC-W212&gt;</b></p> <ol style="list-style-type: none"> <li>Ein/Aus-Taste</li> <li>Lautstärke-Taste</li> <li>Touchscreen</li> <li>Leselampe</li> <li>Helligkeit Taste</li> </ol> <p><b>POC-W212-x01D</b></p> <ol style="list-style-type: none"> <li>PCIe (x4) Slot</li> <li>Stromanschluss</li> <li>2 x USB 2.0 Port &amp; 2 x USB 3.0 Port*</li> <li>VGA Anschluss</li> <li>HDMI-Ausgang</li> <li>2 x Gigabit Ethernet Schnittstelle (RJ-45)</li> <li>1x RS-232 serieller Port</li> <li>1x RS-232/422/485 serieller Port</li> <li>Äquipotential-Anschlussstift</li> <li>2x Port USB 2.0*</li> <li>DVD Laufwerk</li> <li>Smartcard-Leser</li> </ol> <p><b>POC-W212-x11D (IP54 Version)</b></p> <ol style="list-style-type: none"> <li>PCIe (x4) Slot</li> <li>Stromanschluss</li> <li>2 x USB 2.0 Port &amp; 2 x USB 3.0 Port*</li> <li>VGA Anschluss</li> <li>HDMI-Ausgang</li> <li>2 x Gigabit Ethernet Schnittstelle (RJ-45)</li> <li>1x RS-232 serieller Port</li> <li>1x RS232/422/485 serieller Port</li> <li>Äquipotential-Anschlussstift</li> </ol> <p>HINWEIS: *USB-Ports oder andere entfernbar Medienlaufwerke könnten ein Sicherheitsrisiko darstellen.</p> <p>ACHTUNG: Lesen Sie die Support-Dokumentation auf unserer Webseite, bevor Sie den POC einrichten und benutzen – suchen Sie nach dem Produkt z.B.: POC-W212. In der Dokumentation stehen auch Hinweise zur Reinigung.</p> <p><a href="http://support.advantech.com.tw/support/new_default.aspx">http://support.advantech.com.tw/support/new_default.aspx</a></p>	<p><b>NEDERLANDS</b></p> <p><b>&lt;POC-W212&gt;</b></p> <ol style="list-style-type: none"> <li>Power aan/uit</li> <li>Volume toets</li> <li>Touchscreen functie toets</li> <li>Leeslampje</li> <li>Helderheid toets</li> </ol> <p><b>POC-W212-x01D</b></p> <ol style="list-style-type: none"> <li>PCIe(x4) gleuf</li> <li>Power DC-in</li> <li>2 x USB 2.0 poort&amp; 2 x USB 3.0 poort*</li> <li>VGA poort</li> <li>HDMI-uit poort</li> <li>2 x geïsoleerde Gigabit ethernetinterface (RJ-45)</li> <li>1 x geïsoleerde RS-232 seriepoort</li> <li>1 x geïsoleerde RS-232/422/485 seriepoort</li> <li>Equipotentielle terminale pin</li> <li>2 x USB 2.0 poort*</li> <li>RW-DVD ROM</li> <li>Smartcard-Reader</li> </ol> <p><b>POC-W212-x11D (IP54 Versie)</b></p> <ol style="list-style-type: none"> <li>PCIe(x4) gleuf</li> <li>Power DC-in</li> <li>2 x USB 2.0 poort&amp; 2 x USB 3.0 poort*</li> <li>VGA poort</li> <li>HDMI-uit poort</li> <li>2 x geïsoleerde Gigabit ethernetinterface (RJ-45)</li> <li>1 x geïsoleerde RS-232 seriepoort</li> <li>1 x geïsoleerde RS-232/422/485 seriepoort</li> <li>Equipotentielle terminale pin</li> </ol> <p>OPMERKING: *USB poorten of andere verwijderbare mediaschijven kunnen een beveiligingsrisico met zich meebrengen.</p> <p>WAARSCHUWING: Neem eerst op onze website de begeleidende documentatie door voordat u de POC instelt en gebruiktoezoe op naam, bijv. POC- W242. Schoonmaak instructies zijn ook in de documentatie te vinden.</p> <p><a href="http://support.advantech.com.tw/support/new_default.aspx">http://support.advantech.com.tw/support/new_default.aspx</a></p>	<p><b>FRANCAISE</b></p> <p><b>&lt;POC-W212&gt;</b></p> <ol style="list-style-type: none"> <li>Marche/Arrêt</li> <li>Touche de volume</li> <li>Écran tactile</li> <li>Lampe de lecture</li> <li>Contrôle luminosité</li> </ol> <p><b>POC-W212-x01D</b></p> <ol style="list-style-type: none"> <li>Emplacement carte PCIe (x4)</li> <li>Connecteur d'alimentation</li> <li>Ports USB 2.0 x2 &amp; ports USB 3.0 x 2 *</li> <li>Port VGA</li> <li>Sortie HDMI</li> <li>Interface Ethernet Gigabit isolée (RJ-45) x 2</li> <li>Port série RS-232 isolé x 1</li> <li>Port série RS-232/422/485 isolé x 1</li> <li>Broche de connexion équipotentielle</li> <li>Port USB 2.0 port x 2 *</li> <li>Lecteur DVD</li> <li>Lecteur de carte mémoire</li> </ol> <p><b>POC-W212-x11D (Versopm IP54)</b></p> <ol style="list-style-type: none"> <li>Emplacement carte PCIe (x4)</li> <li>Connecteur d'alimentation</li> <li>Ports USB 2.0 x2 &amp; ports USB 3.0 x 2 *</li> <li>Port VGA</li> <li>Sortie HDMI</li> <li>Interface Ethernet Gigabit isolée (RJ-45) x 2</li> <li>Port série RS-232 isolé x 1</li> <li>Port série RS-232/422/485 isolé x 1</li> <li>Broche de connexion équipotentielle</li> </ol> <p>NOTE : * Les ports USB ou les autres média amovibles peuvent présenter des risques de sécurité.</p> <p>ATTENTION : avant d'installer et d'utiliser cet écran, veuillez consulter le manuel d'utilisation sur notre site internet – faites une recherche par nom, i.e., POC-W212. Les instructions de nettoyage et d'entretien se trouvent aussi dans le manuel d'utilisation.</p> <p><a href="http://support.advantech.com.tw/support/new_default.aspx">http://support.advantech.com.tw/support/new_default.aspx</a></p>	<p><b>ITALIANO</b></p> <p><b>&lt;POC-W212&gt;</b></p> <ol style="list-style-type: none"> <li>Accensione/Spegnimento</li> <li>Controllo volume</li> <li>Controllo funzioni del touchscreen</li> <li>Controllo luce di lettura</li> <li>Controllo luminosità</li> </ol> <p><b>POC-W212-x01D</b></p> <ol style="list-style-type: none"> <li>4 slot PCIe</li> <li>Ingresso alimentazione CC</li> <li>2 porte USB 2.0 e 2 porte USB 3.0*</li> <li>Porta VGA</li> <li>Porta uscita HDMI</li> <li>2 interfacce Gigabit Ethernet isolate (RJ-45)</li> <li>1 porta seriale isolata RS-232</li> <li>1 porta seriale RS-232/422/485 isolata</li> <li>Equipotential terminal pin</li> <li>2 porte USB 2.0*</li> <li>RW-DVD ROM</li> <li>Lettore smart card</li> </ol> <p><b>POC-W212-x11D (Versione IP54)</b></p> <ol style="list-style-type: none"> <li>4 slot PCIe</li> <li>Ingresso alimentazione CC</li> <li>2 porte USB 2.0 e 2 porte USB 3.0*</li> <li>Porta VGA</li> <li>Porta uscita HDMI</li> <li>2 interfacce Gigabit Ethernet isolate (RJ-45)</li> <li>1 porta seriale isolata RS-232</li> <li>1 porta seriale isolata RS-232/422/485</li> <li>Equipotential terminal pin</li> </ol> <p>NOTA: *Le porte USB o altri dispositivi rimovibili possono presentare rischi per la sicurezza.</p> <p>ATTENZIONE: Prima di impostare e usare il POC, consultare la documentazione di supporto sul nostro sito - cercare per nome, es: POC-W212. Nella documentazione è possibile trovare anche le istruzioni per la pulizia del prodotto.</p> <p><a href="http://support.advantech.com.tw/support/new_default.aspx">http://support.advantech.com.tw/support/new_default.aspx</a></p>	<p><b>ESPAÑOL</b></p> <p><b>&lt;POC-W212&gt;</b></p> <ol style="list-style-type: none"> <li>Encendido/Apagado</li> <li>Control del volumen</li> <li>Control de la función de la pantalla táctil</li> <li>Control de la iluminación de lectura</li> <li>Control del brillo</li> </ol> <p><b>POC-W212-x01D</b></p> <ol style="list-style-type: none"> <li>4 ranuras PCIe</li> <li>Entrada de alimentación CC</li> <li>2 puertos USB 2.0 y 2 puertos USB 3.0*</li> <li>Puerto VGA</li> <li>Puerto de salida HDMI</li> <li>2 interfaces Ethernet aislado Gigabit (RJ-45)</li> <li>1 puerto de serie aislado RS-232</li> <li>1 puerto de serie aislado RS-232/422/485</li> <li>Pin de la terminal equipotencial</li> <li>2 puertos USB 2.0*</li> <li>DVD ROM-RW</li> <li>Lector de tarjeta inteligente</li> </ol> <p><b>POC-W212-x11D (versión IP54)</b></p> <ol style="list-style-type: none"> <li>4 ranuras PCIe</li> <li>Entrada de la fuente de alimentación CC</li> <li>2 puertos USB 2.0 y 2 puertos USB 3.0*</li> <li>Puerto VGA</li> <li>Porta uscita HDMI</li> <li>2 interfaces Ethernet aislada Gigabit (RJ-45)</li> <li>1 puerto de serie aislada RS-232</li> <li>1 puerto de serie aislado RS-232/422/485</li> <li>Pin de la terminal equipotencial</li> </ol> <p>NOTA: *Los puertos USB u otros discos multimedia extraíbles pueden producir un riesgo de seguridad.</p> <p>PRECAUCIÓN: Antes de configurar y usar el POC, lea detenidamente la documentación de soporte en nuestra página web – búsqueda por nombre, por ejemplo: POC-W212. Las instrucciones de limpieza también se pueden encontrar en la documentación.</p> <p><a href="http://support.advantech.com.tw/support/new_default.aspx">http://support.advantech.com.tw/support/new_default.aspx</a></p>	<p><b>PORTUGUÊS</b></p> <p><b>&lt;POC-W212&gt;</b></p> <ol style="list-style-type: none"> <li>Interruptor Ligar/Desligar</li> <li>Controlo de volume</li> <li>Controlo da função Touchscreen</li> <li>Controlo de luz de leitura</li> <li>Controlo de brilho</li> </ol> <p><b>POC-W212-x01D</b></p> <ol style="list-style-type: none"> <li>Entrada/ PCIe (x4)</li> <li>Entrada de alimentação DC</li> <li>2 x portas USB 2.0 &amp; 2 x portas* USB 3.0</li> <li>Porta VGA</li> <li>Porta de saída HDMI</li> <li>2 x Gigabit Ethernet (isolada) interface (RJ-45)</li> <li>1 x porta serial RS-232 (isolada)</li> <li>1 x porta serial RS-232/422/485 (isolada)</li> <li>Pino de terminal equipotencial</li> <li>2 x portas* USB 2.0</li> <li>Unidade RW-DVD ROM</li> <li>Lector de SmartCard</li> </ol> <p><b>POC-W212-x11D (Versão IP54)</b></p> <ol style="list-style-type: none"> <li>Entrada/ PCIe (x4)</li> <li>Entrada de alimentação DC</li> <li>2 x portas USB 2.0 &amp; 2 x portas* USB 3.0</li> <li>Porta VGA</li> <li>Porta de saída HDMI</li> <li>2 x Gigabit Ethernet (isolada) interface (RJ-45)</li> <li>1 x porta serial RS-232 (isolada)</li> <li>1 x porta serial RS-232/422/485 (isolada)</li> <li>Pino de terminal equipotencial</li> </ol> <p>Nota: Portas* USB ou outras unidades de armazenamento removíveis podem apresentar um risco a segurança.</p> <p>ATENÇÃO: Antes de configurar e utilizar o POC, veja a documentação de suporte no nosso site – pesquise por nome, ou seja, POC-W212. As Instruções de Limpeza também poderão ser encontradas nesta documentação.</p> <p><a href="http://support.advantech.com.tw/support/new_default.aspx">http://support.advantech.com.tw/support/new_default.aspx</a></p>	<p><b>SVENSKA</b></p> <p><b>&lt;POC-W212&gt;</b></p> <ol style="list-style-type: none"> <li>Ström på/av</li> <li>Volymkontroll</li> <li>Funktionskontroll för pekskärm</li> <li>Ljusreglering</li> <li>Reglering av ljusstyrka</li> </ol> <p><b>POC-W212-x01D</b></p> <ol style="list-style-type: none"> <li>PCIe (x4) kortplats</li> <li>Ström in</li> <li>2 x USB 2.0-port &amp; 2 x USB 3.0-port*</li> <li>VGA-port</li> <li>HDMI-ut-port</li> <li>2 x isolerade Gigabit Ethernet-gränssnitt (RJ-45)</li> <li>1 x isolerad RS-232 seriell port</li> <li>1 x isolerad RS-232/422/485 seriell port</li> <li>Anslutningsstift till potentiell utrustning</li> <li>2 x USB 2.0-port*</li> <li>RW-DVD ROM</li> <li>Smartkortläsare</li> </ol> <p><b>POC-W212-x11D (IP54-version)</b></p> <ol style="list-style-type: none"> <li>PCIe (x4) kortplats</li> <li>Ström in</li> <li>2 x USB 2.0-port &amp; 2 x USB 3.0-port*</li> <li>VGA-port</li> <li>HDMI-ut-port</li> <li>2 x isolerade Gigabit Ethernet-gränssnitt (RJ-45)</li> <li>1 x isolerad RS-232 seriell port</li> <li>1 x isolerad RS-232/422/485 seriell port</li> <li>Anslutningsstift till potentiell utrustning</li> </ol> <p>OBS: *USB-minnen eller andra flyttbara media enheter kan utgöra en säkerhetsrisk.</p> <p>VARNING: Innan du ställer in och använder POC, läs igenom användare dokumentationen (Manual) på vår webbplats - sök på namn, dvs. POC-W212. Rengöringsinstruktionerna finns också i dokumentationen.</p> <p><a href="http://support.advantech.com.tw/support/new_default.aspx">http://support.advantech.com.tw/support/new_default.aspx</a></p>	<p><b>SUOMI</b></p> <p><b>&lt;POC-W212&gt;</b></p> <ol style="list-style-type: none"> <li>Virta päällä/pois päältä</li> <li>Äänenvoimakkuus</li> <li>Kosketusnäyttötoiminnon hallinta</li> <li>Punavalon hallinta</li> <li>Kirkkauden hallinta</li> </ol> <p><b>POC-W212-x01D</b></p> <ol style="list-style-type: none"> <li>PCIe (x4) paikka</li> <li>Verkkovirta sisään</li> <li>2 x USB 2.0 portti &amp; 2 x USB 3.0 portti*</li> <li>VGA portti</li> <li>HDMI ulos portti</li> <li>2 x suljettu Gigabit Ethernet-liitäntä (RJ-45)</li> <li>1 x suljettu RS-232 sarjaportti</li> <li>1 x suljettu RS-232/422/485 sarjaportti</li> <li>Potentialitasasterminaalin nasta</li> <li>2 x USB 2.0 portti*</li> <li>RW – DVD ROM</li> <li>Älykortlukija</li> </ol> <p><b>POC-W212-x11D (IP54 versio)</b></p> <ol style="list-style-type: none"> <li>PCIe (x4) paikka</li> <li>Verkkovirta sisään</li> <li>2 x USB 2.0 portti &amp; USB 3.0 portti*</li> <li>VGA portti</li> <li>HDMI- ulos portti</li> <li>2 x suljettu Gigabit Ethernet-liitäntä (RJ-45)</li> <li>1 x suljettu RS-232 sarjaportti</li> <li>1 x suljettu RS-232/422/485 sarjaportti</li> <li>Potentialitasasterminaalin nasta</li> </ol> <p>HUOMIO: *USB-portit tai muut poistettavat tiedontallentimet voivat aiheuttaa turvariskin.</p> <p>VAROITUS: Ennen kuin asennat ja käytät POC:tä, katso tukitiedostot nettisivuiltamme -etsi nimellä esim. POC-W212. Puhdistusohjeet löytyvät myös samasta tiedostosta.</p> <p><a href="http://support.advantech.com.tw/support/new_default.aspx">http://support.advantech.com.tw/support/new_default.aspx</a></p>	<p><b>NORSK</b></p> <p><b>&lt;POC-W212&gt;</b></p> <ol style="list-style-type: none"> <li>Strøm av/på</li> <li>Volum kontroll</li> <li>Touchscreen funksjons kontroll</li> <li>Leselys kontroll</li> <li>Lysstyrke kontroll</li> </ol> <p><b>POC-W212-x01D</b></p> <ol style="list-style-type: none"> <li>PCIe (x4) spor</li> <li>Strøm DC-inn</li> <li>2 x USB 2.0 port &amp; 2 x USB 3.0 port*</li> <li>VGA port</li> <li>HDMI-ut port</li> <li>2 x isolert Gigabyte Ethernet grensesnitt (RJ-45)</li> <li>1 x isolert RS-232 serie port</li> <li>1 x isolert RS-232/422/485 serie port</li> <li>Isøelektrisk terminal pin</li> <li>2 x USB 2.0 port*</li> <li>RW-DVD ROM</li> <li>Smartkort leser</li> </ol> <p><b>POC-W212-x11D (IP54 Version)</b></p> <ol style="list-style-type: none"> <li>PCIe (x4) slot</li> <li>Strøm DC-inn</li> <li>2 x USB 2.0 port &amp; 2 x USB 3.0 port*</li> <li>VGA port</li> <li>HDMI-out port</li> <li>2 x isolert Gigabyte Ethernet grensesnitt (RJ-45)</li> <li>1 x isolert RS-232 serie port</li> <li>1 x isolert RS-232/422/485 serie port</li> <li>Isøelektrisk terminal pin</li> </ol> <p>MERK: *USB-porter eller andre stasjoner med utskiftbare medier kan innebære en sikkerhetsrisiko.</p> <p>FORSIKTIG: Før du setter opp og bruker POC, se støttedokumentasjonen på vår hjemmeside - søk etter navn, det vil si, POC-W212. Rengjøringsinstruksjonene kan også finnes i dokumentasjonen</p> <p><a href="http://support.advantech.com.tw/support/new_default.aspx">http://support.advantech.com.tw/support/new_default.aspx</a></p>	<p><b>DANSK</b></p> <p><b>&lt;POC-W212&gt;</b></p> <ol style="list-style-type: none"> <li>Tænd/sluk</li> <li>Lydstyrkekontrol</li> <li>Kontrol til touchfunktion</li> <li>Kontrol til læselys</li> <li>Lysstyrkekontrol</li> </ol> <p><b>POC-W212-x01D</b></p> <ol style="list-style-type: none"> <li>PCIe (x4)-port</li> <li>DC-indgang</li> <li>2 x USB 2.0-port &amp; 2 x USB 3.0-port*</li> <li>VGA-port</li> <li>HDMI-udgang</li> <li>2 x Gigabit Ethernet (isoleret) RJ45</li> <li>1 x isoleret RS-232 serial port</li> <li>1 x isoleret RS-232/422/485 serial port</li> <li>Ækvipotentiel terminalpin</li> <li>2 x USB 2.0-port*</li> <li>RW-DVD ROM</li> <li>Smart card-læser</li> </ol> <p><b>POC-W212-x11D (IP54 Version)</b></p> <ol style="list-style-type: none"> <li>PCIe (x4)-port</li> <li>DC-indgang</li> <li>2 x USB 2.0-port &amp; 2 x USB 3.0-port*</li> <li>VGA-port</li> <li>HDMI-udgang</li> <li>2 x Gigabit Ethernet (isoleret) RJ45</li> <li>1 x isoleret RS-232 serial port</li> <li>1 x isoleret RS-232/422/485 serial port</li> <li>Ækvipotentiel terminalpin</li> </ol> <p>BEMÆRK: *USB-porte eller andre udskiftelige mediedrev kan udgøre en sikkerhedsrisiko.</p> <p>ADVARSEL: Før du begynder at bruge denne POC, læs venligst supportdokumentationen på vores hjemmeside - søg efter navnet fx POC-W212. Instruktioner for rengøring kan også findes i samme dokumentation.</p> <p><a href="http://support.advantech.com.tw/support/new_default.aspx">http://support.advantech.com.tw/support/new_default.aspx</a></p>
---	---	---	--	---	--	--	--	--	---	--

## General Views of the POC-W212

POC-W212-x01D



POC-W212-x11D (IP54 Version)




# POC-W212 Quick User Guide

## SAFETY INSTRUCTIONS

Strictly follow these Instructions for Use, please read these safety instructions carefully.

You are reminded to keep this User's Manual for later reference, and any use of the product requires full understanding and strict observation of all portions of these instructions. Observe all WARNINGS and CAUTIONS as rendered throughout this manual and on labels on the equipment.


Repair of the device may only be carried out by trained service personnel. Advantech recommends that a service contract be obtained with Advantech Service and that all repairs also be carried out by them. Otherwise the correct functioning of the device may be compromised.

**WARNING!**  **Because of the danger of electric shock, never remove the cover of a device while it is in operation or connected to a power outlet.**


If one of the following situations arises, have the equipment checked by service personnel:

- The power cord or plug is damaged.
- Liquid has penetrated the equipment.
- The equipment has been exposed to moisture.
- The equipment does not work well, or you cannot get it to work according to the user's manual.
- The equipment has been dropped and damaged.
- The equipment has obvious signs of breakage.


Disconnect this equipment from any AC outlet before cleaning. Use a damp cloth. Do not use liquid or spray detergents for cleaning and keep this equipment away from humidity.

**CAUTION!**  **To avoid short-circuits and otherwise damaging the device, do not allow fluids to come in contact with the device. If fluids are accidentally spilled on the equipment, remove the affected unit from service as soon as possible and contact service personnel to verify that patient safety is not compromised.**


Put this equipment on a reliable surface during installation. Dropping it or letting it fall may cause damage. For plug-in equipment, the power outlet socket must be located near the equipment and must be easily accessible.


**CAUTION!**  **To prevent overheating, it is recommended to install the unit in an upright position. Do not lie it flat on a table and do not cover the openings or place the device in direct sunlight or near radiant heaters.**

Make sure the voltage of the power source is correct before connecting the equipment to the power outlet. Position the power cord so that people cannot step on it. Do not place anything over the power cord. If the equipment is not used for a long time, disconnect it from the power source to avoid damage by transient over voltage.

**CAUTION!**  **Do not leave this equipment in an uncontrolled environment where the storage temperature is below -20°C (-4°F) or above 60°C (140°F). This may damage the equipment.**

If your computer clock is unable to keep accurate time or the BIOS configuration resets to default, please check the battery.


**CAUTION!**  **Do not replace the battery yourself. Please contact a qualified technician or your retailer.**

**CAUTION!**  **The computer is provided with a battery-powered real-time clock circuit. There is a danger of explosion if battery is incorrectly replaced. Replace only with same or equivalent type recommended by the manufacturer. Discard used batteries according to the manufacturer's instructions.**


Improper installation of VESA mounting can result in serious personal injury! VESA mount installation should be completed by a professional technician, please contact the service technician or your retailer if you need this service. The detailed installation procedure is specified in Appendix A.

## CLASSIFICATION:

- Supply Class I adapter
- No applied parts
- IP54
- Continuous operation
- Not AP or APG category

**WARNING!**  **This device is not suitable for use in the presence of flammable anesthetic mixtures with air, oxygen, nitrous oxide, or as a life support system.**

Maintenance: To properly maintain and clean the surfaces, use only the approved products or clean with a dry applicator.

**CAUTION!**  **When servicing the device, always use replacement parts that meet Advantech standards. Advantech Medical cannot warrant or endorse the safe performance of third-party replacement parts for use with our medical device.**

Make sure users do not come in contact with SIP/SOPs and the patient at the same time.

When connecting electrical devices, the operator is responsible for ensuring that the resulting system meets the requirements set forth by the following standards:

### EN 60601-1 (IEC 60601-1)

Medical electrical equipment

Part 1: General requirements for safety

### EN 60601-1-1 (IEC 60601-1-1)

Medical electrical equipment

Part 1-1: General requirements for safety

Collateral standard: Safety requirements for Medical electrical systems

### EN 60601-1-2 (IEC 60601-1-2)

Medical electrical equipment

Part 1-2: General requirements for safety

Collateral standard: Electromagnetic compatibility; Requirements and tests



**Medical Equipment**  
With respect to electrical shock,  
fire, and mechanical hazards only.  
In accordance with UL 60601-1,  
CAN/CSA C22.2 No. 601.1 and,  
IEC 60601-1

Accessory equipment connected to the analog and digital interfaces must be in compliance with the respective nationally harmonized IEC standards (i.e. IEC 60950 for data processing equipment, IEC 60065 for video equipment, IEC 61010-1 for laboratory equipment, and IEC 60601-1 for medical equipment). Furthermore all configuration should comply with the system standard IEC 60601-1-1. Anyone who connects additional equipment to the signal input or signal output is configuring a medical system, and is therefore responsible that the system complies with the requirements set forth in standard IEC 60601-1-1. The unit is for exclusive interconnection with IEC 60601-1 certified equipment in the patient environment and IEC 60XXX certified equipment outside of the patient environment. If in doubt, consult the technical services department or your local representative.

## FCC Class B

This equipment has been tested and found to comply with the limits for a Class B digital device, pursuant to Part 15 of the FCC Rules.

These limits are designed to provide reasonable protection against harmful interference when the equipment is operated in a residential environment. This equipment generates, uses, and can radiate radio frequency energy. If not installed and used in accordance with this user's manual, it may cause harmful interference to radio communications.

Note that even when this equipment is installed and used in accordance with this user's manual, there is still no guarantee that interference will not occur. If this equipment is believed to be causing harmful interference to radio or television reception, this can be determined by turning the equipment on and off. If interference is occurring, the user is encouraged to try to correct the interference by one or more of the following measures:


- Reorient or relocate the receiving antenna.
- Increase the separation between the equipment and the receiver.
- Connect the equipment to a power outlet on a circuit different from that to which the receiver is connected.
- Consult the dealer or an experienced radio/TV technician for help.

**Caution!**  **Any changes or modifications made to the equipment which are not expressly approved by the relevant standards authority could void your authority to operate the equipment.**

## List of Accessories

Before installing your Point-of-Care Terminal, ensure that the following materials have been received:

- POC-W212 series Point-of-Care Terminal
- Accessories for POC-W212
  - CD-ROM disc-"Drivers, User's manual and Utilities"
  - Mounting kits and packet of screws
  - VESA mounting note x1
  - China RoHs note x1

**Caution!**  **No user serviceable parts inside, refer servicing to qualified personnel. Only the accessories indicated on the list of accessories above have been tested and approved to be used with the device. It is strongly recommended that only these accessories be used in conjunction with the specific device. Otherwise the correct functioning of the device may be compromised.**

## Additional Information and Assistance

Contact your distributor, sales representative, or Advantech's customer service center for technical support if you need additional assistance. Please have the following information ready before you call:

Product name and serial number

Description of your peripheral attachments

Description of your software (operating system, version, application software, etc.)

A complete description of the problem

The exact wording of any error messages

This equipment is a source of electromagnetic waves. Before use please make sure that there are not EMI sensitive devices in its surrounding which may otherwise malfunction.

Manufacturer

Advantech Co., Ltd.

No.1, Alley 20, Lane 26, Rueiguang Road Neihu District, Taipei,

Taiwan 11481, R.O.C.

TEL: (02) 2792-7818

Distributed in Europe by:

Advantech Europe Service Center

Ekkersrijt 5708 Science Park, Eindhoven 5692 EP Son, The Netherlands

Phone: 31-40-267-7000

Visit the Advantech websites at [www.advantech.com](http://www.advantech.com) or [www.advantech.com.tw](http://www.advantech.com.tw) if you need more information.

Printed in Netherland

February 2015