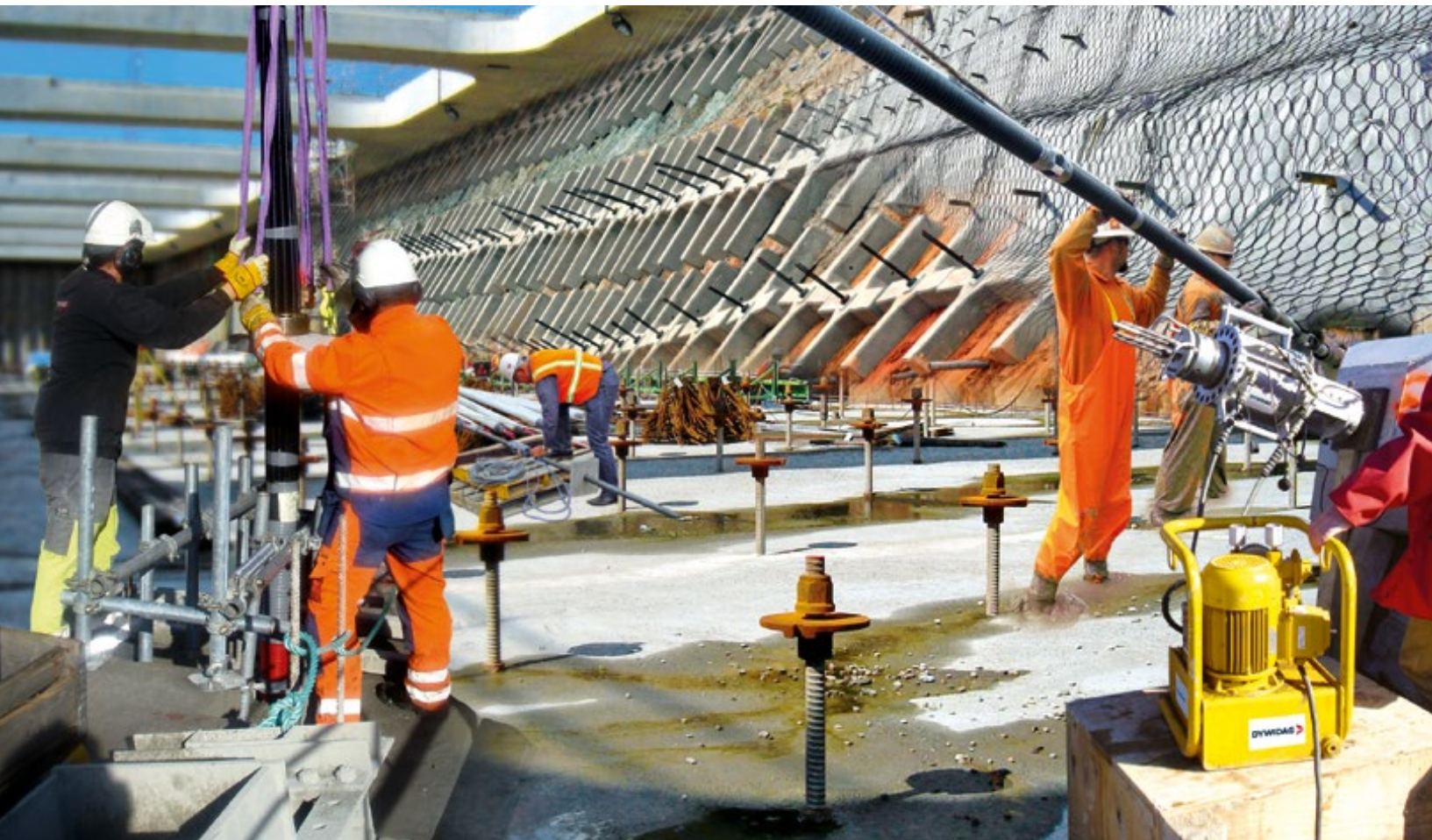


DYWIDAG Geotechnical Product Range



Proven Quality



Punctual Supply



Excellent Service



About Us	4
Fields of Application	6
DYWIDAG Threadbar Anchors	
Basic Concept & Key Features	8
Technical Data	9
Permanent Anchors & Temporary Anchors.....	10
Removable Temporary Anchors.....	11
References.....	12
DYWIDAG Strand Anchors	
Basic Concept & Key Features	14
Technical Data	15
Permanent Anchors & Temporary Anchors.....	16
Removable Temporary Anchors.....	17
Permanent Anchors with Double Sheathing – TWIN-Corr System.....	17
Electrically Testable Permanent Anchors – El-Iso System	18
Permanent Anchors with Multiple Head.....	18
References.....	19
GEWI® Pile / GEWI® Plus Pile	
Basic Concept & Key Features	22
Technical Data	23
Standard Corrosion Protection (SCP).....	24
GEWI®-Multibar Pile	24
Double Corrosion Protection (DCP).....	25
References.....	26
DYWIDAG Soil Nails	
Basic Concept & Key Features	28
Technical Data	29
Permanent & Temporary Soil Nails.....	30
References.....	31
DYWIDAG Rock Bolts	
SN Anchors & Expansion Shell Anchors.....	32
References.....	33
DYWI® Drill Hollow Bar System	
Basic Concept & Key Features	34
Temporary Bolt & Semi Permanent Bolt.....	35
DYWI® Micropile for Temporary or Permanent Use	35
Technical Data	35
References.....	36
DYWIDAG Tie Rods	
Basic Concept & Key Features	38
Corrosion Protection Systems	39
Technical Data	39
Tie Rod Connections.....	40
Waler Bolt	41
References.....	42
The GEWI® System – Connecting Reinforcement	
Basic Concept & Key Features	44
Technical Data.....	45
The FLIMU® System – Connecting Reinforcement	
Basic Concept	46
Technical Data & Jacks	46
References.....	47
DYWIDAG Equipment	
DYWIDAG Jacks, Technical Data.....	48
Hollow-Piston CFRP Cylinders, Technical Data	49
Tensioning Accessories	50
Lift-Off Device.....	50
Force / Displacement Measurement	52
Torque Equipment, Technical Data	53



The origins of DYWIDAG date back to the founding of Dyckerhoff & Widmann AG (DYWIDAG) in 1865, and thus, back to the beginning of industrial construction. As a recognized market leader in Geotechnics in Germany and Europe, DYWIDAG offers all established systems in specialized civil engineering. The product range includes ground anchors, micropiles and soil and rock bolts. *GEWI®* and *GEWI® Plus* Threadbars that are threadable along their entire lengths, tensioning bars, DYWI® Drill Hollow Bars and prestressing steel strands that are used as load-bearing tendons.

Thanks to our long-term experience in the development, approval, production and application of geotechnical products, we can guarantee you as our clients high quality products and systems that fulfill the highest standards of quality.

As leaders in innovation, we have been offering you a comprehensive product range of technically sophisticated solutions for decades. We promote new technical developments and research projects. Global patent applications are proof of our leading position and form the foundation of our successful work – to your benefit.



Customized special solutions and adaptations of our products are developed by competent and experienced engineers in our technical specialist departments just-in-time in a practice-oriented way.

As permanent members in the relevant committees of experts and standards, we continuously advance technical developments as well as the safety and application of our products and systems. Wherever required, we also offer support for approvals in individual cases and for applications and designs that meet newly introduced European norms. In addition, we also provide technical expertise and reports.

We maintain a large variety of building-authority approvals and are continuously expanding our comprehensive product range.



About Us

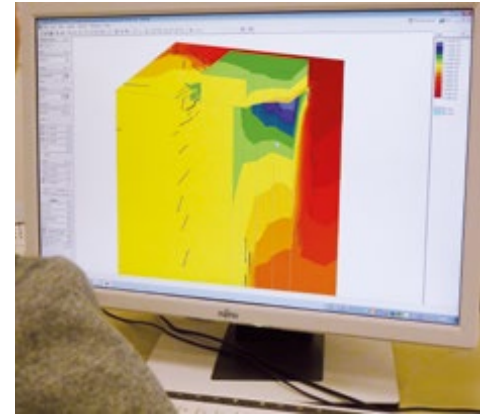
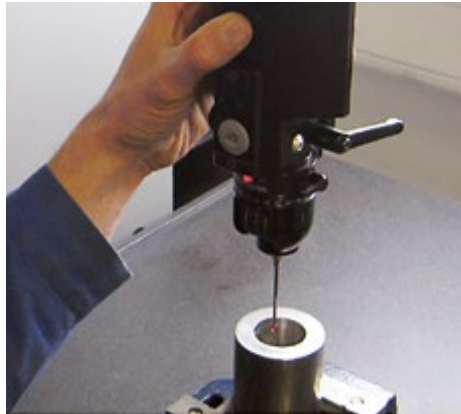
Furthermore, we provide complete equipment technology for a safe and trouble-free installation. We rent and sell equipment such as tensioning jacks, grout mixers and torque equipment with corresponding accessories. As a matter of course, our comprehensive services also include the professional calibration, maintenance and repair of the equipment as well as project specific special solutions.

We provide advice to participating planners and engineers during project execution and we are happy to assist you with CAD drawings and dimensioning aids. On demand, we train site personnel on site and support our clients during installation, test loading and approval testing.

Our highly qualified and experienced employees provide competent, quick and reliable support throughout your project.

At our facility in Pasching/Linz, Austria, we produce all our high-quality hollow bars for self-drilling systems under the brand name DYWI® Drill for civil engineering and tunneling.

DYWIDAG - Your independent System Supplier and competent Partner for Civil Engineering.



Fields of Application

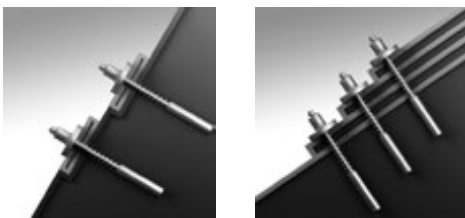


Excavations

Large and deep excavations are becoming more and more important especially in intra-urban areas, and ground anchors have proven themselves particularly useful in this extremely challenging civil engineering application. Very often, they are the only way to support excavations. Furthermore, anchors are often the most economical solution in comparison to steel or concrete cross braces: Unrestricted access to the excavation, uninterrupted and obstruction-free crane operation, no risk of buckling and almost limitless options in terms of anchor forces.

If required, ground anchors can be removed from the soil after completing civil engineering work in order not to interfere with subsequent site activities. Due to their being an active system, ground anchors are tensioned so that deformations of the excavation confinement are actively managed. Controlled load application is ensured before excavation is begun so that construction work is safe for all parties involved as well as for adjacent buildings. In excavations where deformations are irrelevant, passive systems such as soil nails or tension piles can be used.

- Bar and Strand Anchors
- GEWI® Soil and Rock Bolts
- DYWI® Drill Soil and Rock Bolts



Slope Stabilization and Sidehill Cuts

The development and expansion of infrastructure – and, more specifically,

the construction of high-speed corridors – poses significant requirements in terms of route planning. The expansion of motorways by adding more lanes often requires comprehensive earth work and results in high, steep embankments in the cut slopes and hills. The faces of slope stabilization structures – e.g. shotcrete construction or walls consisting of prefabricated concrete segments – are often anchored in the soil using soil nails.

Rock fall protection mesh can also be fixed to the rock using this technique. Soil nailing stabilizes and consolidates the complete soil. The entire soil wedge including the slip circle is nailed and secured against tilting, sliding, gliding, shear failure and loss of position. Passive Systems are usually used in this case because deformations of the supporting system are irrelevant in most cases – the soil nails are only loaded when movements in the slope or at the face start. At full load, the earth pressure is completely absorbed and transferred by the solid nails.

If deformations are important in slope stabilization projects, an active system such as ground anchors can be chosen.

- GEWI® Soil and Rock Bolts
- DYWI® Drill Soil and Rock Bolts
- Bar and Strand Anchors



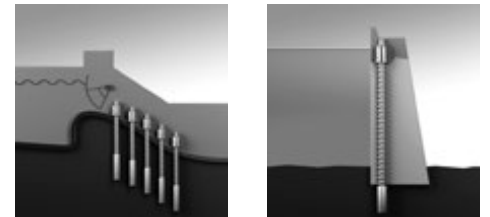
Foundations and Underpinning

Individual foundations, strip foundations and foundation slabs are increasingly stabilized by micropiles that transfer loads safely and sustainably into the load-bearing soil. The fact that they can be installed by very small space saving drilling equipment is one of the decisive reasons for using micropiles in such structures. Micropile foundations can be used wherever access

is difficult; this includes narrow basements, the space underneath bridge decks or where installation from pontoons is necessary. The light weight and the ensuing required ground level also play a part. A posterior reinforcement and strengthening of foundations or load redistribution can thus be carried out quickly and easily.

This is achieved by the excellent relation between the borehole diameter and the transferred force. When used as skin friction piles, micropiles with their unmatched high steel ratio can transfer forces in boreholes up to 300mm in diameter and in depths of 80m and more into the subsoil. Additionally, GEWI® and GEWI® Plus Piles can transfer tensile, compressive and alternating loads. Thus, construction stages or crane foundations can be anchored or founded without any problems.

- GEWI® and GEWI® Plus Piles



Hydraulic, Power Plant and Embankment Construction

New criteria for assessment and higher maximum water levels pose higher requirements for retaining walls and dams. Existing structures must comply with completely new requirements for stability caused by higher freezing pressures, updated earthquake load zones and new requirements in terms of impermeability and position stability or stability against overturning.

For reinforcing and simultaneous rehabilitation, this challenging increase in load bearing capacity can often be reached by a massive anchoring of the dam structure. In this case, boreholes are drilled vertically from the dam crest, and the dam wall is anchored at the bottom using ground anchors. Lift-off suction power can also be overcome by anchoring overflow structures and stilling basins permanently into the soil using anchors or tensile piles.

Fields of Application

Depending on water levels, different load conditions can also be safely absorbed by anchors (in case of tensile load only) or micropiles (even for alternating loads) at retaining dams.

Caissons consisting of driven sheet piles are built for cofferdams or new quays. They are assembled at the head using tie rod systems and thus stabilized against uplift during sand filling and against subsequent loads resulting from dead weight and traffic.

- Soil and Rock Bolts
- Bar and Strand Anchors
- GEWI® and GEWI® Plus Piles
- Tie Rods

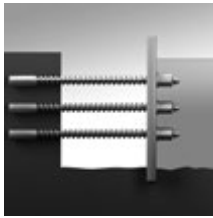


Uplift Control

Uplift occurs in a large variety of foundation structures independent of the existing water level or by variable superimposed loads. The bottom slab of construction excavations (underwater concrete or high-pressure injection slabs) must be secured temporarily during the period of construction. This also applies to trough structures such as descending tunnel entrances for subway construction. Tensile piles are increasingly used as an economic alternative to mass concrete. If position accuracy is particularly important – for instance, during the construction of dry docks – tensioned anchors can be used. The principle advantage of this system construction method results from shortened construction times due to less excavation work and a reduction of bottom slab thicknesses.

However, alternating loads can result from pile uplift control such as inspection work in settling basins. In cases like these, loads can be economically changed from compression to tension without any problems

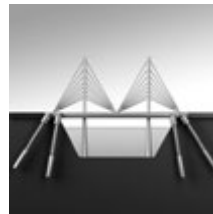
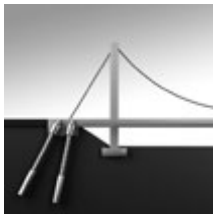
- GEWI® and GEWI® Plus Piles
- Bar and Strand Anchors



Tie Rods and Braces

Tie rod systems are used in all cases in which two or more points of a structure must be stabilized relative to one another. Earth filled dams that are laterally stabilized by driven sheet piles are stabilized by tiebacks at the head. Stabilizing cross ties with remarkable tensile force capacity can also be realized. Drifting horizontal forces in individual or strip foundations can also be transferred using tie rods.

- DYWIDAG GEWI®, GEWI® Plus and Y1050H prestressing steel Threadbar
- Strands



Anchoring of Tensile Loads

Tensile loads in soil can be economically tied back using ground anchors or tensile piles. Large, heavy and noticeable counter balances or retaining structures can be eliminated because tensile loads are directly transferred into the soil so that only unobtrusive transition structures and connections remain at the surface. Depending on the characteristics of the load-bearing soil strata, and the method of excavation, different varieties of civil engineering systems can be chosen. The characteristics of the ground used for anchorage are also irrelevant - whether rock, non-cohesive soils such as sand or gravel, cohesive soils such as clay or silt, organic soils with and without groundwater or even permafrost and Antarctic ice -

DYWIDAG Systems have permanently proven their aptitude in terms of function and economy.

- GEWI® and GEWI® Plus Piles
- Bar and Strand Anchors
- GEWI® Soil and Rock Bolts
- DYWI® Drill Soil and Rock Bolts



Stability against Overturning

Structures that are at risk of tipping such as masts, towers or wind generators can be permanently stabilized using micropiles. As a fully grouted, passive system, micropiles can accommodate tensile, compression and alternating loads. To minimize settlements, deformations and movements, actively tensioned ground anchors can also be used to transfer tensile forces. Anticipated compression forces are absorbed via a stiff shallow foundation or via additional compression piles. Thus, a build-up of forces and movements can be minimized or prevented. The structures can even be further reinforced at a later stage if the foundation shows early stages of overload or if exterior impact is more severe (wind, earthquakes, snow, etc.).

- Bar and Strand Anchors
- GEWI® and GEWI® Plus Piles

DYWIDAG Threadbar Anchors

Basic Concept

DYWIDAG Threadbar Anchors are an actively tensioned ground anchor system and correspond to DIN 4125 and EN 1537 regulations. Due to the active tensioning, anticipated deformations of the system and deformations at the civil engineering measure are minimized or entirely eliminated. This applies both to temporary structures (e.g. temporary pit support systems) and permanent tie backs.

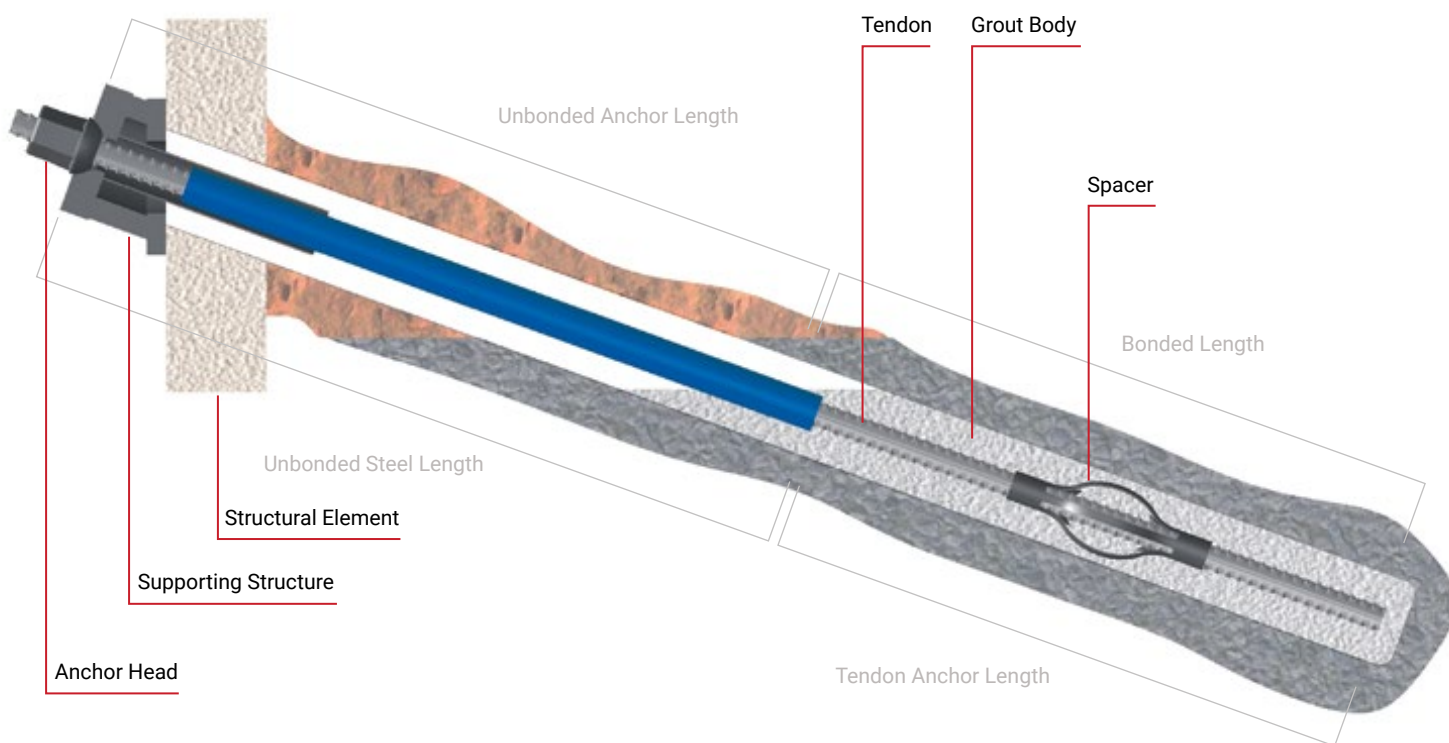
By definition, an anchor consists of three main components:

- **Bonded length:** The anchor is fixed in the borehole using grout (cement mortar) and can transfer the forces to the load-bearing soil via bond and skin friction
- **Unbonded length:** The bar is uncoupled from the borehole using a plain tube (sheathing) so that it can freely extend in the unbonded length. This way, tension can be applied to the anchor system
- **Anchor head:** The anchor head transfers the anchor force to the substructure and thus to the structure that needs to be anchored

Once the grout has sufficiently hardened, the load bearing capacity of each anchor is tested during an approval test.

If required, anchors can be supplied retensioned or detensionable. Permanent control of anchor forces can be realized by installing load cells. Alternatively, permanent controls can also be carried out at the anchor head or in the borehole using the contactless force measuring system DYNA Force® that has been specially developed together with DWIDAG.

Bar Anchor Drawing



Fields of Application

- Intra-urban construction
- Excavations (deformation resistant)
- Tiebacks
- Rock and slope stabilization
- Uplift control
- Positional stability
- Dam construction
- Ascending anchors

Key Features

- Threadbars with proven coarse *GEWI*® Thread that is suitable for on-site use along the entire length; lengths can be adjusted on site without any problems using the appropriate accessories and equipment
- Various steel grades
 - High quality tensioning bars for a good force / borehole ratio
 - Robust, weldable *GEWI*® Bar
 - *GEWI*® Plus Bars for highest wear
- Variable anchor head and angle compensation designs
- Easy handling: tensioning, retensioning or detensioning thanks to screwable anchorage
- Easy overhead installation – for instance in cavern roofs – due to the high rigidity of the bar system

Additional Information

Approval DIBt Z-20.1-17 / DIBt Z-34.11-225

DYWIDAG Threadbar Anchors

Technical Data

DYWIDAG Y1050H Prestressing Steel

Nominal diameter \emptyset	Yield strength / tensile strength $f_{p0.1k}/f_{pk}$	Cross- sectional area A	Load at yield $F_{p0.1k}$	Ultimate load F_{pk}	Weight	Weight DCP	Approval
[mm]	[N/mm ²]	[mm ²]	[kN]	[kN]	[kg/m]	[kg/m]	
26.5	950/1,050	552	525	580	4.48	7.4	○
32	950/1,050	804	760	845	6.53	9.8	○
36	950/1,050	1,018	960	1,070	8.27	12.3	○
40	950/1,050	1,257	1,190	1,320	10.21	14.0	○
47	950/1,050	1,735	1,650	1,820	14.10	20.0	

GEWI® B500B Threadbar

Nominal diameter \emptyset	Yield strength / tensile strength $f_{p0.2k}/f_{tk}$	Cross- sectional area A	Load at yield F_{yk}	Ultimate load F_{tk}	Weight	Weight DCP	Approval
[mm]	[N/mm ²]	[mm ²]	[kN]	[kN]	[kg/m]	[kg/m]	
32	500/550	804	402	442	6.31	9.5	
36	500/550	1,020	510	560	8.01	11.9	
40	500/550	1,257	628	691	9.86	13.6	△
43	500/550	1,452	726	799	11.40	19.8	
50	500/550	1,963	982	1,080	15.41	21.0	△
57.5	555/700	2,597	1,441	1,818	20.38	27.1	
63.5	555/700	3,167	1,758	2,217	24.86	32.4	△
75	500/550	4,418	2,209	2,430	34.68	38.0	

GEWI® Plus S670/800 Threadbar

Nominal diameter \emptyset	Yield strength/ tensile strength $f_{p0.2k}/f_{tk}$	Cross- sectional area A	Load at yield F_{yk}	Ultimate load F_{tk}	Weight	Weight DCP	Approval
[mm]	[N/mm ²]	[mm ²]	[kN]	[kN]	[kg/m]	[kg/m]	
18	670/800	254	170	204	2.00	5.4	
22	670/800	380	255	304	2.98	6.5	
25	670/800	491	329	393	3.85	7.0	
28	670/800	616	413	493	4.83	8.6	
30	670/800	707	474	565	5.55	9.0	
35	670/800	962	645	770	7.55	11.3	
43	670/800	1,452	973	1,162	11.40	15.8	
50	670/800	1,963	1,315	1,570	15.40	22.8	
57.5	670/800	2,597	1,740	2,077	20.38	30.0	
63.5	670/800	3,167	2,122	2,534	24.86	32.4	
75	670/800	4,418	2,960	3,534	34.68	38.0	

○ Z-20.1-17 DYWIDAG Threadbar Anchor Y1050H Prestressing Steel

△ Z-34.11-225 DYWIDAG GEWI® Bar

Anchor Head for Permanent Anchors



Anchor Head with Angle Compensation



Additional Information

Approval DIBt Z-20.1-17 / DIBt Z-34.11-225

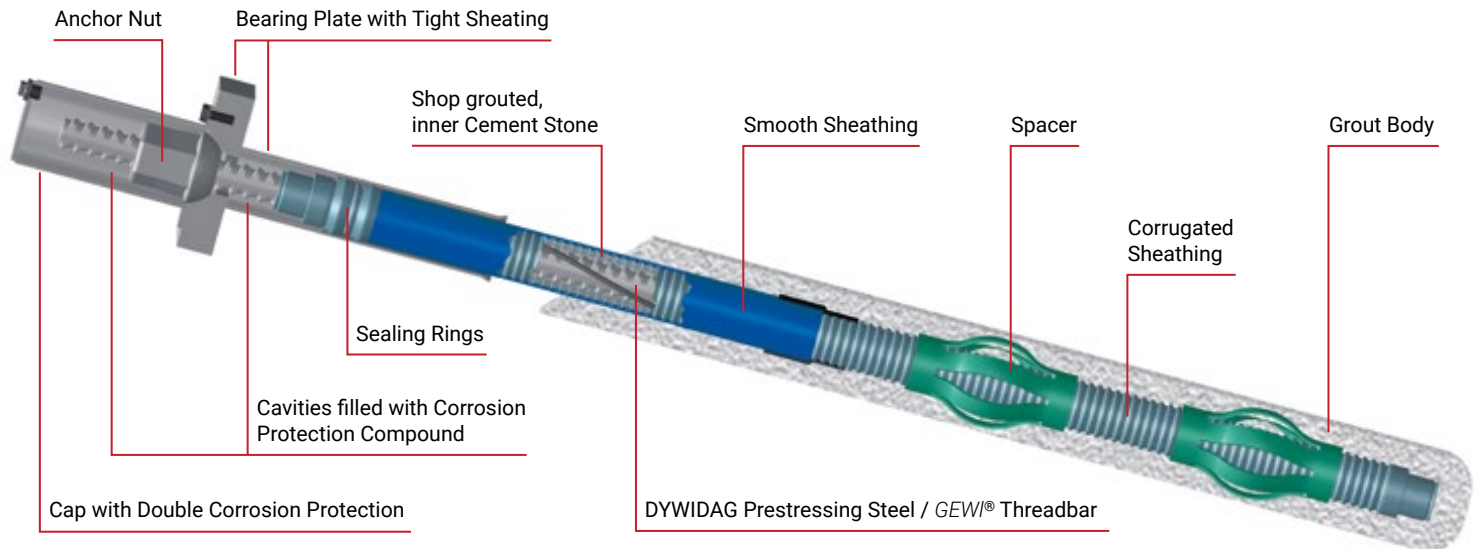
DYWIDAG Threadbar Anchors

Permanent Anchors

- Long-lasting system for permanent use (more than 100 years)
- Approved, Double Corrosion Protection (DCP) achieved by grouted corrugated sheathing with controlled crack width
- Anchor components in accordance with ETA 05/0123 (bar post-tensioning system)
- Approved, permanently sealed anchor head design with robust gaskets and caps
- Various corrosion protection coatings for head components depending on intended use

Fields of Application

- Permanent tiebacks
- Uplift control
- Positional stability
- Dam construction
- Rock and slope stabilization

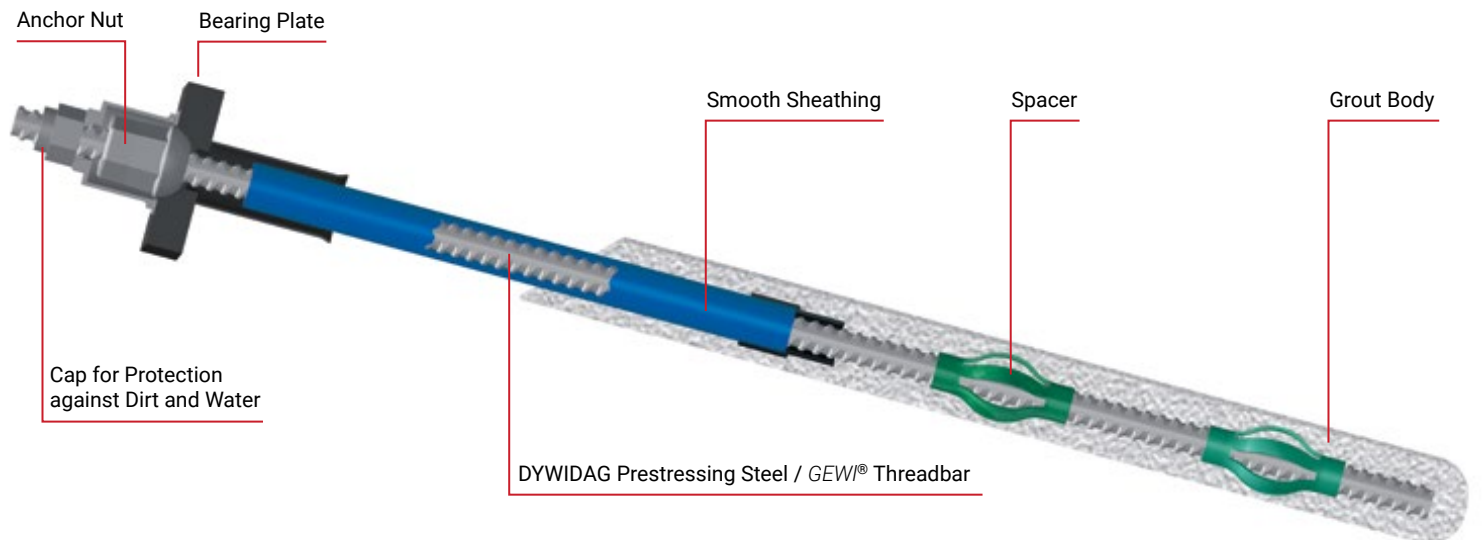


Temporary Anchors

- Temporary system for preliminary use of up to two years
- Extended use after prior agreement of involved experts
- Approved anchor components in accordance with ETA 05/0123 (Bar Post-Tensioning System)

Fields of Application

- Excavations
- Temporary tiebacks
- Stabilization of states of construction



Additional Information

Approval DIBt Z-20.1-17 / DIBt Z-34.11-225

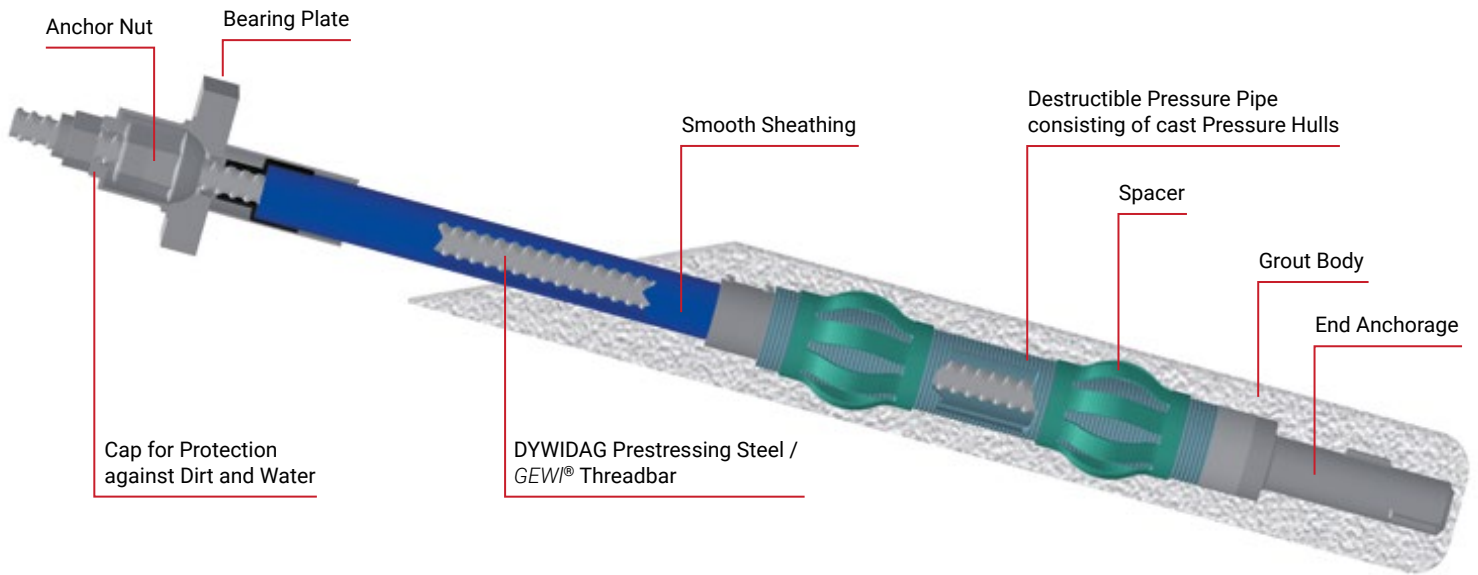
DYWIDAG Threadbar Anchors

Temporary Bar Anchor with Completely Removable Tendon

- Completely removable anchor – the cast compression bodies with predetermined breaking points are the only thing that remains in the soil. They do not obstruct civil engineering work carried out at a later stage (pile driving, excavation, TBM etc.)
- Easy and safe anchor removal: The steel tendon is unscrewed from the end anchorage
- Pressure pipe consisting of patented cast hulls ensures transfer of forces from the tendon to the borehole grout
- Pressure pipe lengths can be adapted to soil conditions on site

Fields of Application

- Excavations
- Temporary tiebacks
- Stabilization of states of construction

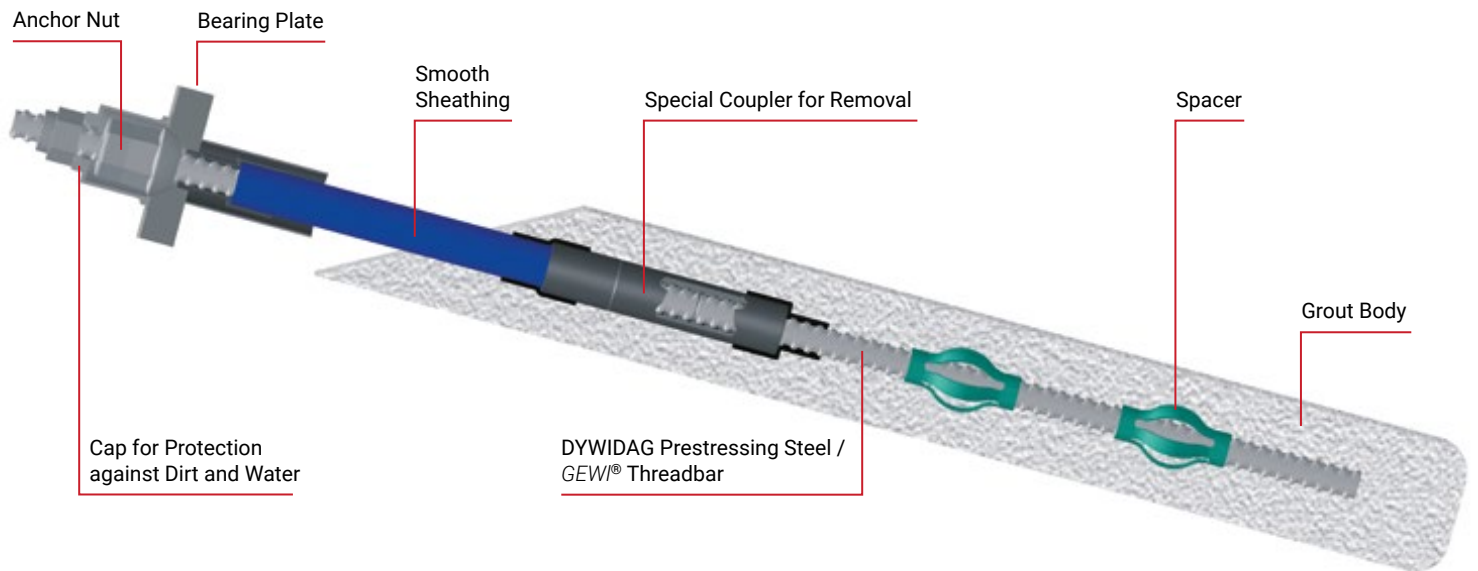


Temporary Anchor with Removable Free Length

- Partly removable anchor – free length can be removed
- Easy and safe anchor removal: The steel tendon can be unscrewed from the special coupler in the transition from bonded length to unbonded length
- Slender system – small boreholes can be realized

Fields of Application

- Excavations
- Temporary tiebacks
- Stabilization of states of construction



Additional Information

Approval DIBt Z-20.1-17 / DIBt Z-34.11-225

Construction of a Rock Fall Gallery, Austria



Owner Federal State of Tyrol, Federal Road Administration, Austria +++ **Contractor** Joint Venture, consisting of Alpine, Hilti & Jehle, Austria +++
Engineers IBPA Engineers Passegger-Autengruber ZT-GmbH, Austria



DYWIDAG Unit DYWIDAG-Systems International GmbH, Austria

DYWIDAG Services Production and Supply

DYWIDAG Products supplied 168, double corrosion protected \varnothing 63.5mm *GEWI® Plus* Piles and of \varnothing 50mm *GEWI® Plus* Micropiles in lengths of 8 and 15m

GEWI® Plus Tie Bars Support Retaining Walls, Great Britain



Owner Tesco Stores Limited and Network Rail, both Great Britain +++ **Contractor** Costain Group PLC, Great Britain +++
Engineers Engineering Peter Brett Associates LLP, Great Britain



DYWIDAG Unit DYWIDAG-Systems International Ltd., Great Britain

DYWIDAG Services Production, Supply and Installation

DYWIDAG Products supplied 108, \varnothing 57.5mm *GEWI® Plus* Tie Bars; 60, \varnothing 43mm *GEWI® Plus* Tie Bars; 336, Anchor Plates with Wedges and Domed Nuts

GEWI® Anchors stabilize Flood Control Structure at Hamburg's most famous Harbor Promenade



Owner Freie und Hansestadt Hamburg, Landesbetrieb Straßen, Bruecken und Gewaesser, Germany +++ **General Contractor** Joint Venture, consisting of Bilfinger Construction GmbH and Hochtief Solutions AG, both Germany +++ **Subcontractor** Neidhardt Grundbau GmbH, Germany +++ **Architect** Zaha Hadid LTD Architects, Great Britain +++ **Consulting Engineers** Grundbauingenieure Steinfeld und Partner GbR, Germany +++ **Engineering** Ingenieurbüro GRASSL GmbH, Germany



DYWIDAG Unit DYWIDAG-Systems International GmbH, BU Geotechnics, Germany
DYWIDAG Services Production, supply, technical support, rental of equipment
DYWIDAG Products supplied 270 double corrosion protected, 63.5mm Ø GEWI® Anchors

Rehabilitation of a Dry Dock using DYWIDAG Systems, France



Owner DCNS, Lorient, France +++ **Contractor** SEMEN TP, France

DYWIDAG Unit DSI-Artéon, France
DYWIDAG Scope Supply of 32 Ø 75mm DYWIDAG Bar Anchors, of 6 Ø 40mm DYWIDAG Bar Anchors and of 33 preassembled Ø 40mm DYWIDAG Bar Anchors, rental of equipment, post-tensioning work, technical assistance

DYWIDAG Strand Anchors

Basic Concept

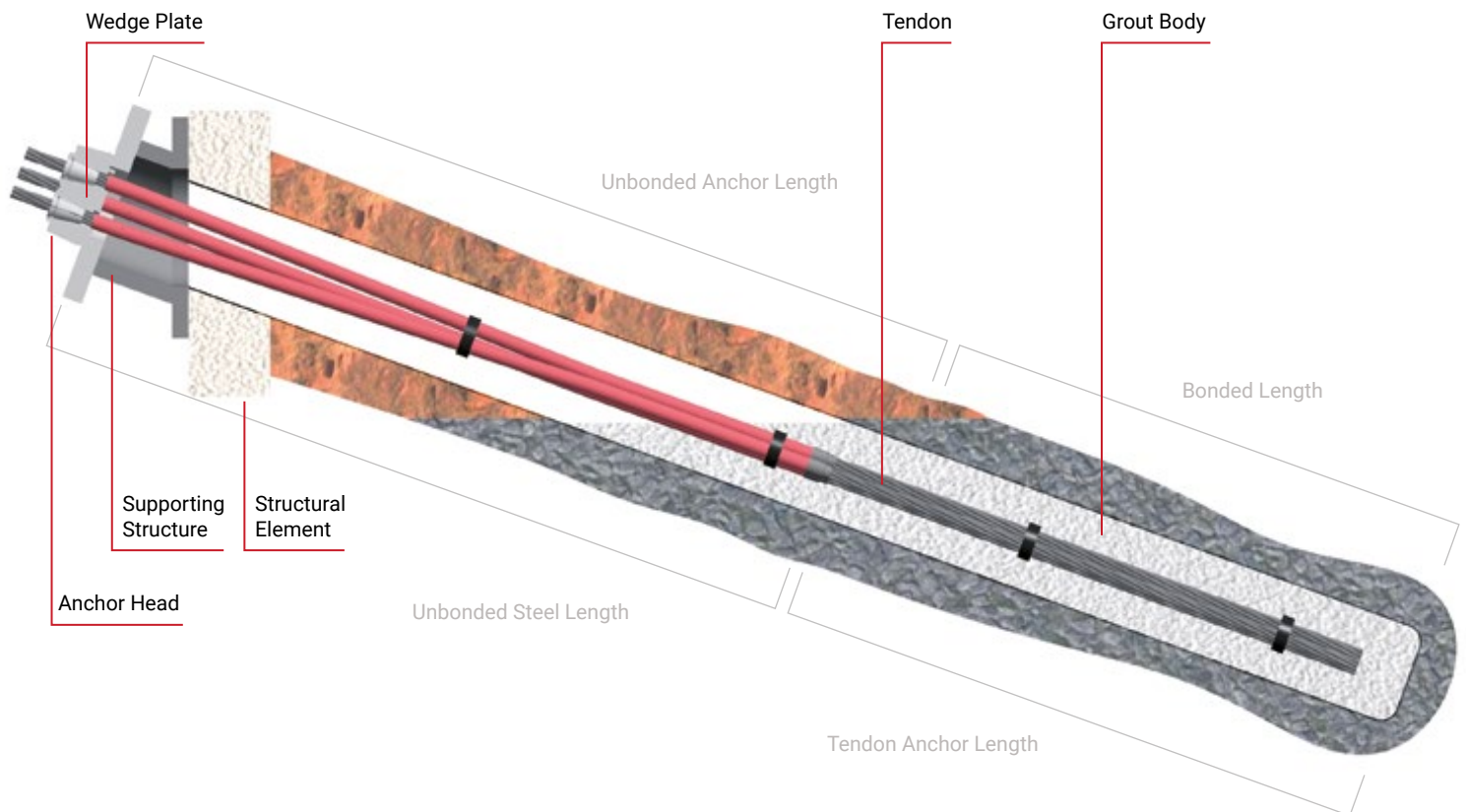
DYWIDAG Strand Anchors are an actively tensioned ground anchor system and correspond to DIN 4125 and EN 1537 specifications. Tensioning minimizes or eliminates anticipated deformations of the system and deformations at the civil engineering measure. This applies both to temporary structures (e.g. pit support systems) and permanent tie backs. The strand anchors are produced with double corrosion protection (DCP): each individual strand is covered by corrosion protection compound and inserted into an individual duct in the factory. As long as the grout used for anchoring is load-bearing, the anchor force is unlimited because the number of strands that can be combined in the anchorage is variable at will.

By definition, an anchor consists of three main components:

- **Bonded length:** The anchor is fixed in the borehole using grout (cement mortar) and can transfer the forces to the load-bearing soil via bond and skin friction
- **Unbonded length:** Each strand is uncoupled from the borehole using individual ducts so that it can freely extend in the unbonded length. This way, tension can be applied to the anchor system
- **Anchor head:** The anchor head transfers the anchor force to the substructure and thus to the structure that needs to be anchored

Once the grout has sufficiently hardened, the load bearing capacity of each anchor is tested during an approval test.

If required, anchors can be supplied retensioned or detensionable. Permanent control of anchor forces can be realized by installing load cells. Alternatively, permanent controls can also be carried out at the anchor head or in the borehole using the contactless force measuring system DYNA Force® that has been specially developed together with DYWIDAG.



Fields of Application

- Excavations (deformation resistant)
- Tiebacks
- Uplift control
- Positional stability
- Rock stabilization

Key Features

- Large degree of flexibility: Force, length, transport, installation
- There are practically no restrictions in terms of length – 150m
- Small pack size for transportation
- Amount of required space is very small during installation
- Retensioning or detensioning thanks to exterior thread at the wedge plates
- Permanent strand anchor can be supplied in many variations (standard, El-Iso, TWIN-Corr)

Additional Information

Approval DIBt Z-20.1-53 / DIBt Z-20.1-64

DYWIDAG Strand Anchors

Technical Data

DYWIDAG Prestressing Steel, 140 mm² Ø 15.3 mm (0.6") Strand

Number	Cross-sectional area A [mm ²]	Weight [kg/m]	Y1770 Standard			Y1860 High Grade		
			Load at yield	Ultimate load	Approval	Load at yield	Ultimate load	Approval
			F _{p0,1k} [kN]	F _{pk} [kN]		F _{p0,1k} [kN]	F _{pk} [kN]	
1	140	1.18	218	248	○	229	260	○
2	280	2.28	437	496	○ X	459	521	○ X
3	420	3.38	655	743	○ X	689	781	○ X
4	560	4.48	874	991	○ X	918	1,042	○ X
5	700	5.58	1,092	1,239	○ X	1,148	1,302	○ X
6	840	6.68	1,310	1,487	○ X	1,378	1,562	○ X
7	980	7.78	1,529	1,735	○ X	1,607	1,823	○ X
8	1,120	8.88	1,747	1,982	○ X	1,837	2,083	○ X
9	1,260	9.98	1,966	2,230	○ X	2,066	2,344	○ X
10	1,400	11.07	2,184	2,478	○ X	2,296	2,604	○ X
11	1,540	12.17	2,402	2,726	○ X	2,526	2,864	○ X
12	1,680	13.27	2,621	2,974	○ X	2,755	3,125	○ X
13	1,820	14.37	2,839	3,221	○	2,985	3,385	○
14	1,960	15.47	3,058	3,469	○	3,214	3,646	○
15	2,100	16.57	3,276	3,717	○	3,444	3,906	○
16	2,240	17.67	3,494	3,965	○	3,674	4,166	○
17	2,380	18.77	3,713	4,213	○	3,903	4,427	○
18	2,520	19.87	3,931	4,460	○	4,133	4,687	○
19	2,660	20.97	4,150	4,708	○	4,362	4,948	○
20	2,800	22.06	4,368	4,956	○	4,592	5,208	○
21	2,940	23.16	4,586	5,204	○	4,822	5,468	○
22	3,080	24.26	4,805	5,452	○	5,051	5,729	○

DYWIDAG Prestressing Steel, 150 mm² Ø 15.7 mm (0.62") Strand

Number	Cross-sectional area A [mm ²]	Weight [kg/m]	Y1770 Standard			Y1860 High Grade		
			Load at yield	Ultimate load	Approval	Load at yield	Ultimate load	Approval
			F _{p0,1k} [kN]	F _{pk} [kN]		F _{p0,1k} [kN]	F _{pk} [kN]	
1	150	1.26	234	266	○	246	279	○
2	300	2.44	468	531	○ X	492	558	○ X
3	450	3.62	702	797	○ X	738	837	○ X
4	600	4.79	936	1,062	○ X	984	1,116	○ X
5	750	5.97	1,170	1,328	○ X	1,230	1,395	○ X
6	900	7.15	1,404	1,593	○ X	1,476	1,674	○ X
7	1,050	8.33	1,638	1,859	○ X	1,722	1,953	○ X
8	1,200	9.50	1,872	2,124	○ X	1,968	2,232	○ X
9	1,350	10.68	2,106	2,390	○ X	2,214	2,511	○ X
10	1,500	11.86	2,340	2,655	○ X	2,460	2,790	○ X
11	1,650	13.04	2,574	2,921	○ X	2,706	3,069	○ X
12	1,800	14.21	2,808	3,186	○ X	2,952	3,348	○ X
13	1,950	15.39	3,042	3,452	○	3,198	3,627	○
14	2,100	15.47	3,276	3,717	○	3,444	3,906	○
15	2,250	16.57	3,510	3,983	○	3,690	4,185	○
16	2,400	17.75	3,744	4,248	○	3,936	4,464	○
17	2,550	18.92	3,978	4,514	○	4,182	4,743	○
18	2,700	20.10	4,212	4,779	○	4,428	5,022	○
19	2,850	21.28	4,446	5,045	○	4,674	5,301	○
20	3,000	22.46	4,680	5,310	○	4,920	5,580	○
21	3,150	23.63	4,914	5,576	○	5,166	5,859	○
22	3,300	24.81	5,148	5,841	○	5,412	6,138	○

○ Z-20.1-53 SUSPA Rock Anchors

× Z-20.1-64 SUSPA Compact Anchors

Additional Information

Approval DIBt Z-20.1-53 / DIBt Z-20.1-64

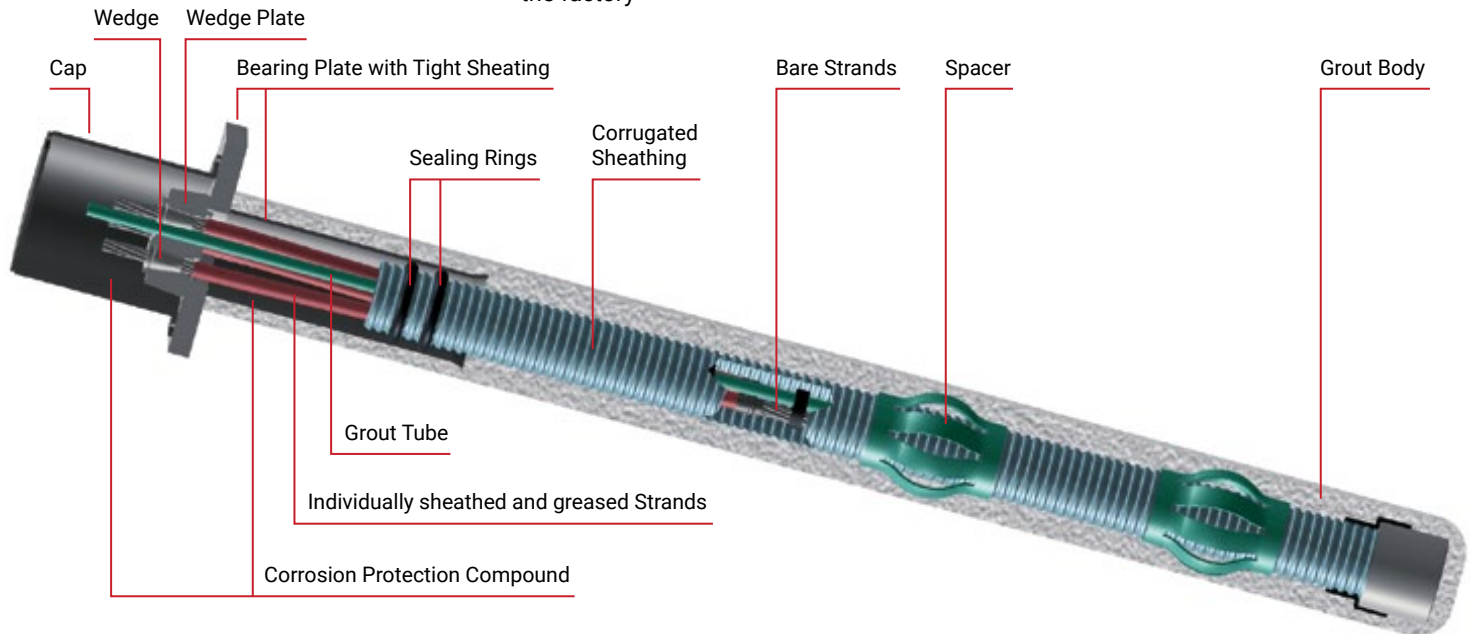
DYWIDAG Strand Anchors

Permanent (DCP) Anchors

- Long-lasting system for permanent use (more than 100 years)
- DYWIDAG Strand Post-Tensioning System Anchor components
- Bonded length can be pregrouted at the factory – partial grouting is also possible
- Approved, Double Corrosion Protection (DCP) achieved by strands that are greased, individually sheathed and covered by one corrugated sheathing at the factory

Fields of Application

- Permanent tiebacks
- Uplift control
- Positional stability
- Rock stabilization

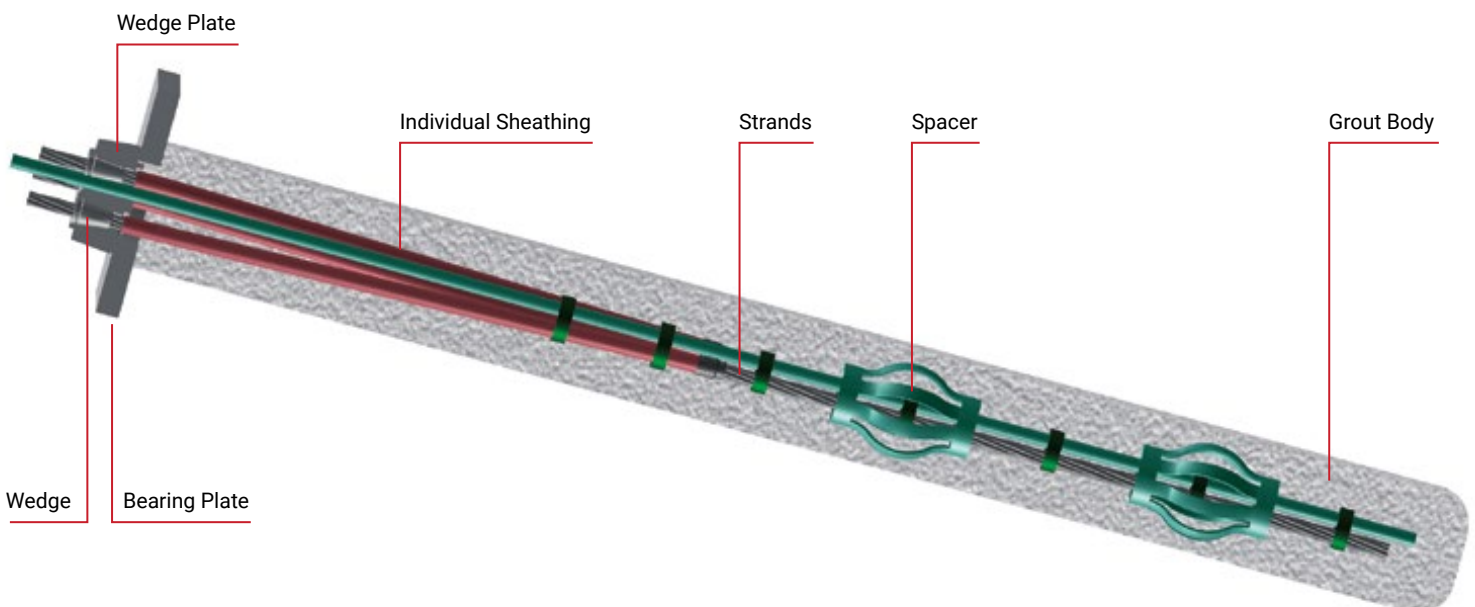


Temporary Anchor

- Temporary System for preliminary use of up to two years
- Extended use after prior agreement of involved experts
- Individual sheathing can be tightly sealed to the anchor head
- DYWIDAG Strand Post-Tensioning System Anchor components
- Can be designed for pressing water

Fields of Application

- Excavations
- Temporary tiebacks
- Stabilization of states of construction



Additional Information

Approval DIBt Z-20.1-53 / DIBt Z-20.1-64

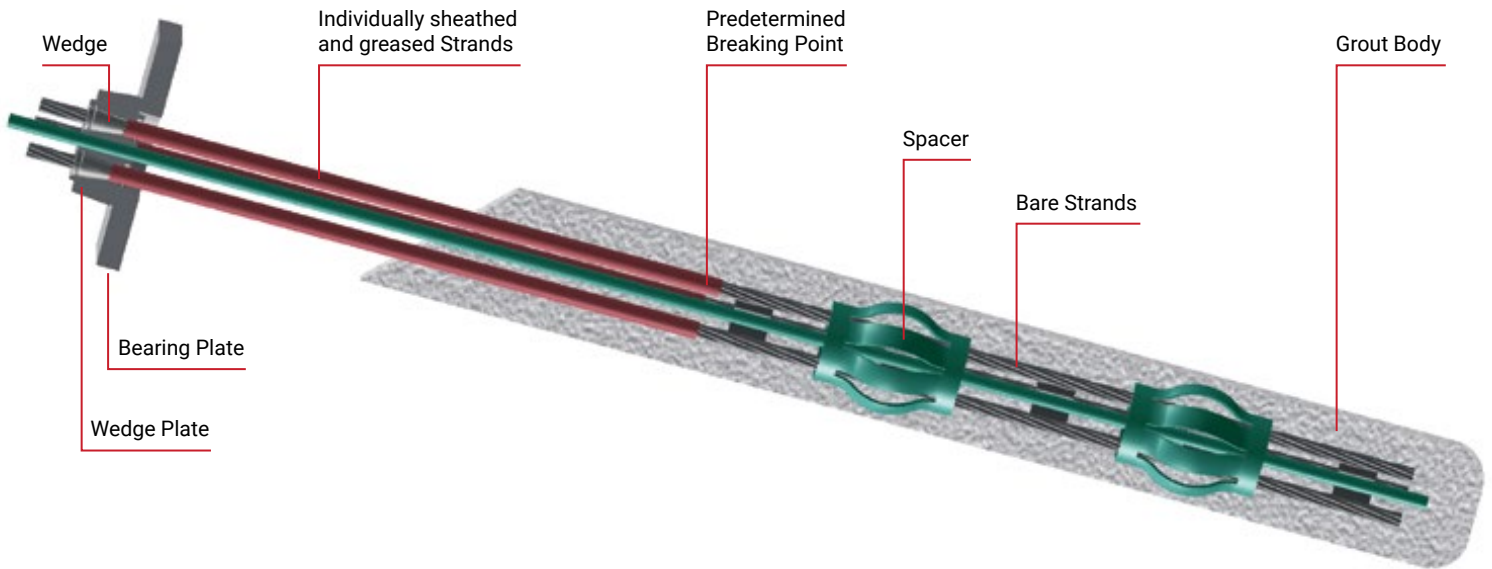
DYWIDAG Strand Anchors

Temporary Anchor with Removable Free Length

- Anchor is partly removable – only the bonded length remains in the soil
- Slender system – high forces despite small boreholes
- Predetermined breaking point at each strand in the transition from bonded to free length – weakened strand
- Individually sheathed, greased strands in the free length ensure trouble-free removal
- Special equipment for removing broken strands

Fields of Application

- Excavations
- Temporary tiebacks
- Stabilization of states of construction
- Intra-urban construction

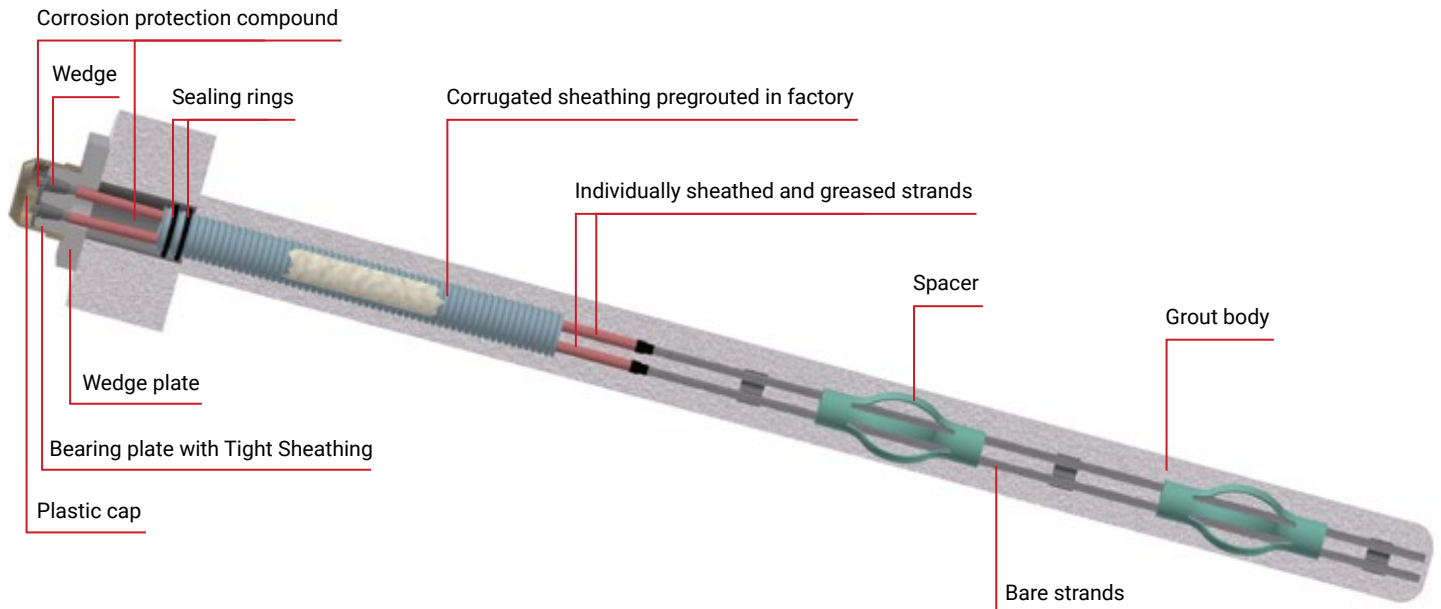


Semi-Permanent Anchor

- Temporary anchor with extended use (2 to 7 years)
- Semipermanent corrosion protection achieved by strands that are greased and individually sheathed in factory
- DYWIDAG anchor head approval
- Connection to anchor head achieved by a pregrouted corrugated sheathing
- Anchor head with plastic cap filled with corrosion protection compound

Fields of Application

- Excavations
- Extended temporary tiebacks
- Stabilization of states of construction



Additional Information

Approval DIBt Z-20.1-53 / DIBt Z-20.1-64

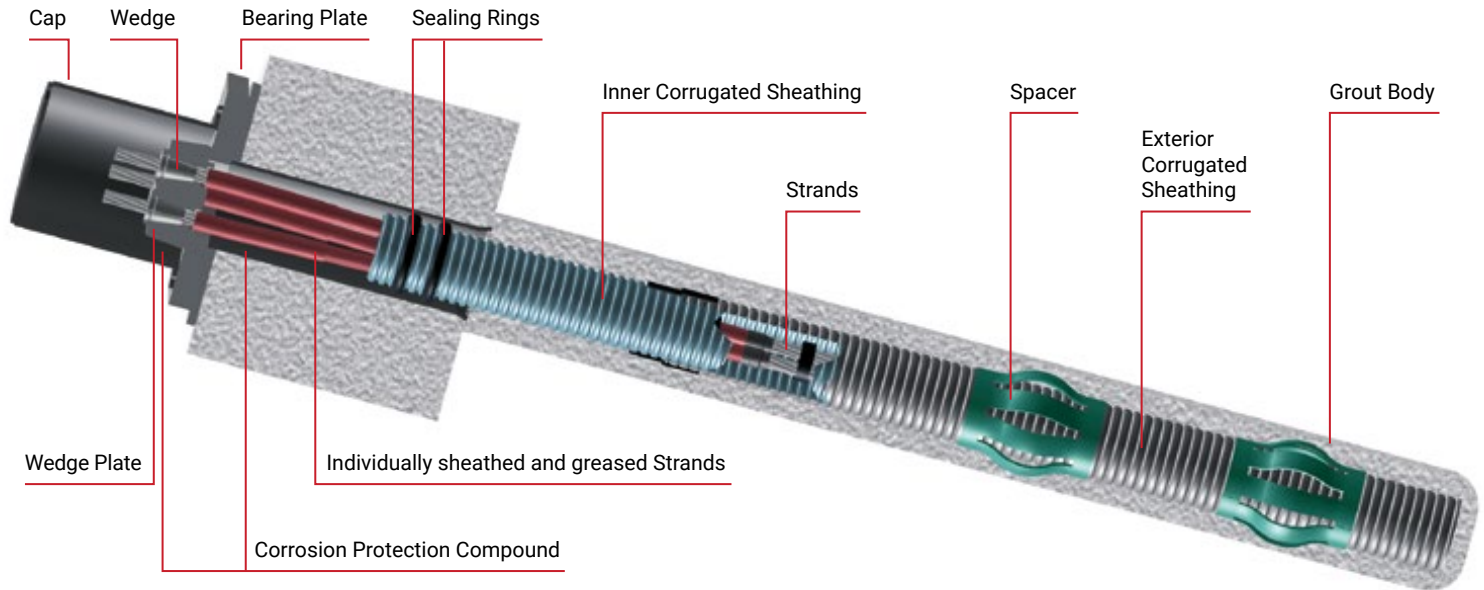
DYWIDAG Strand Anchors

Permanent Anchor with Double Sheathing - TWIN-Corr System

- Long-lasting system for permanent use (more than 100 years)
- Double Corrosion Protection (DCP) achieved by strands that are greased, individually sheathed and covered by one corrugated sheathing at the factory
- Additional protection of the bonded length by a second, concentric corrugated sheathing – two plastic sheathings in the bonded length as well

Fields of Application

- Permanent tiebacks
- Uplift control
- Positional stability
- Rock stabilization

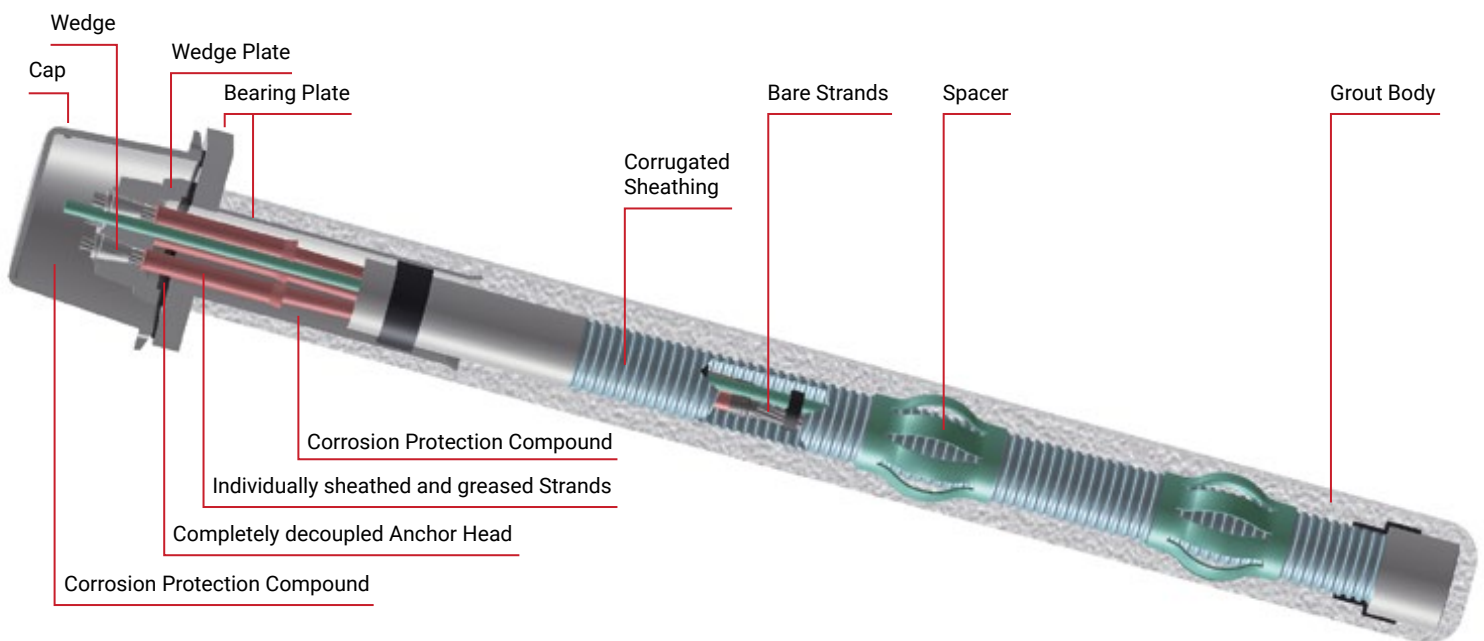


Electrically Testable Permanent Anchors – El-Iso System

- Long-lasting system for permanent use (more than 100 years)
- By uncoupling the anchor head and the tendon from the anchor plate, a resistance test from the anchor to the soil can be carried out – the intactness of the corrosion protection sheathing can be tested permanently and at any point of time by resistance tests
- Fulfills SIA requirements
- Special design also applicable for stray currents (railway)

Fields of Application

- Permanent tiebacks
- Uplift control
- Positional stability
- Rock stabilization
- Applicable for stray currents



Additional Information

Approval DIBt Z-20.1-53 / DIBt Z-20.1-64

First Use of DYWIDAG Strand Anchors in Bukarest, Romania

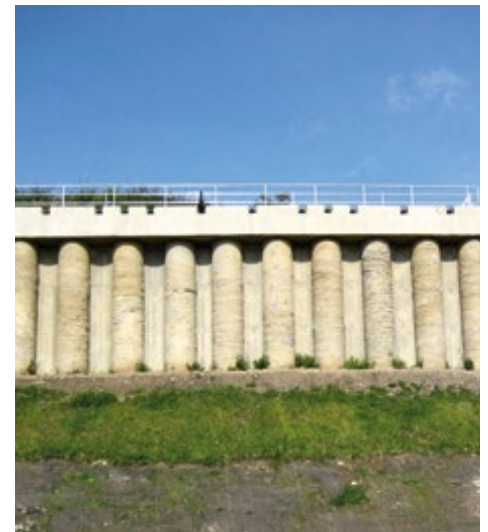


Owner Raiffeisen Evolution, Austria +++ **Contractor** STRABAG SRL, Romania +++ **Subcontractor** Drilling Work Züblin SRL, Romania +++ **Engineers** Dipl.-Ing. Kurt Ströhle ZT GmbH, Austria; STROEHLE ENGINEERING SRL, Romania +++ **Executing Company** Züblin Romania SRL, Romania



DYWIDAG Unit DYWIDAG-Systems International GmbH, Austria
DYWIDAG Services Production, Supply, Installation, Test Installation, Technical Support
DYWIDAG Products supplied 3,765m, replaceable DYWIDAG Strand Anchors, 7-0.62"; 151m, DYWIDAG Strand Anchors, 9-0.62", with 16 anchor heads, 5 load cells with 1,250kN; rental of the complete tensioning equipment

New Ways for Europe: Pan-European Corridor 5, Slovenia



Owner DARS d.d., Ljubljana, Slovenia +++ **Contractor** SCT d.d., Ljubljana, Slovenia

DYWIDAG Unit DYWIDAG-Systems International GmbH, Headquarter Operations, Germany
DYWIDAG Services Production and Supply
DYWIDAG Products supplied 850, Type 4-0.62" Electrically Isolated Permanent DYWIDAG Strand Anchors with 3 or 4 strands and Type 7-0.62" anchors with 5 strands; grouting and stressing equipment

Stabilization of Pier 70, A10 Tauern Motorway, Austria



i **Owner** ASFINAG BAU MANAGEMENT GMBH, Austria +++ **Engineers** SCHIMETTA CONSULT, Austria
DYWIDAG Unit DYWIDAG-Systems International GmbH, Austria
DYWIDAG Services Production and Supply
DYWIDAG Products supplied 10, 8-0.62" Permanent DYWIDAG Strand Anchors, length: approx. 80m

DYWIDAG Strand Anchors stabilize Europe's largest Harbor in Rotterdam, Netherlands



i **Owner** Havenbedrijf Rotterdam N.V. (Port of Rotterdam), Netherlands +++ **General Contractor** PUMA JV, consisting of Koninklijke Boskalis Westminster N.V. and Van Oord N.V., both Netherlands +++ **Subcontractor Quay Walls** BAVO JV, consisting of BAM Civiel B.V. and Van Hattum en Blankenvoort, both Netherlands +++ **Architect Quay Walls** BAM Infraconsult B.V., Netherlands
DYWIDAG Unit DYWIDAG-Systems International B.V., Netherlands
DYWIDAG Services Design, Production, Supply and Installation
DYWIDAG Products supplied 360, unbonded horizontal DYWIDAG Strand Anchors (500t) with MA Anchorages

Strengthening of Roanoke Rapids Dam using DYWIDAG Strand Anchors and DYNA Force® Sensors, USA



Owner Dominion North Carolina Power, USA +++ **General Contractor** Brayman Construction Corporation, USA +++
Engineers HDR/DTA, Inc., USA

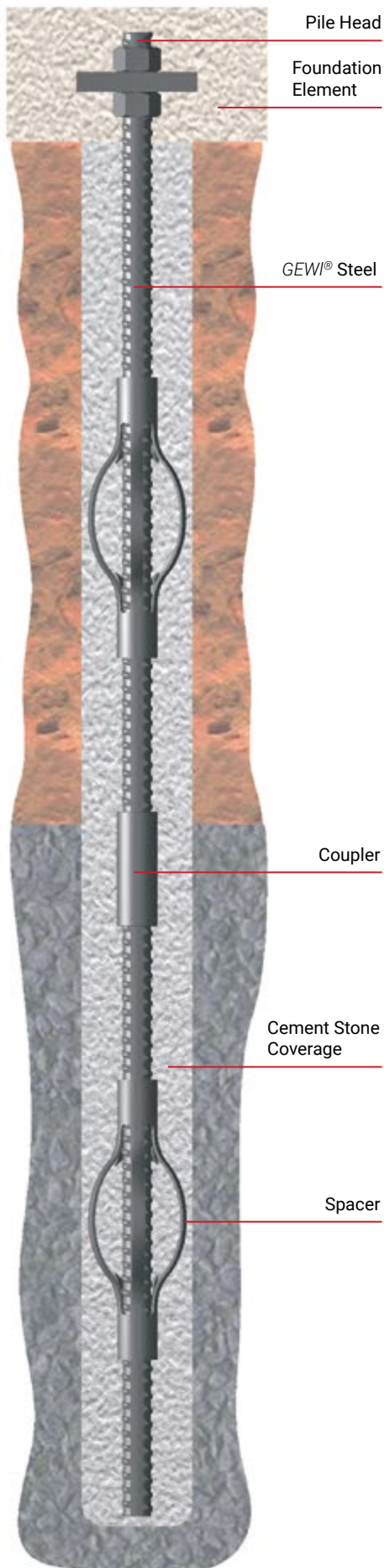
i **DYWIDAG Unit** DYWIDAG-Systems International USA Inc., BU Geotechnics, USA
DYWIDAG Services Production and Supply
DYWIDAG Products supplied restressable, epoxy coated 30-0.6" DYWIDAG Strand Anchors; 15 DYNA Force® Sensors

Permanent DYWIDAG Strand Anchors for Changuinola Dam, Panama



Owner AES Changuinola S.A., Panama +++ **General Contractor** Changuinola Civil Works Joint Venture CCWJV, consisting of: E. Pihl & Søn A.S. and MT Højgaard A/S, both Denmark; Alstom GmbH, Germany +++ **Anchor Designer** MD & G Engineers, South Africa

i **DYWIDAG Unit** DYWIDAG-Systems International USA Inc., BU Geotechnics, USA
DYWIDAG Services Production, Supply and Technical Support
DYWIDAG Products supplied 43, restressable, double corrosion protected (DCP) 12-0.6" DYWIDAG Strand Anchors; 48, DYNA Force® Sensors; equipment



Basic Concept

GEWI® and GEWI® Plus Piles are micropiles in accordance with DIN 4128 and EN 14199. Usually, they are not tensioned and act as a passive foundation system. A GEWI® Threadbar is inserted into a borehole with a maximum diameter of 300mm and centered using a spacer. Afterwards, the borehole is filled or pressure grouted with cement mortar from the bottom up. The grout simultaneously serves for transferring forces to the soil by skin friction and as standard corrosion protection (SCP). Like in solid construction, the alkaline environment of the surrounding cement stone coverage is used for protecting the reinforcing steel. If the cement stone cover does not offer sufficient protection in case of aggressive foundation soil or ground water, the GEWI® Pile is also available with double corrosion protection (DCP). The steel tendon is clad in a plastic corrugated sheathing and the annular space is grouted at the factory.

This design is especially used in case of tensile forces, for example in permanent uplift control, because cracks in the coverage can decrease the passivation effect of the cement stone.

Fields of Application

- Foundation
- Uplift control
- Baseplates
- Positional stability
- Dam construction

Key Features

- Threadbars with proven coarse GEWI® Thread that is suitable for on-site use – threadability even in extreme conditions
- Thread along the entire length
- Lengths can be flexibly adjusted on site
- Approved for absorbing tensile, compression, and alternating loads
- Excellent force / borehole ratio
- Space saving installation
- Compact, light equipment
- Various steel grades
 - Robust, weldable GEWI® Bar
 - GEWI® Plus Bars for ultimate wear
- For increasing skin friction, GEWI® and GEWI® Plus Piles can be equipped with a posterior grouting system
- Optimum load transfer in concrete structures via the anchoring elements
- Especially small pile distances can be realized using special splitting reinforcement
- Multibar assembly is possible when subject to extreme loads

As GEWI® and GEWI® Plus Piles are skin friction piles, they can transfer compression, tensile, and alternating loads. Thanks to the specially developed DYWIDAG Thread and system components, no adaptations need to be made to the foundation system.

Only the pile head design and the couplers must be varied. By definition, test loads are carried out at micropiles in order to prove the aptitude of the chosen system for the conditions on site as well as the quality of execution.

For transferring extremely high loads, several individual piles (usually three) can be combined in a borehole, providing that the borehole diameter is chosen sufficiently wide.

Additional Information

Approval DIBt Z-32.1-2 / DIBt Z-32.1-9

GEWI® Pile System

Technical Data

GEWI® Pile B500B & S555/700

Nominal diameter \emptyset	Yield strength / tensile strength $f_{0,2k}/f_{tk}$	Cross- sectional area A	Load at yield F_{yk}	Ultimate load F_{tk}	Weight	Weight DCP	Approval
[mm]	[N/mm ²]	[mm ²]	[kN]	[kN]	[kg/m]	[kg/m]	
16	500/550	201	101	111	1.58	5.2	
20	500/550	314	157	173	2.47	5.9	○
25	500/550	491	245	270	3.85	7.0	○
28	500/550	616	308	339	4.83	8.6	○
32	500/550	804	402	442	6.31	9.5	○
36	500/550	1,020	510	560	7.99	11.9	
40	500/550	1,257	628	691	9.86	13.6	○
43	500/550	1,452	726	799	11.40	19.8	
50	500/550	1,963	982	1,080	15.41	21.0	○
57.5	555/700	2,597	1,441	1,818	20.38	27.1	
63.5	555/700	3,167	1,758	2,217	24.86	32.4	×
75	500/550	4,418	2,209	2,430	34.68	42.82	

GEWI® Plus Pile S670/800

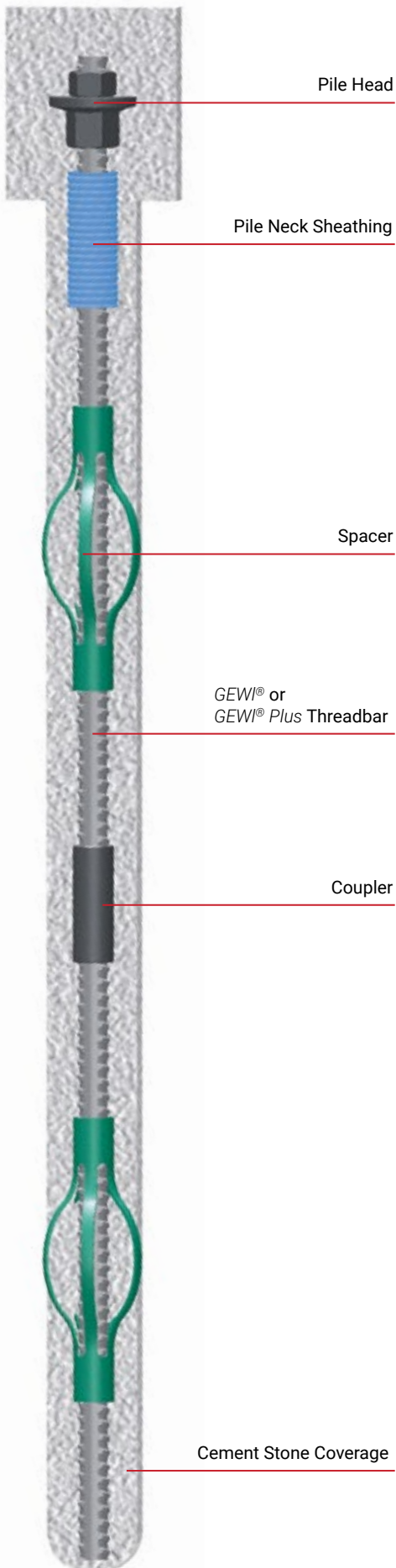
Nominal diameter \emptyset	Yield strength / tensile strength $f_{0,2k}/f_{tk}$	Cross- sectional area A	Load at yield F_{yk}	Ultimate load F_{tk}	Weight	Weight DCP	Approval
[mm]	[N/mm ²]	[mm ²]	[kN]	[kN]	[kg/m]	[kg/m]	
18	670/800	254	170	204	2.00	5.4	
22	670/800	380	255	304	2.98	6.5	
25	670/800	491	329	393	3.85	7.0	
28	670/800	616	413	493	4.83	8.6	
30	670/800	707	474	565	5.55	9.0	
35	670/800	962	645	770	7.55	11.3	
43	670/800	1,452	973	1,162	11.40	15.8	
50	670/800	1,963	1,315	1,570	15.40	22.8	
57.5	670/800	2,597	1,740	2,077	20.38	30.0	
63.5	670/800	3,167	2,122	2,534	24.86	32.4	
75	670/800	4,418	2,960	3,534	34.68	38.0	

○ Z-32.1-2 \emptyset 20 - 50mm GEWI® Pile

×

Additional Information

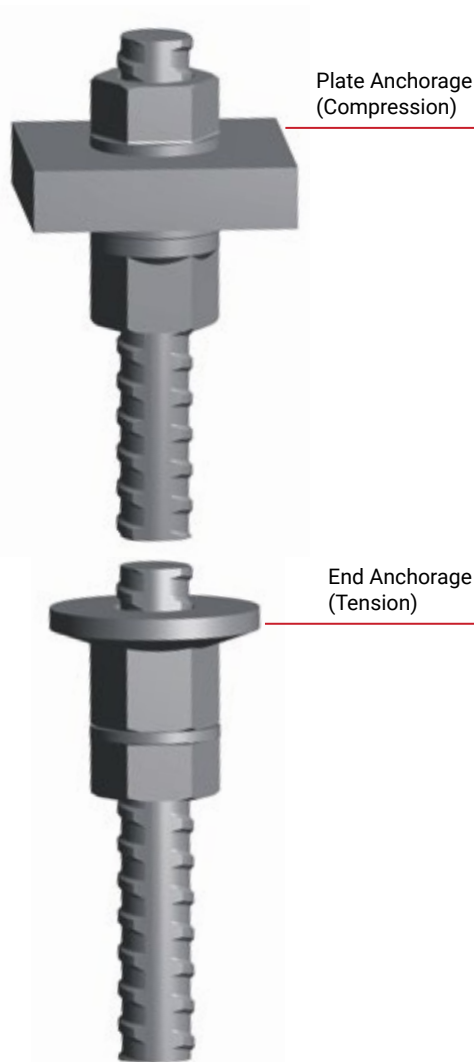
Approval DIBt Z-32.1-2 / DIBt Z-32.1-9



Standard Corrosion Protection (SCP)

- Corrosion protection by cement stone coverage
- Service life independent of environmental conditions and direction of load
- Compression pile: permanent use (more than 100 years) in minor corrosiveness
- Can be used up to 2 years (DIN 4128) or up to 50 years (EN14199) in low aggressivity if used as a tension and alternating load pile
- Can be supplied spray or hot-dip galvanized
- Spacers center the tendon in the borehole and ensure the necessary coverage
- A variety of pile head variations can be supplied depending on applications
- Approved GEWI® System components

Examples for Pile Head Variations

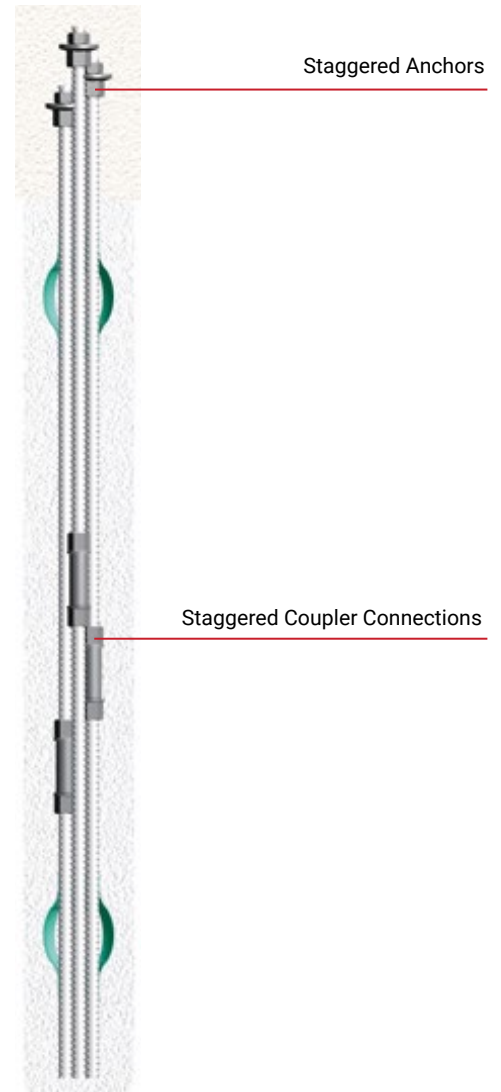


Fields of Application

- Foundation
- Baseplates
- Reinforcement
- Underpinings
- Mainly compression loads

GEWI® Multibar assembly

- Used for extreme loads
- Reaction piles for test loading
- Larger boreholes



Additional Information

Approval DIBt Z-32.1-2 / DIBt Z-32.1-9

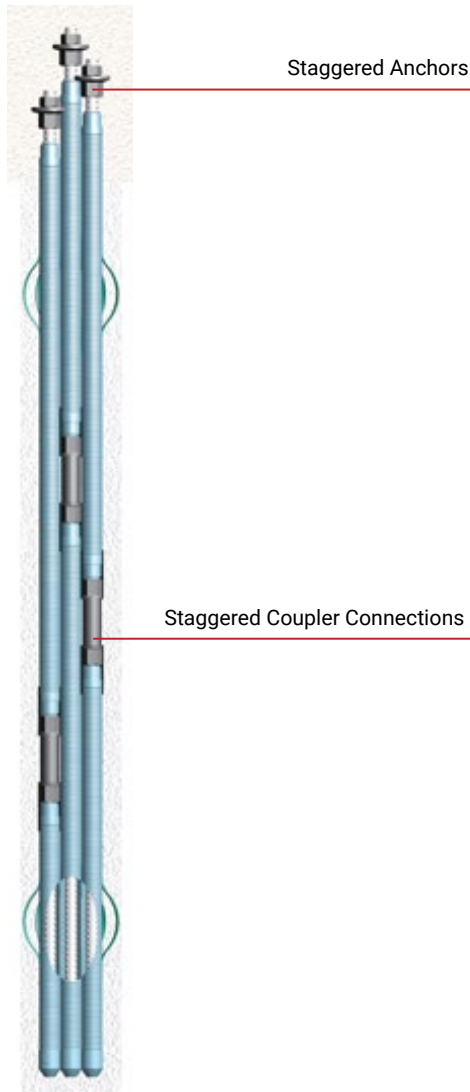
GEWI® Pile System

Double Corrosion Protection (DCP)

- Double Corrosion Protection (DCP) achieved by grouted corrugated sheathing with controlled crack width
- Permanent use (more than 100 years) – independent of corrosiveness and direction of load
- Can be fitted with DYWIDAG post-injection system
- Slender system – small borehole
- A variety of pile head variations can be supplied depending on applications
- Approved GEWI® System components

GEWI® Multibar assembly

- Excellent system effectiveness
- Double corrosion protection



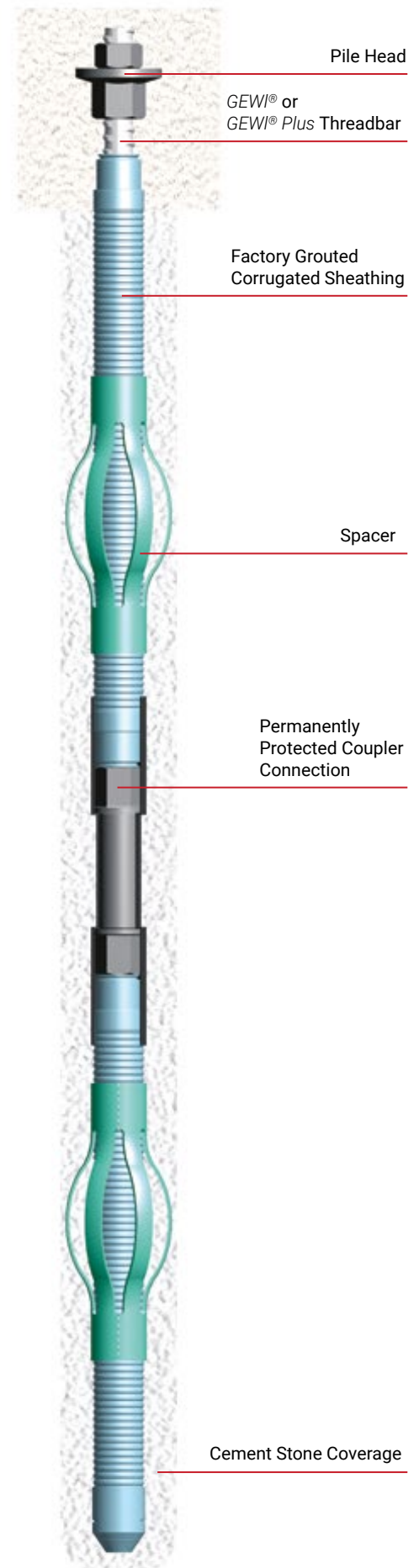
Fields of Application

- Uplift control
- Foundation
- Baseplates
- Reinforcement
- Underpinnings

Plate Anchoring (alternating load)



Coupler Connection



Additional Information

Approval DIBt Z-32.1-2 / DIBt Z-32.1-9

GEWI® Plus Piles stabilize Commercial Harbor: Kaiserschleuse Bremerhaven, Germany



Owner Bremenports GmbH & Co. KG, Bremerhaven, Germany +++ **Client** Neidhardt Grundbau GmbH, Hamburg, Germany +++
Contractor JV, consisting of Hochtief Construction AG, August Prien Bauunternehmung (GmbH & Co. KG), STRABAG AG and Gustav W. Rogge, all of them Bremen and Bremerhaven, Germany



DYWIDAG Unit DYWIDAG-Systems International GmbH, LU West, Germany
DYWIDAG Services Production and Supply
DYWIDAG Products supplied approx. 770, Ø 63.5mm **GEWI® Plus** Piles, half of which were Double Corrosion Protected

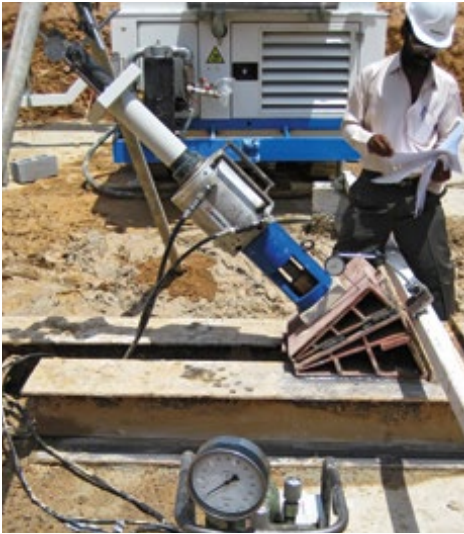
GEWI® Piles used for Important Train Connection from Munich to Verona, Austria



Owner ÖBB Infrastruktur Bau AG, Austria +++ **Client** Strabag AG Dir. IE, Austria +++ **Contractor** ZÜBLIN Spezialtiefbau Ges.m.b.H., Austria

DYWIDAG Unit DYWIDAG-Systems International GmbH, Austria
DYWIDAG Services Production and Supply
DYWIDAG Products supplied 1,910, **GEWI®** Piles; 1,394, DYWIDAG Strand Anchors with 3 to 9 strands

DYWIDAG Supplies Permanent **GEWI®** Anchors for Suspension Bridge in Oman



Owner Ministry of Regional Municipalities & Water Resources, Ruwi, Oman +++ **Contractor** STRABAG Oman LLC, Muscat, Oman +++ **Engineers** Schlaich Bergermann und Partner, Stuttgart, Germany



DYWIDAG Unit DYWIDAG-Systems International GmbH, LU West, Germany
DYWIDAG Services Production, Supply, Installation and Test Installation
DYWIDAG Products supplied 64, Ø 50mm permanent **GEWI®** Anchors

Permanent **GEWI®** Anchors stabilize modern Power Plant in Incheon City, South Korea



Owner Korea South East Power Co., Ltd. (KOSEP), Korea +++ **General Contractor** GS Engineering & Construction Co. Ltd, Korea +++
Subcontractor Shinwoo Construction Co., Ltd., Korea +++ **Engineers** Hyundai Engineering Co., Ltd., Korea



DYWIDAG Unit DYWIDAG-Systems Korea Co. Ltd., Korea
DYWIDAG Services Production and Supply
DYWIDAG Products supplied 336, permanent double corrosion protected **GEWI®** Anchors

DYWIDAG Soil Nails

Basic Concept

DYWIDAG Soil Nailing is a passive system for stabilizing slopes and sidehill cuts or rock as well as for stabilizing construction pit walls if deformations are irrelevant.

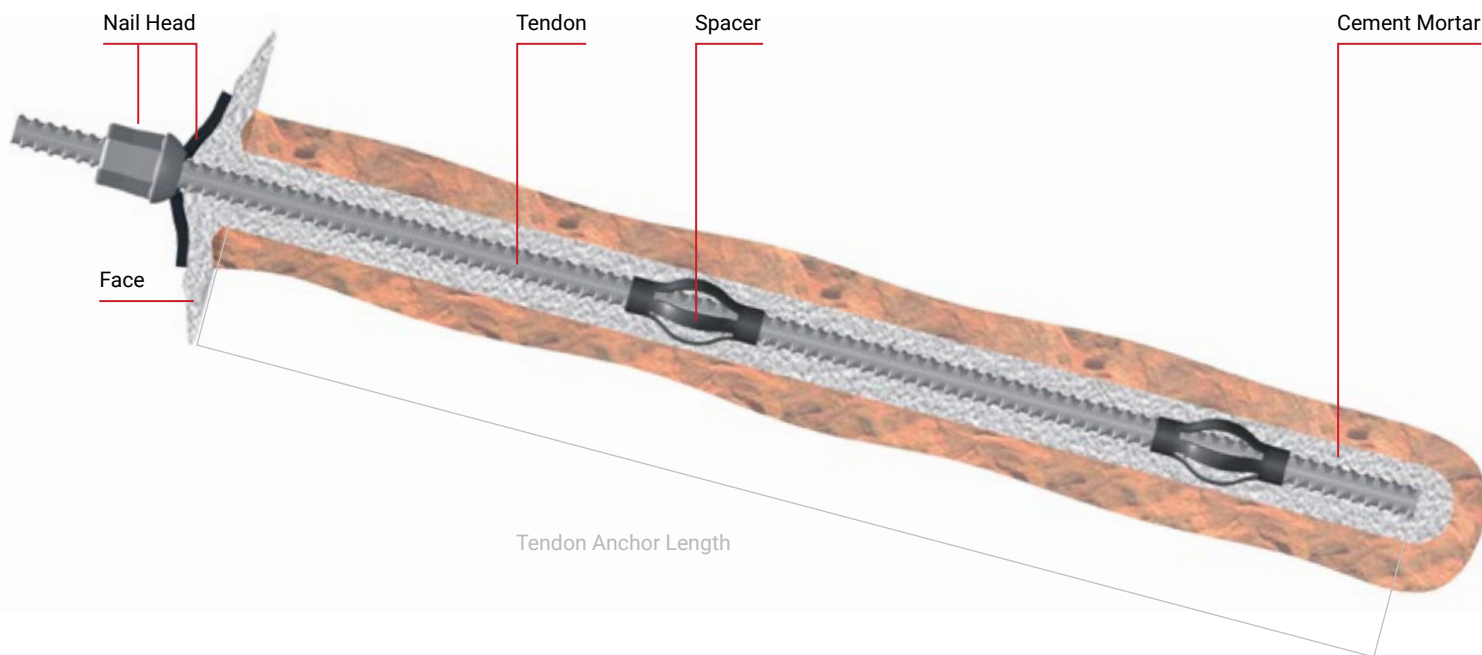
The load-bearing system significantly differs from ground anchors (actively tensioned) and tensile piles. In the case of soil nailing, the load-bearing capacity of the complete soil is increased because it is consolidated by the soil nails.

The soil is nailed into secure areas of the slope located further inside the hill. Consequently, tensile and shear forces act on the nails. In order to achieve this effect, the nails can only be placed at certain, limited distances towards each other. The nails do not act individually, but as a complete nailing system.

For stabilizing the slope front, a slope face must be realized that is connected to the nails guaranteeing tensile strength. Shotcreting construction, precast concrete elements, mesh or geotextiles can be used for this type of slope face. If the slope is only slightly inclined, it can be revegetated afterwards to achieve a pleasing appearance.

GEWI® Threadbars that are centered using spacers are installed into the boreholes. Afterwards, the borehole is filled with cement mortar from the bottom up along its complete length. The grout creates a force-fit connection via bond with the threadbar and skin friction inside the borehole.

Proof of this connection and the individual load-bearing capacity of a nail is provided by test loads and regular approval tests. Fabric tubes can be used for sealing the borehole walls in case of fragmented rock or if soil is extremely permeable.



Fields of Application

- Slope stabilization
- Embankment stabilization
- Excavations without special requirements
- Rock stabilization
- Fixation of rock fall mesh
- Avalanche barriers
- Fixation

Key Features

- Threadbars with proven coarse GEWI® Thread that is suitable for on-site use – threadability even in extreme conditions
- Thread along the entire length – lengths can be flexibly adjusted on site
- Excellent force / borehole ratio
- Various steel grades
 - Robust, weldable GEWI® Bar
 - GEWI® Plus Bars for ultimate wear
- For increasing skin friction, GEWI® and GEWI® Plus Piles can be equipped with a posterior grouting system
- The system permits flexible adaptation to different embankment and slope face conditions

Additional Information

Approval DIBt Z-20.1-106

DYWIDAG Soil Nails

Technical Data

GEWI® Soil Nail / Rock Bolt, B500B & S555/700 Threadbar

Nominal diameter \emptyset	Yield strength / tensile strength $f_{0,2k}/f_{tk}$	Cross-sectional area A	Load at yield F_{yk}	Ultimate load F_{tk}	Weight	Weight DCP	Approval
[mm]	[N/mm ²]	[mm ²]	[kN]	[kN]	[kg/m]	[kg/m]	
16	500/550	201	101	111	1.58	5.2	○
20	500/550	314	157	173	2.47	5.9	○
25	500/550	491	245	270	3.85	7.0	○
28	500/550	616	308	339	4.83	8.6	○
32	500/550	804	402	442	6.31	9.5	○
36	500/550	1,018	510	560	7.99	11.9	
40	500/550	1,257	628	691	9.86	13.6	○
43	500/550	1,452	726	799	11.40	19.8	
50	500/550	1,963	982	1,080	15.41	21.0	○
57.5	555/700	2,597	1,441	1,818	20.38	27.1	
63.5	555/700	3,167	1,758	2,217	24.86	32.4	○
75	500/550	4,418	2,209	2,430	34.68	42.8	

GEWI® Plus Soil Nail / Rock Bolt, S670/800 Threadbar

Nominal diameter \emptyset	Yield strength / tensile strength $f_{0,2k}/f_{tk}$	Cross-sectional area A	Load at yield F_{yk}	Ultimate load F_{tk}	Weight	Weight DCP	Approval
[mm]	[N/mm ²]	[mm ²]	[kN]	[kN]	[kg/m]	[kg/m]	
18	670/800	254	170	204	2.00	5.4	
22	670/800	380	255	304	2.98	6.5	
25	670/800	491	329	393	3.85	7.0	
28	670/800	616	413	493	4.83	8.6	
30	670/800	707	474	565	5.55	9.0	
35	670/800	962	645	770	7.55	11.3	
43	670/800	1,452	973	1,162	11.40	15.8	
57.5	670/800	2,597	1,740	2,077	20.38	30.0	
63.5	670/800	3,167	2,122	2,534	24.86	32.4	
75	670/800	4,418	2,960	3,534	34.68	38.0	

○ Z-20.1-106 DYWIDAG Soil Nailing System

Additional Information

Approval DIBt Z-20.1-106

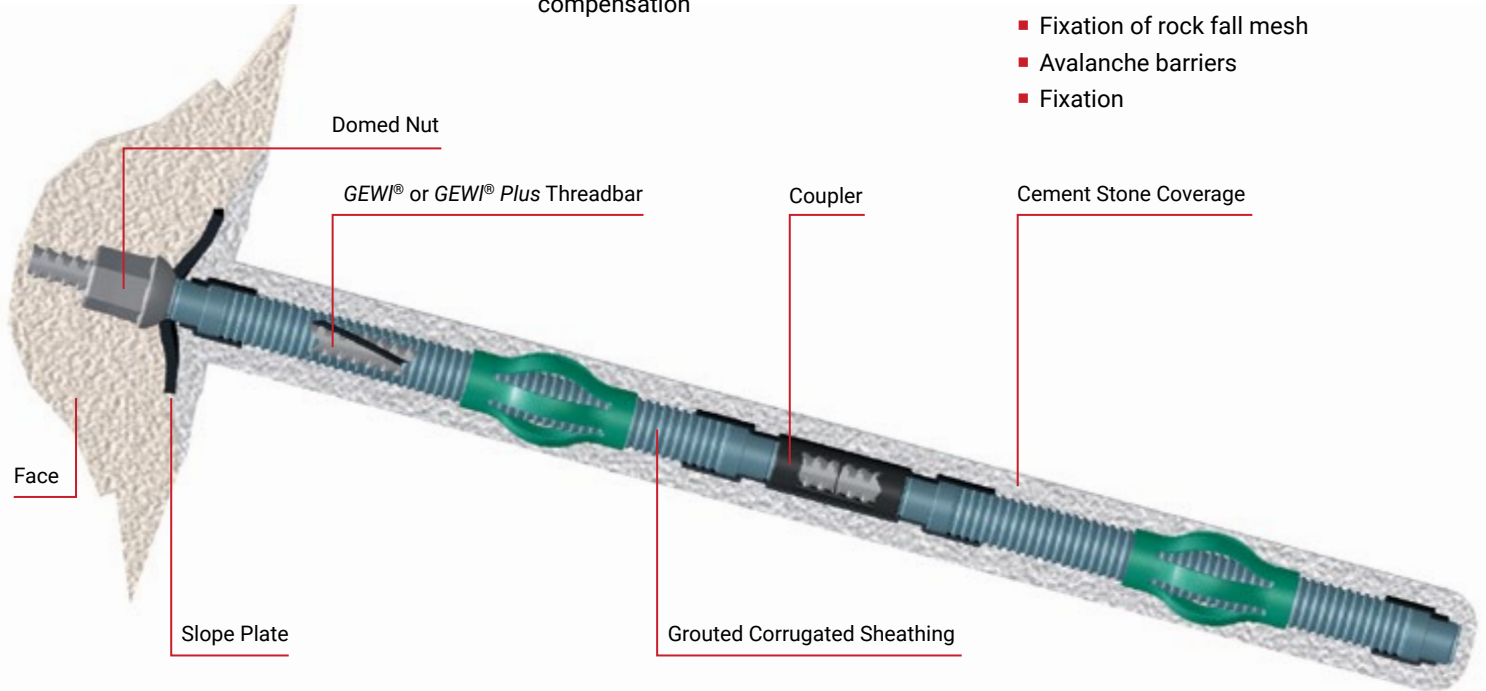
DYWIDAG Soil Nails

DCP Soil Nail / Permanent Soil Nail

- Permanent use (more than 100 years)
- Double Corrosion Protection (DCP) achieved by factory grouted corrugated sheathing along the entire soil nail length with controlled crack width
- Different slope faces are possible such as shotcreting construction, precast concrete elements, mesh or sheet pile walls
- Different designs are available for angle compensation

Fields of Application

- Slope stabilization
- Embankment stabilization
- Excavations without special requirements
- Rock stabilization
- Fixation of rock fall mesh
- Avalanche barriers
- Fixation

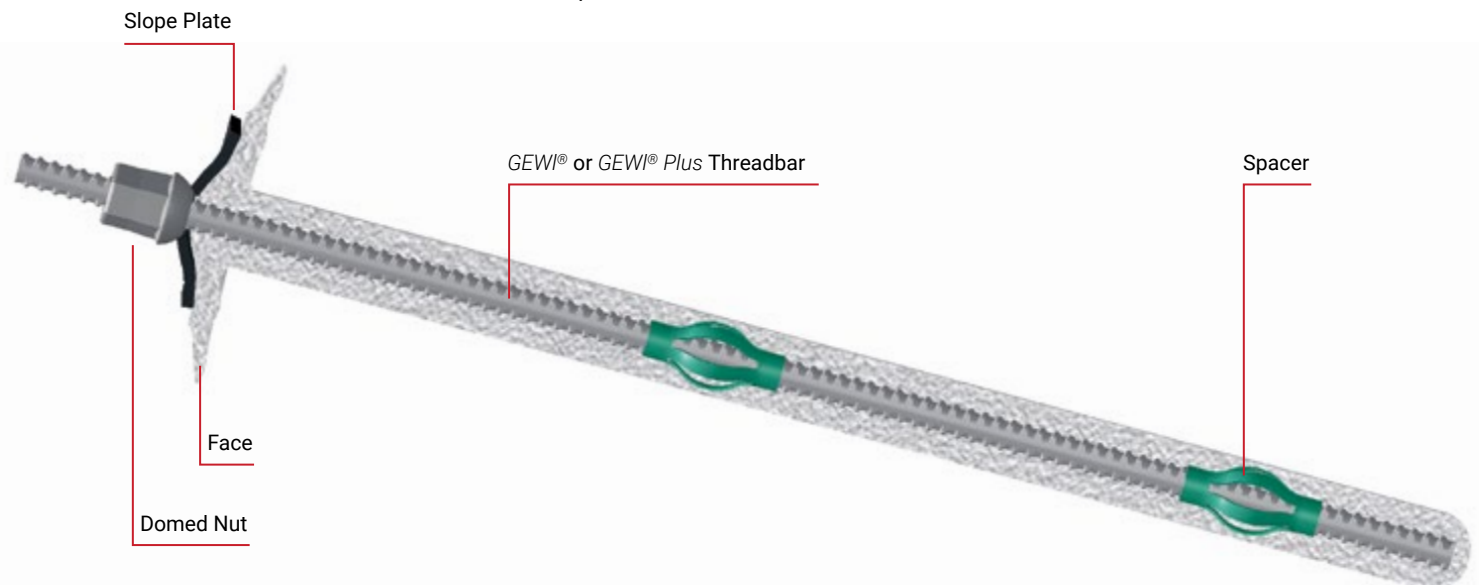


Short Term Soil Nail / Temporary Soil Nail

- Temporary use of up to two years
- Extended use after prior agreement of involved experts
- Galvanized version available
- Different slope faces are possible such as shotcreting construction, precast concrete elements, mesh or sheet pile walls
- Different designs are available for angle compensation

Fields of Application

- Temporary slope stabilization
- Temporary embankment stabilization
- Stabilisation of states of construction
- Excavations without special requirements



Additional Information

Approval DIBt Z-20.1-106

Summer Holidays without Traffic Jams: DYWIDAG Systems stabilize Autostrada Adriatica, Italy



i Owner Autostrade per l'Italia Spa, Italy +++ Contractor Pentapoli S.c.a.r.l. – Imola, Italy +++ Consulting Engineer SPEA Ingegneria Europe, Italy

DYWIDAG Unit DYWIT S.P.A., Italy

DYWIT Services Production, Supply and Technical Support

DYWIT Products double corrosion protected \varnothing 26.5mm DYWIDAG Soil Nails; \varnothing 36 and 40mm DYWIDAG Bar Anchors; rental of equipment

Brenner Expressway - Slope Protection using Double Corrosion Protected GEWI® Soil Nails, Austria



i Owner ASFINAG, Austria +++ Main Contractor Grund- Pfahl und Sonderbau GmbH, Austria

DYWIDAG Unit DYWIDAG-Systems International GmbH, Austria

DYWIDAG Services Production and Supply

DYWIDAG Products supplied 12,000m, permanent GEWI® Soil Nails with double corrosion protection; 400 pcs. in lengths varying from 25 to 38m

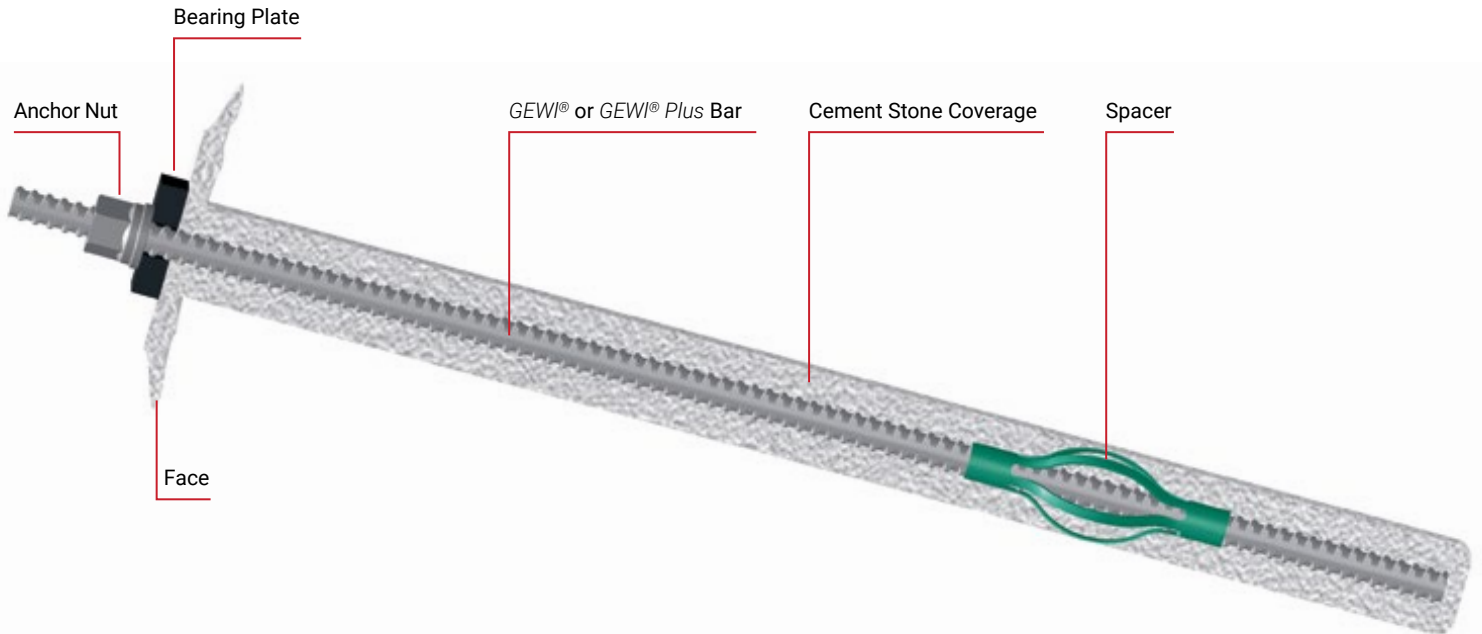
DYWIDAG Rock Bolts

SN Anchors / Fully Grouted Rock Bolt

- Steel tendon is grouted along its entire length
- Galvanized version available
- Excellent force / borehole ratio

Fields of Application

- Ground support
- Rock stabilization
- Anchorages in rock
- Rock and soil

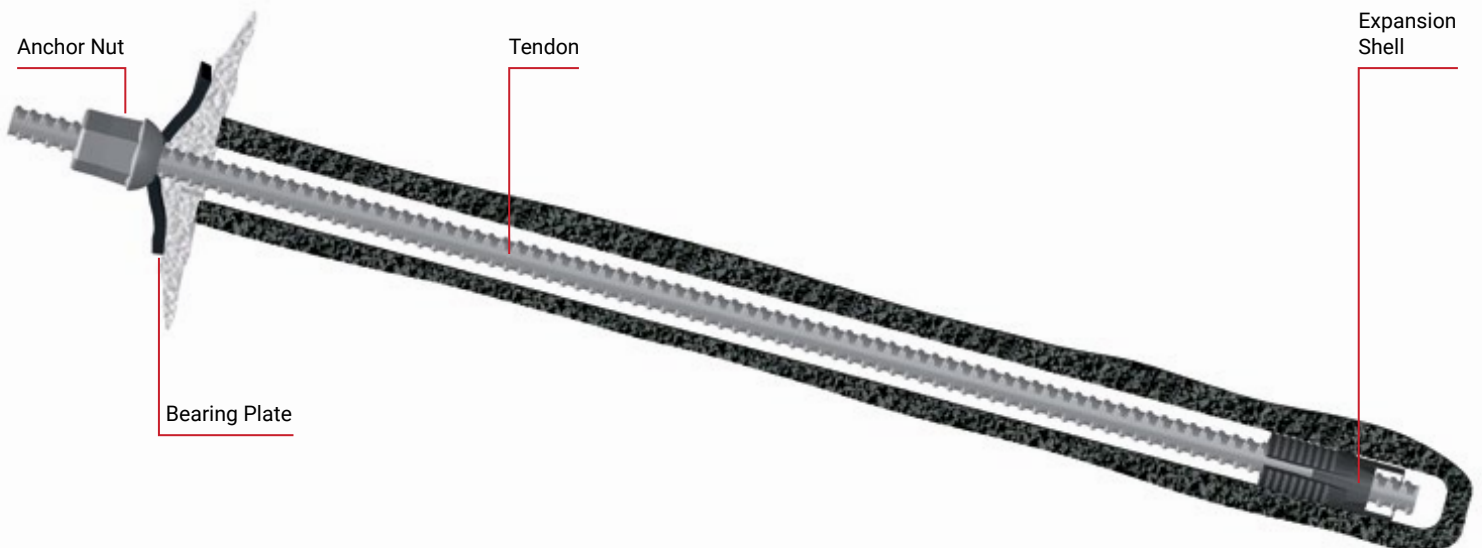


Expansion Shell Anchors / Rock Bolts with Expansion Shell

- Extremely fast and easy installation
- Immediate load bearing capacity in the borehole
- Galvanized version available
- Retensionable
- Various angle compensation designs available
- Posterior grouting is possible – increased load bearing capacity and durability

Fields of Application

- Face bolts
- Ground support
- Roof support
- Medium hard to hard rock
- Potash and salt



Additional Information

Approval DIBt Z-20.1-106

Rock Face Stabilized using GEWI® Rock Bolts, France



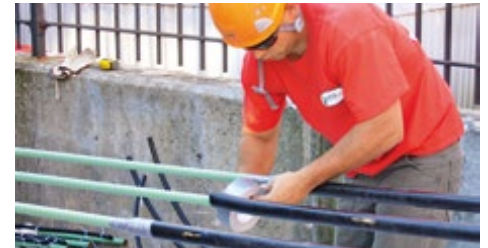
i Owner City of Marseille, France +++ General Contractor SIMECO, Simiane Collongue, France

DYWIDAG Unit DSI-Artéon, France

DYWIDAG Services Supply

DYWIDAG Products supplied 455, GEWI® Rock Bolts incl. accessories; 1,600m², of protective mesh; 1,000m, of strand

New York Step-Street Stabilized Using GEWI® Rock Bolts, USA



i Owner City of New York, Department of Design and Construction, USA +++ General Contractor LAWS Construction, Pleasantville, USA +++ Contractor JANOD Construction Inc., USA +++ Engineers Langan Engineering & Environmental Services, USA

DYWIDAG Unit DYWIDAG-Systems International USA Inc., USA

DYWIDAG Services Supply

DYWIDAG Products supplied #8 grade 75: S 520/690N/mm² epoxy-coated GEWI® Rock Bolts incl. accessories: hex nuts, eyebolts and anchor plates

DYWI® Drill Hollow Bar System

Basic Concept

The DYWI® Drill Hollow Bar System combines the geotechnical load-bearing system with the creation of a borehole. Thanks to the self-drilling hollow bar system with simultaneous grout flushing, the installation procedure can be decisively eased and shortened.

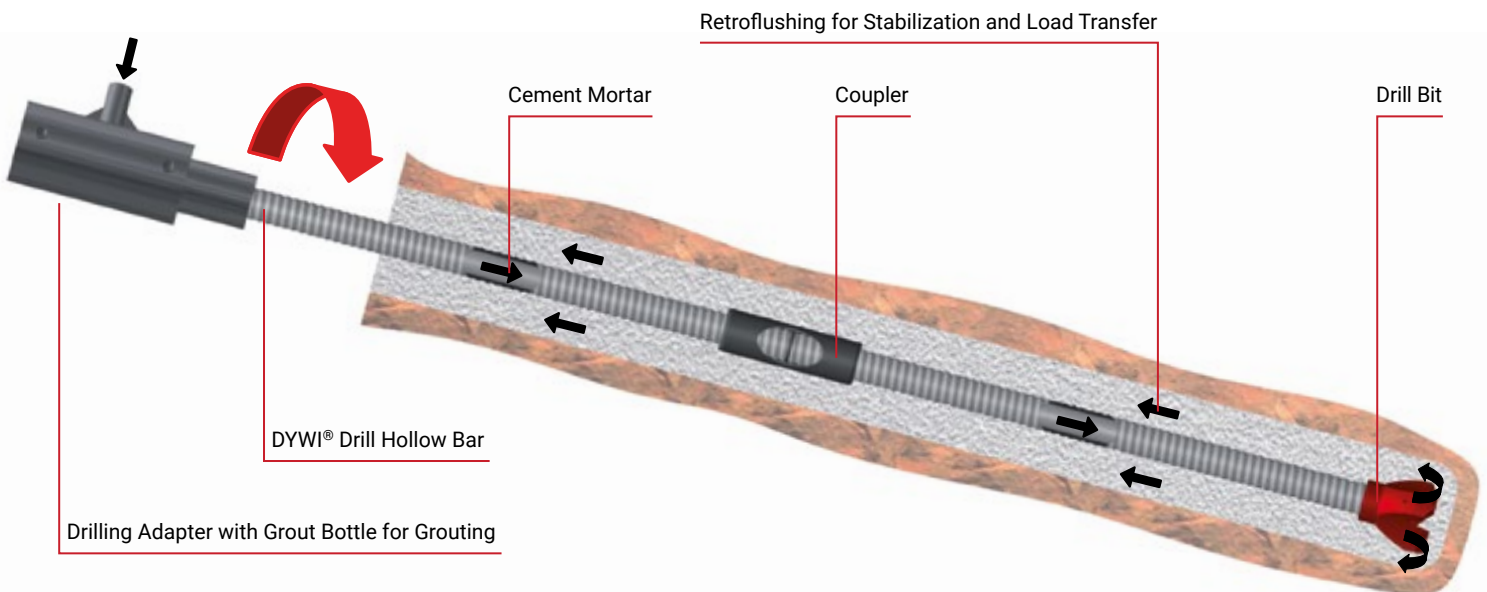
The DYWI® Drill Hollow Bar serves as a drill rod. It is fitted with a lost drill bit at the top that can be adapted to different soil conditions. After each single section of 1 to 6m, the subsequent bar is coupled to the previously installed segment.

At the final stage of drilling, cement mortar is injected into the hollow core of the bar using an injection adapter that is mounted at the drilling unit. The cement mortar exits at the bottom end through the flushing opening in the drill bit. The grout flushing simultaneously serves as slurry to stabilize the borehole and ensures the efficient retroflush of the borehole cuttings.

Once the required installation length has been reached, the grouting unit is switched to grouting mortar because it reaches higher compression strengths and thus ensures better load-bearing capacities. The hollow bar now serves as a steel tendon and can be used both as a soil nail or rock bolt and as a micropile.

DYWI® Drill Hollow Bars are produced in-house in our Center of Competence for Hollow Bars (Pasching, Austria).

The comprehensive DYWI® Drill Hollow Bar System product range offers tendons with ultimate loads from 210kN to 1,900kN including all system components such as drill bits for all soil conditions, couplers, spacers and anchor heads. Additional installation tools such as injection adapters or mortar mixers / pumps are constantly on stock or can be adapted and produced customized or adjusted to job site requirements on short notice.



Fields of Application

- Slope, embankment and rock stabilization
- Excavations without special requirements
- Fixation of rock fall mesh
- Avalanche barriers
- Foundation
- Baseplates

Key Features

- The tendon simultaneously serves as a drill rod
- Extremely fast installation because borehole drilling is made redundant by simultaneous drilling and grouting
- Compact equipment – space saving installation
- Drill bits are available for all varieties of soil and rock
- Can be used as a nail or a pile – many head varieties are available

Additional Information

Approval DIBt Z-14.4-674 and Z-34.13-208

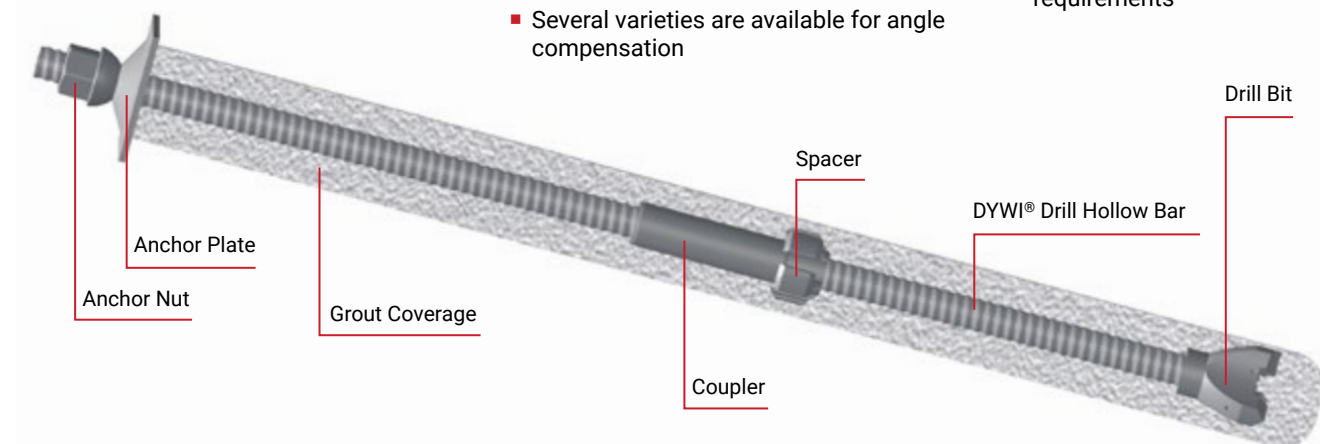
DYWI® Drill Hollow Bar System

Short Term Bolt / Temporary Bolt Short Term Bolt with Extended Service Life / Semi Permanent Bolt

- Temporary use for up to two years
- Extended use for up to 50 years after prior agreement of involved experts
- Galvanized design and Duplex Coating available
- Combination with different slope faces such as shotcrete construction, precast concrete elements, mesh or sheet pile walls
- Spacers center the nail inside the borehole and ensure sufficient coverage
- Several varieties are available for angle compensation

Fields of Application

- Temporary slope stabilization
- Temporary embankment stabilization
- Stabilisation in different states of construction
- Excavations without special requirements

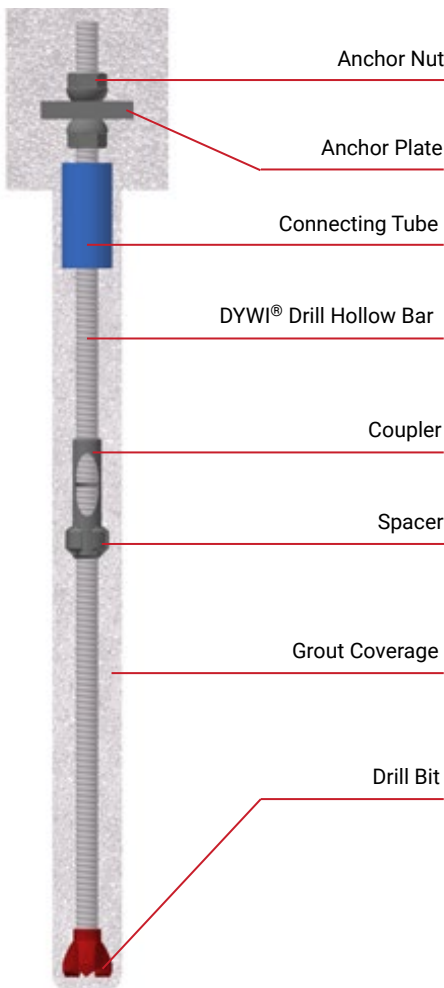


DYWI® Drill Micropile for Temporary and Permanent Use

- Temporary use for up to two years (temporary), permanent use possible
- Corrosion protection by cement stone coverage
- Spacers center the tendon in the borehole and ensure the necessary coverage
- Galvanization and Duplex Coating available
- Approved DYWI® Drill Hollow Bar components

Fields of Application

- Foundation
- Uplift control
- Base plates
- Slope / embankment stabilisation
- Dam construction



Technical Data

Type	Cross-sectional area A [mm ²]	Load at yield F _{yk} [kN]	Ultimate load F _{tk} [kN]	Weight [kg/m]	Approval
R32-210	340	160	210	2,65	△
R32-250	370	190	250	2,90	△
R32-280	410	220	280	3,20	△
R32-320	470	250	320	3,70	△
R32-360	510	280	360	4,00	△
R32-400	560	330	400	4,40	△
R38-420	660	350	420	5,15	△
R38-500	750	400	500	5,85	△
R38-550	800	450	550	6,25	△
R51-550	890	450	550	6,95	△
R51-660	970	540	660	7,65	△
R51-800	1.150	640	800	9,00	△
T76-1300	1.590	1.000	1.300	12,50	△
T76-1650	1.975	1.200	1.600	15,50	△
T76-1900	2.360	1.500	1.900	18,50	△

△ Z-14.4-674 & Z-34.13-208

Lengths of delivery L = 2/3/4/6m

Additional Information

Approval DIBt Z-14.4-674 and Z-34.13-208

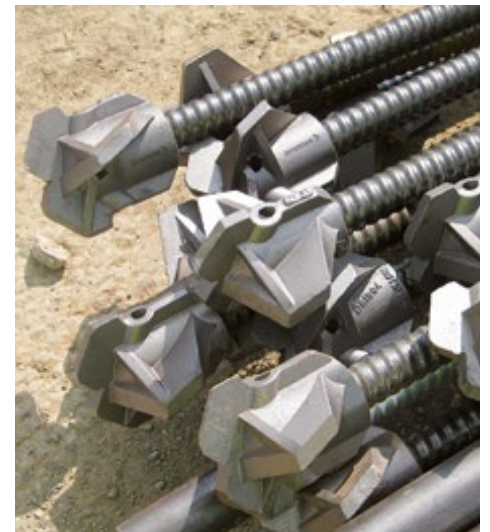
Hollow Bars stabilize motorway construction near Porth, South Wales, Great Britain



Owner Highways Agency, Great Britain +++ **General Contractor** Costain, Great Britain +++ **Engineers** Arup, Great Britain +++
Installation Subcontractor Systems Geotechnique Ltd., Great Britain

i **DYWIDAG Unit** DYWIDAG-Systems International Ltd., Great Britain
DYWIDAG Scope Supply
DYWIDAG Products supplied 746 pcs., galvanized DYWI® Drill Soil Nails Type R25N, R32N and R32S in lengths varying from 4 to 7m

Widening of the M1: Largest Soil Nailing Project in Great Britain



Owner UK Highways Agency, Great Britain +++ **Engineers** URS Scot Wilson, Great Britain +++ **General Contractor** JV Costain Carillion, consisting of Costain Group, PLC and Carillion PLC, both Great Britain +++ **Drilling Contractor** Bachy Soletanche Carillion Piling JV, consisting of Bachy Soletanche Limited and Carillion PLC, both Great Britain

i **DYWIDAG Unit** DYWIDAG-Systems International Ltd., Great Britain
DYWIDAG Services Production, Supply, Test Installation and Technical Support
DYWIDAG Products supplied 17,000, Type R38 DYWI® Drill Hollow Bar Soil Nails, Ø 25mm GEWI® Soil Nails

Stabilization of an Excavation using DYWI® Drill Hollow Bar Anchors: New Residential Building at the Dietl Brewery Site in Straubing



Owner Alte Brauerei GmbH, Germany +++ **Contractor** Hans Eberhardt GmbH, Germany +++ **Builder** Gerl & Vilsmeier Bauträger- und Immobilien GmbH, Germany



DYWIDAG Unit DYWIDAG-Systems International GmbH, BU Geotechnics, Germany

DYWIDAG Services Production, supply, technical support

DYWIDAG Products 1,700m of R32 DYWI® Drill Hollow Bar Anchors, 300m of R38 DYWI® Drill Hollow Bar Anchors, 775m of temporary DYWIDAG Strand Anchors with 2-5 strands

Vienna's new Central Station: DSI Austria contributes to Increased Mobility, Austria



Owner ÖBB (Federal Austrian Railway), Austria +++ **General Contractor** Grund- Pfahl- und Sonderbau GmbH and Porr GmbH, both Austria



DYWIDAG Unit DYWIDAG-Systems International GmbH, Austria

DYWIDAG Services Supply

DYWIDAG Products supplied approx. 10,000, Type R32 DYWI® Drill Hollow Bar Anchors with accessories

DYWIDAG Tie Rods

Basic Concept

DYWIDAG Bar Systems are perfectly suitable for transferring tensile forces and can therefore be used as tie rods.

Applications:

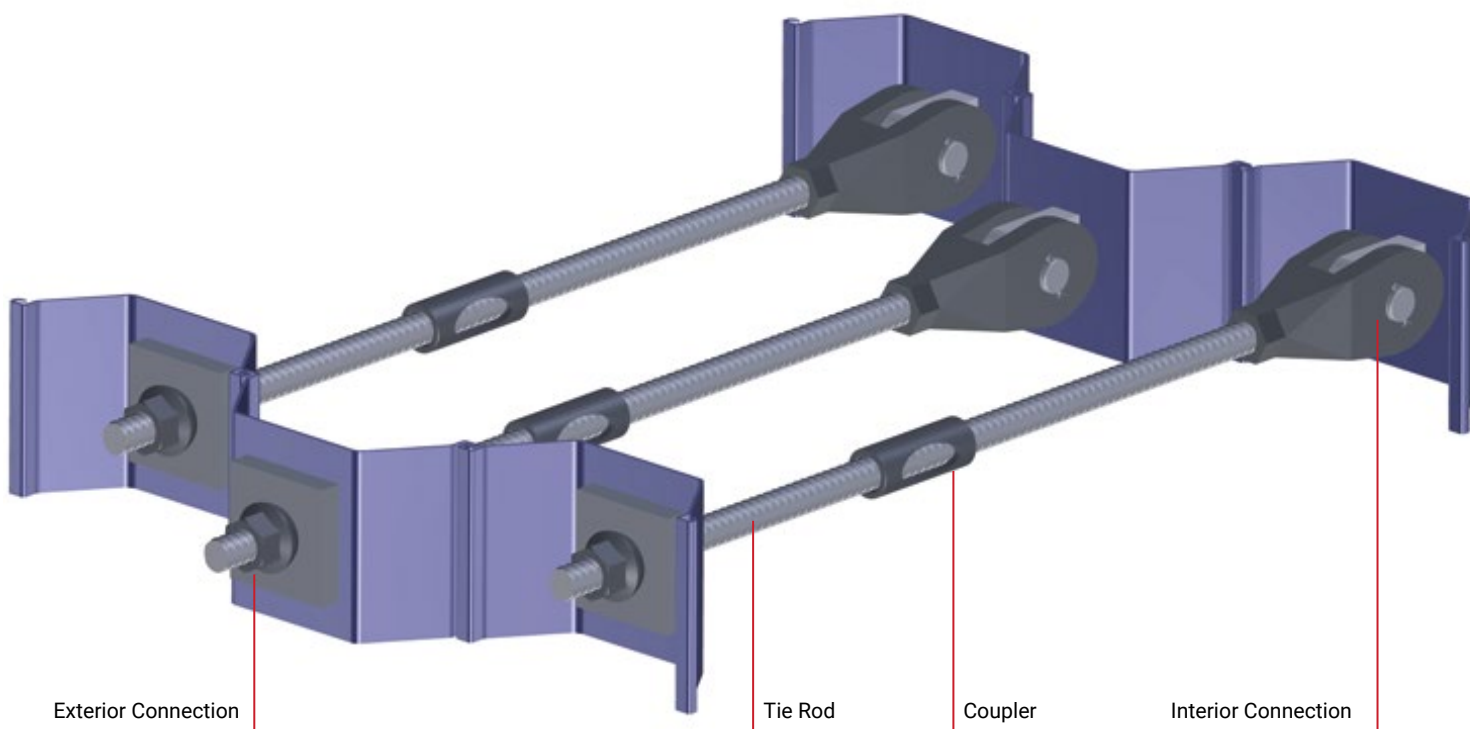
Sheet pile wall assembly in harbor and dam construction, cross-linkings, tying back walls in deadman structures, positional stability of joint connections, corner joints and foundations etc.

Due to the continuous *GEWI*[®] Thread, the bars can be cut, anchored, and coupled at any point and be adjusted to on-site requirements. This makes the system completely independent of installation conditions on site as well as of existing deviations or alterations.

Depending on requirements and steel grades, a variety of corrosion protection methods can be used. This includes loss of section (sacrificial corrosion), galvanizing and coating, wrapping as well as double corrosion protection for highest requirements.

The matching system is chosen in close cooperation with our system specialists and is prefabricated at our plants if necessary.

Special system solutions such as articulated connections, couplers or tensionable connections can be provided for anchoring and connecting DYWIDAG Bars to the structure that needs to be stabilized. Our Technical Service is able to provide prompt customized solutions for special installation situations such as limited working space.



Fields of Application

- Harbor / quay construction
- Dam and ramp construction
- Bracings
- Tie rods
- Tie backs
- Positional stability

Key Features

- The complete system features coarse *GEWI*[®] Thread that is suitable for on-site use
- *GEWI*[®] and *GEWI*[®] Plus steel grades are insensitive to embrittlement and stress corrosion cracking
- Various corrosion protection systems are applicable
- Comprehensive range of accessories for anchoring and coupling
- The system can be easily, quickly and safely adjusted to on-site conditions
- No limitation of installation tolerances
- Prestressing for deformation minimization
- Weldable bars and accessories
- Weight reduction of approx. 50% in comparison to S355 bars

Additional Information

DYWIDAG Tie Rods Brochure

DYWIDAG Tie Rods

Corrosion Protection Systems

Our Sales and Technical Services teams will gladly support you in choosing a suitable corrosion protection system.

■ Double Corrosion Protection (DCP) in accordance with EN1537

- Shrinking with corrosion protection shrinking sleeves
- Wrapping with corrosion protection grease tape
- Epoxy-, PUR- or bitumen based coatings
- Hot-dip galvanizing
- Spray galvanizing
- Loss of section (sacrificial corrosion)

Loss of Section in Accordance with EAU and DIN EN 14199 (Bar Diameter – Loss of Thickness in mm)

Aggressivity	Period of use		
	Short (up to 5 years)	Medium (50 years)	Long (100 years)
low	0.1	1	2
medium	0.2	2	–
high	1	–	–

Technical Data

GEWI® B500B & S555/700 Threadbar

Nominal diameter \emptyset	Yield strength / tensile strength $f_{0.2k}/f_{tk}$	Cross-sectional area A	Load at yield F_{yk}	Ultimate load F_{tk}	Weight	Weight DCP	Approval
[mm]	[N/mm ²]	[mm ²]	[kN]	[kN]	[kg/m]	[kg/m]	
16	500/550	201	101	111	1.58	5.2	○
20	500/550	314	157	173	2.47	5.9	○
25	500/550	491	245	270	3.85	7.0	○
28	500/550	616	308	339	4.83	8.6	○
32	500/550	804	402	442	6.31	9.5	○
36	500/550	1,018	510	560	7.99	11.9	
40	500/550	1,257	628	691	9.86	13.6	○ ×
43	500/550	1,452	726	799	11.40	19.8	
50	500/550	1,963	982	1,080	15.41	21.0	○ ×
57.5	555/700	2,597	1,441	1,818	20.38	27.1	
63.5	555/700	3,167	1,758	2,217	24.86	32.4	○ ×
75	500/550	4,418	2,209	2,430	34.68	42.8	

GEWI® Plus-Gewindestahl S670/800

Nominal diameter \emptyset	Yield strength / tensile strength $f_{0.2k}/f_{tk}$	Cross-sectional area A	Load at yield F_{yk}	Ultimate load F_{tk}	Weight	Weight DCP	Approval
[mm]	[N/mm ²]	[mm ²]	[kN]	[kN]	[kg/m]	[kg/m]	
18	670/800	254	170	204	2.00	5.4	
22	670/800	380	255	304	2.98	6.5	
25	670/800	491	329	393	3.85	7.0	
28	670/800	616	413	493	4.83	8.6	
30	670/800	707	474	565	5.55	9.0	
35	670/800	962	645	770	7.55	11.3	
43	670/800	1,452	973	1,162	11.40	15.8	
50	670/800	1,963	1,315	1,570	15.40	22.8	
57.5	670/800	2,597	1,740	2,077	20.38	30.0	
63.5	670/800	3,167	2,122	2,534	24.86	32.4	
75	670/800	4,418	2,960	3,534	34.68	38.0	

DYWIDAG-Spannstahl Y1050H

Nominal diameter \emptyset	Yield strength / tensile strength $f_{0.1k}/f_{pk}$	Cross-sectional area A	Load at yield $F_{p0.1k}$	Ultimate load F_{pk}	Weight	Weight DCP	Approval
[mm]	[N/mm ²]	[mm ²]	[kN]	[kN]	[kg/m]	[kg/m]	
26.5	950/1,050	552	525	580	4.48	7.4	□
32	950/1,050	804	760	845	6.53	9.8	□
36	950/1,050	1,018	960	1,070	8.27	12.3	□
40	950/1,050	1,257	1,190	1,320	10.21	14.0	□
47	950/1,050	1,735	1,650	1,820	14.10	20.0	

□ DIBt Z-20.1-17

× DIBt Z-34.11-225

○ DIBt Z-1.5-76, Z-1.5-149, Z-1.5-2

Additional Information

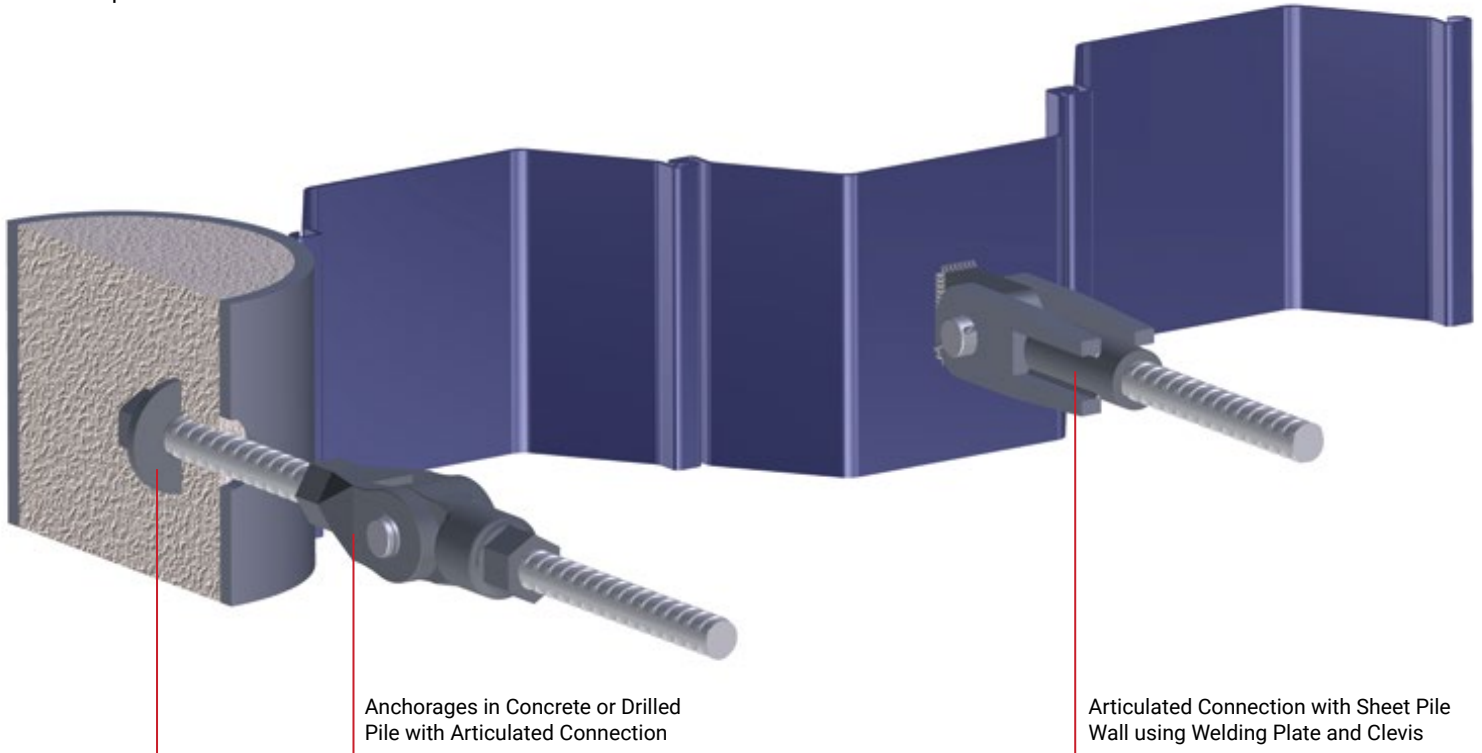
DYWIDAG Tie Rods Brochure

DYWIDAG Tie Rods

Tie Rod Connections

Anchorage in different variations for steel and concrete structures

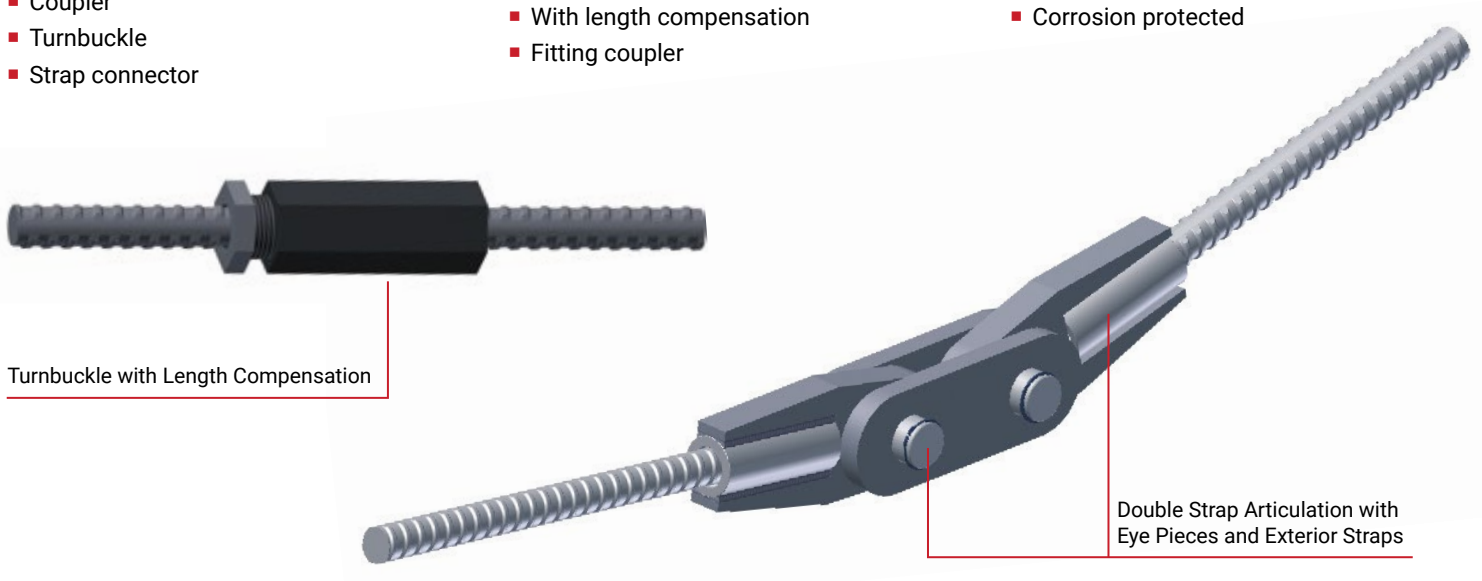
- Clevis connections
- Eye pieces
- Anchor pieces
- Articulated
- With angle compensation
- Self-aligning under load
- Tensionable
- Weldable
- Corrosion protected
- Counter-sunk
- Embedded in concrete



Couplers and Connections

Many variations

- Coupler
- Turnbuckle
- Strap connector
- Articulated
- Double articulation
- With length compensation
- Fitting coupler
- Tensionable
- Weldable
- Corrosion protected



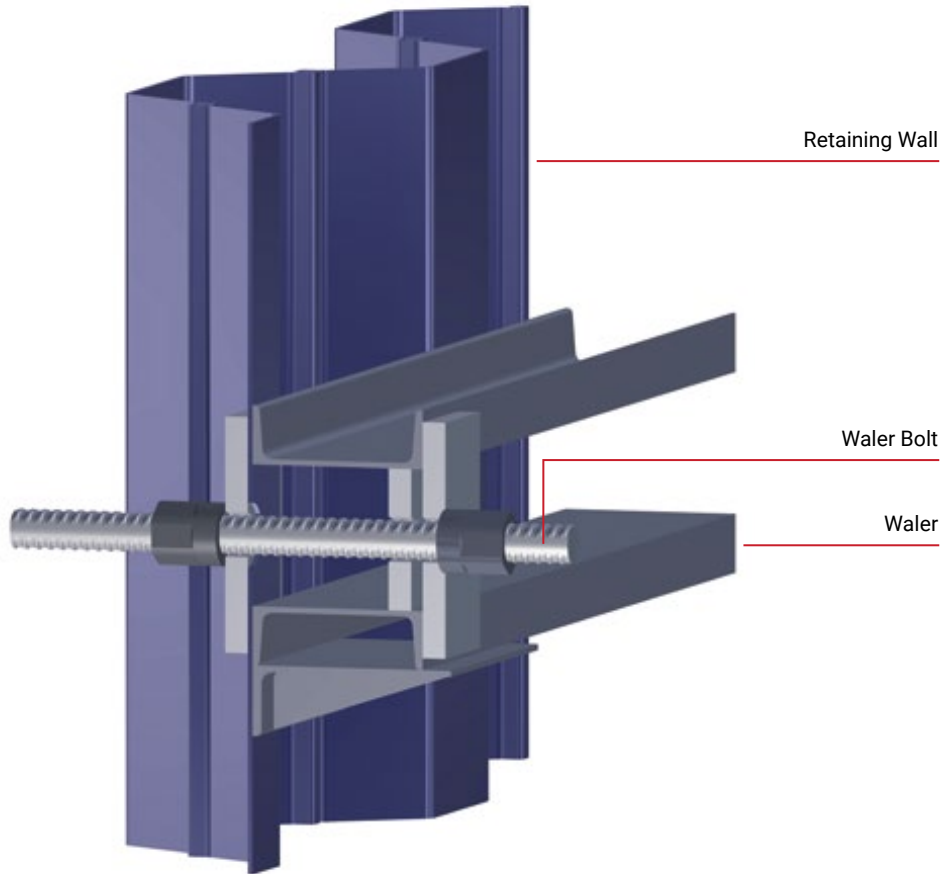
Additional Information

DYWIDAG Tie Rods Brochure

DYWIDAG Tie Rods

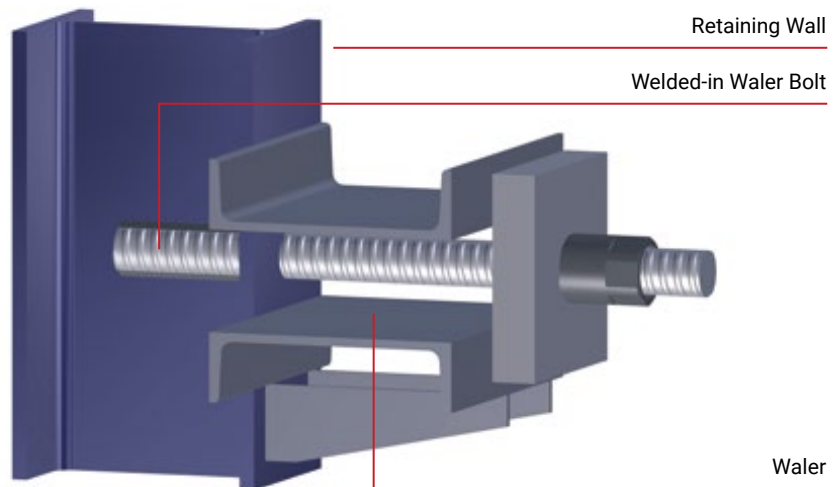
Waler Bolt

- Replaceable
- Weldable
- Additional segments and systems can be connected using couplers
- With angle compensation
- Corrosion protected



Welded-in Waler Bolt

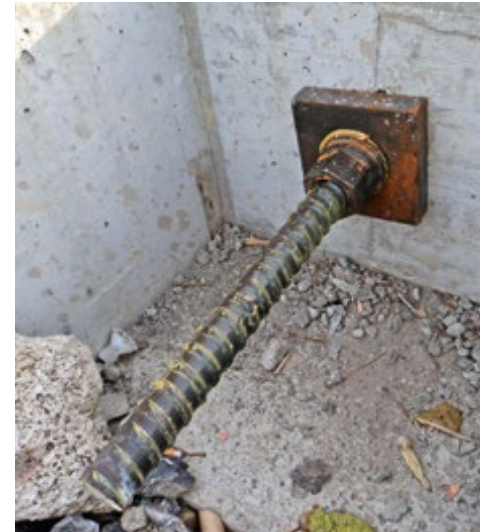
- Counter-sunk
- Inclined installation is possible
- Additional segments and systems can be connected using couplers
- Central load transfer on the center beam
- Easy and economical



Additional Information

DYWIDAG Tie Rods Brochure

Comfort and Design: The Marina d'Arechi, Italy



i **Owner** Gallozzi Group, Italy +++ **General Contractor** Impresa Pietro Cidonio S.p.A., Italy +++ **Architect (Marina Buildings)** Santiago Calatrava, Spain
DYWIDAG Unit DYWIT S.P.A., Italy
DYWIT Services Supply
DYWIT Products supplied 7,600m, double corrosion protected Ø 50mm DYWIDAG Tie Rods made of GEWI® steel

DYWIDAG Systems for US-American Base in Guam, Micronesia, USA



i **Owner** US Navy, Naval Base Guam, USA +++ **General Contractor** Black Construction Corporation, Guam, USA +++
Architect-Engineers Wilson Okamoto Corporation, Honolulu, Hawaii, USA
DYWIDAG Unit DYWIDAG-Systems International USA Inc., USA
DYWIDAG Services Supply
DYWIDAG Products supplied approx. 8,000m (26,000ft.), of Tie Rods with Polyken tape wrap

GEWI® Tie Rods secure Sheet Piling for Quay Wall, Germany



Owner Hafententwicklungsgesellschaft Rostock mbH, Germany +++ **General Contractor** JV Erweiterung LP60 consisting of Bauer Spezialtiefbau GmbH, and Heinrich Hirdes GmbH, both Germany +++ **Engineers** INRS-LACKNER AG, Germany



DYWIDAG Unit DYWIDAG-Systems International GmbH, Germany

DYWIDAG Services Supply

DYWIDAG Products supplied 46. GEWI® Tie Rods, Ø63.5 mm in lengths varying from 20-40m including GEWI® couplers; 78 waler bolts made of Ø 63.5mm GEWI® Bars

New Connecting Road in Sittingbourne enhances the Region's Economic Development, Great Britain



Owner Kent County Council, Great Britain +++ **Contractor** Jackson Civil Engineering Group Ltd., Great Britain +++ **Engineers** Jacobs Engineering Group Inc., Great Britain



DYWIDAG Unit DYWIDAG-Systems International Ltd., Great Britain

DYWIDAG Services Supply

DYWIDAG Products supplied Ø 63.5mm GEWI® Tie Bar; Clevis Connections

The GEWI® System – Connecting Reinforcement

Basic Concept

GEWI® reinforcing steel is B500B steel in accordance with DIN 488 with rolled-on thread on both sides forming a special left-hand thread along the entire bar length. The GEWI® System serves for coupling and anchoring these threadbars and has proven itself countless times during the last decades as an excellent connecting reinforcement on challenging jobsites.

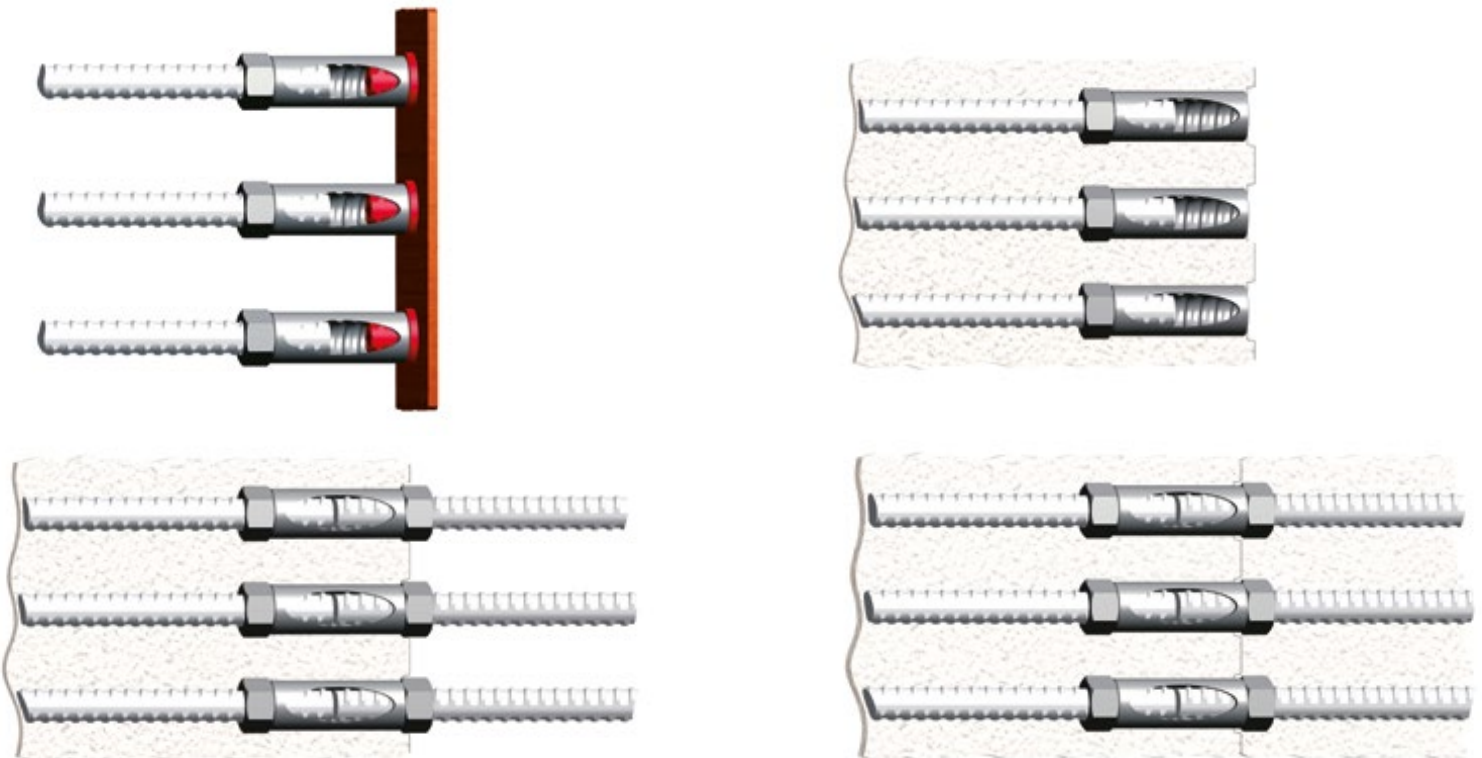
There is no need for using overlap connections and overlapping joints: GEWI® threaded reinforcing steel bars can be coupled directly and axially using couplers. The couplers are designed for transferring the calculational ultimate bar load with a safety factor of over 1.15 – all connections and design states can be realized as full joints independent of whether tensile, compression or alternating loads prevail.

Especially in heavily reinforced structural elements in which distances between individual reinforcing bars can be a problem, the GEWI® System offers major advantages. Areas with double bar levels are no longer necessary and larger passageways for inserting vibrators and pouring the concrete mix are created so that the concrete quality is enhanced.

The GEWI® System also achieves excellent results in the end anchorage area: The anchor lengths of the reinforcing bars can be reduced to a minimum using anchor pieces and plate anchorages, which significantly decreases the amount of steel and concrete that is needed.

Thanks to the coarse and extremely robust GEWI® Thread, GEWI® Threadbars are perfectly suitable for on-site use and can even be screwed when extremely dirty – the same applies to GEWI® nuts.

In the course of time, the GEWI® System has been continuously developed and optimized – a large range of products is available for almost any kind of application.



Fields of Application

- Connecting reinforcement
- Challenging coupling solutions
- Civil engineering
- Construction of power plants

Key Features

- Threadbars with proven coarse GEWI® Thread that is suitable for on-site use – screwable even under extreme conditions
- Thread along the entire length; lengths can be flexibly adjusted on site
- Easy application – thread does not have to be cut on site
- Sufficient coverage can be easily achieved
- Only little space is required during installation
- There is no increase in reinforcement ratio in the connection and anchorage zones
- Approved by the building authorities

Additional Information

Approvals DIBt Z-1.5-76 (Ø 12-32) and Z-1.5-149 (Ø 40-50)

The GEWI® System – Connecting Reinforcement

Technical Data

GEWI® B500B Reinforcing Steel Threadbar

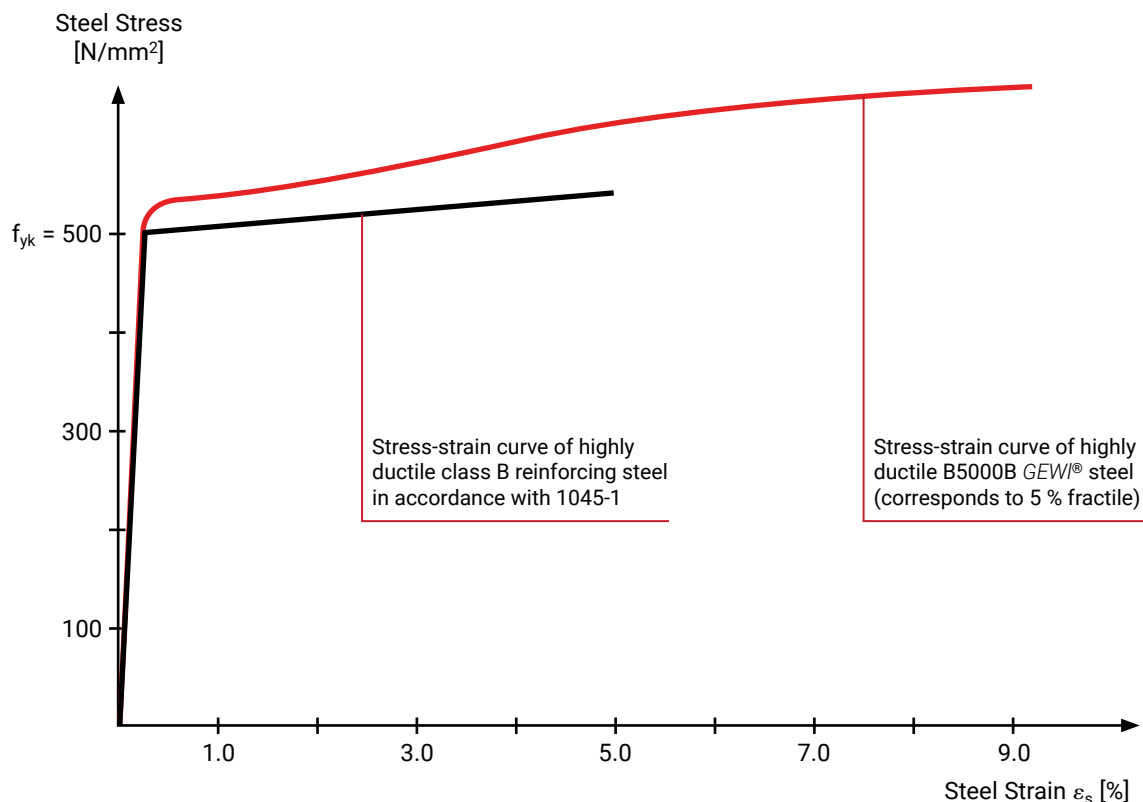
Nominal diameter \varnothing [mm]	Yield strength / tensile strength $f_{0,2k}/f_{tk}$ [N/mm ²]	Cross- sectional area A [mm ²]	Load at yield F_{yk} [kN]	Ultimate load F_{tk} [kN]	Weight [kg/m]	Approval
12	500/550	113	57	62	0.89	○
16	500/550	201	101	111	1.58	○
20	500/550	314	157	173	2.47	○
25	500/550	491	245	270	3.85	○
28	500/550	616	308	339	4.83	○
32	500/550	804	402	442	6.31	○
40	500/550	1,257	628	691	9.86	×
50	500/550	1,963	982	1,080	15.41	×

- DIBt Z-1.5-76
 × DIBt Z-1.5-149

Thanks to excellent characteristics, the GEWI® Threadbar can be classified as a highly ductile bar (class B) in accordance with DIN 1045. It also fulfills all DIN EN 1992 (EC2) requirements.

The diagram shows that GEWI® Threadbars clearly exceed the requirements for standard reinforcing steel.

GEWI® accessories cover all common solid construction connections and anchorage systems. The required equipment such as equipment for countering coupler connections and end anchorages is detailed in the equipment section (see page 55).



Additional Information

Approvals DIBt Z-1.5-76 (\varnothing 12-32) and Z-1.5-149 (\varnothing 40-50)

The FLIMU® System – Connecting Reinforcement

Basic Concept

The extruded coupler splice – respectively, the FLIMU® system – has been developed especially for realizing reinforcing connections in large numbers or very limited space conditions.

When realizing a FLIMU® coupler splice, two reinforcing bars are connected by extruding a coupler that has been placed onto both ends of the reinforcing bars. A reducing ring is pushed over the coupler using a high amount of pressure.

The reducing ring significantly reduces the exterior diameter of the coupler and creates a force fit connection between rebar and coupler (extrusion process).

Both B500 reinforcing steel with normal threads in accordance with DIN 488 and GEWI® reinforcing steel threadbar can be

spliced using the FLIMU® system. This way, even reinforcing bars that have already been installed can be easily coupled to a GEWI® connecting bar.

The FLIMU® system is also suitable for many similar reinforcing steel bars such as Austrian ARI and ARI-G.

Suitability tests can be performed for special applications.

The corresponding extruding equipment has been kept slim on purpose in order to ensure an economic realization of the connections in very limited space and in areas with tight reinforcement layers.

Up to 30 connections per hour are possible if installation is done professionally by trained personnel.

Fields of Application

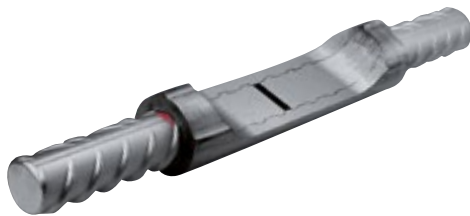
- Connecting reinforcement
- Challenging coupling solutions
- Civil engineering

Key Features

- Bars do not have to be screwed
- Preliminary work at the bars is not required
- High installation performance
- Both threadbars and GEWI® reinforcing bars can be coupled
- Space-saving installation – also for multilayer reinforcement
- The complete equipment and installation aids are on stock
- General building-authority approval for Ø 12 to 32mm

Technical Data

FLIMU® System for B500 & GEWI® and ARI & ARI-G Reinforcing Steel



Nominal diameter Ø	Yield strength / tensile strength $f_{0,2k}/f_{tk}$	Cross- sectional area A	Load at yield F_{yk}	Ultimate load F_{tk}	Weight	Appr.
[mm]	[N/mm ²]	[mm ²]	[kN]	[kN]	[kg/m]	
16	500/550	201	101	111	1,58	○
20		314	157	173	2,47	○
25		491	245	270	3,85	○
28		616	308	339	4,83	○
32		804	402	442	6,31	○
40		1.257	628	691	9,86	
50		1.963	982	1.080	15,41	

○ DIBt Z-1.5-150

Overview Extruders



Extruder	Standard equip- ment for GEWI® Bars Ø	Hydraulic power unit	Weight
	[mm]		[kg]
Typ 150	16 - 20	77-159	43
Typ 250	16 - 28	77-159	75
Typ 420	25 - 32	R13,3	206
Typ 550	32 - 40	R13,3	225
Typ 1000	50	R13,3	740

Additional Information

Approval DIBt Z-1.5-150

FLIMU® System Convinces by Cost Effectiveness: Mittlerer Ring, Munich, Germany



Easy Application – simple Installation



Extruder in Use



On-site Service



Special Balancer in Use



Robust Equipment



Usable even in extremely tight Reinforcement Layers



High Installation Performance

Owner Landeshauptstadt München, Baureferat, Germany +++ **General Contractor** Joint Venture Ingenieurbau LKP, Germany +++ **Contractor** W&F (Wayss & Freytag Ingenieurbau AG); Berger Bau, both Germany +++ **Architect** Baureferat München, HA Tiefbau und HA Ingenieurbau, Germany



DYWIDAG Unit DYWIDAG-Systems International GmbH, BU Geotechnics, Germany

DYWIDAG Services Production and Supply

DYWIDAG Products supplied approx. 35,000, Ø28mm FLIMU® couplers; approx. 20,000, Ø 32mm FLIMU® couplers; rental of equipment

DYWIDAG Jacks

DYWIDAG Jacks are characterized by their robustness and multiple applications. Thanks to different interchangeable parts, the jacks can be adapted to different sizes of tendons. DYWIDAG Jacks are made of high-strength construction materials (steel and / or aluminum alloy).

The sealing and slide faces are precision finished, surface hardened and hard chrome plated. The exterior of the equipment is chromed or galvanized for protection against atmospheric influence. Consequently, all prerequisites for a long service life are fulfilled.

DYWIDAG Equipment is characterized by its robust design and has proven itself for decades in rough on-site use. In our internal workshop, the equipment is assembled, regularly maintained, checked and repaired quickly and economically if needed. Our high standards with regards to material, manufacturing quality and practicable application always ensure the availability of appropriate equipment at the right place.

Post-tensioning jacks are used for tensioning strands and bar anchors, tightening tie rods or carrying out test loads or proof tests on anchors, piles and nails. They are equipped with the matching mounting parts for each application.

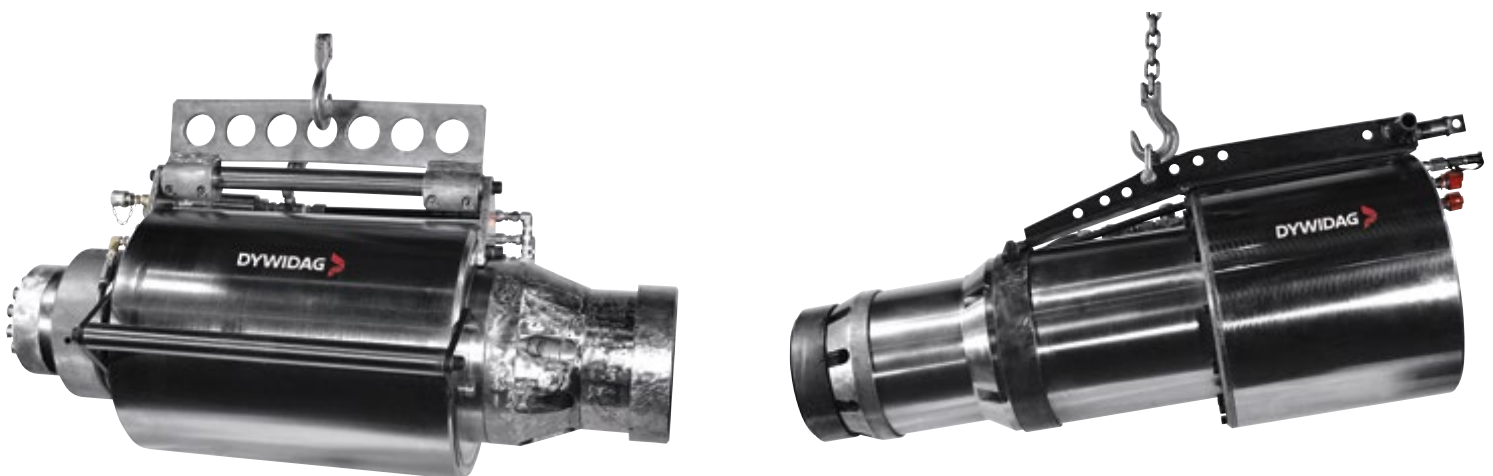
Key Features

- Steel or aluminum design
- Low prices
- Extremely long-lasting in on-site use
- Maximum loads up to 15,000kN

Technical Data

Jack	Nom. str. force	Length	Outer diameter	Stroke	Clear passage	Weight	Standard equipment for				Hydraulic power unit ¹⁾
							Strands	GEWI®	GEWI® Plus	Reinforcing steel	
Type	[kN]	[mm]	[mm]	[mm]	[mm]	[kg]	No.	Ø [mm]	Ø [mm]	Ø [mm]	
HOZ 250	250	580	125	50	33	13		16 - 28			① ⑤
25 Mp	250	550	125	100	48	25					② ⑤
60 Mp	600	600	190	50/100	60	45				26.5	② ⑤
110 Mp	1,100	750	267	50/150	86	55	3 - 5	16 - 50	18 - 43	26.5 - 40.0	② ⑤
1500 kN	1,500	870	310	250	100	125	3 - 7				② ⑤
HOZ 2000	2,000	880	325	150	140	210		63.5	57.5 - 63.5	47	② ③ ⑤
HOZ 3000	3,000	1,200	385	250	162	400	8 - 12			57 - 65	③ ④ ⑤
HOZ 5400	5,400	1,470	482	250	187	600	13 - 22			57 - 75	④
6800 kN	6,800	1,500	560	300	225	1,400	23 - 27				④
9750 kN	9,750	1,600	680	300	260	2,000	28 - 37				④
15000 kN	15,000	3,300	980	500	420	7,000	38 - 61				④

1) for details regarding the recommended hydraulic power units, please see table at the bottom of page 49



Additional Information

Brochure / operating manuals

DYWIDAG Equipment

Hollow-Piston CFRP Cylinders

Carbon Fiber Reinforced Hollow-Piston (CFRP) Cylinders are an optimum alternative to conventional hollow-piston cylinders made of aluminum and steel with weight savings of 60% and more. In most cases, tensioning work can be carried out by one to two workers without the need for lifting tools.

Despite their light weight design, Hollow-Piston CFRP Cylinders are robust and durable and are suitable for tensioning and testing anchors. Thanks to a large variety of different accessories, they can be universally used.

Key Features

- Low weight
- Can be handled by a single person
- No need for lifting tools
- Fast application

Technical Data

Capacity	Jack	max. Strength	Stroke	Clear passage	Weight	Standard equipment for				Hydraulic power unit
						Strands	GEWI®	GEWI® Plus	Reinforcing steel	
[t]	Type	[kN]	[mm]	[mm]	[kg]	No.	Ø [mm]	Ø [mm]	Ø [mm]	
80	L-HK-DZ 080-100-083	897	100	90	17	3	20-40	18-35	26.5-32	⑤ ⑥ ⑦
100	L-HK-DZ 100-150-083	1,018	150	90	24	3-4	25-50	18-43	26.5-36	⑤ ⑥ ⑦
125	L-HK-DZ 125-180-090	1,264	180	90	28	3-7	25-50	18-43	26.5-40	⑤ ⑥ ⑦
140	L-HK-DZ 140-250-105	1,438	250	105	36	3-7	50-63.5	30-57.5	36-47	⑤ ⑥ ⑦
180	L-HK-DZ 180-250-110	1,829	250	110	50	5-9	63.5	57.5-63.5	47	⑤ ⑥ ⑦
200	L-HK-DZ 200-250-130	2,006	250	130	60	7-12		63.5-75	47-57	⑤ ⑥ ⑦
250	L-HK-DZ 250-250-130	2,511	250	130	85	7-12		75	47-65	⑤ ⑥ ⑦
320	L-HK-DZ 320-300-150	3,208	300	150	106	12-15			57-65	⑤ ⑥ ⑦
420	L-HK-DZ 420-250-110	4,219	250	110	99				75	⑤ ⑥ ⑦



Recommended Hydraulic Power Units

Number	Hydraulic power unit	Max. operating pressure	Flow rate	Oil filling	Weight including oil filling	Dimensions L x W x H
	Type	[mm]	[l/min]	[l]	[kg]	[mm]
①	Manual pump P39	700	-	1	6	600 x 150 x 140
②	77-193	600	3	13	60	420 x 380 x 480
③	R 6.4	600	6.4	100	315	1,400 x 700 x 1,100
④	R 11.2	550/600	22.4/11.2	125	630	2,000 x 800 x 1,300
⑤	P06-10	700	2.1	10	45	430 x 360 x 480
⑥	77-193/700	700	3.0	13	60	420 x 380 x 480
⑦	P06-25	700	2.1	25	60	430 x 360 x 480



Additional Information

Brochure / operating manuals

Tensioning Accessories

For the daily use of our jacks and equipment, we offer accessories that are robust, easy to use and perfectly suitable for on-site use.

They are perfectly adapted to individual applications and the equipment used, thus facilitating work and ensuring a fast construction progress.

For clamping the strands easily and safely, our equipment either includes an in-built self-clamping device or a clamping bush that is mounted directly behind the jack.

Additionally, the jack can be equipped with a wedging device for actively force-fitting the anchor wedges of strand anchors.

Special stressing chairs ensure an easy positioning of the jacks as well as permanent control of the wedge seating and allowance for tolerances during the tensioning and tying down of the anchors. When used on bar systems, the anchor nuts can be tightened using a hand ratchet or screwed inside the stressing chair using a driver sleeve.



Re-Stressing Device/Lift-Off Device

With ground anchors, it is sometimes necessary to determine the existing force after installation and lock-off.

If this measure was already taken into account during the manufacture of the anchor and the wedge plate of strand anchors has an external thread, or bar anchors were installed with a corresponding projection, this is technically feasible with little effort.

Occasionally, however, it happens that for strand anchors, the existing anchor force is to be determined later, although this was not originally intended.

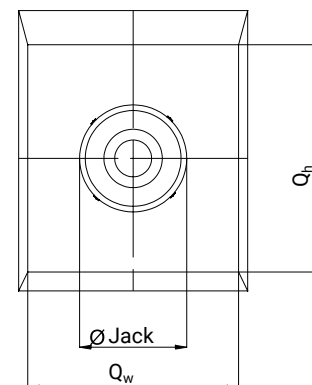
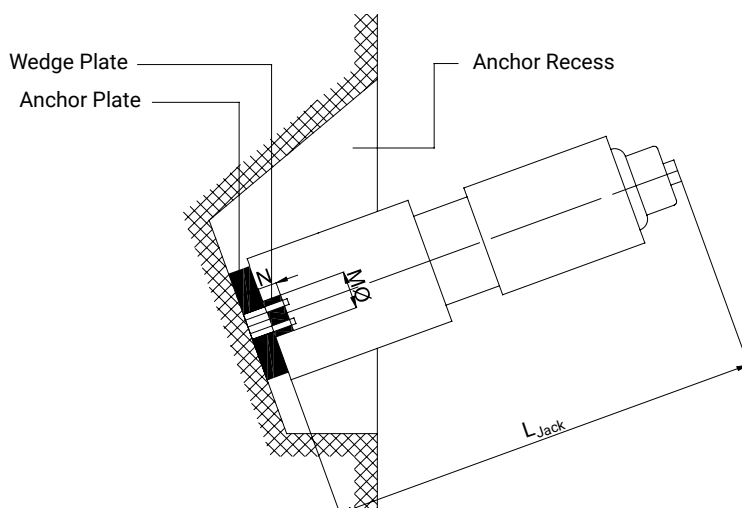
With our patented Lift-Off Device, we can now carry out a lift-off test on strand anchors with smooth wedge plate to determine the anchor force. The wedge plate is gripped with a clamping bell and a stressing jack with tensioning spindle is mounted on top.

The applied force is determined either with a load cell, or calculated using the hydraulic pressure on the hydraulic pump and the piston area of the calibrated stressing jack.

The load steps are determined depending on the expected anchor load.

The anchor-head displacement is measured with a precision dial gauge. During stressing, initially only the tensioning spindle between the anchor head and the nut on top of the stressing jack is stretched. When the existing anchor force is exceeded, the wedge plate lifts off the anchor plate.

As the force increases further, the entire tendon of the anchor in the free length up to the grout body is stretched. For evaluation, a force-displacement diagram can be created. This results in two differently inclined lines whose intersection corresponds to the current anchor force.



Additional Information

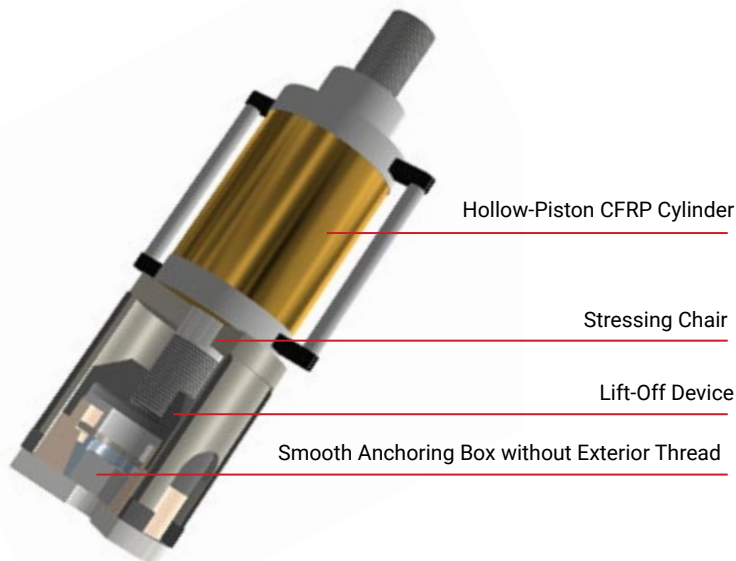
Brochure / operating manuals

Dimensions of the Wedge Plate

Ultimate Force	[kN]	up to 744 kN	up to 1,302 kN	up to 2,232 kN	up to 3,534 kN
Anchor Head M Ø	[mm]	80 - 90	"90, 95, 105, 110, 115"	145 - 155	175 - 185
Anchor Head N	[mm]	min. 40	min. 45	min. 50	min. 65

Required Space for Lift-Off-Device

Pocket $Q_w \times Q_n$	[mm]	330x330	380x380	460x460	560x560
Ø Stressing Jack	[mm]	220	270	330	400
L_{Jack}	[mm]	700	900	900	1,000



Lift-off Tests: Stadtarchiv Koeln, Germany



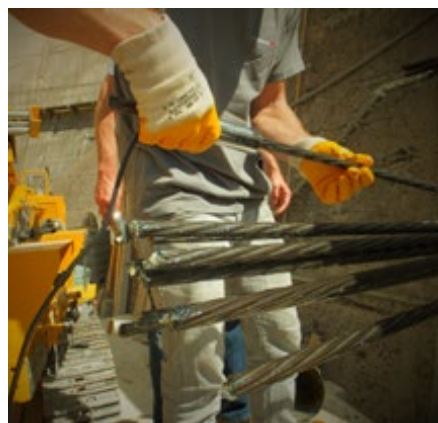
Force / Displacement Measurement

For monitoring installation, tensioning for performance and proof tests and for the long-term controlling of forces, we offer a comprehensive range of measuring equipment such as analog and digital load

cells and length gauges of up to 750mm elongation.

Our special force measuring system DYNA Force® allows an extremely precise readout

of the anchor forces in strands and bars. The contact-free measuring is carried out inside the anchor so that no troublesome external devices have to be placed at the anchor head.



Torque Equipment

Anchorage elements and coupler connections can be countered for minimizing slippage in anchorages and threadbar connections and for increasing fatigue resistance. By defined tightening, the *GEWI®* and *GEWI® Plus* screw parts are tensioned against each other so that the spliced bars cannot be distinguished from non-spliced bars with regards to stress-strain behavior.

In addition, systems for alternating loads can be developed so deformation resistant by countering that a large number of load changes does not have any influence on the load-bearing behavior of the connections and anchorages.

DSI offers manual torque wrenches and hydraulic impact wrenches that cover the complete force range.

In conjunction with specially developed extension and adapter designs, these tools ensure trouble-free installation and efficient work flows. Regular inspections guarantee highest safety standards to eliminate possible risks for the operator and the environment. In our internal workshops, the equipment is regularly maintained, checked and repaired quickly and economically if needed.

Technical Data

Torque Equipment	Type	Force range	Standard equipment for	
			<i>GEWI®</i>	<i>GEWI® Plus</i>
		[kNm]	Ø [mm]	Ø [mm]
DSG 4	manual	max. 0.4	12 - 20	
DSG 5	manual	0.4 - 1.2	20 - 28	18-25
DSG 7	manual	0.8 - 2.0	28 - 32	28 - 30
Type 60	hydraulic	0.3 - 3.0	40	35
Type 150	hydraulic	1.1 - 8.0	50	43
Type 200	hydraulic	2.0 - 16.0	63	57.5 - 63.5
Type 300	hydraulic	3.0 - 25.0		75

Hydraulic torque equipment is supplied as a complete set including matching hydraulic power unit

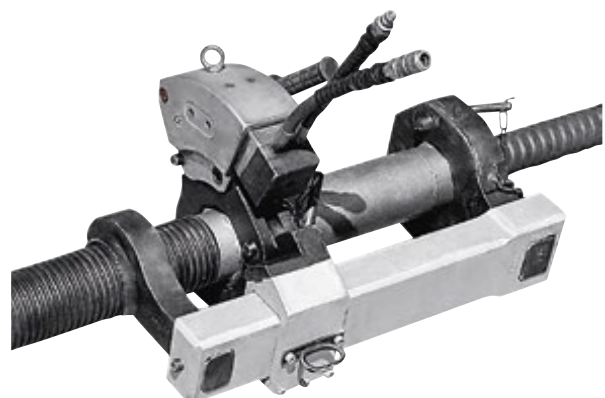
Manual Type DSG Torque Wrench



Hydraulic Torque Equipment, Type 200, complete



High Power Wrench with Bridge, Type 200



Additional Information

Brochure / operating manuals





EMEA

DYWIDAG-Systems International GmbH
Germanenstrasse 8
86343 Koenigsbrunn
Germany
Phone +49-8231-96 07 0
E-mail geotechnik@dywidag-systems.com
www.dywidag-systems.de

North America

DYWIDAG-Systems International USA Inc.
320 Marmon Drive
Bolingbrook, IL 60440
USA
Phone +1-630-7 39 11 00
E-mail dsiamerica@dsiamerica.com
www.dsiamerica.com

South America

PROTENDIDOS DYWIDAG Ltda.
Rua Iaiá, 150 – 10º andar - Cj.102
Itaim Bibi
04542-060-São Paulo/SP
Brazil
Phone +55-11-21 31 37 00
E-mail vendas@dywidag.com.br
www.dywidag.com.br

APAC

DYWIDAG-Systems International Pty. Ltd.
25 Pacific Highway
Bennetts Green, NSW 2290
Australia
Phone +61-2-49 48 90 99
E-mail dsi@dywidag.com.au
www.dsiminingproducts.com/au

Please note:

This brochure serves basic information purposes only. Technical data and information provided herein shall be considered non-binding and may be subject to change without notice. We do not assume any liability for losses or damages attributed to the use of this technical data and any improper use of our products. Should you require further information on particular products, please do not hesitate to contact us.

www.dywidaggroup.com