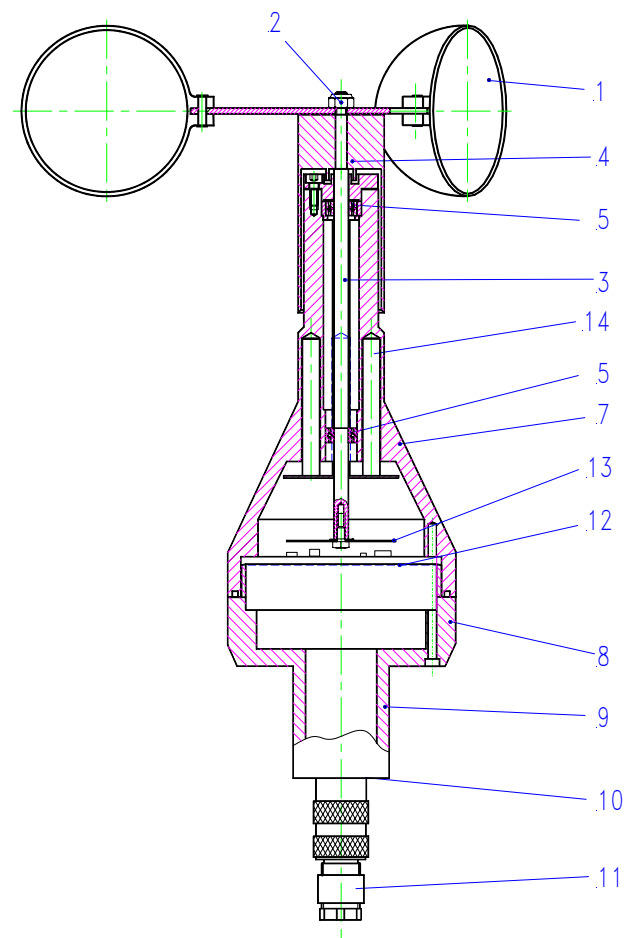


1	03.05		So
Issue	Date		Name



a print plate (12) with a reflection light barrier. By means of chopper wheel (13) on the shaft, this light barrier produces a frequency proportional to the wind speed. The built-in heating, placed in the upper part and controlled by a thermostat., features applications during frost season resp. in cold climate.

Fig. 1: Mechanical design



Discription

The wind speed sensor serves for transmission of electrically measured values of the wind speed. It is designed for operation in meteorology and environmental protection, e.g. automatic weather stations, at airports, on research vessels, at industrial sites, for mobile measuring systems etc..

The instrument's rugged construction and its dust- and water repellent surface, as well as the optional high performance heating enable heavy duty applications like wind energy measurement or operation under severe climatic conditions.

Thanks to various simultaneously usable outputs and further options it is suitable for a wide range of measuring tasks (refer to "ordering code").

Mechanical design and principle of operation

The sensor is designed as cup anemometer. Its basic construction is shown on fig. 1. The cup assembly comprises three cups (1), made of polypropylene. The hub (4) and is tightened by means of a self securing nut (2). The shaft (3), made of stainless steel, is guided by two precision ball bearings (5), lubricated by a special oil with negligible change of viscosity within a wide temperature range. The housing consists of an upper (7) and a lower part (8).

These parts, as well as the hub, are made of a special coated aluminium alloy, featuring water repellence and corrosion protection. Sealing between upper and lower part is achieved by means of an O-ring. The pivot (9) at the lower part has a size Ø34 x 40 mm and serves for fastening on a cross arm or similar. At the bottom of the pivot there is a socket (10) and plug (11) for a waterproof cable connection according to standard IP 67. The upper part contains

Electrical design and principle of operation

The reflecting wheel, made of special plated aluminium, is equipped with 15 black segments. During rotation these segments pass the light barrier and create a sequence of reflection and absorption pulses, in a frequency proportional to the wind speed. Due to precise adjustment of the cup assem-

bly radius there is an exact relation between rotational speed and windrun; the corresponding windrun to one rotation is 1.5 m. As there are 15 segments on the rotating wheel a resolution of $1.5/15 = 0.1$ m windrun results and the corresponding frequency output to a measuring range 0...70 m/s is 0...700 Hz. The subsequent electronic circuitry converts this signal to a digital output, resp. further analog outputs (refer to "Technical Data").

Construction of the heating

The heating consists of a power transistor, controlled by a separate circuitry with temperature sensor. The high performance heating versions are equipped with 4 cylindrical heaters (14) with 60 W max. heating power.

For further signal processing, such as averaging etc., refer to product group 1, especially datalogger COMBILOG (LT).

additionally, for version 441218:

analog:	0...60 m/s = 0...1 V 0...60 m/s = 0...20 mA 0...60 m/s = 4...20 mA
Admissible load:	approx. 400 Ohm
Admissible ambient temperature:	-25...+80°C; -40...+80°C with high performance heating
Housing material:	Aluminium alloy
Heating:	controlled by thermostat, approx 7W.
High perf. heating:	max. 60 W
Dimensions:	
Length:	approx. 275 mm
Cup assembly .:	approx. 224 mm
max. housing-::	80 mm
Pivot:	diameter 34 x 40 mm
Connection:	12 p., plug and socket, water- and dust proof according to IP 67
Weight:	approx. 0.685 kg
Measuring cable:	LiY(C)Y 0.25 mm ² (not included)

Technical Data

Measuring range:	0...70 m/s (0...60 m/s with analog outputs)
Max. load:	100 m/s
Starting threshold:	< 0.3 m/s (standard version) 0.21 m/s (sensitive version)
Response length at v = 5 m/s:	< 2.5 m (standard version) 2.0 m (sensitive version)
Accuracy:	+/-0.2 m/s; at v > 15 m/s 2% of range
Compliances:	WMO Guide No. 8/6 th ed. VDI 8786, T.2, 12/2000 MEASNET
Supply:	Electronics:
451218:	12...30 VDC; approx. 50 mA;
451217:	4.8...30 VDC approx. 1.0 mA at 12 V
heating:	10...30VDC; 7W. high performance heating: 24 VDC; 2.7 A
Output:	
digital:	0...70 m/s = 0...700Hz, Open Collector

Ordering Code

Wind speed sensor, Frequency output 0..600 Hz, Open Collector; with built-in heating.	451217
As 451217, but with additional analog outputs 0...20 mA, 4...20 mA and 0...1 V, corresponding 0...60 m/s.	451218
As 451217, but with high performance heating.	451217 - 2
As 451218, but with high performance heating.	451218 - 2
Sensitive version: As above mentioned types but with supplement:	----- - 1

Operating instructions

Installation:

The wind speed sensor has to be placed at a suitable height (for example 10 m for meteorological measurement of the ground wind). There is a number of tilting masts of different heights from 5 - 15 m available for this purpose. Lattice masts up to 80 m height and various telescopic masts can be supplied. In any case it has to be taken care to avoid zones of lee or turbulences!

Before mounting the cup assembly has to be fixed on the shaft of the sensor by means of the nut at the face.

Attention:

Take care that the cup assembly is placed correctly (white spot to be underneath)!

Attention:

Do not mount any wind speed sensors without cup assembly, otherwise (during rain) water could penetrate into the housing of the sensor!

Mounting is possible on a stand with 35 mm internal diameter or on an adapter type 9023 (see sketch, fig.2). In any case a suitable opening (diameter 35 mm) for plug connection has to be considered. For mounting on a cross arm a clamp type 9022 can be used (see sketch, fig. 2). Using both - wind speed and wind direction sensor - a U-shaped crossarm, type 9040, is recommended. Depending on location, the installation of lightning rod, type 9112, is advisable!

Connection:

Connection has to be carried out according to fig. 3.

Maintenance:

The wind speed sensor type 451217/18 operates maintenance-free! After a long use, if there is a decrease of sensitivity, the sensor needs to be checked and, if necessary, the bearings have to be changed.

Fig. 2: Mounting options

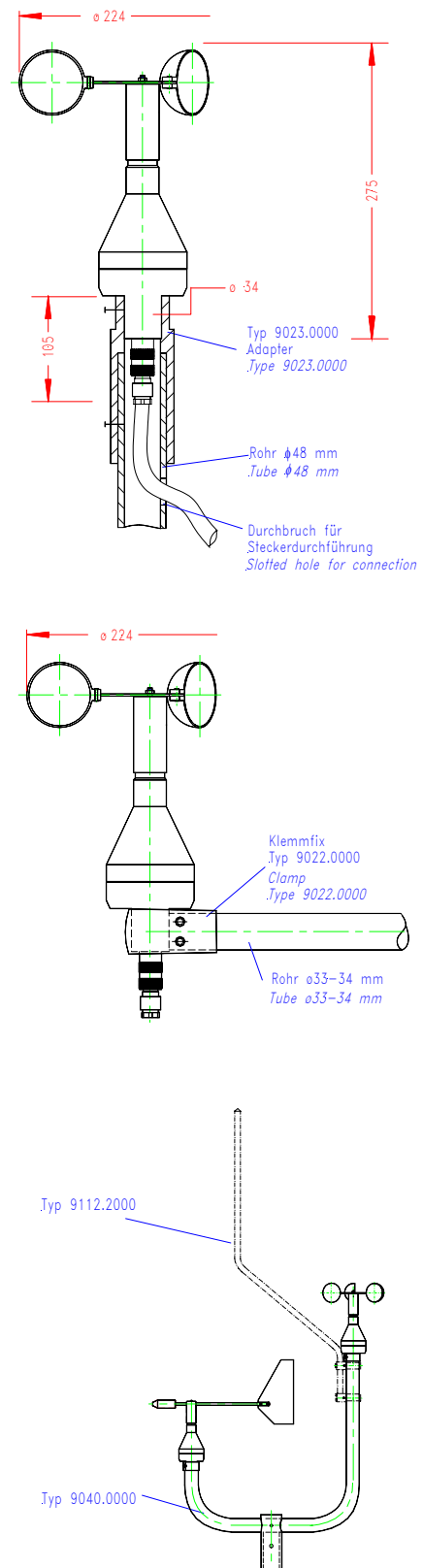
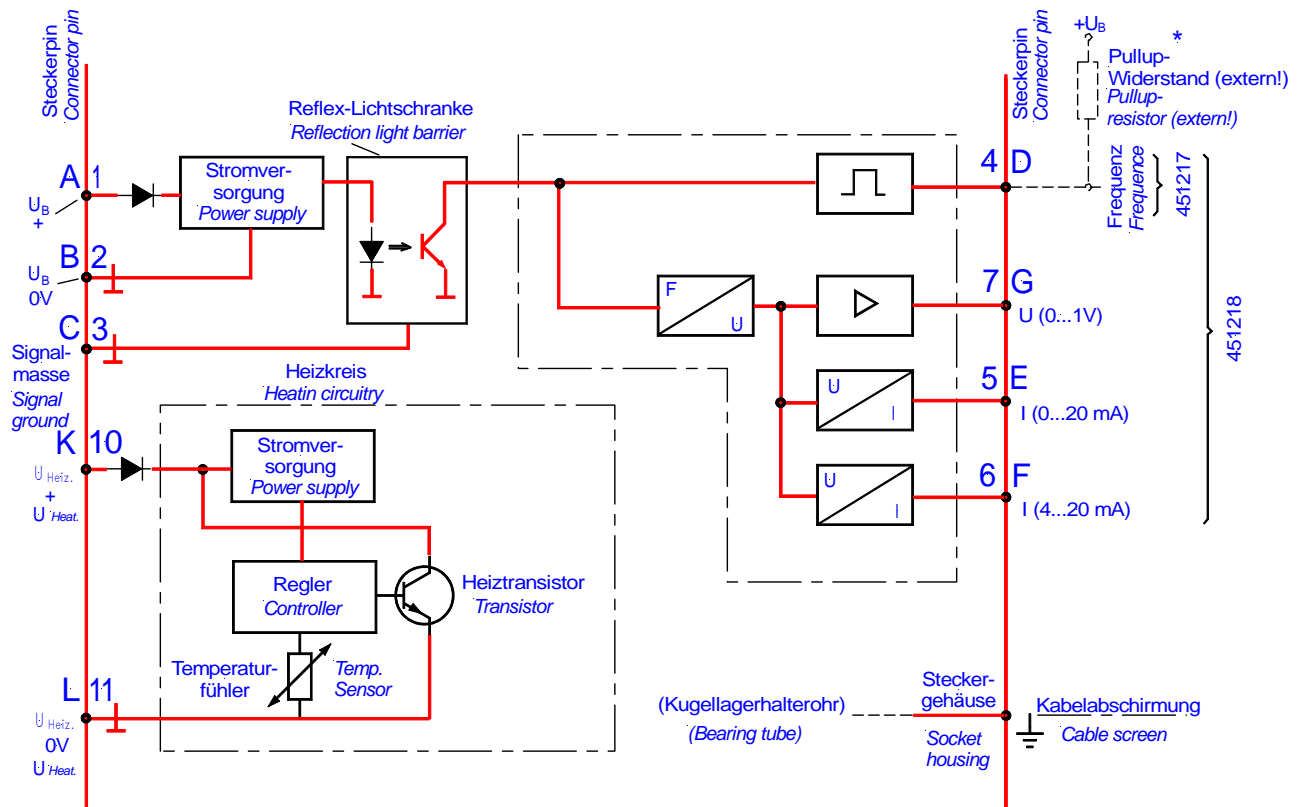


Fig. 3: Block diagram / Connection plan



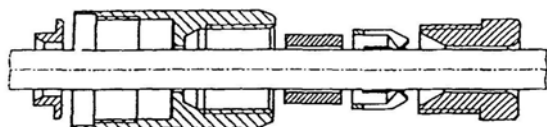
Attention:

When several analog outputs are used simultaneously, each output requires a separate ground wire to be installed directly close to the sensor.

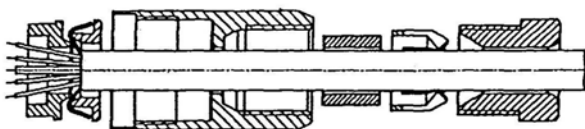
*Pullup resistor not included. The maximum value of the resistor depends on the length of the signal cable. Example for cable length up to 100 m : 20 kΩ .

In case of connecting the sensor to the COMBILOG (LT) an external pullup resistor is not necessary.

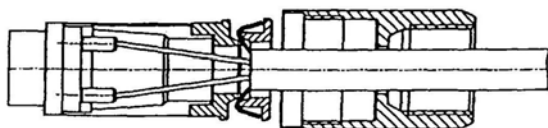
Montageanleitung, Gegenstecker Handling instruction, Connector



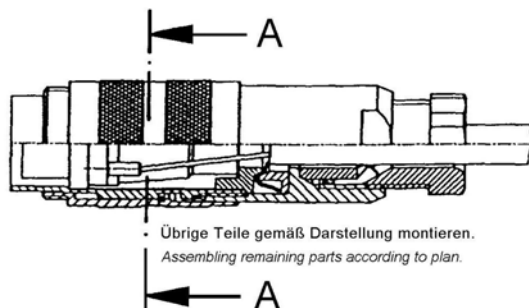
Teile auffädeln
stringing parts



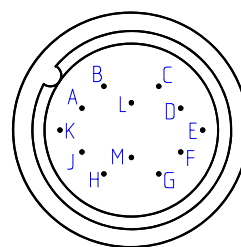
Abisolieren Schirm aufweiten,
Schirmklemmring montieren.
*Stripping, widening of shield,
assembling shield clamping ring.*



Litze anlöten, Distanzhülse überschnappen,
überstehenden Schirm abschneiden.
*Soldering wire, tripping distance bush,
cutting off projecting shield.*



• Übrige Teile gemäß Darstellung montieren.
Assembling remaining parts according to plan.



Schnitt A-A; vergrößert

The Fischer company reserves the right to make changes/improvements to their products and to their specifications at any time without prior notice to anyone.



Feingerätebau K.Fischer GmbH
Venusberger Straße 24
D-09430 Drebach
Germany

Phone +49 (0) 37341 / 487-0
Fax +49 (0) 37341 / 487-30
E-mail info@fischer-barometer.de
Internet www.fischer-barometer.de