

Chockfast



SHIPBUILDING & REPAIR SOLUTIONS

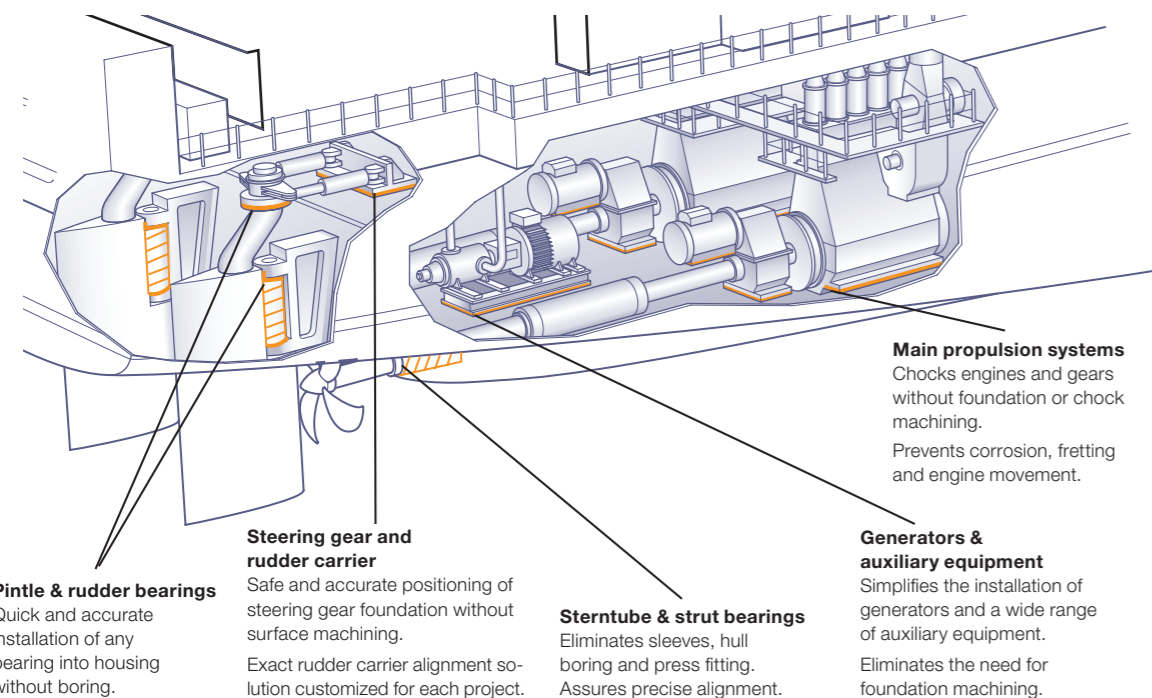
CHOCKFAST® PRODUCTS FOR CHOCKING MARINE ENGINES, PROPULSION SYSTEMS AND STERN TUBE APPLICATIONS.

CHOCKFAST® ORANGE CHOCKING COMPOUND

The Main Engine is the most expensive, most important and hardest working component on any ship. To keep a vessel at sea running smoothly, maintaining the precise alignment of the Main Engine with the Propulsion System is critical.

The excellent structural properties of Chockfast® Orange enable it to hold the precise alignment of such critical machinery throughout its working life. This reduces the risk of breakdowns by minimizing wear and tear of seals, bearings and couplings thereby reducing the operating cost of the vessel.

Approved by all major Classification Societies, Chockfast® Orange provides a convenient chocking solution for all types of machinery and equipment. The formulation is designed to be user friendly. The quantity of hardener mixed with the resin can be adjusted to varying conditions of steel temperature and chock thickness, making it easy to use in hot and cold weather.



EXPERT SOLUTIONS FOR MACHINERY AND EQUIPMENT INSTALLATIONS TO THE MARINE INDUSTRY WORLDWIDE.

As pioneers of resin chocking systems for installing critical machinery onboard oceangoing vessels, our Chockfast® products are the industry standard for chocking of Main Engines and Propulsion Systems. We continue to provide the marine industry with time proven solutions that ensure cost and process efficiencies using high performance polymers.

Our experienced global distributor network assures reliable, high precision installation of critical machinery on ships being built at any shipyard in the world. Our best testimonial is the time proven performance of our Chockfast® Chocking Compounds and Phillymastic Tank Seating products installed on tens of thousands of ships plying all over the world over the last several decades.

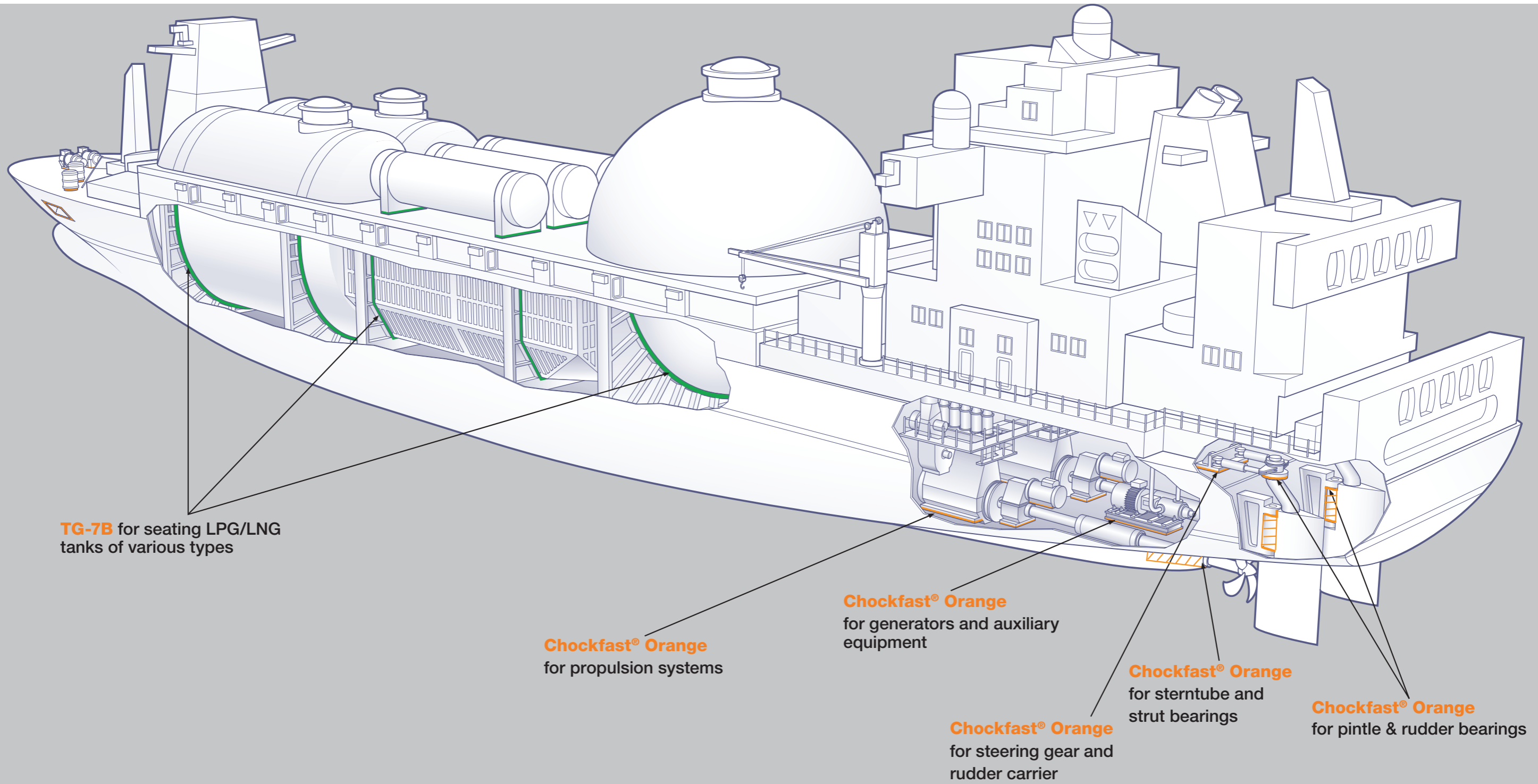
Our Machinery Chocking and Tank Seating products are approved by all the major Classification Societies including;

- ABS
- Bureau Veritas
- Class NK
- DNV GL
- Korean Register of Shipping
- Lloyd's Register

Chockfast® products are supplied through a highly experienced global network of distributors, who have successfully installed more than 50,000 Main Engines at shipyards around the world. It is the premier Chocking Compound in the Marine industry, known for its excellent quality and reliable performance for over 50 years.

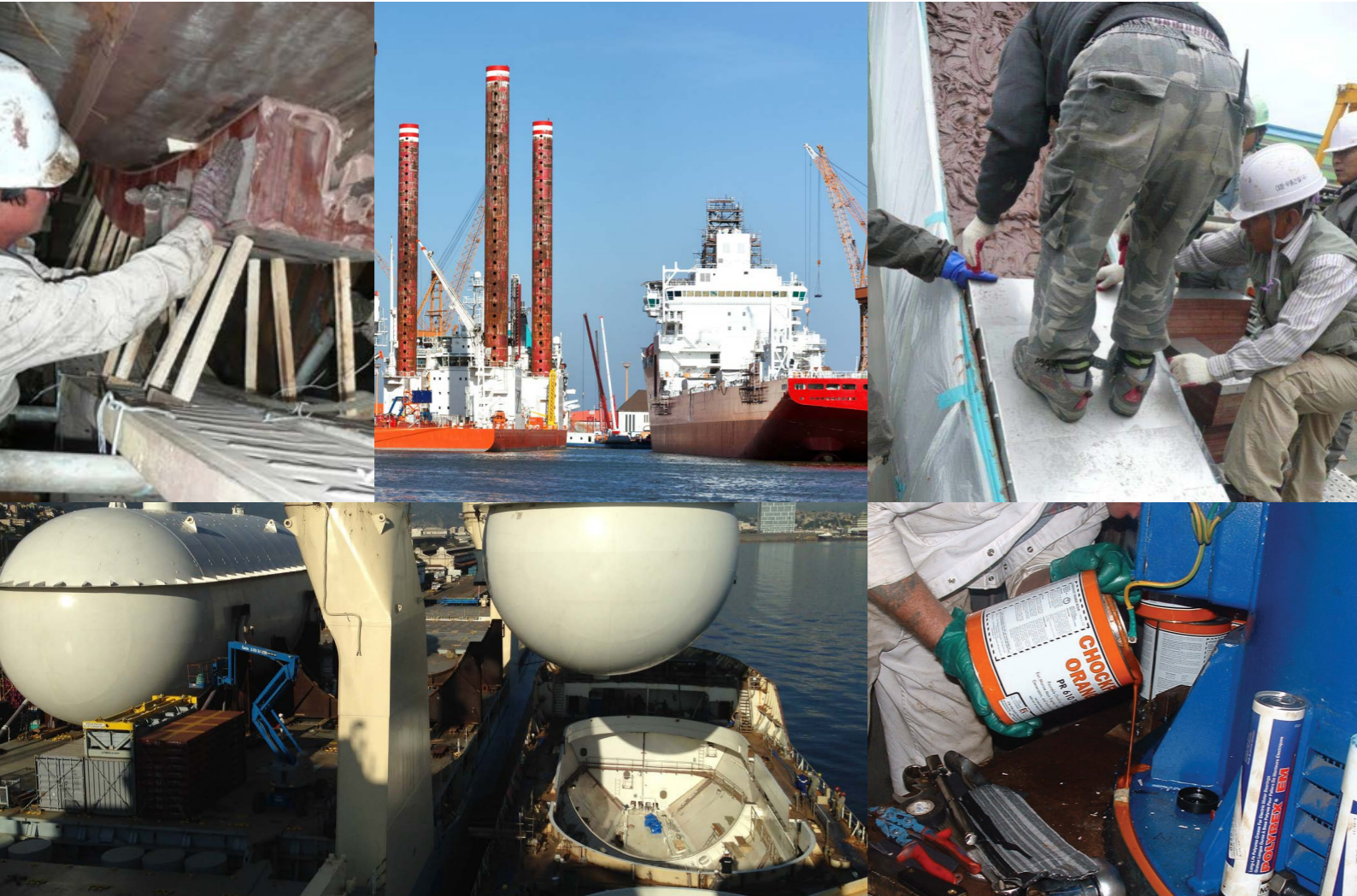
CHOCKFAST® ORANGE
the reliable, poured-in-place,
epoxy resin chocking system
used to install more than
50,000 main propulsion
engines... plus auxiliaries
over a 50 year period.





INSTALLATION OF EQUIPMENT

The ship illustration shows the areas of application for Chockfast® Orange and TG-7B.



TG-7B EPOXY MASTIC & LIQUID

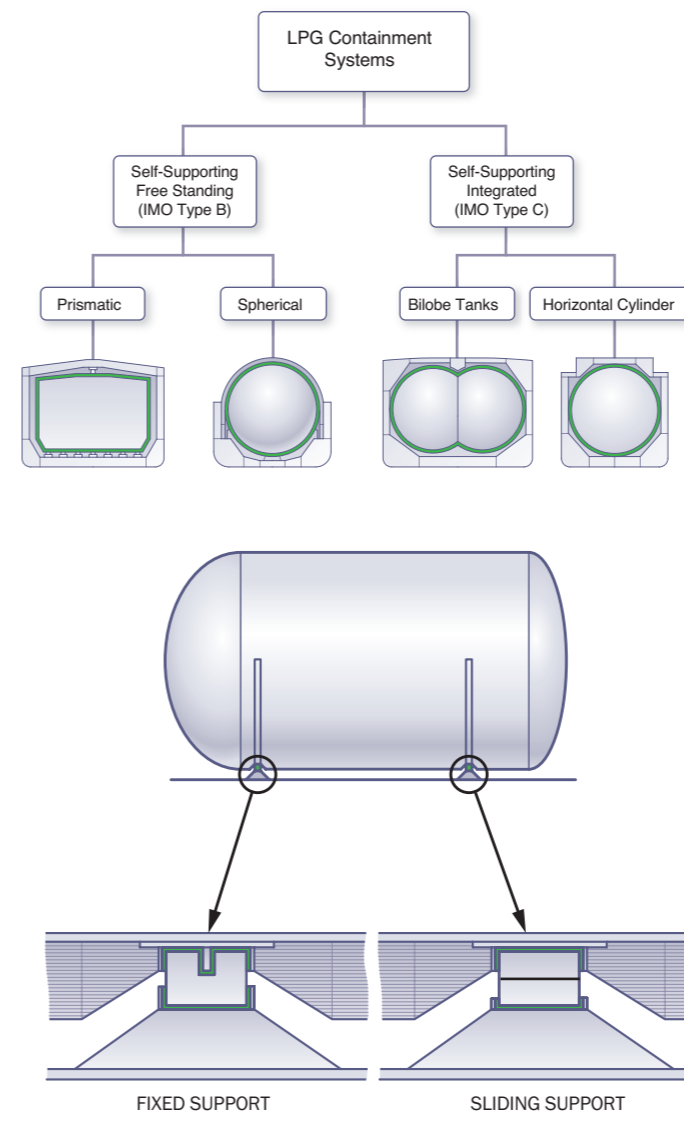
As the demand for clean fuel continues to rise, so does the market for LPG and LNG carriers. These specialized vessels hold large tanks that carry the liquefied gas in cryogenic conditions.

The cryogenic tanks are primarily supported by wooden blocks made of a special grade of laminated wood. TG-7B, in paste or liquid form, is used at the interface between the wood and the tank to create a uniform load bearing surface under the tank.

In addition to its load bearing capability, TG-7B withstands seawater and hydrocarbon vapours, making it suitable for this application. This two-component epoxy mastic/liquid can resist temperatures ranging from -165°C to +40°C while accommodating the thermal contraction and expansion of the tanks in service.

TG-7B APPLICATION AREAS

TG-7B is designed to be applied on or under the supporting wooden components in the mounting of all types of LPG/LNG tanks including sliding and fixed support, anti-floating chocks and anti-rolling chocks



ITW Performance Polymers

North America

30 Endicott Street
Danvers
MA 01923
T. +1 978-777-1100
F. (978) 774-0516
E: info@itwpp.com
www.itwperformancepolymers.com

ITW Performance Polymers

North America

130 Commerce Drive
Montgomeryville, PA 18936
T: 215-855-8450
E: customerservice.na@itwpp.com
www.itwperformancepolymers.com

ITW Performance Polymers

Europe

Bay 150
Shannon Industrial Estate
Shannon, County Clare
Ireland
T. +353 61 771 500
E: customerservice.shannon@itwpp.com
www.itwperformancepolymers.com

ITW Performance Polymers

Europe

Gasvaerksvej 46
9000 Aalborg
Denmark
T: +45 9816 7011
E: customerservice.aalborg@itwpp.com
www.itwperformancepolymers.com

ITW Polymers Asia

10,27F, Xingyuan Building
No. 418, Guiping Rd.
Cao He Jing Hi-Tech Park
Shanghai
China 200233
T. 021-54261212
www.itwppchina.com

30-32 Enoki-cho,
Suita, Osaka 564-0053
Japan
T. +81-6-6330-7118
www.itwppjapan.com

13th floor, PAX Tower, Unit B
231-13, Nonhyeon-Dong, Gangnam-Gu
Seoul, Korea 135-010
T. +82-2-2088-3560
www.itwppkorea.com

ITW PP&F

Brazil

Rua Antonio Felamingo, 430
Macuco, Valinhos, SP 13279-452
T: +55 19 2138-7600
www.itwppf.com.br

Chockfast
www.itwperformancepolymers.com

