

# КранШталь



SH 5



**Explosiongeschützte Seilzüge** \_  
Originalteilleiste

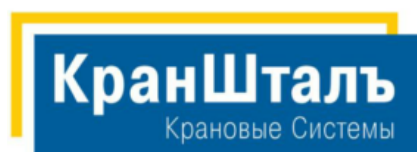
↘ DE

**Explosion-Protected Wire Rope Hoists** \_  
Original parts list

↘ EN

⊕ II 2 G (ATEX) - Zone 1

⊕ II 2 D (ATEX) - Zone 21



<http://kranstahl.ru>  
[info@kranstahl.ru](mailto:info@kranstahl.ru)

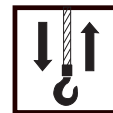
Partner of



+7 (495) 225-37-88



**Notizen**  
**Notice**



|                        |    |                         |    |
|------------------------|----|-------------------------|----|
| Hubmotor .....         | 4  | Hoist motor .....       | 4  |
| Zwischengetriebe ..... | 8  | Intermediate gear ..... | 8  |
| Getriebe .....         | 10 | Gear .....              | 10 |
| Seiltrommel .....      | 11 | Rope drum .....         | 11 |
| Seilaufhängung .....   | 13 | Rope suspension .....   | 13 |
| Hakengeschirr .....    | 15 | Bottom hook block ..... | 15 |
| Hakentraverse .....    | 17 | Hook traverse .....     | 17 |
| Hakenflasche .....     | 18 | Bottom hook block ..... | 18 |
| Gerätekasten .....     | 22 | Control panel .....     | 22 |
| Steuergerät .....      | 25 | Control pendant .....   | 25 |
| Fahrwerke .....        | 26 | Trolleys .....          | 26 |
| Fahrtriebe .....       | 29 | Travel drives .....     | 29 |
| Drehmomentstütze ..... | 40 | Torque support .....    | 40 |

Austausch und Reparaturen nur von geschultem Personal ausführen lassen.

Replacement and repairs may only be carried out by trained personnel.

Die Angaben in der Spalte "Benennung" dienen nur internen Vorgängen.

The information in the column "Designation" is only for internal use.

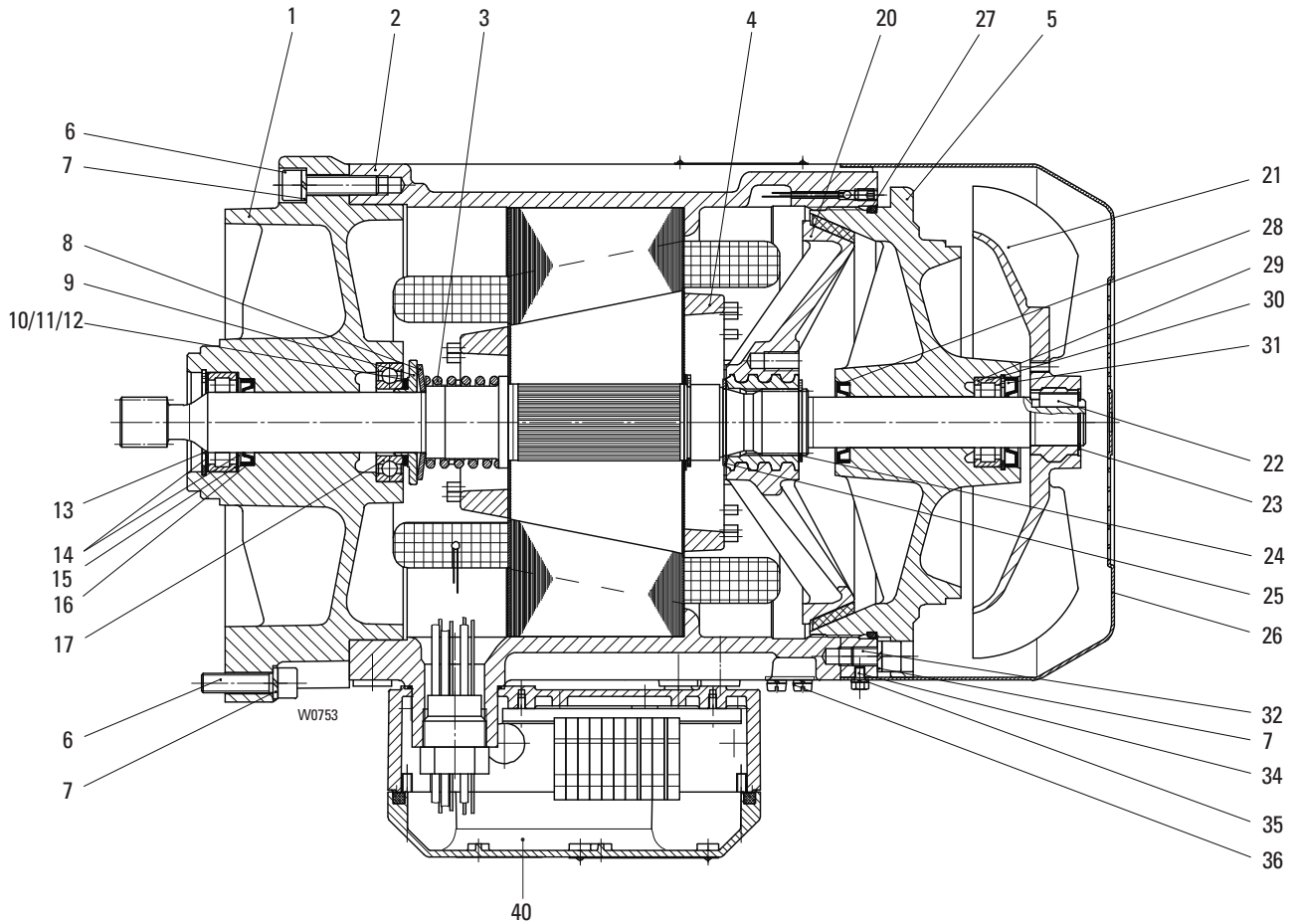
**Bitte immer die Fabrik-Nr. des Hebezeuges angeben.**

**Please always state hoist serial number.**

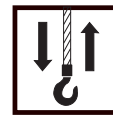


**Originalteile**  
**Original parts**  
**SH 5 ex**

**A4 ex**



| Pos | Teil-Nummer<br>Part-Number | Stück<br>Piece | Beschreibung<br>Description | Benennung<br>Designation |
|-----|----------------------------|----------------|-----------------------------|--------------------------|
|     | 44 330 47 11 0             | 1              | 2/12A4 IIB *1 1)            | Motor                    |
|     | 44 330 48 11 0             | 1              | 2/12A4 IIC *1 1)            | Motor                    |
| 1   | 44 331 24 03 0             | 1              | IIB                         | Motorflansch             |
|     | 44 331 25 03 0             | 1              | IIC                         | Motorflange              |
| 2   | 44 330 74 12 9             | 1              | 2/12A4                      | Stator                   |
| 3   | 44 331 00 94 0             | 1              |                             | Druckfeder               |
|     |                            |                |                             | Ressure spring           |
| 4   | 44 330 32 13 0             | 1              |                             | Rotor                    |
|     | 44 330 33 13 0             | 1              |                             | Rotor                    |
| 5   | 44 330 52 37 0             | 1              | IIB (Pos.28-31)             | Motordeckel              |
|     | 44 330 53 37 0             | 1              | IIC (Pos.28-31)             | Motor cover              |
|     | 44 330 54 37 0             | 1              | IIC 4) (Pos.28-31)          |                          |
| 6   | 500 149 0                  | 8              | M10x40                      | Zyl-Schraube             |
|     |                            |                |                             | Socket head cap screw    |
| 7   | 506 904 0                  | 12             | 10                          | Federring                |
|     |                            |                |                             | Spring washer            |
| 8   | 43 331 01 14 0             | 1              | 60x32,5x4,35x0,3            | Tellerfeder              |
|     |                            |                |                             | Cup spring               |
| 9   | 44 331 20 51 0             | 1              |                             | Abstandsring             |
|     |                            |                |                             | Spacer ring              |
| 10  | 44 331 00 52 0             | 1              | 45/35/0,5                   | Scheibe                  |
|     |                            |                |                             | Disc                     |
| 11  | 506 825 0                  | 1              |                             | Passscheibe              |
|     |                            |                | DIN 988                     | Ajusting washer          |
| 12  | 44 331 01 52 0             | 1              | 35x45x0,345/35/1            | Scheibe                  |
|     |                            |                |                             | Disc                     |
| 13  | 506 107 0                  | 1              | 52x2                        | Sicherungsring           |
|     |                            |                | DIN 472                     | Circlip                  |
| 14  | 43 331 02 52 0             | 1              | 25/34/1                     | Scheibe                  |
|     |                            |                |                             | Disc                     |
| 15  | 560 846 0                  | 1              | RNU 205 E                   | Zyl-Rollenlager          |
|     |                            |                | DIN 5412                    | Roller bearing           |
| 16  | 561 862 0                  | 1              | DG 31,5x45x7 W-FP           | Wellendichtring          |
|     |                            |                |                             | Shaft seal               |
| 17  | 560 067 0                  | 1              | 6007-2RS-C3                 | Rillenkugellager         |
|     |                            |                | DIN 625                     | Grooved ball bearing     |
| 20  | 44 330 20 18 0             | 1              |                             | Bremsscheibe             |
|     |                            |                |                             | Breake disc              |
| 21  | 44 331 20 15 0             | 1              |                             | Lüfterrad                |
|     |                            |                |                             | Fan wheel                |
| 22  | 537 902 0                  | 1              | B8x7x20                     | Passfeder                |
|     |                            |                | DIN 6885                    | Key                      |



| Pos | Teil-Nummer<br>Part-Number | Stück<br>Piece | Beschreibung<br>Description | Benennung       | Designation            |
|-----|----------------------------|----------------|-----------------------------|-----------------|------------------------|
| 23  | 506 428 0                  | 1              | 24x1,2                      | Sicherungsring  | Circlip                |
| 24  | 506 099 0                  | 1              | 35x1,5                      | Sicherungsring  | Circlip                |
| 25  | 44 331 20 74 0             | 1              | 45/35,1/1,5                 | Scheibe         | Disc                   |
| 26  | 44 331 02 40 0             | 1              |                             | Lüfterhaube     | Fan cover              |
| 28  | ... ..                     | 1              | A27x42x7                    | Wellendichtring | Shaft seal             |
| 29  | ... ..                     | 1              | RNU 204 E                   | Zyl-Rollenlager | Roller bearing         |
| 30  | ... ..                     | 1              | 47x1,75                     | Sicherungsring  | Circlip                |
| 31  | .. .. .                    | 1              |                             | Wellendichtring | Shaft seal             |
| 32  | 500 985 0                  | 4              | M10x16                      | Zyl-Schraube    | Socket head cap screw  |
| 34  | 500 419 0                  | 4              | M5x8                        | Skt-Schraube    | Hexagon head cap screw |
| 35  | 506 042 0                  | 4              | A5                          | Federring       | Spring washer          |
| 36  | 46 330 70 81 0             | 1              |                             | Erdungsklemme   | Earth clamp            |
| 40  | 02 220 20 02 0             | 1              |                             | Anschlusskasten | Terminal box           |

\*1 Bitte angeben: Abtriebswelle Linksschräg: rechtsschräg; geradverzahnt

1) Bitte Betriebsspannung und Frequenz angeben.

2) Ausführung linksschräg

3) Ausführung rechtsschräg

4) hartverchromt

\*1 Please state: with output shaft left-handed; right-handed; spur-toothed

1) Please state operating voltage and frequency.

2) Left-hand design

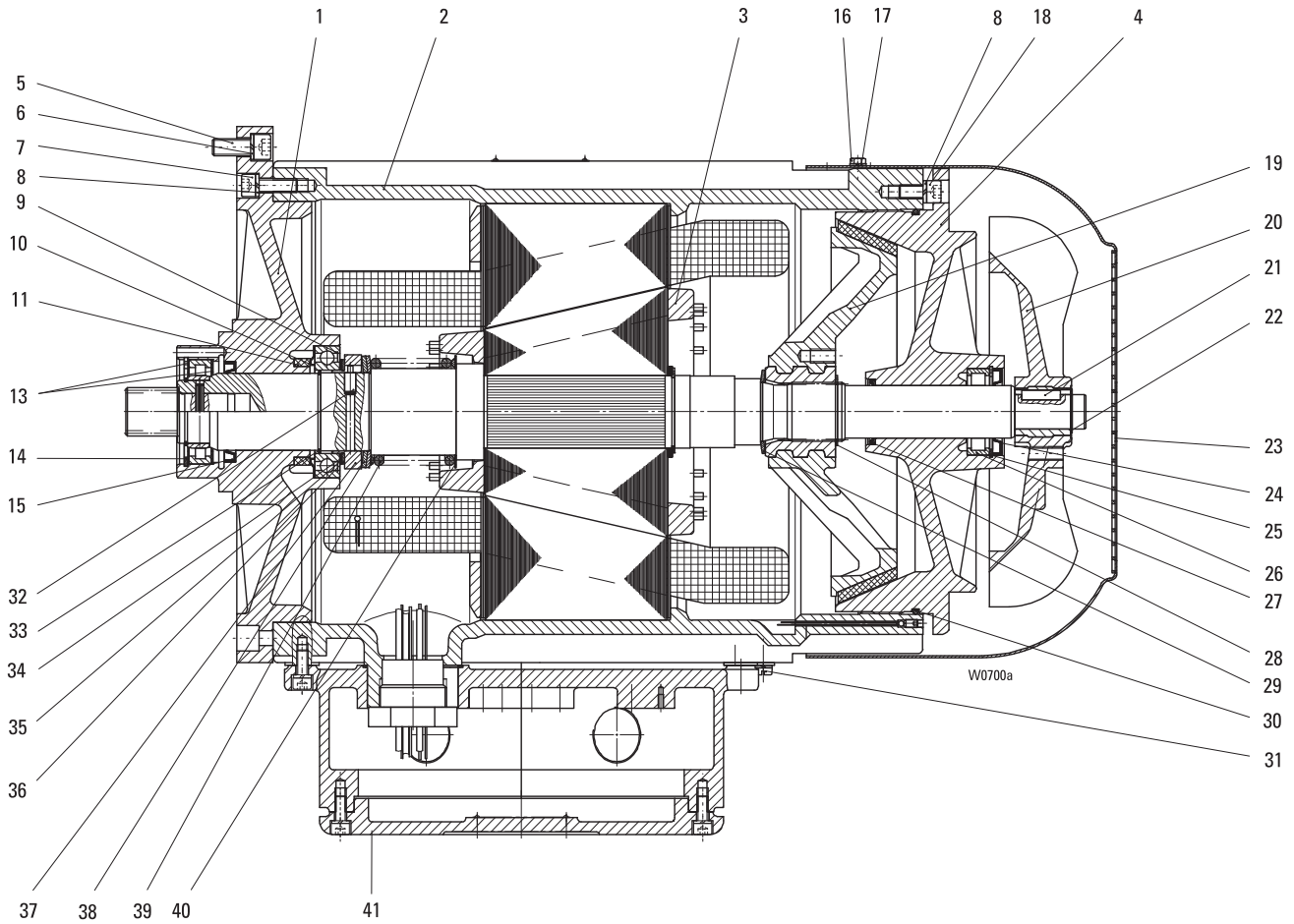
3) Righthand design

4) Hard chrome plated

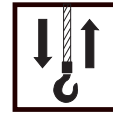


**Originalteile**  
**Original parts**  
**SH 5 ex**

**A6 ex**



| Pos | Teil-Nummer<br>Part-Number | Stück<br>Piece | Beschreibung<br>Description | Benennung<br>Designation | Designation            |
|-----|----------------------------|----------------|-----------------------------|--------------------------|------------------------|
|     | 46 330 28 11 0             | 1              | 2/12A6 IIB *1 1)            | Motor                    | Motor                  |
|     | 46 330 29 11 0             | 1              | 2/12A6 IIC *1 1)            |                          |                        |
| 1   | 46 331 25 03 0             | 1              | IIB                         | Motorflansch             | Motor flange           |
|     | 46 331 26 03 0             | 1              | IIC                         |                          |                        |
| 2   | 46 330 74 12 9             | 1              | 2/12A6 IIC 1)               | Stator                   | Stator                 |
| 3   | 46 330 56 13 0             | 1              |                             | Rotor                    | Rotor                  |
|     | 46 330 57 13 0             | 1              |                             |                          |                        |
| 4   | 46 330 53 37 0             | 1              | IIB (Pos. 24-27,30)         | Motordeckel              | Motor cover            |
|     | 46 330 54 37 0             | 1              | IIC (Pos. 24-27,30)         |                          |                        |
|     | 46 330 55 37 0             | 1              | IIC 4) (Pos. 24-27,30)      |                          |                        |
| 5   | 500 151 0                  | 8              | M12x30 ISO 4762-8.8         | Zyl.-Schraube            | Socket head cap screw  |
| 6   | 506 905 0                  | 8              | 12 DIN 7980                 | Federring                | Spring washer          |
| 7   | 500 236 0                  | 8              | M10x30 DIN 912 -8.8         | Zyl.Schraube             | Socket head cap screw  |
| 8   | 506 904 0                  | 12             | 10 DIN 7980                 | Federring                | Spring washer          |
| 9   | 560 841 0                  | 1              | 6012-ZR DIN 625             | Rillenkugellager         | Grooved ball bearing   |
| 10  | 561 890 0                  | 1              | 6012 JKS                    | Nilosring                | Nilos ring             |
| 11  | 46 331 20 95 0             | 1              |                             | Dichtring                | Sealing ring           |
| 13  | 46 331 00 52 0             | 2              |                             | Scheibe                  | Disc                   |
| 14  | 506 379 0                  | 1              | 75x2,5 DIN 472              | Sicherungsring           | Locking ring           |
| 15  | 561 832 0                  | 1              | 55x72x8                     | Wellendichtring          | Shaft seal             |
| 16  | 500 313 0                  | 4              | M6x8 ISO 4017               | Skt-Schraube             | Hexagon head cap screw |
| 17  | 506 043 0                  | 4              | A6 DIN 127                  | Federring                | Spring washer          |
| 18  | 500 147 0                  | 4              | M10x20 ISO 4762 -8.8        | Zyl-Schraube             | Socket head cap screw  |
| 19  | 46 330 20 18 0             | 1              |                             | Bremsscheibe             | Break disc             |
| 20  | 46 331 20 15 0             | 1              |                             | Lüfterrad                | Fan wheel              |
| 21  | 537 048 0                  | 1              | A8x7x28 DIN 6885            | Passfeder                | Feather key            |



| Pos | Teil-Nummer<br>Part-Number | Stück<br>Piece | Beschreibung<br>Description | Benennung        | Designation              |
|-----|----------------------------|----------------|-----------------------------|------------------|--------------------------|
| 22  | 506 097 0                  | 1              | 25x1,2<br>DIN 471           | Sicherungsring   | Locking ring             |
| 23  | 46 331 03 40 0             | 1              |                             | Lüfterhaube      | Fan cowling              |
| 24  | ... ..                     | 1              | A38x62x7<br>DIN 3760        | Wellendichtring  | Shaft seal               |
| 25  | ... ..                     | 1              | 62x2<br>DIN 472             | Sicherungsring   | Circlip                  |
| 26  | ... ..                     | 1              | NJ 206 EC<br>DIN 5412       | Zyl.-Rollenlager | Roller bearing           |
| 27  | ... ..                     | 1              | 37x47x4<br>DIN 3760         | Wellendichtring  | Shaft seal               |
| 28  | 506 248 0                  | 1              | 42x1,75<br>DIN 471          | Sicherungsring   | Circlip                  |
| 29  | 46 331 20 14 0             | 1              | 60x42,5x3,725x2,5           | Tellerfeder      | Belleville spring washer |
| 30  | 515 979 0                  | 1              | 265x4                       | Runddichtring    | Round sealing ring       |
| 31  | 46 330 71 81 0             | 1              |                             | Erdungsklemme    | earth clamp              |
| 32  | 46 331 03 92 0             | 1              |                             | Stift            | Pin                      |
| 33  | 506 145 0                  | 1              | SW55                        | Spreng ring      | Spring ring              |
| 34  | 46 331 03 52 0             | 1              |                             | Scheibe          | Disc                     |
| 35  | 46 331 04 52 0             | 1              |                             | Scheibe          | Disc                     |
| 36  | 506 911 0                  | 1              | S60x75x3                    | Stützscheibe     | Supporting ring          |
| 37  | 46 331 08 51 0             | 1              |                             | Abstandsring     | Sacer ring               |
| 38  | 46 331 01 94 0             | 1              |                             | Tellerfeder      | Belleville spring washer |
| 39  | 46 331 89 94 0             | 1              |                             | Druckfeder       | Pressure spring          |
| 40  | 506 567 0                  | 1              | 63x80x1<br>DIN 988          | Passscheibe      | Adjusting washer         |
| 41  | 04 330 81 97 0             | 1              |                             | Kastendeckel     | Box cover                |

\*1 Bitte angeben: Abtriebswelle Linksschräg: rechtsschräg; geradverzahnt

- 1) Bitte Betriebsspannung und Frequenz angeben.
- 2) Ausführung linksschräg
- 3) Ausführung rechtsschräg
- 4) hartverchromt

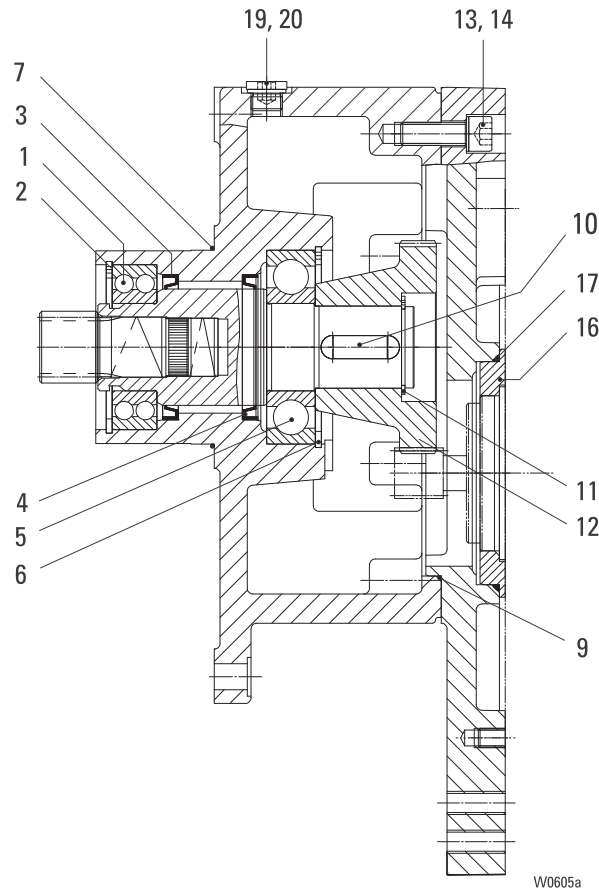
\*1 Please state: with output shaft left-handed; right-handed; spur-toothed

- 1) Please state operating voltage and frequency.
- 2) Left-hand design
- 3) Righthand design
- 4) Hard chrome plated



Originalteile  
Original parts  
SH 5 ex

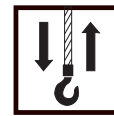
Zwischengetriebe / Intermediate gear  
Motor A4



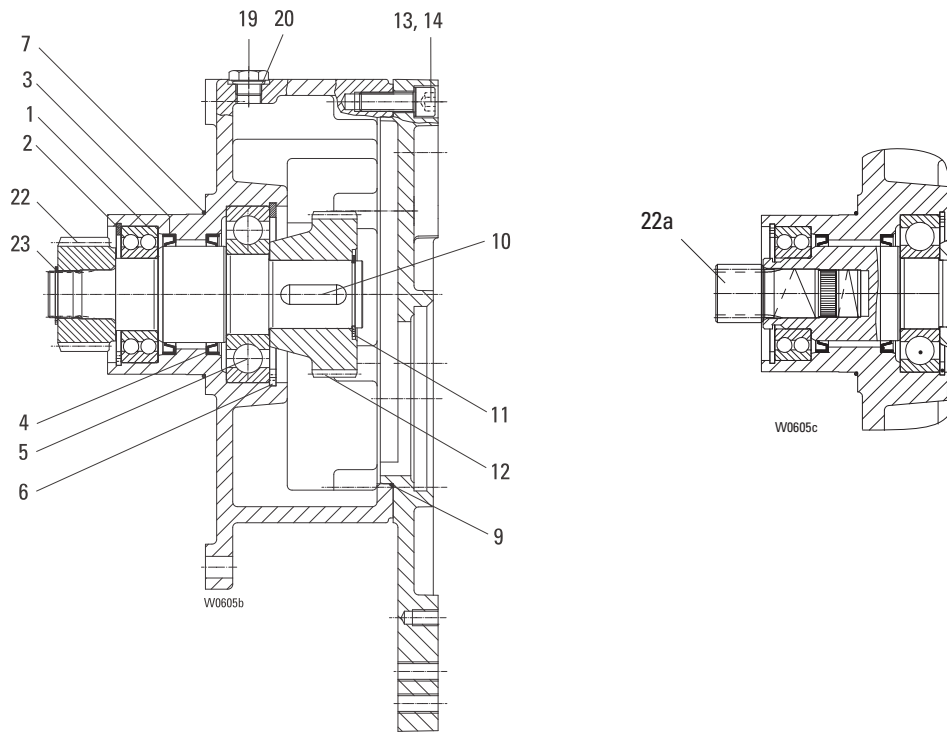
W0605a

| Pos | Teil-Nummer<br>Part-Number | Stück<br>Piece | Beschreibung<br>Description | Benennung           | Designation           |
|-----|----------------------------|----------------|-----------------------------|---------------------|-----------------------|
|     | 25 270 20 30 0             | 1              | Motor A4ex                  | Zwischengetriebe    | Intermediate gear     |
|     |                            | 1              | SH 50...-12                 |                     |                       |
|     |                            | 1              | SH 50...-16                 |                     |                       |
|     | 25 270 21 30 0             | 1              | SH 50...-8                  |                     |                       |
|     |                            | 1              | SH 50...-10                 |                     |                       |
|     | 25 270 22 30 0             | 1              | SH 50...-5                  |                     |                       |
|     |                            | 1              | SH 50...-7                  |                     |                       |
| 1   | 560 166 0                  | 1              | 4209A                       | Rillenkugellager    | Grooved ball bearing  |
| 2   | 506 109 0                  | 1              | 85x3                        | Sicherungsring      | Locking ring          |
| 3   | 561 109 0                  | 1              | 60x75x8 NB                  | Wellendichtring     | Shaft seal            |
| 4   | 561 109 0                  | 1              | 60x75x8 NB                  | Wellendichtring     | Shaft seal            |
| 5   | 560 037 0                  | 1              | 6309                        | Rillenkugellager    | Grooved ball bearing  |
| 6   | 506 264 0                  | 1              | 100x3                       | Sicherungsring      | Locking ring          |
| 7   | 515 028 0                  | 1              | 95x2                        | Runddichtring       | Round sealing ring    |
| 9   | 515 957 0                  | 1              | 230x2                       | Runddichtring       | Round sealing ring    |
| 10  | 537 961 0                  | 1              | B 12x8x28                   | Passfeder           | Key                   |
| 11  | 506 248 0                  | 1              | 42x1,75                     | Sicherungsring      | Locking ring          |
| 12  | 25 273 23 11 0             | 1              |                             | Zahnrad             | Gear wheel            |
| 13  | 500 183 0                  | 8              | M12x35                      | Zyl-Schraube        | Socket head cap screw |
| 14  | 506 841 0                  | 8              | S 12                        | Sicherungsscheibe   | Lock washer           |
| 16  | 25 273 00 49 0             | 1              |                             | Zentrierring        | Eccentric ring        |
| 17  | 515 974 0                  | 1              | 115x3                       | Runddichtring       | Round sealing ring    |
| 19  | 503 011 0                  | 4              | M16x1,5                     | Verschlusssschraube | Locking bolt          |
| 20  | 515 004 0                  | 4              | C16x20                      | Dichtring           | Sealing ring          |





Zwischengetriebe / Intermediate gear  
Motor A6



| Pos | Teil-Nummer<br>Part-Number | Stück<br>Piece | Beschreibung<br>Description | Benennung<br>Designation |
|-----|----------------------------|----------------|-----------------------------|--------------------------|
|     | 25 270 15 30 0             | 1              | Motor A6 ex                 | Zwischengetriebe         |
|     | 25 270 16 30 0             | 1              | SH50..-30                   | Intermediate gear        |
|     |                            | 1              | SH50..-19                   |                          |
|     |                            | 1              | SH50..-24                   |                          |
|     | 25 270 17 30 0             | 1              | SH50..-12                   |                          |
|     |                            | 1              | SH50..-16                   |                          |
| 1   | 560 166 0                  | 1              | 4209A                       | Rillerkugellager         |
| 2   | 506 109 0                  | 1              | 85x3                        | Sicherungsring           |
| 3   | 561 109 0                  | 1              | 60x75x8 NB                  | Wellendichtring          |
| 4   | 561 109 0                  | 1              | 60x75x8 NB                  | Wellendichtring          |
| 5   | 560 037 0                  | 1              | 6309                        | Rillerkugellager         |
| 6   | 506 264 0                  | 1              | 100x3                       | Sicherungsring           |
| 7   | 515 028 0                  | 1              | 95x2                        | Runddichtring            |
| 9   | 515 957 0                  | 1              | 230x2                       | Runddichtring            |
| 10  | 537 961 0                  | 1              | B12x8x28                    | Passfeder                |
| 11  | 506 248 0                  | 1              | 42x1,75                     | Sicherungsring           |
| 12  | 25 273 25 11 0             | 1              |                             | Zahnrad                  |
| 13  | 500 183 0                  | 8              | M12x35                      | Zyl-Schraube             |
| 14  | 506 841 0                  | 8              | S 12                        | Sicherungsscheibe        |
| 19  | 503 011 0                  | 4              | M16x1,5                     | Verschlusschraube        |
| 20  | 515 004 0                  | 4              | C16x20                      | Dichtring                |
| 22  | 25 273 16 11 0             | 1              | SH50..-30                   | Zahnrad                  |
|     | 25 273 17 11 0             | 1              | SH50..-19                   |                          |
|     |                            | 1              | SH50..-24                   |                          |
| 22a |                            | 1              | SH50..-12                   | Ritzelwelle              |
|     |                            | 1              | SH50..-16                   |                          |
| 23  | 506 812 0                  | 1              | 29x1,5                      | Sicherungsring           |

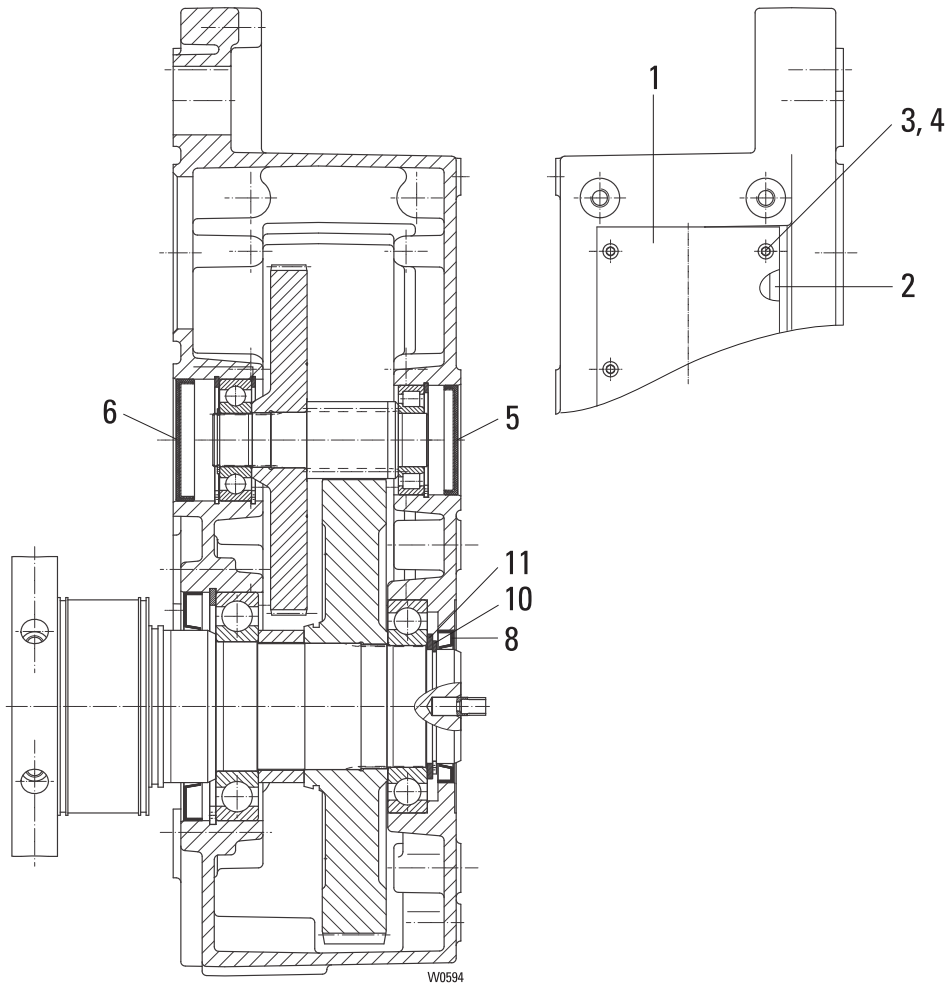
1) nicht lieferbar

1) not deliverable



**Originalteile**  
**Original parts**  
**SH 5 ex**

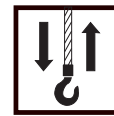
**Getriebe/gear**



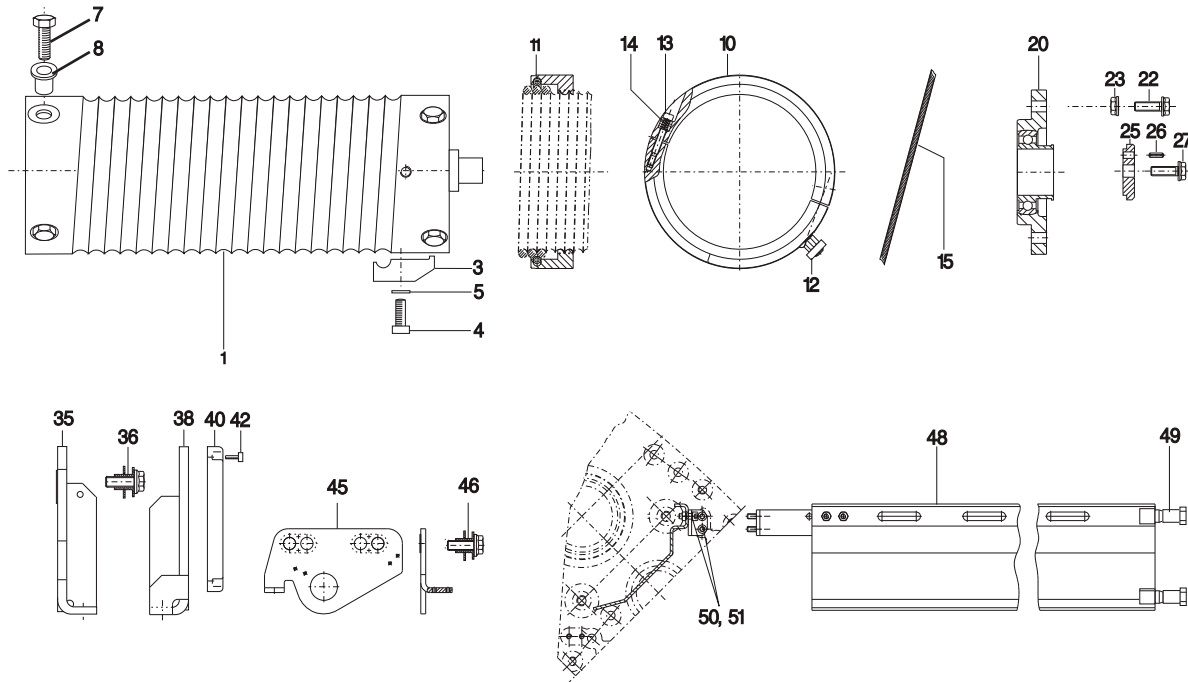
| Pos | Teil-Nummer<br>Part-Number | Stück<br>Piece | Beschreibung<br>Description | Benennung         | Designation           |
|-----|----------------------------|----------------|-----------------------------|-------------------|-----------------------|
|     | 25 270 24 30 0             | 1              | Motor A4ex<br>SH 50...-5    | Getriebe          | Gear                  |
|     | 25 270 25 30 0             | 1              | SH 50...-7                  |                   |                       |
|     | 25 270 26 30 0             | 1              | SH 50...-8                  |                   |                       |
|     | 25 270 27 30 0             | 1              | SH 50...-10                 |                   |                       |
|     | 25 270 28 30 0             | 1              | SH 50...-12                 |                   |                       |
|     | 25 270 29 30 0             | 1              | SH 40...-16                 |                   |                       |
|     | 25 270 26 30 0             | 1              | Motor A6ex<br>SH 50...-12   |                   |                       |
|     | 25 270 27 30 0             | 1              | SH 50...-16                 |                   |                       |
|     | 25 270 28 30 0             | 1              | SH 50...-19                 |                   |                       |
|     | 25 270 29 30 0             | 1              | SH 50...-24                 |                   |                       |
|     | 25 270 30 30 0             | 1              | SH 50...-30                 |                   |                       |
|     | 25 270 31 30 0             | 1              | SH 50...-40                 |                   |                       |
|     | 25 270 32 30 0             | 1              | SH 50...-50                 |                   |                       |
| 1   | 25 273 00 96 0             | 1              |                             |                   |                       |
| 2   | 25 273 00 95 0             | 1              |                             | Dichtung          | Seal                  |
| 3   | 500 810 0                  | 10             | M6x16                       | Zyl.-Schraube     | Socket head cap screw |
| 4   | 506 838 0                  | 10             | S6 vz                       | Sicherungsscheibe | Lock washer           |
| 5   | 518 035 0                  | 1              | 72x9                        | Verschlusskappe   | End cap               |
| 6   | 518 049 0                  | 1              | 80x10                       | Verschlusskappe   | End cap               |
| 8   | 561 030 0                  | 1              | 75x100x10                   | Wellendichtring   | Shaft seal            |
| 10  | 506 152 0                  | 1              | 75x2,5                      | Sicherungsring    | Locking ring          |
| 11  | 506 830 0                  | 1              | 75x95x3,5                   | Stützscheibe      | Supporting ring       |

1) Getriebe bis auf gekennzeichnete Teile nur komplett lieferbar.  
Ohne Getriebeöl: Erforderliche Menge siehe Betriebsanleitung

1) Gear only available as complete unit except the signed parts  
Without gear oil: amount required see operating instruction.



**Seiltrommel/rope drum**



F0246b

| Pos | Teil-Nummer<br>Part-Number | Stück<br>Piece | Beschreibung<br>Description | Benennung          | Designation           |
|-----|----------------------------|----------------|-----------------------------|--------------------|-----------------------|
| 1   | 05 434 16 04 0             | 1              | D11,9-12,5 L2 1) /1         | Seiltrommel        | Rope drum             |
|     | 05 434 17 04 0             | 1              | D11,9-12,5 L3 1) /1         |                    |                       |
|     | 05 434 18 04 0             | 1              | D11,9-12,5 L4 1) /1         |                    |                       |
|     | 05 434 19 04 0             | 1              | D10 L2 1) /1                |                    |                       |
|     | 05 434 20 04 0             | 1              | D10 L3 1) /1                |                    |                       |
|     | 05 434 21 04 0             | 1              | D10 L4 1) /1                |                    |                       |
|     | 05 434 22 04 0             | 1              | D9 L2 1) /1                 |                    |                       |
|     | 05 434 23 04 0             | 1              | D9 L3 1) /1                 |                    |                       |
|     | 05 434 24 04 0             | 1              | D9 L4 1) /1                 |                    |                       |
| 1   | 05 434 25 04 0             | 1              | D8,5-9 L2 1) /2-            | Seiltrommel        | Rope drum             |
|     | 05 434 26 04 0             | 1              | D8,5-9 L3 1) /2-            |                    |                       |
|     | 05 434 27 04 0             | 1              | D8,5-9 L4 1) /2-            |                    |                       |
| 3   | 05 430 00 46 0             | 3              | D11,9-12,5-9 (Pos.4+5)      | Klemmplatte        | Clamping plate        |
| 4   | 500 850 0                  | 3              | M12x25 DIN 6912-8.8         | Zyl-Schraube       | Socket head cap screw |
| 5   | 506 841 0                  | 3              | S 12                        | Sicherungsscheibe  | Locking disc          |
| 3   | 43 430 01 46 0             | 3              | D9-10 (Pos.4+5)             | Klemmplatte        | Clamping plate        |
| 4   | 500 850 0                  | 3              | M12x25 DIN 6912-8.8         | Zyl-Schraube       | Socket head cap screw |
| 5   | 506 841 0                  | 3              | S 12                        | Sicherungsscheibe  | Locking disc          |
| 3   | 04 430 00 46 0             | 6              | D8,5-9 (Pos.4+5)            | Klemmplatte        | Clamping plate        |
| 4   | 500 290 0                  | 6              | M10x20 DIN 6912-8.8         | Zyl-Schraube       | Socket head cap screw |
| 5   | 506 840 0                  | 6              | S 10                        | Sicherungsscheibe  | Locking disc          |
| 7   | 501 130 0                  | 6              | M12x50                      | Sicherungsschraube | Locking screw         |
| 8   | 05 434 00 50 0             | 6              |                             | Bundbuchse         | Bushing               |

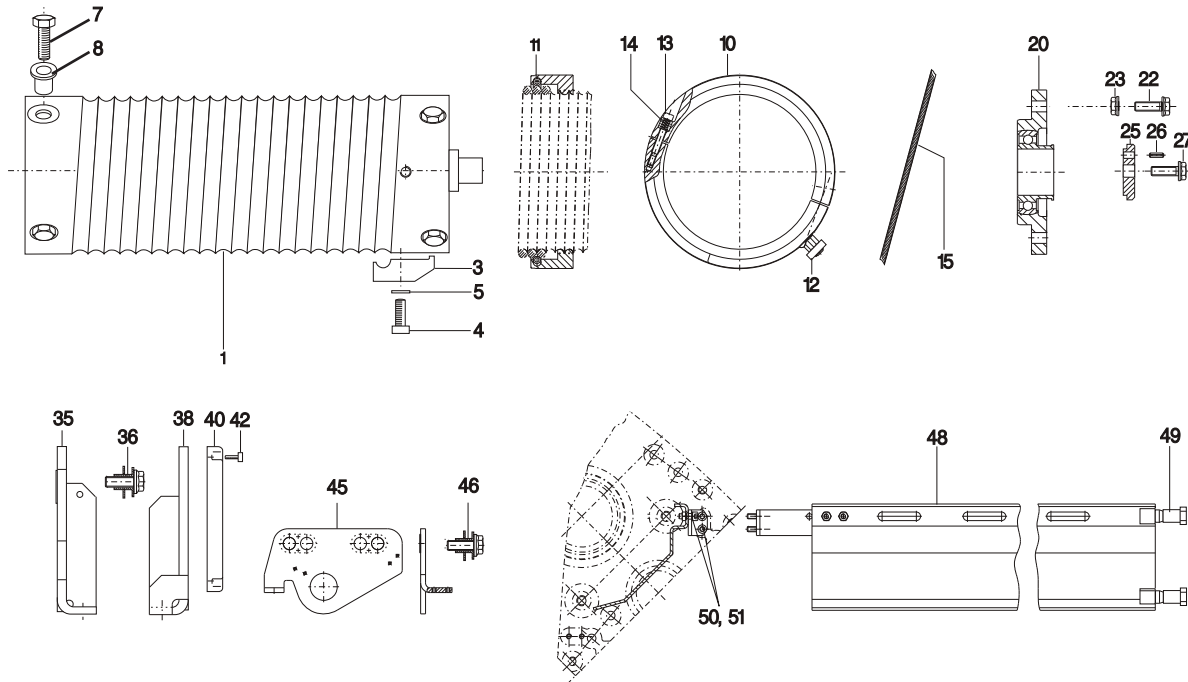
- 1) Pos.20 immer mitbestellen.
- 2) Seilführung Linksgewinde
- 3) Seilführung Rechtsgewinde

- 1) Always included item 20 in order
- 2) Rope guide left thread
- 3) Rope guide right thread



Originalteile  
Original parts  
SH 5 ex

Seiltrommel/rope drum



F0246b

| Pos | Teil-Nummer<br>Part-Number | Stück<br>Piece | Beschreibung<br>Description | Benennung<br>Designation                           |
|-----|----------------------------|----------------|-----------------------------|--|
| 10  | 05 430 01 43 0             | 1              | D12-12,5 ./. 2) (Pos.11-13) | Seilführungsring<br>Rope guide                     |
|     | 05 430 04 43 0             | 1              | D10 ./. 2) (Pos.11-13)      |  |
|     | 05 430 00 43 0             | 1              | D8,5-9 ./. 2) (Pos.11-13)   |  |
|     | 05 430 02 43 0             | 1              | D8,5-9 ./. 3) (Pos.11-13)   |  |
| 11  | 43 334 00 94 0             | 1              |                             | Zugfeder<br>Tension spring                         |
| 12  | 05 430 00 47 0             | 1              |                             | Führungsteil<br>Guide part                         |
| 13  | 21 334 00 90 0             | 2              |                             | Schraube<br>Screw                                  |
| 14  | 22 334 01 94 0             | 2              |                             | Druckfeder<br>Pressure spring                      |
| 15  |                            |                | 4)                          | Drahtseil<br>Wire rope                             |
| 20  | 560 038 0                  | 1              | INA PME 40                  | Flanschlager<br>Flange bearing                     |
| 22  | 501 118 0                  | 4              | M10x35                      | Sicherungsschraube<br>Locking screw                |
| 23  | 507 115 0                  | 4              | M10                         | Sicherungsmutter<br>Locking nut                    |
| 25  | 05 432 01 52 0             | 1              |                             | Haltescheibe<br>Holding disc                       |
| 26  | 504 990 0                  | 1              | 5x10                        | Spannstift<br>Clamping sleeve                      |
| 27  | 501 104 0                  | 1              | M10x20-10                   | Sicherungsschraube<br>Locking screw                |
| 35  | 05 432 00 01 0             | 1              |                             | Tragblech Getriebeseite<br>Support plate gear side |
|     | 05 432 02 01 0             | 1              |                             |  |
|     | 05 432 09 01 0             | 1              | 1/1                         |  |
| 36  | 05 430 01 26 0             | 2              |                             | Bundbuchse<br>Bushing                              |
| 38  | 05 432 01 01 0             | 1              |                             | Tragblech Lagerseite<br>Support plate bearing side |
|     | 05 432 03 01 0             | 1              |                             |  |
| 40  | 05 432 00 40 0             | 1              |                             | Abschlußhaube<br>End cover                         |
| 42  | 505 034 0                  | 4              | 6x20                        | Schraube<br>Screw                                  |
| 45  | 05 432 12 12 0             | 1              |                             | Lagerblech<br>Bearing plate                        |
| 46  | 05 430 01 26 0             | 2              |                             | Bundbuchse<br>Bushing                              |
| 48  | 05 430 00 22 0             | 1              | L2                          | Fettwanne<br>Grease box                            |
|     | 05 430 01 22 0             | 1              | L3                          |  |
|     | 05 430 02 22 0             | 1              | L4                          |  |
| 49  | 501 025 0                  | 2              | M8x20                       | Skt-Schraube<br>Hexagon head cap srew              |
| 50  | 500 233 0                  | 8              | M6x16                       | Zyl-Schraube<br>Socket head cap screw              |
| 51  | 506 838 0                  | 8              | S6                          | Sicherungsscheibe<br>Lock washer                   |

4) Siehe Datenblatt

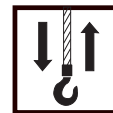
5) Seilzug stehend stationär

6) Seilzug hängend stationär

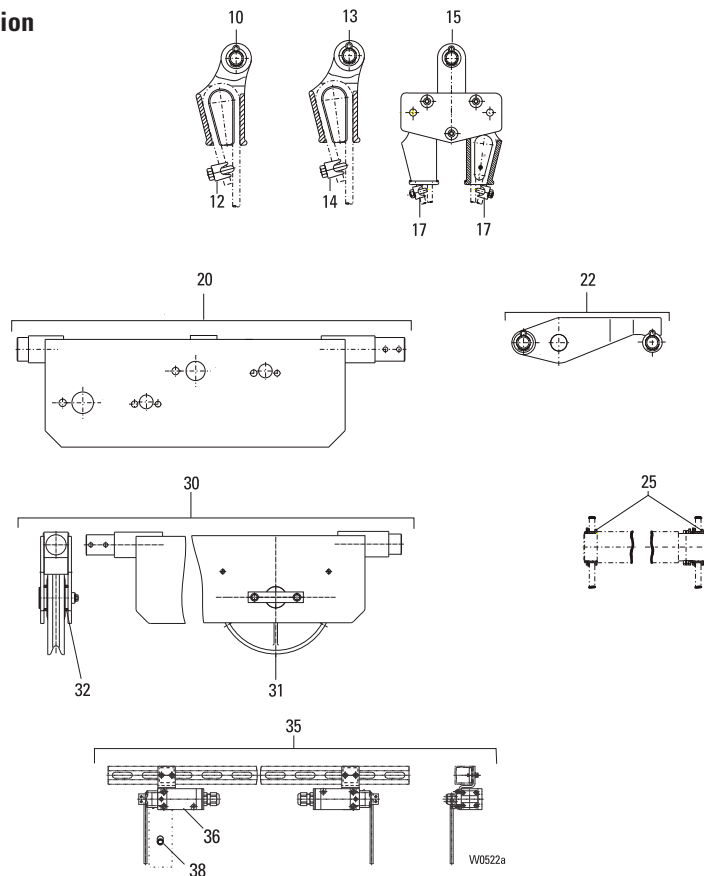
4) See data sheet

5) Stationary wire rope hoist, upright

6) Stationary wire rope hoist, suspended



**Seilauflhängung/rope suspension**



| Pos | Teil-Nummer<br>Part-Number | Stück<br>Piece | Beschreibung<br>Description   | Benennung<br>Designation |
|-----|----------------------------|----------------|-------------------------------|--------------------------|
| 10  | 05 430 00 48 0             | 1              | D-11,9-12,5mm SH50.. (Pos.12) | Keilendklemme            |
| 12  | 517 007 0                  | 1              | Gr.13                         | Drahtseilklemme          |
| 10  | 05 430 02 48 0             | 1              | D-11,9-12,5mm SH5032 (Pos.12) |                          |
| 12  | 517 007 0                  | 1              | Gr.13                         |                          |
| 13  | 05 430 01 48 0             | 1              | D-9-10mm (Pos.14)             | Keilendklemme            |
| 14  | 517 006 0                  | 1              | Gr.10                         | Drahtseilklemme          |
| 15  | 05 430 00 23 0             | 1              | (Pos.17)                      | Wippe                    |
| 17  | 517 006 0                  | 2              | Gr.10                         | Drahtseilklemme          |
| 20  | 05 430 08 28 0             | 1              | L2 1)                         | Aufhängertraverse        |
|     | 05 430 09 28 0             | 1              | L3 1)                         |                          |
|     | 05 430 10 28 0             | 1              | L4 1)                         |                          |
| 22  | 05 430 03 28 0             | 1              |                               | Aufhängung               |
| 25  | 05 430 00 26 0             | 1              |                               | Bundbuchse               |
| 30  | 05 430 06 27 0             | 1              | D 11-12,5 L2 1) (Pos.31+32)   | Umlenkung                |
|     | 05 430 11 27 0             | 1              | D 9-10 L2 1) (Pos.31+32)      |                          |
|     | 05 430 07 27 0             | 1              | D 11-12,5 L3 1) (Pos.31+32)   |                          |
|     | 05 430 12 27 0             | 1              | D 9-10 L3 1) (Pos.31+32)      |                          |
|     | 05 430 08 27 0             | 1              | D 11-12,5 L4 1) (Pos.31+32)   |                          |
|     | 05 430 13 27 0             | 1              | D 9-10 L4 1) (Pos.31+32)      |                          |
| 31  | 01 430 03 53 0             | 1              | D 11-12,5 D225 mm             | Seilrolle                |
|     | 01 430 05 53 0             | 1              | D 9-10 D225 mm                |                          |
| 32  | 05 432 03 51 0             | 2              | 60/50,1/6                     | Buchse                   |
| 35  | 04 430 20 85 0             | 1              | (Pos.36)                      | Endschalteranbau         |
| 36  | 04 430 23 85 0             | 2              |                               | Ex-Positionsschalter     |
| 38  | 503 020 0                  | 1              | M8x1x80-14Hvz DIN427          | Schaftschraube           |

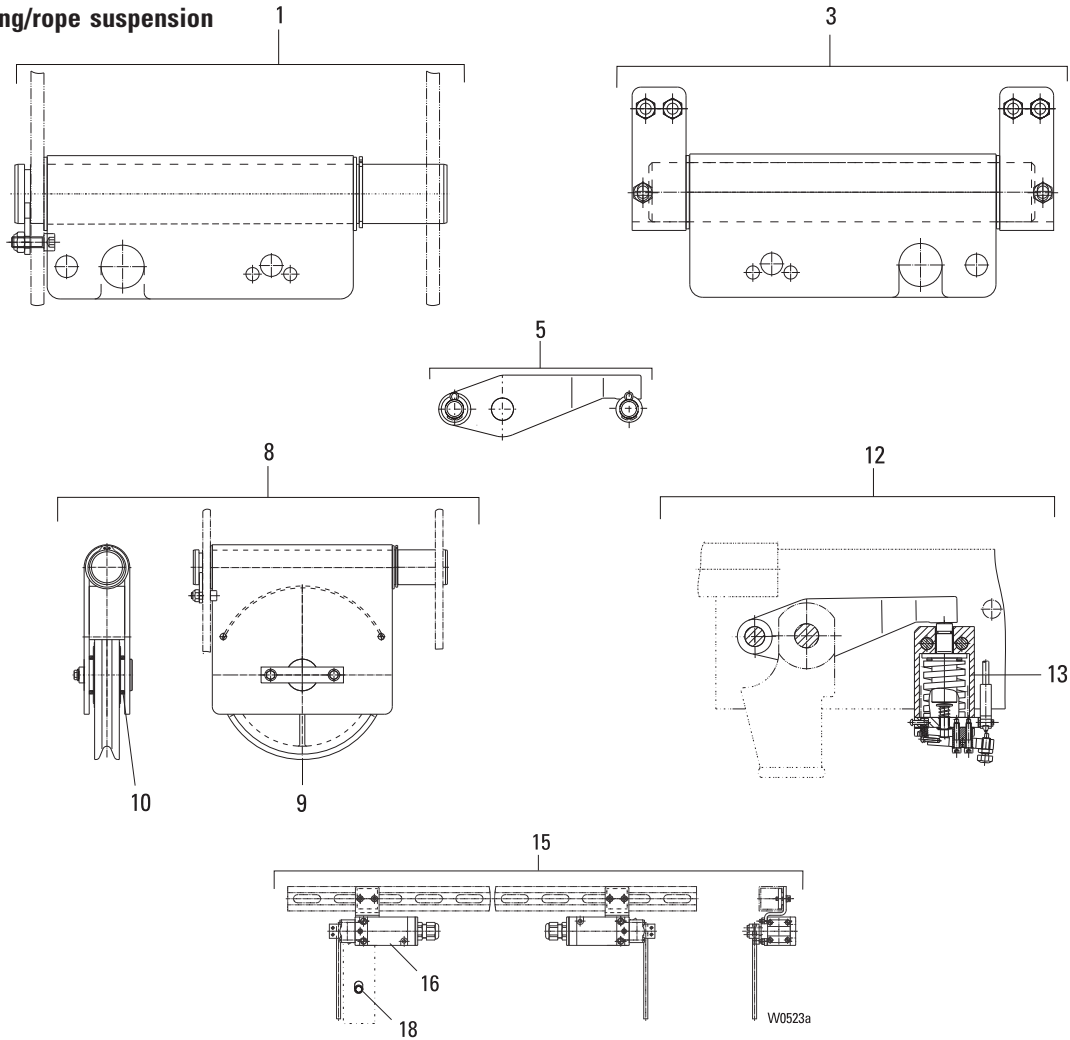
1) stationär

1) stationary



**Originalteile**  
**Original parts**  
**SH 5 ex**

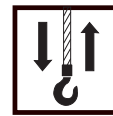
**Seilauflangung/rope suspension**



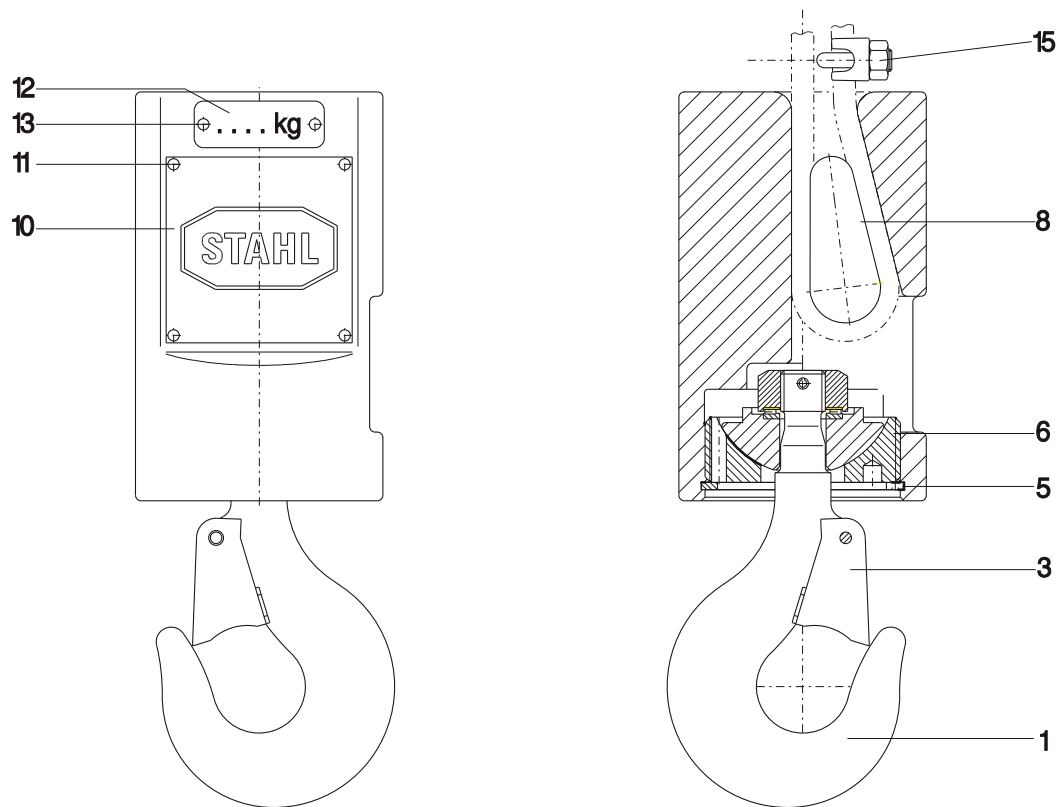
| Pos | Teil-Nummer<br>Part-Number | Stück<br>Piece | Beschreibung<br>Description |          | Benennung            | Designation             |
|-----|----------------------------|----------------|-----------------------------|----------|----------------------|-------------------------|
| 1   | 05 430 07 28 0             | 1              | 2/1                         | 1)       | Aufhängung           | Suspension              |
| 3   | 05 430 06 28 0             | 1              | 4/1                         | 1)       | Aufhängung           | Suspension              |
| 5   | 05 430 03 28 0             | 1              |                             |          | Aufhängung           | Suspension              |
| 8   | 05 430 05 27 0             | 1              | D 11-12,5                   | 1)       | Umlenkung            | Deflection cross bar    |
|     | 05 430 10 27 0             | 1              | D 9-10                      | 1)       |                      |                         |
| 9   | 01 430 03 53 0             | 1              | D 11-12,5                   |          | Seilrolle            | Rope pulley             |
|     | 01 430 05 53 0             | 1              | D 9-10                      |          |                      |                         |
| 10  | 05 432 03 51 0             | 1              | 60/50,1/6                   |          | Buchse               | Bushing                 |
| 12  | 05 430 00 94 0             | 1              | 1600 kg                     | (Pos.13) | Lastsensor           | Load sensor             |
|     | 05 430 01 94 0             | 1              | 2000 kg                     | (Pos.13) |                      |                         |
|     | 05 430 02 94 0             | 1              | 2500 kg                     | (Pos.13) |                      |                         |
|     | 05 430 03 94 0             | 1              | 3200 kg                     | (Pos.13) |                      |                         |
| 13  | 05 430 00 84 0             | 1              | daN                         |          | Meßeinheit           | Measuring unit          |
|     | 05 430 01 84 0             | 1              | daN                         |          |                      |                         |
|     | 05 430 02 84 0             | 1              | daN                         |          |                      |                         |
|     | 05 430 03 84 0             | 1              | daN                         |          |                      |                         |
| 15  | 04 430 20 85 0             | 1              |                             | (Pos.16) | Endschalteranbau     | Limit switch attachment |
| 16  | 04 430 23 85 0             | 2              |                             |          | Ex-Positionsschalter | Limit switch            |
| 18  | 503 020 0                  | 1              | M8x1x80-14Hvz               | DIN427   | Schaftschraube       | Screw                   |

1) KE-S65, OE-S05, OE-S06

1) KE-S65, OE-S05, OE-S06



H130-1



F0867

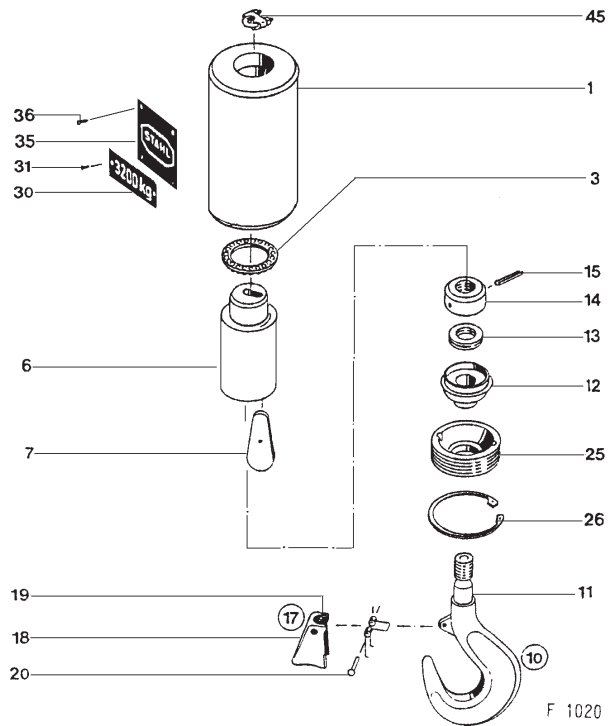
**Bitte immer die Fabrik-Nr. des Hebezeuges angeben.**

**Please always state hoist serial number.**



Originalteile  
Original parts  
SH 5 ex

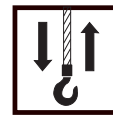
H190-1



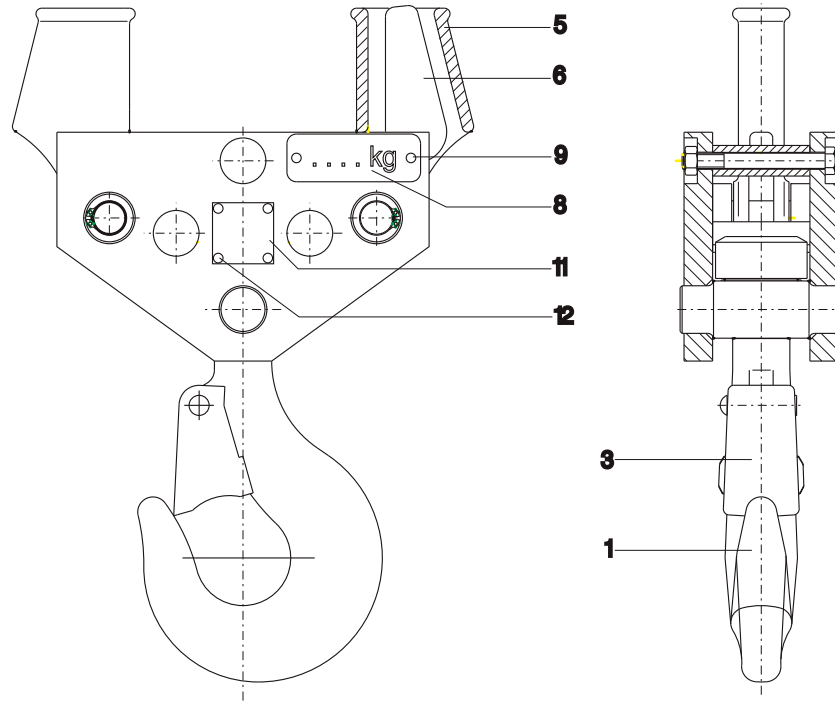
Bitte immer die Fabrik-Nr. des Hebezeuges angeben.

Please always state hoist serial number.





T141-2



F0246

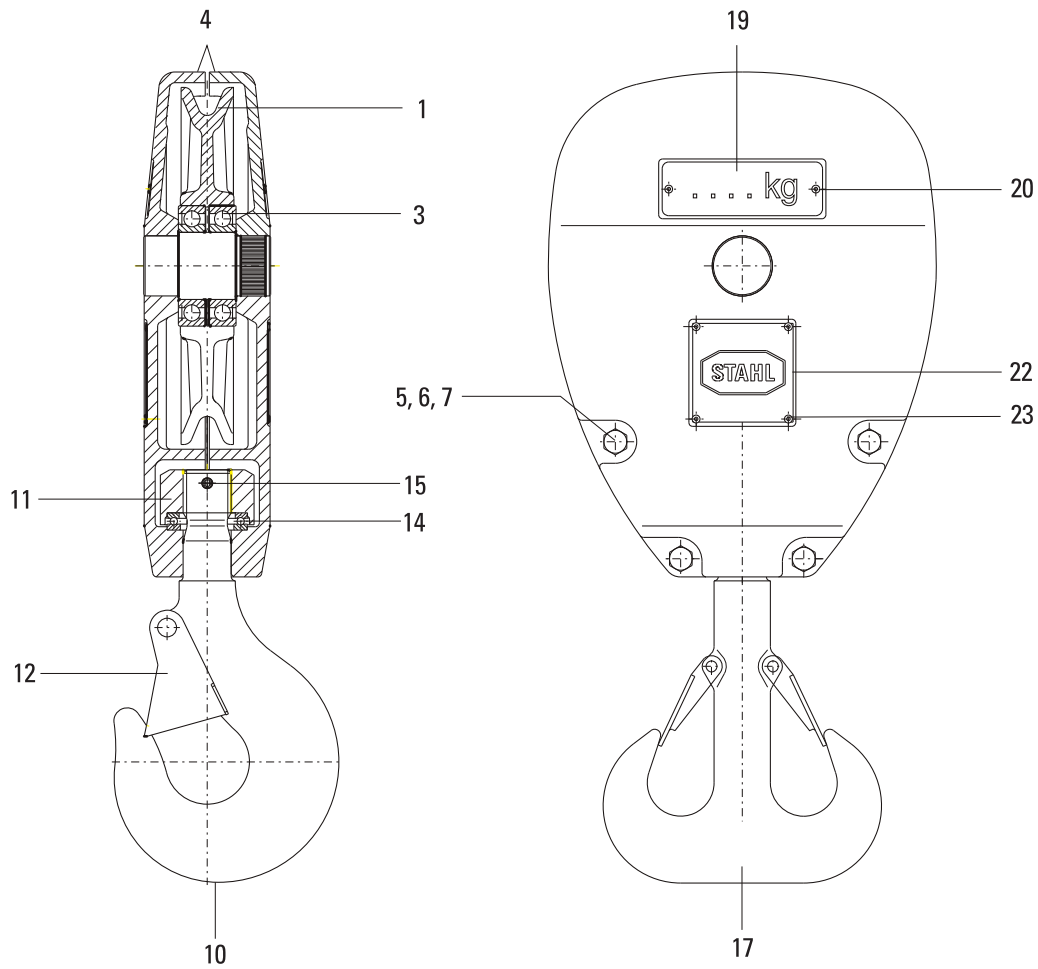
**Bitte immer die Fabrik-Nr. des Hebezeuges angeben.**

**Please always state hoist serial number.**



Originalteile  
Original parts  
SH 5 ex

H225-2



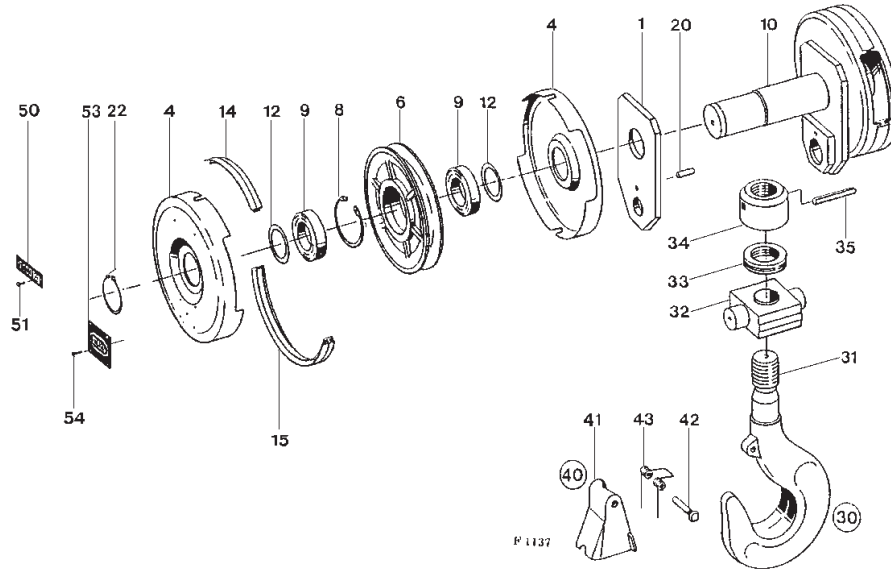
W0583

Bitte immer die Fabrik-Nr. des Hebezeuges angeben.

Please always state hoist serial number.



H203-4



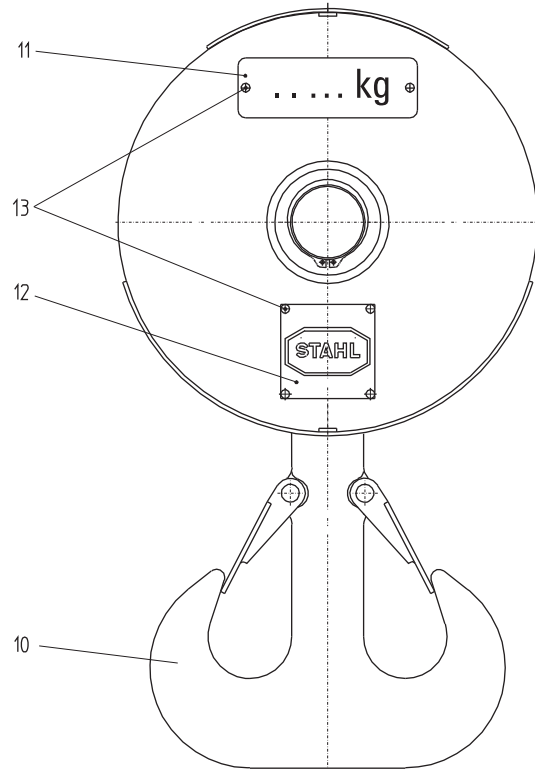
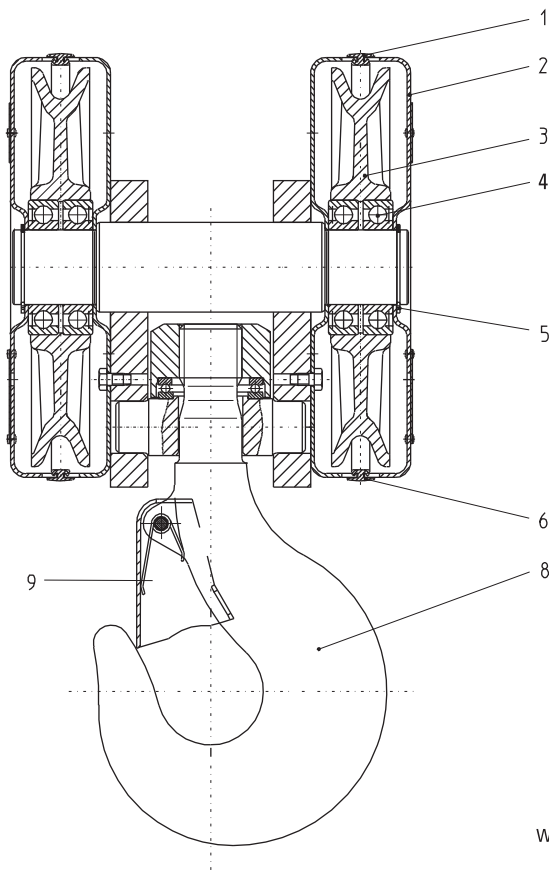
Bitte immer die Fabrik-Nr. des Hebezeuges angeben.

Please always state hoist serial number.



**Originalteile**  
**Original parts**  
**SH 5 ex**

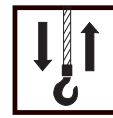
H226-4



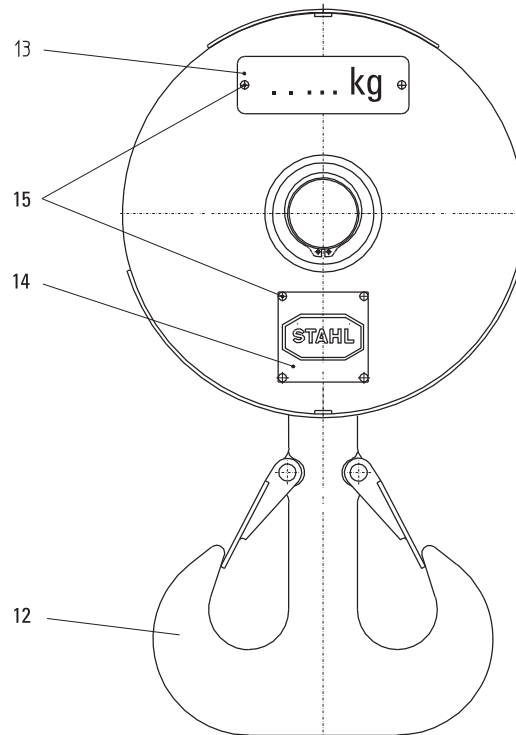
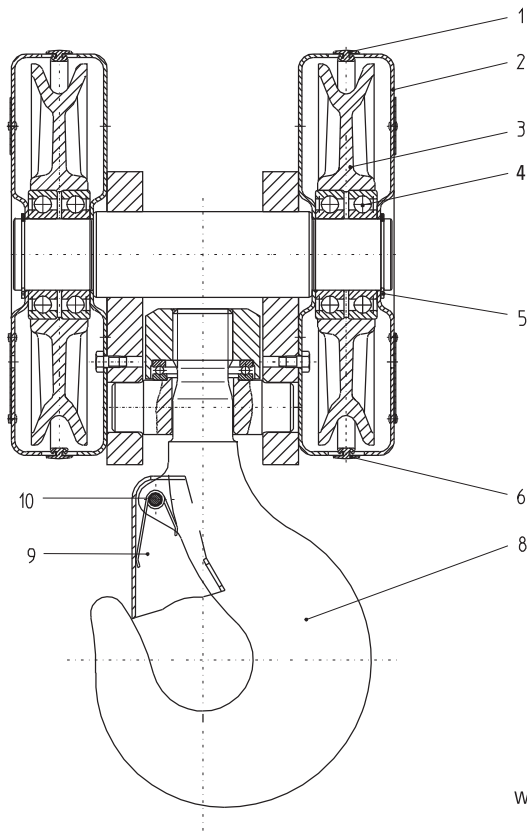
W0501

**Bitte immer die Fabrik-Nr. des Hebezeuges angeben.**

**Please always state hoist serial number.**



H227-4



W0502

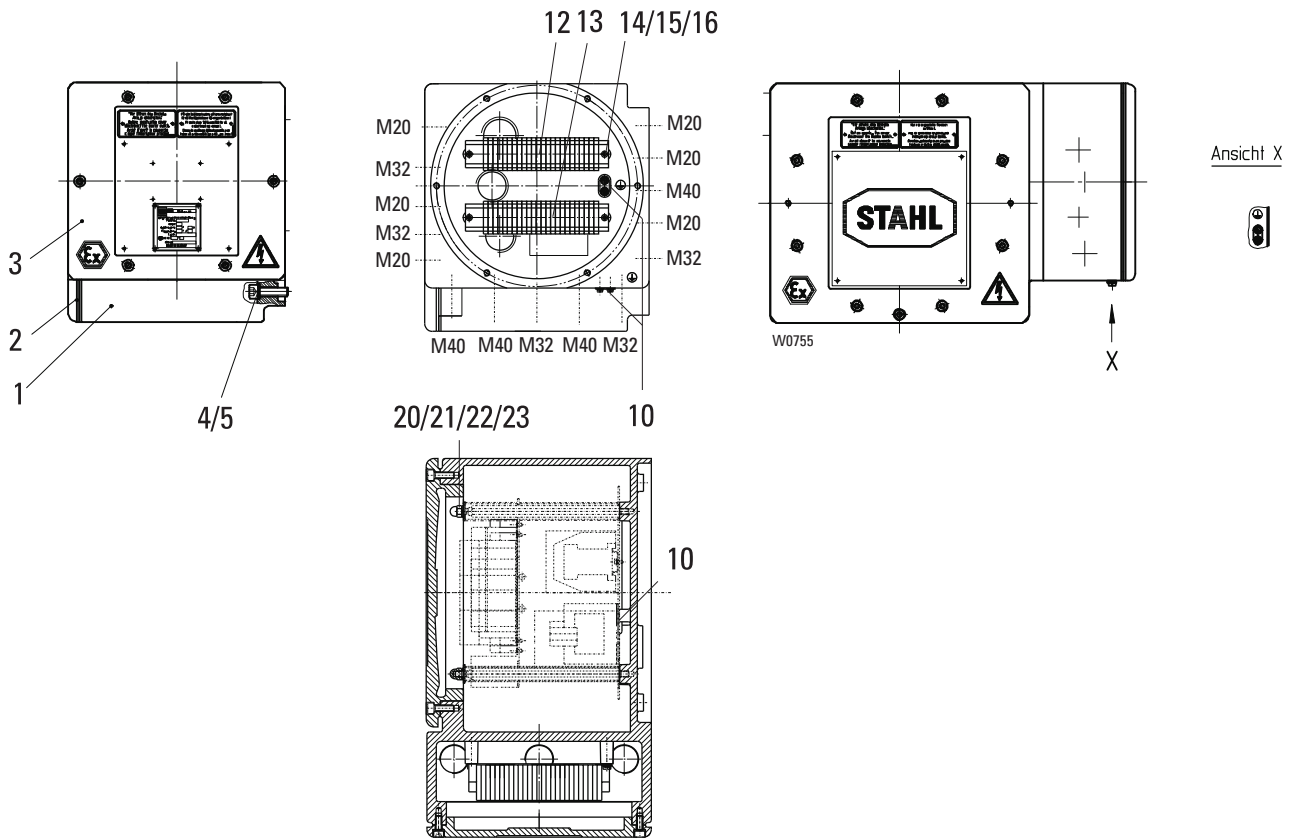
**Bitte immer die Fabrik-Nr. des Hebezeuges angeben.**

**Please always state hoist serial number.**

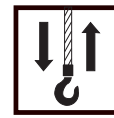


Originalteile  
Original parts  
SH 5 ex

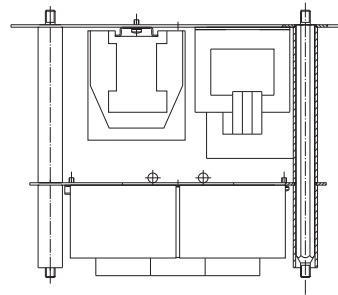
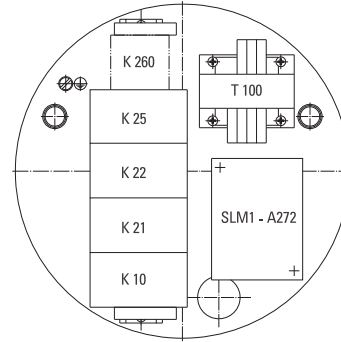
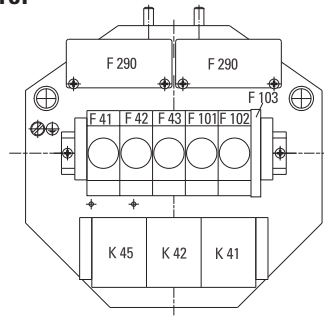
K-A 3. ex



| Pos | Teil-Nummer<br>Part-Number | Stück<br>Piece | Beschreibung<br>Description | Benennung<br>Designation | Designation       |                       |
|-----|----------------------------|----------------|-----------------------------|--------------------------|-------------------|-----------------------|
| 1   | 04 439 01 20 0             | 1              | IIB                         | GK-A 3.-                 | Gerätekasten      | Terminal box          |
| 1   | 04 439 02 20 0             | 1              | IIC                         |                          |                   |                       |
| 2   | 04 430 71 97 0             | 1              | d280                        |                          | Kastendeckel      | Box cover             |
| 3   | 04 430 80 97 0             | 1              | e240                        |                          | Kastendeckel      | Box cover             |
| 4   | 500 184 0                  | 3              | M12x40                      | ISO 4762                 | Zyl.-Schraube     | Socket head cap screw |
| 5   | 506 841 0                  | 3              | S12                         |                          | Sicherungsscheibe | Lock washer           |
| 10  | 46 330 70 81 0             | 3              |                             |                          | Erdungsklemme     | Earth clamp           |
| 12  | 03 430 41 89 0             | 1              |                             |                          | Klemmleiste       | Terminal strip        |
| 13  | 03 430 39 89 0             | 1              |                             |                          | Klemmleiste       | Terminal strip        |
| 14  | 502 051 0                  | 4              | M4x8                        | ISO 1207                 | Zyl.-Schraube     | Socket head cap screw |
| 15  | 506 374 0                  | 4              | 4                           | DIN 7980                 | Federring         | Spring washer         |
| 16  | 506 062 0                  | 4              | 4,3                         | DIN 432                  | Scheibe           | Disc                  |
| 20  | 506 859 0                  | 2              | 8,4                         | DIN 9021                 | Scheibe           | Disc                  |
| 21  | 506 839 0                  | 2              | S8                          |                          | Sicherungsscheibe | Lock washer           |
| 22  | 506 924 0                  | 2              | M8                          | DIN 986                  | Hutmutter         | Cap nut               |
| 23  | 44 329 20 92 0             | 2              |                             |                          | Führungsbolzen    | Guiding bolt          |



**Standard -Steuerung / standard control**  
**400V / 50Hz**



**Geräteliste / parts list**

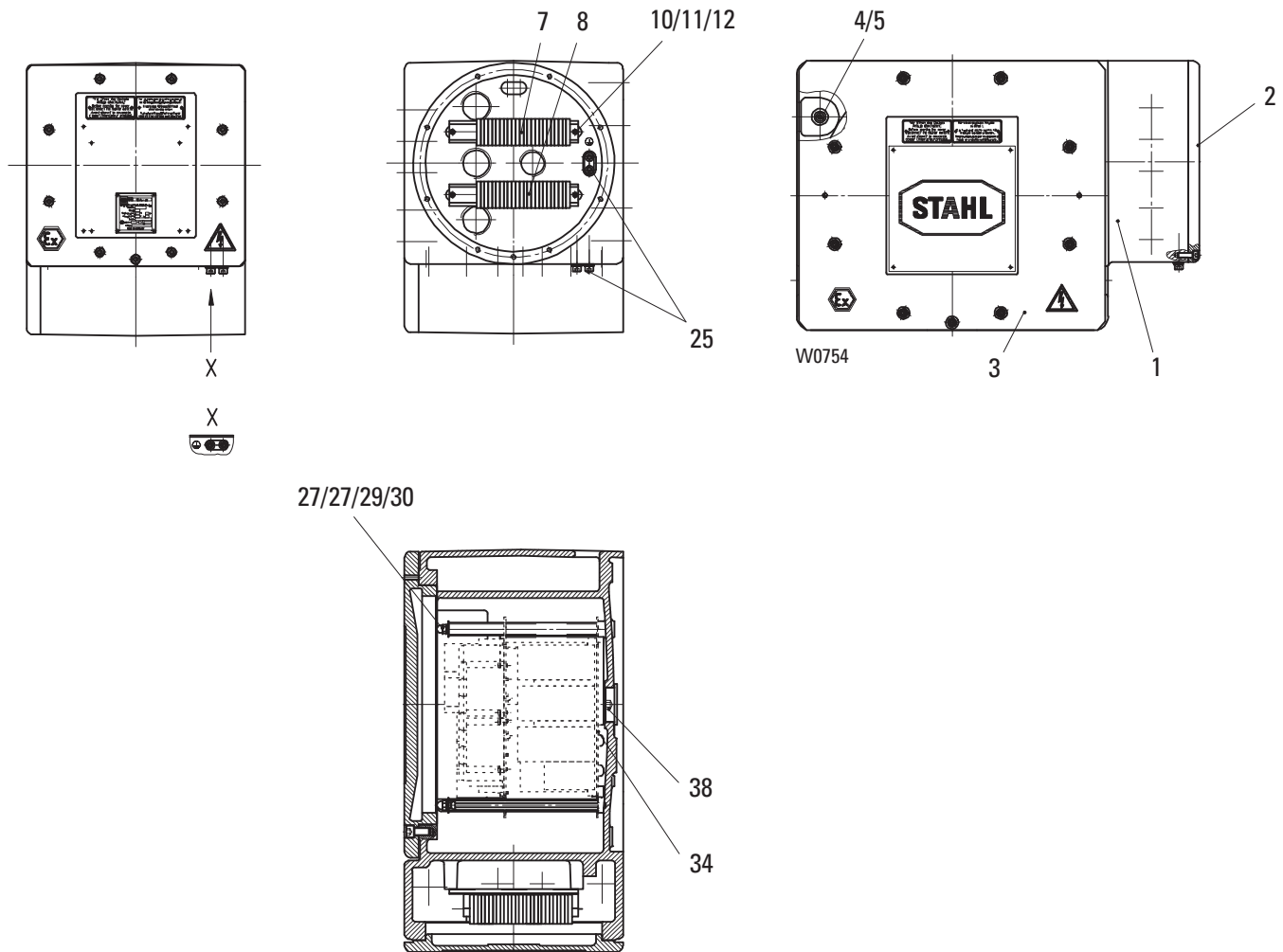
**Motor 12/2 A4 ex**

**Siehe auftragsbezogene Geräteliste in der Seilzug- Dokumentation**  
**See parts list in individual wire rope hoist documentation.**



Originalteile  
Original parts  
SH 5 ex

K-A 4. ex

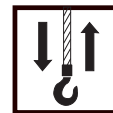


| Pos | Teil-Nummer<br>Part-Number | Stück<br>Piece | Beschreibung<br>Description |          | Benennung         | Designation           |
|-----|----------------------------|----------------|-----------------------------|----------|-------------------|-----------------------|
| 1   | 05 439 02 20 0             | 1              | IIC                         | GK-A 4.- | Gerätekasten      | Terminal box          |
| 2   | 04 430 70 97 0             | 1              | e280                        |          | Kastendeckel      | Box cover             |
| 3   | 05 430 70 97 0             | 1              | d380                        | IIB      | Kastendeckel      | Box cover             |
|     | 05 430 71 97 0             | 1              | d380                        | IIC      |                   |                       |
| 4   | 500 152 0                  | 3              | M16x35                      | ISO 4762 | Zyl.-Schraube     | Socket head cap screw |
| 5   | 507 001 0                  | 3              | S16                         |          | Sicherungsscheibe | Lock washer           |
| 7   | 06 430 42 89 0             | 1              |                             | 1)       | Klemmleiste       | Terminal strip        |
|     | 06 430 43 89 0             | 1              |                             | 2)       |                   |                       |
| 8   | 06 430 39 89 0             | 1              |                             | 1)       | Klemmleiste       | Terminal strip        |
|     | 06 430 41 89 0             | 1              |                             | 2)       |                   |                       |
| 10  | 502 051 0                  | 4              | M4x8                        | ISO 1207 | Zyl-Schraube      | Socket head cap screw |
| 11  | 506 374 0                  | 4              | 4                           | DIN 7980 | Federring         | Spring washer         |
| 12  | 506 062 0                  | 4              | 4,3                         | DIN 432  | Scheibe           | Disc                  |
| 25  | 46 330 71 81 0             | 2              |                             |          | Erdungsklemme     | Earth clamp           |
| 27  | 46 339 20 92 0             | 2              |                             |          | Führungsbolzen    | Guiding bolt          |
| 28  | 506 859 0                  | 2              | 8,4                         | DIN 9021 | Scheibe           | Disc                  |
| 29  | 506 839 0                  | 2              | S8                          |          | Sicherungsscheibe | Lock washer           |
| 30  | 506 924 0                  | 2              | M8                          | DIN 986  | Hutmutter         | Cap nut               |
| 34  | 46 330 70 81 0             | 1              |                             |          | Erdungsklemme     | Earth clamp           |
| 38  | 518 242 0                  | 1              |                             |          | Verschlussstopfen | Screw plug            |

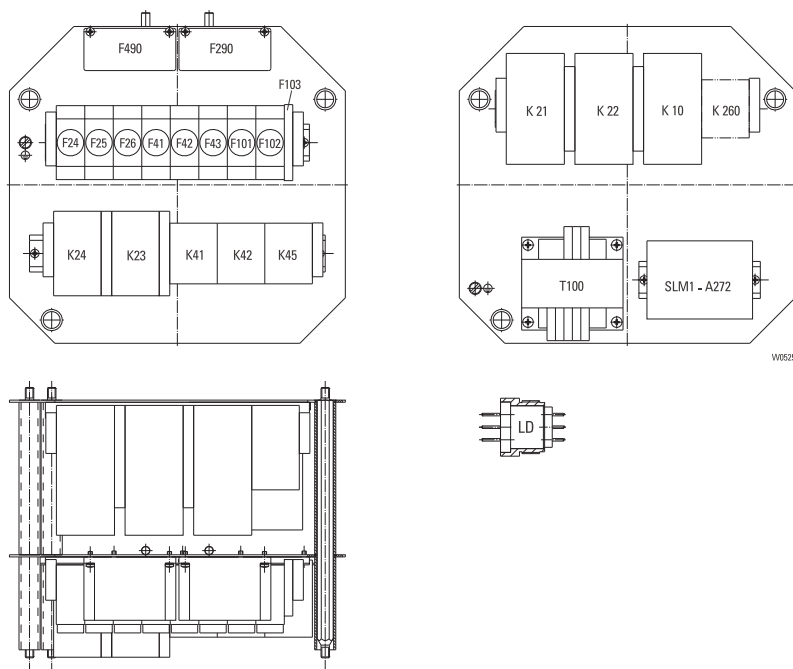
1) Hub.  
2) Hub/Fahren

1) Hoist  
2) Hoist/Travel





**Standard -Steuerung / standard control**  
**400V/50Hz**



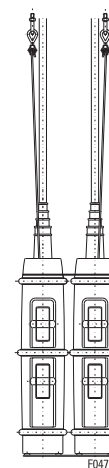
**Geräteliste / parts list**

**Motor 12/2 A6 ex**

**Siehe auftragsbezogene Geräteliste in der Seilzug- Dokumentation**  
**See parts list in individual wire rope hoist documentation.**

**Standardsteuergerät / Standard control switch**

| Typ<br>Type     | Teil-Nummer<br>Part-Number |
|-----------------|----------------------------|
| SWH 5102-061 ex | 15 390 80 20 9             |
| SWH 5106-061 ex | 15 390 79 20 9             |
| SWH 5202-062 ex | 15 390 78 20 9             |
| SWH 5206-062 ex | 15 390 77 20 9             |



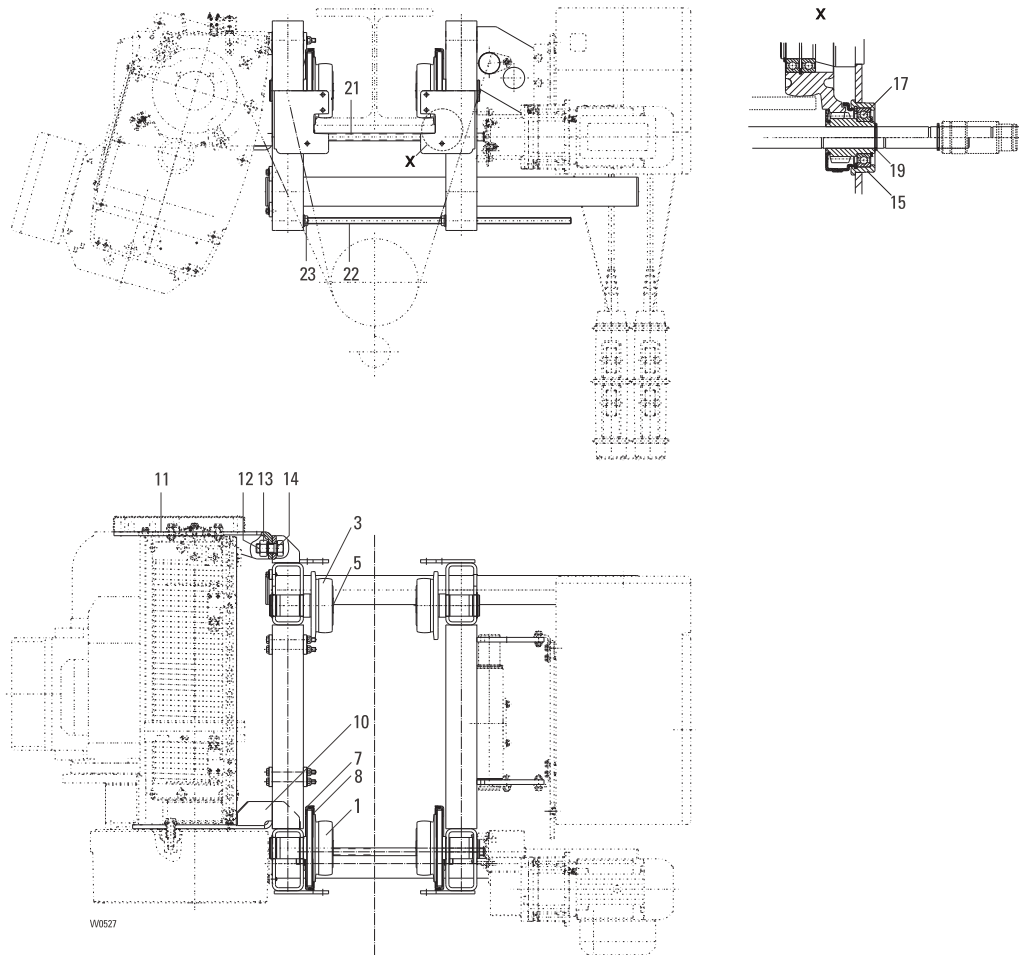
Sondersteuergeräte: Bitte Typ angeben.

Special control switches: Please state type.



Originalteile  
Original parts  
SH 5 ex

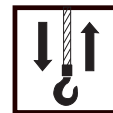
KE-S6



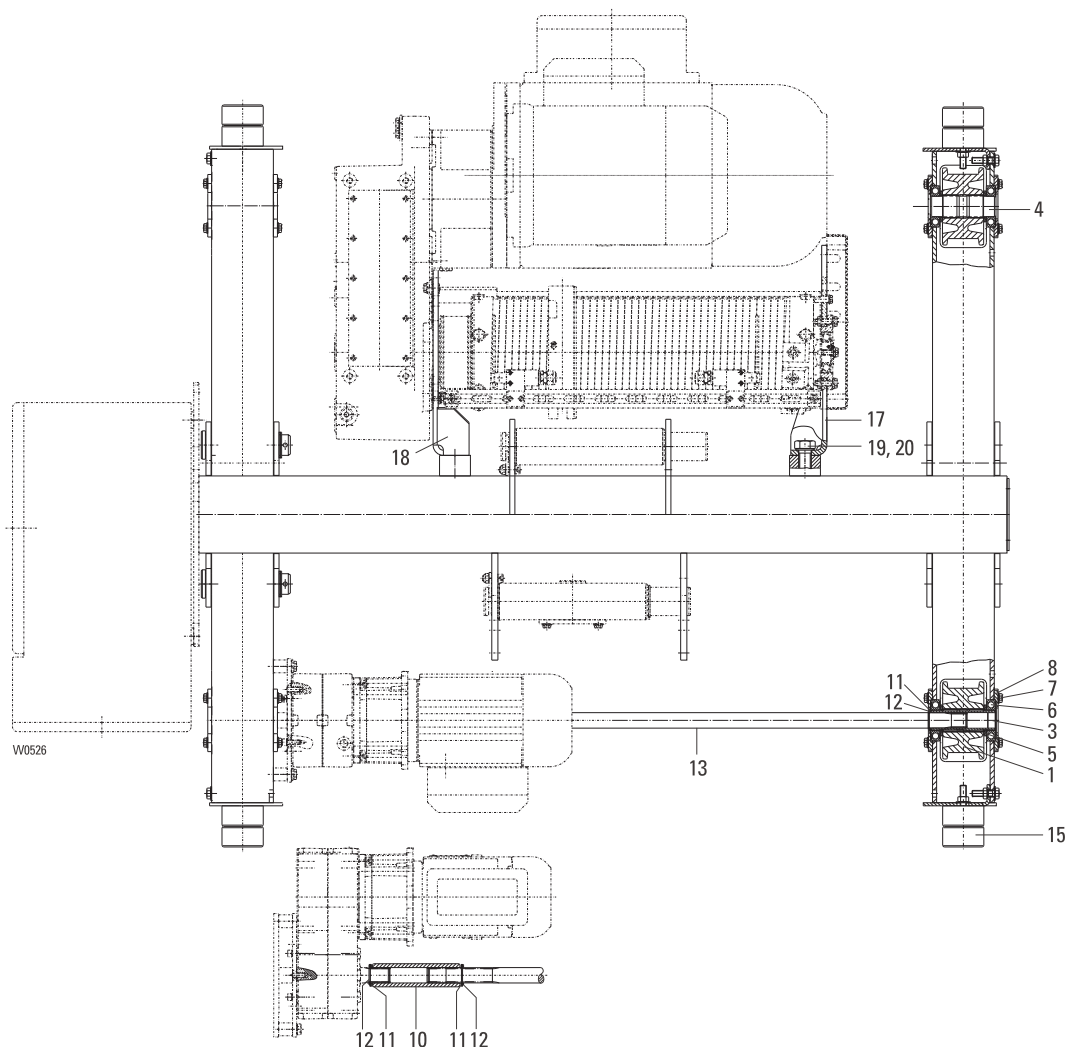
| Pos | Teil-Nummer<br>Part-Number | Stück<br>Piece | Beschreibung<br>Description | Benennung        | Designation                              |
|-----|----------------------------|----------------|-----------------------------|------------------|--|
| 1   | 06 250 05 40 0             | 2              | A140                        | L6/5             | Laufrolle<br>Wheel                       |
| 3   | 06 250 05 41 0             | 2              | B140                        | L6/5             | Laufrolle<br>Wheel                       |
| 5   | 506 247 0                  | 4              | 40x1,75                     | DIN 471          | Sicherungsring<br>Locking ring           |
| 7   | 06 254 05 40 0             | 2              |                             |                  | Laufrollenabdeckung<br>Wheel cover       |
| 8   | 06 254 06 40 0             | 2              |                             |                  | Laufrollenabdeckung<br>Wheel cover       |
| 10  | 05 432 04 01 0             | 1              | SH5016; 20; 25              |                  | Tragblech<br>Support plate               |
|     | 05 430 10 29 0             | 1              | SH5032                      |                  |  |
| 11  | 05 432 05 01 0             | 1              | SH5016; 20; 25              |                  |  |
|     | 05 430 11 29 0             | 1              | SH5032                      |                  |  |
| 12  | 500 952 0                  | 4              | M24x55                      |                  | Skt-Schraube<br>Hexagon head cap screw   |
| 13  | 506 987 0                  | 4              | M24                         |                  | Skt-Mutter<br>Hexagonal nut              |
| 14  | 507 006 0                  | 8              | S24                         |                  | Sicherungsscheibe<br>Locking disc        |
| 15  | 21 270 01 39 0             | 2              |                             |                  | Flanschlager<br>Flange bearing           |
| 17  | 560 936 0                  | 2              | 6006-2Z                     | DIN 625          | Rillenkugellager<br>Grooved ball bearing |
| 19  | 507 098 0                  | 2              | 20x1,75                     | DIN 471          | Sicherungsring<br>Locking ring           |
| 21  | 21 273 09 60 0             | 1              |                             | 1) 119 mm-306 mm | Durchtriebswelle<br>Drive shaft          |
|     | 21 273 14 60 0             | 1              |                             | 1) 307 mm-500 mm |  |
| 22  | 025 002 9                  | 2              | M16x720                     |                  | Gewindebolzen<br>Threaded bolt           |
| 23  | 507 841 0                  | 8              | M16                         | DIN 976-8.8      | Sicherungsmutter<br>Locking nut          |

1) Flanschbreite

1) Flange width



OE-S05



| Pos | Teil-Nummer<br>Part-Number | Stück<br>Piece | Beschreibung<br>Description | Benennung               | Designation                |
|-----|----------------------------|----------------|-----------------------------|-------------------------|----------------------------|
| 1   | 24 254 10 01 0             | 4              | D 125 1) 40 mm              | Laufрад                 | Wheel                      |
|     | 24 254 11 01 0             | 4              | D 125 1) 50 mm              |                         |                            |
| 3   | 24 254 12 14 0             | 2              |                             | Laufradwelle            | Travelling wheel shaft     |
| 4   | 24 254 11 17 0             | 2              |                             | Laufradachse            | Axle                       |
| 5   | 33 245 00 03 0             | 8              |                             | Scheibe                 | Disc                       |
| 6   | 560 048 0                  | 8              | 6208-2Z                     | Rillenkugellager        | Grooved ball bearing       |
| 7   | 501 104 0                  | 24             | M10x20-10                   | Sicherungsschraube      | Locking screw              |
| 8   | 25 712 04 58 0             | 8              |                             | Lagerdeckel             | Bearing cover              |
| 10  | 22 275 00 35 0             | 1              |                             | Kupplungshülse          | Coupling sleeve            |
| 11  | 506 815 0                  | 3              | S30x42x2,5                  | Stützscheibe            | Supporting ring            |
| 12  | 506 121 0                  | 3              | 30x2                        | Sicherungsring          | Locking ring               |
| 13  | 22 275 03 14 0             | 1              | 2) 1250 mm                  | Durchtriebswelle        | Drive shaft                |
|     | 22 275 00 14 0             | 1              | 2) 1400 mm                  |                         |                            |
|     | 22 275 01 14 0             | 1              | 2) 2240 mm                  |                         |                            |
|     | 22 275 02 14 0             | 1              | 2) 2800 mm                  |                         |                            |
| 15  | 25 710 11 23 0             | 1              |                             | Puffer                  | Buffer                     |
| 17  | 05 432 05 01 0             | 1              | SH5016; 20; 25              | Tragblech Lagerseite    | Support plate bearing side |
| 18  | 05 432 04 01 0             | 1              | SH5016; 20; 25              | Tragblech Getriebeseite | Support plate gear side    |
| 19  | 507 006 0                  | 4              | S24                         | Sicherungsscheibe       | Locking disc               |
| 20  | 500 370 0                  | 4              | M24x50                      | Skt-schraube            | Hexagon head cap screw     |

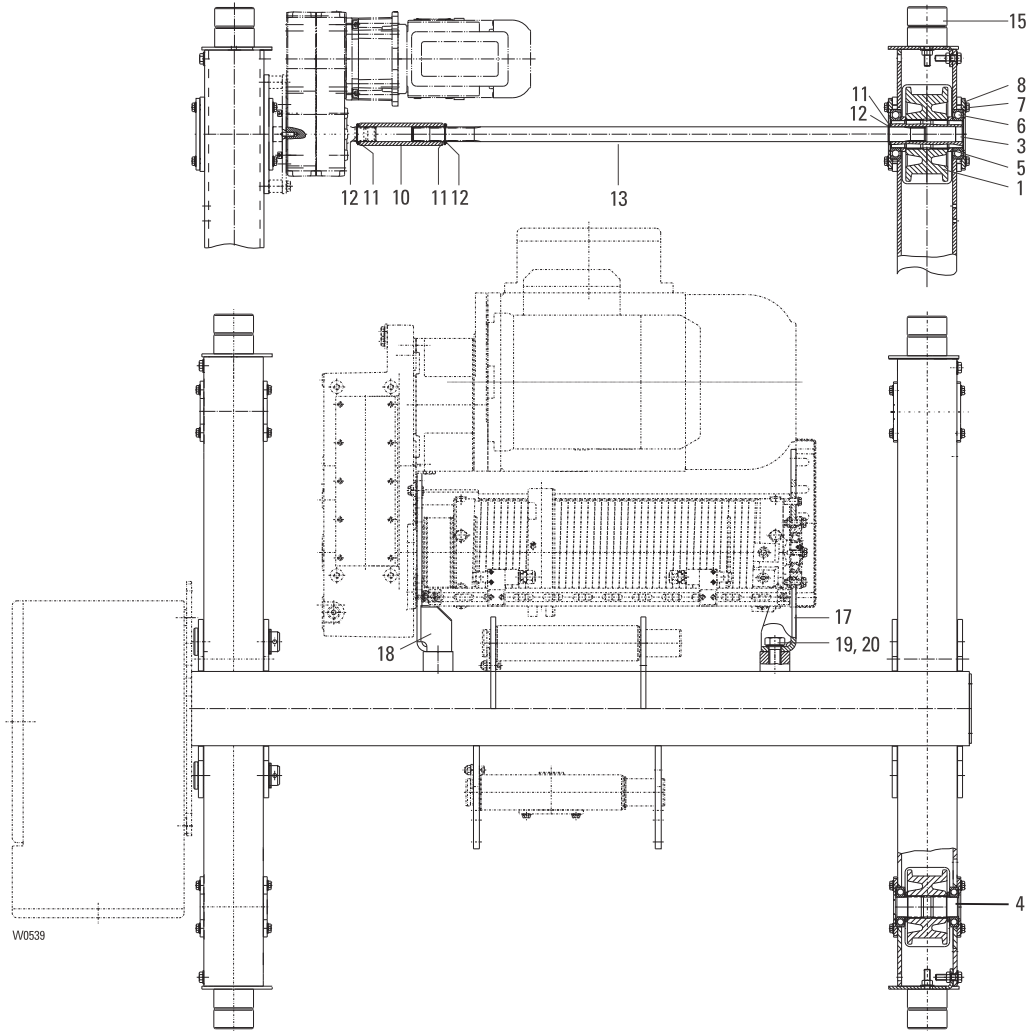
1) Schienenbreite  
2) Spurweite

1) Rail width  
2) Track gauge



**Originalteile**  
**Original parts**  
**SH 5 ex**

OE-S06



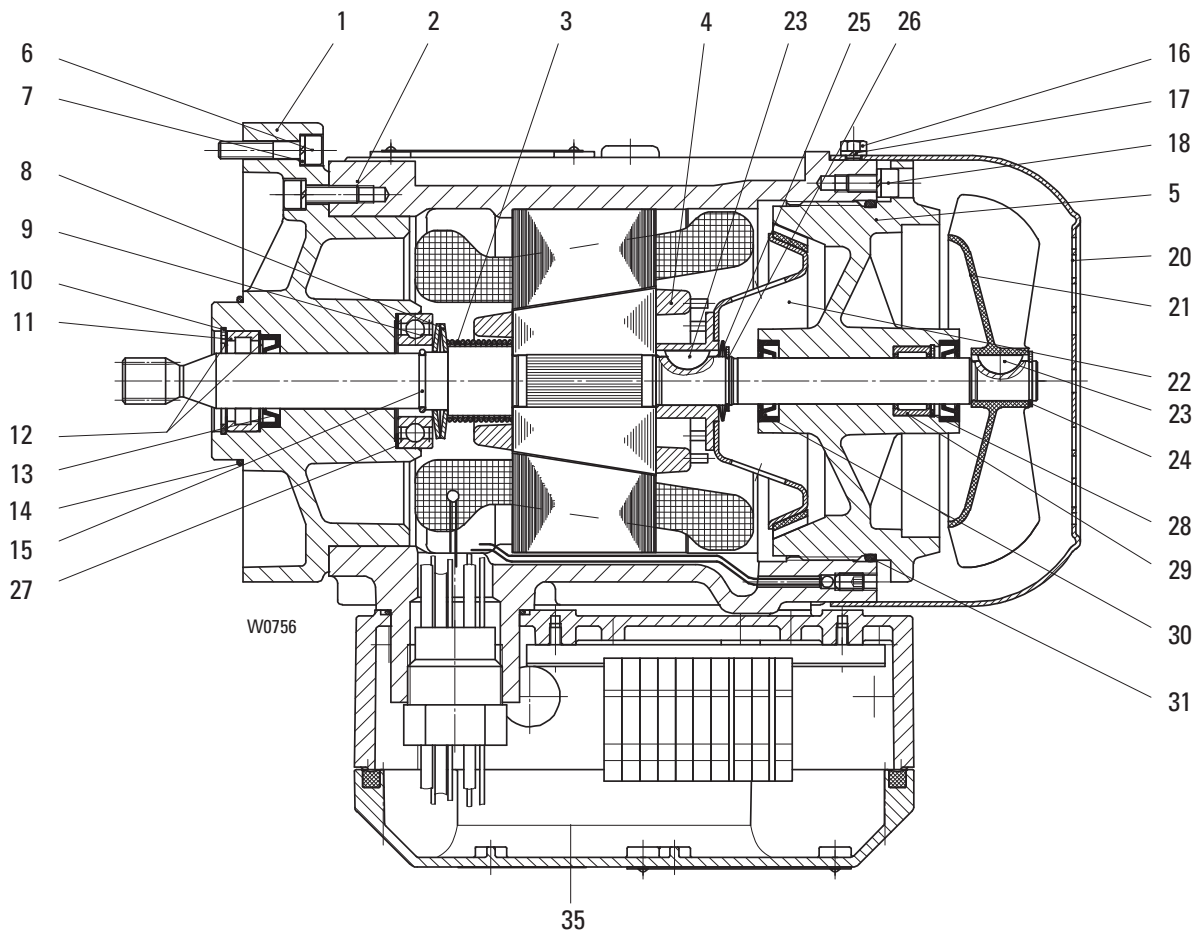
| Pos | Teil-Nummer<br>Part-Number | Stück<br>Piece | Beschreibung<br>Description | Benennung<br>Designation | Designation                     |
|-----|----------------------------|----------------|-----------------------------|--------------------------|---------------------------------|
| 1   | 24 254 20 01 0             | 4              | D 160                       | 1) 40 mm                 | Laufрад<br>Wheel                |
|     | 24 254 21 01 0             | 4              | D 160                       | 1) 50 mm                 |                                 |
| 3   | 24 254 24 14 0             | 2              |                             | Laufradwelle             | Travelling wheel shaft          |
| 4   | 24 254 21 17 0             | 2              |                             | Laufradachse             | Axle                            |
| 5   | 26 712 00 51 0             | 8              |                             | Scheibe                  | Disc                            |
| 6   | 560 049 0                  | 8              | 6211-2Z                     | Rillenkugellager         | Grooved ball bearing            |
| 7   | 501 104 0                  | 24             | M10x20-10                   | Sicherungsschraube       | Locking screw                   |
| 8   | 26 712 03 58 0             | 8              |                             | Lagerdeckel              | Bearing cover                   |
| 10  | 22 275 00 35 0             | 1              |                             | Kupplungshülse           | Coupling sleeve                 |
| 11  | 506 815 0                  | 3              | S30x42x2,5                  | Stützscheibe             | Supporting ring                 |
| 12  | 506 121 0                  | 3              | 30x2                        | Sicherungsring           | Locking ring                    |
| 13  | 22 275 04 14 0             | 1              |                             | 2) 1250 mm               | Durchtriebswelle<br>Drive shaft |
|     | 22 275 05 14 0             | 1              |                             | 2) 1400 mm               |                                 |
|     | 22 275 06 14 0             | 1              |                             | 2) 2240 mm               |                                 |
|     | 22 275 07 14 0             | 1              |                             | 2) 2800 mm               |                                 |
| 15  | 25 710 11 23 0             | 1              |                             | Puffer                   | Buffer                          |
| 17  | 05 430 11 29 0             | 1              | SH5032                      | Tragblech Lagerseite     | Support plate bearing side      |
| 18  | 05 430 10 29 0             | 1              | SH5032                      | Tragblech Getriebeseite  | Support plate gear side         |
| 19  | 507 006 0                  | 4              | S24                         | Sicherungsscheibe        | Locking disc                    |
| 20  | 500 370 0                  | 4              | M24x50                      | Skt-schraube             | Hexagon head cap screw          |

1) Schienenbreite  
2) Spurweite

1) Rail width  
2) Track gauge



**A05 ex**  
**SF 17 ... 503**  
**SF 25 ... 503**



| Pos | Teil-Nummer<br>Part-Number | Stück<br>Piece | Beschreibung<br>Description | Benennung<br>Designation                 |
|-----|----------------------------|----------------|-----------------------------|--|
|     | 35 330 56 11 0             | 1              | 2/8A05 IIB 1) (Pos.1-31)    | Motor                                    |
|     | 35 330 57 11 0             | 1              | 2/8A05 IIC 1) (Pos.1-31))   | Motor                                    |
| 1   | 35 331 23 03 0             | 1              | IIB                         | Motorflansch<br>Motor flange             |
|     | 35 331 24 03 0             | 1              | IIC                         |  |
| 2   | 35 330 77 14 9             | 1              | 1)                          | Stator<br>Stator                         |
| 3   | 33 331 20 94 0             | 1              |                             | Druckfeder<br>Pressure spring            |
| 4   | 35 330 28 13 0             | 1              |                             | Rotor<br>Rotor                           |
| 5   | 35 330 05 37 0             | 1              | IIB (Pos.28-31)             | Motordeckel<br>Motor cover               |
|     | 35 330 04 37 0             | 1              | IIC (Pos.28-31)             |  |
|     | 35 330 06 37 0             | 1              | 2) (Pos.28-31)              |  |
| 6   | 500 976 0                  | 8              | M6X30 ISO 4762              | Zyl.-Schraube<br>Socket head cap screw   |
| 7   | 506 335 0                  | 8              | 6 DIN 7980                  | Federring<br>Spring washer               |
| 8   | 562 901 0                  | 2              | 40x20,4x2,65x1,5            | Tellerfeder<br>Cup spring                |
| 9   | 560 951 0                  | 1              | 6005-2RS DIN 625            | Rillenkugellager<br>Grooved ball bearing |
| 10  | 506 261 0                  | 1              | 35x1,5 DIN 472              | Sicherungsring<br>Circlip                |
| 11  | 506 843 0                  | 1              | RNU202E DIN 5412            | Zyl.-Rollenlager<br>Roller bearing       |
| 12  | 506 889 0                  | 2              | 25x35x0,3 DIN 988           | Passscheibe<br>Adjusting washer          |
| 13  | 561 893 0                  | 1              | A19x32x7 NB                 | Wellendichtring<br>Shaft seal            |
| 14  | 515 946 0                  | 1              | 55x2 NB70                   | Runddichtring<br>Round saeling ring      |
| 15  | 507 836 0                  | 1              | A20 DIN 7993                | Spreng ring<br>Spring ring               |
| 16  | 500 419 0                  | 4              | M5x8 ISO 4017               | Skt-Schraube<br>Hexagon head cap screw   |
| 17  | 506 900 0                  | 4              | 5 DIN 7980                  | Federring<br>Spring washer               |
| 18  | 500 230 0                  | 4              | M6x12 ISO 4762-8.8          | Zyl.-Schraube<br>Socket head cap screw   |
| 20  | 35 331 22 40 0             | 1              |                             | Lüfterhaube<br>Fan cover                 |
| 21  | 576 033 0                  | 1              | V71 R/14                    | Lüfterrad<br>Fan wheel                   |

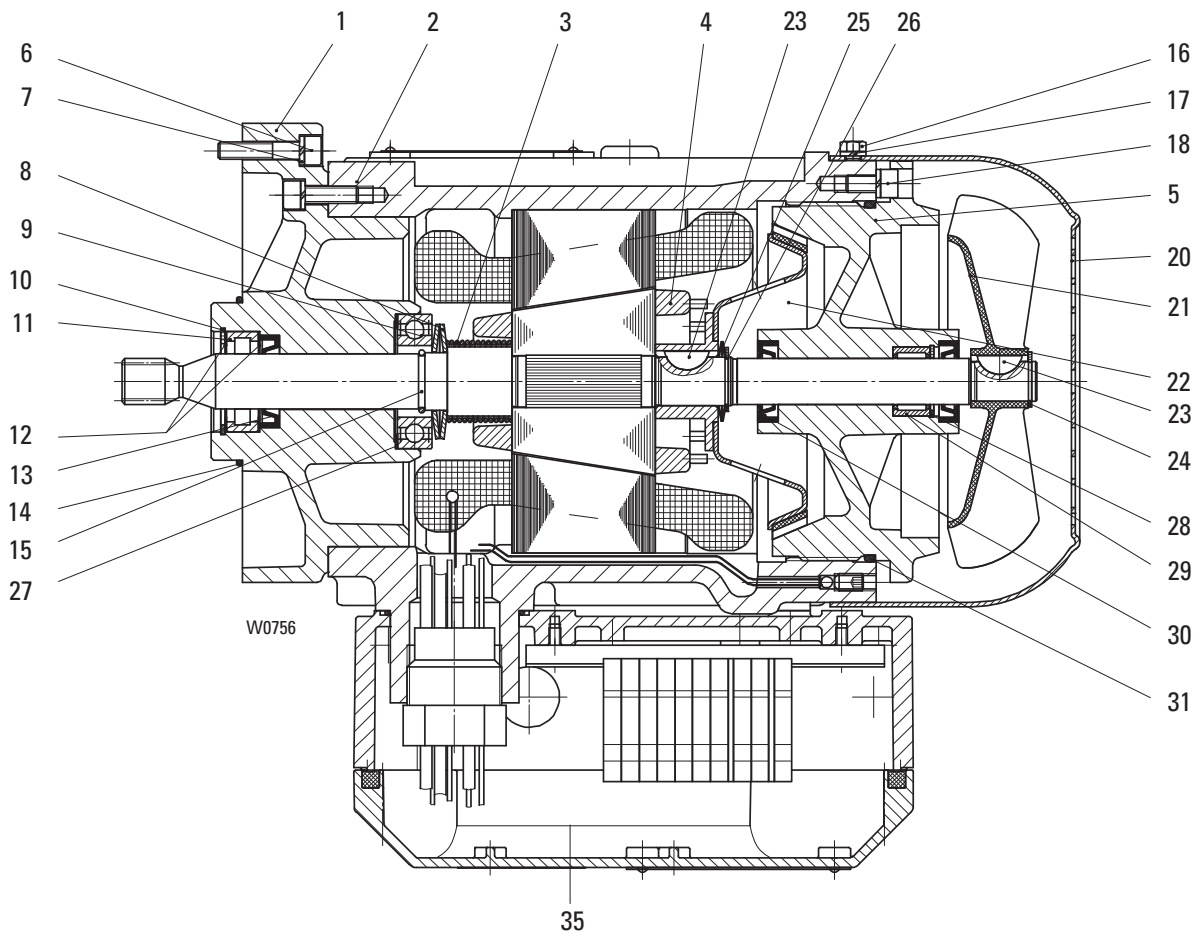
1) Bitte Betriebsspannung und Frequenz angeben.  
2) hartverchromt

1) Please state operating voltage and frequency.  
2) Hard chrome plated

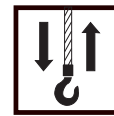


Originalteile  
Original parts  
SH 5 ex

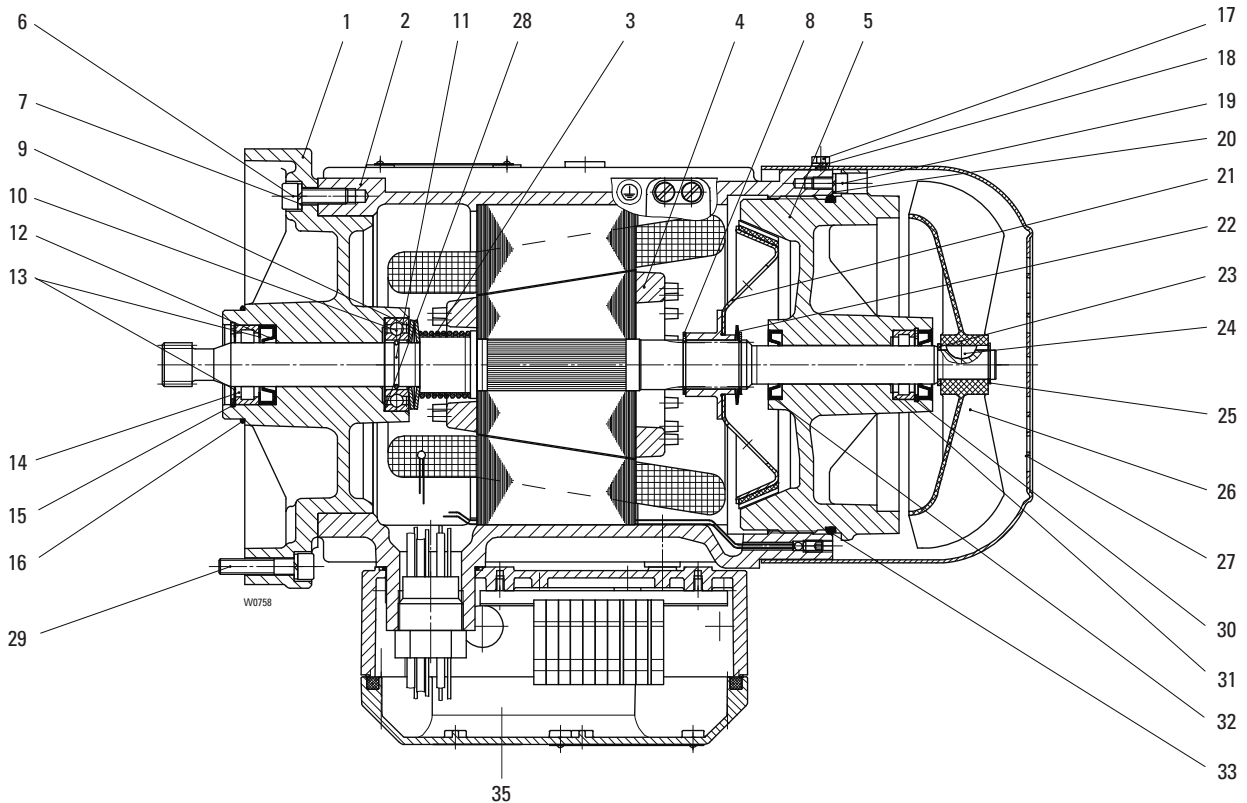
A05 ex  
SF 17 ... 503  
SF 25 ... 503



| Pos | Teil-Nummer<br>Part-Number | Stück<br>Piece | Beschreibung<br>Description | Benennung       | Designation           |
|-----|----------------------------|----------------|-----------------------------|-----------------|-----------------------|
| 22  | 35 330 20 18 0             | 1              |                             | Bremsscheibe    | Brake disc            |
| 23  | 537 936 0                  | 2              | 5x6,5<br>DIN 6888           | Scheibenfeder   | Woodruff key          |
| 24  | 506 890 0                  | 1              | 14x1<br>DIN 471             | Sicherungsring  | Circlip               |
| 25  | 562 949 0                  | 2              | 27,7x17,3x1,45              | Tellerfeder     | Cup spring            |
| 26  | 506 386 0                  | 1              | 17x1<br>DIN 471             | Sicherungsring  | Circlip               |
| 27  | 507 837 0                  | 1              | 37x47x0,3<br>DIN 988        | Passscheibe     | Adjusting washer      |
| 28  | ... ..                     | 1              | M8x40<br>ISO 4762           | Zyl-Schraube    | Socket head cap screw |
| 29  | ... ..                     | 1              | RNA 4901<br>DIN 617         | Nadellager      | Needle roller bearing |
| 30  | ... ..                     | 2              | AS 16x28x7<br>NB            | Wellendichtring | Shaft seal            |
| 31  | ... ..                     | 1              | 115x3<br>NB 70              | Runddichtring   | Round sealing ring    |
| 35  | 02 220 20 02 0             | 1              |                             | Anschlusskasten | Terminal box          |



**A1 ex**  
**SF 17 ... 113**  
**SF 25 ... 113**



| Pos | Teil-Nummer<br>Part-Number | Stück<br>Piece | Beschreibung<br>Description | Benennung<br>Designation |
|-----|----------------------------|----------------|-----------------------------|--------------------------|
|     | 41 330 42 11 0             | 1              | 2/8A1 IIB 1) (Pos.1-33)     | Motor                    |
|     | 41 330 43 11 0             | 1              | 2/8A1 IIC 1) (Pos.1-33)     | Motor                    |
| 1   | 41 331 27 03 0             | 1              | IIB                         | Motorflansch             |
|     | 41 331 28 03 0             | 1              | IIC                         | Motor flange             |
| 2   | 41 330 73 14 9             | 1              | 2/8A1 1)                    | Stator                   |
| 3   | 38 331 01 94 0             | 1              |                             | Druckfeder               |
| 4   | 41 330 26 13 0             | 1              |                             | Rotor                    |
| 5   | 41 330 06 37 0             | 1              | IIB (Pos.30-32)             | Motordeckel              |
|     | 41 330 05 37 0             | 1              | IIC (Pos.30-32)             | Motor cover              |
|     | 41 330 07 37 0             | 1              | IIC 2) (Pos.30-32)          |                          |
| 6   | 500 234 0                  | 4              | M8x25 ISO 4762              | Zyl-Schraube             |
| 7   | 506 459 0                  | 4              | 8 DIN 7980                  | Federring                |
| 8   | 506 097 0                  | 2              | 25x1,2 DIN 471              | Sicherungsring           |
| 9   | 41 331 00 14 0             | 2              | 45x22,4x3,05x1,75           | Tellerfeder              |
| 10  | 560 951 0                  | 1              | 6005-2RS DIN 625            | Rillenkugellager         |
| 12  | 561 854 0                  | 1              | A22x40x8                    | Wellendichtring          |
| 13  | 506 805 0                  | 2              | 28x40x0,5 DIN 988           | Passscheibe              |
| 14  | 560 844 0                  | 1              | RNU 203 E DIN 5412          | Zyl-Rollenlager          |
| 15  | 506 262 0                  | 1              | 40x1,75 DIN 472             | Sicherungsring           |
| 16  | 515 946 0                  | 1              | 55x2 NB70                   | Runddichtring            |
| 17  | 500 419 0                  | 4              | M5x8 ISO4017                | Skt-Schraube             |
| 18  | 506 900 0                  | 4              | 5 DIN 7980                  | Federring                |
| 19  | 500 230 0                  | 4              | M6x12 ISO 4762              | Zyl-Schraube             |
| 20  | 506 335 0                  | 4              | 6 DIN 7980                  | Federring                |
| 21  | 41 330 20 18 0             | 1              |                             | Bremsscheibe             |
| 22  | 562 939 0                  | 2              |                             | Tellerfeder              |

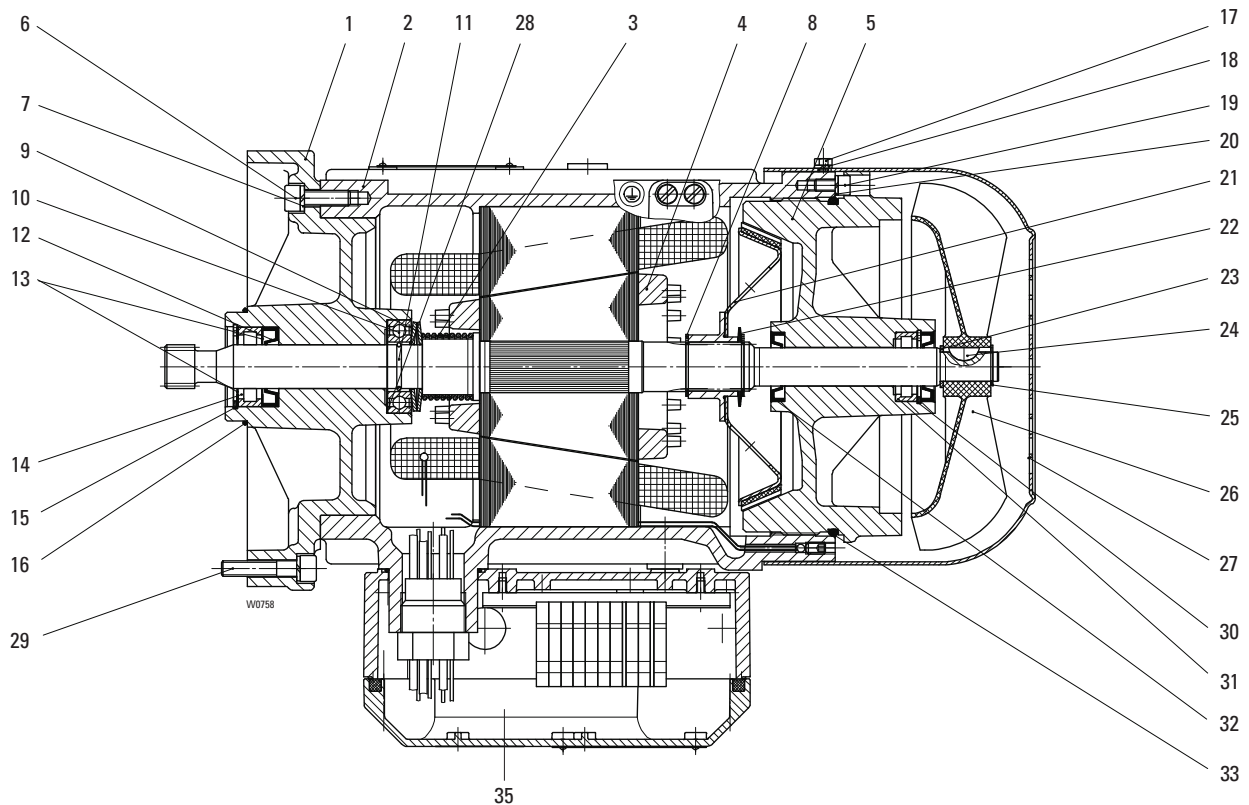
1) Bitte Betriebsspannung und Frequenz angeben.  
2) hartverchromt

1) Please state operating voltage and frequency.  
2) Hard chrome plated



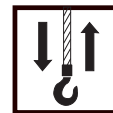
Originalteile  
Original parts  
SH 5 ex

A1 ex  
SF 17 ... 113  
SF 25 ... 113

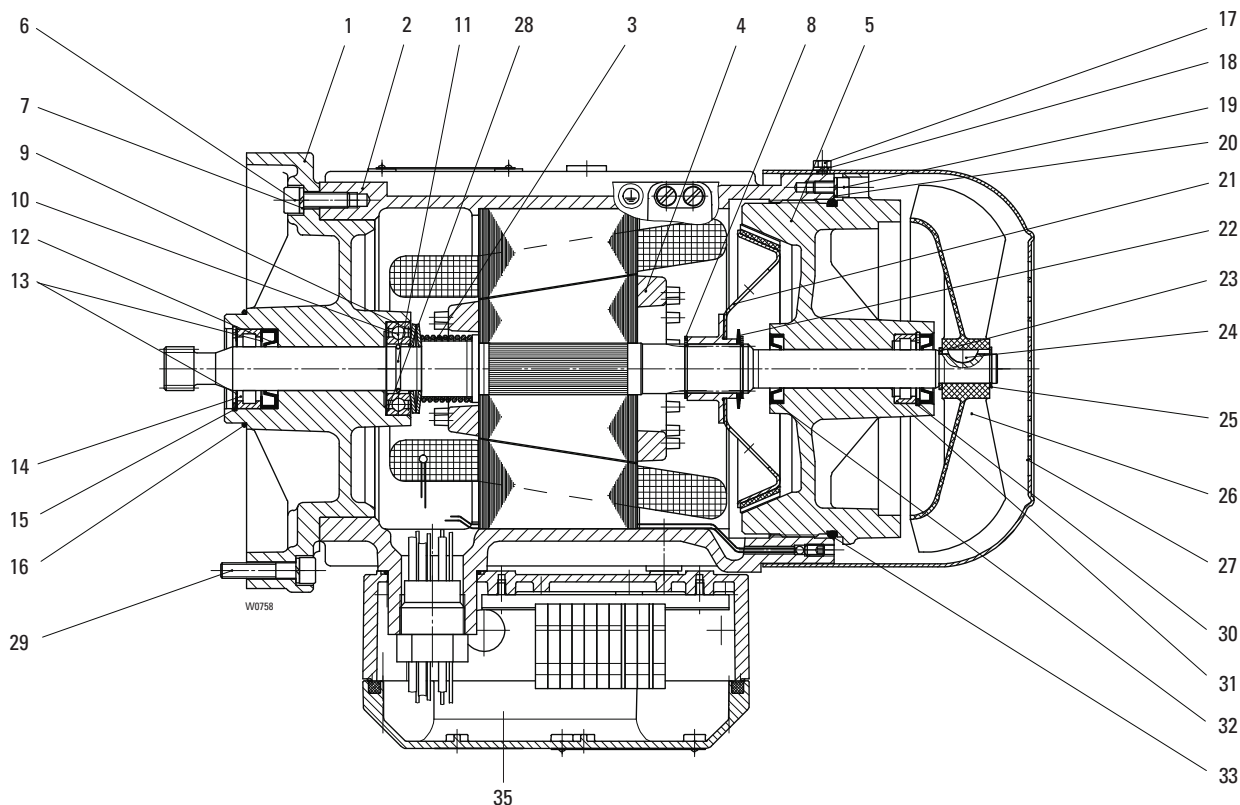


| Pos | Teil-Nummer<br>Part-Number | Stück<br>Piece | Beschreibung<br>Description | Benennung<br>Designation              |
|-----|----------------------------|----------------|-----------------------------|---------------------------------------|
| 23  | 506 844 0                  | 1              | S15x21x1,5                  | Stützscheibe<br>Supporting ring       |
| 24  | 537 936 0                  | 1              | 5x6,5                       | Scheibenfeder<br>Woodruff key         |
| 25  | 506 093 0                  | 1              |                             | Sicherungsring<br>Circlip             |
| 26  | 576 030 0                  | 1              | V100 R/15                   | Lüfterrad<br>Fan wheel                |
| 27  | 41 331 21 40 0             | 1              |                             | Lüfterhaube<br>Fan cover              |
| 28  | 507 837 0                  | 1              | 37x47x0,3                   | Passscheibe<br>Adjusting washer       |
| 29  | 500 146 0                  | 4              | M8x40                       | Zyl-Schraube<br>Socket head cap screw |
| 30  | ...                        | 1              | 35x1,5                      | Sicherungsring<br>Circlip             |
| 31  | ...                        | 1              | RNU 202 E                   | Zyl-Rollenlager<br>Roller bearing     |
| 32  | ...                        | 2              | A19x35x7                    | Wellendichtring<br>Shaft seal         |
| 33  | 515 980 0                  | 1              | 160x4                       | Runddichtring<br>Round sealing ring   |
| 35  | 02 220 20 02 0             | 1              |                             | Anschlusskasten<br>Terminal box       |





**A1 ex**  
**SF 17 ... 103**  
**SF 25 ... 103**



| Pos | Teil-Nummer<br>Part-Number | Stück<br>Piece | Beschreibung<br>Description | Benennung<br>Designation | Designation |                  |                        |
|-----|----------------------------|----------------|-----------------------------|--------------------------|-------------|------------------|------------------------|
|     | 41 330 40 11 0             | 1              | 2/8A1 IIB                   | 1)                       | (Pos.1-33)  | Motor            | Motor                  |
|     | 41 330 41 11 0             | 1              | 2/8A1 IIC                   | 1)                       | (Pos.1-33)  |                  |                        |
| 1   | 41 331 27 03 0             | 1              | IIB                         |                          |             | Motorflansch     | Motor flange           |
|     | 41 331 28 03 0             | 1              | IIC                         |                          |             |                  |                        |
| 2   | 41 330 74 14 9             | 1              | 2/8A1                       | 1)                       |             | Stator           | Stator                 |
| 3   | 38 331 01 94 0             | 1              |                             |                          |             | Druckfeder       | Pressure spring        |
| 4   | 41 330 26 13 0             | 1              |                             |                          |             | Rotor            | Rotor                  |
| 5   | 41 330 06 37 0             | 1              | IIB                         |                          | (Pos.30-32) | Motordeckel      | Motor cover            |
|     | 41 330 05 37 0             | 1              | IIC                         |                          | (Pos.30-32) |                  |                        |
|     | 41 330 07 37 0             | 1              | IIC                         | 2)                       | (Pos.30-32) |                  |                        |
| 6   | 500 234 0                  | 4              | M8x25                       |                          | ISO 4762    | Zyl-Schraube     | Socket head cap        |
| 7   | 506 459 0                  | 4              | 8                           |                          | DIN 7980    | Federring        | Locking ring           |
| 8   | 506 097 0                  | 2              | 25x1,2                      |                          | DIN 471     | Sicherungsring   | Circlip                |
| 9   | 41 331 00 14 0             | 2              | 45x22,4x3,05x1,75           |                          |             | Tellerfeder      | Cup spring             |
| 10  | 560 951 0                  | 1              | 6005-2RS                    |                          | DIN 625     | Rillenkugellager | Grooved ball bearing   |
| 12  | 561 854 0                  | 1              | A22x40x8                    |                          |             | Wellendichtring  | Shaft seal             |
| 13  | 506 805 0                  | 2              | 28x40x0,5                   |                          | DIN 988     | Passscheibe      | Adjusting washer       |
| 14  | 560 844 0                  | 1              | RNU 203 E                   |                          | DIN 5412    | Zyl-Rollenlager  | Roller bearing         |
| 15  | 506 262 0                  | 1              | 40x1,75                     |                          | DIN 472     | Sicherungsring   | Circlip                |
| 16  | 515 946 0                  | 1              | 55x2                        |                          | NB70        | Runddichtring    | Round sealing ring     |
| 17  | 500 419 0                  | 4              | M5x8                        |                          | ISO4017     | Skf-Schraube     | Hexagon head cap screw |
| 18  | 506 900 0                  | 4              | 5                           |                          | DIN 7980    | Federring        | Spring washer          |
| 19  | 500 230 0                  | 4              | M6x12                       |                          | ISO 4762    | Zyl-Schraube     | Socket head cap screw  |
| 20  | 506 335 0                  | 4              | 6                           |                          | DIN 7980    | Federring        | Spring washer          |
| 21  | 41 330 20 18 0             | 1              |                             |                          |             | Bremsscheibe     | brake disc             |
| 22  | 562 939 0                  | 2              |                             |                          |             | Tellerfeder      | Cup spring             |

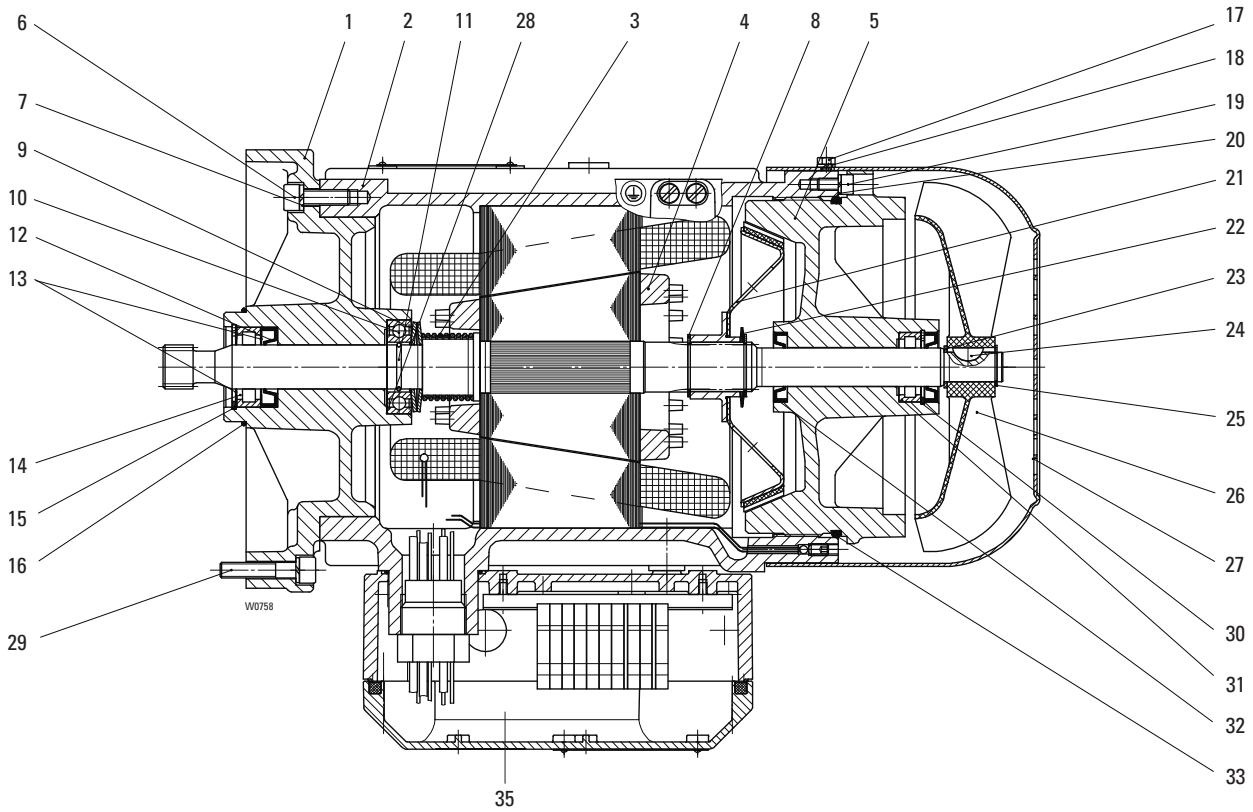
1) Bitte Betriebsspannung und Frequenz angeben.  
2) hartverchromt

1) Please state operating voltage and frequency.  
2) Hard chrome plated

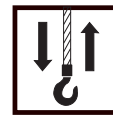


Originalteile  
Original parts  
SH 5 ex

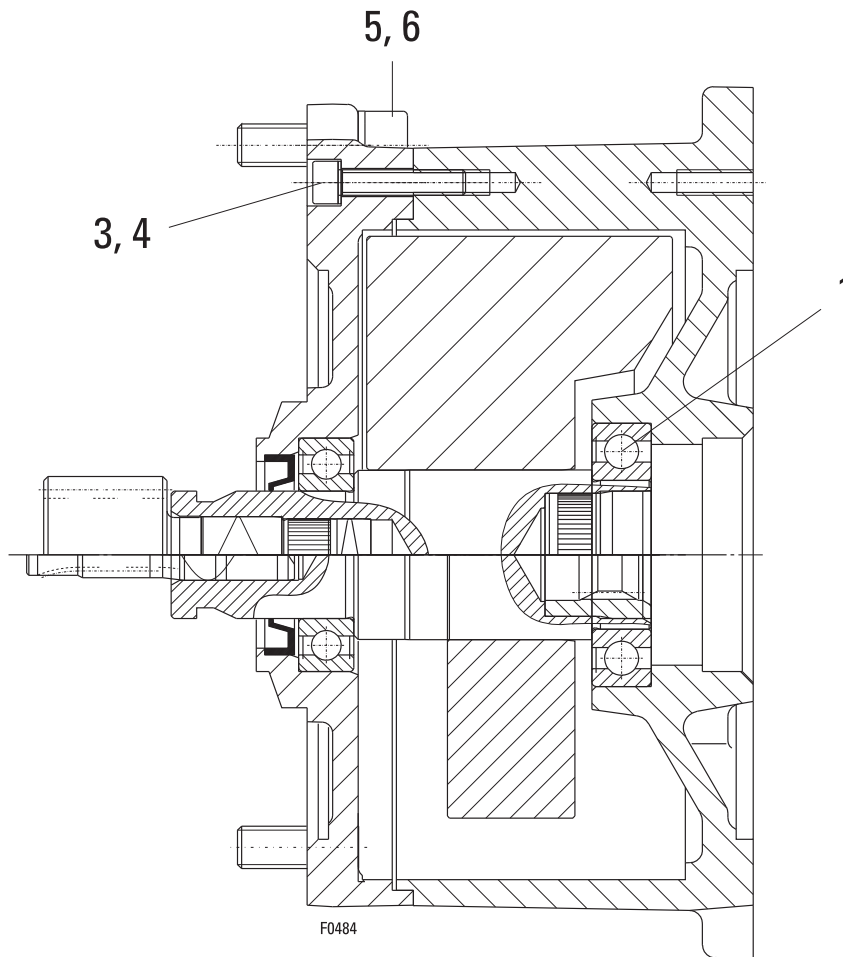
A1 ex  
SF 17 ... 103  
SF 25 ... 103



| Pos | Teil-Nummer<br>Part-Number | Stück<br>Piece | Beschreibung<br>Description | Benennung<br>Designation              |
|-----|----------------------------|----------------|-----------------------------|---------------------------------------|
| 23  | 506 844 0                  | 1              | S15x21x1,5                  | Stützscheibe<br>Supporting ring       |
| 24  | 537 936 0                  | 1              | 5x6,5                       | Scheibenfeder<br>Woodruff key         |
| 25  | 506 093 0                  | 1              |                             | Sicherungsring<br>Circlip             |
| 26  | 576 030 0                  | 1              | V100 R/15                   | Lüfterrad<br>Fan wheel                |
| 27  | 41 331 21 40 0             | 1              |                             | Lüfterhaube<br>Fan cover              |
| 28  | 507 837 0                  | 1              | 37x47x0,3                   | Passscheibe<br>Adjusting washer       |
| 29  | 500 146 0                  | 4              | M8x40                       | Zyl-Schraube<br>Socket head cap screw |
| 30  | ...                        | 1              | 35x1,5                      | Sicherungsring<br>Circlip             |
| 31  | ...                        | 1              | RNU 202 E                   | Zyl-Rollenlager<br>Roller bearing     |
| 32  | ...                        | 2              | A19x35x7                    | Wellendichtring<br>Shaft seal         |
| 33  | 515 980 0                  | 1              | 160x4                       | Runddichtring<br>Round sealing ring   |
| 35  | 02 220 20 02 0             | 1              |                             | Anschlusskasten<br>Terminal box       |



SF 17 ...

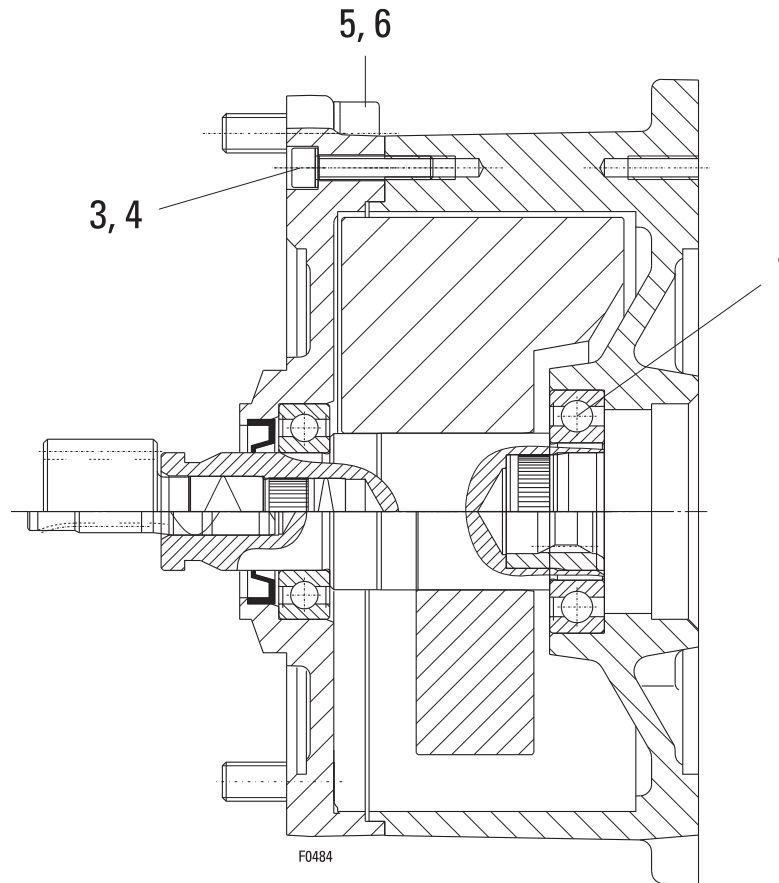


| Pos | Teil-Nummer<br>Part-Number | Stück<br>Piece | Beschreibung<br>Description | Benennung          | Designation       |                   |                       |
|-----|----------------------------|----------------|-----------------------------|--------------------|-------------------|-------------------|-----------------------|
|     | 21 270 10 32 0             | 1              | SF 17 219 503               | Schwungradkupplung | Flywheel coupling |                   |                       |
|     | 21 270 11 32 0             | 1              | SF 17 217 503               |                    |                   |                   |                       |
|     | 21 270 12 32 0             | 1              | SF 17 215 503               |                    |                   |                   |                       |
|     | 21 270 13 32 0             | 1              | SF 17 213 503               |                    |                   |                   |                       |
|     | 21 270 14 32 0             | 1              | SF 17 211 503               |                    |                   |                   |                       |
|     | 21 270 15 32 0             | 1              | SF 17 209 503               |                    |                   |                   |                       |
|     | 21 270 16 32 0             | 1              | SF 17 207 503               |                    |                   |                   |                       |
|     | 21 270 18 32 0             | 1              | SF 17 217 113               |                    |                   |                   |                       |
|     | 21 270 19 32 0             | 1              | SF 17 215 113               |                    |                   |                   |                       |
|     | 21 270 20 32 0             | 1              | SF 17 213 113               |                    |                   |                   |                       |
|     | 21 270 21 32 0             | 1              | SF 17 211 113               |                    |                   |                   |                       |
|     | 21 270 22 32 0             | 1              | SF 17 209 113               |                    |                   |                   |                       |
|     | 21 270 23 32 0             | 1              | SF 17 207 113               |                    |                   |                   |                       |
|     | 21 270 28 32 0             | 1              | SF 17 211 103               |                    |                   |                   |                       |
|     | 21 270 29 32 0             | 1              | SF 17 209 103               |                    |                   |                   |                       |
|     | 21 270 30 32 0             | 1              | SF 17 207 103               |                    |                   |                   |                       |
| 1   | 560 989 0                  | 1              | 6007-2Z<br>DIN 625          |                    |                   | Rillenkugellager  | Grooved ball bearing  |
| 3   | 500 976 0                  | 8              | M6x30<br>ISO 4762-8.8       |                    |                   | Zyl-Schraube      | Socket head cap screw |
| 4   | 506 838 0                  | 8              | S6                          |                    |                   | Sicherungsscheibe | Lock washer           |
| 5   | 500 236 0                  | 4              | M10x30<br>DIN 912-8.8       |                    |                   | Zyl-Schraube      | Socket head cap screw |
| 6   | 506 128 0                  | 4              | VS10                        | Sicherungsscheibe  | Lock washer       |                   |                       |

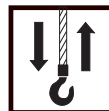


Originalteile  
Original parts  
SH 5 ex

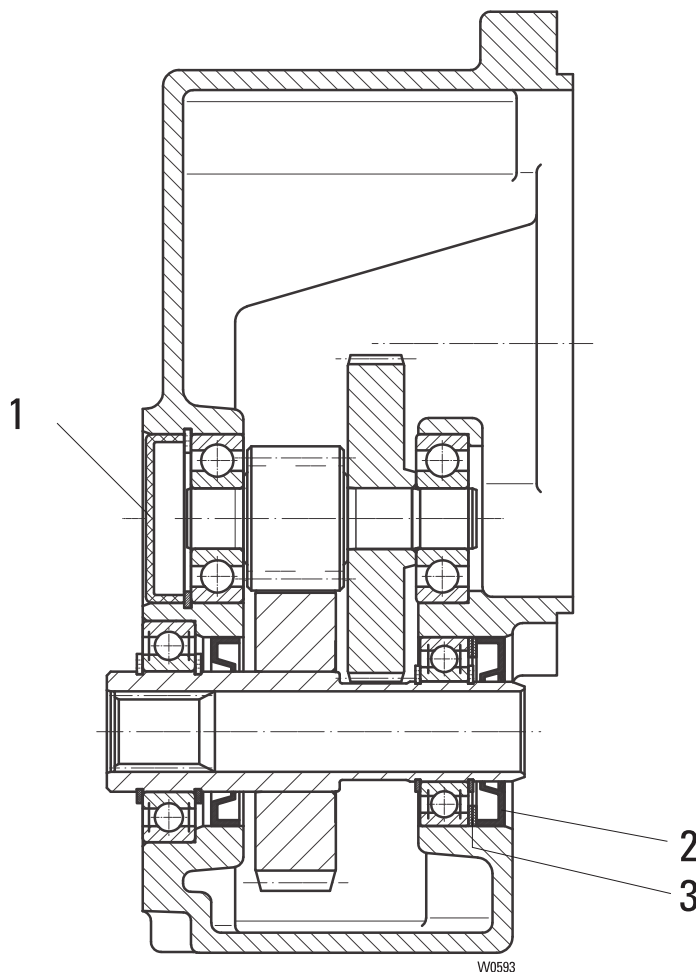
SF 25 ...



| Pos | Teil-Nummer<br>Part-Number | Stück<br>Piece | Beschreibung<br>Description | Benennung                         | Designation                          |
|-----|----------------------------|----------------|-----------------------------|-----------------------------------|--------------------------------------|
|     | 21 270 10 32 0             | 1              | SF 25 230 503               | Schwungradkupplung                | Flywheel coupling                    |
|     | 21 270 11 32 0             | 1              | SF 25 228 503               |                                   |                                      |
|     |                            | 1              | SF 25 226 503               |                                   |                                      |
|     | 21 270 13 32 0             | 1              | SF 25 224 503               |                                   |                                      |
|     |                            | 1              | SF 25 222 503               |                                   |                                      |
|     | 21 270 15 32 0             | 1              | SF 25 220 503               |                                   |                                      |
|     | 21 270 32 32 0             | 1              | SF 25 228 113               |                                   |                                      |
|     |                            | 1              | SF 25 226 113               |                                   |                                      |
|     | 21 270 34 32 0             | 1              | SF 25 224 113               |                                   |                                      |
|     |                            | 1              | SF 25 222 113               |                                   |                                      |
|     | 21 270 36 32 0             | 1              | SF 25 220 113               |                                   |                                      |
|     |                            | 1              | SF 25 218 113               |                                   |                                      |
|     | 21 270 38 32 0             | 1              | SF 25 216 113               |                                   |                                      |
|     | 21 270 27 32 0             | 1              | SF 25 224 103               |                                   |                                      |
|     |                            | 1              | SF 25 222 103               |                                   |                                      |
|     | 21 270 29 32 0             | 1              | SF 25 220 103               |                                   |                                      |
|     |                            | 1              | SF 25 218 103               |                                   |                                      |
|     | 21 270 31 32 0             | 1              | SF 25 216 103               |                                   |                                      |
|     | 22 270 11 32 0             | 1              | SF 25 220 203               |                                   |                                      |
|     |                            |                | SF 25 218 203               |                                   |                                      |
|     | 22 270 13 32 0             | 1              | SF 25 216 203               |                                   |                                      |
|     | 21 270 38 32 0             | 1              | SF 25 83. 113               |                                   |                                      |
| 1   | 560 989 0                  | 1              | 6007-2Z                     | Rillenkugellager                  | Grooved ball bearing                 |
| 3   | 500 976 0                  | 8              | M6x30                       | Zyl-Schraube<br>Sicherungsscheibe | Socket head cap screw<br>Lock washer |
| 4   | 506 838 0                  | 8              | S6                          |                                   |                                      |
| 5   | 500 236 0                  | 4              | M10x30                      | Zyl-Schraube<br>Sicherungsscheibe | Socket head cap screw<br>Lock washer |
| 6   | 506 128 0                  | 4              | VS10                        |                                   |                                      |



SF 17 2..



| Pos | Teil-Nummer<br>Part-Number | Stück<br>Piece | Beschreibung<br>Description | Benennung<br>Designation | Designation      |      |
|-----|----------------------------|----------------|-----------------------------|--------------------------|------------------|------|
|     | 21 270 04 30 0             | 1              | SF17 219                    | 1)                       | Getriebe         | Gear |
|     | 21 270 05 30 0             | 1              | SF17 217                    | 1)                       |                  |      |
|     | 21 270 06 30 0             | 1              | SF17 215                    | 1)                       |                  |      |
|     | 21 270 07 30 0             | 1              | SF17 213                    | 1)                       |                  |      |
|     | 21 270 08 30 0             | 1              | SF17 211                    | 1)                       |                  |      |
|     | 21 270 09 30 0             | 1              | SF17 209                    | 1)                       |                  |      |
|     | 21 270 10 30 0             | 1              | SF17 207                    | 1)                       |                  |      |
| 1   | 518 036 0                  | 1              | 42x9,5                      | Verschlusskappe          | End cap          |      |
| 2   | 561 120 0                  | 1              | 25x47x7                     | Wellendichtring          | Shaft seal       |      |
| 3   | 507 876 0                  | 2              | 37x47x1                     | Passscheibe              | Adjusting washer |      |

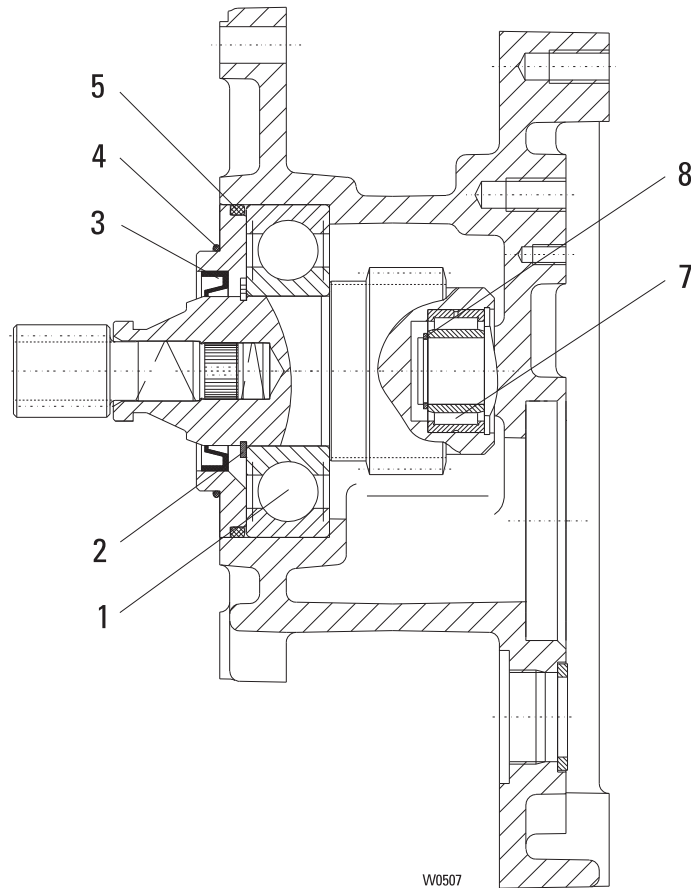
1) Getriebe bis auf gekennzeichnete Teile nur komplett lieferbar.  
Ohne Getriebeöl: Erforderliche Menge siehe Betriebsanleitung

1) Gear only available as complete unit except the signed parts  
Without gear oil: amount required see operating instruction.

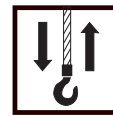


**Originalteile**  
**Original parts**  
**SH 5 ex**

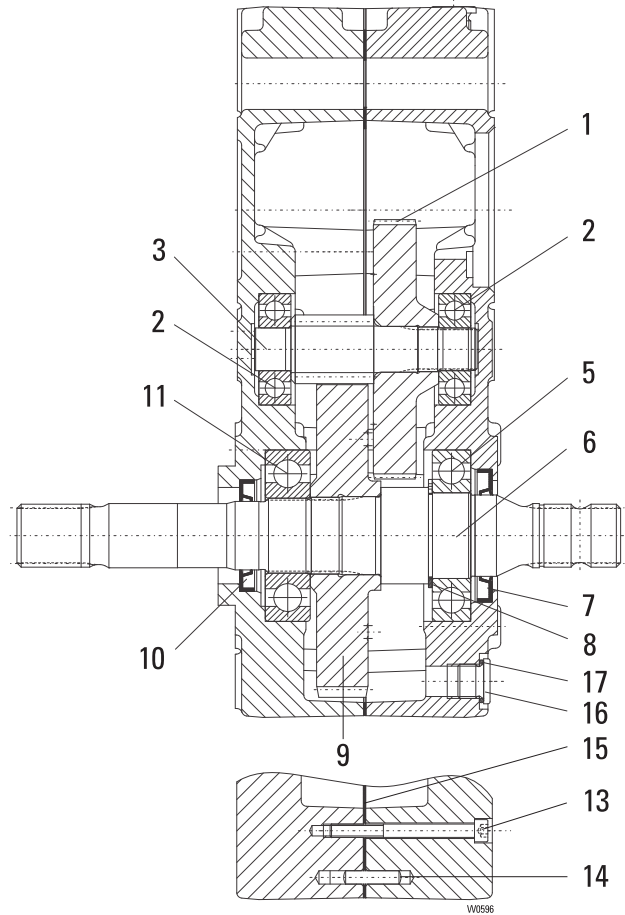
SF 25 83.



| Pos | Teil-Nummer<br>Part-Number | Stück<br>Piece | Beschreibung<br>Description | Benennung        | Designation           |
|-----|----------------------------|----------------|-----------------------------|------------------|-----------------------|
|     | 24 270 39 30 0             | 1              | SF 25 832                   | Zwischengetriebe | Intermediate gear     |
|     |                            | 1              | SF 25 834                   |                  |                       |
|     | 24 270 37 30 0             | 1              | SF 25 830                   |                  |                       |
| 1   | 560 829 0                  | 1              | 6309-27                     | Rillenkugellager | Grooved ball bearing  |
| 2   | 506 101 0                  | 1              | 45x1,75                     | Sicherungsring   | Locking ring          |
| 3   | 561 026 0                  | 1              | 45x60x8 NB                  | Wellendichtring  | Shaft seal            |
| 4   | 515 953 0                  | 1              | 70x2                        | Runddichtring    | Round sealing ring    |
| 5   | 515 970 0                  | 1              | 90x4                        | Runddichtring    | Round sealing ring    |
| 7   | 560 995 0                  | 1              | NA 4904                     | Nadellager       | needle roller bearing |
| 8   | 507 122 0                  | 1              | SW 20                       | Sprengring       | Circlip               |



**SF 25 ...**



| Pos | Teil-Nummer<br>Part-Number | Stück<br>Piece | Beschreibung<br>Description                          | Benennung           | Designation             |
|-----|----------------------------|----------------|--|---------------------|-------------------------|
|     | 22 270 00 30 0             | 1              | SF 25 228, SF 25 834 1)                              | Getriebe            | Gear                    |
|     | 22 270 01 30 0             | 1              | SF 25 226, SF 25 832 1)                              |                     |                         |
|     | 22 270 02 30 0             | 1              | SF 25 224, SF 25 830 1)                              |                     |                         |
|     | 22 270 03 30 0             | 1              | SF 25 222 1)   |                     |                         |
|     | 22 270 04 30 0             | 1              | SF 25 220 1)   |                     |                         |
|     | 22 270 05 30 0             | 1              | SF 25 218 1)   |                     |                         |
|     | 22 270 06 30 0             | 1              | SF 25 216 1)   |                     |                         |
|     | 22 270 16 30 0             | 1              | SF 25 230 1)   |                     |                         |
| 1   | 22 273 05 11 0             | 1              | SF 25 228, SF 25 226 SF 25 834, SF 25 832            | Zahnrad             | Toothed wheel           |
|     | 22 273 04 11 0             | 1              | SF 25 224, SF 25 222 SF 25 830                       |                     |                         |
|     | 22 273 03 11 0             | 1              | SF 25 220, SF 25 218                                 |                     |                         |
|     | 22 273 02 11 0             | 1              | SF 25 216  |                     |                         |
|     | 22 273 08 11 0             | 1              | SF 25 230  |                     |                         |
| 2   | 560 053 0                  | 2              | 6304 DIN 625   | Rillenkugellager    | Grooved ball bearing    |
| 3   | 23 273 00 19 0             | 1              | SF 25 228, SF 25 224 SF 25 220, SF 25 216, SF 25 230 | Ritzelwelle         | Pinion shaft            |
|     |                            | 1              | SF 25 834, SF 25 830                                 |                     |                         |
|     | 23 273 01 19 0             | 1              | SF 25 226, SF 25 222 SF 25 218 SF 25 832             |                     |                         |
| 5   | 560 986 0                  | 1              | 6208-C3 DIN 625                                      | Rillenkugellager    | Grooved ball bearing    |
| 6   | 22 273 02 23 0             | 1              |  | Abtriebswelle       | Drive shaft             |
| 7   | 561 125 0                  | 1              | 38x62x7 DIN 3760                                     | Wellendichtring     | Shaft seal              |
| 8   | 506 247 0                  | 1              | 40x1,75 DIN 471                                      | Sicherungsring      | Locking ring            |
| 9   | 22 273 07 11 0             | 1              | SF 25 228, SF 25 224 SF 25 220, SF 25 216, SF 25 230 | Zahnrad             | Toothed wheel           |
|     |                            | 1              | SF 25 832, SF 25 830                                 |                     |                         |
|     | 22 273 06 11 0             | 1              | SF 25 226, SF 25 222 SF 25 218 SF 25 832             |                     |                         |
| 10  | 561 992 0                  | 1              | 32x52x7 DIN 3760                                     | Wellendichtring     | Shaft seal              |
| 11  | 560 061 0                  | 1              | 6307 DIN 625   | Rillenkugellager    | Grooved ball bearing    |
| 13  | 500 804 0                  | 8              | M6x65 ISO 4762                                       | Zyl.-Schraube       | Socketed head cap screw |
| 14  | 504 029 0                  | 4              | 6m6x24 ISO 2338                                      | Zyl.-Stift          | Pin                     |
| 15  | 22 273 00 95 0             | 1              |  | Dichtung            | Seal                    |
| 16  | 503 954 0                  | 2              |  | Verschlusssschraube | Locking bolt            |
| 17  | 515 004 0                  | 2              | C16X20 DIN 7603                                      | Dichtring           | Washer                  |

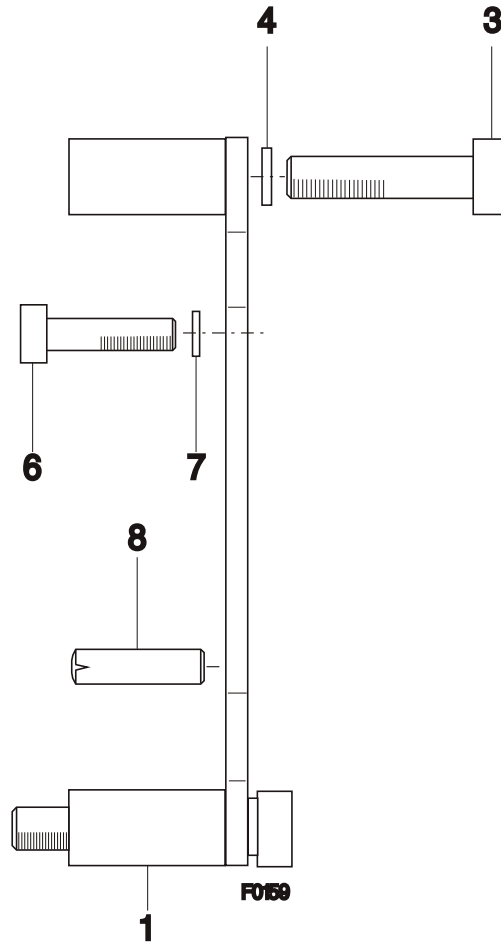
1) Ohne Getriebeöl: Erforderliche Menge siehe Betriebsanleitung

1) Without gear oil: amount required see operating instruction



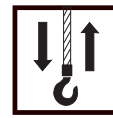
Originalteile  
Original parts  
SH 5 ex

SF 17  
KE-S 65

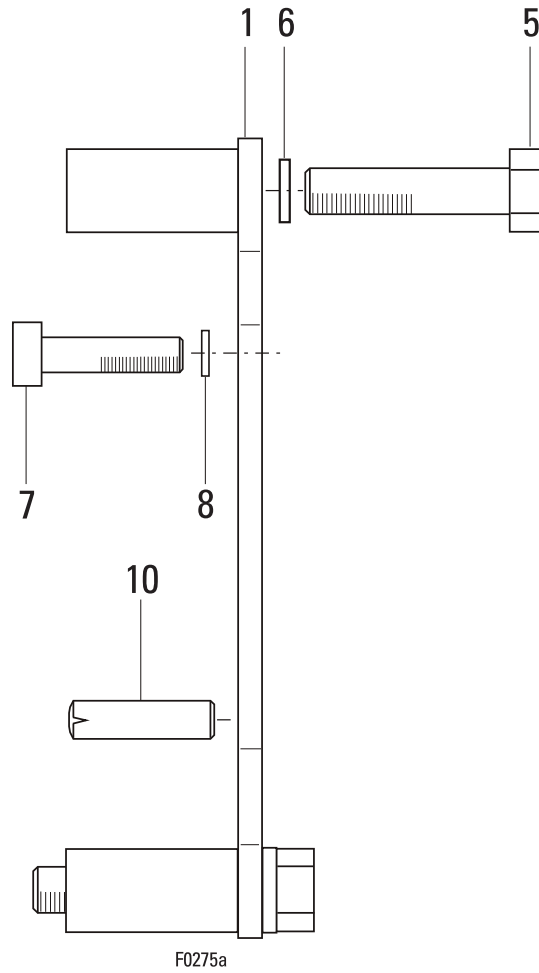


| Pos | Teil-Nummer<br>Part-Number | Stück<br>Piece | Beschreibung<br>Description             | Benennung<br>Designation              |
|-----|----------------------------|----------------|---|---------------------------------------|
| 1   | 21 270 01 22 0             | 1              | SF1 (Pos.3-8)                           | Drehmomentstütze<br>Torque support    |
| 3   | 500 980 0                  | 4              | M8x45<br>DIN 912-8.8                    | Zyl-Schraube<br>Socket head cap screw |
| 4   | 506 839 0                  | 4              | S8<br>Sicherungsscheibe<br>Locking disc | Sicherungsscheibe<br>Locking disc     |
| 6   | 500 144 0                  | 4              | M8x16<br>DIN 912-8.8                    | Zyl-Schraube<br>Socket head screw     |
| 7   | 506 839 0                  | 4              | S8<br>Sicherungsscheibe<br>Locking disc | Sicherungsscheibe<br>Locking disc     |
| 8   | 504 960 0                  | 2              | 8m6x24<br>DIN 7                         | Zyl-Stift<br>Pin                      |





SF 25  
OE-S 05

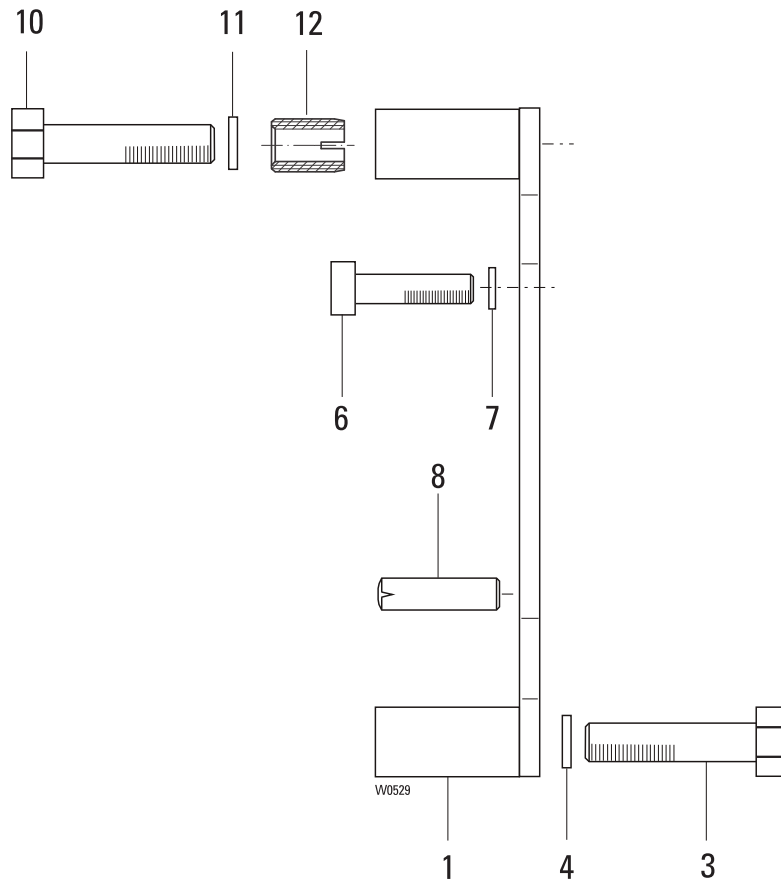


| Pos | Teil-Nummer<br>Part-Number | Stück<br>Piece | Beschreibung<br>Description | Benennung         | Designation          |
|-----|----------------------------|----------------|-----------------------------|-------------------|----------------------|
| 1   | 22 270 01 22 0             | 1              | SF 25<br>(Pos.5-10)         | Drehmomentstütze  | Torque support       |
| 5   | 500 205 0                  | 4              | M12x50<br>ISO 4014          | Skt-Schraube      | Haxon head cap screw |
| 6   | 507 104 0                  | 4              | SKM12                       | Sperrkantscheibe  | Lock washer          |
| 7   | 500 234 0                  | 4              | M8x25 8.8<br>ISO 4762       | Zyl-Schraube      | Socket head screw    |
| 8   | 506 839 0                  | 4              | S8                          | Sicherungsscheibe | Locking disc         |
| 10  | 504 960 0                  | 2              | 8m6x24<br>DIN 7             | Zyl-Stift         | Pin                  |



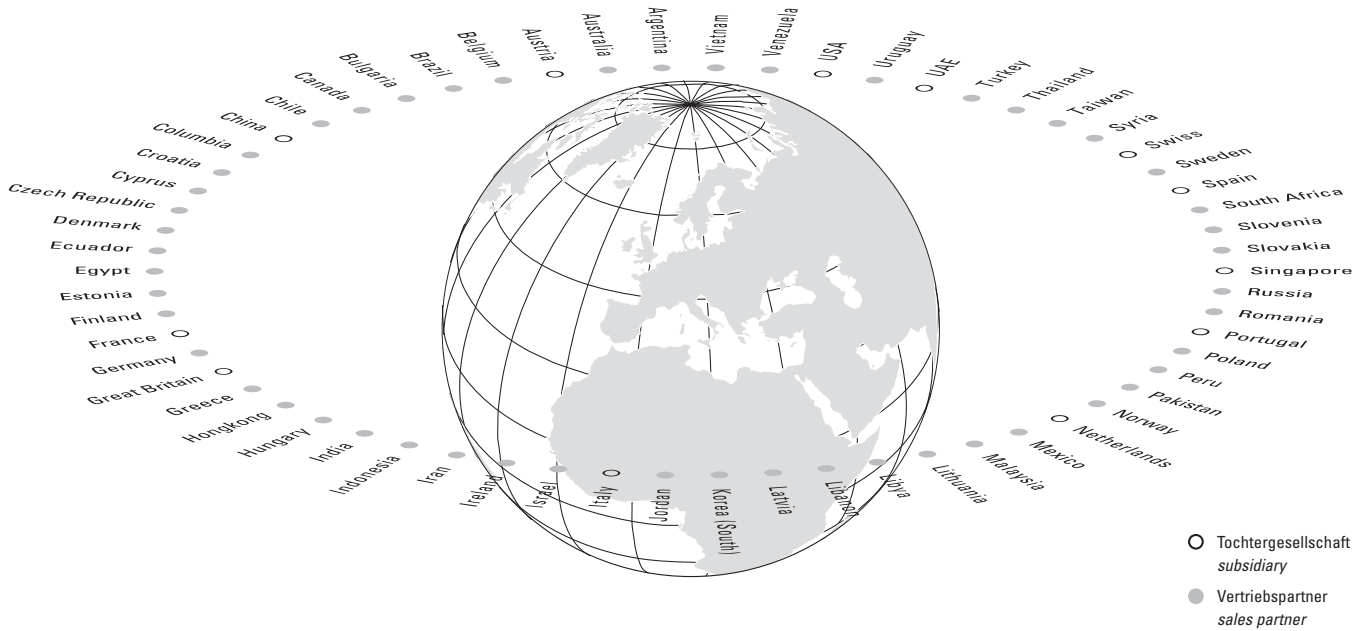
Originalteile  
Original parts  
SH 5 ex

SF 25  
OE-S 06



| Pos | Teil-Nummer<br>Part-Number | Stück<br>Piece | Beschreibung<br>Description | Benennung         | Designation            |
|-----|----------------------------|----------------|-----------------------------|-------------------|------------------------|
| 1   | 22 270 03 22 0             | 1              | SF 25 (Pos.3-11)            | Drehmomentstütze  | Torque support         |
| 3   | 500 205 0                  | 2              | M12x50 8.8                  | Skt-Schraube      | Hexagon head cap screw |
| 4   | 507 104 0                  | 2              | SKM12                       | Sperrkantscheibe  | Locking disc           |
| 6   | 500 234 0                  | 4              | M8x25 8.8                   | Zyl-Schraube      | Socket head screw      |
| 7   | 506 839 0                  | 4              | S8                          | Sicherungsscheibe | Locking disc           |
| 8   | 504 960 0                  | 2              | 8m6x24                      | Zyl-Stift         | Pin                    |
| 10  | 500 303 0                  | 2              | M12x40 8.8                  | Skt-Schraube      | Hexagon head cap screw |
| 11  | 507 104 0                  | 2              | SKM12                       | Sperrkantscheibe  | Locking disc           |
| 12  | 5216 000 0                 | 2              | M12x22                      | Ensat             | Ensat                  |





| Europe        |              | T                | F                 | E                        |
|---------------|--------------|------------------|-------------------|--------------------------|
| Austria       | Steyregg     | +43 732 641111-0 | +43 732 641111-33 | office@stahlcranes.at    |
| France        | Paris        | +33 1 39985060   | +33 1 34111818    | info@stahlcranes.fr      |
| Great Britain | Birmingham   | +44 121 7676414  | +44 121 7676490   | info@stahlcranes.co.uk   |
| Italy         | S. Colombano | +39 0185 358391  | +39 0185 358219   | info@stahlcranes.it      |
| Netherlands   | EL Haarlem   | +31 23 51252-20  | +31 23 51252-23   | info@stahlcranes.nl      |
| Portugal      | Lissabon     | +351 21 44471-61 | +351 21 44471-69  | ferrometal@ferrometal.pt |
| Spain         | Madrid       | +34 91 484-0865  | +34 91 490-5143   | info@stahlcranes.es      |
| Switzerland   | Däniken      | +41 62 82513-80  | +41 62 82513-81   | info@stahlcranes.ch      |

| America/Asia |                | T                | F                | E                         |
|--------------|----------------|------------------|------------------|---------------------------|
| China        | Shanghai       | +86 21 6257 2211 | +86 21 6254 1907 | victor.low@stahlcranes.cn |
| India        | Chennai        | +91 44 4352-3955 | +91 44 4352-3957 | anand@stahlcranes.in      |
| Singapore    | Singapore      | +65 6271 2220    | +65 6377 1555    | sales@stahlcranes.sg      |
| U.A.E.       | Dubai          | +971 4 805-3700  | +971 4 805-3701  | info@stahlcranes.ae       |
| USA          | Charleston, SC | +1 843 767-1951  | +1 843 767-4366  | sales@stahlcranes.us      |

Россия ООО "КранШталь" 109451, г.Москва, ул. Верхние поля, д.28  
тел./факс: +7 495 2253788 +7 495 9214517 info@stahlcranes.ru

→ [www.kranstahl.ru](http://www.kranstahl.ru) → [www.servis-kran.ru](http://www.servis-kran.ru)  
→ [www.tali-market.ru](http://www.tali-market.ru) → [www.stahlcranes.ru](http://www.stahlcranes.ru)

**КранШталь**  
Крановые Системы

Partner of

**STAHL**  
CraneSystems