



TISCHBOHRMASCHINE PTBMOD 710 B2 **BENCH PILLAR DRILL PTBMOD 710 B2** **PERCEUSE À COLONNE PTBMOD 710 B2**

(GB) (IE)

BENCH PILLAR DRILL

Operating and Safety Instructions
Translation of Original Operating Manual

(FR) (BE)

PERCEUSE À COLONNE

Consignes d'utilisation et de sécurité
Traduction des instructions d'origine

(CZ)

STOLNÍ VRTAČKA

Pokyny pro obsluhu a bezpečnostní pokyny
Překlad originálního provozního návodu

(SK)

STOLOVÁ VRTAČKA

Pokyny pre obsluhu a bezpečnostné pokyny
Překlad originálneho návodu na obsluhu

(DK)

SØJLEBREMASKINE

Drifts- og sikkerhedsinstruktioner
Oversættelse af den originale driftsvejledning

(DE) (AT) (CH)

TISCHBOHRMASCHINE

Bedienungs- und Sicherheitshinweise
Originalbetriebsanleitung

(NL) (BE)

TAFELBOORMACHINE

Bedienings- en veiligheidsinstructies
Vertaling van de originele handleiding

(PL)

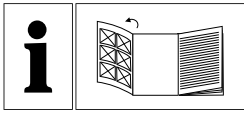
WIERTARKA STOŁOWA

Wskazówki dotyczące obsługi i bezpieczeństwa
Tłumaczenie oryginalnej instrukcji obsługi

(ES)

TALADRO DE COLUMNA

Instrucciones de utilización y de seguridad
Traducción del manual de instrucciones original



GB IE

Before reading, unfold the page containing the illustrations and familiarise yourself with all functions of the device.

DE AT CH

Klappen Sie vor dem Lesen die Seite mit den Abbildungen aus und machen Sie sich anschließend mit allen Funktionen des Gerätes vertraut.

FR BE

Avant de lire le mode d'emploi, ouvrez la page contenant les illustrations et familiarisez-vous ensuite avec toutes les fonctions de l'appareil.

NL BE

Vouw vóór het lezen de pagina met de afbeeldingen open en maak u vertrouwd met alle functies van het apparaat.

CZ

Před čtením si otevřete stranu s obrázky a potom se seznamte se všemi funkcemi přístroje.

PL

Przed przeczytaniem proszę rozłożyć stronę z ilustracjami, a następnie proszę zapoznać się z wszystkimi funkcjami urządzenia.

SK

Pred čítaním si odklopte stranu s obrázkami a potom sa oboznámte so všetkými funkciami prístroja.

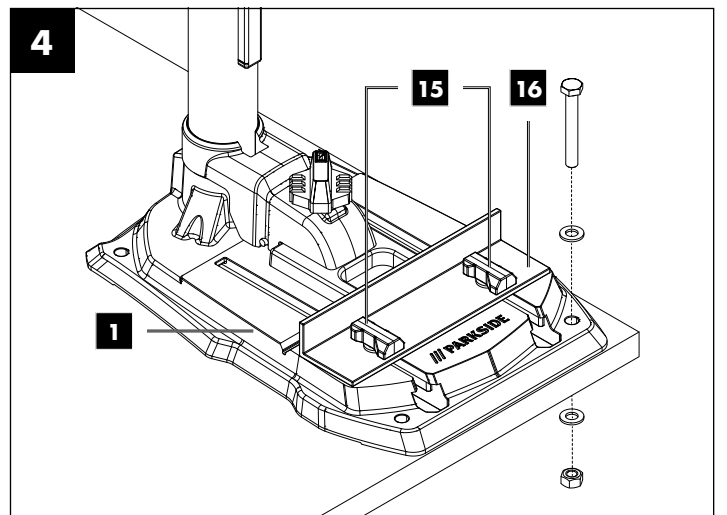
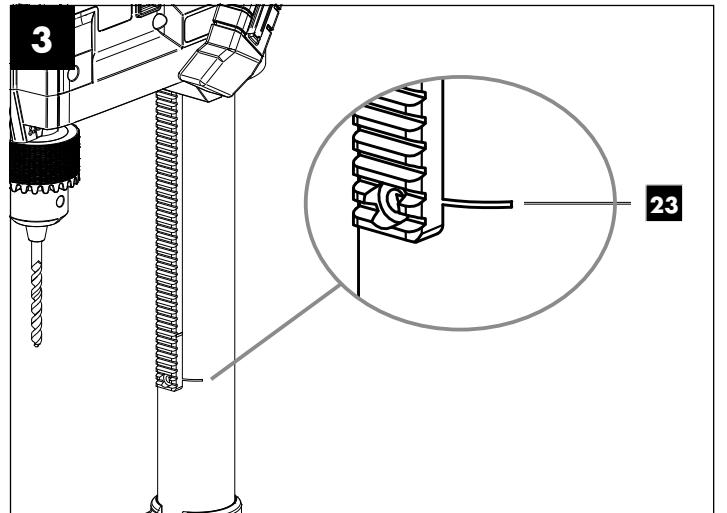
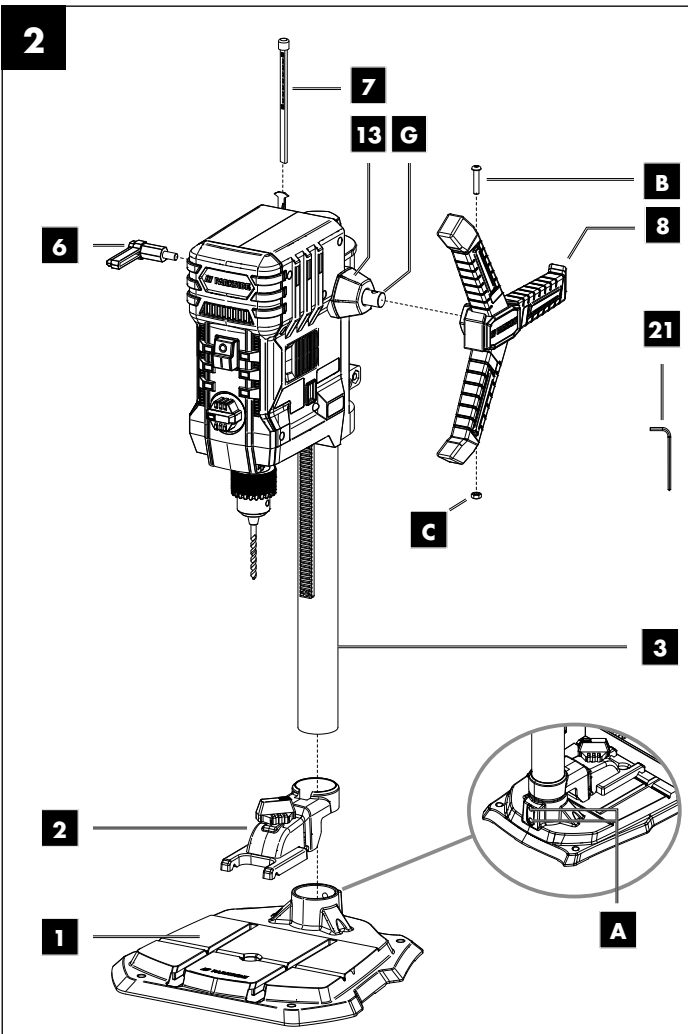
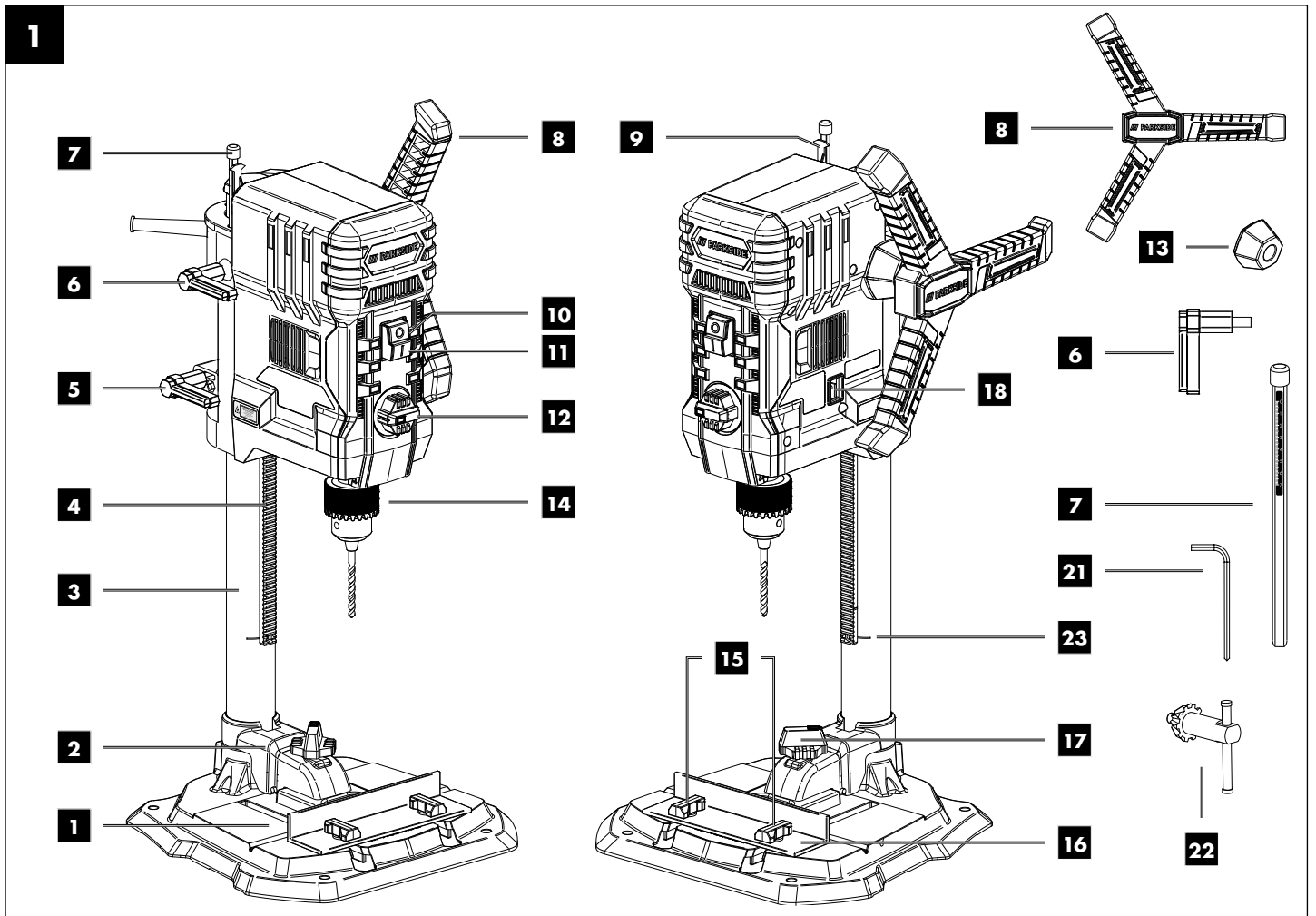
ES

Antes de empezar a leer abra la página que contiene las imágenes y, en seguida, familiarícese con todas las funciones del dispositivo.

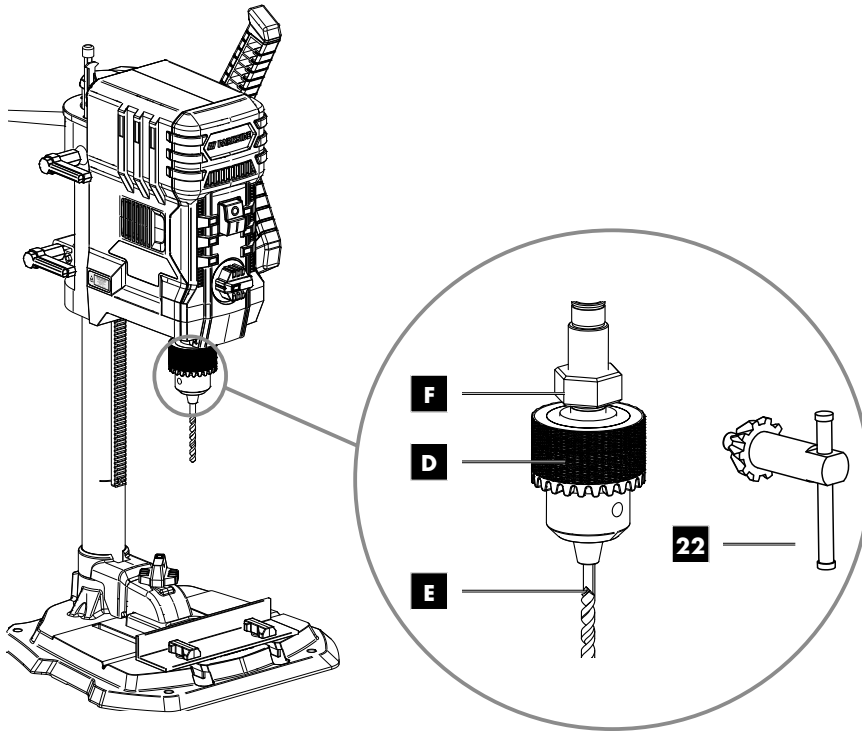
DK

Før du læser, vend siden med billeder frem og bliv bekendt med alle apparatets funktioner.

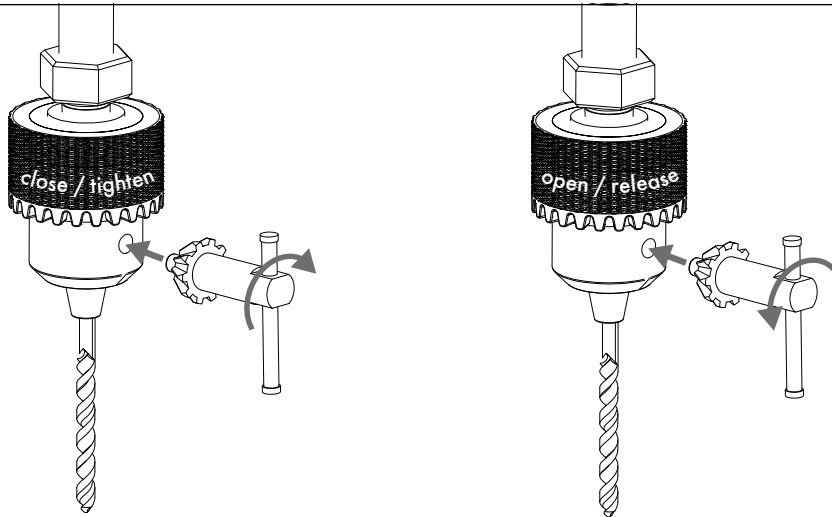
GB / IE	Operating and Safety Instructions	Page	01
DE / AT / CH	Bedienungs- und Sicherheitshinweise	Seite	11
FR / BE	Consignes d'utilisation et de sécurité	Page	22
NL / BE	Bedienings- en veiligheidsinstructies	Pagina	33
CZ	Pokyny pro obsluhu a bezpečnostní pokyny	Strana	44
PL	Wskazówki dotyczące obsługi i bezpieczeństwa	Strona	54
SK	Pokyny pre obsluhu a bezpečnostné pokyny	Strana	65
ES	Instrucciones de utilización y de seguridad	Página	76
DK	Drifts- og sikkerhedsinstruktioner	Side	87



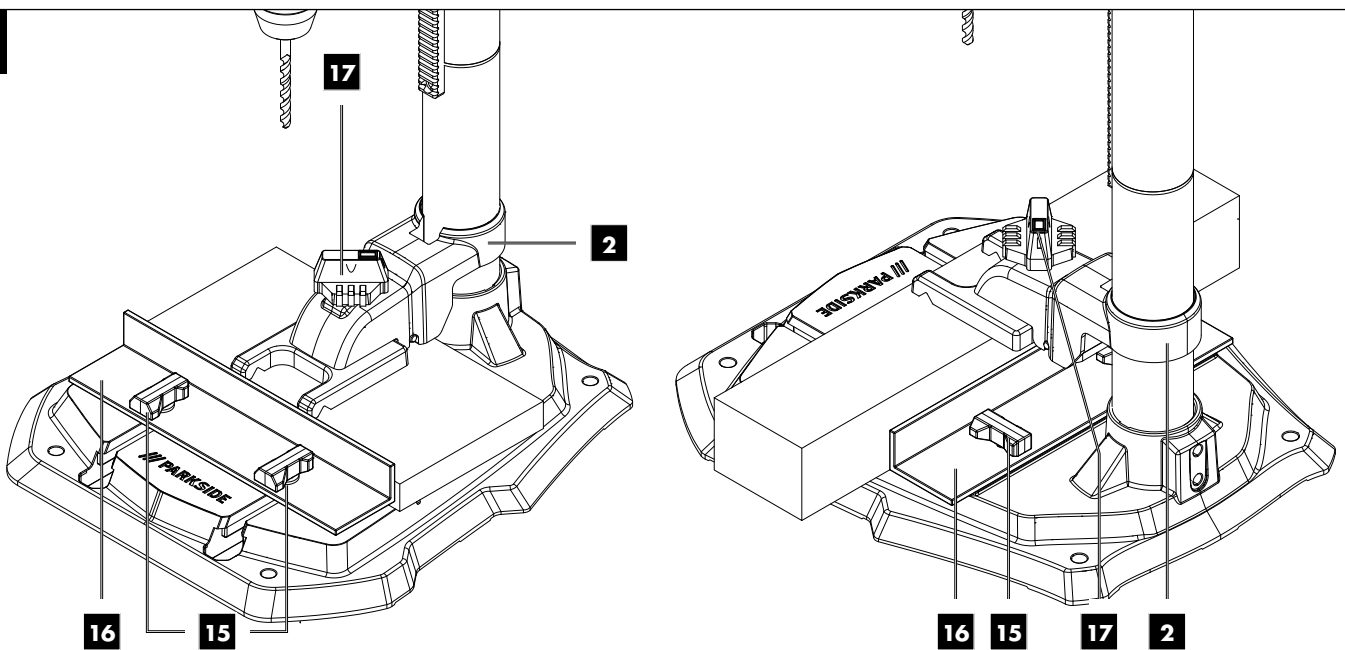
5



6



7



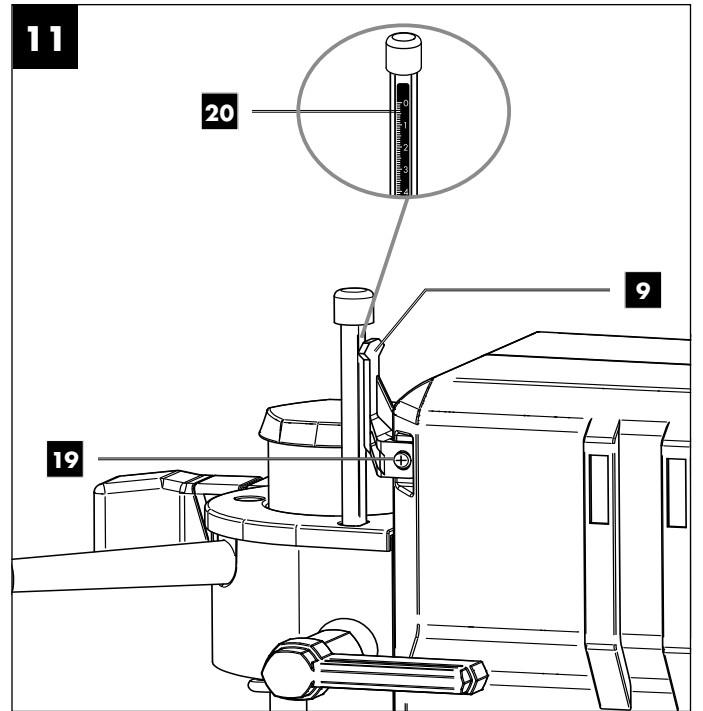
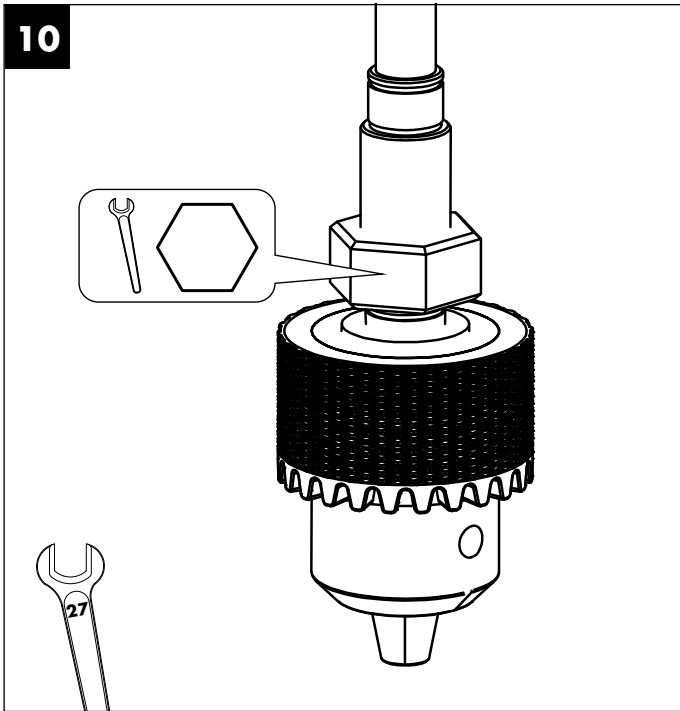
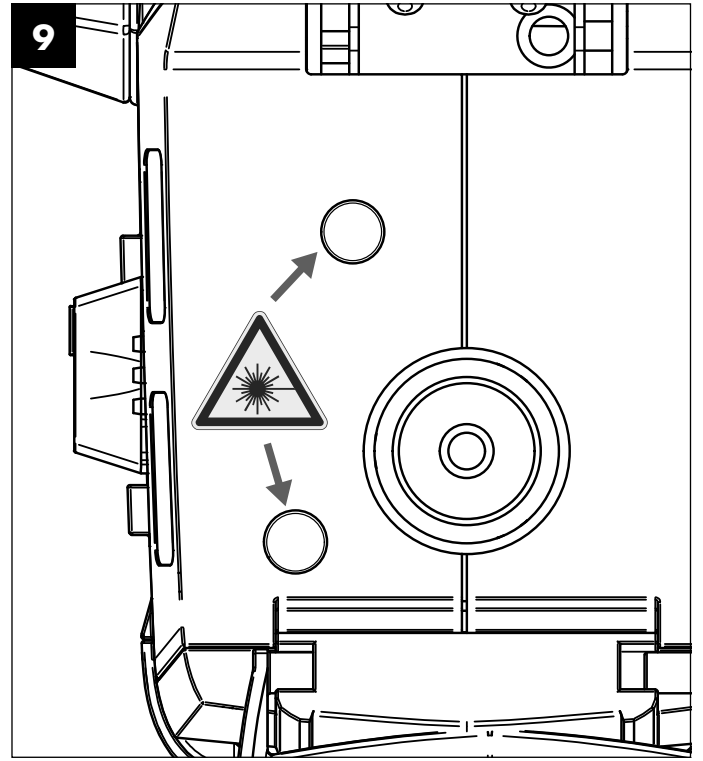
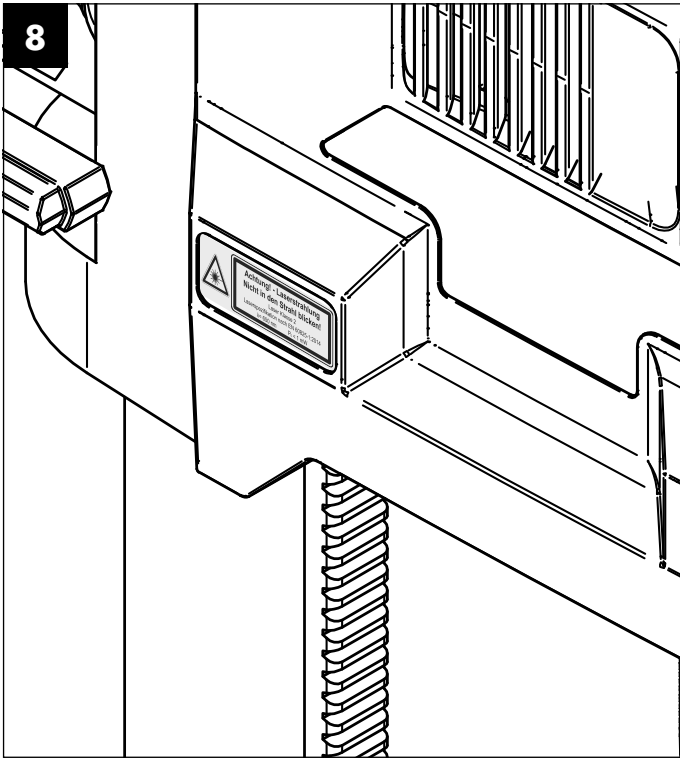


Table of contents:	Page:
1. Explanation of the symbols on the device	2
2. Introduction.....	3
3. Device description (fig. 1-11).....	3
4. Scope of delivery	3
5. Proper use.....	3
6. Safety instructions.....	4
7. Technical data	6
8. Before commissioning	6
9. Assembly.....	6
10. Operation	7
11. Transport.....	8
12. Cleaning and maintenance	8
13. Storage	8
14. Electrical connection	8
15. Disposal and recycling	9
16. Troubleshooting.....	9
17. Warranty certificate	10
18. Declaration of conformity	99

1. Explanation of the symbols on the device

	<p>GB IE</p>	<p>Warning! Non-adherence poses a risk of death, danger of injury or the risk of damage to the tool!</p>
	<p>GB IE</p>	<p>Before commissioning, read and observe the operating manual and safety instructions!</p>
	<p>GB IE</p>	<p>Wear safety goggles!</p>
	<p>GB IE</p>	<p>Wear hearing protection!</p>
	<p>GB IE</p>	<p>If dust builds up, wear respiratory protection!</p>
	<p>GB IE</p>	<p>Do not leave long hair loose. Use a hair net.</p>
	<p>GB IE</p>	<p>Do not wear gloves.</p>
	<p>GB IE</p>	<p>Protection class II (double shielded)</p>
 <p>Achtung! - Laserstrahlung Nicht in den Strahl blicken! Laser Klasse 2 Laserspezifikation nach EN 60825-1:2014 λ = 650 nm P_e < 1 mW</p>	<p>GB IE</p>	<p>Attention! Laser beam</p>
		<p>fig. 8, 9</p>

2. Introduction

MANUFACTURER:

scheppach

Fabrikation von Holzbearbeitungsmaschinen GmbH
Günzburger Straße 69
D-89335 Ichenhausen

DEAR CUSTOMER,

We hope your new tool brings you much enjoyment and success.

NOTE:

In accordance with the applicable product liability laws, the manufacturer of this device assumes no liability for damage to the device or caused by the device arising from:

- Improper handling
- Failure to comply with the operating instructions.
- Repairs carried out by third parties, unauthorised specialists.
- Installing and replacing non-original spare parts,
- Improper use
- Failures of the electrical system in the event of the electrical regulations and VDE provisions 0100, DIN 57113 / VDE0113 not being observed.

Note:

Read the whole text of the operating manual before assembly and commissioning.

This operating manual should help you to familiarise yourself with your device and to use it for its intended purpose.

The operating manual includes important instructions for safe, proper and economic operation of the device, for avoiding danger, for minimising repair costs and downtimes, and for increasing the reliability and extending the service life of the device.

In addition to the safety instructions in this operating manual, you must also observe the regulations applicable to the operation of the device in your country.

Keep the operating manual at the device, in a plastic sleeve, protected from dirt and moisture. They must be read and carefully observed by all operating personnel before starting the work.

The device may only be used by personnel who have been trained to use it and who have been instructed with respect to the associated hazards. The required minimum age must be observed.

In addition to the safety instructions in this operating manual and the separate regulations of your country, the generally recognised technical rules relating to the operation of such machines must also be observed.

We accept no liability for accidents or damage that occur due to a failure to observe this manual and the safety instructions.

3. Device description (fig. 1-11)

1. Base plate
2. Quick clamp
3. Column
4. Toothed rack for height adjustment
5. Clamping lever for height adjustment
6. Clamping lever for depth stop
7. Depth stop
8. Handle
9. Pointer, depth stop
10. Off switch
11. On switch
12. Speed control
13. Spacer
14. Chuck
15. Wing screws for parallel stop
16. Parallel stop
17. Quick-clamp screw
18. Laser ON/OFF switch
19. Phillips screw (pointer)
20. Scale
21. Allen key, 4 mm
22. Chuck key
23. Marking

4. Scope of delivery

- 1 Drilling machine
- 1 Quick clamp (2)
- 1 Base plate (1)
- 1 Parallel stop (16)
- 1 Spacer (13)
- 1 handle (8)
- 1 Depth stop (7)
- 1 Clamping lever (6)
- 1 Allen key, 4 mm (21)
- 1 Chuck key (22)
- 1 Operating manual
- 1 Assembly material

5. Proper use

The bench drill is designed for drilling in metal, wood, plastic and tiles.

Chuck clamping range: 1.5 - 13 mm.

The device is only intended to be used for DIY purposes. It was not designed for continuous commercial use. The device is not intended for use by people under the age of 16. Children under the age of 16 may only use the device when supervised. The manufacturer is not liable for damage caused by improper use or incorrect operation.

Please observe that our equipment was not designed with the intention of use for commercial or industrial purposes. We assume no guarantee if the equipment is used in commercial or industrial applications, or for equivalent work.

6. Safety instructions

General power tool safety warnings

⚠ WARNING! Read all safety warnings, instructions, illustrations and specifications provided with this power tool.

Failure to follow all instructions listed below may result in electric shock, fire and/or serious injury.

Save all warnings and instructions for future reference.

The term "power tool" in the warnings refers to your mains-operated (corded) power tool or battery-operated (cordless) power tool.

Work area safety

- a) **Keep work area clean and well lit.**
Cluttered or dark areas invite accidents.
- b) **Do not operate power tools in explosive atmospheres, such as in the presence of flammable liquids, gases or dust.**
Power tools create sparks which may ignite the dust or fumes.
- c) **Keep children and bystanders away while operating a power tool.**
Distractions can cause you to lose control.

Electrical safety

- a) **Power tool plugs must match the outlet.**
Never modify the plug in any way. Do not use any adapter plugs with earthed (grounded) power tools. Unmodified plugs and matching outlets will reduce risk of electric shock.
- b) **Avoid body contact with earthed or grounded surfaces, such as pipes, radiators, ranges and refrigerators. There is an increased risk of electric shock if your body is earthed or grounded.**
- c) **Do not expose power tools to rain or wet conditions.**
Water entering a power tool will increase the risk of electric shock.
- b) **Do not abuse the cord. Never use the cord for carrying, pulling or unplugging the power tool.**
Keep cord away from heat, oil, sharp edges or moving parts. Damaged or entangled cords increase the risk of electric shock.
- e) **When operating a power tool outdoors, use an extension cord suitable for outdoor use.**
Use of a cord suitable for outdoor use reduces the risk of electric shock.
- f) **If operating a power tool in a damp location is unavoidable, use a residual current device (RCD) protected supply.**
Use of an RCD reduces the risk of electric shock.

Personal safety

- a) **Stay alert, watch what you are doing and use common sense when operating a power tool. Do not use a power tool while you are tired or under the influence of drugs, alcohol or medication.**
A moment of inattention while operating power tools may result in serious personal injury.
- b) **Use personal protective equipment. Always wear eye protection.**
Protective equipment such as a dust mask, non-skid safety shoes, hard hat or hearing protection used for appropriate conditions will reduce personal injuries.
- c) **Prevent unintentional starting. Ensure the switch is in the off-position before connecting to power source and/or battery pack, picking up or carrying the tool.**
Carrying power tools with your finger on the switch or energising power tools that have the switch on invites accidents.
- d) **Remove any adjusting key or wrench before turning the power tool on.**
A wrench or a key left attached to a rotating part of the power tool may result in personal injury.
- e) **Do not overreach. Keep proper footing and balance at all times.**
This enables better control of the power tool in unexpected situations.
- f) **Dress properly. Do not wear loose clothing or jewellery. Keep your hair and clothing away from moving parts.** Loose clothes, jewellery or long hair can be caught in moving parts.
- g) **If devices are provided for the connection of dust extraction and collection facilities, ensure these are connected and properly used.**
Use of dust collection can reduce dust-related hazards.
- h) **Do not let familiarity gained from frequent use of tools allow you to become complacent and ignore tool safety principles.** A careless action can cause severe injury within a fraction of a second.

Power tool use and care

- a) **Do not force the power tool. Use the correct power tool for your application.**
The correct power tool will do the job better and safer at the rate for which it was designed.
- b) **Do not use the power tool if the switch does not turn it on and off. Any power tool that cannot be controlled with the switch is dangerous and must be repaired.**
- c) **Disconnect the plug from the power source and/or remove the battery pack, if detachable, from the power tool before making any adjustments, changing accessories, or storing power tools.**
Such preventive safety measures reduce the risk of starting the power tool accidentally.

- d) **Store idle power tools out of the reach of children and do not allow persons unfamiliar with the power tool or these instructions to operate the power tool.**

Power tools are dangerous in the hands of untrained users.

- e) **Maintain power tools and accessories.**
Check for misalignment or binding of moving parts, breakage of parts and any other condition that may affect the power tool's operation. If damaged, have the power tool repaired before use. Many accidents are caused by poorly maintained power tools.
- f) **Keep cutting tools sharp and clean. Properly maintained cutting tools with sharp cutting edges are less likely to bind and are easier to control.**
- g) **Use the power tool, accessories and tool bits etc. in accordance with these instructions, taking into account the working conditions and the work to be performed.**

Use of the power tool for operations different from those intended could result in a hazardous situation.

- h) **Keep handles and grasping surfaces dry, clean and free from oil and grease.** Slippery handles and grasping surfaces do not allow for safe handling and control of the tool in unexpected situations.

Service

- a) **Have your power tool serviced by a qualified repair person using only identical replacement parts.** This will ensure that the safety of the power tool is maintained.

Drill safety warnings

- a) **The drill must be secured.** An incorrectly secured drill can move or topple and this can result in injuries.
- b) **The workpiece must be clamped or fastened to the workpiece support. Do not drill into workpieces that are too small to be securely clamped.** Holding the workpiece by hand can lead to injuries.
- c) **Do not wear gloves.** Gloves can be caught by rotating parts or drilling debris and thus cause injuries.
- d) **Keep your hands away from the drilling area whilst the electrical tool is running.** Contact with rotating parts or drilling debris can cause injuries.
- e) **The drill must be turning before it makes contact with the workpiece.** Otherwise, the drill bit can catch in the workpiece and this can result in an unexpected movement of the workpiece and cause injuries.
- f) **If the drill becomes jammed, stop pressing downwards and switch the electrical tool off. Investigate and rectify the cause of the jamming.** Jamming can result in an unexpected movement of the workpiece and can result in serious injuries.
- g) **Avoid long pieces of drill swarf by interrupting the downward pressure at regular intervals.** Sharp metal swarf can become tangled and lead to injuries.

- h) **Never remove drilling debris from the drilling area whilst the electrical tool is running. To remove swarf, move the drill away from the workpiece, switch off the electrical tool and wait until the drill has come to a standstill. Use an aid such as a brush or a hook to remove the swarf.** Contact with rotating parts or drilling debris can cause injuries.
- i) **The permissible rotational speed for drill bits with a rated speed must be at least as high as the highest speed cited on the electrical tool.** Accessories that rotate faster than permitted can break and fly off at high speed.



Attention: Laser radiation
Do not look into the beam
Laser class 2



Protect yourself and your environment from accidents using suitable precautionary measures

- Do not look directly into the laser beam with unprotected eyes.
- Never look into the path of the beam.
- Never point the laser beam towards reflecting surfaces and persons or animals. Even a laser beam with a low output can cause damage to the eyes.
- Caution - methods other than those specified here can result in dangerous radiation exposure.
- Never open the laser module. Unexpected exposure to the beam can occur.
- The laser may not be replaced with a different type of laser.
- Repairs of the laser may only be carried out by the laser manufacturer or an authorised representative.
- Labelling and placement of warning stickers, see fig. 8 and 9.


⚠ WARNING! This electric tool generates an electromagnetic field during operation. This field can impair active or passive medical implants under certain conditions. In order to prevent the risk of serious or deadly injuries, we recommend that persons with medical implants consult with their physician and the manufacturer of the medical implant prior to operating the electric tool.

Residual risks

Even when this electric tool is operated properly, residual risks still remain. The following hazards may arise in connection with the design and construction of this electric tool:

- Lung damage if suitable dust protection mask is not worn.
- Hearing damage if suitable hearing protection is not worn.
- Damage to health resulting from hand/arm vibration if the device is used over an extended period of time or if it is not properly operated and maintained.

7. Technical data

AC motor.....	220 - 240 V~ 50 Hz
Nominal power S1	710 Watt
Operating mode.....	S2 5min* 900W
Idle speed n_0	500 - 2600 min ⁻¹
Drill chuck clamping range.....	1.5 - 13 mm.
Max. drill stroke.....	70 mm
Size of base plate	320 x 305 mm
Distance chuck to bottom plate	280 mm
Weight approx.	8,3 kg
Protection class	II / 
Laser class.....	2
Laser wavelength.....	650 nm
Laser power	< 1 mW

* After an uninterrupted operating period of 5 minutes, the device should be allowed to rest until its temperature has dropped to within 2 K (2° C) of room temperature.

The workpiece must have a minimum height of 3 mm and a minimum width of 45 mm.

Make sure that the workpiece is always secured with the clamping device.

Overhanging workpieces may have to be supported laterally by additional supports.

Noise

The noise levels have been determined in accordance with EN 62841.

Sound pressure level L_{pA}	89,6 dB(A)
Uncertainty K_{pA}	3 dB
Sound power level L_{WA}	102,6 dB(A)
Uncertainty K_{WA}	3 dB

Wear hearing protection.

Excessive noise can result in a loss of hearing.

The above-mentioned noise emission values were measured in accordance with a standardised test procedure and can be used to compare one power tool with another.

The specified device emissions values can also be used for an initial estimation of the load.

Warning:

- The noise emission values can vary from the specified values during the actual use of the electric tool, depending on the type and the manner in which the electric tool is used, and in particular the type of workpiece being processed.
- Try to keep the stress as low as possible. For example: Limit working time. In doing so, all parts of the operating cycle must be taken into account (such as times in which the electric tool is switched off or times in which it is switched on, but is not running under a load).

8. Before commissioning

- Open the packaging and carefully remove the device.
- Remove the packaging material as well as the packaging and transport bracing (if available).
- Check whether the scope of delivery is complete.
- Check the device and accessory parts for transport damage.

- If possible, keep the packaging until the expiry of the warranty period.

ATTENTION

The device and the packaging are not children's toys! Do not let children play with plastic bags, films or small parts! There is a danger of choking or suffocating!


Before connecting the machine, make certain that the data on the type plate matches with the mains power data.


- Check the device for transport damage. Immediately report any damage to the transport company that delivered the electrical tool.
- Long supply cables (extension cable) should be avoided.
- Do not operate the electrical tool in damp or wet areas.
- Operate the electrical tool only in suitable areas (well ventilated).

9. Assembly

Attention!

Always make sure the device is fully assembled before commissioning!

 Before connecting the machine to the mains power, make certain that the data on the type plate matches with the mains power data.

 **Warning!** Always pull out the mains plug before carrying out adjustments on the device.

9.1 Assembling the base plate and column (fig. 2)

1. Slide the quick clamp (2) over the column (3).
2. Set the column (3) into the base plate (1) such that the guide pins on the bottom end of the column (3) engage with the groove in the mount on the base plate (1).
3. Tighten the pre-assembled fastening screws (A) on the rear of the base plate (1) with the Allen key (21).

9.2 Fitting the parallel stop (fig. 4)

1. Slide the parallel stop (16) into the grooves in the base plate (1).
2. Ensure that the sliding blocks underneath the wing screws of the parallel stop (15) are properly engaged in the grooves of the base plate.
3. Move the parallel stop (16) to the desired position and tighten the wing screws of the parallel stop (15) firmly.

9.3 Assembling the handle (fig. 2)

1. Remove the pre-assembled fastening screw (B).
2. Ensure that the spacer (13) is seated correctly.
3. Slide the handle (8) onto the retainer (G) as shown in fig. 2.
4. Place the nut (C) in the recess in the handle (8) and tighten the fixing screw (B).

9.4 Fitting the depth stop (fig. 2)

1. Insert the depth stop (7) from above into the recess in the housing.
2. Assemble the clamping lever for depth stop (6) as shown in fig. 2.

9.5 Fastening to a work surface (fig. 4)

Fasten the device to the work surface by bolting the base plate (1) to the work surface.

10. Operation

10.1 Height adjustment (fig. 2, 3)

The position of the machine head can be adjusted to suit the workpiece height or the workpiece length.

1. Hold the handle (8) firmly.
2. Release the clamping lever for the height adjustment (5).
3. Set the position of the machine head with the handle (8).
4. Secure the position of the machine head with the height adjustment clamping lever (5).

Attention! In the lowest position of the machine head make sure that it does not move beyond the marking (23).

Use the clamping lever for height adjustment (5) to secure the machine head in this position. Otherwise, the guide could be damaged.

10.2 Setting the drilling depth (fig. 1, 11)

The drilling depth can be set with the depth stop (7).

1. Release the clamping lever on the depth stop (6).
2. Carry out a test drilling. Once the desired depth is reached, tighten the depth stop clamping lever (6) again.
3. The depth stop (7) is now locked in the desired drilling depth.
4. Then check the position of the depth stop. If the indicated dimension does not correspond to the actual drilling depth, the pointer (9) can be readjusted.
 - Loosen the Phillips screw (19) on the pointer (9).
 - Set the pointer (9) to the correct position to the scale (20).
 - Re-tighten the Phillips screw (19).

10.3 Clamping/releasing tools (fig. 5, 6)

Caution! Do not leave the chuck key in the clamp hole. Doing so will cause the chuck key to be catapulted out, which could cause injury.

10.3.1 Clamping

1. Insert the chuck key (22).
2. Turn the chuck key (22) counterclockwise to open the clamping sleeve (D).
3. Insert the insert tool (E).
4. Hold the insert tool (E) in place.
5. Turn the chuck key (22) clockwise to close the clamping sleeve (D) and to secure the insert tool.
6. Check that the insert tool (E) is tight.
7. Pull out the chuck key (22).

10.3.2 Releasing

1. Insert the chuck key (22).
2. Turn the chuck key (22) counterclockwise until the drill bit (E) can be removed.
3. Pull out the chuck key (22).

10.4 Aligning workpieces (fig. 1)

1. Switch on the laser cross using the On/off switch laser (18).
2. The intersection of the two laser lines exactly indicates the centre point of the drill.
3. Align your marking on the workpiece with the laser cross.

10.5 Clamping the workpiece (fig. 7)

It must be possible to clamp the workpiece securely. Do not work with workpieces that cannot be clamped securely.

The cut-out of the quick clamp must be centrally aligned with the hole to be drilled. Otherwise, the drill bit or the chuck could be obstructed by the quick clamp.

1. Position the workpiece with the help of the laser cross.
2. Loosen the quick clamp screw (17).
3. Place the quick clamp (2) on the workpiece.
4. Turn the quick clamp screw (17) clockwise to clamp the workpiece.
5. Turn the quick clamp screw (17) anticlockwise to loosen the quick clamp (2).

10.6 Clamping larger workpieces (fig. 7)

Use the parallel stop (16) for larger workpieces:

1. Loosen the wing screws for the parallel stop (15) and insert the parallel stop (16) into the grooves of the base plate.
2. Tighten the wing screws for the parallel stop (15).
3. Align your workpiece against the parallel stop (16) and clamp it with the quick clamp (2).

Warning! With workpieces that are wider or longer than the tabletop, ensure that these are adequately supported, e.g. through trestles or saw horses.

Workpieces that are longer or wider than the base plate of the tabletop drill can tip if they are not properly supported. If the workpiece tips, this can damage the chuck guard or the cutting tool.

10.7 Setting the drilling speed (fig. 1)

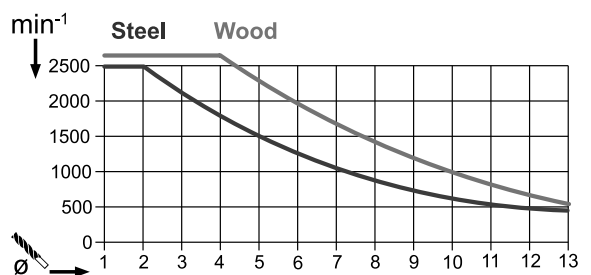
The correct speed must be set to suit the workpiece to be drilled and the tool diameter.

10.7.1 Electronic speed control

Use the electronic speed control to steplessly set the speed:

Set the speed with the help of the speed control (12).

The current speed can be seen using the mark on the speed control (12).



10.8 Switching on/off (fig. 1)

Switching on: Press the on switch (11) to switch the device on.

Switching off: Press the off switch (10) to switch the device off.

10.9 Drilling procedure (fig. 1, 7)

1. Align the workpiece and clamp it.
2. Start the device and set the speed.

3. For drilling, move the handle (8) with uniform feed until the desired drilling depth is reached. When drilling into metal, interrupt the downward pressure briefly to break the swarf.
4. After reaching the drilling depth, return the handle (8) to the starting position.
5. Switch the device off.

11. Transport

⚠ Warning! Unplug the mains plug prior to transport!

- To transport the device hold it by the base plate (1).

12. Cleaning and maintenance

⚠ Warning! Pull out the mains plug before carrying out any adjustments, maintenance or repair work!

12.1 General maintenance tasks

⚠ Have tasks that are not described in this operating manual performed by a specialist workshop. Use only original parts. Let the device cool down before all maintenance and cleaning tasks.

⚠ There is a risk of burn!

Before using the device each time, check the device for obvious defects such as worn or damaged parts, correct seating of screws or other parts. Replace damaged parts.

12.2 Cleaning

Do not use cleaning agents or solvents. Chemical substances could damage the plastic parts of the device. Never clean the device under running water.

- Clean the device thoroughly after each use.
- Clean the ventilation holes and the surface of the device with a soft brush or cloth.
- Remove swarf, dust and dirt with a vacuum cleaner if necessary.
- Lubricate the moving parts regularly.

12.3 Maintenance

The device has no parts that require maintenance.

12.4 Replacing the chuck (fig. 1, 5, 10)

⚠ Warning! Pull out the mains plug!

Tools required (not included in the scope of delivery):

1x open-ended wrench 27 mm

- Remove the insert tool as described in 10.3.2.
- Tighten the clamping sleeve (D) firmly by turning the chuck key (22) clockwise.
- Hold the chuck (14) with one hand while using the open-ended wrench (27 mm) to lower the nut (F) clockwise.
- Once the chuck (14) is loosened from the shaft seat, it can be removed.
- Fasten the new chuck in reverse order.

When replacing the chuck, use only chucks approved by the manufacturer.

Order number: 390 6814 001

12.5 Service information

With this product, it is necessary to note that the following parts are subject to natural or usage-related wear, or that the following parts are required as consumables.

Wear parts*: Carbon brushes, drill bit

* may not be included in the scope of supply!

13. Storage

Store the device and its accessories in a dark, dry and frost-free place that is inaccessible to children. The optimum storage temperature lies between 5 and 30 °C.

Store the electric tool in its original packaging.

Cover the electric tool to protect it from dust or moisture.

Store the operating manual with the electric tool.

14. Electrical connection

The electrical motor installed is connected and ready for operation. The connection complies with the applicable VDE and DIN provisions. The customer's mains connection as well as the extension cable used must also comply with these regulations.

14.1 Important information

In the event of overloading, the motor will switch itself off. After a cool-down period (time varies) the motor can be switched back on again.

14.2 Faulty power supply cables

The insulation on electrical connection cables is often damaged.

This may have the following causes:

- Pressure points, where connection cables are passed through windows or doors.
- Kinks where the connection cable has been improperly fastened or routed.
- Places where the connection cables have been cut due to being driven over.
- Insulation damage due to being ripped out of the wall outlet.
- Cracks due to the insulation ageing.

Such damaged electrical connection cables must not be used and are life-threatening due to the insulation damage.

Check the electrical connection cables for damage regularly. Ensure that the connection cables are disconnected from electrical power when checking for damage.

Electrical connection cables must comply with the applicable VDE and DIN provisions. Only use connection cables with the marking H05VV-F.

The printing of the type designation on the connection cable is mandatory.

If it is necessary to replace the connection cable, this must be done by the manufacturer or their representative to avoid safety hazards.

14.3 AC motor

The mains voltage must be 220 - 240 V~ 50Hz.

- Extension cables up to 25 m long must have a cross-section of 1.5 mm².

Connections and repair work on the electrical equipment may only be carried out by electricians.

Please provide the following information in the event of any enquiries:

- Type of current for the motor
- Engine data - type plate

15. Disposal and recycling

The device is supplied in packaging to avoid transport damages. This packaging is raw material and can thus be used again or can be reintegrated into the raw material cycle.

The device and its accessories are made of different materials, such as metals and plastics. Take defective components to special waste disposal sites. Check with your specialist dealer or municipal administration!



The packaging is wholly composed of environmentally-friendly materials that can be disposed of at a local recycling centre.

Contact your local refuse disposal authority for more details of how to dispose of your worn-out electrical devices.

16. Troubleshooting

Fault	Possible cause	Remedy
Device does not start	Motor, cable or plug defective, building circuit breaker tripped	Check power outlet, mains connection cable, mains plug. Have repair carried out by electrical specialist. Check building circuit breakers.
	On/off switch (11/10) defective	Repair by customer service department
	Motor defective	Repair by customer service department
Heavy vibrations	Base plate (1) not fastened in place.	Secure machine to a work bench or similar
	Drill bit not clamped centrally	Check drill bit in chuck (14)
Motor overheats easily	Overloading of the motor, insufficient cooling of the motor.	Avoid overloading the motor while drilling, remove dust from the motor in order to ensure optimal cooling of the motor.
Motor makes excessive noise	Coils damaged, motor defective.	Have checked by customer service department

Do not throw old equipment away with household waste!



This symbol indicates that this product must not be disposed of in household waste as per Waste Electrical and Electronic Equipment directive (2012/19/EU) and national laws. This product must be handed over at the intended collection point. This can be done, for example, by returning it when purchasing a similar product or delivering it to an authorised collection point for the recycling of old electrical and electronic devices. Improper handling of old devices can have negative effects on the environment and on human health due to potential hazardous materials which are often contained in old electrical and electronic devices. By disposing of this product properly, you are also contributing to the effective use of natural resources. Information about collection points for old devices can be found at your municipal authority, the local disposal provider, an authorised location for the disposal of old electrical and electronic devices or your waste collection service.

17. Warranty certificate

Dear Customer,

All of our products undergo strict quality checks to ensure that they reach you in perfect condition. In the unlikely event that your device develops a fault, please contact our service department at the address shown on this guarantee card. Of course, if you would prefer to call us then we are also happy to offer our assistance under the service number printed below. Please note the following terms under which guarantee claims can be made:

- These guarantee terms cover additional guarantee rights and do not affect your statutory warranty rights. We do not charge you for this guarantee.
- Our guarantee only covers problems caused by material or manufacturing defects, and it is restricted to the rectification of these defects or replacement of the device. Please note that our devices have not been designed for use in commercial, trade or industrial applications. Consequently, the guarantee is invalidated if the equipment is used in commercial, trade or industrial applications or for other equivalent activities. The following are also excluded from our guarantee: compensation for transport damage, damage caused by failure to comply with the installation/assembly instructions or damage caused by unprofessional installation, failure to comply with the operating instructions (e.g. connection to the wrong mains voltage or current type), misuse or inappropriate use (such as overloading of the device or use of non-approved tools or accessories), failure to comply with the maintenance and safety regulations, ingress of foreign bodies into the device (e.g. sand, stones or dust), effects of force or external influences (e.g. damage caused by the device being dropped) and normal wear resulting from proper operation of the device.

The guarantee is rendered null and void if any attempt is made to tamper with the device.

- The guarantee is valid for a period of 3 years starting from the purchase date of the device. Guarantee claims should be submitted before the end of the guarantee period within two weeks of the defect being noticed. No guarantee claims will be accepted after the end of the guarantee period. The original guarantee period remains applicable to the device even if repairs are carried out or parts are replaced. In such cases, the work performed or parts fitted will not result in an extension of the guarantee period, and no new guarantee will become active for the work performed or parts fitted. This also applies when an on-site service is used.
- In order to assert your guarantee claim, please contact the service partner shown below. If the complaint is within the guarantee period, we will provide you with a return slip, with which you can return your defective device free of charge to us. It would help us if you could describe the nature of the problem in as much detail as possible. If the defect is covered by our guarantee then your device will either be repaired immediately and returned to you, or we will send you a new device.

Of course, we are also happy offer a chargeable repair service for any defects which are not covered by the scope of this guarantee or for units which are no longer covered. To take advantage of this service, please send the device to our service address.

Service-Hotline (GB/IE):

+800 4003 4003
(0,00 EUR/Min.)

Service-Email (GB):

service.GB@schepach.com

Service-Email (IE):

service.IE@schepach.com

Service Address (GB/IE):

Forest Park & Garden
Coed Court, Taffsmead Road
Treforest, Ind. Estate, Pontypridd CF375SW



At www.lidl-service.com you can download this and many more manuals, product videos plus installation software.

The QR code takes you directly to the Lidl service page (www.lidl-service.com) and you can open your operating manual by entering the article number (IAN) 361816_2010.

Inhalt:	Seite:
1. Erklärung der Symbole auf dem Gerät.....	12
2. Einleitung	13
3. Gerätebeschreibung (Abb. 1-11).....	13
4. Lieferumfang.....	13
5. Bestimmungsgemäße Verwendung.....	13
6. Sicherheitshinweise	14
7. Technische Daten	16
8. Vor Inbetriebnahme	16
9. Montage.....	17
10. Bedienung.....	17
11. Transport.....	18
12. Reinigung und Wartung	18
13. Lagerung.....	19
14. Elektrischer Anschluss.....	19
15. Entsorgung und Wiederverwertung.....	19
16. Störungsabhilfe	20
17. Garantiekunde	21
18. Konformitätserklärung.....	99

1. Erklärung der Symbole auf dem Gerät



DE AT CH

Warnung! Bei Nichteinhaltung Lebensgefahr, Verletzungsgefahr oder Beschädigung des Werkzeugs möglich!



DE AT CH

Vor Inbetriebnahme Bedienungsanleitung und Sicherheitshinweise lesen und beachten!



DE AT CH

Schutzbrille tragen!



DE AT CH

Gehörschutz tragen!



DE AT CH

Bei Staubentwicklung Atemschutz tragen!



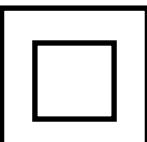
DE AT CH

Lange Haare nicht offen tragen. Benutzen Sie ein Haarnetz.



DE AT CH

Tragen Sie keine Handschuhe.



DE AT CH

Schutzklasse II (Doppelisolierung)



Achtung! - Laserstrahlung
Nicht in den Strahl blicken!
Laser Klasse 2
Laserspezifikation nach EN 60825-1:2014
λ = 650 nm P_e < 1 mW

DE AT CH

Achtung! Laserstrahlung

Abb. 8, 9

2. Einleitung

HERSTELLER:

scheppach

Fabrikation von Holzbearbeitungsmaschinen GmbH
Günzburger Straße 69
D-89335 Ichenhausen

VEREHRTER KUNDE,

Wir wünschen Ihnen viel Freude und Erfolg beim Arbeiten mit Ihrem neuen Gerät.

HINWEIS:

Der Hersteller dieses Gerätes haftet nach dem geltenden Produkthaftungsgesetz nicht für Schäden, die an diesem Gerät oder durch dieses Gerät entstehen bei:

- unsachgemäßer Behandlung,
- Nichtbeachtung der Bedienungsanweisung,
- Reparaturen durch Dritte, nicht autorisierte Fachkräfte,
- Einbau und Austausch von nicht originalen Ersatzteilen,
- nicht bestimmungsgemäßer Verwendung,
- Ausfällen der elektrischen Anlage bei Nichtbeachtung der elektrischen Vorschriften und VDE-Bestimmungen 0100, DIN 57113 / VDE0113.

Beachten Sie:

Lesen Sie vor der Montage und vor Inbetriebnahme den gesamten Text der Bedienungsanleitung durch.

Diese Bedienungsanleitung soll es Ihnen erleichtern, Ihr Gerät kennenzulernen und dessen bestimmungsgemäßen Einsatzmöglichkeiten zu nutzen.

Die Bedienungsanleitung enthält wichtige Hinweise, wie Sie mit dem Gerät sicher, fachgerecht und wirtschaftlich arbeiten, und wie Sie Gefahren vermeiden, Reparaturkosten sparen, Ausfallzeiten verringern und die Zuverlässigkeit und Lebensdauer des Gerätes erhöhen.

Zusätzlich zu den Sicherheitsbestimmungen dieser Bedienungsanleitung müssen Sie unbedingt die für den Betrieb des Gerätes geltenden Vorschriften Ihres Landes beachten.

Bewahren Sie die Bedienungsanleitung, in einer Plastikhülle geschützt vor Schmutz und Feuchtigkeit, bei dem Gerät auf. Sie muss von jeder Bedienungsperson vor Aufnahme der Arbeit gelesen und sorgfältig beachtet werden.

An dem Gerät dürfen nur Personen arbeiten, die im Gebrauch des Gerätes unterwiesen und über die damit verbundenen Gefahren unterrichtet sind. Das geforderte Mindestalter ist einzuhalten.

Neben den in dieser Bedienungsanleitung enthaltenen Sicherheitshinweisen und den besonderen Vorschriften Ihres Landes sind die für den Betrieb von baugleichen Maschinen allgemein anerkannten technischen Regeln zu beachten.

Wir übernehmen keine Haftung für Unfälle oder Schäden, die durch Nichtbeachten dieser Anleitung und den Sicherheitshinweisen entstehen.

3. Gerätebeschreibung (Abb. 1-11)

1. Grundplatte
2. Schnellspanner
3. Säule
4. Zahnstange Höhenverstellung
5. Klemmhebel Höhenverstellung
6. Klemmhebel Tiefenanschlag
7. Tiefenanschlag
8. Handgriff
9. Zeiger Tiefenanschlag
10. Ausschalter
11. Einschalter
12. Drehzahlregler
13. Abstandshalter
14. Bohrfutter
15. Flügelschrauben für den Parallelanschlag
16. Parallelanschlag
17. Schnellspannschraube
18. Ein-/Ausschalter Laser
19. Kreuzschlitzschraube (Zeiger)
20. Skala
21. Innensechskantschlüssel, 4 mm
22. Bohrfutterschlüssel
23. Markierung

4. Lieferumfang

- 1 Bohrmaschine
- 1 Schnellspanner (2)
- 1 Grundplatte (1)
- 1 Parallelanschlag (16)
- 1 Abstandhalter (13)
- 1 Handgriff (8)
- 1 Tiefenanschlag (7)
- 1 Klemmhebel (6)
- 1 Innensechskantschlüssel, 4 mm (21)
- 1 Bohrfutterschlüssel (22)
- 1 Bedienungsanleitung
- 1 Montagematerial

5. Bestimmungsgemäße Verwendung

Die Tischbohrmaschine ist zum Bohren in Metall, Holz, Kunststoff und Fliesen bestimmt.

Bohrfutterspannbereich: 1,5 - 13 mm.

Das Gerät ist für den Einsatz im Heimwerkerbereich bestimmt. Es wurde nicht für den gewerblichen Dauereinsatz konzipiert. Das Gerät ist nicht zum Gebrauch durch Personen unter 16 Jahren bestimmt. Jugendliche über 16 Jahre dürfen das Gerät nur unter Aufsicht benutzen. Der Hersteller haftet nicht für Schäden, die durch bestimmungswidrigen Gebrauch oder falsche Bedienung verursacht wurden.

Bitte beachten Sie, dass unsere Geräte bestimmungsgemäß nicht für den gewerblichen, handwerklichen oder industriellen Einsatz konstruiert wurden. Wir übernehmen keine Gewährleistung, wenn das Gerät in Gewerbe-, Handwerks- oder Industriebetrieben sowie bei gleichzusetzenden Tätigkeiten eingesetzt wird.

6. Sicherheitshinweise

Allgemeine Sicherheitshinweise für Elektrowerkzeuge

⚠ WARNUNG! Lesen Sie alle Sicherheitshinweise, Anweisungen, Bebilderungen und technischen Daten, mit denen dieses Elektrowerkzeug versehen ist. Versäumnisse bei der Einhaltung der nachfolgenden Anweisungen können elektrischen Schlag, Brand und/oder schwere Verletzungen verursachen.

Bewahren Sie alle Sicherheitshinweise und Anweisungen für die Zukunft auf.

Der in den Sicherheitshinweisen verwendete Begriff „Elektrowerkzeug“ bezieht sich auf netzbetriebene Elektrowerkzeuge (mit Netzleitung) oder auf akkubetriebene Elektrowerkzeuge (ohne Netzleitung).

Arbeitsplatzsicherheit

- a) **Halten Sie Ihren Arbeitsbereich sauber und gut beleuchtet.**
Unordnung oder unbeleuchtete Arbeitsbereiche können zu Unfällen führen.
- b) **Arbeiten Sie mit dem Elektrowerkzeug nicht in explosionsgefährdeter Umgebung, in der sich brennbare Flüssigkeiten, Gase oder Stäube befinden.**
Elektrowerkzeuge erzeugen Funken, die den Staub oder die Dämpfe entzünden können.
- c) **Halten Sie Kinder und andere Personen während der Benutzung des Elektrowerkzeugs fern.**
Bei Ablenkung können Sie die Kontrolle über das Elektrowerkzeug verlieren.

Elektrische Sicherheit

- a) **Der Anschlussstecker des Elektrowerkzeuges muss in die Steckdose passen.**
Der Stecker darf in keiner Weise verändert werden. Verwenden Sie keine Adapterstecker gemeinsam mit geschützten Elektrowerkzeugen. Unveränderte Stecker und passende Steckdosen verringern das Risiko eines elektrischen Schlages.
- b) **Vermeiden Sie Körperkontakt mit geerdeten Oberflächen wie von Rohren, Heizungen, Herden und Kühlschränken. Es besteht ein erhöhtes Risiko durch elektrischen Schlag, wenn Ihr Körper geerdet ist.**
- c) **Halten Sie Elektrowerkzeuge von Regen oder Nässe fern.**
Das Eindringen von Wasser in ein Elektrowerkzeug erhöht das Risiko eines elektrischen Schlages.
- d) **Zweckentfremden Sie die Anschlussleitung nicht, um das Elektrowerkzeug zu tragen, aufzuhängen oder um den Stecker aus der Steckdose zu ziehen.**
Halten Sie die Anschlussleitung fern von Hitze, Öl, scharfen Kanten oder sich bewegenden Geräteteilen. Beschädigte oder verwickelte Anschlussleitungen erhöhen das Risiko eines elektrischen Schlages.

- e) **Wenn Sie mit einem Elektrowerkzeug im Freien arbeiten, verwenden Sie nur Verlängerungskabel, die auch für den Außenbereich geeignet sind.**

Die Anwendung eines für den Außenbereich geeigneten Verlängerungskabels verringert das Risiko eines elektrischen Schlages.

- f) **Wenn der Betrieb des Elektrowerkzeuges in feuchter Umgebung nicht vermeidbar ist, verwenden Sie einen Fehlerstromschutzschalter.**

Der Einsatz eines Fehlerstromschutzschalters vermindert das Risiko eines elektrischen Schlages.

Sicherheit von Personen

- a) **Seien Sie aufmerksam, achten Sie darauf, was Sie tun, und gehen Sie mit Vernunft an die Arbeit mit einem Elektrowerkzeug. Benutzen Sie kein Elektrowerkzeug, wenn Sie müde sind oder unter dem Einfluss von Drogen, Alkohol oder Medikamenten stehen.** Ein Moment der Unachtsamkeit beim Gebrauch des Elektrowerkzeuges kann zu ernsthaften Verletzungen führen.
- b) **Tragen Sie persönliche Schutzausrüstung und immer eine Schutzbrille.**
Das Tragen persönlicher Schutzausrüstung, wie Staubmaske, rutschfeste Sicherheitsschuhe, Schutzhelm oder Gehörschutz, je nach Art und Einsatz des Elektrowerkzeuges, verringert das Risiko von Verletzungen.
- c) **Vermeiden Sie eine unbeabsichtigte Inbetriebnahme. Vergewissern Sie sich, dass das Elektrowerkzeug ausgeschaltet ist, bevor Sie es an die Stromversorgung und/oder den Akku anschließen, es aufnehmen oder tragen.** Wenn Sie beim Tragen des Elektrowerkzeuges den Finger am Schalter haben oder das Elektrowerkzeug eingeschaltet an die Stromversorgung anschließen, kann dies zu Unfällen führen.
- d) **Entfernen Sie Einstellwerkzeuge oder Schraubenschlüssel, bevor Sie das Elektrowerkzeug einschalten.**
Ein Werkzeug oder Schlüssel, der sich in einem drehenden Teil des Elektrowerkzeugs befindet, kann zu Verletzungen führen.
- e) **Vermeiden Sie eine abnormale Körperhaltung. Sorgen Sie für einen sicheren Stand und halten Sie jederzeit das Gleichgewicht.** Dadurch können Sie das Elektrowerkzeug in unerwarteten Situationen besser kontrollieren.
- f) **Tragen Sie geeignete Kleidung. Tragen Sie keine weite Kleidung oder Schmuck. Halten Sie Haare, Kleidung und Handschuhe fern von sich bewegenden Teilen.** Lockere Kleidung, Schmuck oder lange Haare können von sich bewegenden Teilen erfasst werden.
- g) **Wenn Staubabsaug- und -auffangeinrichtungen montiert werden können, vergewissern Sie sich, dass diese angeschlossen sind und richtig verwendet werden.**
Verwendung einer Staubabsaugung kann Gefährdungen durch Staub verringern.

- h) **Wiegen Sie sich nicht in falscher Sicherheit und setzen Sie sich nicht über die Sicherheitsregeln für Elektrowerkzeuge hinweg, auch wenn Sie nach vielfachem Gebrauch mit dem Elektrowerkzeug vertraut sind.** Achtloses Handeln kann binnen Sekundenbruchteilen zu schweren Verletzungen führen.

Verwendung und Behandlung des Elektrowerkzeuges

a) Überlasten Sie das Elektrowerkzeug nicht.

Verwenden Sie für Ihre Arbeit das dafür bestimmte Elektrowerkzeug. Mit dem passenden Elektrowerkzeug arbeiten Sie besser und sicherer im angegebenen Leistungsbereich.

b) Benutzen Sie kein Elektrowerkzeug, dessen Schalter defekt ist. Ein Elektrowerkzeug, das sich nicht mehr ein- oder ausschalten lässt, ist gefährlich und muss repariert werden.

c) Ziehen Sie den Stecker aus der Steckdose und/oder entfernen Sie einen abnehmbaren Akku, bevor Sie Geräteeinstellungen vornehmen, Einsatzwerkzeugteile wechseln oder das Elektrowerkzeug weglegen.

Diese Vorsichtsmaßnahme verhindert den unbeabsichtigten Start des Elektrowerkzeuges.

d) Bewahren Sie unbenutzte Elektrowerkzeuge außerhalb der Reichweite von Kindern auf.

Lassen Sie keine Personen das Elektrowerkzeug benutzen, die mit diesem nicht vertraut sind oder diese Anweisungen nicht gelesen haben. Elektrowerkzeuge sind gefährlich, wenn sie von unerfahrenen Personen benutzt werden.

e) Pflegen Sie Elektrowerkzeuge und Einsatzwerkzeug mit Sorgfalt.

Kontrollieren Sie, ob bewegliche Teile einwandfrei funktionieren und nicht klemmen, ob Teile gebrochen oder so beschädigt sind, dass die Funktion des Elektrowerkzeuges beeinträchtigt ist. Lassen Sie beschädigte Teile vor dem Einsatz des Elektrowerkzeuges reparieren. Viele Unfälle haben ihre Ursache in schlecht gewarteten Elektrowerkzeugen.

f) Halten Sie Schneidwerkzeuge scharf und sauber. Sorgfältig gepflegte Schneidwerkzeuge mit scharfen Schneidkanten verklemmen sich weniger und sind leichter zu führen.

g) Verwenden Sie Elektrowerkzeug, Zubehör, Einsatzwerkzeuge usw. entsprechend diesen Anweisungen.

Berücksichtigen Sie dabei die Arbeitsbedingungen und die auszuführende Tätigkeit. Der Gebrauch von Elektrowerkzeugen für andere als die vorgesehenen Anwendungen kann zu gefährlichen Situationen führen.

h) Halten Sie Griffe und Griffflächen trocken, sauber und frei von Öl und Fett. Rutschige Griffe und Griffflächen erlauben keine sichere Bedienung und Kontrolle des Elektrowerkzeuges in unvorhergesehenen Situationen.

Service

- a) Lassen Sie Ihr Elektrowerkzeug nur von qualifiziertem Fachpersonal und nur mit Original-Ersatzteilen reparieren.** Damit wird sichergestellt, dass die Sicherheit des Elektrowerkzeuges erhalten bleibt.

Sicherheitshinweise für Bohrmaschinen

- a) Die Bohrmaschine muss gesichert werden.** Eine nicht richtig befestigte Bohrmaschine kann sich bewegen oder kippen und dies kann zu Verletzungen führen.
- b) Das Werkstück muss an der Werkstückauflage eingespannt oder befestigt werden. Bohren Sie nicht in Werkstücke, die zu klein sind zum sicheren Einspannen.** Festhalten des Werkstücks von Hand kann zu Verletzungen führen.
- c) Tragen Sie keine Handschuhe.** Handschuhe können von sich drehenden Teilen oder Bohrspänen erfasst werden und so zu Verletzungen führen.
- d) Halten Sie Ihre Hände vom Bohrbereich fern, während das Elektrowerkzeug läuft.** Der Kontakt mit sich drehenden Teilen oder Bohrspänen kann zu Verletzungen führen.
- e) Das Bohrwerkzeug muss sich drehen, bevor Sie es an das Werkstück führen.** Sonst kann sich das Bohrwerkzeug im Werkstück verhaken und so eine unerwartete Bewegung des Werkstücks und Verletzungen verursachen.
- f) Sollte das Bohrwerkzeug blockieren, drücken Sie nicht weiter nach unten und schalten Sie das Elektrowerkzeug aus. Untersuchen und beseitigen Sie die Ursache für das Blockieren.** Blockieren kann zu einer unerwarteten Bewegung des Werkstücks und zu Verletzungen führen.
- g) Vermeiden Sie lange Bohrspäne, indem Sie den Druck nach unten regelmäßig unterbrechen.** Scharfe Metallspäne können sich verfangen und zu Verletzungen führen.
- h) Entfernen Sie niemals Bohrspäne aus dem Bohrbereich, während das Elektrowerkzeug läuft. Zum Entfernen von Spänen bewegen Sie das Bohrwerkzeug vom Werkstück weg, schalten Sie das Elektrowerkzeug aus und warten Sie den Stillstand des Bohrwerkzeugs ab. Verwenden Sie Hilfsmittel wie eine Bürste oder einen Haken, um die Späne zu entfernen.** Der Kontakt mit sich drehenden Teilen oder Bohrspänen kann zu Verletzungen führen.
- i) Die zulässige Drehzahl von Einsatzwerkzeugen mit Bemessungsdrehzahl muss mindestens so hoch sein wie die auf dem Elektrowerkzeug angegebene Höchstdrehzahl.** Zubehör, das sich schneller als zulässig dreht, kann zerbrechen und umherfliegen.



**Achtung: Laserstrahlung
Nicht in den Strahl blicken
Laserklasse 2**



Schützen Sie sich und Ihre Umwelt durch geeignete Vorsichtsmaßnahmen vor Unfallgefahren!

- Nicht direkt mit ungeschütztem Auge in den Laserstrahl blicken.
- Niemals direkt in den Strahlengang blicken.

- Den Laserstrahl nie auf reflektierende Flächen und Personen oder Tiere richten. Auch ein Laserstrahl mit geringer Leistung kann Schäden am Auge verursachen.
- Vorsicht - wenn andere als die hier angegebenen Verfahrensweisen ausgeführt werden, kann dies zu einer gefährlichen Strahlungsexposition führen.
- Lasermodul niemals öffnen. Es könnte unerwartet zu einer Strahlenexposition kommen.
- Der Laser darf nicht gegen einen Laser anderen Typs ausgetauscht werden.
- Reparaturen am Laser dürfen nur vom Hersteller des Lasers oder einem autorisierten Vertreter vorgenommen werden.
- Kennzeichnung und Anbringort der Warnaufkleber siehe Abb. 8 und 9

⚠️ WARNUNG! Dieses Elektrowerkzeug erzeugt während des Betriebes ein elektromagnetisches Feld. Dieses Feld kann unter bestimmten Umständen aktive oder passive medizinische Implantate beeinträchtigen. Um die Gefahr von ernsthaften oder tödlichen Verletzungen zu verringern, empfehlen wir Personen mit medizinischen Implantaten ihren Arzt und den Hersteller vom medizinischen Implantat zu konsultieren, bevor das Elektrowerkzeug bedient wird.

Restrisiken

Auch wenn Sie dieses Elektrowerkzeug vorschriftsmäßig bedienen, bleiben immer Restrisiken bestehen. Folgende Gefahren können im Zusammenhang mit der Bauweise und Ausführung dieses Elektrowerkzeuges auftreten:

- Lungenschäden, falls keine geeignete Staubschutzmaske getragen wird.
- Gehörschäden, falls kein geeigneter Gehörschutz getragen wird.
- Gesundheitsschäden, die aus Hand-Arm-Schwingungen resultieren, falls das Gerät über einen längeren Zeitraum verwendet wird oder nicht ordnungsgemäß geführt und gewartet wird.

7. Technische Daten

Wechselstrommotor.....	220 - 240 V~ 50 Hz
Nennleistung S1	710 Watt
Betriebsart.....	S2 5min* 900W
Leerlaufdrehzahl n ₀	500 - 2600 min ⁻¹
Bohrfutterspannbereich.....	1,5 - 13 mm
Bohrhub max.	70 mm
Maße Grundplatte.....	320 x 305 mm
Abstand Bohrfutter bis Bodenplatte	280 mm
Gewicht ca.	8,3 kg
Schutzklasse	II / □
Laserklasse.....	2
Wellenlänge Laser	650 nm
Leistung Laser.....	< 1 mW

* Auf die ununterbrochene Betriebsdauer von 5 Minuten erfolgt eine Ruhepause, bis die Gerätetemperatur weniger als 2 K (2° C) von der Raumtemperatur abweicht.

Das Werkstück muss mindestens eine Höhe von 3 mm und eine Breite von 45 mm haben. Achten Sie darauf, dass das Werkstück immer mit der Spannvorrichtung gesichert wird.

Überhängende Werkstücke müssen ggf. durch zusätzliche Stützen seitlich abgestützt werden.

Geräusch

Die Geräuschwerte wurden entsprechend EN 62841 ermittelt.

Schalldruckpegel L _{PA}	89,6 dB(A)
Unsicherheit K _{PA}	3 dB
Schallleistungspegel L _{WA}	102,6 dB(A)
Unsicherheit K _{WA}	3 dB

Tragen Sie einen Gehörschutz.

Die Einwirkung von Lärm kann Hörverlust bewirken.

Die angegebenen Geräuschemissionswerte sind nach einem genannten Prüfverfahren gemessen worden und können zum Vergleich eines Elektrowerkzeugs mit einem anderen verwendet werden.

Die angegebenen Geräuschemissionswerte können auch zu einer vorläufigen Einschätzung der Belastung verwendet werden.

Warnung:

- Die Geräuschemissionen können während der tatsächlichen Benutzung des Elektrowerkzeugs von den Angabewerten abweichen, abhängig von der Art und Weise, in der das Elektrowerkzeug verwendet wird, insbesondere, welche Art von Werkstück bearbeitet wird.
- Versuchen Sie, die Belastung so gering wie möglich zu halten. Beispielhafte Maßnahme: die Begrenzung der Arbeitszeit. Dabei sind alle Anteile des Betriebszyklus zu berücksichtigen (beispielsweise Zeiten, in denen das Elektrowerkzeug abgeschaltet ist, und solche, in denen es zwar eingeschaltet ist, aber ohne Belastung läuft).

8. Vor Inbetriebnahme

- Öffnen Sie die Verpackung und nehmen Sie das Gerät vorsichtig heraus.
- Entfernen Sie das Verpackungsmaterial sowie Verpackungs- und Transportsicherungen (falls vorhanden).
- Überprüfen Sie, ob der Lieferumfang vollständig ist.
- Kontrollieren Sie das Gerät und die Zubehörteile auf Transportschäden.
- Bewahren Sie die Verpackung nach Möglichkeit bis zum Ablauf der Garantiezeit auf.

ACHTUNG

Gerät und Verpackungsmaterialien sind kein Kinderspielzeug! Kinder dürfen nicht mit Kunststoffbeuteln, Folien und Kleinteilen spielen! Es besteht Verschluckungs- und Erstickungsgefahr!

Überzeugen Sie sich vor dem Anschließen, dass die Daten auf dem Typenschild mit den Netzdaten übereinstimmen.

- Überprüfen Sie das Gerät auf Transportschäden. Etwaige Schäden sofort dem Transportunternehmen melden, mit dem das Elektrowerkzeug angeliefert wurde.
- Lange Zuleitungen (Verlängerungskabel) sind zu vermeiden.
- Das Elektrowerkzeug nicht in feuchtem oder nassem Raum betreiben.
- Das Elektrowerkzeug darf nur in geeigneten Räumen (gut belüftet) betrieben werden.

9. Montage

⚠ Achtung!

Vor der Inbetriebnahme das Gerät unbedingt komplett montieren!

⚠ Bevor Sie das Gerät an das Stromnetz anschließen, vergewissern Sie sich, dass die Daten auf dem Typenschild mit den Netzdaten des Anschlusses übereinstimmen.

⚠ **Warnung!** Ziehen Sie immer den Netzstecker, bevor Sie Einstellungen am Gerät vornehmen.

9.1 Montage Grundplatte und Säule (Abb. 2)

1. Schieben Sie den Schnellspanner (2) über die Säule (3).
2. Setzen Sie die Säule (3) so in die Grundplatte (1) ein, dass sich der Führungszapfen am unteren Ende der Säule (3) in die Nut der Aufnahme der Grundplatte (1) einfügt.
3. Ziehen Sie die vormontierten Befestigungsschrauben (A) auf der Rückseite der Grundplatte (1) mit dem Innensechskantschlüssel (21) an.

9.2 Montage Parallelanschlag (Abb. 4)

1. Schieben Sie den Parallelanschlag (16) in die Nuten der Grundplatte (1).
2. Achten Sie darauf, dass die Nutensteine unterhalb der Flügelschrauben für den Parallelanschlag (15) in den Nuten fluchten.
3. Bringen Sie den Parallelanschlag (16) in die gewünschte Position und ziehen Sie die Flügelschrauben für den Parallelanschlag (15) fest.

9.3 Montage Handgriff (Abb. 2)

1. Entfernen Sie die vormontierte Befestigungsschraube (B).
2. Achten Sie auf den richtigen Sitz des Abstandshalters (13).
3. Schieben Sie den Handgriff (8) auf die Aufnahme (G), wie in Abb. 2 dargestellt.
4. Legen Sie die Mutter (C) in die Aussparung im Handgriff (8) ein und ziehen Sie die Befestigungsschraube (B) an.

9.4 Montage Tiefenanschlag (Abb. 2)

1. Setzen Sie den Tiefenanschlag (7) von oben in die Aussparung am Gehäuse ein.
2. Montieren Sie den Klemmhebel Tiefenanschlag (6), wie in Abb. 2 dargestellt.

9.5 Montage auf einer Arbeitsfläche (Abb. 4)

Befestigen Sie das Gerät auf der Arbeitsfläche, indem Sie die Grundplatte (1) auf der Arbeitsfläche verschrauben.

10. Bedienung

10.1 Höhenverstellung (Abb. 2, 3)

Die Position des Maschinenkopfes kann abhängig von der Werkstückhöhe bzw. Werkzeuglänge eingestellt werden.

1. Halten Sie den Handgriff (8) fest.
2. Öffnen Sie den Klemmhebel Höhenverstellung (5).
3. Bestimmen Sie die Position des Maschinenkopfes über den Handgriff (8).
4. Sichern Sie die Position des Maschinenkopfes mit dem Klemmhebel Höhenverstellung (5).

Achtung! In der untersten Position des Maschinenkopfes ist darauf zu achten, dass dieser nicht über die Markierung (23) hinaus verfahren wird.

Sichern Sie den Maschinenkopf in dieser Position mit dem Klemmhebel Höhenverstellung (5). Andernfalls könnte es zu Schäden an der Führung kommen.

10.2 Bohrtiefe einstellen (Abb. 1, 11)

Mit dem Tiefenanschlag (7) kann die Bohrtiefe festgelegt werden.

1. Lösen Sie den Klemmhebel am Tiefenanschlag (6).
2. Führen Sie eine Probebohrung durch. Sobald die gewünschte Tiefe erreicht ist, ziehen Sie den Klemmhebel Tiefenanschlag (6) wieder fest.
3. Der Tiefenanschlag (7) ist nun in der gewünschten Bohrtiefe arretiert.
4. Überprüfen Sie abschließend die Position des Tiefenanschlages. Falls das angezeigte Maß nicht mit der tatsächlichen Bohrtiefe übereinstimmt, kann der Zeiger (9) nachjustiert werden.
 - Lösen Sie die Kreuzschlitzschraube (19) des Zeigers (9).
 - Stellen Sie den Zeiger (9) auf die korrekte Position zur Skala (20) ein.
 - Ziehen Sie die Kreuzschlitzschraube (19) wieder fest.

10.3 Werkzeug einspannen/ausspannen (Abb. 5, 6)

Vorsicht! Lassen Sie den Bohrfutterschlüssel nicht stecken. Verletzungsgefahr durch Wegschleudern des Bohrfutterschlüssels.

10.3.1 Einspannen

1. Setzen Sie den Bohrfutterschlüssel (22) ein.
2. Drehen Sie den Bohrfutterschlüssel (22) gegen den Uhrzeigersinn, um die Spannhülse (D) zu öffnen.
3. Setzen Sie das Einsatzwerkzeug (E) ein.
4. Halten Sie das Einsatzwerkzeug (E) fest.
5. Drehen Sie den Bohrfutterschlüssel (22) im Uhrzeigersinn, um die Spannhülse (D) zu schließen und das Einsatzwerkzeug zu sichern.
6. Prüfen Sie das Einsatzwerkzeug (E) auf festen Sitz.
7. Ziehen Sie den Bohrfutterschlüssel (22) wieder ab.

10.3.2 Ausspannen

1. Setzen Sie den Bohrfutterschlüssel (22) ein.
2. Drehen Sie den Bohrfutterschlüssel (22) gegen den Uhrzeigersinn, bis das Einsatzwerkzeug (E) entnommen werden kann.
3. Ziehen Sie den Bohrfutterschlüssel (22) wieder ab.

10.4 Werkstück ausrichten (Abb. 1)

1. Schalten Sie den Kreuzlinienlaser über den Ein-/Ausw-Schalter (18) ein.
2. Der Schnittpunkt der beiden Laserlinien zeigt Ihnen exakt den Bohrermitelpunkt an.
3. Richten Sie Ihre Markierung auf dem Werkstück am Laserkreuz aus.

10.5 Werkstück spannen (Abb. 7)

Das zu bearbeitende Werkstück muss sicher gespannt werden können. Bearbeiten Sie keine Werkstücke, die nicht gespannt werden können.

Die Aussparung des Schnellspanners muss mittig zur Bohrung ausgerichtet sein. Andernfalls kann Bohrer oder Bohrfutter durch den Schnellspanner blockiert werden.

1. Positionieren Sie das Werkstück mit Hilfe des Kreuzlinienlasers.
2. Lösen Sie die Schnellspannschraube (17).
3. Lassen Sie den Schnellspanner (2) auf dem Werkstück aufliegen.
4. Drehen Sie die Schnellspannschraube (17) im Uhrzeigersinn, um das Werkstück zu spannen.
5. Zum Lösen des Schnellspanners (2) drehen Sie die Schnellspannschraube (17) gegen den Uhrzeigersinn.

10.6 Spannen größerer Werkstücke (Abb. 7)

Verwenden Sie für größere Werkstücke den Parallelanschlag (16):

1. Lösen Sie die Flügelschrauben für den Parallelanschlag (15) und setzen Sie den Parallelanschlag (16) in die Nuten der Grundplatte ein.
2. Ziehen Sie die Flügelschrauben für den Parallelanschlag (15) fest.
3. Richten Sie Ihr Werkstück am Parallelanschlag (16) aus und spannen Sie es mit dem Schnellspanner (2).

Warnung! Sorgen Sie bei Werkstücken, die breiter oder länger als die Tischoberseite sind, für eine angemessene Abstützung, z. B. durch Untergestelle oder Sägeböcke.

Werkstücke, die länger oder breiter als die Grundplatte der Tischbohrmaschine sind, können kippen, wenn sie nicht fest abgestützt sind. Wenn das Werkstück kippt, kann es den Bohrfutterschutz oder das Schneidwerkzeug beschädigen.

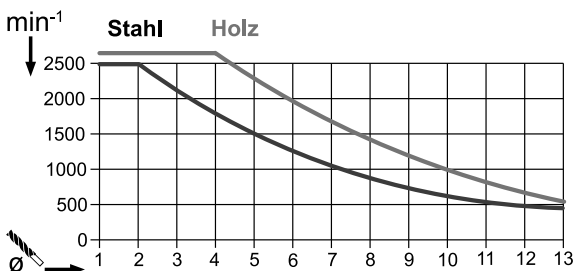
10.7 Drehzahl einstellen (Abb. 1)

Die richtige Drehzahl muss abhängig vom zu bearbeitenden Werkstück sein und nach dem Werkzeugdurchmesser eingestellt werden.

10.7.1 Elektronische Drehzahlregelung

Mit der elektronischen Drehzahlregelung können Sie die Drehzahl stufenlos einstellen:

Stellen Sie mit Hilfe des Drehzahlreglers (12) die Drehzahl ein. Die aktuelle Drehzahl kann anhand der Markierung auf dem Drehzahlregler (12) abgelesen werden.



10.8 Ein- / Ausschalten (Abb. 1)

Einschalten: Betätigen Sie den Einschalter (11), um das Gerät einzuschalten.

Ausschalten: Betätigen Sie den Ausschalter (10), um das Gerät auszuschalten.

10.9 Bohrvorgang (Abb. 1, 7)

1. Richten Sie das Werkstück aus und spannen Sie dieses.
2. Starten Sie das Gerät und stellen Sie die Drehzahl ein.
3. Zum Bohren bewegen Sie den Handgriff (8) mit gleichmäßigem Vorschub, bis die gewünschte Bohrtiefe erreicht ist. Beim Bohren von Metallen unterbrechen Sie den Vorschub kurz, um den Span zu brechen.
4. Nach dem Erreichen der Bohrtiefe, führen Sie den Handgriff (8) wieder in die Ausgangsposition zurück.
5. Schalten Sie das Gerät aus.

11. Transport

⚠ Warnung! Vor dem Transport Netzstecker ziehen!

- Halten Sie zum Transportieren das Elektrowerkzeug an der Grundplatte (1).

12. Reinigung und Wartung

⚠ Warnung! Vor jeglicher Einstellung, Instandhaltung oder Instandsetzung Netzstecker ziehen!

12.1 Allgemeine Wartungsmaßnahmen

⚠ Lassen Sie Arbeiten, die nicht in dieser Betriebsanleitung beschrieben sind, von einer Fachwerkstatt durchführen. Verwenden Sie nur Originalteile. Lassen Sie das Gerät vor allen Wartungs- und Reinigungsarbeiten abkühlen.

⚠ Es besteht Verbrennungsgefahr!

Kontrollieren Sie das Gerät vor jedem Gebrauch auf offensichtliche Mängel wie lose, abgenutzte oder beschädigte Teile, korrekten Sitz von Schrauben oder anderen Teilen. Tauschen Sie beschädigte Teile aus.

12.2 Reinigung

Verwenden Sie keine Reinigungs- bzw. Lösungsmittel. Chemische Substanzen können die Kunststoffteile des Gerätes angreifen. Reinigen Sie das Gerät niemals unter fließendem Wasser.

- Reinigen Sie das Gerät nach jedem Gebrauch gründlich.
- Reinigen Sie die Lüftungsöffnungen und die Oberfläche des Gerätes mit einer weichen Bürste, einem Pinsel oder einem Tuch.
- Entfernen Sie Späne, Staub und Schmutz ggf. mit einem Staubsauger.
- Schmieren Sie bewegliche Teile regelmäßig.

12.3 Wartung

Im Gerät befinden sich keine zu wartenden Teile.

12.4 Austausch des Bohrfutters (Abb. 1, 5, 10)

⚠ Warnung! Netzstecker ziehen!

Benötigtes Werkzeug (nicht im Lieferumfang enthalten):

1x Gabelschlüssel 27 mm

- Entnehmen Sie das Einsatzwerkzeug, wie unter 10.3.2 beschrieben.
- Ziehen Sie die Spannhülse (D) fest an, indem Sie den Bohrfutterschlüssel (22) im Uhrzeigersinn drehen.
- Halten Sie das Bohrfutter (14) mit einer Hand fest, während Sie mit dem Gabelschlüssel (27 mm) die Mutter (F) im Uhrzeigersinn nach unten bewegen.

- Sobald das Bohrfutter (14) vom Sitz der Welle gelockert ist, kann dieses abgenommen werden.
 - Das neue Bohrfutter fixieren Sie in umgekehrter Reihenfolge. Für einen Tausch des Bohrfutters sind nur vom Hersteller zugelassene Bohrfutter zu verwenden.
- Bestellnummer: 390 6814 001

12.5 Service-Informationen

Es ist zu beachten, dass bei diesem Produkt folgende Teile einem gebrauchsgemäßen oder natürlichen Verschleiß unterliegen bzw. folgende Teile als Verbrauchsmaterialien benötigt werden.

Verschleißteile*: Kohlebürsten, Bohrer

* nicht zwingend im Lieferumfang enthalten!

13. Lagerung

Lagern Sie das Gerät und dessen Zubehör an einem dunklen, trockenen und frostfreien sowie für Kinder unzugänglichen Ort. Die optimale Lagertemperatur liegt zwischen 5 und 30 °C. Bewahren Sie das Elektrowerkzeug in der Originalverpackung auf.

Decken Sie das Elektrowerkzeug ab, um es vor Staub oder Feuchtigkeit zu schützen.

Bewahren Sie die Bedienungsanleitung bei dem Elektrowerkzeug auf.

14. Elektrischer Anschluss

Der installierte Elektromotor ist betriebsfertig angeschlossen. Der Anschluss entspricht den einschlägigen VDE- und DIN-Bestimmungen. Der kundenseitige Netzanschluss sowie die verwendete Verlängerungsleitung müssen diesen Vorschriften entsprechen.

14.1 Wichtige Hinweise

Bei Überlastung des Motors schaltet dieser selbständig ab. Nach einer Abkühlzeit (zeitlich unterschiedlich) lässt sich der Motor wieder einschalten.

14.2 Schadhafte Elektro-Anschlussleitung

An elektrischen Anschlussleitungen entstehen oft Isolationsschäden.

Ursachen hierfür können sein:

- Druckstellen, wenn Anschlussleitungen durch Fenster oder Türspalten geführt werden.
- Knickstellen durch unsachgemäße Befestigung oder Führung der Anschlussleitung.
- Schnittstellen durch Überfahren der Anschlussleitung.
- Isolationsschäden durch Herausreißen aus der Wandsteckdose.
- Risse durch Alterung der Isolation.

Solch schadhafte Elektro-Anschlussleitungen dürfen nicht verwendet werden und sind aufgrund der Isolationsschäden lebensgefährlich.

Elektrische Anschlussleitungen regelmäßig auf Schäden überprüfen. Achten Sie darauf, dass beim Überprüfen die Anschlussleitung nicht am Stromnetz hängt.

Elektrische Anschlussleitungen müssen den einschlägigen VDE- und DIN-Bestimmungen entsprechen. Verwenden Sie nur Anschlussleitungen mit Kennzeichnung „H05VV-F“.

Ein Aufdruck der Typenbezeichnung auf dem Anschlusskabel ist Vorschrift.

Wenn ein Ersatz der Anschlussleitung erforderlich ist, dann ist dies vom Hersteller oder seinem Vertreter auszuführen, um Sicherheitsgefährdungen zu vermeiden.

14.3 Wechselstrommotor

Die Netzspannung muss 220 - 240 V~ 50Hz betragen.

- Verlängerungsleitungen bis 25 m Länge müssen einen Querschnitt von 1,5 Quadratmillimeter aufweisen.

Anschlüsse und Reparaturen der elektrischen Ausrüstung dürfen nur von einer Elektro-Fachkraft durchgeführt werden.

Bei Rückfragen bitte folgende Daten angeben:

- Stromart des Motors
- Daten des Motor-Typenschildes

15. Entsorgung und Wiederverwertung

Das Gerät befindet sich in einer Verpackung, um Transportschäden zu verhindern. Diese Verpackung ist Rohstoff und ist somit wieder verwendbar oder kann dem Rohstoffkreislauf zurückgeführt werden.

Das Gerät und dessen Zubehör bestehen aus verschiedenen Materialien, wie z.B. Metall und Kunststoffe. Führen Sie defekte Bauteile der Sondermüllentsorgung zu. Fragen Sie im Fachgeschäft oder in der Gemeindeverwaltung nach!



Die Verpackung besteht aus umweltfreundlichen Materialien, die Sie über die örtlichen Recyclingstellen entsorgen können.

Möglichkeiten zur Entsorgung des ausgedienten Gerätes erfahren Sie bei Ihrer Gemeinde- oder Stadtverwaltung.

Altgeräte dürfen nicht in den Hausmüll!



Dieses Symbol weist darauf hin, dass dieses Produkt gemäß Richtlinie über Elektro- und Elektronik-Altgeräte (2012/19/EU) und nationalen Gesetzen nicht über den Hausmüll entsorgt werden darf. Dieses Produkt muss bei einer dafür vorgesehenen Sammelstelle abgegeben werden. Dies kann z. B. durch Rückgabe beim Kauf eines ähnlichen Produkts oder durch Abgabe bei einer autorisierten Sammelstelle für die Wiederaufbereitung von Elektro- und Elektronik-Altgeräten geschehen. Der unsachgemäße Umgang mit Altgeräten kann aufgrund potentiell gefährlicher Stoffe, die häufig in Elektro- und Elektronik-Altgeräten enthalten sind, negative Auswirkungen auf die Umwelt und die menschliche Gesundheit haben. Durch die sachgemäße Entsorgung dieses Produkts tragen Sie außerdem zu einer effektiven Nutzung natürlicher Ressourcen bei. Informationen zu Sammelstellen für Altgeräte erhalten Sie bei Ihrer Stadtverwaltung, dem öffentlich-rechtlichen Entsorgungsträger, einer autorisierten Stelle für die Entsorgung von Elektro- und Elektronik-Altgeräten oder Ihrer Müllabfuhr.

16. Störungsabhilfe

Störung	Mögliche Ursache	Abhilfe
Gerät startet nicht	Motor, Kabel oder Stecker defekt, Haussicherung spricht an	Steckdose, Netzanschlussleitung, Leitung, Netzstecker prüfen, ggf. Reparatur durch Elektrofachmann. Haussicherung prüfen
	Ein-/Ausschalter (11/10) defekt	Reparatur durch Kundendienst
	Motor defekt	Reparatur durch Kundendienst
Starke Vibrationen	Grundplatte (1) nicht fixiert	Maschine auf Werkbank o. ä. sichern
	Werkzeug nicht zentriert eingespannt	Werkzeug im Bohrfutter (14) überprüfen
Motor überhitzt leicht	Überlastung des Motors, ungenügende Kühlung des Motors.	Überlastung des Motors beim Bohren verhindern, Staub vom Motor entfernen, damit eine optimale Kühlung des Motors gewährleistet ist.
Motor macht zu viel Lärm	Wicklungen beschädigt, Motor defekt.	Kontrolle durch Kundendienst

17. Garantiekunde

Sehr geehrte Kundin, sehr geehrter Kunde,

unsere Produkte unterliegen einer strengen Qualitätskontrolle. Sollte dieses Gerät dennoch einmal nicht einwandfrei funktionieren, bedauern wir dies sehr und bitten Sie, sich an unseren Servicedienst unter der auf dieser Garantiekarte angegebenen Adresse zu wenden. Gern stehen wir Ihnen auch telefonisch über die unten angegebene Servicrufnummer zur Verfügung. Für die Geltendmachung von Garantieansprüchen gilt Folgendes:

- Diese Garantiebedingungen regeln zusätzliche Garantieleistungen. Ihre gesetzlichen Gewährleistungsansprüche werden von dieser Garantie nicht berührt. Unsere Garantieleistung ist für Sie kostenlos.
- Die Garantieleistung erstreckt sich ausschließlich auf Mängel, die auf Material- oder Herstellungsfehler zurückzuführen sind und ist auf die Behebung dieser Mängel bzw. den Austausch des Gerätes beschränkt. Bitte beachten Sie, dass unsere Geräte bestimmungsgemäß nicht für den gewerblichen, handwerklichen oder industriellen Einsatz konstruiert wurden. Ein Garantievertrag kommt daher nicht zustande, wenn das Gerät in Gewerbe-, Handwerks- oder Industriebetrieben sowie bei gleichzusetzenden Tätigkeiten eingesetzt wird. Von unserer Garantie sind ferner Ersatzleistungen für Transportschäden, Schäden durch Nichtbeachtung der Montageanleitung oder aufgrund nicht fachgerechter Installation, Nichtbeachtung der Gebrauchsanleitung (wie durch z. B. Anschluss an eine falsche Netzspannung oder Stromart), missbräuchliche oder unsachgemäße Anwendungen (wie z. B. Überlastung des Gerätes oder Verwendung von nicht zugelassenen Einsatzwerkzeugen oder Zubehör), Nichtbeachtung der Wartungs- und Sicherheitsbestimmungen, Eindringen von Fremdkörpern in das Gerät (wie z. B. Sand, Steine oder Staub), Gewaltanwendung oder Fremdeinwirkungen (wie z. B. Schäden durch Herunterfallen) sowie durch verwendungsgemäßen, üblichen Verschleiß ausgeschlossen.

Der Garantieanspruch erlischt, wenn an dem Gerät bereits Eingriffe vorgenommen wurden.

- Die Garantiezeit beträgt 3 Jahre und beginnt mit dem Kaufdatum des Gerätes. Garantieansprüche sind vor Ablauf der Garantiezeit innerhalb von zwei Wochen, nachdem Sie den Defekt erkannt haben, geltend zu machen. Die Geltendmachung von Garantieansprüchen nach Ablauf der Garantiezeit ist ausgeschlossen. Die Reparatur oder der Austausch des Gerätes führt weder zu einer Verlängerung der Garantiezeit noch wird eine neue Garantiezeit durch diese Leistung für das Gerät oder für etwaige eingebaute Ersatzteile in Gang gesetzt. Dies gilt auch bei Einsatz eines Vor-Ort-Services.
- Für die Geltendmachung Ihres Garantieanspruches wenden Sie sich bitte an die unten angegebene Service-Adresse. Sofern die Reklamation innerhalb der Garantiezeit liegt, werden wir Ihnen einen Retourenschein zur Verfügung stellen, mit dem Sie Ihr defektes Gerät kostenfrei an uns zurücksenden können. Beschreiben Sie uns bitte den Reklamationsgrund möglichst genau. Ist der Defekt des Gerätes von unserer Garantieleistung erfasst, erhalten Sie umgehend ein repariertes oder neues Gerät zurück.

Selbstverständlich beheben wir gegen Erstattung der Kosten auch gerne Defekte am Gerät, die vom Garantiumfang nicht oder nicht mehr erfasst sind. Dazu senden Sie das Gerät bitte an unsere Serviceadresse.

Service-Hotline (DE):

+800 4003 4003
(0,00 EUR/Min.)

Service-Hotline (AT):

+800 4003 4003
(0,00 EUR/Min.)

Service-Hotline (CH):

+800 4003 4003
(0,00 EUR/Min.)

Service-Email (DE):

service.DE@schepfach.com

Service-Email (AT):

service.AT@schepfach.com

Service-Email (CH):

service.CH@schepfach.com

Service-Adresse (DE):

schepfach Fabrikation von
Holzbearbeitungsmaschinen GmbH
Günzburger Str. 69
DE - 89335 Ichenhausen

Service-Adresse (AT):

Gausch Hubert
Bairisch Kölldorf 267
AT - 8344 Bad Gleichenberg

Service-Adresse (CH):

Klaus-Häberling AG
Industriestraße 6
CH - 8610 Uster





Auf www.lidl-service.com können Sie diese und viele weitere Handbücher, Produktvideos und Installationssoftware herunterladen.

Mit dem QR-Code gelangen Sie direkt auf die Lidl-Service-Seite (www.lidl-service.com) und können mittels der Eingabe der Artikelnummer (IAN) 361816_2010 ihre Bedienungsanleitung öffnen.

1.	Explication des symboles sur l'appareil.....	23
2.	Introduction.....	24
3.	Description de l'appareil (ill. 1-11).....	24
4.	Fournitures.....	24
5.	Utilisation conforme.....	24
6.	Consignes de sécurité.....	25
7.	Caractéristiques techniques.....	27
8.	Avant la mise en service.....	27
9.	Montage.....	27
10.	Commande.....	28
11.	Transport.....	29
12.	Nettoyage et maintenance.....	29
13.	Stockage.....	30
14.	Raccordement électrique.....	30
15.	Élimination et recyclage.....	30
16.	Dépannage.....	31
17.	Certificat de garantie.....	32
18.	Déclaration de conformité.....	99

1. Explication des symboles sur l'appareil

	<p>FR BE</p>	<p>Avertissement ! En cas de non-respect des instructions, risque de blessures graves, voire mortelles, ou d'endommagement de l'outil !</p>	
	<p>FR BE</p>	<p>Lire la notice d'utilisation et observer les consignes de sécurité avant de procéder à la mise en service !</p>	
	<p>FR BE</p>	<p>Porter des lunettes de protection !</p>	
	<p>FR BE</p>	<p>Porter une protection auditive !</p>	
	<p>FR BE</p>	<p>En cas de génération de poussières, porter une protection respiratoire !</p>	
	<p>FR BE</p>	<p>Ne portez pas vos cheveux longs détachés. Utilisez un filet.</p>	
	<p>FR BE</p>	<p>Ne pas porter de protection des mains.</p>	
	<p>FR BE</p>	<p>Classe de protection II (double isolation)</p>	
 <p>Achtung! - Laserstrahlung Nicht in den Strahl blicken! Laser Klasse 2 Laserspezifikation nach EN 60825-1:2014 λ = 650 nm P_e < 1 mW</p>	<p>FR BE</p>	<p>Attention ! Rayonnement laser</p>	<p>ill. 8, 9</p>

2. Introduction

FABRICANT :

scheppach

Fabrikation von Holzbearbeitungsmaschinen GmbH
Günzburger Straße 69
D-89335 Ichenhausen

CHER CLIENT,

Nous espérons que votre nouvelle machine vous apportera satisfaction et de bons résultats.

REMARQUE :

Conformément à la loi en vigueur sur la responsabilité du fait des produits, le fabricant de cet appareil n'est pas responsable des dommages survenus ou générés sur l'appareil en cas de :

- Manipulation incorrecte,
- Inobservation de la notice d'utilisation,
- Réparations effectuées par des tiers ou des spécialistes non autorisés,
- Montage et remplacement des pièces de rechange non originales,
- Utilisation non conforme,
- Pannes de l'installation électrique, en cas de non-respect des prescriptions électriques et des dispositions de la VDE 0100, DIN 57113 / VDE0113.

Attention :

Lisez l'ensemble du texte de la notice d'utilisation avant le montage et la mise en service.

La présente notice d'utilisation a pour objectif de vous familiariser avec votre appareil et d'en exploiter les possibilités d'emploi conforme.

La notice d'utilisation contient des remarques importantes sur la manière de travailler en toute sécurité, réglementairement et économiquement avec l'appareil et sur la façon d'éviter les dangers, d'économiser les coûts de réparation, de réduire les périodes d'arrêt et d'augmenter la fiabilité et la durée de vie de l'appareil.

Outre les dispositions de sécurité figurant dans cette notice d'utilisation, vous devez absolument observer les prescriptions concernant le fonctionnement de l'appareil en vigueur dans votre pays.

Conservez la notice d'utilisation dans une pochette en plastique à l'abri de la poussière et de l'humidité près de l'appareil. Chaque opérateur doit l'avoir lue avant le début des travaux et doit la respecter minutieusement.

Seules des personnes formées à l'utilisation de l'appareil et informées des dangers associés sont autorisées à travailler avec l'appareil. Respecter la limite d'âge minimum requis.

Outre les consignes de sécurité reprises dans la présente notice d'utilisation et les prescriptions particulières en vigueur dans votre pays, respecter également les règles techniques générales concernant l'utilisation des machines similaires.

Nous déclinons toute responsabilité concernant les accidents ou dommages qui surviendraient en raison d'un non-respect de cette notice et des consignes de sécurité.

3. Description de l'appareil (ill. 1-11)

1. Socle
2. Tendeur rapide
3. Colonne
4. Crémaillère de réglage de la hauteur
5. Levier de blocage de la hauteur
6. Levier de blocage de la butée de profondeur
7. Butée de profondeur
8. Poignée
9. Pointeur de butée de profondeur
10. Interrupteur Off
11. Interrupteur On
12. Régulateur de vitesse
13. Entretoise
14. Mandrin de perceuse
15. Vis papillon de la butée parallèle
16. Butée parallèle
17. Vis de serrage rapide
18. Interrupteur On/Off de laser
19. Vis cruciforme (pointeur)
20. Échelle
21. Clé Allen, 4 mm
22. Clé de mandrin de perceuse
23. Marquage

4. Fournitures

- 1 Perceuse à colonne
- 1 Dispositif de serrage rapide (2)
- 1 Plaque de base (1)
- 1 Butée parallèle (16)
- 1 Entretoise (13)
- 1 Poignée (8)
- 1 Butée de profondeur (7)
- 1 Levier de blocage (6)
- 1 Clé Allen, 4 mm (21)
- 1 Clé de mandrin de perceuse (22)
- 1 Manuel d'utilisation
- 1 Matériel de montage

5. Utilisation conforme

La perceuse à colonne d'établi est conçue pour le perçage dans le métal, le bois, le plastique et le carrelage.

Capacité de serrage du mandrin: de 1,5 à 13 mm.

L'appareil est destiné à être utilisé pour le bricolage. Il n'a pas été conçu pour une utilisation commerciale continue. L'appareil n'est pas destiné à être utilisé par des jeunes de moins de 16 ans. Les jeunes de plus de 16 ans ne peuvent utiliser l'appareil que sous surveillance. Le fabricant décline toute responsabilité quant aux dommages dus à une utilisation non conforme ou à une fausse manipulation.

Remarque : conformément aux dispositions, nos appareils n'ont pas été conçus pour une utilisation commerciale, artisanale ou industrielle. Nous déclinons toute responsabilité si l'appareil est utilisé dans des exploitations commerciales, artisanales ou industrielles, ou dans le cadre d'activités comparables.

6. Consignes de sécurité

Consignes de sécurité générales pour les outils électriques

⚠ AVERTISSEMENT ! Lisez toutes les consignes de sécurité, instructions, illustrations et caractéristiques techniques de cet outil électrique. Toute négligence dans le respect des instructions suivantes peut entraîner un choc électrique, un incendie et/ou des blessures graves.

Conserver à l'avenir toutes les consignes de sécurité et instructions.

Le terme d'« outil électrique » utilisé dans les consignes de sécurité désigne les outils électriques sur secteur (avec câble secteur) et les outils électriques sur batterie (sans câble secteur).

Sécurité au poste de travail

a) Faire en sorte que la zone de travail soit propre et bien éclairée.

Le désordre ou des zones de travail non éclairées peuvent entraîner des accidents.

b) Ne pas utiliser l'outil électrique dans un environnement propice aux explosions, où se trouvent des liquides, gaz ou poussières inflammables.

Les outils électriques génèrent des étincelles, susceptibles de mettre le feu à la poussière ou aux vapeurs.

c) Pendant l'utilisation de l'outil électrique, maintenir les enfants et tiers à bonne distance.

Toute déviation peut entraîner une perte de contrôle de l'outil électrique.

Sécurité électrique

a) Le connecteur de raccordement de l'outil électrique doit correspondre à la prise de courant.

Ne modifier d'aucune manière le connecteur. N'utiliser aucun connecteur adaptateur avec des outils électriques mis à la terre. Des connecteurs non modifiés et fiches adaptées réduisent le risque de choc électrique.

b) Éviter tout contact physique avec les surfaces mises à la terre, par exemple, tuyaux, chauffages, cuisinières et réfrigérateurs. Si le corps est mis à la terre, le risque de choc électrique est plus important.

c) Mettre les outils électriques à l'abri de la pluie ou de l'humidité.

La pénétration d'eau dans un outil électrique augmente le risque de choc électrique.

d) Ne pas utiliser le câble de raccordement pour transporter ou suspendre l'outil électrique, ni pour débrancher le connecteur de la prise de courant.

Maintenir le câble de raccordement à l'abri de la chaleur, de l'huile, des arêtes coupantes ou des pièces mobiles. Des câbles de raccordement endommagés ou emmêlés augmentent le risque de choc électrique.

e) Si l'outil électrique est utilisé à l'extérieur, se servir d'une rallonge autorisée pour l'extérieur.

Le recours à une rallonge convenant à l'extérieur réduit le risque de choc électrique.

f) Si l'outil électrique doit impérativement être utilisé en milieu humide, utiliser un disjoncteur de protection à courant de fuite.

Le recours à un disjoncteur de protection à courant de fuite réduit le risque de choc électrique.

Sécurité des personnes

a) Se montrer attentif et faire attention à ses actes et procéder avec prudence lors du travail avec un outil électrique.

Ne pas utiliser l'outil électrique en cas de fatigue ou si l'on est sous l'influence de drogues, de l'alcool ou de médicaments. Tout moment d'inattention lors de l'utilisation de l'outil électrique peut conduire à des blessures graves.

b) Toujours porter un équipement de protection individuelle et des lunettes de protection.

Quel que soit le type d'outil électrique et son mode d'utilisation, le port d'un équipement de protection individuelle, tel qu'un masque antipoussières, des chaussures de sécurité antidérapantes, un casque de protection ou une protection auditive réduit le risque de blessures.

c) Éviter toute mise en service involontaire. Veiller à ce que l'outil électrique soit arrêté avant de le brancher sur l'alimentation électrique et/ou la batterie, de le prendre ou de le porter. Si vous avez votre doigt sur l'interrupteur lorsque vous transportez l'outil ou si la machine est en marche lorsque vous la connectez au réseau, il y a risque d'accident.

d) Avant d'activer l'outil électrique, retirer les outils de réglage ou clés de serrage.

Tout outil ou clé se trouvant dans une pièce rotative de l'outil électrique peut entraîner des blessures.

e) Éviter toute position du corps anormale. Veiller à adopter une position stable et à toujours maintenir son équilibre. Ainsi, il est possible de mieux contrôler l'outil électrique en cas de situation inattendue.

f) Porter des vêtements adaptés. Ne pas porter de vêtements amples ou de bijoux. Maintenir les cheveux, vêtements et gants à bonne distance des pièces mobiles. Les vêtements amples, bijoux ou cheveux longs risquent d'être happés par les pièces mobiles.

g) Si des dispositifs d'aspiration et de collecte des poussières peuvent être montés, veiller à ce qu'ils soient raccordés et utilisés correctement.

Le recours à une aspiration des poussières peut réduire les risques liés à la poussière.

h) Ne pas se laisser aller à une fausse impression de sécurité et négliger de respecter les règles de sécurité applicables aux outils électriques, même une fois parfaitement familiarisé avec l'utilisation de cet outil électrique. Toute manipulation négligente peut entraîner des blessures graves en quelques fractions de seconde.

Utilisation et manipulation de l'outil électrique

a) Ne pas surcharger l'outil électrique.

Utiliser l'outil électrique qui convient au travail à réaliser. L'outil électrique adapté fonctionne en effet de manière plus satisfaisante et plus sûre dans la plage de puissance indiquée.

b) Ne pas utiliser un outil électrique dont l'interrupteur est défectueux. Un outil électrique qu'il est devenu impossible d'activer ou de désactiver représente un danger et doit être réparé.

c) Retirer le connecteur de la prise de courant et/ou retirer la batterie amovible avant d'entreprendre de régler l'appareil, de remplacer les pièces de l'outil d'insertion ou de déposer l'outil électrique.

Cette mesure de sécurité empêche le démarrage impromptu de l'outil électrique.

d) Conserver les outils électriques inutilisés hors de portée des enfants.

L'outil électrique ne doit pas être utilisé par des personnes qui ne sont pas familières de ces outils ou qui n'ont pas lu ces instructions. Les outils électriques représentent un danger s'ils sont utilisés par des personnes inexpérimentées.

e) Prendre soin des outils électriques et outils auxiliaires.

Vérifier si les pièces mobiles fonctionnent parfaitement, ne sont pas bloquées ou si certaines pièces sont cassées ou si endommagées qu'elles nuisent au bon fonctionnement de l'outil électrique. Faire réparer les pièces endommagées avant d'utiliser l'outil électrique. De nombreux accidents sont dus à des outils électriques mal entretenus.

f) Maintenir les outils de coupe aiguisés et propres. Des outils de coupe bien entretenus, aux arêtes de coupe aiguisées, se coincent moins et sont plus faciles à guider.

g) Utiliser l'outil électrique, les accessoires, les outils d'insertion, etc. conformément à ces instructions.

Tenir compte des conditions de travail et de l'activité à réaliser. Toute utilisation des outils électriques dans des buts autres que ceux prévus peut entraîner des situations de danger.

h) Veiller à ce que les poignées et leurs surfaces de préhension soient sèches, propres et exemptes d'huile et de graisse. Des poignées et surfaces de préhension de poignées glissantes compromettent la sécurité d'utilisation et de contrôle de l'outil électrique dans les situations inattendues.

Entretien

a) Ne confier la réparation de l'outil électrique qu'à des spécialistes qualifiés et utiliser uniquement des pièces de rechange d'origine. Ainsi, la sécurité de l'outil électrique est garantie.

Consignes de sécurité applicables aux foreuses

a) La perceuse doit être parfaitement maintenue en place. Une perceuse mal fixée peut se déplacer ou basculer et provoquer des blessures.

b) La pièce à usiner doit être serrée ou fixée sur le support de pièce. Ne percez pas de pièces trop petites pour être correctement maintenues. Si vous tenez la pièce à la main, vous risquez de vous blesser.

c) Ne portez pas de gants. Les gants peuvent être happés par les éléments en mouvements ou par les copeaux, il y a un fort risque de blessure.

d) Maintenez vos mains à distance de la zone de perçage pendant que l'outil électrique est en marche. Le contact avec les éléments en rotations ou avec les copeaux peut provoquer des blessures.

e) Le foret doit tourner avant d'être guidé vers la pièce à usiner. Sinon il risque de se gripper dans la pièce, de provoquer un déplacement imprévu de la pièce à usiner et d'être à l'origine de blessures.

f) Si le foret se bloque, ne continuez pas à appuyer vers le bas et arrêtez la perceuse. Examinez la situation et éliminez la cause du blocage. Le blocage peut provoquer un déplacement imprévu de la pièce à usiner et être à l'origine de blessures.

g) Évitez de produire des copeaux longs en interrompant la pression vers le bas à intervalles réguliers. Les copeaux de métal peuvent s'emmêler et provoquer des blessures.

h) N'essayez jamais d'enlever des copeaux de la zone de perçage pendant que la perceuse tourne. Pour éliminer les copeaux, relevez le foret, arrêtez la perceuse et attendez l'arrêt complet du foret. Utilisez un accessoire, tel qu'une brosse métallique ou un crochet pour enlever les copeaux. Le contact avec les éléments en rotation ou avec les copeaux peut être à l'origine de blessures.

i) La vitesse maximale admissible des outils de coupe utilisés doit être égale au régime maximum indiqué pour l'outil électrique. Un foret qui tourne au-dessus de sa vitesse maximale admissible peut se rompre et être projeté.



Attention: Rayon Laser
Ne pas regarder le rayon
Classe de laser 2



Protégez-vous et votre environnement en appliquant des mesures de prévention des accidents adaptées !

- Ne pas regarder directement le rayon laser.
- Ne jamais regarder directement dans le trajet du faisceau.
- Ne jamais orienter le rayon laser vers des surfaces réfléchissantes, des personnes ou des animaux. Un rayon laser à faible puissance suffit à endommager les yeux.
- Prudence - une utilisation différente de celle indiquée ici peut causer une exposition dangereuse au rayonnement.
- Ne jamais ouvrir le module laser. Une exposition inattendue au rayon pourrait survenir.
- Le laser ne doit pas être remplacé par un laser d'un autre type.
- Les réparations sur le laser ne doivent être réalisées que par le fabricant du laser ou un représentant agréé.

- Marquage et positionnement des étiquettes de prévention autocollantes (voir ill. 8 et 9).

⚠ AVERTISSEMENT ! Pendant son fonctionnement, cet outil électrique génère un champ électromagnétique. Ce champ peut dans certaines circonstances nuire aux implants médicaux actifs ou passifs. Pour réduire les risques de blessures graves voire mortelles, nous recommandons aux personnes porteuses d'implants médicaux de consulter leur médecin, ainsi que le fabricant de leur implant avant d'utiliser l'outil électrique.

Risques résiduels

Même en cas d'utilisation conforme de cet outil électrique, des risques résiduels subsistent. Les dangers suivants peuvent survenir du fait de la construction et de la version de cet outil électrique :

- Lésions des poumons en l'absence de masque de protection contre les poussières adapté.
- Troubles auditifs en l'absence de protection auditive adaptée.
- Problèmes de santé suite à l'exposition des mains et des bras aux vibrations, si l'appareil est utilisé pendant une longue période ou s'il n'a pas été utilisé ou entretenu dans les règles de l'art.

7. Caractéristiques techniques

Moteur à courant alternatif.....	220 - 240 V~ 50 Hz
Puissance nominale S1	710 Watt
Mode de fonctionnement	S2 5min* 900W
Régime ralenti n_0	500 - 2600 min ⁻¹
Capacité de serrage du mandrin	1,5 - 13 mm
Course de perçage max.....	70 mm
Dimensions de la plaque de base.....	320 x 305 mm
Distance entre le mandrin de perceuse et la plaque de sol	280 mm
Poids approx.....	8,3 kg
Classe de protection	II /
Classe du laser	2
Longueur d'onde du laser.....	650 nm
Puissance du laser.....	< 1 mW

* Lors d'une durée d'utilisation ininterrompue de 5 minutes, une pause doit être faite jusqu'à ce que la température de l'appareil diffère de moins de 2 K (2 °C) de la température ambiante.

La pièce à usiner doit avoir une épaisseur de 3 mm et une largeur de 45 mm au minimum.

Veiller à ce que la pièce à travailler soit toujours fixée avec le dispositif de serrage.

Les pièces à usiner en surplomb doivent, le cas échéant, être soutenues latéralement à l'aide de supports supplémentaires.

Bruit

Les valeurs acoustiques ont été calculées conformément à la norme EN 62841.

Niveau de pression sonore L_{pA}	89,6 dB(A)
Incertitude K_{pA}	3 dB
Niveau de puissance sonore L_{WA}	102,6 dB(A)
Incertitude K_{WA}	3 dB

Portez une protection auditive.

Les nuisances sonores peuvent entraîner une perte d'audition. Les valeurs d'émission de bruit ont été mesurées selon un processus d'essai normalisé et peuvent servir à comparer les valeurs d'un outil électrique à un autre.

Les valeurs d'émission de bruit indiquées peuvent être utilisées également afin de réaliser une estimation préalable de la charge.

Avertissement :

- Les émissions sonores peuvent varier par rapport aux valeurs indiquées lors de l'utilisation réelle de l'outil électrique selon la manière dont l'outil électrique est utilisé, en particulier, selon le type de pièce usinée traitée.
- Essayez de minimiser les contraintes autant que possible. À titre d'exemple : limitez le temps de travail. Tenez compte de l'ensemble du cycle de travail (par exemple, les durées pendant lesquelles l'outil est éteint et les durées pendant lesquelles il est en marche, mais non utilisé).

8. Avant la mise en service

- Ouvrez l'emballage et sortez-en délicatement l'appareil.
- Retirer le matériau d'emballage, ainsi que les protections d'emballage et de transport (s'il y a lieu).
- Vérifiez que les fournitures sont complètes.
- Vérifiez que l'appareil et les accessoires n'ont pas été endommagés lors du transport.
- Conservez si possible l'emballage jusqu'à la fin de la période de garantie.

ATTENTION

L'appareil et les matériaux d'emballage ne sont pas des jouets ! Les enfants ne doivent pas jouer avec les sacs en plastique, films d'emballage et pièces de petite taille ! Il existe un risque d'ingestion et d'étouffement !

Avant de raccorder la machine, vérifiez que les indications figurant sur la plaque signalétique correspondent aux données du secteur.

- Vérifiez que l'outil n'a pas subi de dommages lors du transport. Faites part d'éventuels dommages immédiatement au transporteur qui a livré l'outil.
- Évitez d'utiliser des rallonges électriques trop longues.
- N'utilisez pas cet outil électrique dans un environnement humide ou mouillé.
- Cet outil électrique doit être utilisé exclusivement dans des emplacements adaptés et bien ventilés.

9. Montage

⚠ Attention !

Avant la mise en service, monter impérativement l'appareil en entier !

⚠ Assurez-vous, avant de brancher l'outil au réseau, que les données figurant sur la plaque signalétique correspondent aux valeurs du réseau électrique.

⚠ **Avertissement !** Toujours débrancher la fiche secteur avant d'effectuer des réglages sur l'appareil.

9.1 Montage de la plaque de base et de la colonne (ill. 2)

1. Poussez le dispositif de serrage rapide (2) sur la colonne (3).
2. Insérez la colonne (3) dans la plaque de base (1) de façon à ce que l'ergot de guidage situé au bas de la colonne (3) s'enclenche dans la rainure de la plaque de base (1).
3. Serrez les vis de fixation prémontées (A) à l'arrière du socle (1) avec la clé Allen (21).

9.2 Montage de la butée parallèle (ill. 4)

1. Introduisez la butée parallèle (16) dans les rainures de la plaque de base (1).
2. Veillez les arrêts qui se trouvent sous les vis papillon (15) de la butée parallèle soient en face des rainures.
3. Amenez la butée parallèle (16) à la position désirée et serrez les vis papillon (15) de la butée parallèle.

9.3 Montage de la poignée (ill. 2)

1. Retirez la vis de fixation prémontée (B).
2. Veillez au positionnement correct de l'entretoise (13).
3. Insérez la poignée (8) dans le logement (G) comme illustré sur la figure 2.
4. Insérez l'écrou (C) dans l'évidement de la poignée (8) et serrez la vis de fixation (B).

9.4 Montage de la butée de profondeur (Fig. 2)

1. Insérez la butée de profondeur (7) depuis le haut dans l'évidement du boîtier.
2. Montez le levier de blocage de la butée de profondeur (6) comme illustré sur la figure 2.

9.5 Montage sur un plan de travail (ill. 4)

Fixez l'appareil sur un plan de travail en vissant la plaque de base (1).

10. Commande

10.1 Réglage de la hauteur (ill. 2, 3)

La position de la tête de la machine peut être réglée en fonction de l'épaisseur de la pièce à usiner ou de la longueur de l'outil utilisé.

1. Tenez la poignée (8).
2. Desserrez le levier de blocage de la hauteur (5).
3. Déterminez la position de la tête de la machine en fonction de la poignée (8).
4. Fixez la position de la tête de la machine à l'aide du levier de blocage de la hauteur (5).

Attention ! Dans la position la plus basse de la tête de la machine, veillez à ne pas déplacer celle-ci au-delà du marquage (23).

Sécurisez la tête de la machine dans cette position avec le levier de blocage de la hauteur (5). Sans quoi, le guidage risque d'être endommagé.

10.2 Réglage de la profondeur de perçage (ill. 1, 11)

La butée de profondeur (7) permet de déterminer la profondeur de perçage.

1. Déverrouillez le levier de blocage de la butée de profondeur (6).

2. Procédez à un perçage d'essai. Dès que vous avez atteint la profondeur souhaitée, serrez à nouveau le levier de serrage de la butée de profondeur (6).
3. La butée de profondeur (7) est maintenant bloquée à la profondeur de perçage souhaitée.
4. Vérifiez ensuite la position de la butée de profondeur. Si la cote indiquée ne correspond pas à la profondeur de perçage réelle, le pointeur (9) peut être ajusté.
 - Desserrez la vis cruciforme (19) du pointeur (9).
 - Insérez le pointeur (9) dans la position qui convient sur l'échelle (20).
 - Resserrez la vis cruciforme (19).

10.3 Serrage/Desserrage du foret (ill. 5, 6)

Prudence ! Ne laissez pas la clé à mandrin se coincer. Risque de blessure en cas de projection de la clé à mandrin.

10.3.1 Serrage

1. Insérez la clé à mandrin (22).
2. Faites tourner la clé à mandrin (22) dans le sens inverse des aiguilles d'une montre pour ouvrir le manchon de serrage (D).
3. Insérez l'outil auxiliaire (E).
4. Tenez fermement l'outil auxiliaire (E).
5. Faites tourner la clé à mandrin (22) dans le sens des aiguilles d'une montre pour fermer le manchon de serrage (D) et fixer l'outil auxiliaire.
6. Vérifiez que l'outil auxiliaire (E) est bien fixé.
7. Retirez la clé à mandrin (22).

10.3.2 Desserrage

1. Insérez la clé à mandrin (22).
2. Faites tourner la clé à mandrin (22) dans le sens inverse des aiguilles d'une montre jusqu'à ce que vous puissiez retirer l'outil auxiliaire (E).
3. Retirez la clé à mandrin (22).

10.4 Positionnement de la pièce à usiner (ill. 1)

1. Activez le laser lignes croisées au moyen de l'interrupteur On/Off (18).
2. L'intersection des deux rayons laser vous indique exactement le centre du perçage.
3. Positionnez le marquage que vous avez fait sur la pièce à l'aide de la croix du laser.

10.5 Maintien de la pièce à usiner (ill. 7)

La pièce à usiner doit être maintenue de manière sûre. N'essayez jamais d'usiner les pièces qui ne peuvent pas être maintenues. L'encoche du dispositif de serrage rapide doit être centrée par rapport au perçage, sinon le foret ou le mandrin peut être bloqué par le dispositif de serrage rapide.

1. Positionnez la pièce à l'aide du laser en croix.
2. Desserrez la vis à serrage rapide (17).
3. Faites reposer le dispositif de serrage rapide (2) sur la pièce à usiner.
4. Faites tourner la vis à serrage rapide (17) dans le sens des aiguilles d'une montre afin de serrer la pièce usinée.
5. Pour desserrer le tendeur rapide (2), faites tourner la vis à serrage rapide (17) dans le sens inverse des aiguilles d'une montre.

10.6 Maintien de grandes pièces (ill. 7)

Pour les grandes pièces, utilisez la butée parallèle (16):

1. Desserrez les vis papillon (15) de la butée parallèle et mettez la butée parallèle en place (16) dans les rainures de la plaque de base.
2. Serrez fermement les vis papillon (15) de la butée parallèle.
3. Positionnez votre pièce contre la butée parallèle (16) et serrez-la à l'aide du dispositif de serrage rapide (2).

Avertissement ! Veillez à supporter correctement les pièces qui sont plus larges ou plus longues que la surface supérieure de la table de la machine, en utilisant, par exemple, des tréteaux ou des servantes.

Les pièces qui sont plus larges ou plus longues que la plaque de base de la perceuse à colonne, peuvent basculer si elles ne sont pas correctement soutenues. Si la pièce bascule, elle peut endommager la protection du mandrin ou le foret.

10.7 Réglage du régime (ill. 1)

Le régime de perçage correct dépend du matériau de la pièce à usiner et du diamètre du foret.

10.7.1 Réglage électronique du régime

Au moyen du dispositif électronique de réglage du régime, vous pouvez régler le régime en continu :

Au moyen du régulateur de vitesse (12), réglez le régime.

Le repère sur le régulateur de vitesse (12) permet de connaître le régime actuel.



10.8 Marche/Arrêt (ill. 1)

Marche: Actionnez l'interrupteur (11) pour mettre l'appareil en marche.

Arrêt: Appuyez sur l'interrupteur (10) pour arrêter l'appareil.

10.9 Perçage (ill. 1, 7)

1. Positionnez la pièce et serrez-la.
2. Mettez l'appareil en route et réglez le régime.
3. Pour percer, faites tourner la poignée (8) en avançant régulièrement jusqu'à atteindre la profondeur de perçage désirée. Lors du perçage de métal, interrompez brièvement l'opération pour couper les copeaux.
4. Une fois atteinte la profondeur de perçage, ramenez la poignée (8) à sa position initiale.
5. N'arrêtez pas l'appareil.

11. Transport

Avertissement ! Avant le transport, débranchez la fiche secteur !

- Pour transporter l'appareil, tenez-le par sa plaque de base (1).

12. Nettoyage et maintenance

Avertissement ! Avant tout réglage, entretien ou réparation, débrancher le connecteur secteur !

12.1 Maintenance générale

Confier les travaux qui ne sont pas décrits dans le mode d'emploi à notre atelier spécialisé. Utilisez uniquement des pièces d'origine. Laisser l'appareil refroidir avant tout travail de maintenance et de nettoyage.

Il y a des risques de brûlures !

Avant chaque utilisation, contrôlez l'appareil pour détecter des défauts apparents tels que des pièces desserrées, usagées ou endommagées et contrôlez le bon serrage des vis et autres éléments. Remplacez les pièces défectueuses.

12.2 Nettoyage

N'utilisez ni détergent, ni solvant. Les substances chimiques sont susceptibles d'attaquer les pièces en plastique de l'appareil. Ne jamais nettoyer l'appareil sous l'eau courante.

- Nettoyer soigneusement l'appareil après chaque utilisation.
- Nettoyer les ouvertures d'aération et la surface de l'appareil avec une brosse douce, un pinceau ou un chiffon.
- Éliminer les copeaux, la poussière et les impuretés au besoin avec un aspirateur.
- Lubrifier régulièrement les pièces mobiles.

12.3 Entretien

L'appareil ne comporte aucune pièce nécessitant un entretien.

12.4 Remplacement du mandrin (ill. 1, 5, 10)

Avertissement ! Débrancher la fiche secteur !

Outils nécessaires (non compris dans la livraison):

1 x clé à fourche de 27 mm

- Retirez l'outil auxiliaire, comme indiqué au chapitre 10.3.2.
- Serrez fermement le manchon de serrage (D) en tournant la clé à mandrin (22) dans le sens des aiguilles d'une montre.
- Tenez fermement le mandrin de perceuse (14) d'une main tout en déplaçant l'écrou (F) vers le bas dans le sens des aiguilles d'une montre au moyen de la clé plate (27 mm).
- Dès que le mandrin de perceuse (14) est desserré de la fixation de l'arbre, il peut être retiré.
- Fixez le nouveau mandrin de perceuse en procédant dans l'ordre inverse.

Lors du remplacement du mandrin, utilisez exclusivement les mandrins homologués par le fabricant.

Référence : 390 6814 001

12.5 Informations concernant le service après-vente

Notez que, pour ce produit, les composants suivants sont soumis à une usure naturelle ou due à l'utilisation et que les composants suivants sont nécessaires en tant que consommables.

Pièces d'usure*: Charbons, foret

* ne sont pas des composants obligatoires de la livraison !

13. Stockage

Entreposez l'appareil et ses accessoires dans un lieu sombre, sec et à l'abri du gel. En outre, ce lieu doit être hors de portée des enfants. La température de stockage optimale se situe entre 5 et 30 °C.

Conserver l'outil électrique dans l'emballage d'origine.

Recouvrir l'outil électrique afin de le protéger de la poussière ou de l'humidité.

Conserver la notice d'utilisation à proximité de l'outil électrique.

14. Raccordement électrique

Le moteur électrique installé est prêt à fonctionner une fois raccordé. Le raccordement correspond aux dispositions de la VDE et DIN en vigueur. Le branchement au secteur effectué par le client ainsi que la rallonge électrique utilisée doivent correspondre à ces prescriptions.

14.1 Consignes importantes

En cas de surcharge du moteur, ce dernier s'arrête de lui-même. Après un temps de refroidissement (d'une durée variable), le moteur peut être remis en marche.

14.2 Ligne de raccordement électrique défectueuse

Des détériorations de l'isolation sont souvent présentes sur les lignes de raccordement électriques.

Les causes peuvent en être :

- Des points de pression, si les lignes de raccordement passent par des fenêtres ou interstices de portes.
- Des pliures dues à une fixation ou à un cheminement incorrects des lignes de raccordement.
- Des points d'intersection si les lignes de raccordement se croisent.
- Des détériorations de l'isolation dues à un arrachement hors de la prise murale.
- Des fissures dues au vieillissement de l'isolation.

Des lignes de raccordement électriques endommagées de la sorte ne doivent pas être utilisées et, en raison de leur isolation défectueuse, sont mortellement dangereuses.

Vérifier régulièrement que les lignes de raccordement électriques ne sont pas endommagées. Assurez-vous que la ligne de raccordement ne soit pas raccordée au réseau lors de la vérification.

Les lignes de raccordement électriques doivent correspondre aux dispositions VDE et DIN en vigueur. N'utilisez que des lignes de raccordement dotées du signe H05VV-F.

L'indication de la désignation du type sur la ligne de raccordement est obligatoire.

S'il est nécessaire de remplacer le câble de raccordement, le fabricant ou son représentant doit s'en charger afin d'éviter les risques pour la sécurité.

14.3 Moteur à courant alternatif

La tension du réseau doit être de 220 - 240 V~ 50 Hz.

- Les rallonges d'une longueur max. de 25 m doivent présenter une section de 1,5 mm².

Les raccordements et réparations sur l'équipement électrique ne doivent être effectués que par un électricien spécialisé.

Pour toute question, veuillez indiquer les données suivantes :

- Type de courant du moteur
- Données figurant sur la plaque signalétique du moteur

15. Élimination et recyclage

L'appareil est livré sous emballage afin d'être protégé des dommages liés au transport. Cet emballage est une matière première. En tant que telle, il est réutilisable ou peut rejoindre le cycle de revalorisation des matières premières.

L'appareil et ses accessoires sont fabriqués en différents matériaux, par exemple, métal et matières plastiques. Confiez les composants défectueux à l'élimination des déchets spéciaux.

En cas de questions, adressez-vous à une entreprise spécialisée ou à la municipalité !



L'emballage est composé de matériaux écologiques que vous pouvez déposer auprès d'un centre de recyclage local.

Pour connaître les possibilités d'élimination de l'appareil usé, adressez-vous aux autorités communales ou municipales.

Les appareils usés ne doivent pas être jetés avec les ordures ménagères !



Ce symbole signifie que le produit ne peut pas être jeté avec les ordures ménagères, conformément à la « Directive sur les déchets d'équipements électriques et électroniques (2012/19/UE) » et aux lois nationales. Ce produit doit être déposé dans un point de collecte prévu à cet effet. Cela peut se faire en rendant l'appareil lors de l'achat d'un produit similaire ou en le déposant auprès d'un point de collecte habilité à recycler les appareils électriques et électroniques usés. Une manipulation incorrecte des appareils usés peut avoir des effets négatifs sur l'environnement et la santé en raison des matières dangereuses souvent contenues dans les appareils électriques et électroniques usés. Une mise au rebut correcte du produit vous permet en outre de participer à une utilisation efficace des ressources naturelles. Les informations relatives aux points de collecte pour appareils usés sont disponibles auprès de la mairie, des services de collecte locaux, de tout point habilité à éliminer les appareils électriques et électroniques usés ainsi qu'auprès de votre service de collecte des déchets.

16. Dépannage

Panne	Cause possible	Remède
L'appareil ne démarre pas	Moteur, câble ou prise défectueux, le disjoncteur de la maison se déclenche.	Vérifiez la prise, la ligne de raccordement au réseau, le câble d'alimentation, la fiche et faites effectuer la réparation par un électricien qualifié. Vérifiez le disjoncteur et les fusibles.
	Interrupteur Marche/Arrêt (11/10) défectueux.	Réparation par le service clientèle
	Moteur défectueux	Réparation par le service clientèle
Fortes vibrations.	Plaque de base (1) non fixée.	Fixez l'appareil correctement sur l'établi ou un support équivalent.
	Foret non centré lors de son serrage dans le mandrin.	Vérifiez le positionnement du foret dans le mandrin (14).
Le moteur surchauffe facilement.	Le moteur est surchargé, le refroidissement est insuffisant.	Évitez de faire surchauffer le moteur pendant le perçage. Éliminez la poussière qui s'est déposée sur le moteur pour obtenir un refroidissement optimal.
Le moteur est trop bruyant	Bobinages endommagés, moteur défectueux.	Faites vérifier par le service après-vente

17. Certificat de garantie

Chère Cliente, Cher Client,

Nos produits sont soumis à un contrôle de qualité très strict. Si cet appareil devait toutefois ne pas fonctionner impeccablement, nous en serions désolés. Dans un tel cas, nous vous prions de bien vouloir prendre contact avec notre service après-vente à l'adresse indiquée sur le bulletin de garantie ou vous adresser au marché de la construction le plus proche. Pour faire valoir une demande de garantie, ce qui suit est valable :

1. Les conditions de garantie règlent les prestations de garantie supplémentaires. Vos droits de garantie légaux ne sont en rien altérés par la garantie présente. Notre prestation de garantie est gratuite.
2. La prestation de garantie s'applique exclusivement aux défauts occasionnés par des vices de fabrication ou de matériau et est limitée à l'élimination de ces défauts ou encore au remplacement de l'appareil. Veillez au fait que nos appareils, conformément à leur affectation, n'ont pas été construits pour être utilisés dans un environnement professionnel, industriel ou artisanal. Un contrat de garantie ne peut avoir lieu dès lors que l'appareil est utilisé à des activités dans des entreprises professionnelles, artisanales ou industrielles ou toute autre activité du même genre. Sont également exclus de notre garantie : les prestations de substitution de dommages dus aux transports, les dommages occasionnés par le non-respect des instructions de montage ou en raison d'une installation non conforme, du non-respect du mode d'emploi (comme par exemple le raccordement à une mauvaise tension réseau ou à un mauvais type de courant), les applications abusives ou non conformes (comme par exemple une surcharge de l'appareil ou encore l'emploi d'accessoires non homologués), le non-respect des prescriptions de maintenance et de sécurité, l'infiltration de corps étrangers dans l'appareil (comme par exemple du sable, des pierres ou de la poussière), l'emploi de la force ou l'influence extérieure (comme par exemple les dommages dus à une chute), ainsi que l'usure normale conforme à l'utilisation. Ceci est particulièrement valable pour les accumulateurs pour lesquels nous offrons toutefois une période de garantie de 12 mois.

Le droit à la garantie disparaît dès lors que des interventions ont lieu sur l'appareil.

3. Le délai de garantie s'élève à 3 ans et commence à la date de l'achat de l'appareil. Les demandes de garanties doivent être présentées avant écoulement du délai de garantie, dans les deux semaines suivant le moment auquel le défaut a été reconnu. Toute reconnaissance de demande de garantie après écoulement du délai de garantie est exclue. La réparation ou l'échange de l'appareil n'entraîne nullement une prolongation de la durée de garantie. Elle ne fait pas non plus commencer un nouveau délai de garantie, en raison de cette prestation, pour l'appareil ou pour toute autre pièce de rechange intégrée. Ceci est également valable lorsqu'un service après-vente sur place a été consulté.
4. Pour faire valoir votre droit à la garantie, contactez le service après-vente à l'adresse indiquée ci-dessous. Si vous formulez votre réclamation pendant la période de validité de la garantie, nous vous ferons parvenir un bon de retour qui vous permettra de nous retourner sans frais l'appareil défectueux. Décrivez la raison de la réclamation le plus précisément possible. Si le défaut de l'appareil est compris dans notre prestation de garantie, nous vous retournerons sans délai un appareil réparé ou encore un nouveau.

Hotline du service (FR):

+800 4003 4003
(0,00 €/Min.)

Service-hotline (BE):

+800 4003 4003
(0,00 €/Min.)

Email du service (FR):

service.FR@schepach.com

E-mailadres (BE):

service.BE@schepach.com

Adresse du service (FR):

Schepach France Strassburg
2, Impasse Jean Millot
FR - 6700 Strasbourg

Serviceadres (BE):

EURO Elektrowerkzeug- und Maschinen Service
Bürgerbuschweg 20
DE - 51381 Leverkusen



À l'adresse www.lidl-service.com, vous pouvez télécharger ce manuel et bien d'autres, les vidéos de produit et les logiciels d'installation.

Le QR-Code vous permet d'accéder directement à la page de service Lidl (www.lidl-service.com) et d'ouvrir votre notice d'utilisation à l'aide du numéro d'article (IAN) 361816_2010.

1.	Verklaring van de symbolen op het apparaat	34
2.	Inleiding	35
3.	Beschrijving van het toestel (afb. 1-11)	35
4.	Meegeleverd	35
5.	Beoogd gebruik	35
6.	Veiligheidsvoorschriften	36
7.	Technische gegevens	38
8.	Voor de ingebruikname	38
9.	Montage	38
10.	Bediening	39
11.	Transport	40
12.	Reiniging en onderhoud	40
13.	Opslag	41
14.	Elektrische aansluiting	41
15.	Afvalverwerking en hergebruik	41
16.	Verhelpen van storingen	42
17.	Garantiebewijs	43
18.	Conformiteitsverklaring	99

1. Verklaring van de symbolen op het apparaat

	<p>(NL) (BE)</p>	<p>Waarschuwing! Bij het niet in acht nemen, bestaat levensgevaar, gevaar voor letsel of beschadiging aan het werktuig!</p>	
	<p>(NL) (BE)</p>	<p>Lees voorafgaand aan de inbedrijfstelling de gebruikshandleiding en de veiligheidsvoorschriften!</p>	
	<p>(NL) (BE)</p>	<p>Draag een veiligheidsbril!</p>	
	<p>(NL) (BE)</p>	<p>Draag gehoorbescherming!</p>	
	<p>(NL) (BE)</p>	<p>Bescherm de luchtwegen bij stofontwikkeling!</p>	
	<p>(NL) (BE)</p>	<p>Draag lang haar niet los. Gebruik een haarnetje.</p>	
	<p>(NL) (BE)</p>	<p>Draag geen handschoenen.</p>	
	<p>(NL) (BE)</p>	<p>Beschermingsklasse II (dubbel geïsoleerd)</p>	
 <div style="border: 1px solid black; padding: 2px;"> <p>Achtung! - Laserstrahlung Nicht in den Strahl blicken! Laser Klasse 2 Laserspezifikation nach EN 60825-1:2014 λ = 650 nm P < 1 mW</p> </div>	<p>(NL) (BE)</p>	<p>Let op! Laserstraling</p>	<p>afb. 8, 9</p>

2. Inleiding

FABRIKANT:

scheppach

Fabrikation von Holzbearbeitungsmaschinen GmbH
Günzburger Straße 69
D-89335 Ichenhausen

GEACHTE KLANT,

Wij wensen u veel plezier en succes bij het werken met uw nieuwe apparaat.

AANWIJZING:

De fabrikant van dit apparaat is volgens de van kracht zijnde wet inzake productaansprakelijkheid niet aansprakelijk voor schade die aan dit apparaat of door dit apparaat ontstaan bij:

- ondeskundige behandeling,
- veronachtzaming van de instructies voor de bediening,
- reparaties door derden, niet geautoriseerde vakmensen,
- inbouw en vervanging van niet-originele onderdelen,
- niet doelmatig gebruik,
- uitvallen van de elektrische installatie bij het niet in acht nemen van de elektrische voorschriften en VDE-voorschriften 0100, DIN 57113 / VDE0113.

Let op:

Lees voor de montage en voor de ingebruikname de complete tekst van de gebruikshandleiding door.

De gebruiksaanwijzing is bedoeld om het gemakkelijker te maken, uw apparaat te leren kennen en de beoogde toepassingsmogelijkheden van het apparaat te benutten.

De gebruikshandleiding bevat belangrijke aanwijzingen, hoe u met het apparaat veilig, vakkundig en economisch werkt en hoe u gevaren vermijdt, reparatiekosten uitspaart, uitvaltijden vermindert en de betrouwbaarheid en levensduur van het apparaat verhoogt.

Aanvullend op de veiligheidsbepalingen van deze gebruikshandleiding moet u absoluut de voor de werking van het apparaat geldende voorschriften van uw land in acht nemen.

Bewaar de gebruiksaanwijzing bij het apparaat in een plastic hoes, beschermd tegen vuil en vocht. De gebruiksaanwijzing moet door elke bediener van het apparaat voor aanvang van het werk gelezen en zorgvuldig nageleefd worden.

Aan het apparaat mogen alleen personen werken, die voor het gebruik van het apparaat geïnstrueerd en over de daarmee verbonden gevaren geïnformeerd zijn. De vereiste minimumleeftijd moet aangehouden worden.

Naast de in deze gebruikshandleiding opgenomen veiligheidsvoorschriften en de bijzondere voorschriften van uw land moet u de algemeen erkende technische voorschriften in acht nemen voor de werking van machines van hetzelfde type.

Wij kunnen niet aansprakelijk worden gesteld voor ongevallen of schade, veroorzaakt door niet-naleving van deze handleiding of de veiligheidsvoorschriften.

3. Beschrijving van het toestel (afb. 1-11)

1. Grondplaat
2. Snelspanner
3. Kolom
4. Tandheugel hoogteverstelling
5. Klemhendel hoogteverstelling
6. Klemhendel diepteaanslag
7. Diepteaanslag
8. Handgreep
9. Aanwijzer diepteaanslag
10. Uitschakelaar
11. Aan-schakelaar
12. toerenregelaar
13. Afstandhouder
14. boorkop
15. Vleugelschroeven voor parallelaanlag
16. Parallelaanlag
17. Snelspannschroef
18. Aan/uitschakelaar laser
19. Kruiskopschroef (aanwijzer)
20. Schaalverdeling
21. Inbussleutel, 4 mm
22. Boorkopsleutel
23. Markering

4. Meegeleverd

- 1 Boormachine
- 1 Snelspanner (2)
- 1 Grondplaat (1)
- 1 Parallelaanlag (16)
- 1 Afstandhouder (13)
- 1 Handgreep (8)
- 1 Diepteaanslag (7)
- 1 Klemhendel (6)
- 1 Inbussleutel, 4 mm (21)
- 1 Boorkopsleutel (22)
- 1 Gebruikshandleiding
- 1 Montagemateriaal

5. Beoogd gebruik

De kolomboormachine is ontworpen voor het boren in metaal, hout, kunststof en tegels.

Spanbereik boorkop: 1,5 - 13 mm.

Het apparaat is bedoeld voor gebruik door doe-het-zelvers. Het is niet ontworpen voor continu commercieel gebruik. Het apparaat is niet bedoeld voor gebruik door personen jonger dan 16 jaar. Jongeren vanaf 16 jaar mogen het apparaat alleen onder toezicht gebruiken. De fabrikant is niet aansprakelijk voor schade die het gevolg is van oneigenlijk gebruik of onjuiste bediening.

Let erop dat onze apparaten volgens het beoogd gebruik niet voor bedrijfsmatige, ambachtelijke of industriële toepassingen zijn ontworpen. Wij aanvaarden geen aansprakelijkheid wanneer het apparaat in bedrijfsmatige, ambachtelijke of industriële ondernemingen of bij soortgelijke werkzaamheden wordt ingezet.

6. Veiligheidsvoorschriften

Algemene veiligheidsvoorschriften voor elektrische apparaten

⚠ WAARSCHUWING! Lees alle veiligheidsvoorschriften, aanwijzingen, afbeeldingen en technische gegevens die bij dit elektrisch apparaat zijn meegeleverd. Het niet naleven van de onderstaande aanwijzingen kunnen elektrische schok, brand en/of ernstige verwondingen veroorzaken.

Bewaar alle veiligheidsvoorschriften en -aankwijzingen voor toekomstig gebruik.

Het in de veiligheidsvoorschriften gebruikte begrip "Elektrisch gereedschap" is van toepassing op netgevoed elektrisch gereedschap (met netsnoer) of op accugevoed elektrisch gereedschap (zonder netsnoer).

Veiligheid op de werkplek

- a) **Houd uw werkomgeving schoon en goed verlicht.**
Rommel of slecht verlichte werkplaatsen kunnen leiden tot ongevallen.
- b) **Werk met het elektrisch gereedschap niet in een explosiegevaarlijke omgeving, waarin zich brandbare vloeistoffen, gas of stof bevinden.**
Elektrisch gereedschap kan vonken veroorzaken, die het stof of de dampen kunnen ontsteken.
- c) **Houd kinderen en andere personen tijdens het gebruik uit de buurt van het elektrische gereedschap.**
Bij afbuiging kunt u de controle over het elektrische apparaat verliezen.

Elektrische veiligheid

- a) **De aansluitstekker van het elektrische gereedschap moet in het stopcontact passen.**
De stekker mag op geen enkele wijze worden gewijzigd. Gebruik geen adapterstekker samen met geaard elektrisch gereedschap. Ongewijzigde stekkers en passende stopcontacten verminderen het risico op elektrische schok.
- b) **Let op dat uw lichaam geen contact maakt met geaarde onderdelen zoals bijv. buizen, radiatoren, elektrische haarden, koelkasten. Er bestaat een verhoogd risico op een elektrische schok als uw lichaam geaard is.**
- c) **Houd elektrisch gereedschap uit de buurt van regen of vocht.**
Het indringen van water in een elektrisch apparaat vergroot het risico op een elektrische schok.
- d) **Gebruik het snoer niet om het elektrische gereedschap te dragen, aan op te hangen of om de stekker uit het stopcontact te trekken.**
Houd het snoer uit de buurt van hitte, scherpe randen of bewegende delen. Beschadigde of opgewikkelde snoeren verhogen het risico op een elektrische schok.

- e) **Als u met een elektrisch gereedschap in de open lucht werkt, gebruik dan alleen een verlengsnoer dat ook geschikt is voor gebruik buiten.**
Het gebruik van een voor buiten geschikt verlengsnoer vermindert het risico op een elektrische schok.
- f) **Als het gebruik van het elektrische gereedschap in een vochtige omgeving niet kan worden vermeden, gebruik dan een aardlekschakelaar.**
Het gebruik van een aardlekschakelaar voorkomt het risico op een elektrische schok.

Veiligheid van personen

- a) **Wees altijd voorzichtig, let op waar u mee bezig bent en ga verstandig te werk bij werkzaamheden met elektrisch gereedschap. Maak geen gebruik van elektrisch gereedschap als u moe bent of onder invloed bent van drugs, alcohol of medicamenten.** Een moment van onachtzaamheid bij gebruik van het elektrisch gereedschap kan leiden tot ernstig letsel.
- b) **Draag persoonlijke beschermingsmiddelen en ook altijd een veiligheidsbril.**
Het dragen van persoonlijke beschermingsmiddelen zoals een stofmasker, antislip-veiligheidsschoenen, een helm of gehoorbescherming, al naar gelang het soort gereedschap en de toepassing ervan, verkleint het risico op verwondingen.
- c) **Voorkom onbedoelde inbedrijfstelling. Controleer of het elektrisch gereedschap is uitgeschakeld voordat u het op de stroomvoorziening en/of de accu aansluit, het gereedschap oppakt of draagt.** Als u tijdens het dragen van het elektrische gereedschap uw vinger op de schakelaar hebt of het reeds ingeschakelde elektrische apparaat op de stroomvoorziening aansluit, kan dit tot letsel en ongevallen leiden.
- d) **Verwijder instelgereedschap of steeksleutels voordat u het elektrisch gereedschap inschakelt.**
Een gereedschap of sleutel dat/die zich in een draaiend onderdeel van het elektrische gereedschap bevindt, kan verwondingen veroorzaken.
- e) **Voorkom een onnatuurlijke lichaamshouding. Zorg voor een stabiele positie en zorg ervoor dat u altijd stabiel staat.** Daardoor kunt u het elektrische gereedschap in onverwachte situaties beter onder controle houden.
- f) **Draag geschikte kleding. Draag geen wijde kleding of sieraden. Houd haren, kleding en handschoenen uit de buurt van bewegende delen.** Loszittende kleding, sieraden of lange haren kunnen worden vastgegrepen door bewegende delen.
- g) **Als er stof- en opvangrichtingen gemonteerd kunnen worden, moet u controleren of deze aangesloten zijn en correct worden gebruikt.**
Het gebruik van een stofafzuiging kan gevaar door stof verminderen.
- h) **Voorkom een vals gevoel van zekerheid en houd u altijd aan de veiligheidsvoorschriften voor elektrische apparaten, ook als u ervaren bent met het elektrisch apparaat.** Achteloos handelen kan in een fractie van een seconde tot ernstige verwondingen leiden.

Gebruik en behandeling van het elektrisch gereedschap

a) Zorg dat het elektrische gereedschap niet overbelast raakt.

Gebruik voor de werkzaamheden het daarvoor bedoelde elektrische gereedschap. Met het juiste elektrisch gereedschap werkt u beter en veiliger in het aangegeven vermogensbereik.

b) Gebruik geen elektrisch gereedschap, waarvan de schakelaar defect is. Een elektrisch gereedschap, dat niet meer in- of uitgeschakeld kan worden, is gevaarlijk en moet gerepareerd worden.

c) Trek de stekker uit het stopcontact en/of verwijder de uitneembare accu voordat u de apparaatinstellingen wijzigt, inzetstukken vervangt of het elektrische apparaat weglegt.

Deze voorzorgsmaatregelen voorkomen dat het elektrische gereedschap onbedoeld start.

d) Bewaar ongebruikt elektrisch gereedschap buiten het bereik van kinderen.

Laat het elektrisch apparaat niet gebruiken door personen die er niet mee vertrouwd zijn of deze aanwijzingen niet hebben gelezen. Elektrische gereedschappen zijn gevaarlijk als deze door onervaren personen worden gebruikt.

e) Voer zorgvuldig onderhoud uit aan elektrische apparaten en inzetstukken.

Controleer of bewegende delen probleemloos functioneren en niet klemmen, of onderdelen gebroken of beschadigd zijn, waardoor de functie van het elektrische gereedschap wordt beïnvloed. Laat beschadigde onderdelen voor gebruik van het elektrische apparaat eerst repareren. Veel ongevallen ontstaan door slecht onderhouden elektrisch gereedschap.

f) Houd snijgereedschap scherp en schoon. Zorgvuldig onderhouden snijgereedschap met scherpe snijranden komt minder snel vast te zitten en is makkelijker te gebruiken.

g) Gebruik elektrische apparaten, accessoires en inzetstukken, etc. overeenkomstig deze aanwijzingen.

Houd daarbij rekening met de omstandigheden waarin gewerkt wordt en de uit te voeren werkzaamheden. Het gebruik van elektrisch gereedschap voor andere toepassingen dan het voorgeschreven gebruik kan leiden tot gevaarlijke situaties.

h) Houd grepen en greepoppervlakken droog, schoon en vrij van olie en vet. Als grepen en greepoppervlakken glad zijn, kan het elektrisch gereedschap in onvoorziene situaties niet veilig bediend en onder controle gehouden worden.

Service

a) Laat uw elektrisch gereedschap uitsluitend door gekwalificeerd deskundig personeel repareren met uitsluitend originele reserveonderdelen. Hiermee blijft veilig gebruik van het elektrisch gereedschap gewaarborgd.

Veiligheidsvoorschriften voor boormachines

a) De boormachine moet vastgezet worden. Een onjuist bevestigde boormachine kan bewegen of kantelen en dit kan verwondingen veroorzaken.

b) Het werkstuk moet met de werkstuksteun worden vastgeklemd of bevestigd. Boor niet in werkstukken die te klein zijn om veilig vast te klemmen. Als u het werkstuk met de hand vasthoudt, kan dat tot verwondingen leiden.

c) Draag geen handschoenen. Handschoenen kunnen door draaiende delen of boorspaanders worden vastgegrepen, wat tot verwondingen kan leiden.

d) Houd uw handen buiten het boorbereik als het elektrisch gereedschap in bedrijf is. Contact met draaiende delen of boorspaanders kan verwondingen veroorzaken.

e) Het boorgereedschap moet draaien voordat u het naar het werkstuk brengt. Anders kan de boor in het werkstuk vastlopen en kunnen onverwachte bewegingen van het werkstuk verwondingen veroorzaken.

f) Als de boor vastloopt, moet u de boor niet verder naar beneden duwen en het elektrisch gereedschap uitschakelen. Bepaal de oorzaak van het vastlopen en verhelp dit probleem. Het vastlopen kan tot een onverwachte beweging van het werkstuk en tot verwondingen leiden.

g) Voorkom lange boorspaanders door de neerwaartse druk regelmatig te onderbreken. Scherpe metaalspaanders kunnen vast komen te zitten en verwondingen veroorzaken.

h) Verwijder nooit boorspaanders uit het boorbereik als het elektrisch gereedschap in bedrijf is. Om spaanders te verwijderen, beweegt u het boorgereedschap van het werkstuk af, schakelt u het elektrisch gereedschap uit en wacht u tot het boorgereedschap is gestopt. Gebruik hulpmiddelen zoals een borstel of haak om de spaanders te verwijderen. Contact met draaiende delen of boorspaanders kan verwondingen veroorzaken.

i) Het toegestane toerental van inzetstukken met een nominaal toerental moet minstens zo hoog zijn als het maximale toerental dat op het elektrisch gereedschap staat vermeld. Accessoires die sneller draaien dan toegestaan, kunnen afbreken en weggeslingerd worden.



**Let op! Laserstraling
Niet in de laserstraal kijken
Laserklasse 2**



Bescherm uzelf en uw omgeving door het nemen van de juiste voorzorgsmaatregelen ten behoeve van ongevallenpreventie!

- Niet direct in de laserstraal kijken zonder oogbescherming.
- Nooit direct in de straalbundel kijken.

- Richt de laserstraal nooit op reflecterende oppervlakken en personen of dieren. Ook een laserstraal met een laag vermogen kan oogletsel veroorzaken.
- Let op! Als andere dan de hier aangegeven handelswijzen worden toegepast, kan dit tot een gevaarlijke stralingsexplosie leiden.
- Lasermodule nooit openen. Dit kan tot onverwachte blootstelling aan straling leiden.
- De laser mag niet door laser van een ander type worden vervangen.
- Reparaties aan de laser mogen uitsluitend door de fabrikant van de laser of een bevoegde dealer worden uitgevoerd.
- Aanduiding en aanbrenglocatie van het waarschuwingsetiket, zie afbeelding 8 en 9.


⚠ WAARSCHUWING! Dit elektrisch apparaat genereert een elektromagnetisch veld als het is ingeschakeld. Dit veld kan onder bepaalde omstandigheden interfereren met actieve of passieve medische implantaten. Om het risico op ernstig of dodelijk letsel te beperken, raden we personen met medische implantaten aan om hun arts en de fabrikant van het medische implantaat te raadplegen voordat de machine wordt gebruikt.

Restrisico's

Ook als u dit elektrisch apparaat conform de voorschriften gebruikt, blijven er altijd restrisico's bestaan. De volgende gevaren kunnen in relatie tot de constructie en de uitvoering van dit elektrisch apparaat optreden:

- Longschade, als geen geschikt stofmasker wordt gedragen.
- Gehoorschade, als de voorgeschreven gehoorbescherming niet wordt gedragen.
- Lichamelijk letsel door trillingen van hand en arm als het apparaat gedurende langere tijd wordt gebruikt of niet conform de voorschriften wordt bediend en onderhouden.

7. Technische gegevens

Wisselstroommotor	220 - 240 V ~ 50 Hz
Nominaal vermogen S1	710 Watt
Bedrijfsmodus	S2 5min* 900W
Stationair toerental n_0	500 - 2600 min ⁻¹
Spanbereik boorkop	1,5 - 13 mm.
Boorslag max.	70 mm
Afmetingen grondplaat	320 x 305 mm
Afstand boorkop tot bodemplaat	280 mm
Gewicht ca.	8,3 kg
Beschermingsklasse	II / 
Laserklasse	2
Aslengte laser	650 mm
Vermogen laser	< 1 mW

* Na een ononderbroken bedrijfsduur van 5 minuten volgt een pauze totdat de temperatuur van het apparaat minder dan 2 K (2 °C) van de omgevingstemperatuur afwijkt.

Het werkstuk moet minimaal een hoogte van 3 mm en een breedte van 45 mm hebben.

Zorg ervoor dat het werkstuk altijd met de kleminrichting is geborgd.

Overhangende werkstukken moeten evt. door extra steunen aan de zijkant worden ondersteund.

Geluid

De geluidswaarden zijn bepaald volgens EN 62841.

Geluidsdrumniveau L_{pA}	89,6 dB(A)
Onzekerheid K_{pA}	3 dB
Geluidsvermogensniveau L_{WA}	102,6 dB(A)
Onzekerheid K_{WA}	3 dB

Draag gehoorbescherming.

Het effect van lawaai kan gehoorverlies zijn.

De opgegeven geluidsemissiewaarden zijn gemeten volgens een standaardtestmethode en kunnen worden gebruikt om elektrische apparaten met elkaar te vergelijken.

De aangegeven geluidsemissiewaarden kunnen ook worden gebruikt als eerste indicatie van de belasting.

Waarschuwing:

- De geluidsemissies kunnen van de opgegeven waarde afwijken wanneer de machine daadwerkelijk wordt gebruikt. Dit is afhankelijk van de wijze waarop het elektrisch apparaat wordt gebruikt en de aard van het werkstuk dat wordt bewerkt.
- Probeer om de belasting zo gering mogelijk te houden. Zo kan bijvoorbeeld de werktijd worden beperkt. Hierbij moeten alle aspecten van de bedrijfscyclus in aanmerking worden genomen (zoals de tijd dat de machine uitgeschakeld is en de tijd dat deze ingeschakeld is, maar onbelast draait).

8. Voor de ingebruikname

- Open de verpakking en haal het apparaat er voorzichtig uit.
- Verwijder het verpakkingsmateriaal evenals de verpakkings- en transportbeveiligingen (indien voorhanden).
- Controleer of de inhoud van de levering volledig is.
- Controleer het apparaat en de hulpstukken op transport-schade.
- Bewaar de verpakking indien mogelijk tot na het verstrijken van de garantietijd.

LET OP

Het apparaat en de verpakkingsmaterialen zijn geen kinderspeelgoed! Kinderen mogen niet met plastic zakken, folies en kleine onderdelen spelen! Er bestaat gevaar voor inslikken en verstikkingsgevaar!

Controleer vóór het aansluiten of de specificaties op het typeplaatje overeenkomen met de gegevens van het stroomnet.

- Controleer het apparaat op transportschade. Meld eventuele schade direct bij het transportbedrijf dat het elektrisch apparaat heeft bezorgd.
- Lange snoeren (verlengsnoeren) moeten worden vermeden.
- Gebruik het elektrisch apparaat niet in een vochtige of natte ruimte.
- Het elektrisch apparaat mag alleen in daartoe geschikte (goed geventileerde) ruimtes worden gebruikt.

9. Montage

⚠ Let op!

Het apparaat moet voor de ingebruikname volledig zijn gemonteerd!

⚠ Controleer vóór het aansluiten van het apparaat of de specificaties op het typeplaatje overeenkomen met de gegevens van het stroomnet.

⚠ **Waarschuwing!** Trek altijd de voedingsstekker eruit voordat u instellingen aan het apparaat uitvoert.

9.1 Grondplaat en kolom monteren (afb. 2)

1. Schuif de snelspanner (2) over de kolom (3).
2. Plaats de kolom (3) zo in de grondplaat (1) dat de geleidingspen aan het onderste uiteinde van de kolom (3) in de groef van de grondplaat (1) vastklikt.
3. Draai de voormonteerde bevestigingsschroeven (A) aan de achterkant van de grondplaat (1) vast met de inbusleutel (21).

9.2 Parallelaanslag monteren (afb. 4)

1. Schuif de parallelaanslag (16) in de groeven van de grondplaat (1).
2. Zorg ervoor dat de schuifblokken onder de vleugelschroeven voor de parallelaanslag (15) op de groeven zijn uitgelijnd.
3. Verplaats de parallelaanslag (16) naar de gewenste positie en draai de vleugelschroeven voor de parallelaanslag (15) vast.

9.3 Montage handgreep (afb. 2)

1. Verwijder de voormonteerde bevestigingsschroef (B).
2. Let op de juiste bevestiging van de afstandhouder (13).
3. Schuif de handgreep (8) op de opname (G), zoals weergegeven in Afb. 2.
4. Plaats de moer (C) in de uitsparing in de handgreep (8) en haal de bevestigingsschroef (B) aan.

9.4 Montage diepteanslag (afb. 2)

1. Breng de diepteanslag (7) van bovenaf in de uitsparing van de behuizing.
2. Monteer de klemhendel diepteanslag (6), zoals weergegeven in Afb. 2.

9.5 Apparaat op een werkoppervlak monteren (afb. 4)

Bevestig het apparaat op het werkoppervlak door de grondplaat (1) op het werkoppervlak vast te schroeven.

10. Bediening

10.1 Hoogteverstelling (afb. 2, 3)

U kunt de positie van de machinekop aanpassen aan de hoogte van het werkstuk of de lengte van het gereedschap.

1. Houd de handgreep (8) vast.
2. Open de klemhendel voor de hoogteverstelling (5).
3. Bepaal de positie van de machinekop met de handgreep (8).
4. Zet de machinekop op deze positie vast met de klemhendel voor de hoogteverstelling (5).

Let op! In de laagste positie van de machinekop moet u erop letten dat deze niet voorbij het uiteinde van de markering (23) wordt verplaatst.

Borg de machinekop in deze positie met de klemhendel hoogteverstelling (5). Als dit niet wordt gedaan, kan de geleiding beschadigd raken.

10.2 Boordiepte instellen (afb. 1, 11)

Met de diepteanslag (7) kunt u de boordiepte bepalen.

1. Open de klemhendel voor de diepteanslag (6).
2. Voer een proefboring uit. Zodra de gewenste diepte is bereikt, haalt u de klemhendel diepteanslag (6) weer aan.
3. De diepteanslag (7) is nu op de gewenste boordiepte vergrendeld.
4. Controleer aansluitend de positie van de diepteanslag. Als de weergegeven maat niet overeenkomt met de feitelijke boordiepte, kan de aanwijzer (9) worden bijgesteld.
 - Draai de kruiskopschroef (19) van de aanwijzer (9) los.
 - Stel de aanwijzer (9) in op de juiste positie van de schaalverdeling (20).
 - Draai de kruiskopschroef (19) weer vast.

10.3 Gereedschap vastklemmen/losmaken (afb. 5, 6)

Voorzichtig! Zorg ervoor dat de boorkopsleutel niet vast komt te zitten. Gevaar voor letsel door het wegslingeren van de boorkopsleutel.

10.3.1 Vastklemmen

1. Plaats de boorkopsleutel (22).
2. Draai de boorkopsleutel (22) tegen de klok in om de spanhuls (D) te openen.
3. Plaats het inzetstuk (E).
4. Houd het inzetstuk (E) vast.
5. Draai de boorkopsleutel (22) met de klok mee om de spanhuls (D) te sluiten en het inzetstuk te borgen.
6. Controleer het inzetstuk (E) op vaste zitting.
7. Haal de boorkopsleutel (22) er weer af.

10.3.2 Losmaken

1. Plaats de boorkopsleutel (22).
2. Draai de boorkopsleutel (22) tegen de klok in, totdat het inzetstuk (E) kan worden verwijderd.
3. Haal de boorkopsleutel (22) er weer af.

10.4 Werkstuk uitlijnen (afb. 1)

1. Schakel de kruislijnlaser via de aan/uit-schakelaar (18) in.
2. Het snijpunt van beide laserlijnen geeft exact het boormiddelpunt weer.
3. Lijn uw markering op het werkstuk uit op het laserkruis.

10.5 Werkstuk vastklemmen (afb. 7)

Het te bewerken werkstuk moet veilig kunnen worden vastgeklemd. Bewerk geen werkstukken die niet kunnen worden vastgeklemd.

De uitsparing van de snelspanner moet gecentreerd ten opzichte van het boorgat zijn uitgelijnd. Anders kan de boor of boorvoering door de snelspanner worden geblokkeerd.

1. Positioneer het werkstuk met behulp van de kruislijnlaser.
2. Draai de snelspannschroef (17) los.
3. Laat de snelspanner (2) op het werkstuk rusten.

4. Draai de snelspanschroef (17) rechtsom om het werkstuk vast te klemmen.
5. Om de snelspanner (2) te ontgrendelen, draait u de snelspannschroef (17) linksom.

10.6 Grotere werkstukken vastklemmen (afb. 7)

Gebruik voor grotere werkstukken de parallelaanslag (16):

1. Draai de vleugelschroeven van de parallelaanslag (16) los en plaats de parallelaanslag (16) in de groeven van de grondplaat.
2. Draai de vleugelschroeven van de parallelaanslag (15) vast.
3. Lijn uw werkstuk uit op de parallelaanslag (16) en klem het vast met de snelspanner (2).

Waarschuwing! Bij werkstukken die breder of langer zijn dan het tafelblad, moet u voor voldoende ondersteuning zorgen, bijvoorbeeld met onderstellen of zaagbokken.

Werkstukken die langer of breder zijn dan de grondplaat van de kolomboormachine, kunnen omkantelen als ze niet stevig worden ondersteund. Als het werkstuk kantelt, kan het de boorkopbescherming of het snijgereedschap beschadigd raken.

10.7 Toerental instellen (afb. 1)

Het juiste toerental moet afhankelijk van het te bewerken werkstuk en de gereedschapsdiameter worden ingesteld.

10.7.1 Elektronische toerenregeling

Met de elektronische toerenregeling kunt u het toerental traploos instellen:

Stel het toerental in met behulp van de toerenregelaar (12).

Het actuele toerental kan aan de hand van de aanduiding op de toerenregelaar (12) worden afgelezen.



10.8 In-/uitschakelen (afb. 1)

Inschakelen: Druk op de Aan-schakelaar (11) om het apparaat in te schakelen.

Uitschakelen: Druk op de Uit-schakelaar (10) om het apparaat uit te schakelen.

10.9 Boren (afb. 1, 7)

1. Lijn het werkstuk uit en klem het vast.
2. Start het apparaat en stel het toerental in.
3. Voor het boren beweegt u de handgreep (8) met gelijkmatige aanvoer, totdat de gewenste boordiepte is bereikt. Bij het boren van metalen moet u de beweging van het handwiel kortstondig onderbreken, zodat de spanen kunnen afbreken.
4. Als u de boordiepte hebt bereikt, brengt u de handgreep (8) weer terug naar de uitgangspositie.
5. Schakel het apparaat uit.

11. Transport

⚠ Waarschuwing! Trek voor elk transport de netstekker uit het stopcontact!

- Houd het elektrisch gereedschap vast bij de grondplaat (1) om het te transporteren.

12. Reiniging en onderhoud

⚠ Waarschuwing! Trek altijd de stekker uit het stopcontact voordat u instellings-, instandhoudings- of reparatiewerkzaamheden uitvoert!

12.1 Algemene onderhoudswerkzaamheden

⚠ Werkzaamheden die niet in deze gebruikshandleiding worden beschreven, door een gespecialiseerde werkplaats laten uitvoeren. Gebruik uitsluitend originele onderdelen. Laat het apparaat altijd afkoelen voordat onderhouds- of reinigingswerkzaamheden worden uitgevoerd.

⚠ Er bestaat gevaar voor brandwonden!

Controleer het apparaat voor elk gebruik op zichtbare defecten, zoals losse, versleten of beschadigde onderdelen, of loszittende bouten of andere onderdelen. Vervang beschadigde onderdelen.

12.2 Reiniging

Gebruik geen reinigings- of oplosmiddelen. Chemische stoffen kunnen de kunststof onderdelen van het apparaat aantasten. Reinig het apparaat nooit onder stromend water.

- Reinig het apparaat grondig na elk gebruik.
- Reinig de ventilatieopeningen en het oppervlak van het apparaat met een zachte borstel, een kwast of een doek.
- Verwijder spaanders, stof en vuil zo nodig met een stofzuiger.
- Smeer bewegende delen regelmatig.

12.3 Onderhoud

In het apparaat bevinden zich geen onderdelen die onderhoud vereisen.

12.4 Boorkop vervangen (afb. 1, 5, 10)

⚠ Waarschuwing! Netstekker loskoppelen!

Benodigd gereedschap (niet bij de levering inbegrepen):

1x steeksleutel 27 mm

- Verwijder het inzetstuk, zoals beschreven onder 10.3.2.
- Haal de spanhuls (D) vast aan, door de boorkopsleutel (22) met de klok mee te draaien.
- Houd de boorkop (14) met een hand vast, terwijl u met de steeksleutel (27 mm) de moer (F) met de klok mee naar onderen beweegt.
- Zodra de boorkop (14) van de as is losgemaakt, kan deze worden verwijderd.
- Zet de nieuwe boorkop in omgekeerde volgorde vast.

De boorkop mag alleen worden vervangen door een boorkop die door de fabrikant is goedgekeurd.

Bestelnummer: 390 6814 001

12.5 Service-informatie

Let op dat bij dit product de volgende delen onderhevig zijn aan gebruiksmatige of natuurlijke slijtage, resp. de volgende delen als verbruiksmateriaal wordt gebruikt.

Slijststukken*: Koolborstels, boor

* niet persé in de leveringsomvang opgenomen!

13. Opslag

Bewaar het apparaat en de bijbehorende accessoires op een donkere, droge en vorstvrije en voor kinderen ontoegankelijke plaats. De optimale opslagtemperatuur ligt tussen 5 en 30 °C. Bewaar het elektrisch apparaat in de originele verpakking. Dek het elektrisch apparaat af ter bescherming tegen stof en vocht.

Bewaar de gebruikshandleiding bij het elektrische apparaat.

14. Elektrische aansluiting

De geïnstalleerde elektromotor is bedrijfsklaar aangesloten. De aansluiting voldoet aan de relevante VDE- en DIN-voorschriften. De netaansluiting van de klant en het gebruikte verlengsnoer moeten eveneens aan deze voorschriften voldoen.

14.1 Algemene instructies

Bij overbelasting van de motor schakelt deze vanzelf uit. Na een afkoeltijd (deze tijd is verschillend) kan de motor weer worden ingeschakeld.

14.2 Defecte elektrische aansluitkabel

Bij elektrische aansluitkabels treedt vaak schade aan de isolatie op.

Mogelijke oorzaken zijn:

- Versleten plekken, als aansluitkabels door venster- of deuropeningen worden geleid.
- Knikken door een onvakkundige bevestiging of geleiding van de aansluitkabel.
- Snijplekken omdat over de aansluitkabel is gereden.
- Beschadigde isolatie omdat de stekker uit het stopcontact is getrokken.
- Scheuren door veroudering van de isolatie.

Dergelijke defecte elektrische aansluitkabels mogen niet worden gebruikt en zijn levensgevaarlijk als de isolatie is beschadigd.

Controleer de elektrische aansluitkabels regelmatig op schade. Let erop dat bij het controleren de aansluitkabel niet op het elektriciteitsnet is aangesloten.

Elektrische aansluitkabels moeten aan de relevante VDE- en DIN-voorschriften voldoen. Gebruik uitsluitend netsnoeren met de aanduiding "H05VV-F".

Op de aansluitkabel moet de typeaanduiding vermeld staan. Als het snoer moet worden vervangen, dan moet dit door de fabrikant of zijn vertegenwoordiger worden gedaan om veiligheidsrisico's te voorkomen.

14.3 Wisselstroommotor

De netspanning moet 220 - 240 V~ 50 Hz bedragen.

- Verlengsnoeren moeten tot een lengte van 25 m een doorsnede hebben van 1,5 vierkante millimeter.

Aansluitingen en reparaties van de elektrische uitrusting mogen uitsluitend door een elektromonteur worden uitgevoerd.

Vermeld in geval van vragen de volgende gegevens:

- Stroomtype van de motor
- Gegevens van het typeplaatje van de motor

15. Afvalverwerking en hergebruik

Het apparaat zit in een verpakking om transportschade te voorkomen. Deze verpakking is een grondstof en kan dus opnieuw gebruikt worden of kan terugkeren in de kringloop van grondstoffen.

Het apparaat en de accessoires ervan bestaan uit verschillende soorten materiaal, zoals metaal en kunststoffen. Verwijder defecte componenten als speciaal afval. Informeer hiernaar bij uw specialzaak of bij de gemeente!



De verpakking is gemaakt van milieuvriendelijke materialen die u bij lokale recyclingcentra kunt inleveren.

Informatie over het afvoeren van versleten apparatuur kunt u opvragen bij uw gemeente.

Oude apparatuur mag niet bij het huisafval worden gegooid!



Dit symbool geeft aan dat dit product conform de richtlijn inzake verbruikte elektrische en elektronische apparatuur (2012/19/EU) en nationale wettelijke bepalingen niet bij het huishoudelijk vuil mag worden gegooid.

Dit product moet bij een hiervoor bestemde verzamelpunt worden afgegeven. Dit kan bijv. door teruggave bij de aanschaf van een soortgelijk product of door inlevering bij een erkend verzamelpunt voor het recyclen van verbruikte elektrische en elektronische apparatuur. Het onjuist handelen van oude apparatuur kan door mogelijke gevaarlijke stoffen, die veelal in verbruikte elektrische en elektronische apparatuur zijn verwerkt, negatieve effecten op het milieu en de gezondheid van de mens hebben. Door een juiste afvoer van dit product levert u bovendien een bijdrage aan een effectief gebruik van natuurlijke resources. Informatie inzake inzamelpunten voor verbruikte apparatuur kunt u opvragen bij de gemeente, de publieke afvalverwerker, een erkend afvalverwerkingsstation voor het afvoeren van verbruikte elektrische en elektronische apparatuur of uw afvalverwerkingsstation.

16. Verhelpen van storingen

Storing	Mogelijke oorzaak	Oplossing
Apparaat start niet	Motor, kabel of stekker defect, huiszekering wordt geactiveerd	Stopcontact, netsnoer, leiding en stekker controleren en zo nodig door een elektricien laten repareren. Huiszekering controleren
	Aan/uit-schakelaar (11/10) defect	Reparatie door klantenservice
	Motor defect	Reparatie door klantenservice
Krachtige trillingen	Grondplaat (1) niet vastgezet	Machine op werkbank o.i.d. bevestigen
	Gereedschap niet gecentreerd vastgeklemd	Gereedschap in boorkop (14) controleren
Motor raakt snel oververhit	Overbelasting van de motor, ontoereikende koeling van de motor.	Voorkom overbelasting van de motor tijdens het boren, verwijder stof van de motor om een optimale koeling van de motor te garanderen.
De motor maakt te veel lawaai	Wikkelingen beschadigd, motor defect.	Controle door klantenservice

17. Garantiebewijs

Geachte klant,

onze producten zijn aan een strenge kwaliteitscontrole onderhevig. Mocht dit apparaat echter ooit niet naar behoren functioneren, spijt het ons ten zeerste en vragen u zich tot onze servicedienst onder het adres vermeld op dit garantiebewijs te wenden. Wij staan ook graag telefonisch tot uw dienst via het hieronder vermelde servicetelefoonnummer. Voor vorderingen in verband met garantie geldt het volgende:

- Deze garantievoorwaarden regelen bijkomende garantieprestaties. Uw wettelijke garantieclaims blijven onaangetast door deze garantie. Onze garantieprestatie is voor u gratis.
- De garantieprestatie heeft uitsluitend betrekking op gebreken die te wijten zijn aan materiaal- of fabricagefouten en is beperkt tot het verhelpen van deze gebreken of het vervangen van het apparaat. Wij wijzen erop dat onze apparaten overeenkomstig hun bestemming niet geconstrueerd zijn voor commercieel, ambachtelijk of industrieel gebruik. Een garantieovereenkomst komt daarom niet tot stand als het apparaat in ambachtelijke of industriële bedrijven alsmede bij gelijk te stellen activiteiten wordt gebruikt. Uitgesloten van onze garantie zijn verder schadeloosstellingen voor transportschade, schade door nietnaleving van de montage-instructies of op grond van ondeskundige installatie, niet-naleving van de handleiding (zoals door b.v. aansluiting op een verkeerde netspanning of stroomsoort), oneigenlijke of onoordeelkundige toepassingen (zoals b.v. overbelasting van het apparaat of gebruik van niet toegestane inzetgereedschappen of toebehoren), niet-naleving van de onderhouds- en veiligheidsbepalingen, binnendringen van vreemde voorwerpen in het apparaat (zoals b.v. zand, stenen of stof), gebruikmaking van geweld of invloeden van buitenaf (zoals b.v. schade door neervallen) alsmede door normale slijtage die zich bij het doelmatig gebruik van het apparaat voordoet.

Er kan geen aanspraak op garantie worden gemaakt als op het apparaat reeds ingrepen werden uitgevoerd.

- De garantieperiode bedraagt 3 jaar en gaat in op de datum van aankoop van het apparaat. Garantieclaims dienen voor het verloop van de garantieperiode binnen de twee weken na het vaststellen van het defect geldend te worden gemaakt. Het geldend maken van garantieclaims na verloop van de garantieperiode is uitgesloten. De herstelling of vervanging van het apparaat leidt noch tot een verlenging van de garantieperiode noch wordt door deze prestatie een nieuwe garantieperiode voor het apparaat of voor eventueel ingebouwde wisselstukken op gang gebracht. Dit geldt ook bij het ter plaatse uitvoeren van een serviceactiviteit.
- Om een garantieclaim geldend te maken neem contact op met het hieronder vermelde serviceadres. Als de klacht binnen de garantieperiode valt, ontvangt u van ons een retourbon waarmee u uw defecte apparaat gratis naar ons kunt retourneren. Wij verzoeken u de reden van de klacht zo nauwkeurig mogelijk te beschrijven. Valt het defect van het apparaat binnen onze garantieprestatie bezorgen wij u per omgaande een hersteld of nieuw apparaat terug.

Uiteraard staan wij ook tot u dienst om mits betaling van de kosten defecten van het apparaat te verhelpen die buiten de garantieomvang vallen. Te dien einde stuurt u het apparaat aan ons serviceadres op.

Service-hotline / Hotline du service (NL/BE):

+800 4003 4003

(0,00 €/Min.)

E-mailadres / Email du service (NL):

service.NL@schepbach.com

E-mailadres / Email du service (BE):

service.BE@schepbach.com

Serviceadres / Adresse du service (NL/BE):

EURO Elektrowerkzeug- und Maschinen Service

Bürgerbuschweg 20

DE - 51381 Leverkusen



Op www.lidl-service.com kunt u deze en talloze andere handleidingen, productvideo's en installatiesoftware downloaden.

Met de QR-code komt u direct op de Lidl-Service-pagina (www.lidl-service.com) en kunt u met het invoeren van het artikelnummer (IAN) 361816_2010 uw gebruikshandleiding openen.

1.	Vysvětlení symbolů na přístroji	45
2.	Úvod	46
3.	Popis přístroje (obr. 1-11)	46
4.	Rozsah dodávky.....	46
5.	Použití v souladu s určením.....	46
6.	Bezpečnostní pokyny	47
7.	Technické údaje	49
8.	Před uvedením do provozu	49
9.	Montáž	49
10.	Obsluha	50
11.	Přeprava	51
12.	Čištění a údržba	51
13.	Skladování.....	51
14.	Elektrické připojení.....	51
15.	Likvidace a recyklace.....	52
16.	Odstraňování poruch.....	52
17.	Záruční list	53
18.	Prohlášení o shodě.....	99

1. Vysvětlení symbolů na přístroji

	CZ	Varování! Při nedodržení možné nebezpečí ohrožení života, nebezpečí zranění nebo poškození nástroje!	
	CZ	Před uvedením do provozu si přečtěte a dodržujte návod k obsluze a bezpečnostní pokyny!	
	CZ	Noste ochranné brýle!	
	CZ	Noste ochranná sluchátka!	
	CZ	Bude-li se při práci prášit, noste ochranu dýchacích cest!	
	CZ	Nenoste dlouhé vlasy rozpuštěné. Použijte síťku na vlasy.	
	CZ	Nenoste rukavice.	
	CZ	Třída ochrany II (dvojitá izolace)	
	CZ	Pozor! Laserové záření	obr. 8, 9

2. Úvod

VÝROBCE:

scheppach

Fabrikation von Holzbearbeitungsmaschinen GmbH
Günzburger Straße 69
D-89335 Ichenhausen

VÁŽENÝ ZÁKAZNÍKU,

přejeme vám mnoho radosti a úspěchu při práci s novým zařízením.

UPOZORNĚNÍ:

Výrobce tohoto zařízení neručí podle platného zákona o odpovědnosti za vady výrobku za škody, které vzniknou na tomto zařízení nebo jeho prostřednictvím v případě:

- neodborné manipulace,
- nedodržování návodu k obsluze,
- oprav prostřednictvím třetích osob, neautorizovaných odborníků,
- montáže a výměny neoriginálních náhradních dílů,
- použití, které není v souladu s určením,
- Výpadky elektrického zařízení v případě nedodržení elektrických předpisů a ustanovení VDE 0100, DIN 57113 / VDE0113.

Mějte na paměti:

Před montáží a zprovozněním si přečtěte celý text návodu k obsluze.

Tento návod k obsluze vám má usnadnit seznámení se zařízením a jeho používání v souladu s určením.

Návod k obsluze obsahuje důležité pokyny, jak se zařízením pracovat bezpečně, odborně a ekonomicky, abyste se vyhnuli rizikům, ušetřili náklady za opravy, omezili dobu nečinnosti a zvýšili spolehlivost a životnost zařízení.

Kromě bezpečnostních ustanovení tohoto návodu k obsluze musíte bezpodmínečně dodržovat předpisy své země, které platí pro provoz zařízení.

Uchovávejte návod k obsluze u zařízení v plastovém obalu, který jej bude chránit před znečištěním a vlhkostí. Před započatím práce si jej musí každý pracovník obsluhy přečíst a pečlivě jej dodržovat.

Se zařízením směřjí pracovat jen osoby, které jsou poučeny o jeho použití a informovány o nebezpečích, která jsou s ním spojena. Dodržujte minimální požadovaný věk obsluhy.

Kromě bezpečnostních pokynů, které jsou obsaženy v tomto návodu k obsluze, a zvláštních předpisů vaší země, je při provozu konstrukčně stejných strojů zapotřebí dodržovat všeobecně uznávaná technická pravidla.

Nepřebíráme žádnou záruku za nehody nebo škody způsobené nedodržáním tohoto návodu a bezpečnostních pokynů.

3. Popis přístroje (obr. 1-11)

1. Základní deska
2. Rychloupínač
3. Sloupek
4. Ozubená tyč výškového přestavení
5. Upínací páka výškového přestavení
6. Upínací páka hloubkového dorazu
7. Hloubkový doraz
8. Rukojeť
9. Ukazatel hloubkového dorazu
10. Vypínač
11. Zapínač
12. Regulátor otáček
13. Rozpěra
14. Sklíčidlo
15. Křídlový šroub pro paralelní doraz
16. Paralelní doraz
17. Rychloupínací šroub
18. Spínač / vypínač laseru
19. Šroub s křížovou hlavou (ukazatel)
20. Stupnice
21. Klíč na vnitřní šestihran, 4 mm
22. Sklíčidlový klíč
23. Značka

4. Rozsah dodávky

- 1 Vrtačka
- 1 Rychloupínač (2)
- 1 Základní deska (1)
- 1 Paralelní doraz (16)
- 1 Rozpěra (13)
- 1 Držadlo (8)
- 1 Hloubkový doraz (7)
- 1 Upínací páka (6)
- 1 Klíč na vnitřní šestihran, 4 mm (21)
- 1 Sklíčidlový klíč (22)
- 1 Návod k obsluze
- 1 Montážní materiál

5. Použití v souladu s určením

Stolní vrtačka je určena k vrtání do kovu, dřeva, plastu a dlaždic.

Upínací rozsah vrtacího sklíčidla: 1,5 - 13 mm.

Přístroj je určen k použití v domácnosti. Nebyl koncipován pro trvalé průmyslové používání. Přístroj není určen k používání osobami mladšími 16 let. Mladší nad 16 let směřjí přístroj používat pouze pod dohledem. Výrobce neručí za škody, které byly zapříčiněny použitím v rozporu s určením nebo chybnou obsluhou.

Respektujte prosím, že náš přístroj v souladu s určením není konstruován pro komerční, řemeslné a průmyslové použití. Nepřebíráme zodpovědnost v případě, když se přístroj použije v komerčních, řemeslných nebo průmyslových provozech, a při srovnatelných činnostech.

6. Bezpečnostní pokyny

Obecné bezpečnostní pokyny pro elektrické nástroje

⚠ VAROVÁNÍ! Přečtěte si všechny bezpečnostní pokyny, instrukce, ilustrace a technické údaje, kterými je tento elektrický nástroj opatřen. Pokud opomenete dodržovat následující instrukce, může to způsobit zásah elektrickým proudem, požár a/nebo těžká zranění.

Uchovejte si do budoucna veškeré bezpečnostní pokyny a instrukce.

Pojem „elektrický nástroj“, který je uveden v bezpečnostních pokynech, se vztahuje na elektrický nástroj (se síťovým kabelem), poháněný proudem ze sítě nebo na elektrický nástroj poháněný akumulátorem (bez síťového kabelu).

Bezpečnost na pracovišti

- a) **Udržujte svou pracovní oblast čistou a dobře osvětlenou.**
Pracovní oblasti, ve kterých je nepořádek nebo nejsou osvětlené, mohou vést k nehodám.
- b) **Nepracujte s tímto elektrickým nástrojem v prostředí ohroženém výbuchem, ve kterém se nacházejí hořlavé kapaliny, plyny nebo prach.**
Elektrické nástroje vytvářejí jiskry, které by mohly zapálit prach nebo výpary.
- c) **Udržujte děti nebo jiné osoby během používání elektrického nástroje v patřičné vzdálenosti.**
Při nesoustředěnosti můžete ztratit kontrolu nad elektrickým nástrojem.

Elektrická bezpečnost

- a) **Přípojná zástrčka elektrického nástroje musí být vhodná pro danou zásuvku.**
Zástrčka se nesmí žádným způsobem měnit. V kombinaci s uzemněnými elektrickými nástroji nepoužívejte žádné zásuvkové adaptéry. Nezměněné zástrčky a vhodné zásuvky zmenšují riziko zasažení elektrickým proudem.
- b) **Zabraňte kontaktu těla s uzemněnými povrchy jako trubkami, topení, sporáky a chladničkami. Je-li vaše tělo uzemněné, hrozí zvýšené riziko zasažení elektrickým proudem.**
- c) **Elektrické nástroje chraňte před deštěm a vlhkem.**
Vniknutí vody do elektrického nástroje zvyšuje riziko zásahu elektrickým proudem.
- d) **Připojovací vedení nepoužívejte k přenášení a zavěšení elektrického nástroje, nebo k vytažení zástrčky ze zásuvky.**
Kabel nenechávejte v horku, v oleji, na ostrých hranách nebo u pohyblivých dílů. Poškozené nebo zamotané přípojné vedení zvyšuje riziko zasažení elektrickým proudem.
- e) **Používáte-li elektrický nástroj venku, používejte prodlužovací kabely vhodné i pro venkovní použití.**
Používání vhodného prodlužovacího kabelu, vhodného pro venkovní použití, snižuje riziko zasažení elektrickým proudem.

- f) **Pokud není možno zabránit provozu elektrického nástroje ve vlhkém prostředí, použijte proudový chránič.**

Použití vložky pro proudový chránič zmírňuje riziko zasažení elektrickým proudem.

Bezpečnost osob

- a) **Při práci s elektrickým nástrojem buďte pozorní a neustále dávejte pozor na to, co děláte a postupujte vždy s rozvahou.**
Nepoužívejte elektrický nástroj, jste-li unavení nebo pod vlivem drog, alkoholu nebo léků.
Okamžik nepozornosti při používání elektrického nástroje může vést k vážným zraněním.
- b) **Používejte osobní ochranné pracovní prostředky a vždy ochranné brýle.**
Použití osobních ochranných prostředků jako je protiprachová maska, protiskluzová bezpečnostní obuv, ochranná přilba nebo ochrana sluchu podle druhu a způsobu použití elektrických nástrojů zmenšuje riziko zranění.
- c) **Zabraňte neúmyslnému uvedení do provozu. Než elektrický nástroj připojíte k napájení proudem a/nebo akumulátoru a než jej budete zvedat nebo nosit, ujistěte se, že je vypnutý.**
Máte-li při přenášení elektrického nástroje prst na spínači nebo zapojíte-li elektrický nástroj do zásuvky zapnutý, může to vést k nehodám.
- d) **Před zapnutím elektrického nástroje odstraňte veškeré seřizovací nástroje nebo klíče.**
Nástroj nebo klíč, který se nachází v otáčejícím se dílu elektrického nástroje, může vést ke zraněním.
- e) **Vyhnete se nestabilnímu držení těla. Zajistěte si stabilní postoj a vždy udržujte rovnováhu.** Tak můžete elektrický nástroj v nečekaných situacích lépe udržet pod kontrolou.
- f) **Noste vhodný oděv. Nenoste volný oděv nebo šperky. Udržujte vlasy, oděv a rukavice v bezpečné vzdálenosti od pohybujících se dílů.** Volný oděv, šperky nebo dlouhé vlasy mohou být zachyceny rotujícími díly.
- g) **Jsou-li namontována zařízení pro odsávání a zachycování prachu, ujistěte se, že jsou správně připojena a správně používána.**
Používání odsávání prachu může snížit ohrožení prachem.
- h) **Nenechte se ukolébat falešným pocitem bezpečí a nepřeskočte bezpečnostní pravidla pro elektrické nástroje, i když je po častém používání elektrického nástroje znáte.** Nedbalé chování může vést ve zlomku sekundy k těžkým zraněním.

Používání a manipulace s elektrickým nástrojem

- a) **Nepřetěžujte elektrický nástroj.**
Pro svou práci použijte vhodný elektrický nástroj. S vhodným elektrickým nástrojem budete pracovat lépe a bezpečněji v udávaném rozsahu výkonu.
- b) **Nepoužívejte elektrický nástroj, jehož vypínač je vadný. Elektrický nástroj, který již nelze zapnout nebo vypnout, je nebezpečný a musí být opraven.**

- c) **Než budete provádět nastavení nástroje, měnit díly vložného nástroje nebo elektrický nástroj odložíte, vytáhněte zástrčku ze zásuvky a/ nebo vyjměte vyjímatelný akumulátor.**

Tato preventivní bezpečnostní opatření brání neúmyslnému spuštění elektrického nástroje.

- d) **Uchovávejte nepoužívané elektrické nástroje mimo dosah dětí.**

Nenechte elektrický nástroj používat osoby, které s ním nejsou seznámeny nebo si nepřečetly tento návod. Elektrické nástroje představují nebezpečí, jsou-li používány nezkušenými osobami.

- e) **O elektrické nástroje a nástavec pečlivě pečujte.**

Kontrolujte, zda pohyblivé díly fungují bezvadně a nejsou vzpříčené, zda nejsou prasklé nebo tak poškozené, že je omezena funkčnost elektrického nástroje. Poškozené díly nechte před používáním elektrického nástroje opravit. Příčinou mnoha nehod je špatně udržovaný elektrický nástroj.

- f) **Udržujte řezné nástroje ostré a čisté. Pečlivě udržované řezné nástroje s ostrými břity se méně přičítají a lze je snadněji vést.**

- g) **Používejte elektrický nástroj, příslušenství, nástavce atd. v souladu s instrukcemi.**

Zohledněte přitom pracovní podmínky a prováděnou činnost. Používání elektrických nástrojů pro jiné než určené aplikace může vést k nebezpečným situacím.

- h) **Rukojeti a úchopné plochy udržujte suché, čisté a bez oleje a tuku.** Kluzké rukojeti a úchopné plochy neumožňují bezpečnou obsluhu a kontrolu elektrického nástroje v nepředvídatelných situacích.

Servis

- a) **Nechte svůj elektrický nástroj opravovat pouze kvalifikovaný odborný personál a pouze za použití originálních náhradních dílů.** To zajistí, aby zůstala zachována bezpečnost elektrického nástroje.

Bezpečnostní pokyny pro vrtačky

- a) **Vrtačka musí být zajištěna.** Nesprávně upevněná vrtačka se může pohnout nebo převrátit a zapříčinit zranění.
- b) **Obrobek musí být upnutý nebo upevněný k uložení obrobku. Nevrtějte do obrobků, které jsou příliš malé na bezpečné upnutí.** Přidržování obrobku rukou může vést ke zranění.
- c) **Nenoste rukavice.** Rukavice mohou být zachyceny otáčejícími se díly nebo vrtnými třískami a může dojít ke zranění.
- d) **Když elektrický nástroj běží, nevkládejte ruce do rozsahu vrtání.** Kontakt s otáčejícími se díly nebo vrtnými třískami může vést ke zranění.
- e) **Vrtný nástroj se musí otáčet, než jej přiložíte k obrobku.** Jinak by se mohl vrtný nástroj v obrobku zaseknout a zapříčinit tak jeho nečekaný pohyb a případně zranění.
- f) **Pokud se vrtný nástroj zablokuje, přestaňte jej tlačit dolů a vypněte jej. Zjistěte příčinu zablokování a odstraňte ji.** Blokování může vést k nečekanému pohybu obrobku a tím ke zranění.

- g) **Plak směrem dolů pravidelně přerušujte, abyste se vyvarovali dlouhých třísek.** Ostré kovové třísky se mohou zaseknout a vést ke zranění.

- h) **Nikdy neodstraňujte třísky z oblasti vrtání, když elektrický nástroj běží. K odstranění třísek odsuňte vrtný nástroj od obrobku, vypněte jej a počkejte, až se úplně zastaví. K odstranění třísek použijte pomůcky jako kartáč nebo hák.** Kontakt s otáčejícími se díly nebo vrtnými třískami může vést ke zranění.

- i) **Přípustný počet otáček používaných nástrojů s vyměřenými otáčkami musí být minimálně tak vysoký, jako maximální počet otáček uvedený na elektrickém nástroji.** Příslušenství, které se otáčí rychleji, než je přípustné, se může zlomit a vylétnout.



Pozor: Laserové záření
Nedívejte se do paprsku
Laser třídy 2



Chraňte sebe a své okolí vhodnými preventivními opatřeními před nebezpečím nehody!

- Nikdy se nedívejte nechráněnými očima přímo do laserového paprsku.
- Nikdy se nedívejte přímo do dráhy paprsku.
- Laserový paprsek nikdy nemiřte na odrazivé plochy, ani na osoby nebo zvířata. I laserový paprsek o nízkém výkonu může poškodit oči.
- Pozor – při provádění jiných postupů než zde uvedených může dojít k nebezpečné expozici laserovým zářením.
- Laserový modul nikdy neotvírejte. Mohlo by nečekaně dojít k vystavení záření.
- Laser nesmí být vyměňován za laser jiného typu.
- Opravy laseru smí provádět pouze výrobce laseru nebo autorizovaný zástupce.
- Označení a místo umístění výstražných štítků viz obr. 8 a 9


VAROVÁNÍ! Tento elektrický nástroj vytváří během provozu elektromagnetické pole. Toto pole může za určitých podmínek ovlivňovat aktivní nebo pasivní zdravotní implantáty. Pro snížení rizika vážných nebo smrtelných úrazů doporučujeme osobám se zdravotními implantáty, aby se před obsluhou tohoto elektrického nástroje obrátily na svého lékaře nebo na výrobce zdravotního implantátu.

Zbytková rizika

I když obsluhujete tento elektrický nástroj podle předpisů, vždy hrozí zbytková rizika. Niže uvedená nebezpečí se mohou vyskytnout v souvislosti s typem konstrukce a provedením tohoto elektrického nástroje:

- Poškození plic, pokud není používána vhodná maska na ochranu před prachem.
- Poškození sluchu, pokud není používána vhodná ochrana sluchu.
- Pokud se zařízení používá delší dobu nebo není řádně ovládáno nebo udržováno, může dojít k poškození zdraví způsobenému vibracemi rukou a paží.

7. Technické údaje

Motor na střídavý proud.....	220 - 240 V~ 50 Hz
Jmenovitý výkon S1	710 Watt
Druh provozního režimu.....	S2 5min* 900W
Volnoběžné otáčky n_0	500 - 2600 min ⁻¹
Upínací rozsah vrtacího sklíčidla	1,5 - 13 mm
Vrtací zdvih max.....	70 mm
Rozměry základní desky.....	320 x 305 mm
Vzdálenost sklíčidla od styčnice.....	280 mm
Hmotnost cca.....	8,3 kg
Třída ochrany	II / 
Laserová řířida	2
Vlnová délka laseru.....	650 nm
Výkon laseru	< 1 mW

* Po nepřetržitém provozu trvajícím 5 minut následuje klidová pauza, dokud mezi teplotou přístroje a teplotou místnosti nebude rozdíl menší než 2 K (2° C).

Opracovávaný předmět musí být vysoký alespoň 3 mm a široký alespoň 45 mm. Dávejte pozor, aby byl opracovávaný předmět vždy zajištěn držákem.

Převísle obrobky se musí případně na boku podepřít pomocí přidavných podpěr.

Hluk

Hluk změřeny podle normy EN 62841.

Hladina akustického tlaku L_{pA}	89,6 dB(A)
Kolísavost K_{pA}	3 dB
Hladina akustického výkonu L_{WA}	102,6 dB(A)
Kolísavost K_{WA}	3 dB

Používejte ochranu sluchu.

Působení hluku může vést ke ztrátě sluchu.

Uvedené hodnoty hlukových emisí byly měřeny normovaným zkušebním postupem a mohou být použity ke srovnání elektrického nástroje s jiným.

Uvedené hodnoty hlukových emisí lze použít rovněž k předběžnému odhadu zatížení.

Varování:

- Hodnoty hlukových emisí se mohou během reálného používání elektrického nástroje lišit od uvedených hodnot v závislosti na způsobu použití elektrického nástroje, především podle toho, jaký obrobek se bude obrábět.
- Pokuste se udržet zatížení na co nejnižší úrovni. Příklad opatření: omezení pracovní doby. Přitom je třeba zohlednit všechny části provozního cyklu (například doby, kdy je elektrický nástroj vypnutý, a doby, kdy je sice zapnutý, běží však naprázdno).

8. Před uvedením do provozu

- Otevřete balení a opatrně vyjměte přístroj.
- Odstraňte balicí materiál a obalové a přepravní pojistky (pokud je jimi výrobek opatřen).
- Zkontrolujte, zda je rozsah dodávky úplný.

- Zkontrolujte přístroj a díly příslušenství, zda se při přepravě nepoškodily.
- Uchovejte obal dle možností až do uplynutí záruční doby.

POZOR

Zařízení a obalové materiály nejsou hračka! S plastovými sáčky, fóliemi a drobným díly si nesmějí hrát děti! Hrozí nebezpečí spolknutí těchto věcí a udušení!


Před připojením se přesvědčte, že jsou údaje na typovém štítku shodné s údaji sítě.


- Zkontrolujte, zda se přístroj při přepravě nepoškodil. Případné škody ihned nahláste přepravní společnosti, která vám elektrický nástroj dodala.
- Předcházejte používání dlouhých přívodních vedení (prodlužovacího kabelu).
- Elektrický nástroj nepoužívejte ve vlhkém nebo mokřém prostředí.
- Elektrický nástroj se smí provozovat pouze ve vhodných (dobře větraných) prostorách.

9. Montáž

Pozor!

Před uvedením do provozu přístroj bezpodmínečně kompletně smontujte!

 Před připojením stroje do sítě se přesvědčte, že jsou údaje na typovém štítku shodné s údaji o síti přípojky.

 **Varování!** Než zahájíte nastavení přístroje, vždy vytáhněte síťovou zástrčku ze zásuvky.

9.1 Montáž základní desky a sloupku (obr. 2)

1. Nasuňte rychloupínač (2) na sloupek (3).
2. Nasadte sloupek (3) do základní desky (1) tak, aby vodící kolík na spodním konci sloupku (3) zapadl do drážky uchycení základní desky (1).
3. Utáhněte předmontované upevňovací šrouby (A) na zadní straně základní desky (1) pomocí klíče pro vnitřní šestihran (21).

9.2 Montáž paralelního dorazu (obr. 4)

1. Zasuňte paralelní doraz (16) do drážek základní desky (1).
2. Dbejte na to, aby vodící vložky do drážek pod křídlovými šrouby pro paralelní doraz (15) v drážkách lícovaly.
3. Uvedte paralelní doraz (16) do požadované polohy a pevně utáhněte křídlové šrouby pro paralelní doraz (15).

9.3 Montáž rukojeti (obr. 2)

1. Odstraňte předmontovaný upevňovací šroub (B).
2. Při tom dávejte pozor na správné usazení rozpěry (13).
3. Nasadte rukojeť (8) na úchyt (G), jak je znázorněno na obr. 2.
4. Vložte matici (C) do vybrání v rukojeti (8) a utáhněte upevňovací šroub (B).

9.4 Montáž hloubkového dorazu (obr. 2)

1. Vsaďte hloubkový doraz (7) shora do vybrání na opláštění.
2. Namontujte upínací páku hloubkového dorazu (6) způsobem, znázorněným na obr. 2.

9.5 Montáž na pracovní plochu (obr. 4)

Upevněte přístroj na pracovní plochu přišroubováním základní desky (1) k pracovní ploše.

10. Obsluha

10.1 Výškové přestavení (obr. 2, 3)

Poloha hlavy stroje může být nastavena v závislosti na výšce resp. délce obrobku.

1. Přidržte držadlo (8).
2. Otevřete upínací páku výškového přestavení (5).
3. Určete polohu hlavy stroje pomocí držadla (8).
4. Zajistěte polohu hlavy stroje upínací pákou výškového přestavení (5).

Pozor! V nejspodnější poloze hlavy stroje je nutné dbát na to, aby hlava nevyjžděla za značku (23).

Zajistěte hlavu stroje v této poloze upínací pákou výškového přestavení (5). Jinak by mohlo dojít k poškození vedení.

10.2 Nastavení hloubky vrtání (obr. 1, 11)

Pomocí hloubkového dorazu (7) lze stanovit hloubku vrtání.

1. Uvolněte upínací páku na hloubkovém dorazu (6).
2. Proveďte zkušební vrtání. Jakmile je dosaženo požadované hloubky, znovu utáhněte upínací páčku hloubkového dorazu (6).
3. Hloubkový doraz (7) je nyní zaaretován v požadované hloubce vrtání.
4. Na závěr zkontrolujte polohu hloubkového dorazu. Pokud zobrazený rozměr nesouhlasí se skutečnou hloubkou vrtání, lze ukazatel (9) seřídít.
 - Uvolněte šroub s křížovou hlavou (19) ukazatele (9).
 - Nastavte ukazatel (9) do správné polohy vzhledem ke stupnici (20).
 - Šroub s křížovou hlavou (19) opět utáhněte.

10.3 Upnutí / uvolnění nástroje (obr. 5, 6)

Opatrně! Klíč na utahování sklíčidla nenechte ve sklíčidle. Při odmrštění klíče hrozí nebezpečí zranění.

10.3.1 Upnutí

1. Nasadte klíč na utahování sklíčidla (22).
2. Otáčejte klíčem (22) proti směru pohybu hodinových ručiček, abyste otevřeli upínací pouzdro (D).
3. Vložte nástavec (E).
4. Nástavec (E) pevně držte.
5. Otáčejte klíčem (22) proti směru pohybu hodinových ručiček, abyste upínací pouzdro (D) zavřeli a nástavec zajistili.
6. Zkontrolujte, zda nástavec (E) pevně sedí.
7. Klíč na utahování sklíčidla (22) znovu odeberte.

10.3.2 Uvolnění

1. Nasadte klíč na utahování sklíčidla (22).
2. Otáčejte klíčem na utahování sklíčidla (22) proti směru pohybu hodinových ručiček, až bude možné nástavec (E) vyjmout.
3. Klíč na utahování sklíčidla (22) znovu odeberte.

10.4 Vyrovnání obrobku (obr. 1)

1. Zapněte křížový laser pomocí spínač/vypínače (18).
2. Průsečík obou linií laseru Vám přesně ukáže středový bod vrtání.
3. Vyrovnějte svou značku na obrobku na kříž laseru.

10.5 Upnutí obrobku (obr. 7)

Zpracovávaný obrobek musí být možné bezpečně upnout. Nepracovávají žádné obrobky, které nelze upnout.

Vybrání v rychloupínači musí být vyrovnané do středu proti otvoru. Jinak mohou být vrták nebo sklíčidlo blokován rychloupínačem.

1. Umístěte obrobek s pomocí křížového laseru.
2. Uvolněte rychloupínací šroub (17).
3. Nechte rychloupínač (2) dosednout na obrobek.
4. Pro upnutí obrobku otáčejte rychloupínacím šroubem (17) ve směru hodinových ručiček.
5. Pro uvolnění rychloupínače (2) otáčejte rychloupínacím šroubem (17) proti směru hodinových ručiček.

10.6 Upínání větších obrobků (obr. 7)

Na větší obrobky použijte paralelní doraz (16):

1. Povolte křídlové šrouby pro paralelní doraz (15) a nasadte paralelní doraz (16) do drážek základní desky.
2. Pevně utáhněte křídlové šrouby pro paralelní doraz (15).
3. Vyrovnějte obrobek na paralelním dorazu (16) a upněte ho rychloupínačem (2).

Varování! U obrobků širších nebo delších než je horní strana stolu se postarejte o přiměřené podepření, např. pomocí podstavců nebo kozlíků.

Obrobky delší nebo širší než základní deska stolní vrtačky se mohou převrátit, pokud nejsou pevně podepřeny. Pokud se obrobek převrátí, může poškodit ochranu sklíčidla nebo řezný nástroj.

10.7 Nastavení otáček (obr. 1)

Správné otáčky musí být nastaveny podle zpracovávaného obrobku a podle průměru nástroje.

10.7.1 Elektronická regulace otáček

Otáčky lze plynule nastavit pomocí elektronické regulace otáček:

Otáčky nastavte s pomocí regulátoru otáček (12).

Aktuální otáčky lze zjistit podle značení na regulátoru otáček (12).



10.8 Zapínání / Vypínání (obr. 1)

Zapnutí: Stiskněte spínač (11) pro zapnutí přístroje.

Vypnutí: Stiskněte vypínač (10) pro vypnutí přístroje.

10.9 Proces vrtání (obr. 1, 7)

1. Vyrovnajte obrobek a upněte ho.
2. Spusťte přístroj a nastavte otáčky.
3. Za účelem vrtání pohybně rukojeť (8) s rovnoměrným posuvem, až dosáhnete požadované hloubky vrtání. Při vrtání kovů vždy krátce přerušete posuv, abyste zlomili třísku.
4. Po dosažení hloubky vrtání vraťte rukojeť (8) zase zpět do výchozí pozice.
5. Přístroj vypněte.

11. Přeprava

⚠ **Varování!** Před přesunem vytáhněte sířovou zástrčku!

- Pro přepravu držte elektrický nástroj na základní desce (1).

12. Čištění a údržba

⚠ **Varování!** Před každým nastavením, údržbou nebo opravou vytáhněte sířovou zástrčku!

12.1 Všeobecná opatření údržby

⚠ **Práce, které nejsou popsány v tomto návodu k obsluze, svěřte odborné dílně. Používejte pouze originální díly. Před veškerými pracemi údržby a čištění nechte přístroj vychladnout.**

⚠ **Hrozí nebezpečí popálení!**

Zkontrolujte přístroj před každým použitím, zda nevykazuje zjevné vady, jako např. volné, opotřebené nebo poškozené díly, a zda šrouby nebo ostatní díly správně sedí. Poškozené díly vyměňte.

12.2 Čištění

Nepoužívejte žádná čisticidla, resp. rozpouštědla. Chemické látky mohou narušit plastové díly přístroje. Přístroj nikdy nečistěte pod tekoucí vodou.

- Přístroj důkladně vyčistěte po každém použití.
- Vyčistěte větrací otvory a povrch přístroje měkkým kartáčem, štětcem nebo tkaninou.
- Třísky, prach a nečistoty případně odstraňte vysavačem.
- Pravidelně mažte pohyblivé díly.

12.3 Údržba

V přístroji nejsou žádné díly vyžadující údržbu.

12.4 Výměna skličidla (obr. 1, 5, 10)

⚠ **Varování!** Vytáhněte sířovou zástrčku!

Potřebný nástroj (není obsažen v rozsahu dodávky):
1x vidlicový klíč 27 mm

- Nástavec odeberte, jak je popsáno v bodu 10.3.2.
- Upínací pouzdro (D) pevně utáhněte tak, že budete otáčet klíčem na utahování skličidla (22) ve směru chodu hodinových ručiček.
- Během utahování matice (F) vidlicovým klíčem (27 mm) ve směru chodu hodinových ručiček směrem dolů přidrže skličidlo (14) pevně rukou.
- Po uvolnění ze sedla hřídele lze skličidlo (14) vyjmout.
- Nové skličidlo upevněte v obráceném pořadí.

K výměně skličidla je třeba použít pouze skličidla schválená výrobcem.

Objednávací číslo: 390 6814 001

12.5 Servisní informace

Je nutno dbát na to, že v případě tohoto výrobku následující díly podléhají opotřebením, které je dáno používáním nebo se tak děje přirozeně, příp. že na následující díly je pohlíženo jako na spotřební materiál.

Rychle opotřebitelné díly*: Uhlíkové kartáče, vrtáky

* není nutně zahrnuto v obsahu dodávky!

13. Skladování

Uložte přístroj a jeho příslušenství na tmavém, suchém místě, chráněném před mrazem a nedostupným pro děti. Optimální skladovací teplota se pohybuje mezi 5 a 30 °C.

Elektrický přístroj uchovávejte v originálním obalu.

Elektrický přístroj zakryjte, aby byl chráněn před prachem nebo vlhkem.

Návod k obsluze uložte u přístroje.

14. Elektrické připojení

Instalovaný elektromotor je připojen v provozuschopném stavu. Přípojka musí odpovídat příslušným předpisům VDE a DIN. Těmto předpisům musí odpovídat sířová přípojka zákazníka i použité prodlužovací kabely.

14.1 Důležité pokyny

Při přetížení se motor sám vypne. Po určité době na vychladnutí (čas se liší) je možné motor znovu zapnout.

14.2 Poškozená elektrická napájecí vedení

U elektrických přívodních kabelů často dochází k poškození izolace.

Jeho příčinami mohou být:

- Smáčknutá místa, je-li přívodní kabel veden oknem nebo šterbinou ve dveřích.
- Prohnutí kvůli nevhodnému upevnění nebo vedení přívodního kabelu.
- Zlomení kvůli přejíždění přes přívodní kabel.
- Poškození izolace kvůli vytržení z elektrické zásuvky ve stěně.
- Praskliny v důsledku stárnutí izolace.

Tyto vadné elektrické přívodní kabely nesmí být používány a kvůli poškození izolace jsou životu nebezpečné.

Pravidelně kontrolujte, zda elektrické přívodní kabely nejsou poškozeny. Dávejte pozor, aby nebyl přívodní kabel při kontrole připojen do elektrické sítě.

Elektrické přívodní kabely musí odpovídat příslušným předpisům VDE a DIN. Používejte pouze přípojné vedení s označením „H05VV-F“.

Uvedení typového označení na přívodním kabelu je povinné.

Pokud je zapotřebí výměna přípojného vedení, musí to provést výrobce nebo jeho zástupce, aby se zabránilo bezpečnostním rizikům.

14.3 Motor na střídavý proud

Napětí v síti musí činit 220 - 240 V~ 50Hz.

- Prodlužovací kabely do délky 25 m mít průměr 1,5 milimetru čtverečního.

Připojení a opravy elektrického vybavení mohou provádět pouze odborní elektrikáři.

Při zpětných dotazech uvádějte prosím tyto údaje:

- Typ proudu napájecího motor
- Údaje z typového štítku motoru

15. Likvidace a recyklace

Zařízení je v obalu, aby se zabránilo přepravním škodám. Tento obal je surovina a lze ho tudíž recyklovat nebo vrátit do oběhu surovin.

Zařízení a jeho příslušenství se skládají z různých materiálů, jako např. kov a plasty. Vadné součásti zlikvidujte jako speciální odpad. Zeptejte se ve specializovaném obchodě nebo na správě obce!



Obal se skládá z ekologických materiálů, které lze recyklovat v místních sběrných místech.

O možnostech likvidace vysloužilého přístroje vám podá informace správa vaší obce nebo vašeho města.

16. Odstraňování poruch

Porucha	Možná příčina	Řešení
Přístroj se nespouští	Motor, kabel nebo zástrčka jsou vadné, aktivovala se hlavní pojistka	Zkontrolujte zásuvku, síťové vedení, kabely, síťovou zástrčku, popř. zajistěte opravu od elektrikáře. Zkontrolujte hlavní pojistku
	Vadný spínač/vypínač (11/10)	Oprava prostřednictvím zákaznického servisu
	Vadný motor	Oprava prostřednictvím zákaznického servisu
Silné vibrace	Základní deska (1) neupevněná	Zajistěte stroj na pracovním stole apod.
	Nástroj není upnutý centrálně	Zkontrolujte nástroj ve sklíčidle (14)
Motor se lehce přehřívá	Přetížení motoru, nedostatečné chlazení motoru.	Zamezte přetížení motoru při vrtání. Odstraňte z motoru prach, aby bylo zajištěno jeho optimální větrání.
Motor je příliš hlučný	Poškozená vinutí, vadný motor	Kontrola prostřednictvím zákaznického servisu

Odpadní zařízení nesmějí být likvidována spolu s domácím odpadem!



Tento symbol upozorňuje, že tento výrobek nesmí být podle směrnice o odpadních elektrických a elektronických zařízeních (2012/19/EU) a vnitrostátních zákonů likvidován spolu s domácím odpadem. Tento výrobek musí být odevzdán na sběrné místě určeném k tomuto účelu. To lze provést například vrácením při nákupu podobného výrobku nebo odevzdáním v autorizovaném sběrném místě pro recyklaci odpadních elektrických a elektronických zařízení. Nesprávné zacházení s odpadními zařízeními může mít vzhledem k potenciálně nebezpečným látkám, které jsou v odpadních elektrických a elektronických zařízeních často obsaženy, negativní dopad na životní prostředí a lidské zdraví. Správnou likvidací tohoto výrobku přispíváte také k efektivnímu využívání přírodních zdrojů. Informace o sběrných střediscích pro odpadní zařízení můžete získat u svého magistrátu, veřejnoprávní instituce pro nakládání s odpady, autorizovaného orgánu pro likvidaci odpadních elektrických a elektronických zařízení nebo služby svozu odpadu.

17. Záruční list

Vážena zakaznice, vážený zakazníku,

naše výrobky podléhají přísné kontrole kvality. Pokud i přesto tento přístroj bezvadně nefunguje, velice toho litujeme a prosíme Vás, abyste se obrátili na náš zákaznický servis, jehož adresa je uvedena na tomto záručním listu. Rádi Vám budeme k dispozici také telefonicky na níže uvedeném servisním čísle. Pro uplatňování nároků na záruku platí následující:

- Tyto záruční podmínky upravují dodatečný záruční servis. Vašich zákonných nároků na záruku se tato záruka netýká. Náš záruční servis je pro Vás bezplatný.
- Záruční servis se vztahuje výhradně na nedostatky, které lze odvodit z vad materiálu nebo výrobních vad a je také omezen pouze na odstranění těchto nedostatků, resp. výměnu přístroje. Dbejte prosím na to, že naše přístroje nebyly podle svého účelu určeny konstruovány pro živnostenské, řemeslnické nebo průmyslové použití. Záruční smlouva tak není realizována, pokud byl přístroj používán v živnostenských, řemeslných nebo průmyslových podnicích a při srovnatelných činnostech. Z naší záruky je dále vyloučeno poskytnutí náhrady za dopravní škody, škody způsobené nedodržováním montážního návodu nebo z důvodů neodborné instalace, nedodržování návodu k použití (jako např. připojení na chybné síťové napětí nebo druh proudu), nedovoleného nebo neodborného používání (jako např. přetížení přístroje nebo použití neschválených vložných nástrojů nebo příslušenství), nedodržování pokynů pro údržbu a bezpečnostních pokynů, vniknutí cizích těles do přístroje (jako např. písek, kameny nebo prach), použití násilí nebo poškození v důsledku cizích vlivů (jako např. škody způsobené pádem), jakož také běžného opotřebení způsobeného používáním.

Nárok na záruku zaniká, pokud bylo do přístroje již zasahováno

- Záruční doba činí 3 roky a začíná datem koupě přístroje. Nároky na záruku před vypršením záruční doby je třeba uplatňovat během dvou týdnů od zjištění defektu. Uplatňování nároků na záruku po vypršení záruční doby je vyloučeno. Oprava nebo výměna přístroje nevede k prodloužení záruční doby, ani k zahájení nové záruční doby za provedený výkon pro přístroj nebo pro případné zamontované náhradní díly. Toto platí také v případě servisu v místě Vašeho bydliště.
- Pro uplatnění nároku ze záruky se prosím obraťte na adresu servisu uvedenou dole. Pokud se reklamáce uplatňuje v záruční době, dáme Vám k dispozici formulář pro vrácení, pomocí kterého nám můžete vadný přístroj zdarma zaslat zpět. Popište nám prosím pokud možno přesně důvod reklamáce. Je-li defekt přístroje v našem záručním servisu obsažen, obdržíte obratem opravený nebo nový přístroj.

Samozřejmě rádi za úhradu nákladů odstraníme defekty na přístroji, které nespadají nebo již nespadají do rozsahu záruky. K tomu nám přístroj prosím zašlete na naši servisní adresu.

Servisní horká linka (CZ):

+800 4003 4003

(0,00 €/Min.)

Adresa elektronické pošty (CZ):

service.CZ@schepach.com

Adresa servisního střediska (CZ):

GARLAND distributor s.r.o.

Hradecká 1136

CZ - 50601 Jicín




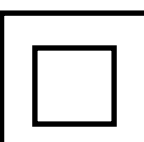



Na stránkách www.lidl-service.com si můžete stáhnout tyto a mnoho dalších manuálů, produktových videí a instalačních softwarů.

Pomocí kódu QR můžete přímo na stránce servisních služeb Lidl (www.lidl-service.com) otevřít svůj návod k obsluze zadáním čísla výrobku (IAN) 361816_2010.

1.	Objaśnienie symboli na urządzeniu	55
2.	Wprowadzenie	56
3.	Opis urządzenia (rys. 1-11).....	56
4.	Zakres dostawy	56
5.	Użytkowanie zgodne z przeznaczeniem.....	56
6.	Wskazówki dotyczące bezpieczeństwa	57
7.	Dane techniczne.....	59
8.	Przed uruchomieniem.....	59
9.	Montaż	60
10.	Obsługa	60
11.	Transport.....	61
12.	Czyszczenie i konserwacja	61
13.	Przechowywanie	62
14.	Przyłącze elektryczne	62
15.	Utylizacja i ponowne wykorzystanie	62
16.	Pomoc dotycząca usterek.....	63
17.	Gwarancja	64
18.	Deklaracja zgodności.....	99

1. Objąsnienie symboli na urządzeniu

	<p>PL</p>	<p>Ostrzeżenie! W przypadku nieprzestrzegania występuje zagrożenie życia, niebezpieczeństwo odniesienia obrażeń lub uszkodzenia narzędzia!</p>	
	<p>PL</p>	<p>Przed uruchomieniem należy przeczytać niniejszą instrukcję obsługi i przestrzegać wskazówek dotyczących bezpieczeństwa!</p>	
	<p>PL</p>	<p>Nosić okulary ochronne!</p>	
	<p>PL</p>	<p>Nosić naszniki ochronne!</p>	
	<p>PL</p>	<p>W przypadku emisji pyłu nosić maskę chroniącą drogi oddechowe!</p>	
	<p>PL</p>	<p>Nie należy nosić długich włosów rozpuszczonych. Używać siatki ochronnej.</p>	
	<p>PL</p>	<p>Nie zakładać rękawic.</p>	
	<p>PL</p>	<p>Klasa ochronności II (podwójna izolacja)</p>	
 <p>Achtung! - Laserstrahlung Nicht in den Strahl blicken! Laser Klasse 2 Laserspezifikation nach EN 60825-1:2014 λ = 650 nm P < 1 mW</p>	<p>PL</p>	<p>Uwaga! Promieniowanie laserowe</p>	<p>rys. 8, 9</p>

2. Wprowadzenie

PRODUCENT:

scheppach

Fabrikation von Holzbearbeitungsmaschinen GmbH
Günzburger Straße 69
D-89335 Ichenhausen

SZANOWNY KLIENCIE,

Życzymy dużo satysfakcji i powodzenia podczas pracy z nowym urządzeniem.

WSKAZÓWKA:

Zgodnie z obowiązującą ustawą o odpowiedzialności cywilnej za produkt, producent nie odpowiada za szkody powstałe przy tym urządzeniu lub przez to urządzenie w przypadku:

- nieprawidłowej obsługi,
- nieprzestrzegania instrukcji obsługi,
- napraw wykonywanych przez osoby trzecie, specjalistów nieautoryzowanych,
- montażu i wymiany nieoryginalnych części zamiennych,
- użytkowania niezgodnego z przeznaczeniem,
- Awarii instalacji elektrycznej w przypadku nieprzestrzegania przepisów elektrycznych oraz postanowień VDE 0100, DIN 57113 / VDE0113.

Przestrzegać:

Przed przystąpieniem do montażu i uruchomienia przeczytać cały tekst instrukcji obsługi.

Instrukcja obsługi ma na celu ułatwienie zapoznania się z urządzeniem i wykorzystania możliwości użytkowania go zgodnie z przeznaczeniem.

Instrukcja obsługi zawiera ważne wskazówki dotyczące bezpiecznej, fachowej i ekonomicznej pracy z niniejszym urządzeniem oraz sposobu unikania zagrożeń, oszczędności kosztów napraw, redukcji czasów przestoju i zwiększenia niezawodności i trwałości urządzenia.

Dodatkowo oprócz zasad bezpieczeństwa zawartych w niniejszej instrukcji obsługi należy przestrzegać przepisów danego kraju obowiązujących dla eksploatacji urządzenia.

Instrukcję obsługi przechowywać przy urządzeniu, w torebce plastikowej chroniącej przed zanieczyszczeniem i wilgocią. Każda osoba obsługująca musi przeczytać ją przed przystąpieniem do pracy i dokładnie jej przestrzegać.

Przy urządzeniu mogą pracować wyłącznie osoby, które zostały przeszkolone w zakresie użytkowania urządzenia i poinformowane o związanych z tym zagrożeniach. Przestrzegać ustawowego wieku minimalnego.

Oprócz wskazówek dotyczących bezpieczeństwa zawartych w niniejszej instrukcji obsługi i specjalnych przepisów danego kraju należy przestrzegać ogólnie uznanych zasad technicznych dotyczących eksploatacji maszyn o tej samej budowie. Nie ponosimy odpowiedzialności za wypadki ani szkody powstałe wskutek nieprzestrzegania niniejszej instrukcji oraz wskazówek bezpieczeństwa.

3. Opis urządzenia (rys. 1-11)

1. Płyta podstawowa
2. Zaciskacz
3. Kolumna
4. Regulacja wysokości listwy zębatej
5. Regulacja wysokości dźwigni zaciskowej
6. Ogranicznik głębokości dźwigni zaciskowej
7. Ogranicznik głębokości
8. Rękojeść
9. Wskaźnik ogranicznika głębokości
10. Wyłącznik
11. Włącznik
12. regulator prędkości obrotowej
13. Element dystansowy
14. Uchwyt wiertarski
15. Śruby skrzydełkowe dla ogranicznika równoległego
16. Ogranicznik równoległy
17. Śruba szybkozamykająca
18. Włącznik/wyłącznik lasera
19. Wkręt z rowkiem krzyżowym (wskaźnik)
20. Skala
21. Klucz imbusowy, 4 mm
22. Klucz uchwytu wiertarskiego
23. Oznaczenie

4. Zakres dostawy

- 1 wiertarka
- 1 zaciskacz (2)
- 1 płyta podstawowa (1)
- 1 ogranicznik równoległy (16)
- 1 element dystansowy (13)
- 1 rękojeść (8)
- 1 ogranicznik głębokości (7)
- 1 dźwignia zaciskowa (6)
- 1 klucz imbusowy, 4 mm (21)
- 1 klucz uchwytu wiertarskiego (22)
- 1 instrukcja obsługi
- 1 materiały montażowe

5. Użytkowanie zgodne z przeznaczeniem

Wiertarka stołowa jest przeznaczona do wiercenia w metalu, drewnie, tworzywie sztuczne i glazurze.

Obszar mocowania uchwytu wiertarskiego: 1,5 - 13 mm.

Urządzenie jest przeznaczone do zastosowania w warsztatach domowych. Nie jest zaprojektowane do stałego użytku komercyjnego. Urządzenie nie jest przeznaczone do użytku przez osoby poniżej 16 roku życia. Młodzież powyżej 16 roku życia może używać urządzenia tylko pod nadzorem. Producent nie ponosi odpowiedzialności za szkody spowodowane użytkowaniem niezgodnym z przeznaczeniem lub nieprawidłową obsługą urządzenia.

Należy pamiętać, że zgodnie z przeznaczeniem nasze urządzenia nie zostały skonstruowane do użytku komercyjnego, rzemieślniczego lub przemysłowego. Nie ponosimy odpowiedzialności w przypadku, gdy urządzenie jest stosowane w zakładach komercyjnych, rzemieślniczych i przemysłowych oraz do podobnych działalności.

6. Wskazówki dotyczące bezpieczeństwa

Ogólne wskazówki dotyczące bezpieczeństwa dla narzędzi elektrycznych

⚠ OSTRZEŻENIE! Należy przeczytać wszystkie wskazówki dotyczące bezpieczeństwa i instrukcje oraz przestudiować wszystkie ilustracje i parametry techniczne dostarczone wraz z niniejszym narzędziem elektrycznym. Nieprzestrzeganie poniższych wskazówek bezpieczeństwa i instrukcji może doprowadzić do porażenia prądem, pożaru i/lub poważnych obrażeń.

Przechowywać na przyszłość wszystkie wskazówki dotyczące bezpieczeństwa i instrukcje.

Używany we wskazówkach dotyczące bezpieczeństwa termin „narzędzie elektryczne” odnosi się do elektronarzędzi zasilanych z sieci (z przewodem sieciowym) lub do narzędzi elektrycznych zasilanych za pomocą akumulatora (bez przewodu sieciowego).

Bezpieczeństwo w miejscu pracy

- a) **Utrzymywać obszar roboczy w czystości i zapewnić dobre oświetlenie.**
Nieporządek lub brak oświetlenia obszaru roboczego może prowadzić do wypadków.
- b) **Nie pracować z narzędziem elektrycznym w otoczeniu zagrożonym wybuchem, w którym znajdują się palne płyny, gazy lub pyły.**
Narzędzia elektryczne wytwarzają iskry, które mogą spowodować zapłon pyłu lub oparów.
- c) **Nie dopuszczać, aby dzieci i inne osoby zbliżyły się do obszaru roboczego podczas używania narzędzia elektrycznego.**
W chwili nieuwagi można łatwo stracić kontrolę nad narzędziem elektrycznym.

Bezpieczeństwo elektryczne

- a) **Wtyczka przyłączeniowa narzędzia elektrycznego musi pasować do gniazda.**
Wtyczki nie wolno w żaden sposób modyfikować. Nie używać żadnych przejściówek z uziemionymi narzędziami elektrycznymi. Niemodyfikowane wtyczki i odpowiednie gniazda zmniejszają ryzyko porażenia prądem.
- b) **Unikać kontaktu fizycznego z uziemionymi powierzchniami, takimi jak rury, grzejniki, piece i lodówki. Ryzyko porażenia prądem zwiększa się, jeśli ciało użytkownika jest uziemione.**
- c) **Nie wystawiać narzędzi elektrycznych na deszcz i wilgoć.**
Przedostanie się wody do narzędzia elektrycznego zwiększa ryzyko porażenia prądem.

- d) **Nie wykorzystywać przewodu przyłączeniowego niezgodnie z przeznaczeniem w celu przeniesienia, zawieszania narzędzia elektrycznego lub w celu wyjęcia wtyczki z gniazda.**

Przewód przyłączeniowy przechowywać z dala od gorąca, oleju, ostrych krawędzi lub ruchomych części urządzeń. Uszkodzone lub splątane przewody przyłączeniowe zwiększają ryzyko porażenia prądem.

- e) **W przypadku pracy z narzędziem elektrycznym na wolnym powietrzu, używać wyłącznie przedłużaczy przeznaczonych również do pracy w warunkach zewnętrznych.**
Zastosowanie kabla przedłużającego przystosowanego do warunków zewnętrznych zmniejsza ryzyko porażenia prądem.
- f) **Jeżeli użycie narzędzia elektrycznego w wilgotnym otoczeniu jest nieuniknione, używać wyłącznika ochronnego prądowego.**
Zastosowanie wyłącznika ochronnego prądowego zmniejsza ryzyko porażenia prądem.

Bezpieczeństwo osób

- a) **Podczas pracy z narzędziem elektrycznym należy być ostrożnym, zwracać uwagę na wykonywane czynności i zachowywać zdrowy rozsądek. Nie używać narzędzia elektrycznego w stanie zmęczenia lub też będąc pod wpływem narkotyków, alkoholu lub leków.** Chwila nieuwagi podczas używania narzędzia elektrycznego może spowodować poważne obrażenia.
- b) **Stosować środki ochrony indywidualnej i nosić zawsze okulary ochronne.**
Stosowanie środków ochrony indywidualnej, jak maska przeciwpyłowa, antypoślizgowe obuwie ochronne, kask lub naszniki ochronne, w zależności od rodzaju i zastosowania narzędzia elektrycznego, zmniejsza ryzyko odniesienia obrażeń.
- c) **Nie dopuszczać do niezamierzonego uruchomienia. Przed podłączeniem do zasilania i/lub akumulatora, podnoszeniem lub przenoszeniem upewnić się, że narzędzie elektryczne jest wyłączone.** Trzymając palec na przełączniku podczas przenoszenia elektronarzędzia, lub gdy urządzenie pozostaje włączone podczas go podłączania do sieci można doprowadzić do wypadków.
- d) **Przed włączeniem narzędzia elektrycznego usunąć narzędzia nastawcze lub klucze płaskie.**
Narzędzie lub klucz znajdujące się w obracającej się części narzędzia elektrycznego może prowadzić do powstania obrażeń.
- e) **Unikać nietypowej pozycji ciała. Zadbać o stabilną pozycję i zachowanie równowagi w każdej chwili.** Pozwala to na lepszą kontrolę narzędzia elektrycznego w niespodziewanych sytuacjach.
- f) **Nosić odpowiednią odzież. Podczas pracy nie nosić luźnej odzieży i biżuterii. Włosy, odzież i rękawice trzymać z dala od części ruchomych.** Luźna odzież, biżuteria lub długie włosy mogą zostać pochwycone przez części ruchome.

- g) **Jeżeli istnieje możliwość zamontowania urządzeń odsysających i odpylających, upewnić się, że są one podłączone i mogą być prawidłowo używane.**

Zastosowanie odsysania pyłu może zmniejszyć zagrożenia spowodowane przez pył.

- h) **Przestrzegamy przed złudnym poczuciem bezpieczeństwa i ignorowaniem zasad bezpieczeństwa dla elektronarzędzi, również gdy użytkownik w wyniku wielokrotnego użycia jest zaznajomiony z obsługą elektronarzędzia.** Brak czujności może w ułamku sekundy doprowadzić do powstania ciężkich obrażeń.

Zastosowanie i obsługa narzędzia elektrycznego

- a) **Nie przeciążać narzędzia elektrycznego.**

Używać narzędzia elektrycznego przeznaczonego do danej pracy. Odpowiednie narzędzie elektryczne umożliwia lepszą i bezpieczniejszą pracę w podanym zakresie mocy.

- b) **Nie używać narzędzia elektrycznego, którego włącznik jest uszkodzony. Narzędzie elektryczne, którego nie da się już włączyć lub wyłączyć, jest niebezpieczne i musi zostać naprawione.**

- c) **Przed rozpoczęciem ustawień, wymianą osprzętu lub odłożeniem elektronarzędzia należy wyjąć wtyczkę z gniazda i/lub usunąć wyjmowany akumulator.**

Ten środek ostrożności zapobiega niezamierzonemu uruchomieniu narzędzia elektrycznego.

- d) **Nie używane narzędzia elektryczne przechowywać poza zasięgiem dzieci.**

Nie zezwalać na używanie narzędzia elektrycznego osobom, które nie są z nim obeznane lub nie przeczytały niniejszych instrukcji. Narzędzia elektryczne stanowią zagrożenie, jeśli są używane przez niedoświadczonych osoby.

- e) **Należy dbać należyście o narzędzia elektryczne i osprzęt.**

Kontrolować, czy części ruchome działają prawidłowo i nie zacinają się, czy części nie są pęknięte lub uszkodzone w sposób wpływający negatywnie na działanie narzędzia elektrycznego. Przed zastosowaniem narzędzia elektrycznego zapewnić naprawę uszkodzonych części. Wiele wypadków jest spowodowanych nieprawidłową konserwacją narzędzi elektrycznych.

- f) **Narzędzia tnące muszą być ostre i utrzymywane w stanie czystości. Starannie konserwowane narzędzia tnące z krawędziami tnącymi rzadziej się zacinają i są łatwiejsze w obsłudze.**

- g) **Używać narzędzi elektrycznych, akcesoriów, narzędzi roboczych itd. zgodnie z niniejszymi instrukcjami.**

Uwzględnić warunki pracy i wykonywane czynności. Używanie narzędzia elektrycznego do zastosowań innych, niż przewidziane, może prowadzić do niebezpiecznych sytuacji.

- h) **Uchwyty i powierzchnie chwytowe utrzymywać w stanie suchym, czystym i wolnym od oleju i smaru.** Śliskie uchwyty i powierzchnie chwytowe nie pozwalają na bezpieczne trzymanie elektronarzędzia i kontrolę nad nim w nieoczekiwanych sytuacjach.

Serwis

- a) **Naprawę narzędzia elektrycznego może wykonywać wyłącznie wykwalifikowany personel i tylko przy użyciu oryginalnych części zamiennych.** Zapewnia to bezpieczeństwo dalszej pracy narzędzia elektrycznego.

Wskazówki bezpieczeństwa dotyczące wiertarek

- a) **Wiertarkę należy zabezpieczyć.** Nieprawidłowo zamocowana wiertarka może się poruszyć lub przewrócić, a wskutek tego spowodować obrażenia ciała.

- b) **Obrabiany przedmiot należy zacisnąć lub zamocować w uchwycie narzędziowym. Nie wiercić w obrabianych przedmiotach, które są za małe, aby je bezpiecznie zacisnąć.** Przytrzymywanie obrabianego przedmiotu ręką może powodować obrażenia.

- c) **Nie zakładać rękawic.** Rękawice mogą zostać pochwycone przez obracające się elementy lub wióry z wiercenia i spowodować obrażenia ciała.

- d) **Nie sięgać do obszaru wiercenia podczas pracy elektronarzędzia.** Kontakt z obracającymi się elementami lub wiórami z wiercenia może spowodować obrażenia ciała.

- e) **Narzędzie wiertnicze musi się obracać przed skierowaniem go do obrabianego przedmiotu.** W przeciwnym razie narzędzie wiertnicze może się zaczepić w obrabianym przedmiocie i spowodować nieoczekiwany ruch obrabianego przedmiotu, a wskutek tego obrażenia ciała.

- f) **Jeżeli narzędzie wiertnicze zablokuje się, nie dociskać dalej w dół i wyłączyć elektronarzędzie. Sprawdzić i usunąć przyczynę blokady.** Zablokowanie może wywołać nieoczekiwany ruch obrabianego przedmiotu i spowodować obrażenia ciała.

- g) **Unikać długich wiórów z wiercenia, przerywając regularnie docisk w dół.** Ostre wióry metalowe mogą się zaplątać i spowodować obrażenia.

- h) **Nigdy nie usuwać wiórów z wiercenia z obszaru wiercenia podczas pracy elektronarzędzia. W celu usunięcia wiórów odsunąć narzędzie wiertnicze od obrabianego przedmiotu, wyłączyć elektronarzędzie i poczekać na zatrzymanie się narzędzia wiertniczego. Do usunięcia wiórów użyć środków pomocniczych, takich jak szczotka lub hak.** Kontakt z obracającymi się elementami lub wiórami z wiercenia może spowodować obrażenia ciała.

- i) **Dopuszczalna prędkość obrotowa narzędzia roboczego musi być co najmniej tak duża, jak maksymalna prędkość obrotowa podana na elektronarzędziu.** Akcesoria obracające się z prędkością większą niż dopuszczalna mogą się złamać lub zostać wyrzucone.



**Uwaga: Nie kierować wzroku
Nie patrzeć w kierunku promieni lasera
Klasa lasera 2**



Chronić siebie i swoje otoczenie przed zagrożeniami związanymi z wypadkami, stosując odpowiednie środki ostrożności!

- Nie patrzeć bezpośrednio w wiązkę lasera niezabezpieczonym okiem.
- Nigdy nie patrzeć bezpośrednio w drogę wiązki.
- Nigdy nie kierować wiązki lasera na powierzchnie odbijające światło oraz osoby lub zwierzęta. Nawet wiązka lasera o małej mocy może spowodować uszkodzenie oka.
- Uwaga - jeżeli stosowane są procedury inne niż określone tutaj, może to spowodować niebezpieczne narażenie na promieniowanie.
- Nigdy nie otwierać modułu laserowego. Może wystąpić nieoczekiwane narażenie na działanie promieniowania.
- Lasera nie wolno zastępować laserami innego typu.
- Prace naprawcze przy laserze mogą być wykonywane wyłącznie przez producenta lub autoryzowanego przedstawiciela.
- Oznaczenie i miejsce umieszczenia naklejki ostrzegawczej patrz rys. 8 i 9


⚠ OSTRZEŻENIE! Niniejsze narzędzie elektryczne wytwarza podczas pracy pole elektromagnetyczne. Pole to może w pewnych okolicznościach wpływać negatywnie na aktywne lub pasywne implanty medyczne. W celu zmniejszenia ryzyka poważnych lub śmiertelnych obrażeń, osobom z implantami medycznymi przed użyciem narzędzia elektrycznego zalecamy konsultację z lekarzem i producentem.

Ryzyka szczątkowe

Nawet jeśli niniejsze narzędzie elektryczne jest obsługiwane zgodnie z instrukcją, zawsze pozostaje ryzyko szczątkowe. Poniższe zagrożenia mogą wystąpić w związku z konstrukcją i wersją niniejszego elektronarzędzia:

- Obrażenia dróg oddechowych w przypadku niestosowania odpowiedniej maski przeciwpyłowej.
- Uszkodzenie słuchu w razie niezakładania odpowiednich naszynek ochronnych.
- Uszczerbek na zdrowiu spowodowany drganiem rąk i ramion w przypadku używania urządzenia przez dłuższy czas lub prowadzenia czy też konserwowania go w sposób nieprawidłowy.

7. Dane techniczne

Silnik prądu przemiennego.....	220 - 240 V~, 50 Hz
Moc S1	710 Watt
Tryb pracy.....	S2 5min* 900W
Prędkość obrotowa na biegu jałowym n_0	500 - 2600 min ⁻¹
Obszar mocowania uchwytu wiertarskiego.....	1,5 - 13 mm.
Skok wiercenia maks.....	70 mm
Maks. płyta podstawowa	320 x 305 mm
Odstęp pomiędzy uchwytem wiertarskim a płytą podłogową	280 mm
Ciężar ok.	8,3 kg
Klasa ochrony	II / 
Klasa lasera.....	2
Długość fali lasera.....	650 nm
Moc lasera	< 1 mW

* Po nieprzerwanej pracy przez 5 minut następuje przerwa do momentu, aż temperatura urządzenia będzie się różnić o mniej niż 2 K (2 C) od temperatury otoczenia.

Element obrabiany musi posiadać minimalną wysokość wynoszącą 3 mm oraz szerokość wynoszącą 45 mm.

Zwrócić uwagę, by element obrabiany był zawsze zabezpieczony uchwytem mocującym.

Zwisające przedmioty obrabiane mogą wymagać podparcia bocznego przez dodatkowe króćce.

Hałas

Hałas tej piły został zmierzony zgodnie z EN 62841.

Poziom ciśnienia akustycznego L_{pA}	89,6 dB(A)
Niepewność K_{pA}	3 dB
Poziom ciśnienia akustycznego L_{WA}	102,6 dB(A)
Niepewność K_{WA}	3 dB

Nosić naszynek ochronny.

Hałas może powodować utratę słuchu.

Podane wartości emisji hałasu zostały zmierzone według znormalizowanej metody badań i mogą zostać użyte w celu porównania danego narzędzia elektrycznego z innym.

Podane wartości emisji hałasu mogą zostać wykorzystane również do wykonania tymczasowego oszacowania obciążenia.

Ostrzeżenie:

- W trakcie rzeczywistego użytkowania narzędzia elektrycznego wartości emisji hałasu mogą różnić się od podanych wartości, w zależności od rodzaju i sposobu zastosowania narzędzia elektrycznego, a w szczególności rodzaju przedmiotu obrabianego.
- Ograniczać obciążenie do minimum. Przykładowe środki zaradcze: ograniczenie czasu pracy. Przy tym należy uwzględnić wszystkie części cyklu eksploatacyjnego (np. czas, w którym elektronarzędzie jest wyłączone, oraz czas, w którym narzędzie jest włączone, ale pracuje bez obciążenia).

8. Przed uruchomieniem

- Otworzyć opakowanie i wyjąć ostrożnie urządzenie.
- Usunąć materiał opakowaniowy oraz zabezpieczenia opakowania transportowe (jeśli występują).
- Sprawdzić, czy zakres dostawy jest kompletny.
- Sprawdzić urządzenie i elementy wyposażenia pod kątem uszkodzeń transportowych.
- W miarę możliwości zachować opakowanie do zakończenia okresu gwarancyjnego.

UWAGA

Urządzenie i materiały opakowaniowe nie mogą służyć jako zabawka dla dzieci! Dzieciom nie wolno bawić się workami z tworzywa sztucznego, foliami i drobnymi elementami! Istnieje niebezpieczeństwo połknięcia i uduszenia!

Przed podłączeniem do sieci upewnij się, że dane na tabliczce znamionowej są zgodne z parametrami sieci.

- Sprawdzić urządzenie pod kątem uszkodzeń transportowych. Wszelkie szkody zgłosić niezwłocznie firmie przewoźowej, która dostarczyła elektronarzędzie.
- Należy unikać długich przewodów (przedłużaczy).
- Nie używać elektronarzędzia w wilgotnym lub mokrym pomieszczeniu.
- Elektronarzędzie wolno eksploatować tylko w odpowiednich pomieszczeniach (dobrze wentylowanych).

9. Montaż

⚠ Uwaga!

Przed uruchomieniem urządzenie konieczne całkowicie zmontować!

⚠ Przed podłączeniem urządzenia do sieci elektrycznej upewnić się, że dane na tabliczce znamionowej są zgodne z danymi sieciowymi przyłącza.

⚠ **Ostrzeżenie!** Przed przystąpieniem do wykonywania ustawień przy urządzeniu zawsze wyciągać wtyczkę sieciową.

9.1 Montaż płyty podstawowej i kolumny (rys. 2)

1. Nasunąć zaciskacz (2) na kolumnę (3).
2. Włożyć kolumnę (3) na płytę podstawową (1) w taki sposób, aby czop prowadzący na dolnym końcu kolumny (3) zatrzasknął się w rowku uchwytu płyty podstawowej (1).
3. Dokręcić wstępnie zamontowane śruby mocujące (A) z tyłu płyty podstawowej (1) kluczem imbusowym (21).

9.2 Montaż ogranicznika równoległego (rys. 4)

1. Wsunąć ogranicznik równoległy (16) do rowków w płycie podstawowej (1).
2. Pamiętać, aby wpusty przesuwne wchodziły do rowków poniżej śrub skrzydełkowych dla ogranicznika równoległego (15).
3. Ustawić ogranicznik równoległy (16) w żądanej pozycji i dokręcić śruby skrzydełkowe ogranicznika równoległego (15).

9.3 Montaż rękojeści (rys. 2)

1. Zdjąć wstępnie zamontowaną śrubę mocującą (B).
2. Zwrócić uwagę na prawidłowe osadzenie elementu dystansowego (13).
3. Nasunąć rękojeść (8) na mocowanie (G) w sposób przedstawiony na rys. 2.
4. Nakrętkę (C) umieścić w wycięciu rękojeści (8), a następnie dokręcić śrubę mocującą (B).

9.4 Montaż ogranicznika głębokości (rys. 2)

1. Umieścić ogranicznik głębokości (7) od góry w wycięciu w obudowie.
2. Zamontować dźwignię zaciskową ogranicznika głębokości (6) w sposób przedstawiony na rys. 2.

9.5 Montaż na powierzchni roboczej (rys. 4)

Zamocować urządzenie na powierzchni roboczej przykręcając płytę podstawową (1) do powierzchni roboczej.

10. Obsługa

10.1 Regulacja wysokości (rys. 2, 3)

Pozycję głowicy maszyny można ustawiać w zależności od wysokości obrabianego przedmiotu lub długości narzędzia.

1. Przytrzymać mocno rękojeść (8).
2. Otworzyć dźwignię zaciskową regulacji wysokości (5).
3. Określić pozycję głowicy maszyny za pomocą rękojeści (8).
4. Zabezpieczyć pozycję głowicy maszyny dźwignią zaciskową regulacji wysokości (5).

Uwaga! W najniższej pozycji głowicy maszyny należy zwracać uwagę na to, by nie została ona przesunięta poza oznaczenie (23).

Zabezpieczyć głowicę maszyny w tej pozycji za pomocą dźwigni zaciskowej regulacji wysokości (5). W przeciwnym razie może dojść do uszkodzenia prowadnicy.

10.2 Ustawianie głębokości wiercenia (rys. 1, 11)

Za pomocą ogranicznika głębokości (7) można określić głębokość wiercenia.

1. Poluzować dźwignię zaciskową na ograniczniku głębokości (6).
2. Wykonać wiercenie próbne. Po osiągnięciu żądanej głębokości należy ponownie dociągnąć dźwignię zaciskową ogranicznika głębokości (6).
3. Ogranicznik głębokości (7) jest teraz zablokowany na żądanej głębokości wiercenia.
4. Następnie sprawdzić pozycję ogranicznika głębokości. Jeżeli wskazany wymiar nie jest zgodny z faktyczną głębokością wiercenia, wskaźnik można wyregulować (9).
 - Odkręcić wkręt z rowkiem krzyżowym (19) wskaźnika (9).
 - Ustawić wskaźnik (9) w odpowiedniej pozycji względem skali (20).
 - Ponownie dokręcić wkręt z rowkiem krzyżowym (19).

10.3 Zaciskanie/zwalnianie narzędzia (rys. 5, 6)

Ostrożnie! Nie należy pozostawiać włożonego klucza uchwytu wiertarskiego. Niebezpieczeństwo odniesienia obrażeń wskutek odrzucenia klucza do uchwytów wiertarskich.

10.3.1 Zaciskanie

1. Umieścić klucz uchwytu wiertarskiego (22).
2. Obrócić klucz uchwytu wiertarskiego (22) przeciwnie do ruchu wskazówek zegara, aby otworzyć tuleję mocującą (D).
3. Włożyć narzędzie robocze (E).
4. Przytrzymać narzędzie robocze (E).
5. Obrócić klucz uchwytu wiertarskiego (22) zgodnie z ruchem wskazówek zegara, aby otworzyć tuleję mocującą (D) i zabezpieczyć narzędzie robocze.
6. Sprawdzić narzędzie robocze (E) pod kątem stabilnego osadzenia.
7. Wyjąć ponownie klucz uchwytu wiertarskiego (22).

10.3.2 Zwalnianie

1. Umieścić klucz uchwytu wiertarskiego (22).
2. Obrócić klucz uchwytu wiertarskiego (22) przeciwnie do ruchu wskazówek zegara, aż do momentu wyjęcia narzędzia roboczego (E).
3. Wyjąć ponownie klucz uchwytu wiertarskiego (22).

10.4 Ustawianie obrabianego przedmiotu (rys. 1)

1. Włączyć laser krzyżowy przy pomocy włącznika/wyłącznika (18).
2. Punkt przecięcia obydwu linii laserowych wskazuje dokładnie środek wiertła.
3. Ustawić zaznaczenie na obrabianym przedmiocie na krzyżyku lasera.

10.5 Mocowanie obrabianego przedmiotu (rys. 7)

Obrabiany przedmiot należy bezpiecznie zamocować. Nie poddawać obróbce żadnych przedmiotów, których nie można zamocować.

Wycięcie docisku szybkoocucjącego musi być ustawione środkowo do otworu. W przeciwnym razie docisk szybkoocuczący może zablokować wiertło lub uchwyt wiertarski.

1. Ustawić obrabiany przedmiot za pomocą lasera krzyżowego.
2. Poluzować śrubę szybkoocuczącą (17).
3. Pozostawić zaciskacz (2) przyłożony do obrabianego przedmiotu.
4. Obrócić śrubę szybkoocuczącą (17) zgodnie z ruchem wskazówek zegara, aby zacisnąć obrabiany przedmiot.
5. W celu zwolnienia śruby szybkoocuczącej (2) obrócić śrubę szybkoocuczącą (17) przeciwnie do ruchu wskazówek zegara.

10.6 Zaciskanie większych obrabianych przedmiotów (rys. 7)

Dla większych obrabianych przedmiotów używać ogranicznika równoległego (16):

1. Odkręcić śruby motylkowe ogranicznika równoległego (15) i włożyć ogranicznik równoległy (16) do wpustów w płycie podstawowej.
2. Dokręcić śruby motylkowe dla ogranicznika równoległego (15).
3. Ustawić obrabiany przedmiot na ograniczniku równoległym (16) i zacisnąć go przy użyciu zacisku (2).

Ostrzeżenie! W przypadku obrabianych przedmiotów, które są szersze lub dłuższe niż powierzchnia stołu, należy zadbać o odpowiednie podparcie, np. przez dolny stelaż lub koźły do piłowania.

Obrabiane przedmioty, które są dłuższe lub szersze niż płyta podstawowa wiertarki stołowej, mogą przewrócić się, jeśli nie będą odpowiednio podparte. Jeżeli obrabiany przedmiot przechyli się, może uszkodzić osłonę uchwytu wiertarskiego lub narzędzie tnące.

10.7 Ustawianie prędkości obrotowej (rys.1)

Prawidłowa prędkość obrotowa musi być uzależniona od obrabianego przedmiotu i ustawiana odpowiednio do średnicy narzędzia.

10.7.1 Elektroniczna regulacja prędkości obrotowej

Za pomocą elektronicznej regulacji prędkości obrotowej można ustawiać bezstopniowo prędkość obrotową:

Ustawić prędkość obrotową z pomocą regulatora prędkości obrotowej (12).

Aktualną prędkość obrotową można odczytać na podstawie zaznaczenia na regulatorze prędkości obrotowej (12).



10.8 Włączanie / wyłączenie (rys. 1)

Włączanie: Nacisnąć włącznik (11), aby włączyć urządzenie.

Wyłączenie: Nacisnąć wyłącznik (10), aby wyłączyć urządzenie.

10.9 Proces wiercenia (rys. 1, 7)

1. Ustawić obrabiany przedmiot i zacisnąć.
2. U uruchomić urządzenie i ustawić prędkość obrotową.
3. W celu wykonania wiercenia, poruszać rękojeścią (8) z równomiernym posuwem do momentu osiągnięcia żądanej głębokości wiercenia. Podczas wiercenia w metalu przerwać na chwilę posuw, aby złamać wiór.
4. Po osiągnięciu głębokości wiercenia ustawić rękojeść (8) z powrotem w pozycji wyjściowej.
5. Wyłączyć urządzenie.

11. Transport

⚠ Ostrzeżenie! Przed transportem wyciągnąć wtyczkę sieciową!

- Podczas transportu trzymać elektronarzędzie za płytę podstawową (1).

12. Czyszczenie i konserwacja

⚠ Ostrzeżenie! Przed rozpoczęciem wszelkich prac związanych z ustawianiem, obsługą techniczną i naprawą wyciągnąć wtyczkę sieciową!

12.1 Ogólne czynności konserwacyjne

⚠ Przeprowadzanie prac, których nie opisano w niniejszej instrukcji eksploatacji, zlecać wyspecjalizowanym warsztatom. Należy stosować wyłącznie oryginalne części. Przed rozpoczęciem wszelkich prac konserwacyjnych i czyszczenia poczekać, aż urządzenie ostygnie.

⚠ Istnieje niebezpieczeństwo poparzenia!

Przed każdym użyciem urządzenia skontrolować je pod kątem widocznych wad, przykładowo poluzowane, zużyte lub uszkodzone części, prawidłowe osadzenie śrub lub innych elementów. Wymienić uszkodzone części.

12.2 Czyszczenie

Nie używać środków czyszczących ani rozpuszczalników. Substancje chemiczne mogą uszkodzić części urządzenia z tworzywa sztucznego. Nigdy nie czyścić urządzenia pod bieżącą wodą.

- Czyścić dokładnie urządzenie po każdym użyciu.
- Otwory wentylacyjne i powierzchnię urządzenia czyścić miękką szmatką, pędzelkiem lub ściereczką.
- Wióry, pył i zanieczyszczenia usunąć ew. przy użyciu odkurzacza.
- Regularnie smarować ruchome części.

12.3 Konserwacja

W urządzeniu nie ma elementów wymagających konserwacji.

12.4 Wymiana uchwytu wiertarskiego (rys. 1, 5, 10)

⚠ Ostrzeżenie! Wyjąć wtyczkę sieciową!

Wymagane narzędzie (nieobjęte zakresem dostawy):
1x klucz płaski 27 mm

- Wyjąć narzędzie robocze zgodnie z opisem w pkt 10.3.2.
- Mocno dociągnąć tuleję mocującą (D) przekręcając klucz uchwytu wiertarskiego (22) w kierunku zgodnym z ruchem wskazówek zegara.
- Przytrzymać uchwyt wiertarski (14) jedną ręką, przesuwać nakrętkę (F) w dół zgodnie z ruchem wskazówek zegara kluczem (27 mm).
- Gdy tylko uchwyt wiertarski (14) zostanie poluzowany z osadzenia korpusu wału, można go wyjąć.
- Nowy uchwyt wiertarski zamocować w odwrotnej kolejności.

Do wymiany uchwytu wiertarskiego używać tylko uchwytów wiertarskich dopuszczonych przez producenta.

Numer zamówienia: 390 6814 001

12.5 Informacje serwisowe

Należy pamiętać, że w przypadku tego produktu poniższe części podlegają naturalnemu zużyciu lub zużyciu uwarunkowanemu użytkowaniem, bądź są potrzebne jako materiały zużywalne.

Części zużywające się*: Szczotki węglowe, wiertło

* opcjonalnie w zakresie dostawy!

13. Przechowywanie

Urządzenie i jego wyposażenie przechowywać w miejscu suchym, suchym i zabezpieczonym przed mrozem oraz niedostępnym dla dzieci. Optymalna temperatura przechowywania wynosi od 5 °C do 30 °C.

Narzędzie elektryczne przechowywać w oryginalnym opakowaniu.

Przykryć narzędzie elektryczne, by chronić je przed pyłem lub wilgocią.

Zachować instrukcję obsługi urządzenia elektrycznego.

14. Przyłącze elektryczne

Zainstalowany silnik elektryczny jest gotowy do eksploatacji. Przyłącze odpowiada właściwym przepisom VDE (Związek Elektryków Niemieckich) oraz normom DIN. Przyłącze sieciowe udostępniane przez klienta oraz przedłużacz muszą być zgodne z powyższymi przepisami.

14.1 Ważne wskazówki

W przypadku przecięcia silnika wyłącza się on samoczynnie. Po czasie chłodzenia (zróżnicowany), silnik można ponownie uruchomić.

14.2 Uszkodzone przewody połączenia elektrycznego

Na przewodach elektrycznych powstają często uszkodzenia izolacji.

Przyczyną może być:

- Ściskanie, w przypadku gdy przewody są prowadzone przez okna lub szczeliny w drzwiach.
- Zagięcia, w przypadku nieprawidłowego zamocowania lub prowadzenia przewodów.
- Przecięcia, w przypadku najeżdżania na przewody.
- Uszkodzenia izolacji, w przypadku wrywania z gniazdka ściennego.
- Pęknięcia, spowodowane starzeniem się izolacji.

Uszkodzonych przewodów elektrycznych nie wolno używać - ze względu na uszkodzenie izolacji zagrażają życiu.

Przewody elektryczne należy regularnie kontrolować pod kątem uszkodzeń. Pamiętać, by podczas sprawdzania przewodu nie był on podłączony do sieci elektrycznej.

Przewody elektryczne muszą odpowiadać właściwym przepisom VDE (Związek Elektryków Niemieckich) oraz normom DIN. Stosować wyłącznie przewody przyłączeniowe z oznaczeniem „H05VV-F”.

Przestrzegać informacji znajdującej się na oznaczeniu typu umieszczonym na przewodzie.

Jeżeli wymagana jest wymiana przewodu przyłączeniowego, należy zlecić jego wymianę przez producenta lub jego przedstawiciela, aby uniknąć zagrożeń dla bezpieczeństwa.

14.3 Silnik prądu przemiennego

Napięcie sieciowe musi wynosić 220 - 240 V ~ 50Hz.

- Przedłużacze o długości 25 m muszą posiadać przekrój wynoszący 1,5 milimetra kwadratowego.

Podłączanie oraz naprawy wyposażenia elektrycznego mogą być przeprowadzane przez wykwalifikowanego elektryka.

W przypadku pytań proszę o podanie następujących danych:

- Rodzaj prądu silnika
- Dane z tabliczki identyfikacyjnej silnika

15. Utylizacja i ponowne wykorzystanie

Urządzenie znajduje się w opakowaniu chroniącym przed uszkodzeniami transportowymi. Opakowanie jest materiałem surowcowym, który nadaje się do ponownego wykorzystania i można wprowadzić go do obiegu surowców.

Urządzenie i jego wyposażenie są wykonane z różnych materiałów, np. metalu i tworzyw sztucznych. Uszkodzone elementy dostarczyć do punktu zbiorczego odpadów specjalnych. Zasięgnąć informacji w specjalistycznym punkcie sprzedaży lub w zarządzie gminy!



Opakowanie jest wykonane z materiałów przyjaznych dla środowiska, które można utylizować w miejscowych punktach zajmujących się recyklingiem.

Informacji o możliwościach utylizacji starych urządzeń można zasięgnąć w urzędzie miasta lub gminy.

Zużytego sprzętu nie wolno wyrzucać wraz z odpadami domowymi!



Symbol ten oznacza, że zgodnie z dyrektywą w sprawie zużytego sprzętu elektrycznego i elektronicznego (2012/19/UE) oraz przepisami krajowymi niniejszego produktu nie wolno utylizować wraz z odpadami domowymi. Produkt ten należy przekazać do przeznaczonego do tego celu punktu zbiórki. Można to zrobić np. poprzez zwrot przy zakupie podobnego produktu lub przekazanie do autoryzowanego punktu zbiórki zajmującego się recyklingiem zużytego sprzętu elektrycznego i elektronicznego. Nieprawidłowe obchodzenie się z użytym sprzętem może mieć negatywny wpływ na środowisko i zdrowie ludzkie ze względu na potencjalnie niebezpieczne materiały, które często znajdują się w użytym sprzęcie elektrycznym i elektronicznym. Poprzez prawidłową utylizację tego produktu przyczyniają się Państwo także do efektywnego wykorzystania zasobów naturalnych. Informacje dotyczące punktów zbiórki zużytego sprzętu można otrzymać w urzędzie miasta, od podmiotu publiczno-prawnego zajmującego się utylizacją, autoryzowanej jednostki odpowiedzialnej za utylizację zużytego sprzętu elektrycznego i elektronicznego lub w firmie obsługującej wywóz śmieci w Państwa miejscu zamieszkania.

16. Pomoc dotycząca usterek

Usterka	Możliwa przyczyna	Środek zaradczy
Urządzenie nie uruchamia się	Silnik kabel lub wtyczka uszkodzona, aktywuje się bezpiecznik	Sprawdzić gniazdko, przewód przyłączeniowy do sieci, przewód, wtyczkę sieciową, ew. zlecić naprawę przez wykwalifikowanego elektryka. Sprawdzić bezpiecznik
	Włacznik / wyłącznik (11/10) uszkodzony	Zlecić naprawę serwisowi klienta
	Uszkodzony silnik	Zlecić naprawę serwisowi klienta
Silne wibracje	Płyta podstawowa (1) niezamocowana	Zabezpieczyć maszynę na stole warsztatowym lub podobnym
	Narzędzie nie jest zaciśnięte na środku	Sprawdzić narzędzie w uchwycie wiertarskim (14)
Silnik lekko się przegrzewa	Przeciążenie silnika, niedostateczne chłodzenie silnika.	Zapobiegać przeciążeniu silnika podczas wiercenia, usunąć pył z silnika, aby zagwarantować optymalne chłodzenie silnika.
Silnik emituje zbyt duży hałas	Zwoje uszkodzone, silnik uszkodzony.	Zlecić kontrolę serwisowi klienta

17. Gwarancja

Droży Klienci,

Wszystkie nasze produkty przechodzą przez rygorystyczną kontrolę jakości, aby zapewnić, że dotrą do Państwa w idealnym stanie. W mało prawdopodobnej sytuacji wystąpienia usterki w Państwa urządzeniu, proszę skontaktować się z naszym działem serwisu pod adresem podanym w niniejszej karcie gwarancyjnej. Oczywiście, jeśli wolelibyście Państwo do nas zadzwonić, jesteśmy również gotowi zaoferować pomoc pod numerem telefonu serwisu wydrukowanym poniżej. Proszę zwrócić uwagę na następujące warunki gwarancyjne, jakich należy przestrzegać w celu zgłaszania roszczeń gwarancyjnych:

- Te warunki gwarancji dotyczą dodatkowych uprawnień gwarancyjnych i w żadnym stopniu nie ograniczają Państwa praw ustawowych. Niniejsza gwarancja jest oferowana bezpłatnie.
- Nasza gwarancja obejmuje jedynie problemy wynikające z wad materiałowych lub wad wykonania i ogranicza się do usunięcia tych wad lub wymiany urządzenia. Proszę zwrócić uwagę, że nasze urządzenia nie są przeznaczone do użytkowania w zastosowaniach komercyjnych, handlowych lub przemysłowych. W związku z powyższym, gwarancja traci ważność, jeśli urządzenie zostanie wykorzystane w zastosowaniach komercyjnych, handlowych lub przemysłowych lub w innych równoważnych zastosowaniach. Gwarancja nie obejmuje również następujących kwestii: odszkodowanie za uszkodzenia w transporcie, uszkodzenia spowodowane nieprzestrzeganiem instrukcji instalacji/montażu lub uszkodzenia spowodowane niefachową instalacją, nieprzestrzeganiem instrukcji obsługi (np. podłączenie do błędnego napięcia lub natężenia sieciowego), błędnym lub nieodpowiednim użytkowaniem (np. przeciążenie urządzenia lub użycie niezatwierdzonych narzędzi lub akcesoriów), nieprzestrzeganiem przepisów konserwacji lub bezpieczeństwa, przedostaniem się ciał obcych do urządzenia (np. piasek, kamienie lub pył), rezultaty użycia siły lub zewnętrznych czynników (np. uszkodzenie spowodowane upuszczeniem urządzenia) i normalne zużycie wynikające z poprawnego użytkowania urządzenia.

Każda próba ingerencji w urządzenie lub jego modyfikacji skutkuje unieważnieniem gwarancji.

- Gwarancja obowiązuje przez 3 lata od dnia zakupu urządzenia. Roszczenia gwarancyjne należy składać przed upływem okresu gwarancji w okresie dwóch tygodni od zauważenia wady. Roszczenia gwarancyjne składane po upływie okresu gwarancji nie będą przyjmowane. Wraz z wymianą urządzenia lub jego części składowych rozpoczyna się ponownie okres gwarancyjny zgodnie z art. 581§1 Kodeksu Cywilnego. Dotyczy to również korzystania z serwisu na miejscu.
- W celu zgłoszenia roszczenia gwarancyjnego należy skorzystać z podanego poniżej adresu serwisu. Jeżeli reklamacja zostanie złożona w okresie objętym gwarancją, udostępniemy Państwu formularz zwrotu, który umożliwi bezpłatne odesłanie uszkodzonego urządzenia. Bardzo pomoże nam jak najbardziej szczegółowe opisanie przez Państwa charakteru problemu. Jeśli wada jest objęta gwarancją, urządzenie zostanie albo niezwłocznie naprawione i przekazane Państwu albo prześlemy Państwu nowe urządzenie.

Oczywiście z przyjemnością oferujemy także usługę odpłatnej naprawy wad, które nie są objęte zakresem niniejszej gwarancji, a także usługi pogwarancyjnej naprawy urządzeń. Aby skorzystać z takich usług, proszę przesłać urządzenie na adres naszego serwisu.

Infolinia serwisu (PL):

+800 4003 4003
(0,00 €/Min.)

Adres e-mail (PL):

service.PL@schepbach.com

Adres serwisu (PL):

Arconet Sp. z o.o
ul.Grobelnego 4
PL - 05-300 Minsk Mazowiecki




Na stronie www.lidl-service.com można pobrać ten oraz wiele innych podręczników, filmów produktowych oraz programów instalacyjnych.

Za pomocą kodu QR przechodzi się bezpośrednio do strony serwisu Lidl (www.lidl-service.com), a po wpisaniu numeru artykułu (IAN) 361816_2010 można pobrać instrukcję obsługi.

1.	Vysvetlenie symbolov na prístroji	66
2.	Úvod	67
3.	Popis prístroja (obr. 1-11)	67
4.	Rozsah dodávky	67
5.	Použitie v súlade s určením	67
6.	Bezpečnostné upozornenia	68
7.	Technické údaje	70
8.	Pred uvedením do prevádzky	70
9.	Montáž	70
10.	Obsluha	71
11.	Preprava	72
12.	Čistenie a údržba	72
13.	Skladovanie	72
14.	Elektrická prípojka	72
15.	Likvidácia a opätovné zhodnotenie	73
16.	Odstraňovanie porúch	74
17.	Záručný list	75
18.	Vyhlásenie o zhode	99

1. Vysvetlenie symbolov na prístroji

	SK	Varovanie! Pri nedodržaní je možné nebezpečenstvo ohrozenia života, nebezpečenstvo poranenia alebo poškodenie nástroja!	
	SK	Pred uvedením do prevádzky si prečítajte návod na obsluhu a bezpečnostné upozornenia a dodržiavajte ich!	
	SK	Noste ochranné okuliare!	
	SK	Noste ochranu sluchu!	
	SK	Pri tvorbe prachu noste ochranu dýchania!	
	SK	Nenoste rozpustené dlhé vlasy. Použite sieťku na vlasy.	
	SK	Nenoste rukavice.	
	SK	Trieda ochrany II (dvojitá izolácia)	
 <p>Achtung! - Laserstrahlung Nicht in den Strahl blicken! Laser Klasse 2 Laserspezifikation nach EN 60825-1:2014 λ = 650 nm P_e < 1 mW</p>	SK	Pozor! Laserové žiarenie	obr. 8, 9

2. Úvod

VÝROBCA:

scheppach

Fabrikation von Holzbearbeitungsmaschinen GmbH
Günzburger Straße 69
D-89335 Ichenhausen

VÁŽENÝ ZÁKAZNÍK,

Želáme Vám veľa zábavy a úspechov pri práci s Vaším novým prístrojom.

UPOZORNENIE:

Výrobca tohto prístroja neručí podľa platného zákona o ručení za výrobok za škody, ktoré vzniknú na tomto prístroji alebo budú spôsobené týmto prístrojom pri:

- neodbornej manipulácii,
- nedodržovaní návodu na obsluhu,
- opravách tretími osobami, neautorizovanými odborníkmi,
- montáži a výmene neoriginálnych náhradných dielov,
- použití v rozpore s určením,
- Výpadky elektrického zariadenia pri nedodržovaní elektrických predpisov a ustanovení VDE 0100, DIN 57113/ VDE0113.

Dodržiavajte:

Pred montážou a uvedením do prevádzky si prečítajte celý text návodu na obsluhu.

Návod na obsluhu vám má uľahčiť, aby ste sa oboznámili s prístrojom a používali ho v súlade s jeho určenými možnosťami použitia.

Návod na obsluhu obsahuje dôležité pokyny, ako s prístrojom bezpečne, odborne a hospodárne pracovať a ako zabrániť nebezpečenstvám, ušetríte náklady na opravy, znížite časy prestojov a zvýšite spoľahlivosť a životnosť príslušenstva.

Okrem bezpečnostných ustanovení tohto návodu na obsluhu musíte bezpodmienečne dodržiavať predpisy svojej krajiny platné pre prevádzku prístroja.

Návod na obsluhu uschovajte pri prístroji a v plastovom obale, aby bol chránený pred špinou a vlhkosťou. Všetci obsluhujúci pracovníci si ho musia pred začiatkom práce prečítať a starostlivo ho dodržiavať.

Na prístroji môžu pracovať len osoby, ktoré boli poučené o používaní prístroja a boli informované o nebezpečenstvách, ktoré sú s tým spojené. Treba dodržiavať požadovaný minimálny vek.

Okrem bezpečnostných upozornení obsiahnutých v tomto návode na obsluhu a osobitných predpisov vašej krajiny treba rešpektovať všeobecne uznávané technické pravidlá pre prevádzku konštrukčne rovnakých strojov.

Nepreberáme zodpovednosť za žiadne nehody ani škody, ku ktorým dôjde v dôsledku nedodržania tohto návodu a bezpečnostných upozornení.

3. Popis prístroja (obr. 1-11)

1. Základná doska
2. Rýchlopínač
3. Sílp
4. Ozubená tyč prestavenia výšky
5. Zvieracia páka prestavenia výšky
6. Zvieracia páka hĺbkového dorazu
7. Hĺbkový doraz
8. Rukoväť
9. Ukazovateľ hĺbkového dorazu
10. Vypínač
11. Zapínač
12. Regulátor otáčok
13. Dištančný držiak
14. Skľučovadlo vrtáka
15. Krídlové skrutky paralelného dorazu
16. Paralelný doraz
17. Rýchlopínacia skrutka
18. Zapínač/vypínač lasera
19. Skrutka s krížovou drážkou (ukazovateľ)
20. Stupnica
21. Inbusový kľúč, 4 mm
22. Kľúč na skľučovadlo vrtáka
23. Značka

4. Rozsah dodávky

- 1 vrtáčka
- 1 rýchlopínač (2)
- 1 základná doska (1)
- 1 paralelný doraz (16)
- 1 dištančný držiak (13)
- 1 rukoväť (8)
- 1 Hĺbkový doraz (7)
- 1 zvieracia páka (6)
- 1 inbusový kľúč, 4 mm (21)
- 1 Kľúč na skľučovadlo vrtáka (22)
- 1 Návod na obsluhu
- 1 montážny materiál

5. Použitie v súlade s určením

Stolová vrtáčka je určená na vrtanie do kovu, dreva, plastu a dlaždíc.

Rozsah upínania skľučovadla vrtáka: 1,5 - 13 mm.

Prístroj je určený na domáce použitie. Nebol navrhnutý na profesionálne nepretržité použitie. Prístroj nie je určený na používanie osobami vo veku do 16 rokov. Mladiství vo veku nad 16 rokov smú prístroj používať iba pod dozorom. Výrobca neručí za škody, ktoré boli spôsobené použitím v rozpore s určením alebo nesprávnou obsluhou.

Dbajte, prosím, na to, že naše prístroje neboli v súlade s určením skonštruované na komerčné, remeselné ani priemyselné použitie. Ak sa prístroj používa v komerčných, remeselných alebo priemyselných podnikoch, ako aj na podobné činnosti, nepreberáme žiadnu záruku.

6. Bezpečnostné upozornenia

Všeobecné bezpečnostné upozornenia pre elektrické náradia

⚠ VÝSTRAHA! Prečítajte si všetky bezpečnostné upozornenia, pokyny, ilustrácie a technické údaje, ktorými je opatrené toto elektrické náradie. Zanedbania pri dodržiavaní nasledujúcich pokynov môžu spôsobiť zásah elektrickým prúdom, požiar a/alebo ťažké poranenia.

Všetky bezpečnostné upozornenia a pokyny uschovajte pre prípad neskoršieho použitia.

Pojem „elektrické náradie“ použitý v bezpečnostných upozorneniach sa vzťahuje na elektrické náradie napájané zo siete (so sieťovým káblom) alebo na elektrické náradie napájané z akumulátora (bez sieťového vedenia).

Bezpečnosť pracoviska

- Pracovný priestor udržiavajte čistý a dobre osvetlený.**
Neporiadok a neosvetlené pracovné priestory môžu viesť k úrazom.
- S elektrickým náradím nepracujte v prostredí ohrozenom výbuchom, v ktorom sa nachádzajú horľavé kvapaliny, plyny alebo prach.**
Elektrické prístroje vytvárajú iskry, ktoré môžu zapáliť prach alebo výpary.
- Deti a iné osoby držte v dostatočnej vzdialenosti od elektrického prístroja počas jeho používania.**
Pri nepozornosti môžete stratiť kontrolu nad elektrickým náradím.

Elektrická bezpečnosť

- Pripojovacia zástrčka elektrického prístroja musí pasovať do zásuvky.**
Zástrčka sa nesmie nijako upravovať. Nepoužívajte adaptérové zástrčky spolu s uzemnenými elektrickými prístrojmi. Neupravené zástrčky a vhodné zásuvky znižujú riziko zásahu elektrickým prúdom.
- Vyhýbajte sa telesnému kontaktu s uzemnenými plochami, ako napríklad rúry, vykurovacie zariadenia, sporáky a chladničky. Keď je vaše telo uzemnené, hrozí zvýšené riziko zásahu elektrickým prúdom.**
- Chráňte elektrické prístroje pred dažďom alebo vlhkosťou.**
Vniknutie vody do elektrického náradia zvyšuje riziko zásahu elektrickým prúdom.
- Nepoužívajte pripájacie vedenie na nosenie či zavesenie elektrického náradia, ani na vytiahnutie zástrčky zo zásuvky.**
Kábel chráňte pred vysokými teplotami, olejom, ostrými hranami alebo pohybujúcimi sa časťami prístroja. Poškodené alebo zamotané pripájacie vedenia zvyšujú riziko zásahu elektrickým prúdom.

- Ak s elektrickým prístrojom pracujete vonku, používajte iba predlžovacie káble, ktoré sú vhodné aj pre exteriér.**

Použitie predlžovacieho kábla vhodného pre vonkajšie priestory znižuje riziko zásahu elektrickým prúdom.

- Ak je nevyhnutná prevádzka elektrického prístroja vo vlhkom prostredí, použite ochranný vypínač proti chybnému prúdu.**

Používanie ochranného vypínača proti chybnému prúdu znižuje riziko zásahu elektrickým prúdom.

Bezpečnosť osôb

- Buďte pozorní, dávajte pozor na to, čo robíte, a s elektrickým náradím pracujte rozumne. Elektrické náradie nepoužívajte, ak ste unavení alebo ste pod vplyvom drog, alkoholu či liekov.** Jediná chvíľka nepozornosti pri používaní elektrického prístroja môže viesť k závažným poraneniam.
- Noste osobné ochranné vybavenie a vždy používajte ochranné okuliare.**
Nosenie osobného ochranného výstroja, ako je protiprachová maska, protišmyková bezpečnostná obuv, ochranná prilba či ochrana sluchu, znižuje v závislosti od typu elektrického prístroja a jeho použitia riziko poranení.
- Zabráňte neúmyselnému uvedeniu do prevádzky. Pred zdvihnutím alebo nosením sa uistite, že je elektrické náradie vypnuté, predtým ako ho pripojíte k napájaniu prúdom a/alebo ku akumulátoru.** Ak máte pri prenášaní elektrického náradia prst na vypínači, alebo ak zapnutý elektrický prístroj pripojíte k napájaniu prúdom, môže dôjsť k úrazom.
- Pred zapnutím elektrického náradia odstráňte nastavovacie nástroje alebo skrutkovače.**
Nástroj alebo kľúč, ktorý sa nachádza v otáčajúcej sa časti elektrického náradia, môže viesť k poraneniam.
- Vyhýbajte sa abnormálnemu držaniu tela. Zaistite si bezpečný postoj a vždy udržiavajte rovnováhu.** Vďaka tomu budete môcť elektrické náradie lepšie kontrolovať pri neočakávaných situáciách.
- Noste vhodný odev. Nenoste voľný odev ani šperky. Vlasy, odev a rukavice držte mimo dosahu pohybujúcich sa dielov.** Voľný odev, šperky či dlhé vlasy môžu zachytiť pohybujúce sa časti.
- Ak sa dajú namontovať zariadenia na odsávanie a zachytávanie prachu, uistite sa, že sú pripojené a správne sa používajú.**
Použitie zariadenia na odsávanie prachu znižuje riziká spôsobené prachom.
- Nenechajte sa ukolišať falošnou bezpečnosťou a dbajte na bezpečnostné pravidlá pre elektrické náradie, aj keď ste vďaka mnohonásobnému použitiu oboznámení s elektrickým náradím.** Ľahko-vážne konanie môže v okamihu viesť k ťažkým poraneniam.

Používanie a ošetrovanie elektrického prístroja

- Nepreťažujte elektrické náradie.**
Pri práci používajte elektrické náradie určené na daný účel. Je lepšie a bezpečnejšie pracovať s vhodným elektrickým náradím v udávanom rozsahu výkonu.

b) **Nepoužívajte elektrické náradie s chybným spínačom. Elektrické náradie, ktoré sa nedá zapnúť alebo vypnúť, je nebezpečné a musí sa opraviť.**

c) **Skôr ako vykonáte nastavenia prístroja, vymeníte časti vloženého nástroja alebo elektrické náradia odložíte, vytiahnite zástrčku zo zásuvky a/alebo odoberte odnímateľný akumulátor.**

Toto bezpečnostné opatrenie zabráni neúmyselnému spusteniu elektrického prístroja.

d) **Nepoužívané elektrické náradie uchovávajte mimo dosahu detí.**

Elektrické náradie nedovoľte používať osobám, ktoré s ním nie sú oboznámené alebo si neprečítali tieto inštrukcie. Elektrické náradie je nebezpečné, ak ho používajú neskúsené osoby.

e) **O svoje elektrické náradie a vložený nástroj sa dôkladne starajte.**

Skontrolujte, či pohyblivé časti bezchybne fungujú a nie sú zablokované a či sú zlomené alebo natoľko poškodené diely, že by sa mohla negatívne ovplyvniť funkcia elektrického prístroja. Pred použitím elektrického náradia dajte poškodené diely opraviť. Príčinou mnohých úrazov je nesprávna údržba elektrických prístrojov.

f) **Rezné nástroje udržiavajte ostré a čisté. Starostlivo udržiavané rezné nástroje s ostrými reznými hranami sa menej zasekávajú a ľahšie sa vedú.**

g) **Používajte elektrické náradie, príslušenstvo, vložené nástroje atď. podľa týchto pokynov.**

Zohľadnite pritom pracovné podmienky a vykonávanú činnosť. Používanie elektrického náradia na iné ako predpísané používania môže viesť k nebezpečným situáciám.

h) **Rukoväť a plochy rukoväti udržiavajte vždy suché, čisté a bez oleja a tuku.** Klzké rukoväti a plochy rukoväti neumožňujú bezpečnú obsluhu a kontrolu elektrického náradia v nepredvídateľných situáciách.

Servis

a) **Vaše elektrické náradie nechajte opravovať len kvalifikovaným odborným personálom a len s originálnymi náhradnými dielmi.** Tým sa zabezpečí zachovanie bezpečnosti elektrického prístroja.

Bezpečnostné upozornenia pre vrtáčky

a) **Vrtáčka sa musí zaistiť.** Nesprávne upevnená vrtáčka sa môže pohybovať alebo prevrátiť a to môže viesť k poraneniam.

b) **Obrobok sa musí upnúť alebo upevniť na podložku pod obrobok. Nevrtajte do obrobkov, ktoré sú príliš malé na bezpečné upnutie.** Držanie obrobku rukou môže viesť k poraneniam.

c) **Nenoste rukavice.** Rukavice môžu zachytiť otáčajúce sa diely alebo triesky z vrtania a môžu tak viesť k poraneniam.

d) **Počas prevádzky elektrického náradia nedávajte ruky do oblasti vrtania.** Kontakt s otáčajúcimi sa dielmi alebo trieskami z vrtania môže viesť k poraneniam.

e) **Vrtací nástroj sa pred kontaktom s obrobkom musí otáčať.** Vrtací nástroj sa inak môže zaseknúť v obrobku a môže tak spôsobiť neočakávaný pohyb obrobku a poranenia.

f) **Ak by bol vrtací nástroj zablokovaný, netlačte ďalej nadol a vypnite elektrické náradie. Vyhľadajte a odstráňte príčinu blokovania.** Blokovanie môže viesť k neočakávanému pohybu obrobku a k poraneniam.

g) **Zabráňte vzniku dlhých triesok z vrtania tým, že budete pravidelne prerušovať tlak nadol.** Ostré kovové triesky sa môžu zachytiť a viesť k poraneniam.

h) **Počas prevádzky elektrického náradia z oblasti vrtania nikdy neodstraňujte triesky z vrtania. Na odstránenie triesok presuňte vrtací nástroj od obrobku, elektrické náradie potom vypnite a počkajte na zastavenie vrtacieho nástroja. Na odstránenie triesok používajte pomôcky, ako je kefa alebo hák.** Kontakt s otáčajúcimi sa dielmi alebo trieskami z vrtania môže viesť k poraneniam.

i) **Povolené otáčky vložených nástrojov s menovitými otáčkami musia byť minimálne tak vysoké ako najvyššie otáčky uvedené na elektrickom náradí.** Príslušenstvo, ktoré sa otáča rýchlejšie, ako je povolené, sa môže zlomiť a odletieť.



**Pozor: Laserové žiarenie
Nepozerajte do lúča
Trieda lasera 2**



Chráňte seba a životné prostredie pred nebezpečenstvom nehody vhodnými bezpečnostnými opatreniami!

- Nikdy nepozerajte do laserového lúča s nechránenými očami.
- Nikdy nepozerajte do dráhy lúča.
- Nikdy nesmerujte laserový lúč na odrazové plochy, ľudí ani zvieratá. Aj laserový lúč s nízkym výkonom môže spôsobiť poškodenie oka.
- Pozor – pri vykonaní iného postupu, ako je na tomto mieste uvedený, môže dôjsť k nebezpečnej expozícii žiarenia.
- Nikdy neotvárajte modul lasera. Nečakane by mohlo dôjsť k expozícii žiarenia.
- Laser sa nesmie vymeniť za laser iného typu.
- Opravy na laseri smie vykonať iba výrobca lasera alebo autorizovaný zástupca.
- Pre označenie a miesto pripevnenia výstražných nálepiek pozri obr. 8 a 9.

⚠ VÝSTRAHA! Tento elektrický prístroj vytvára počas prevádzky elektromagnetické pole. Toto pole môže za určitých okolností ovplyvniť aktívne alebo pasívne implantáty. Na zníženie nebezpečenstva závažných alebo smrteľných poranení odporúčame osobám s implantátmi prekonzultovať situáciu so svojím lekárom a výrobcom implantátu ešte predtým, ako začnú obsluhovať elektrický prístroj.

Zvyškové riziká

Aj keď tento elektrický nástroj používate podľa predpisov, vždy existujú zostatkové riziká. V súvislosti s konštrukciou a vyhotovením tohto elektrického prístroja sa môžu vyskytnúť nasledujúce nebezpečenstvá:

- Poškodenia pľúc, ak sa nepoužíva žiadna vhodná ochranná maska proti prachu.
- Poškodenia sluchu, ak sa nepoužíva vhodná ochrana sluchu.
- Poškodenia zdravia v dôsledku vibrácií ruky a ramena, ak sa zariadenie používa dlhší čas alebo ak sa neodborne vykonáva jeho obsluha a údržba.

7. Technické údaje

Motor na striedavý prúd.....	220 - 240 V~ 50 Hz
Menovitý výkon S1	710 Watt
Prevádzkový režim	S2 5min* 900W
Voľnobežné otáčky n_0	500 - 2600 min ⁻¹
Rozsah upínania skľučovadla vrtáka	1,5 - 13 mm.
Vrtací zdvih max.....	70 mm
Rozmery základnej dosky	320 x 305 mm
Vzdialenosť skľučovadla vrtáka od podkladovej dosky	280 mm
Hmotnosť cca	8,3 kg
Trieda ochrany	II/ <input type="checkbox"/>
Laserová trieda	2
Vlnová dĺžka lasera.....	650 nm
Výkon lasera.....	< 1 mW

* Po nepretržitej dobe prevádzky 5 minút nasleduje prestávka, dokým sa teplota prístroja neodlihuje o menej ako 2 K (2° C) od izbovej teploty.

Obrobok musí byť vysoký minimálne 3 mm a široký 45 mm.

Prihliadajte na to, aby bol obrobok vždy zaistený upínacím zariadením.

Prečnievajúce obrobky sa prípadne musia zboku podoprieť prídavnými podperami.

Hluk

Hodnoty hluku boli merané podľa EN 62841.

Hladina akustického tlaku L_{pA}	89,6 dB(A)
Neistota K_{pA}	3 dB
Hladina akustického výkonu L_{WA}	102,6 dB(A)
Neistota K_{WA}	3 dB

Noste ochranu sluchu.

Vplyv hluku môže spôsobiť stratu sluchu.

Uvedené hodnoty emisií hluku boli merané podľa normovanej skúšobnej metódy a môže sa použiť na porovnanie elektrického prístroja s iným zariadením.

Uvedené hodnoty emisií hluku sa môžu použiť aj na predbežný odhad zaťaženia.

Varovanie:

- Emisie hluku sa môžu počas skutočného používania elektrického prístroja odlišovať od uvedených hodnôt v závislosti od druhu a spôsobu použitia elektrického náradia, predovšetkým, aký druh obrobku sa obrába.
- Zafaženie sa snažte udržať podľa možností čo najnižšie. Vzorové opatrenie: obmedzenie pracovnej doby. Prítom sa musia zohľadniť všetky časti prevádzkového cyklu (napríklad časy, keď je elektrické náradie vypnuté, a časy, počas ktorých je sieť zapnuté, no beží bez zafaženia).

8. Pred uvedením do prevádzky

- Otvorte obal a opatrne vyberte prístroj.
- Odstráňte baliaci materiál, ako aj obalové a prepravné poistky (ak sú použité).
- Skontrolujte, či je rozsah dodávky kompletný.
- Prístroj a diely príslušenstva skontrolujte ohľadom poškodení spôsobených prepravou.
- Obal podľa možnosti uschovajte až do uplynutia záručnej doby.

POZOR

Prístroj a obalové materiály nie sú hračkami pre deti! Deti sa nesmú hrať s plastovými vreckami, fóliami a malými dielmi! Existuje nebezpečenstvo prehltnutia a zadusenía!

Pred pripojením sa presvedčte, či sa údaje na typovom štítku zhodujú s parametrami elektrickej siete.

- Prístroj skontrolujte ohľadom poškodení spôsobených prepravou. Okamžite oznámte akékoľvek škody dopravnej spoločnosti, ktorá dodala elektrický prístroj.
- Nepoužívajte dlhé privody (predlžovacie káble).
- Elektrický prístroj nepoužívajte vo vlhkom ani mokrom prostredí.
- Elektrický prístroj sa smie používať len vo vhodných priestoroch (dobře vetrané).

9. Montáž

⚠ Pozor!

Prístroj pred uvedením do prevádzky bezpodmienečne kompletne zmontujte!

⚠ Pred pripojením prístroja do siete sa presvedčte, či sa údaje na typovom štítku zhodujú so sieťovými údajmi prípojky.

⚠ Varovanie! Pred vykonaním nastavení na prístroji vždy najprv vytiahnite sieťovú zástrčku.

9.1 Montáž základnej dosky a stĺpa (obr. 2)

1. Rýchlopínač (2) nasuňte cez stĺp (3).
2. Stĺp (3) vložte do základnej dosky (1) tak, aby sa vodiaci čap na dolnom konci stĺpa (3) zaistil do drážky uchytenia základnej dosky (1).
3. Utiahnite predmontované upevňovacie skrutky (A) na zadnej strane základnej dosky (1) pomocou kľúča na skrutky s vnútorným šesťhranom (21).

9.2 Montáž paralelného dorazu (obr. 4)

1. Paralelný doraz (16) posuňte do drážok základnej dosky (1).

2. Dbajte na to, aby vodiace vložky pod krídlými skrutkami pre paralelný doraz (15) lícovali v drážkach.
3. Paralelný doraz (16) presuňte do požadovanej polohy a utiahnite krídlové skrutky paralelného dorazu (15).

9.3 Montáž rukoväte (obr. 2)

1. Odstráňte predmontovanú upevňovaciu skrutku (B).
2. Dbajte na správne osadenie dištančného držiaka (13).
3. Nasuňte rukoväť (8) na uchytenie (G), ako je zobrazené na obr. 2.
4. Vložte maticu (C) do vybrania v rukoväti (8) a utiahnite upevňovaciu skrutku (B).

9.4 Montáž hĺbkového dorazu (obr. 2)

1. Nasadíte hĺbkový doraz (7) zhora do vybrania na telese.
2. Namontujte hĺbkový doraz zvieracej páky (6), ako je zobrazené na obrázku 2.

9.5 Montáž na pracovnú plochu (obr. 4)

Prístroj upevnite na pracovnej ploche tým, že základnú dosku (1) priskrutkujete na pracovnej ploche.

10. Obsluha

10.1 Prestavenie výšky (obr. 2, 3)

Polohu hlavy stroja je možné nastaviť v závislosti od výšky obrobku, príp. dĺžky obrobku.

1. Pevne držte rukoväť (8).
2. Otvorte zvieraciu páku prestavenia výšky (5).
3. Prostredníctvom rukoväte (8) určite polohu hlavy stroja.
4. Polohu hlavy stroja zaistíte pomocou zvieracej páky prestavenia výšky (5).

Pozor! V najspodnejšej polohe hlavy stroja treba dbať na to, aby sa hlava stroja nepresunula za značku (23).

Zaistíte hlavu stroja v tejto polohe pomocou výškového prestavenia zvieracej páky (5). Inak by mohlo dôjsť k poškodeniu vedenia.

10.2 Nastavenie hĺbky vrtania (obr. 1, 11)

Pomocou hĺbkového dorazu (7) je možné určiť hĺbku vrtania.

1. Uvoľníte zvieraciu páku na hĺbkovom doraze (6).
2. Vykonajte skúšobné vrtanie. Len čo sa dosiahne požadovaná hĺbka, opäť utiahnite upínaciu páku hĺbkového dorazu (6).
3. Hĺbkový doraz (7) je teraz aretovaný v požadovanej hĺbke vrtania.
4. Následne skontrolujte polohu hĺbkového dorazu. Ak sa zobrazený rozmer nezhoduje so skutočnou hĺbkou vrtania, ukazovateľ (9) sa môže dodatočne nastaviť.
 - Uvoľníte skrutku s krížovou drážkou (19) ukazovateľa (9).
 - Nastavte ukazovateľ (9) do správnej polohy ku stupnici (20).
 - Znova utiahnite skrutku s krížovou drážkou (19).

10.3 Upnutie/uvolnenie nástroja (obr. 5, 6)

Opatrne! Nenechávajú klúč na skľučovadlo vrtáka zasunutý. Nebezpečenstvo poranenia spôsobené odhodením klúča na skľučovadlo vrtáka.

10.3.1 Upnutie

1. Skľučovadlo vrtáka (22) opäť nasadíte.
2. Klúč na skľučovadlo vrtáka (22) otáčajte proti smeru hodinových ručičiek, aby ste otvorili upínacie puzdro (D).
3. Nasadíte nasadzovací nástroj (E).
4. Pevne držte nasadzovací nástroj (E).
5. Klúč na skľučovadlo vrtáka (22) otáčajte v smere hodinových ručičiek, aby ste zatvorili upínacie puzdro (D) a zaistili nasadzovací nástroj.
6. Skontrolujte pevné uloženie (E) nasadzovacieho nástroja.
7. Klúč na skľučovadlo vrtáka (22) znovu utiahnite.

10.3.2 Uvoľnenie

1. Skľučovadlo vrtáka (22) opäť nasadíte.
2. Klúč na skľučovadlo vrtáka (22) otáčajte v protismere hodinových ručičiek, dokým nebude možné vybrať nasadzovací nástroj (E).
3. Klúč na skľučovadlo vrtáka (22) znovu utiahnite.

10.4 Vyrovnanie obrobku (obr. 1)

1. Prostredníctvom zapínača/vypínača (18) zapnite krížový laser.
2. Priešnik dvoch čiar lasera vám zobrazuje presný stred vrtáka.
3. Vašu značku na obrobku vyrovnajte na laserový kríž.

10.5 Upnutie obrobku (obr. 7)

Obrábaný obrobok sa musí dať bezpečne upnúť. Neobrábajte obrobky, ktoré sa nedajú upnúť.

Vybranie rýchlopínača musí byť centricky vyrovnané s otvorom. V opačnom prípade môže rýchlopínač zablokovat vrták alebo skľučovadlo pre vrták.

1. Obrobok polohujte pomocou krížového lasera.
2. Uvoľníte rýchlopínaciu skrutku (17).
3. Rýchlopínač (2) nechajte dosadnúť na obrobok.
4. Otáčajte rýchlopínaciu skrutku (17) v smere hodinových ručičiek, aby ste upli obrobok.
5. Na uvoľnenie rýchlopínača (2) otáčajte rýchlopínaciu skrutku (17) proti smeru hodinových ručičiek.

10.6 Upnutie väčších obrobkov (obr. 7)

Pre väčšie obrobky použite paralelný doraz (16):

1. Uvoľníte krídlové skrutky paralelného dorazu (15) a paralelný doraz (16) vložte do drážok základnej dosky.
2. Uťahnite krídlové skrutky paralelného dorazu (15).
3. Obrobok vyrovnajte na paralelnom doraze (16) a upnite ho rýchlopínačom (2).

Varovanie! Pri obrobkoch, ktoré sú širšie alebo dlhšie ako horná strana stola, sa postarajte o primerané podopretie, napr. pomocou podstavcov alebo kôz.

Obrobky, ktoré sú dlhšie alebo širšie ako základná doska stolovej vrtáčky, sa môžu preklopiť, ak nie sú pevne podopreté. Ak sa obrobok preklopí, môže poškodiť ochranu skľučovadla vrtáka alebo rezný nástroj.

10.7 Nastavenie otáčok (obr. 1)

Správne otáčky sa musia nastaviť v závislosti od obrábaného obrobku a podľa priemeru nástroja.

10.7.1 Elektronická regulácia otáčok

Pomocou elektronickej regulácie otáčok môžete plynule riadiť otáčky:

Pomocou regulátora otáčok (12) nastavte otáčky.

Aktuálne otáčky je možné vyčítať podľa značenia na regulátore otáčok (12).



10.8 Zapnutie/vypnutie (obr. 1)

Zapnutie: Na zapnutie prístroja stlačte zapínač (11).

Vypnutie: Na vypnutie prístroja stlačte vypínač (10).

10.9 Proces vrtania (obr. 1, 7)

1. Obrobok vyrovnajte a upnite.
2. Spustíte prístroj a nastavte otáčky.
3. Za účelom vrtania otáčajte rukoväť (8) rovnomerným posuvom, dokým sa nedosiahne požadovaná hĺbka vrtania. Pri vrtaní kovov nakrátko prerušite posuv, aby ste zlomili triesku.
4. Po dosiahnutí hĺbky vrtania vedte rukoväť (8) späť do východiskovej polohy.
5. Vypnite prístroj.

11. Preprava

⚠ Varovanie! Pred prepravou vyťahnite sieťovú zástrčku!

- Elektrické náradie za účelom prepravy držte za základnú dosku (1).

12. Čistenie a údržba

⚠ Varovanie! Pred každým nastavením, údržbou alebo opravou vyťahnite sieťovú zástrčku!

12.1 Všeobecné údržbové opatrenia

⚠ Práce, ktoré nie sú opísané v tomto návode na obsluhu, nechajte vykonať odbornou dielňou. Používajte iba originálne diely. Prístroj nechajte pred všetkými údržbovými a čistiacimi prácami vychladnúť.

⚠ Hrozí nebezpečenstvo popálenia!

Prístroj pred každým použitím skontrolujte ohľadom očividných nedostatkov, ako sú voľné, opotrebované alebo poškodené diely, správne uloženie skrutiek alebo ostatných dielov. Vymeňte poškodené diely.

12.2 Čistenie

Nepoužívajte čistiace prostriedky, príp. rozpúšťadlá. Chemické látky môžu poškodzovať plastové diely prístroja. Prístroj nečistite pod tečúcou vodou.

- Prístroj po každom použití dôkladne vyčistite.

- Vetracie otvory a povrch prístroja čistite mäkkou kefou, štetcom alebo handrou.
- Triesky, prach a nečistoty príp. odstráňte vysávačom.
- Pravidelne mažte pohyblivé diely.

12.3 Údržba

V prístroji sa nenachádzajú žiadne diely, na ktorých je potrebné vykonávať údržbu.

12.4 Výmena skľučovadla vrtáka (obr. 1, 5, 10)

⚠ Varovanie! Vyťahnite sieťovú zástrčku!

Potrebné nástroje (neobsiahnuté v rozsahu dodávky):
1x vidlicový kľúč 27 mm

- Odnímate nasadzovací nástroj tak, ako je opísané v bode 10.3.2.
- Pevne utiahnite upínacie puzdro (D) otočením kľúča na skľučovadlo vrtáka (22) v smere hodinových ručičiek.
- Skľučovadlo vrtáka (14) jednou rukou pevne držte, kým posúvate maticu (F) pomocou vidlicového kľúča (27 mm) v smere hodinových ručičiek smerom nadol.
- Len čo je skľučovadlo vrtáka (14) uvoľnené z uloženia hriadeľa, môže sa odobrať.
- Nové skľučovadlo vrtáka upevnite v opačnom poradí.

Na výmenu skľučovadla vrtáka sa smú používať iba výrobcom schválené skľučovadlá vrtáka.

Objednávacie číslo: 390 6814 001

12.5 Servisné informácie

Je potrebné dbať na to, že pri tomto produkte podliehajú nasledujúce diely použitiu primeranému alebo prirodzenému opotrebovaniu, resp. nasledujúce diely sú potrebné ako spotrebné materiály.

Diely podliehajúce opotrebovaniu*: Uhlíkové kefy, vrták

* nie je nutné obsiahnuť v rozsahu dodávky!

13. Skladovanie

Prístroj a jeho príslušenstvo skladujte na tmavom, suchom a nezamrzajúcom mieste neprístupnom pre deti. Optimálna skladovacia teplota sa nachádza medzi 5 a 30 °C.

Elektrický prístroj skladujte v originálnom obale.

Elektrický prístroj zakryte, aby ste ho chránili pred prachom alebo vlhkosťou.

Návod na obsluhu skladujte pri elektrickom prístroji.

14. Elektrická prípojka

Nainštalovaný elektromotor je pripojený a pripravený na prevádzku. Pripojenie zodpovedá príslušným ustanoveniam VDE a DIN. Sieťová prípojka na strane zákazníka, ako aj predĺžovacie vedenie musia zodpovedať týmto predpisom.

14.1 Dôležité upozornenia

Pri preťažení motora sa tento samočinne vypne. Po vychladení (časovo odlišné) je možné motor znovu zapnúť.

14.2 Poškodené elektrické pripojné vedenie

Na elektrických pripojných vedeniach často vznikajú škody na izolácii.

Príčinami môžu byť:

- Stlačené miesta, keď sa prípojné vedenia vedú cez okno alebo medzeru medzi dverami.
- Zalomené miesta v dôsledku neodborného upevnenia alebo vedenia prípojného vedenia.
- Rozrezané miesta vzniknuté pri prejazde cez prípojné vedenie.
- Škody na izolácii pri vytrhnutí zo zásuvky v stene.
- Trhliny pri zostarnutí izolácie.

Takéto poškodené elektrické prípojné vedenia sa nesmú používať a z dôvodu poškodenia izolácie sú životnebezpečné.

Elektrické prípojné vedenia pravidelne kontrolujte ohľadom poškodení. Dávajte pozor na to, aby pri kontrole prípojného vedenia nebolo vedenie pripojené k elektrickej sieti.

Elektrické prípojné vedenia musia zodpovedať príslušným ustanoveniam VDE a DIN. Používajte iba prípojné vedenia s označením „H05VV-F“.

Vytlačenie označenia typu na prípojnom kábli je predpis.

Ak je potrebná výmena prípojného vedenia, tak ju musí vykonať výrobca alebo jeho zástupca, aby sa zabránilo bezpečnostným ohrozeniam.

14.3 Motor na striedavý prúd

Sieťové napätie musí predstavovať 220 - 240 V~50 Hz.

- Predlžovacie vedenia do dĺžky 25 m musia vykazovať prierez 1,5 mm².

Prípojky a opravy elektrickej výbavy smie vykonávať iba vyučený elektrikár.

V prípade otázok uveďte, prosím, nasledujúce údaje:

- druh prúdu motora,
- údaje z typového štítku motora.

15. Likvidácia a opätovné zhodnotenie

Prístroj sa nachádza v obale, aby sa zabránilo prípadným škodám pri preprave. Tento obal je surovina, je teda opätovne použiteľný alebo možno vykonať jeho recykláciu.

Prístroj a jeho príslušenstvo pozostávajú z rôznych materiálov, ako napr. kov a plasty. Poškodené konštrukčné diely odovzdajte na likvidáciu nebezpečného odpadu. Informácie si zistíte v špecializovanom obchode alebo od správy obce!



Obal je z ekologického materiálu, ktorý môžete zlikvidovať v miestnych recyklačných centrách.

O možnostiach likvidácie opotrebovaného prístroja sa informujte na vašej samospráve alebo štátnej správe.

Staré zariadenia nevyhadzujte do domového odpadu!



Tento symbol upozorňuje na to, že tento výrobok sa musí zlikvidovať podľa smernice o odpade z elektrických a elektronických zariadení (2012/19/EÚ) a nesmie sa zlikvidovať s domovým odpadom. Tento výrobok sa musí odovzdať na to určenému zbernému stredisku. K tomu môže dôjsť napríklad vrátením pri nákupe podobného výrobku alebo odovzdaním autorizovanému zbernému stredisku na recykláciu odpadu z elektrických a elektronických zariadení. Neodborné zaobchádzanie so starými zariadeniami môže mať v dôsledku potenciálne nebezpečných látok, ktoré obsahuje odpad z elektrických a elektronických zariadení, negatívny vplyv na životné prostredie a zdravie osôb. Odbornou likvidáciou tohto výrobku navyše prispievate k efektívnemu využívaniu prírodných zdrojov. Informácie o zberných strediskách pre staré zariadenia získate od vašej miestnej správy, verejnoprávnej inštitúcie zaoberajúcej sa likvidáciou odpadu, autorizovaného úradu pre likvidáciu odpadu z elektrických a elektronických zariadení alebo od vášho odvozu odpadkov.

16. Odstraňovanie porúch

Porucha	Možná príčina	Náprava
Prístroj sa nespúšťa	Chybný motor, kábel alebo zástrčka, zareagovala poisťka v budove	Skontrolujte zásuvku, sieťový prívod, vedenie, sieťovú zástrčku, príp. oprava prostredníctvom odborného elektrikára. Skontrolujte poisťku v budove
	Zapínač/vypínač (11/10) je chybný	Oprava prostredníctvom zákazníckeho servisu
	Motor je chybný	Oprava prostredníctvom zákazníckeho servisu
Silné vibrácie	Základná doska (1) nie je upevnená	Stroj zaistíte na pracovnom stole alebo pod.
	Nástroj nie je upnutý centrovane	Prekontrolujte nástroj v skľučovadle vrtáka (14)
Motor sa ľahko prehrieva	Prefaženie motora, nedostatočné chladenie motora.	Zabráňte prefaženiu motora pri vŕtaní, z motora odstráňte prach, aby sa zaručilo optimálne chladenie motora.
Motor je príliš hlučný	Poškodené vinutia, chybný motor.	Kontrola prostredníctvom zákazníckeho servisu

17. Záručný list

Vážená zákazníčka, vážený zákazník,

naše výrobky podliehajú prísnej kontrole kvality. V prípade, že nebude prístroj napriek tomu bezchybne fungovať, je nám to veľmi ľúto a prosíme Vás, aby ste sa obrátili na našu servisnú službu na adrese uvedenej na tomto záručnom liste. Radi Vám budeme k dispozícii taktiež telefonicky na uvedenom servisnom telefónnom čísle. Pri uplatňovaní nárokov na záručné plnenie platia nasledujúce podmienky:

- Tieto záručné podmienky upravujú dodatočné záručné plnenie. Vaše zákonné nároky na záruku nie sú touto zárukou dotknuté. Naše záručné plnenie je pre Vás zadarmo.
- Záručné plnenie sa vzťahuje výlučne len na nedostatky, ktoré sú spôsobené chybami materiálu alebo výrobnými chybami, a je obmedzené na odstránenie týchto nedostatkov resp. výmenu prístroja. Prosím, dbajte na to, že naše prístroje neboli svojím určením konštruované na profesionálne, remeselnícke ani priemyselné použitie. Táto záručná zmluva sa preto neuzatvára, ak sa prístroj bude používať v profesionálnych, remeselníckych alebo priemyselných prevádzkach ako aj na činnosti rovnocenné s takýmto použitím. Z našej záruky sú okrem toho vylúčené náhradné plnenie za škody pri transporte, škody spôsobené nedodržaním návodu na montáž alebo na základe neodbornej inštalácie, nedodržaním návodu na použitie (ako napr. pripojením na nesprávne sieťové napätie alebo druh prúdu), zneužívaním alebo nesprávnym používaním (ako napr. preťaženie prístroja alebo použitie neprípustných pracovných nástrojov alebo príslušenstva), nedodržaním pokynov pre údržbu a bezpečnostných pokynov, vniknutím cudzích telies do prístroja (ako napr. piesok, kamene alebo prach), použitím násilia alebo cudzieho pôsobenia (napr. škody spôsobené pádom), a taktiež je vylúčené bežné opotrebenie primerané použitiu.

Nárok na záruku zaniká, ak už boli na prístroji svojvoľne uskutočnené zásahy.

- Doba záruky je 3 roky a začína sa dátumom nákupu prístroja. Nároky na záruku sa musia uplatniť pred koncom uplynutia záručnej doby do dvoch týždňov od zistenia nedostatku. Uplatnenie nárokov na záruku po uplynutí záručnej doby je vylúčené. Oprava alebo výmena prístroja nevedie k predĺženiu záručnej doby ani nedochádza na základe tohto plnenia ku vzniku novej záručnej doby pre prístroj ani pre akékoľvek inštalované náhradné diely. To platí taktiež pri nasadení miestneho servisu.
- Pre uplatnenie Vášho nároku na záruku sa, prosím, obráťte na nižšie uvedenú adresu servisu. Pokiaľ reklamácia prebieha počas záručnej doby, dáme Vám k dispozícii formulár o vrátení tovaru, s ktorým nám môže svoj chybný prístroj bezplatne poslať späť. Prosím, popíšte nám čo najpresnejšie dôvod reklamácie. Ak spadá defekt prístroja pod naše záručné plnenie, dostanete obratom naspäť opravený alebo nový prístroj.

Samozrejme Vám radi opravíme závady na prístroji na vaše náklady, ak tieto závady nespádajú alebo už nespádajú do rozsahu záruky. Prosím, pošlite nám v takom prípade prístroj na našu servisnú adresu.

Priama linka servisu (SK):

+800 4003 4003

(0,00 €/Min.)

E-mailová adresa (SK):

service.SK@scheppach.com

Adresa servisu (SK):

GARLAND distributor, s.r.o.

Hradecká 1136

CZ - 50601 Jicín



Na stránke www.lidl-service.com si môžete stiahnuť tieto a veľa ďalších príručiek, videí o výrobkoch a inštalračné softvéry.

Pomocou kódu QR môžete priamo otvoriť stránku služieb spoločnosti Lidl (www.lidl-service.com) a otvoriť si návod na obsluhu zadaním čísla výrobku (IAN) 361816_2010.

1.	Declaración de los símbolos en el aparato	77
2.	Introducción.....	78
3.	Descripción del aparato (fig. 1-11).....	78
4.	Volumen de suministro	78
5.	Uso previsto.....	78
6.	Indicaciones de seguridad	79
7.	Datos técnicos	81
8.	Antes de la puesta en marcha	81
9.	Montaje	82
10.	Manejo	82
11.	Transporte.....	83
12.	Limpieza y mantenimiento	83
13.	Almacenamiento	84
14.	Conexión eléctrica	84
15.	Eliminación y reciclaje	84
16.	Solución de averías.....	85
17.	Certificado de garantía	86
18.	Declaración de conformidad	99

1. Declaración de los símbolos en el aparato

	ES	¡Advertencia! En caso de incumplimiento existe peligro de muerte, peligro de lesión o de daños en la herramienta.	
	ES	¡Antes de la puesta en marcha, leer y seguir el manual de instrucciones así como las indicaciones de seguridad!	
	ES	¡Use gafas protectoras!	
	ES	Llevar protección auditiva.	
	ES	En caso de formación de polvo, llevar protección respiratoria.	
	ES	No llevar el pelo largo suelto. Utilice una redecilla para el pelo.	
	ES	No use guantes.	
	ES	Clase de protección II (aislamiento doble)	
	ES	¡Atención! Radiación por láser	fig. 8, 9

2. Introducción

FABRICANTE:

scheppach

Fabrikation von Holzbearbeitungsmaschinen GmbH
Günzburger Straße 69
D-89335 Ichenhausen (Alemania)

ESTIMADO CLIENTE,

Le deseamos éxito y disfrute al trabajar con su nuevo aparato.

NOTA:

El fabricante de este aparato, de acuerdo con la legislación alemana de responsabilidad sobre productos, no se hace responsable de los daños originados en este aparato o causados por éste en los siguientes casos:

- manejo incorrecto,
- inobservancia de las instrucciones de servicio,
- reparaciones efectuadas por personal técnico no autorizado ajeno a nuestra empresa,
- montaje y sustitución de piezas de repuesto no originales,
- empleo no conforme al previsto,
- fallos de la instalación eléctrica en caso de incumplimiento de las normas eléctricas y disposiciones VDE 0100, DIN 57113 / VDE 0113.

Observe lo siguiente:

Lea antes del montaje y de la puesta en marcha el texto completo del presente manual de instrucciones.

El presente manual de instrucciones tiene como fin facilitarle los conocimientos necesarios sobre su aparato y que pueda aprovechar sus posibilidades de uso conforme a las previstas. El manual de instrucciones incluye importantes indicaciones sobre cómo debe trabajar con el aparato de forma segura, competente y rentable y cómo puede evitar peligros, ahorrar costes por reparaciones, reducir los tiempos de inactividad y aumentar la fiabilidad y la vida útil del aparato.

Además de las normas de seguridad incluidas en este manual de instrucciones, se deberán observar estrictamente las prescripciones vigentes en su país para el funcionamiento del aparato.

Conserve el manual de instrucciones en una funda de plástico, protegido del polvo y la humedad, donde el propio aparato. Estas deberán leerse y observarse con atención por cada persona empleada antes de comenzar a trabajar por primera vez. En el aparato solo deben trabajar personas instruidas en su manejo y familiarizadas con los peligros que este conlleva. Debe respetarse la edad laboral mínima.

Además de las indicaciones de seguridad incluidas en el presente manual de instrucciones y las prescripciones especiales vigentes en su país, deberán observarse las normas técnicas generalmente reconocidas para el funcionamiento de máquinas de estructura similar.

Declinamos cualquier responsabilidad de posibles accidentes o daños que puedan producirse por no obedecer las presentes instrucciones y advertencias de seguridad.

3. Descripción del aparato (fig. 1-11)

1. Placa base
2. Tensor rápido
3. Columna
4. Ajuste de altura de cremallera
5. Ajuste de altura de la palanca de apriete
6. Tope de profundidad de la palanca de apriete
7. Tope de profundidad
8. Asidero
9. Indicador tope de profundidad
10. Interruptor de desconexión
11. Interruptor de conexión
12. Regulador de revoluciones
13. Espaciador
14. Portabrocas
15. Tornillo de mariposa para tope paralelo
16. Tope paralelo
17. Tornillo de sujeción rápida
18. Interruptor de conexión/desconexión de láser
19. Tornillo de cabeza ranurada en cruz (indicador)
20. Escala
21. Llave Allen, 4 mm
22. Llave del portabrocas
23. Marca

4. Volumen de suministro

- 1 taladro
- 1 tensor rápido (2)
- 1 placa base (1)
- 1 tope paralelo (16)
- 1 espaciador (13)
- 1 asidero (8)
- 1 tope de profundidad (7)
- 1 tope (6)
- 1 llave Allen, 4 mm (21)
- 1 llave del portabrocas (22)
- 1 manual de instrucciones
- 1 material de montaje

5. Uso previsto

El taladro de mesa está diseñado para taladrar metal, madera, plástico y azulejos.

Margen de sujeción del portabrocas: 1,5 - 13 mm.

El aparato está diseñado para el uso en la zona de operarios. No se diseñó para el uso comercial permanente. El aparato no está diseñado para que lo utilicen personas menores de 16 años. Los jóvenes mayores de 16 años pueden manejar el aparato solo bajo vigilancia. El fabricante no se responsabiliza de ningún daño causado por un uso que contravenga el uso previsto o un manejo incorrecto.

Recuerde que nuestros aparatos no están diseñados para usos comerciales, artesanales ni industriales. No concedemos ningún tipo de garantía si se utiliza el equipo en empresas comerciales, artesanales o industriales, ni en actividades de características similares.

6. Indicaciones de seguridad

Indicaciones generales de seguridad para herramientas eléctricas

⚠ ¡ADVERTENCIA! Lea todas las indicaciones de seguridad, instrucciones, ilustraciones y datos técnicos que acompañan a esta herramienta eléctrica.

Si no se respetan las siguientes instrucciones, puede producirse una descarga eléctrica, un incendio y/o lesiones graves.

Conserve todas las indicaciones de seguridad e instrucciones para futuros usos.

El término empleado en las indicaciones de seguridad "herramienta eléctrica" se refiere tanto a las herramientas eléctricas conectadas a la red eléctrica (con línea de alimentación), como a las herramientas eléctricas que funcionan por batería (sin línea de alimentación).

Seguridad en el lugar de trabajo

a) Tenga su zona de trabajo ordenada y bien iluminada.

Las zonas de trabajo desordenadas o mal iluminadas pueden causar accidentes.

b) Con la herramienta eléctrica, no trabaje en entornos en peligro de explosión en los que haya líquidos, gases o polvos inflamables.

Las herramientas eléctricas producen chispas que pueden inflamar el polvo o los vapores.

c) Cuando use esta herramienta eléctrica, no permita que se acerquen niños ni otras personas.

Al distraerse puede perder el control de la herramienta eléctrica.

Seguridad eléctrica

a) La clavija de conexión de la herramienta eléctrica debe ser compatible con la toma de enchufe.

Bajo ningún concepto se debe modificar la clavija. No utilice adaptadores de conexión en las herramientas eléctricas con toma de tierra. Las clavijas compatibles y sin modificar reducen el riesgo de una descarga eléctrica.

b) Evite el contacto corporal con las superficies conectadas a tierra tales como tuberías, calentadores, estufas y refrigeradores. Existe un mayor riesgo de descarga eléctrica si su cuerpo está en contacto con la tierra.

c) Mantenga las herramientas eléctricas alejadas de la lluvia o la humedad.

La entrada de agua en la herramienta eléctrica aumenta el riesgo de una descarga eléctrica.

d) No modifique la finalidad del cable de conexión para cargar, colgar la herramienta eléctrica o para desenchufar la clavija de la toma de enchufe.

Aleje el cable lejos del calor, del aceite, los cantos afilados o los componentes móviles del aparato. Unos cables de conexión dañados o enredados aumentan el riesgo de una descarga eléctrica.

e) Si trabaja con una herramienta eléctrica al aire libre, emplee solo cables prolongadores que también sean adecuados para zonas exteriores.

El uso de un cable prolongador adecuado para zonas exteriores reduce el riesgo de una descarga eléctrica.

f) Si no se puede evitar el funcionamiento de la herramienta eléctrica en un entorno húmedo, emplee un interruptor de corriente residual.

El uso de un interruptor de protección de corriente residual reduce el riesgo de una descarga eléctrica.

Seguridad de las personas

a) Sea cuidadoso y preste atención a lo que hace, y realice con prudencia el trabajo con una herramienta eléctrica.

No use ninguna herramienta eléctrica si está cansado o si está bajo el efecto de drogas, alcohol o medicamentos. Un descuido durante el uso de la herramienta eléctrica puede causar lesiones graves.

b) Use equipos de protección individual y lleve siempre gafas de protección.

Usar equipo de protección personal (por ejemplo máscara antipolvo, calzado de seguridad antideslizante, casco o protección auditiva) adecuado al tipo de herramienta eléctrica y su uso reduce el riesgo de sufrir lesiones.

c) Evite una puesta en marcha accidental. Asegúrese de que la herramienta eléctrica se encuentre desconectada antes de cogerla o transportarla o conectarla a la alimentación de corriente y/o a la batería. Si transporta el aparato sujetándolo por el interruptor de conexión/ desconexión, o si introduce el enchufe en la toma de corriente con el aparato conectado, puede dar lugar a accidentes.

d) Antes de encender la herramienta eléctrica, retire cualquier herramienta eléctrica o llave inglesa.

Una herramienta o una llave puesta en una pieza giratoria de la herramienta eléctrica puede causar lesiones.

e) Evite posturas forzadas.

Procure una buena estabilidad y mantenga siempre el equilibrio. Así controlará mejor la herramienta eléctrica, si surge una situación imprevista.

f) Use ropa adecuada. No use ropa holgada ni joyas. No acerque el cabello, la ropa ni los guantes a ninguna pieza móvil. La ropa holgada, las joyas y el cabello largo pueden engancharse en las piezas móviles.

g) Si pueden instalarse dispositivos de aspiración y recogida de polvo, asegúrese de que éstos se conecten y utilicen de la manera correcta.

El uso de un aspirador de polvo puede reducir los riesgos derivados del polvo.

h) No se confíe ni ignore las reglas de seguridad de las herramientas eléctricas, ni siquiera en caso de estar familiarizado con la herramienta eléctrica por un uso frecuente de la misma.

Un manejo poco atento puede causar lesiones de extrema gravedad en fracciones de segundo.

Uso y manipulación de la herramienta eléctrica

a) No sobrecargue la herramienta eléctrica.

Trabaje con la herramienta eléctrica adecuada. Si usa la herramienta eléctrica adecuada, trabajará mejor y más seguro dentro del rango de potencia indicado.

b) No emplee una herramienta eléctrica con un interruptor defectuoso. Una herramienta eléctrica que ya no se pueda conectar o desconectar de nuevo, es peligrosa y se debe reparar.

c) Retire la clavija de conexión de la toma de enchufe y/o retire una batería extraíble antes de realizar ajustes en el aparato, cambiar piezas intercambiables de la herramienta o guardar la herramienta eléctrica.

Esta medida de precaución evita el arranque involuntario de la herramienta eléctrica.

d) Conserve la herramienta eléctrica no utilizada fuera del alcance de los niños.

No deje utilizar la herramienta eléctrica a ninguna persona que no esté familiarizada con ella o que no haya leído estas instrucciones. Las herramientas eléctricas son peligrosas si son utilizadas por personas sin experiencia.

e) Cuide con esmero las herramientas eléctricas y los insertos intercambiables de la misma.

Compruebe que las piezas móviles funcionan bien y no se atascan, que no hay piezas rotas ni dañadas, y que la herramienta eléctrica funciona correctamente. Si hay alguna pieza dañada, repárela antes de usar la herramienta eléctrica. Muchos accidentes se deben a herramientas eléctricas que no han recibido el debido mantenimiento.

f) Mantenga las herramientas de corte afiladas y limpias. Las herramientas de corte con bordes cortantes y afilados conservadas cuidadosamente se atascan menos y son más fáciles de conducir.

g) Use la herramienta eléctrica, los accesorios, las herramientas, etc. conforme a estas instrucciones.

Tenga en cuenta las condiciones de trabajo y los trabajos que se deben realizar. El uso de herramientas eléctricas para fines no previstos puede ser peligroso.

h) Mantenga las empuñaduras y sus superficies secas, limpias y libres de aceite y grasa. Unas empuñaduras y unas superficies de agarre resbaladizas no permiten realizar un manejo y control seguro de la herramienta eléctrica en situaciones imprevistas.

Servicio técnico

a) Encargue la reparación de su herramienta eléctrica solamente a personal técnico cualificado y únicamente con piezas de repuesto originales.

Así garantizará que la herramienta eléctrica siga siendo segura.

Indicaciones de seguridad para taladros

a) El taladro debe estar asegurado. Un taladro no asegurado correctamente puede moverse o volcarse y causar lesiones.

b) La pieza de trabajo debe estar sujeta o asegurada al soporte de la pieza de trabajo. No taladre piezas de trabajo que sean demasiado pequeñas para una sujeción segura. Sostener la pieza de trabajo con la mano puede causar lesiones.

c) No use guantes. Las piezas giratorias o las virutas de taladro pueden quedarse enganchadas en los guantes y causar lesiones.

d) No acerque las manos al área de taladro mientras la herramienta eléctrica esté en marcha. El contacto con piezas giratorias o virutas de taladro puede causar lesiones.

e) La herramienta de taladrado debe girar antes de acercarla a la pieza de trabajo. De lo contrario, la herramienta de taladrado puede quedar enganchada en la pieza de trabajo y provocar un movimiento inesperado de la pieza de trabajo y causar lesiones.

f) En caso de que la herramienta de taladrado se bloquee, deje de presionar hacia abajo y desconecte la herramienta eléctrica. Averigüe y elimine la causa del bloqueo. El bloqueo puede ocasionar un movimiento inesperado de la pieza de trabajo y causar lesiones.

g) Evite largas virutas de taladro interrumpiendo con frecuencia la presión hacia abajo. Las virutas de metal afiladas pueden enredarse y causar lesiones.

h) No retire nunca virutas de taladro del área de taladro mientras la herramienta eléctrica esté en marcha. Para retirar las virutas, aleje la herramienta de taladrado de la pieza de trabajo, desconecte la herramienta eléctrica y espere a que la herramienta de taladrado se detenga. Para retirar las virutas, utilice un medio auxiliar como una escobilla o un gancho. El contacto con piezas giratorias o virutas de taladro puede causar lesiones.

i) La velocidad de giro permitida de las herramientas de aplicación con velocidad asignada debe ser por lo menos tan alta como la velocidad de giro máxima de la herramienta eléctrica. Los accesorios que giran más rápido de lo permitido pueden romperse y salir volando.



Atención: Radiación láser
Nunca mire directamente al rayo

Tipo de láser 2



¡Protéjase a sí mismo y a su entorno de los riesgos de accidentes tomando las medidas de precaución oportunas!

- No mire directamente al haz láser con los ojos desprotegidos.
- Nunca mire directamente a la trayectoria del haz.
- Nunca apunte el haz láser hacia superficies reflectantes ni hacia personas o animales. Incluso un haz láser de baja potencia puede provocar lesiones oculares.
- Precaución: si se utilizan procedimientos distintos a los especificados aquí, puede producirse una exposición peligrosa a la radiación.

- No abra nunca el módulo láser. Podría producirse una exposición imprevista a la radiación.
- El láser no debe sustituirse por un láser de otro tipo.
- Solo el fabricante del láser o un representante autorizado están autorizados a realizar reparaciones en el láser.
- Para marcado y ubicación de las etiquetas de advertencia, ver fig. 8 y 9.


⚠ ¡ADVERTENCIA! Esta herramienta eléctrica produce un campo electromagnético mientras funciona. Este campo puede perjudicar bajo circunstancias concretas implantes médicos activos o pasivos. Con el fin de reducir el peligro de lesiones graves o mortales, recomendamos a las personas con implantes médicos que consulten tanto a su médico como al fabricante del implante médico antes de manejar la herramienta eléctrica.

Riesgos residuales

Aunque esta herramienta eléctrica se maneje según el reglamento, siempre puede haber riesgos residuales. Los siguientes peligros se pueden presentar asociados con la forma de construcción y el modelo de esta herramienta eléctrica:

- Daños pulmonares si no se emplea una mascarilla antipolvo adecuada.
- Daños auditivos si no se emplea una protección auditiva adecuada.
- Daños para la salud derivados de oscilaciones entre manos y brazos, si el aparato se utiliza durante un periodo de tiempo muy prolongado o no se maneja de forma correcta y su mantenimiento es inadecuado.

7. Datos técnicos

Motor de corriente alterna	220 - 240 V~ 50 Hz
Potencia S1	710 Watt
Modo de servicio	S2 5min* 900W
Número de revoluciones en régimen de marcha al ralentí n_0	500 - 2600 min ⁻¹
Margen de sujeción del portabrocas	1,5 - 13 mm.
Elevación del taladro máx.	70 mm
Dimensiones de la placa base	320 x 305 mm
Distancia desde portabrocas hasta placa base	280 mm
Peso aprox.	8,3 kg
Clase de protección	II / 
Tipo de láser	2
Longitud de onda láser	650 nm
Potencia del láser	< 1 mW

* Después de 5 minutos de funcionamiento continuo, tiene lugar un período de descanso hasta que la temperatura del aparato y la temperatura ambiente tienen una diferencia de menos de 2 K (2 °C).

La pieza de trabajo debe tener como mínimo un alto de 3 mm y un ancho de 45 mm.

Preste atención a que la pieza de trabajo se asegure siempre con el dispositivo tensor.

Es posible que las piezas de trabajo que sobresalgan deban apoyarse lateralmente utilizando soportes adicionales.

Ruido

Los valores con respecto al ruido se determinaron conforme a la norma EN 62841.

Nivel de presión acústica L_{pA}	89,6 dB(A)
Incertidumbre K_{pA}	3 dB
Nivel de potencia acústica L_{WA}	102,6 dB(A)
Incertidumbre K_{WA}	3 dB

Utilice protección auditiva.

El efecto del ruido puede causar pérdida auditiva. Los valores de emisiones de ruido indicados se han medido siguiendo un proceso de comprobación normalizado y pueden utilizarse para comparar una herramienta eléctrica con otra. Los valores de emisión de ruidos indicados se pueden emplear también para una evaluación provisional de la carga.

Advertencia:

- Las emisiones de ruido pueden diferir de los valores indicados durante el uso real de la herramienta eléctrica, dependiendo del tipo y modo de uso de la misma, especialmente, del tipo de pieza de trabajo con el que se trabaje.
- Intente mantener lo más baja posible la carga. Medida a modo de ejemplo: limitación del tiempo de trabajo. Para ello, deben tenerse en cuenta todas las fracciones de los ciclos de funcionamiento (por ejemplo, tiempos en los que la herramienta eléctrica se encuentra desconectada, y tiempos en los que se encuentra conectada, pero funcionando sin carga).

8. Antes de la puesta en marcha

- Abra el embalaje y extraiga el aparato cuidadosamente.
- Retire el material de embalaje y los seguros de embalaje y transporte (si los hay).
- Compruebe la integridad del volumen de suministro.
- Compruebe que no haya daños de transporte en el aparato y en los componentes de los accesorios.
- Conserve el embalaje por si fuera preciso hasta la extinción del período de garantía.

ATENCIÓN

¡El aparato y los materiales de embalaje no son aptos como juguetes para niños! ¡Los niños no deben jugar con bolsas de plástico, láminas o piezas pequeñas! ¡Existe peligro de atragantamiento y asfixia!

Antes de efectuar la conexión, cerciórese de que los datos en la placa de características coinciden con los datos de la red.

- Compruebe que el aparato no haya sufrido daños durante el transporte. Notifique de inmediato cualquier daño detectado a la empresa de transporte encargada de entregar la herramienta eléctrica.
- Se deberá evitar el uso de cables de conexión largos (cables alargadores).
- No utilice la herramienta eléctrica en una sala húmeda o mojada.
- La herramienta eléctrica deberá utilizarse solamente en salas adecuadas (bien ventiladas).

9. Montaje

⚠ ¡Atención!

Antes de la puesta en marcha, es imprescindible montar por completo el aparato.

⚠ Antes de conectar el aparato a la red eléctrica, asegúrese de que los datos de la placa de características coinciden con los datos de la conexión de red.

⚠ **¡Advertencia!** Desenchufe siempre la clavija de conexión de la red antes de efectuar ajustes en el aparato.

9.1 Montaje de la placa base y de la columna (fig. 2)

1. Deslice el tensor rápido (2) sobre la columna (3).
2. Inserte la columna (3) en la placa base (1), de modo que el perno guía del extremo inferior de la columna (3) encaje en la ranura de alojamiento de la placa base (1).
3. Apriete los tornillos de sujeción (A) premontados de la parte trasera de la placa base (1) con la llave Allen (21).

9.2 Montaje del tope paralelo (fig. 4)

1. Empuje el tope paralelo (16) en las ranuras de la placa base (1).
2. Asegúrese de que las tuercas correderas en ranura debajo de los tornillos de mariposa para el tope paralelo (15) estén alineadas en las ranuras.
3. Coloque el tope paralelo (16) en la posición deseada y apriete los tornillos de mariposa para el tope de paralelo (15).

9.3 Montaje de la rueda de mano (fig. 2)

1. Retire el tornillo de fijación premontado (B).
2. Asegúrese de que el espaciador (13) esté correctamente asentado.
3. Deslice el asidero (8) en el alojamiento (G) como se representa en la fig. 2.
4. Coloque la tuerca (C) en la escotadura del asidero (8) y apriete el tornillo de fijación (B).

9.4 Montaje del tope de profundidad (fig. 2)

1. Inserte el tope de profundidad (7) desde arriba en la escotadura de la carcasa.
2. Monte el tope de profundidad de la palanca de apriete (6) como se muestra en la fig. 2.

9.5 Montaje sobre una superficie de trabajo (fig. 4)

Fije el aparato sobre la superficie de trabajo atornillando la placa base (1) sobre la superficie de trabajo

10. Manejo

10.1 Ajuste de altura (fig. 2, 3)

La posición del cabezal de la máquina se puede ajustar en función de la altura de la pieza o de la longitud de la herramienta.

1. Sujete el asidero (8) con firmeza.
2. Abra la palanca de apriete de ajuste de altura (5).
3. Determine la posición del cabezal de la máquina mediante el asidero (8).
4. Asegure la posición del cabezal de la máquina con la palanca de apriete de ajuste de altura (5).

¡Atención! En la posición más baja del cabezal de la máquina, se debe procurar que este no se desplace más allá de la marca (23).

Asegure esta posición del cabezal de la máquina con el ajuste de altura de la palanca de apriete (5). De lo contrario, la guía podría resultar dañada.

10.2 Ajustar la profundidad de taladrado (fig. 1, 11)

Con el tope de profundidad (7) se puede determinar la profundidad de taladrado.

1. Afloje la palanca de apriete en el tope de profundidad (6).
2. Realice un taladro de prueba. Una vez que se haya alcanzado la profundidad deseada, vuelva a apretar la palanca de sujeción del tope de profundidad (6).
3. Ahora el tope de profundidad (7) está bloqueado a la profundidad de taladrado deseada.
4. Compruebe a continuación la posición del tope de profundidad. Si la dimensión mostrada no coincide con la profundidad de taladrado real, el indicador (9) puede reajustarse.
 - Afloje el tornillo de cabeza ranurada en cruz (19) del indicador (9).
 - Coloque el indicador (9) en la posición correcta en relación con la escala (20).
 - Apriete de nuevo el tornillo de cabeza ranurada en cruz (19).

10.3 Sujetar/desenganchar la herramienta (fig. 5, 6)

¡Precaución! No deje que la llave del portabrocas se atasque. Peligro de lesiones por lanzar la llave del portabrocas.

10.3.1 Sujeción

1. Inserte la llave del portabrocas (22).
2. Gire la llave del portabrocas (22) en sentido contrario a las agujas del reloj para abrir el casquillo de sujeción (D).
3. Inserte la herramienta intercambiable (E).
4. Sujete firmemente la herramienta intercambiable (E).
5. Gire la llave del portabrocas (22) en el sentido de las agujas del reloj para cerrar el casquillo de sujeción (D) y asegurar la herramienta intercambiable.
6. Compruebe el firme asiento de la herramienta intercambiable (E).
7. Vuelva a retirar la llave del portabrocas (22).

10.3.2 Desenganche

1. Inserte la llave del portabrocas (22).
2. Gire la llave del portabrocas (22) en sentido contrario a las agujas del reloj hasta que se pueda sacar la herramienta intercambiable (E).
3. Vuelva a retirar la llave del portabrocas (22).

10.4 Alinear la pieza de trabajo (fig. 1)

1. Conecte el láser de líneas cruzadas mediante el interruptor de conexión/desconexión (18).
2. El punto de intersección de las dos líneas láser muestra exactamente el punto central de la broca.
3. Ajuste la marca de su pieza de trabajo a la cruz láser.

10.5 Sujetar la pieza de trabajo (fig. 7)

La pieza a trabajar debe poder sujetarse con firmeza con abrazaderas. No trabaje con piezas que no puedan sujetarse con abrazaderas.

El troquelado del tensor rápido debe estar alineado centralmente con el agujero. De lo contrario, el tensor rápido podría bloquear la broca o el portabrocas.

1. Posicione la pieza de trabajo con la ayuda del láser de líneas cruzadas.
2. Afloje el tornillo de sujeción rápida (17).
3. Deje que el tensor rápido (2) se apoye en la pieza de trabajo.
4. Gire el tornillo de sujeción rápida (17) en el sentido de las agujas del reloj para sujetar la pieza de trabajo.
5. Para aflojar el tensor rápido (2) gire el tornillo de sujeción rápida (17) en el sentido contrario a las agujas del reloj.

10.6 Sujeción de piezas de trabajo más grandes (fig. 7)

Utilice el tope paralelo (16) para piezas de trabajo más grandes:

1. Afloje los tornillos de mariposa del tope paralelo (15) e inserte el tope paralelo (16) en las ranuras de la placa base.
2. Apriete los tornillos de mariposa del tope paralelo (15).
3. Ajuste su pieza de trabajo al tope paralelo (16) y sujétela con el tensor rápido (2).

¡Advertencia! Para las piezas de trabajo que sean más anchas o más largas que la superficie de la mesa, debe procurarse un apoyo apropiado, como por ejemplo, bastidores inferiores o caballetes de aserrado.

Las piezas de trabajo que sean más largas o más anchas que la placa base de la taladradora de sobremesa podrían ladearse y caer en caso de no estar firmemente afianzadas. Si la pieza de trabajo cae, puede dañar la protección del portabrocas o la herramienta de corte.

10.7 Ajustar la velocidad de giro (fig. 1)

La velocidad de giro correcta debe depender de la pieza a trabajar y debe ajustarse en función del diámetro de la pieza de trabajo.

10.7.1 Regulación electrónica del número de revoluciones

Con la regulación electrónica del número de revoluciones, el número de revoluciones se puede ajustar de forma continua: Ajuste el número de revoluciones con la ayuda del regulador de revoluciones (12).

El número de revoluciones actual se puede leer con la marca en el regulador de revoluciones (12).



10.8 Conexión y desconexión (fig. 1)

Encendido: Pulse el interruptor de conexión (11) para conectar el aparato.

Apagado: Pulse el interruptor de desconexión (10) para desconectar el aparato.

10.9 Proceso de taladrado (fig. 1, 7)

1. Ajuste la pieza de trabajo y sujétela con abrazaderas.
2. Ponga en marcha el aparato y ajuste la velocidad de giro.
3. Para el taladrado, gire el asidero (8) con un avance homogéneo hasta alcanzar la profundidad de taladrado deseada. Cuando taladre metales, interrumpa el avance brevemente para romper la viruta.
4. Tras alcanzar la profundidad de taladrado, vuelva a colocar el asidero (8) en la posición inicial.
5. Desconecte el aparato.

11. Transporte

⚠ ¡Advertencia! ¡Desenchufe la clavija de conexión de la red antes del transporte!

- Sujete la herramienta eléctrica sobre la placa base (1) para transportarla.

12. Limpieza y mantenimiento

⚠ ¡Advertencia! Antes de efectuar cualquier trabajo de ajuste, conservación o reparación, desenchufar la clavija de conexión de la red.

12.1 Medidas generales de mantenimiento

⚠ Encargue a un taller especializado cualquier trabajo no descrito en este manual de instrucciones. Utilice únicamente piezas originales. Deje que el aparato se enfríe antes de realizar cualquier trabajo de mantenimiento y limpieza.

⚠ ¡Peligro de quemaduras!

Antes de cada uso, compruebe que el aparato no tenga defectos evidentes como piezas sueltas, desgastadas o dañadas, o que el asiento de tornillos y otras piezas sea correcto. Sustituya inmediatamente las piezas dañadas.

12.2 Limpieza

No utilice productos de limpieza ni disolventes. Las sustancias químicas pueden deteriorar las piezas de plástico del aparato. Nunca limpie el aparato con agua corriente.

- Limpie el aparato en profundidad después de cada uso.
- Limpie los orificios de ventilación y la superficie del aparato con una escobilla blanda, un pincel o un paño.
- Retire las virutas, el polvo y la suciedad con una aspiradora, si es necesario.
- Lubrique las piezas móviles regularmente.

12.3 Mantenimiento

En el aparato no existe ninguna pieza que necesite mantenimiento.

12.4 Cambio del portabrocas (fig. 1, 5, 10)

⚠ ¡Advertencia! ¡Desenchufe la clavija de red!

Herramientas necesarias (no incluidas en el volumen de suministro):
1 x llave de boca 27 mm

- Retire la herramienta intercambiable tal como se describe en el apartado 10.3.2.
- Apriete firmemente el casquillo de sujeción (D) girando la llave del portabrocas (22) en el sentido de las agujas del reloj.
- Sujete firmemente el portabrocas (14) con una mano mientras mueve la tuerca (F) hacia abajo en sentido de las agujas del reloj usando la llave de tuercas (27 mm).
- Tan pronto como el portabrocas (14) se afloja del asiento del eje, se puede sacar.
- Fije el nuevo portabrocas en orden inverso.

Para sustituir el portabrocas solo se pueden utilizar portabrocas autorizados por el fabricante.

Número de pedido: 390 6814 001

12.5 Información de servicio

Hay que tener en cuenta que los siguientes componentes de este producto están sometidos a desgaste natural o por el uso o que se requieren los siguientes materiales de consumo.

Piezas de desgaste*: Escobillas de carbón, brocas

* ¡No incluida obligatoriamente en el volumen de suministro!

13. Almacenamiento

Almacene el aparato y sus accesorios en un lugar oscuro, seco y sin riesgo de heladas que no esté al alcance de los niños. El rango de temperatura de almacenamiento es de 5 a 30 °C.

Conserve la herramienta eléctrica en su embalaje original.

Cubra la herramienta eléctrica para protegerla del polvo o de la humedad.

Guarde las instrucciones de servicio junto con la herramienta eléctrica.

14. Conexión eléctrica

El motor eléctrico instalado está conectado listo para utilizarse. La conexión cumple las pertinentes disposiciones VDE y DIN. La conexión a la red por parte del cliente, así como el cable alargador utilizado deben cumplir estas normas.

14.1 Advertencias importantes

En caso de sobrecarga del motor, este se desconecta automáticamente. Tras un tiempo de refrigeración (los tiempos varían), puede conectarse de nuevo el motor.

14.2 Línea de conexión eléctrica defectuosa

En las líneas de conexión eléctrica surgen a menudo daños de aislamiento.

Las causas para ello pueden ser:

- Zonas aprisionadas al conducir las líneas de conexión a través de ventanas o puertas entreabiertas.
- Dobleces ocasionados por la fijación o el guiado incorrectos de la línea de conexión.
- Zonas de corte al sobrepasar la línea de conexión.
- Daños de aislamiento por tirar de la línea de conexión del enchufe de la pared.

- grietas causadas por el envejecimiento del aislamiento.

Tales líneas de conexión eléctrica defectuosas no deben utilizarse, pues suponen un riesgo para la vida debido a los daños de aislamiento.

Supervisar con regularidad las líneas de conexión eléctrica en busca de posibles daños. Durante la comprobación, preste atención a que la línea de conexión no cuelgue de la red eléctrica.

Las líneas de conexión eléctrica deben cumplir las pertinentes disposiciones VDE y DIN. Utilice solo líneas de conexión eléctrica con certificación "H05VV-F".

La impresión de la denominación del tipo en el cable de conexión es obligatoria.

Si es necesario sustituir la línea de conexión, esta debe realizarla el fabricante o su representante para evitar riesgos de seguridad.

14.3 Motor de corriente alterna

La tensión de la red debe ser de 220 - 240 V~ 50 Hz.

- Los cables alargadores de hasta 25 m de longitud deben poseer una sección de 1,5 milímetros cuadrados.

Las conexiones y reparaciones del equipamiento eléctrico debe realizarlas solo un experto electricista.

En caso de posibles dudas, indique los siguientes datos:

- Tipo de corriente del motor
- Datos de la placa de características del motor

15. Eliminación y reciclaje

El aparato se encuentra en un envase para evitar daños de transporte. Este envase es materia prima, por lo que se puede reutilizar o devolver al circuito de materias primas.

El aparato y sus accesorios se componen de diferentes materiales como, p. ej. metal y materiales sintéticos. Elimine los componentes defectuosos en un punto de eliminación de residuos peligrosos. ¡Pregunte en alguna tienda especializada o en la administración municipal!



El embalaje está compuesto de materiales ecológicos que pueden ser eliminados en los puntos de reciclaje locales.

En su ayuntamiento o administración municipal podrá obtener información sobre las distintas opciones de eliminación de un aparato fuera de uso.

¡No arroje los aparatos usados a la basura doméstica!



Este símbolo indica que el producto, según la directiva sobre residuos de aparatos eléctricos y electrónicos (2012/19/UE) y las leyes nacionales, no puede eliminarse junto con la basura doméstica. En su lugar, este producto deberá ser conducido a un punto de recogida adecuado. Esto puede efectuarse devolviendo el aparato al comprar uno nuevo de características similares o entregándolo en un punto de recogida autorizado para el reciclaje de residuos de aparatos eléctricos y electrónicos. La manipulación inadecuada de aparatos eléctricos y electrónicos usados puede tener efectos negativos en el medio ambiente y en la salud humana, debido a las sustancias potencialmente peligrosas que estos frecuentemente contienen. Al eliminar correctamente este producto, Ud. contribuye además a un aprovechamiento eficaz de los recursos naturales. Para más información acerca de los puntos de recogida de residuos de aparatos usados, póngase en contacto con su ayuntamiento, el organismo público de recogida de residuos, cualquier centro autorizado para la eliminación de residuos de aparatos eléctricos y electrónicos o la oficina del servicio de recogida de basuras.

16. Solución de averías

Avería	Causa posible	Solución
El aparato no arranca	Motor, cable o clavija defectuosos, el fusible doméstico salta	Compruebe la toma de enchufe, el cable de alimentación de red, el cable de conexión, la clavija de red y encargue, en caso necesario, su reparación a un electricista. Revise el fusible doméstico
	Interruptor de conexión/desconexión (11/10) averiado	Reparación por servicio técnico
	Motor averiado	Reparación por servicio técnico
Vibraciones fuertes	La placa base (1) no está fijada	Asegurar la máquina sobre un banco de trabajo o similar
	La herramienta no está fijada de manera centrada	Comprobar la herramienta del portabrocas (14)
El motor se sobrecalienta con facilidad	Sobrecarga del motor, insuficiente refrigeración del motor.	Evitar la sobrecarga del motor al taladrar, retirar el polvo del motor para garantizar una refrigeración óptima del motor.
El motor hace demasiado ruido	Bobinas dañadas, motor averiado.	Control mediante el servicio técnico

17. Certificado de garantía

Estimado cliente,

Nuestros productos están sometidos a un estricto control de calidad. No obstante, lamentaríamos que este aparato dejara de funcionar correctamente, en tal caso, le rogamos que se dirija a nuestro servicio de atención al cliente en la dirección indicada en la parte inferior de la presente tarjeta de garantía. Con mucho gusto le atenderemos también telefónicamente en el número de servicio indicado a continuación. Para hacer válido el derecho de garantía, proceda de la siguiente forma:

- Estas condiciones de garantía regulan prestaciones de la garantía adicionales. Sus derechos legales a prestación de garantía no se ven afectados por la presente garantía. Nuestra prestación de garantía es gratuita para usted. La prestación de garantía se extiende exclusivamente a defectos ocasionados por fallos de material o de producción y está limitada a la reparación de los mismos o al cambio del aparato. Tenga en consideración que nuestro aparato no está indicado para un uso comercial, en taller o industrial. Por lo tanto, no procederá un contrato de garantía cuando se utilice el aparato en zonas industriales, comerciales o talleres, así como actividades similares. De nuestra garantía se excluye cualquier otro tipo de prestación adicional por daños ocasionados por el transporte, daños ocasionados por la no observancia de las instrucciones de montaje o por una instalación no profesional, no observancia de las instrucciones de uso (como, p. ej., conexión a una tensión de red o corriente no indicada), aplicaciones impropias o indebidas (como, p. ej., sobrecarga del aparato o uso de herramientas o accesorios no homologados), no observancia de las disposiciones de mantenimiento y seguridad, introducción de cuerpos extraños en el aparato (como, p. ej., arena, piedras o polvo), uso violento o influencias externa (como, p. ej., daños por caídas), así como por el desgaste habitual por el uso.

El derecho a garantía pierde su validez cuando ya se hayan realizado intervenciones en el aparato.

- El periodo de garantía es de 3 años y comienza en la fecha de la compra del aparato. El derecho de garantía debe hacerse válido, antes de finalizado el plazo de garantía, dentro de un periodo de dos semanas una vez detectado el defecto. El derecho de garantía vence una vez transcurrido el plazo de garantía. La reparación o cambio del aparato no conllevará ni una prolongación del plazo de garantía ni un nuevo plazo de garantía ni para el aparato ni para las piezas de repuesto montadas. Esto también se aplica en el caso de un servicio in situ.
- Para reclamar sus derechos de garantía, póngase en contacto con la dirección de servicio que aparece a continuación. Si la reclamación se encuentra dentro del período de garantía, pondremos a su disposición un impreso de devolución con el que podrá devolvernos su aparato defectuoso sin cargo alguno. Describa con la mayor precisión posible el motivo de la reclamación. Si nuestra prestación de garantía incluye el defecto aparecido en el aparato, recibirá de inmediato un aparato reparado o nuevo de vuelta.

Naturalmente, también solucionaremos los defectos del aparato que no se encuentren comprendidos o ya no se encuentren comprendidos en la garantía, en este caso contra reembolso de los costes. Para ello, envíe el aparato a nuestra dirección de servicio técnico.

Cliente Servicio (ES):

+800 4003 4003
(0,00 EUR/Min.)

Correo electrónico de servicio (ES):

service.ES@scheppach.com

Dirección del servicio (ES):

ISTEGA S.L.
Ctra. De Cambre al Temple, 106 - A Barcala
ES - 15660 Cambre (A Coruña)








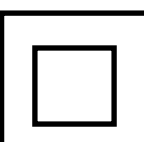



En www.lidl-service.com puede descargar estos y muchos otros manuales, videotutoriales de productos y software de instalación.

El código QR le direcciona directamente a la página de servicio de Lidl (www.lidl-service.com) y puede abrir el manual de instrucciones introduciendo el número de artículo (IAN) 361816_2010.

Indholdsfortegnelse:	Side:
1. Forklaring til symbolerne på maskinen	88
2. Indledning.....	89
3. Beskrivelse af apparatet (fig. 1-11)	89
4. Leveringsomfang	89
5. Tilsigtet brug	89
6. Sikkerhedsforskrifter	90
7. Tekniske data.....	92
8. Før ibrugtagning.....	92
9. Montering.....	92
10. Betjening.....	93
11. Transport.....	94
12. Rengøring og vedligeholdelse	94
13. Opbevaring.....	94
14. El-tilslutning	94
15. Bortskaffelse og genbrug.....	95
16. Afhjælpning af fejl.....	95
17. Garantibevis	96
18. Overensstemmelseserklæring	99

1. Forklaring til symbolerne på maskinen

	(DK)	Advarsel! Tilsidesættelse er forbundet med livsfare, fare for personskader eller beskadigelse af værktøjet!	
	(DK)	Læs og overhold brugsanvisningen og sikkerhedsforskrifterne før ibrugtagning!	
	(DK)	Brug beskyttelsesbriller!	
	(DK)	Brug høreværn!	
	(DK)	Brug åndedrætsværn i støvede omgivelser!	
	(DK)	Undgå betjening med langt, løsthængende hår. Benyt hårbåndet.	
	(DK)	Undlad brug af handsker.	
	(DK)	Kapslingsklasse II (dobbeltisolering)	
 <p> Achtung! - Laserstrahlung Nicht in den Strahl blicken! Laser Klasse 2 Laserspezifikation nach EN 60825-1:2014 λ = 650 nm P_e < 1 mW </p>	(DK)	Pas på! Laserstråling	fig. 8, 9

2. Indledning

PRODUCENT:

scheppach

Fabrikation von Holzbearbeitungsmaschinen GmbH
Günzburger Straße 69
D-89335 Ichenhausen

KÆRE KUNDE

Vi ønsker dig rigtig god fornøjelse og held og lykke med arbejdet med dit nye apparat.

BEMÆRK:

Iht. den gældende lov om produktansvar hæfter producenten af denne maskine ikke for skader, der opstår på eller i forbindelse med denne maskine i forbindelse med:

- forkert behandling
- manglende overholdelse af betjeningsvejledningen
- reparationer gennemført af tredjemand og/eller af ikke autoriserede fagfolk
- indbygning og udskiftning af ikke originale reservedele
- brug i strid med formålet
- Svigt af det elektriske anlæg som følge af tilsidesættelse af de elektriske forskrifter og VDE-bestemmelserne 0100, DIN 57113 / VDE0113.

Vær opmærksom på følgende:

Læs hele brugsanvisningens tekst igennem før montering og før ibrugtagning.

Formålet med denne brugsanvisning er at gøre det lettere for dig at lære apparatet at kende og benytte det som tilsigtet.

Brugsanvisningen indeholder vigtige oplysninger om, hvordan man bruger apparatet sikkert, professionelt og økonomisk, og hvordan man undgår farer, sparer reparationsomkostninger, reducerer driftsstop og øger apparatets driftssikkerhed og levetid.

Udover sikkerhedsbestemmelserne i denne brugsanvisning skal de forskrifter vedr. brug af apparatet, der måtte gælde i det enkelte land (brugslandet), overholdes til punkt og prikke.

Opbevar brugsanvisningen i nærheden apparatet; pak den ind i en plastikpose, så den er beskyttet mod snavs og fugt. Den skal læses og overholdes nøje af alle betjeningspersoner, før arbejdet startes.

Arbejde på apparatet på kun udføres af personer, der er instrueret i brug af apparatet, og som er informeret om de dermed forbundne farer. Den lovmæssige mindstealder skal overholdes.

Ud over sikkerhedsanvisningerne i denne brugsanvisning og de særlige forskrifter, der gælder i brugslandet, skal de almindeligt anerkendte, tekniske regler, der gælder i forbindelse med brug af træbearbejdningsmaskiner, overholdes.

Vi fraskriver os ethvert ansvar for uheld eller skader, der måtte opstå som følge af manglende overholdelse af denne vejledning og sikkerhedsinstrukserne.

3. Beskrivelse af apparatet (fig. 1-11)

1. Grundplade
2. Hurtigspænder
3. Søjle
4. Tandstang højdejustering
5. Spændegreb højdejustering
6. Spændegreb dybdeanslag
7. Dybdeanslag
8. Håndtag
9. Viser dybdeanslag
10. Sluk-kontakt
11. Tænd-kontakt
12. Hastighedsregulator
13. Afstandsholder
14. Borepatron
15. Vingeskrue til parallelanslag
16. Parallelanslag
17. Hurtigspændeskruer
18. Tænd/Sluk-knap laser
19. Stjerneskrue (viser)
20. Skala
21. Unbrakonøgle, 4 mm
22. Borepatronnøgle
23. Markering

4. Leveringsomfang

- 1 boremaskine
- 1 hurtigspænder (2)
- 1 grundplade (1)
- 1 parallelanslag (16)
- 1 afstandsholder (13)
- 1 håndtag (8)
- 1 dybdeanslag (7)
- 1 spændegreb (6)
- 1 unbrakonøgle 4 mm (21)
- 1 borepatronnøgle (22)
- 1 brugsanvisning
- 1 monteringsmateriale

5. Tilsigtet brug

Bænk boremaskinen er beregnet til boring i metal, træ, kunststof (plast) og fliser.

Borepatronens spændeområde: 1,5 - 13 mm.

Maskinen er beregnet til gør-det-selv-arbejde. Den er ikke designet til kontinuerlig erhvervmæssig brug. Maskinen er ikke beregnet til at blive betjent af personer under 16 år. Unge over 16 år må kun benytte maskinen under opsyn. Producenten er ikke ansvarlig for skader, der er opstået ved ikke-formålsbestemt anvendelse eller forkert betjening.

Vær opmærksom på, at vores maskiner ikke er konstrueret til erhvervmæssig, håndværksmæssig eller industriel brug. Vi fraskriver os ansvaret, hvis maskinen bruges i erhvervs-, håndværks- eller industrivirksomheder samt til lignende arbejde.

6. Sikkerhedsforskrifter

Generelle sikkerhedsforskrifter for elværktøj

⚠ ADVARSEL! Læs alle sikkerhedsforskrifter, anvisninger, illustrationer og tekniske data, der følger med dette elværktøj. Følges de følgende instruktioner ikke nøje som beskrevet, kan dette føre til elektrisk stød, brand og/eller alvorlige personskader.

Opbevar alle sikkerhedsforskrifter og anvisninger til fremtidig brug.

Udtrykket "elværktøj", der er anvendt i sikkerhedsforskrifterne, henviser til lysnet-drevne elværktøjer (med lysnetkabel) eller til batteridrevne elværktøjer (uden lysnetkabel).

Arbejdspladssikkerhed

- a) **Hold arbejdsområdet rent og godt oplyst.**
Uorden eller uoplyste arbejdsområder kan føre til ulykker.
- b) **Arbejd ikke med elværktøjet i eksplosionsfarlige omgivelser, hvor der findes brændbare væsker, gasser eller støv.**
Elværktøj genererer gnister, der kan antænde støv eller dampe.
- c) **Hold børn og andre personer på afstand, når der arbejdes med elværktøjet.**
Hvis du bliver distraheret, risikerer du at miste kontrollen over elværktøjet.

Elektrisk sikkerhed

- a) **Elværktøjets tilslutningsstik skal passe til stikkontakten.**
Stikket må ikke ændres på nogen måde. Undlad brug af adapterstik sammen med elektrisk jordet elværktøj. Uændrede stik og passende stikkontakter mindsker risikoen for at få stød.
- b) **Undgå kropskontakt med jordede overflader som rør, varmeapparater, komfurer og køleskabe. Der er øget risiko for elektrisk stød, hvis din krop er jordforbundet.**
- c) **Hold elværktøj på afstand af regn og fugt.**
Indtrængning af vand i et elværktøj øger risikoen for at få stød.
- d) **Brug ikke tilslutningsledningen til at bære eller ophænge elværktøjet eller til at trække stikket ud af stikkontakten med.**
Hold kablet på afstand af varme, olie, skarpe kanter eller bevægelige dele af apparatet. Beskadigede eller sammenflettede tilslutningsledninger øger risikoen for at få stød.
- e) **Når du arbejder udendørs med et elværktøj, må du kun bruge forlængerkabler, som også er egnet til udendørs brug.**
Brug af forlængerkabel, der er egnet til udendørs brug, reducerer risikoen for at få elektrisk stød.
- f) **Hvis brug af elværktøjet i fugtigt miljø er uundgåelig, skal der anvendes fejlstrømsrelæ.**
Brug af et fejlstrømsrelæ mindsker risikoen for at få elektrisk stød.

Personers sikkerhed

- a) **Vær opmærksom, vær agtpågivende på, hvad du gør, og arbejd altid fornuftigt med et elværktøj.**
Brug ikke et elværktøj, hvis du er træt eller påvirket af narkotika, alkohol eller medikamenter. Et øjeblik uagtsomhed, mens elværktøjet bruges, kan føre til alvorlige personskader.
- b) **Brug personlige værnemidler og altid beskyttelsesbriller.**
Brug af personlige værnemidler såsom støvmaske, skridsikre sikkerhedssko, beskyttelseshjelm eller høreværn, afhængigt af hvad elværktøjet bruges til, mindsker risikoen for personskader.
- c) **Undgå utilsigtet ibrugtagning. Sørg for, at elværktøjet er slukket, før du tilslutter, opsamler eller bærer det hen til strømforsyningen og/eller batteriet.** Hvis du holder fingeren på kontakten, mens du bærer elværktøjet eller tilslutter det til strømforsyningen, kan dette forårsage ulykker.
- d) **Fjern indstillingsværktøj eller skruenøgler, inden du tilslutter elværktøjet.**
Værktøj eller nøgler, som måtte befinde sig i en roterende del af elværktøjet, kan medføre personskader.
- e) **Undgå unormale kropsholdninger. Sørg for at stå sikkert, og hold altid ligevægten.** På denne måde kan du bedre kontrollere elværktøjet, hvis der opstår uventede situationer.
- f) **Brug egnet tøj. Brug ikke løstsiddende tøj eller smykker. Hold hår, tøj og handsker på afstand af bevægelige dele.** Løstsiddende tøj, smykker eller langt hår kan blive viklet ind i bevægelige dele.
- g) **Hvis der kan monteres støvudsugnings- og opsamlingsindretninger, skal man sikre sig, at disse er tilsluttet og bruges rigtigt.**
Brug af støvudsugning kan mindske faren pga. støv.
- h) **Forlad dig ikke på falsk sikkerhed, og overskrid ikke sikkerhedsreglerne for elværktøjer, selvom du evt. føler dig fortrolig med elværktøjet efter længere tids brug.** Skødesløse handlinger kan føre til alvorlige personskader på en brøkdel af et sekund.

Anvendelse og behandling af elværktøjet

- a) **Undlad at overbelaste elværktøjet.**
Til arbejdet skal man benytte det hertil beregnede elværktøj. Du arbejder bedre og mere sikkert med det passende elværktøj i det angivne effektområde.
- b) **Brug aldrig et elværktøj med defekt kontakt. Et elværktøj, der ikke kan tændes eller slukkes, er farligt og skal repareres.**
- c) **Træk stikket ud af stikkontakten, og/eller fjern et udtageligt batteri, før du foretager justeringer på enheden, skifter værktøjsdele eller lægger elværktøjet fra dig.**
Denne forholdsregel forhindrer utilsigtet start af elværktøjet.
- d) **Opbevar ubenyttet elværktøj utilgængeligt for børn.**
Lad ikke personer bruge elværktøjet, som ikke er fortrolige med det, eller som ikke har læst denne vejledning. Elværktøjer er farlige i hænderne på uerfarne personer.

e) Elværktøjer og indsatsværktøjer skal plejes omhyggeligt.

Kontrollér med jævne mellemrum, om bevægelige dele fungerer, som de skal, og at de ikke sidder fast, om dele er brækket eller beskadiget på en sådan måde, at elværktøjets funktion er forringet. Få beskadigede dele repareret eller udskiftet, før elværktøjet tages i brug. Mange ulykker skyldes dårligt vedligeholdt elværktøj.

f) Hold skæreværktøj skarpt og rent. Omhyggeligt plejet skæreværktøj med skarpe skærekanter sætter sig mindre hyppigt fast og er lettere at føre.

g) Brug elværktøj, tilbehør, indsatsværktøjer osv. i henhold til disse instruktioner.

Tag hensyn til arbejdsvilkårene og den aktivitet, der skal udføres. Brug af elværktøj til andre formål end de tilsigtede kan medføre farlige situationer.

h) Hold greb og gribeblader tørre, rene og fri for olie og fedt. Glatte greb og gribeblader umuliggør sikker betjening af og kontrol med elværktøjet i uforudsete situationer.

Service

a) Elværktøjet må kun repareres af uddannet fagpersonale, og der må kun bruges originale reservedele. Dette sikrer, at elværktøjet også fremover er sikker at bruge.

Sikkerhedsforskrifter for boremaskiner

a) Boremaskinen skal sikres. En boremaskine, som ikke er fastgjort korrekt, kan bevæge sig eller vippe, hvilket kan medføre personskader.

b) Emnet skal være fastspændt eller fastgjort på emnesupporten. Undlad at bore i emner, som er for små til at blive sikkert fastspændt. Fastholdning af emnet med hånden kan føre til personskader.

c) Undlad brug af handsker. Handsker kan hænge fast i roterende dele eller borespåner og dermed forårsage personskader.

d) Hold hænderne på afstand af boreområdet, mens elværktøjet kører. Kontakt med roterende dele eller borespåner kan forårsage personskader.

e) Boreværktøjet skal rotere, inden det føres ind mod emnet. Ellers kan boreværktøjet sætte sig fast i emnet og forårsage uventede bevægelser af emnet og personskader.

f) Hvis boreværktøjet sætter sig fast (blokerer), skal man undlade at presse det længere ned, men i stedet slukke for elværktøjet. Undersøg og afhjælp årsagen til blokeringen. Blokering kan medføre uventet bevægelse af emnet og personskader.

g) Undgå lange borespåner ved at afbryde det nedadgående tryk med jævne mellemrum. Skarpe metalpåner kan blive indfanget og forårsage personskader.

h) Fjern aldrig borespåner fra boreområdet, mens elværktøjet kører. Man fjerner spåner ved at flytte boreværktøjet væk fra emnet, slukke for værktøjet og vente på, at elværktøjet stopper. Brug redskaber som f.eks. børste eller krog til at fjerne spånerne. Kontakt med roterende dele eller borespåner kan forårsage personskader.

i) Det tilladte omdrejningstal for indsatsværktøjer med nominelt omdrejningstal skal være mindst lige så høj som det maksimale omdrejningstal, der er angivet på elværktøjet. Tilbehør, der roterer hurtigere end tilladt, kan knække og blive slynget bort.



Pas på: Laserstråling
Kig ikke ind i strålen
Laserklasse 2



Beskyt dig og dine omgivelser mod fare for uheld ved at træffe egnede sikkerhedsforanstaltninger!

- Kig ikke direkte ind i laserstrålen med ubeskyttede øjne.
- Kig aldrig direkte ind i strålen.
- Ret aldrig laserstrålen mod reflekterende overflader og personer eller dyr. Også en laserstråle med ringe ydelse kan føre til øjenskader.
- Vær forsigtig - udføres der procedurer, der afviger fra dem, der er angivet her, kan dette føre til en farlig strålingseksponering.
- Åbn aldrig lasermodul. Dette kan føre til uventet stråleeksponering.
- Laseren må ikke erstattes med en laser af en anden type.
- Laseren må kun repareres af laserproducenten eller af en autoriseret repræsentant.
- Mærkning og placering af advarselmærkater, se fig. 8 og 9

⚠ ADVARSEL! Dette elværktøj fremstiller et elektromagnetisk felt under driften. Dette felt kan under bestemte omstændigheder forringe aktive eller passive medicinske implantater. For at forringe faren for alvorlige kvæstelser eller kvæstelser med døden til følge anbefales det personer med medicinske implantater at gå til læge og kontakte producenten af det medicinske implantat, før elværktøjet betjenes.

Restrisici

Selv om man betjener elværktøjet forskriftsmæssigt, vil der stadigvæk være restrisici at tage højde for. Følgende farer kan opstå i sammenhæng med elværktøjets design og udførelse:

- Lungeskader, hvis der ikke bruges egnet støvmaske.
- Høreskader, hvis der ikke bruges egnet høreværn.
- Helbredsskader som følge af hånd-arm-vibrationer, hvis maskinen bruges i længere tid eller ikke styres og vedligeholdes korrekt.

7. Tekniske data

Vekselstrømsmotor	220 - 240 V ~ 50 Hz
Nominal effekt S1	710 Watt
Driftsfunktion	S2 5min* 900W
Omdrejningstal i tomgang n_0	500 - 2600 min ⁻¹
Borepatronens spændeområde	1,5 - 13 mm
Boreslaglængde maks.	70 mm
Mål grundplade	320 x 305 mm
Afstand mellem borepatron og bundplade	280 mm
Vægt ca.	8,3 kg
Beskyttelsesklasse	II / <input type="checkbox"/>
Laserklasse	2
Bølgelængde laser	650 nm
Effekt laser	< 1 mW

* Ved kontinuerlig driftstid på 5 minutter følger en hvileperiode, indtil maskinens temperatur afviger mindre end 2 K (2°C) fra stuetemperaturen.

Emnet skal som minimum have en højde på 3 mm og en bredde på 45 mm.

Sørg for, at emnet altid sikres med spændeandordningen.

Udhængende emner skal evt. afstøttes med ekstra støtter i siderne.

Støj

Støjværdierne er bestemt i overensstemmelse med EN 62841.

Lydtryksniveau L_{pA}	89,6 dB(A)
Usikkerhed K_{pA}	3 dB
Lydeffektniveau L_{WA}	102,6 dB(A)
Usikkerhed K_{WA}	3 dB

Brug høreværn.

Støjpåvirkning kan føre til høretab.

De angivne støjemissionsværdier er blevet målt iht. en standardiseret testproces og kan bruges til at sammenligne et elværktøj med et andet.

De angivne støjemissionsværdier kan også bruges til at gennemføre en indledende vurdering af belastningen.

Advarsel:

- Støjemissionsværdierne kan afvige fra den angivne værdi, når elværktøjet rent faktisk bruges, afhængigt af hvordan elværktøjet bruges, og af, hvilken type emne der bearbejdes.
- Forsøg at holde belastningen så lav som mulig. Eksempelvis ved at begrænse arbejdstiden. I denne forbindelse skal der tages højde for alle dele af driftscyklussen (f.eks. tider, hvor elværktøjet er slukket, og tider, hvor det godt nok er tændt, men hvor det kører uden belastning).

8. Før ibrugtagning

- Åbn emballagen, og tag forsigtigt maskinen ud.
- Fjern emballagematerialet samt emballage- og transportsikringer (hvis sådanne findes).
- Kontrollér, om leveringsomfanget er fuldstændigt.
- Kontrollér maskinen og tilbehørsdelene for transportskader.

- Opbevar så vidt muligt emballagen frem til udløbet af garantiperioden.

PAS PÅ

Apparatet og emballeringsmaterialet er ikke legetøj! Børn må ikke lege med plastposer, folie og smådele! Fare for slugning og kvælning!

Kontrollér inden tilslutningen, at dataene på typeskiltet stemmer overens med netdataene.

- Kontrollér maskinen for transportskader. Meld straks evt. skader til den transportvirksomhed, som elværktøjet blev leveret med.
- Lange ledninger (forlænger kabler) skal undgås.
- Brug ikke elværktøjet i fugtige eller våde rum.
- Elværktøjet må kun bruges i egnede rum (god ventilation).

9. Montering

⚠ Pas på!

Sørg under alle omstændigheder for, at maskinen er monteret fuldstændigt, før den tages i brug!

⚠ Før maskinen tilsluttes til strømnettet, skal det kontrolleres, at dataene på typeskiltet stemmer overens med tilslutningens netdata.

⚠ Advarsel! Træk altid netstikket ud af stikkontakten, inden der foretages indstillinger på maskinen.

9.1 Montering af grundplade og søjle (fig. 2)

1. Skub hurtigspænderen (2) ind over søjlen (3).
2. Sæt søjlen (3) ind i grundpladen (1) på en sådan måde, at styretappen i den nederste ende af søjlen (3) indføres i noten i grundpladens (1) holder.
3. Spænd de formonterede fastgørelsesskruer (A) fast på bagsiden af grundpladen (1) med unbrakonøglen (21).

9.2 Montering af parallelanslag (fig. 4)

1. Skub parallelanslaget (16) ind i noten i grundpladen (1).
2. Sørg for, at notstenene flugter i noterne under vingeskruerne for parallelanslaget (15).
3. Anbring parallelanslaget (16) i den ønskede position, og spænd vingeskruerne for parallelanslaget (15) fast.

9.3 Montering af håndtag (fig. 2)

1. Fjern den formonterede fastgørelsesskrue (B).
2. Kontrollér, at afstandsholdren (13) sidder ordentligt fast.
3. Skub håndtaget (8) på holderen (G), som vist i Fig. 2.
4. Læg møtrikkerne (C) ind i udsparringen i håndtaget (8), og spænd fastgørelsesskruen (B) til.

9.4 Montering af dybdeanslag (fig. 2)

1. Indsæt dybdeanslaget (7) i udsparringen i huset.
2. Monter spændegrebet for dybdeanslaget (6) som vist på fig. 2.

9.5 Montering på en arbejdsflade (fig. 4)

Fastgør maskinen på arbejdsfladen ved at skruer grundpladen (1) fast på arbejdsfladen.

10. Betjening

10.1 Højdejustering (fig. 2, 3)

Afhængigt af emnehøjden eller -længden kan man indstille maskinoverdelens position.

1. Hold fast i håndtaget (8).
2. Åbn spændegrebet for højdejustering (5).
3. Bestem maskinoverdelens position med håndtaget (8).
4. Fastlås maskinoverdelens position med spændegrebet for højdejustering (5).

Pas på! I maskinoverdelens nederste position skal man sikre sig, at denne ikke køres ud over markeringen (23).

Fastlås maskinoverdelen i denne position med spændegrebet for højdejustering (5). Ellers risikerer man, at der sker skader på føringen.

10.2 Indstilling af boreddybde (fig. 1, 11)

Med dybdeanslaget (7) kan man definere boreddybden.

1. Løsn spændegrebet på dybdeanslaget (6).
2. Udfør en prøveboring. Så snart den ønskede dybde er nået, spænder man atter spændegrebet for dybdeanslag (6) fast.
3. Dybdeanslaget (7) er nu låst i den ønskede boreddybde.
4. Kontrollér derefter dybdeanslagets position. Hvis det viste mål ikke stemmer overens med den faktiske boreddybde, kan man justere viseren (9).
 - Løsn stjerneskrue (19) for viseren (9).
 - Stil viseren (9) i den korrekte position i forhold til skalanen (20).
 - Spænd stjerneskrue (19) fast igen.

10.3 Fastspænding/løsning af værktøj (fig. 5, 6)

Forsigtig! Husk at fjerne borepatronnøglen. Fare for personskade, hvis borepatronnøgle slynges bort.

10.3.1 Fastspænding

1. Indsæt borepatronnøglen (22).
2. Drej borepatronnøglen (22) imod urets retning for at åbne spændemuffen (D).
3. Indsæt indsatsværktøjet (E).
4. Hold indsatsværktøjet (E) fast.
5. Drej borepatronnøglen (22) imod urets retning for at lukke spændemuffen (D) og sikre indsatsværktøjet.
6. Kontrollér, at indsatsværktøjet (E) sidder ordentligt fast.
7. Tag borepatronnøglen (22) af igen.

10.3.2 Løsning

1. Indsæt borepatronnøglen (22).
2. Drej borepatronnøglen (22) imod urets retning, til indsatsværktøjet (E) kan tages ud.
3. Træk borepatronnøglen (22) af igen.

10.4 Indjustering af emne (fig. 1)

1. Aktiver krydslinjelaseren via Tænd/Sluk-knappen (18).
2. Skæringspunktet mellem de to laserlinjer angiver præcist borets midtpunkt.
3. Indstil markeringen på emnet på laserkrydset.

10.5 Fastspænding af emne (fig. 7)

Det emne, der skal bearbejdes, skal kunne fastspændes sikkert. Undlad at bearbejde emner, som ikke kan fastspændes. Udsparingen i hurtigspænderen skal være indjusteret midt i boringen. Ellers kan boret eller borepatronen blive blokeret af hurtigspænderen.

1. Positioner emnet ved hjælp af krydslinjelaseren.
2. Løsn hurtigspændeskruen (17).
3. Lad hurtigspænderen (2) ligge på emnet.
4. Drej hurtigspændeskruen (17) i urets retning for at spænde emnet.
5. Man løsner hurtigspænderen (2) ved at dreje hurtigspændeskruen (17) imod urets retning.

10.6 Fastspænding af større emner (fig. 7)

Til større emner skal man benytte parallelanslaget (16):

1. Løsn vingeskrue for parallelanslaget (15), og indsæt parallelanslaget (16) i noterne i grundpladen.
2. Fastspænd vingeskrue for parallelanslaget (15).
3. Indjuster emnet i forhold til parallelanslaget (16), og spænd det fast med hurtigspænderen (2).

Advarsel! For emner, der er bredere eller længere end bordoverfladen, skal man sørge for tilstrækkelig afstøtning f.eks. i form af understøtninger eller savbukke.

Emner, som er længere eller bredere end bænkboremaskinens grundplade, kan vippe uden fast understøttelse. Hvis emnet vipper, kan det beskadige borepatronbeskyttelsen eller skæreværktøjet.

10.7 Indstilling af omdrejningstal (fig. 1)

Det rigtige omdrejningstal afhænger af det emne, der skal bearbejdes, og indstilles i forhold til værktøjets diameter.

10.7.1 Elektronisk hastighedsregulering

Ved hjælp af den elektroniske hastighedsregulering kan man indstille hastigheden trinløst:

Indstil hastigheden vha. hastighedsregulatoren (12).

Det aktuelle omdrejningstal (hastighed) kan aflæses ved hjælp af markeringen på hastighedsregulatoren (12).



10.8 Tænding/slukning (fig. 1)

Tænding: Aktiver strømslutteren (11) for at tænde maskinen.

Slukning: Aktiver afbryderen (10) for at slukke maskinen.

10.9 Boreproces (fig. 1, 7)

1. Indjustér emnet, og spænd det.
2. Start maskinen, og indstil hastigheden.
3. Til boring bevæger man håndtaget (8) med ensartet fremføring, til man har opnået den ønskede boreddybde. Ved boring af metaller afbryder man fremføringen et kort øjeblik for at bryde spånen.

- Når man har nået borebygden, drejer man håndtaget (8) tilbage i udgangsposition.
- Sluk for maskinen.

11. Transport

⚠ Advarsel! Træk lysnetstikket ud inden transport!

- Hold elværktøjet på grundpladen (1), når det skal transporteres.

12. Rengøring og vedligeholdelse

⚠ Advarsel! Træk lysnetstikket ud, før der foretages indstillings-, vedligeholdelses- eller reparationsarbejde!

12.1 Generelle vedligeholdelsesforanstaltninger

⚠ Arbejde, der ikke er beskrevet i denne driftsvejledning, må kun gennemføres på et autoriseret værksted. Der må kun benyttes originale dele. Lad maskinen køle helt af, inden du påbegynder vedligeholdelses- og rengøringsarbejde.

⚠ Fare for forbrænding!

Inden hver brug skal man kontrollere maskinen for synlige fejl og mangler såsom løse, slidte eller beskadigede dele, korrekt montering af skrue eller andre dele. Udskift beskadigede dele.

12.2 Rengøring

Undlad brug af rengørings- eller opløsningsmidler. Kemiske stoffer kan angribe maskinens plastdele. Rengør aldrig maskinen under rindende vand.

- Rengør maskinen grundigt efter hver brug.
- Rengør udluftningsåbningerne og maskinens overflader med en blød børste, en pensel eller en klud.
- Fjern evt. spåner, støv og smuds med en støvsuger.
- Husk at smøre bevægelige dele med jævne mellemrum.

12.3 Vedligeholdelse

I maskinen er der ingen dele, der skal vedligeholdes.

12.4 Udskiftning af borepatronen (fig. 1, 5, 10)

⚠ Advarsel! Træk netstikket ud!

Nødvendigt værktøj (medfølger ikke):
1 x gaffelnøgle 27 mm

- Fjern indsatsværktøjet, som beskrevet under 10.3.2.
- Spænd spændemuffen (D) fast ved at dreje borepatronnøglen (22) i urets retning.
- Hold borepatronen (14) fast med den ene hånd, mens du med gaffelnøglen (27 mm) bevæger møtrikken (F) ned i urets retning.
- Så snart borepatronen (14) er løsnet fra akselsædet, kan den tages af.
- Man fastspænder den nye borepatron i omvendt rækkefølge.

Borepatronen må kun udskiftes med borepatroner, som er godkendt af producenten.

Bestillingsnummer: 390 6814 001

12.5 Serviceinformationer

Vær opmærksom på, at følgende dele på dette produkt slides som følge af brug eller naturligt slid, og at der er brug for følgende dele som forbrugsmaterialer.

Sliddele*: Kontaktkul, bor

* følger ikke nødvendigvis med leverancen!

13. Opbevaring

Apparatet og dets tilbehør skal opbevares mørkt, tørt og frost-sikkert og utilgængeligt for børn. Den optimale opbevaringstemperatur er mellem 5 og 30 °C.

Opbevar elværktøjet i den originale emballage.

Tildæk elværktøjet for at beskytte det mod støv eller fugt.

Opbevar brugsanvisningen sammen med elværktøjet.

14. El-tilslutning

Den installerede elmotor er tilsluttet, så den er driftsklar. Tilslutningen opfylder de relevante VDE- og DIN-bestemmelser. Nettilslutningen hos kunden samt den anvendte forlængerledning skal opfylde disse forskrifter.

14.1 Vigtig information

Hvis motoren overbelastes, slår den fra af sig selv. Efter en afkølingsfase (varierer tidsmæssigt), kan motoren tændes igen.

14.2 Beskadiget strømtilslutningsledning

Der opstår ofte isoleringsskader på elektriske tilslutningsledninger.

Årsagerne hertil kan være:

- Tryksteder, når tilslutningsledninger trækkes gennem vinduer eller døråbninger.
- Knæksteder, når tilslutningsledning fastgøres eller trækkes forkert.
- Skæresteder, når tilslutningsledningen køres over.
- Isolationsskader, når stikket trækkes ud af stikkontakten på væggen.

- Revner pga. ældning af isoleringen.

Sådanne defekte elektriske tilslutningsledninger må ikke anvendes og er livsfarlige pga. isoleringsskaderne.

Elektriske tilslutningsledninger skal kontrolleres for skader med jævne mellemrum. Sørg for, at tilslutningsledningen ikke hænger i lysnettet, når den kontrolleres.

Elektriske tilslutningsledninger skal opfylde de relevante VDE- og DIN-bestemmelser. Der må kun anvendes tilslutningsledninger med mærkningen "H05VV-F".

Påtryk af typebetegnelsen på tilslutningskablet er et krav.

Hvis det bliver nødvendigt at udskifte tilslutningsledningen, skal dette udføres af producenten eller dennes repræsentant for at undgå sikkerhedsrisici.

14.3 AC motor

Netspændingen skal være 220 - 240 V~ 50Hz.

- Forlængerledninger op til en længde på 25 m skal have et tværsnit på 1,5 kvadratmillimeter.

Tilslutning og reparation af elektrisk udstyr må kun forestås af autoriserede elektrikere.

Ved forespørgsler bedes følgende data opgives:

- Motorens strømtype
- Dataene på motorens typeskilt

15. Bortskaffelse og genbrug

Enheden er emballeret for at forhindre transportskader. Denne emballage er råmateriale og kan dermed genanvendes eller kan returneres til råmateriale-kredsløbet.

Enheden og dens tilbehør er fremstillet af forskellige materialer som f.eks. metal og plast. Defekte komponenter skal bortskaffes som specialaffald. Spørg i specialbutikken eller i hos kommunen!



Emballagen består af miljøvenlige materialer, der kan bortskaffes på lokale genbrugsstationer.

Informationer om muligheder for bortskaffelse af gamle apparater fås ved henvendelse til kommunen.

16. Afhjælpning af fejl

Fejl	Mulig årsag	Afhjælpning
Maskine starter ikke	Motor, kabel eller stik defekt, hussikring sprunget	Stikkontakt, nettilslutningsledning, ledning, netstik kontrolleres; evt. reparation skal udføres af elinstallatør. Kontrol af hussikring
	Strømslutter/afbryder (11/10) defekt	Reparation forestås af kundeservice
	Motor defekt	Reparation forestås af kundeservice
Kraftige vibrationer	Grundplade (1) ikke fikseret	Maskine sikres på arbejdsbænk el.lign .
	Værktøj ikke fastspændt i centreret position	Kontrollér værktøj i borepatron (14)
Motor bliver let overophedet	Overbelastning af motor, utilstrækkelig køling af motor.	Overbelastning af motor under boring skal forhindres. Fjern støv fra motoren, så der sikres optimal køling af motoren.
Motor støjer for meget	Viklinger beskadiget, motor defekt.	Kontrol forestås af kundeservice

Gamle apparater må ikke smides ud sammen med det almindelige husholdningsaffald!



Dette symbol gør opmærksom på, at dette produkt ikke må smides ud sammen med det almindelige husholdningsaffald iht. WEEE-direktiv (2012/19/EU) og nationale love. Dette produkt skal afleveres til udvalgte samlesteder. Dette kan ske f.eks. ved at returnere det i forbindelse med køb af et lignende produkt eller ved at aflevere det på en autoriseret genbrugsstation, hvor gamle elektriske og elektroniske apparater genbruges. Forkert håndtering af gamle apparater kan have negative følger for miljøet og menneskers sundhed, fordi disse evt. er fremstillet af farlige stoffer, der ofte findes i gamle elektriske og elektroniske apparater. Den korrekte bortskaffelse af produktet bidrager desuden til en effektiv udnyttelse af naturlige ressourcer. Informationer om samlesteder for gamle apparater fås ved henvendelse til kommunen, de offentlige organer til bortskaffelse af affald, et autoriseret sted til bortskaffelse af gamle elektriske og elektroniske apparater eller renovationen.

17. Garantibevis

Kære kunde,

Alle vores produkter gennemgår strenge kvalitetskontrol for at sikre, at de når dig i perfekt stand. I det usandsynlige tilfælde, at enheden udvikler en fejl, bedes du kontakte vores serviceafdeling på den adresse, der vises på dette garantibevis. Selvfølgelig, hvis du foretrækker at ringe til os så er vi også glade for at tilbyde vores bistand under servicenummer trykt nedenfor. Bemærk følgende betingelser, som garantikrav kan gøres:

- Disse garanti vilkår omfatte yderligere garanti rettigheder og påvirker ikke dine lovbestemte rettigheder for garanti. Vi vil ikke debitere dig for denne garanti.
- Vores garanti dækker kun problemer forårsaget af materiale- eller produktionsfejl, og det er begrænset til afhjælpning af disse mangler eller udskiftning af enheden. Bemærk, at vores enheder ikke er designet til brug i kommercielle, handel eller industrielle applikationer. Derfor er garantien ugyldig, hvis udstyret bruges i kommerciel, handel eller industrielle applikationer eller for andre tilsvarende aktiviteter. Følgende er også udelukket fra vores garanti: kompensation for transportskader, skader forårsaget af manglende overholdelse af installations- / monteringsvejledning eller skader forårsaget af uprofessionel installation, manglende overholdelse brugsanvisningen (f.eks tilslutning til den forkerte netspænding eller strøm type), misbrug eller uhensigtsmæssig brug (såsom overbelastning af apparatet eller brug af ikke-godkendte værktøj eller tilbehør), manglende overholdelse af vedligeholdelses- og sikkerhedsforskrifter, indtrængen af fremmedlegemer i apparatet (f.eks sand, sten eller støv) , virkninger af vold eller ydre påvirkninger (f.eks skader forårsaget af enheden bliver droppet) og normal slitage som følge af korrekt funktion af apparatet.

Garantien erklæres ugyldig, hvis der gøres forsøg på at manipulere med enheden.

- Garantien er gyldig i en periode på 3 år fra købsdatoen af enheden. Garantikrav skal indsendes inden udløbet af perioden garanti senest to uger efter defekten blive bemærket. Ingen garantikrav vil blive accepteret efter udløbet af garantiperioden. Den oprindelige garantiperiode fortsat anvendelse til enheden, selvom reparationer udføres eller dele udskiftes. I sådanne tilfælde, det udførte arbejde eller dele monteret vil ikke resultere i en forlængelse af garantiperioden, og ingen ny garanti bliver aktiv for det udførte eller dele monteret arbejde. Dette gælder også, når der anvendes en tjeneste på stedet.
- For at du kan gøre dit garantikrav gældende, bedes du kontakte nedenstående serviceadresse. Hvis reklamationen ligger inden for garantiperioden, vil vi fremsende dig en returmærkat, med hvilken du gratis kan returnere dit defekte apparat til os. Det ville hjælpe os, hvis du kunne beskrive karakteren af problemet så detaljeret som muligt. Hvis fejlen er dækket af vores garanti så din enhed vil enten blive repareret med det samme og returneret til dig, eller vi vil sende dig en ny enhed.

Selvfølgelig er vi også glade tilbyde en afgiftsudløsende reparationservice for eventuelle mangler, der ikke er omfattet af anvendelsesområdet for denne garanti eller til enheder, som ikke længere er dækket. At drage fordel af denne service, skal du sende enheden til vores service-adresse.

Tjeneste-Hotline (DK):

+800 4003 4003
(0,00 €/Min.)

Tjeneste-mail (DK):

service.DK@schepach.com

Tjeneste Adresse (DK):

Sotek
Charlottevej 30 E
DK - 4270 Hong



På www.lidl-service.com kan du downloade disse og mange flere manualer, produktvideoer og installationssoftware.

Med QR-koden kan du få direkte adgang til Lidl-service-siden (www.lidl-service.com) og åbne din betjeningsvejledning ved at indtaste artikelnummeret (IAN) 361816_2010.

CE - Konformitätserklärung
Originalkonformitätserklärung
CE - Declaration of Conformity
Translation of the original EC declaration of conformity
CE - Déclaration de conformité
Traduction de la déclaration de conformité CE originale



scheppach Fabrikation von Holzbearbeitungsmaschinen GmbH, Günzburger Str. 69, D-89335 Ichenhausen

DE	erklärt folgende Konformität gemäß EU-Richtlinie und Normen für den Artikel	PL	deklaruje, że produkt jest zgodny z następującymi dyrektywami UE i normami
GB	hereby declares the following conformity under the EU Directive and standards for the following article	LT	pareiškia, taip atitiktis pagal ES direktyvos ir standartai šį straipsnį
FR	déclare la conformité suivante selon la directive UE et les normes pour l'article	HU	az EU-irányelv és a vonatkozó szabványok szerinti következő megfeleloségi nyilatkozatot teszi a termékre
IT	dichiara la seguente conformità secondo le direttive e le normative UE per l'articolo	SI	izjavlja sledeco skladnost z EU-direktivo in normami za artikel
ES	declara la conformidad siguiente según la directiva la UE y las normas para el artículo	CZ	prohlašuje následující shodu podle smernice EU a norem pro výrobek
PT	declara o seguinte conformidade com a Directiva da UE e as normas para o seguinte artigo	SK	prehlasuje nasledujúcu zhodu podľa smernice EU a noriem pre výrobok
DK	erklærer hermed, at følgende produkt er i overensstemmelse med nedenstående EUdirektiver og standarder	HR	ovime izjavljuje da postoji skladnost prema EU-smjernica i normama za sljedece artikle
NL	verklaart hierbij dat het volgende artikel voldoet aan de daarop betrekking hebbende EG-richtlijnen en normen	RS	potvrđuje sledeću usklađenost prema smernicama EZ i normama za artikal
FI	vakuuttaa täten, että seuraava tuote täyttää ala esitettyt EU-direktiivit ja standardit	RO	declară următoarea conformitate corespunzător directivelor și normelor UE pentru articolul
SE	försäkrar härmed följande överensstämmelse enligt EU-direktiv och standarder för följande artikeln	BG	декларира съответното съответствие съгласно Дирек-тива на ЕС и норми за артикул

Marke / Brand / Marque: **Parkside**
 Art.-Bezeichnung: **TISCHBOHRMASCHINE PTBMOD 710 B2**
 Article name: **BENCH PILLAR DRILL PTBMOD 710 B2**
 Nom d'article: **PERCEUSE À COLONNE PTBMOD 710 B2**
 Art.-Nr. / Art. no. / Numéro d'article: **3906816975 - 3906816981; 39068169915 - 39068169916**
 Ident.-Nr. / Ident. no. / N° d'ident.: **01001 - 52766**

2014/29/EU	2004/22/EC	89/686/EC_96/58/EC	2000/14/EC_2005/88/EC
2014/35/EU	2014/68/EU	90/396/EC	Annex V
X 2014/30/EU	X 2011/65/EU*		Annex VI Noise: measured $L_{WA} = xx$ dB(A); guaranteed $L_{WA} = xx$ dB(A) P = xx KW; L/Ø = cm Notified Body: Notified Body No.:
X 2006/42/EC			2010/26/EC Emission. No:
Annex IV Notified Body: Notified Body No.: Certificate No.:			

Standard references:
EN 62841-1:2015; EN 62841-3-13:2017; EN 55014-1:2017/A11:2020; EN 55014-2:2015; EN 60825-1:2014; EN IEC 61000-3-2:2019; EN 61000-3-3:2013/A1:2019

Die alleinige Verantwortung für die Ausstellung dieser Konformitätserklärung trägt der Hersteller.
 This declaration of conformity is issued under the sole responsibility of the manufacturer.
 Le fabricant assume seul la responsabilité d'établir la présente déclaration de conformité.

- * Der oben beschriebene Gegenstand der Erklärung erfüllt die Vorschriften der Richtlinie 2011/65/EU des Europäischen Parlaments und des Rates vom 8. Juni 2011 zur Beschränkung der Verwendung bestimmter gefährlicher Stoffe in Elektro- und Elektronikgeräten.
- * The object of the declaration described above fulfils the regulations of the directive 2011/65/EU of the European Parliament and Council from 8th June 2011, on the restriction of the use of certain hazardous substances in electrical and electronic equipment.
- * L'appareil décrit ci-dessus dans la déclaration est conforme aux réglementations de la directive 2011/65/EU du Parlement Européen et du Conseil du 8 juin 2011 visant à limiter l'utilisation de substances dangereuses dans la fabrication des appareils électriques et électroniques.

Ichenhausen, den 08.01.2020

Unterschrift / Andreas Pecher / Head of Project Management

First CE: 2019
Subject to change without notice

Documents registrar: Thomas Schuster
 Günzburger Str. 69, D-89335 Ichenhausen





SCHEPPACH FABRIKATION VON HOLZBEARBEITUNGSMASCHINEN GMBH

Günzburger Str. 69
D-89335 Ichenhausen



Stand der Informationen · Last Information Update · Version des informations · Stand van de informatie · Stan informacjī · Stav informacī · Stav informácií
Update: 01 / 2021 · Ident.-No.: 361816_2010 39068169915

IAN 361816_2010