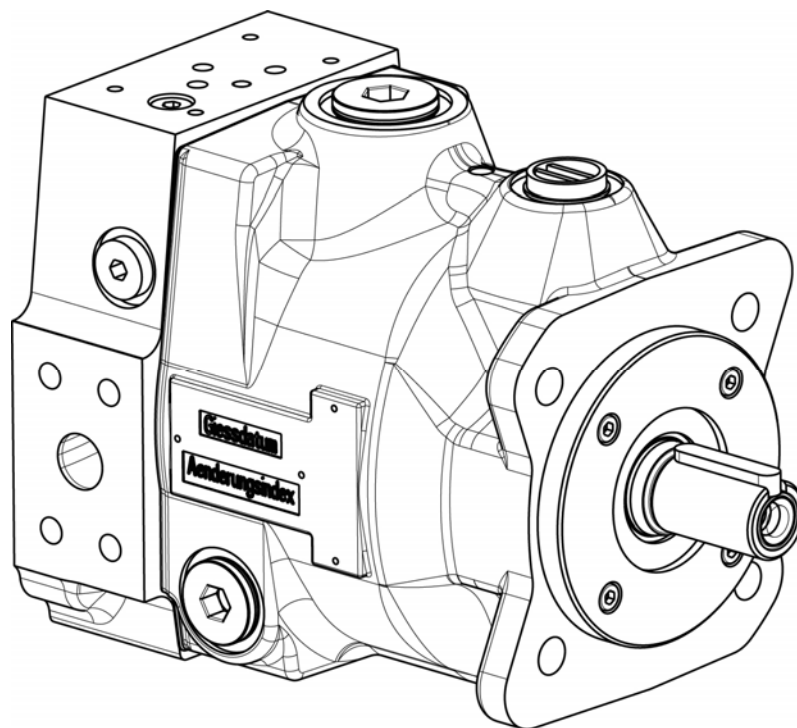
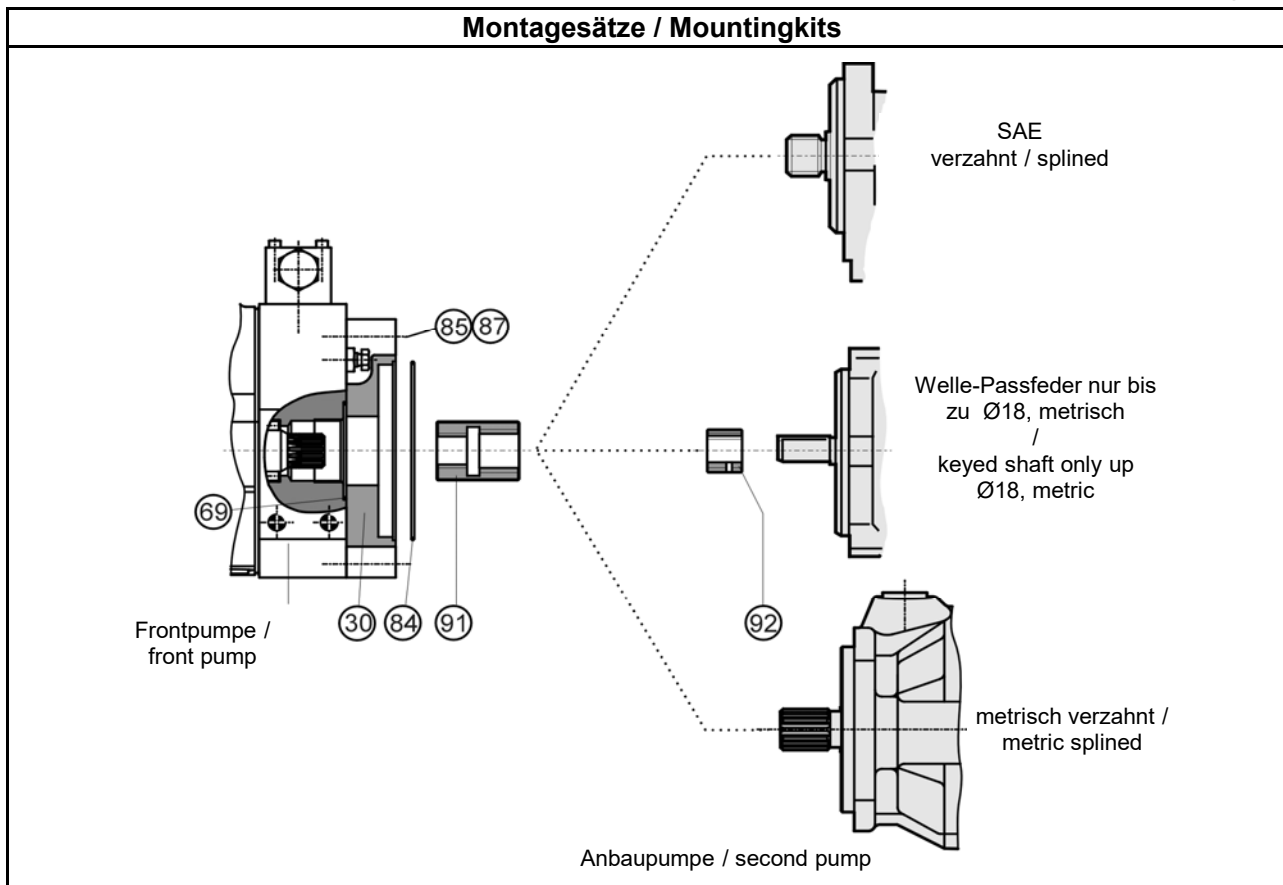




Ersatzteilliste / Sparepartlist PVplus

PV016 - PV028
Baugröße 1 / frame size 1
Konstruktionsstand / Design Series
45





Pos.	Stck/Qty	Code	Beschreibung / Description	Bemerkung/Remark
		MK- PVBG1	Anbaukit Kupplung / Mounting kit coupling Serie PVplus, PV016 - PV028	
		K01	Anbaupumpe / Second pump: metr.splined shaft N25 x 1,5 x 15 DIN 5480	
		K11	Anbaupumpe / Second pump: SAE splined shaft 9T16/32DP flat root side fit	
		K12	Anbaupumpe / Second pump: SAE splined shaft 11T16/32DP flat root side fit	
		K13	Anbaupumpe / Second pump: SAE splined shaft 13T16/32DP flat root side fit	
		K14	Anbaupumpe / Second pump: SAE splined shaft 15T16/32DP flat root side fit	
		K20	Anbaupumpe / Second pump: metric keyed shaft Ø 12 mm	
		K21	Anbaupumpe / Second pump: metric keyed shaft Ø 16 mm	
		K22	Anbaupumpe / Second pump: metric keyed shaft Ø 18 mm	
		42	Konstruktionsstand / design series 42 - 45 enthält / includes:	
91	1		Kupplung metrisch / coupling, metric - N32 x 1,5 x 20 DIN 5480	Code: K20,K21,K22
91	(1)		Kupplung metrisch / coupling, metric - N25 x 1,5 x 15 DIN 5480	Code: K01
91	(1)		Kupplung / coupling, SAE, 15T16/32DP, flat root, side fit	Code: K14
91	(1)		Kupplung / coupling, SAE, 13T16/32DP, flat root, side fit	Code: K13
91	(1)		Kupplung / coupling, SAE, 11T16/32DP, flat root, side fit	Code: K12
91	(1)		Kupplung / coupling, SAE, 9T16/32DP, flat root, side fit	Code: K11
92	(1)		Mitnehmer Passfeder / adaptor for keyed shaft Ø18 ; + Pos.91	Code: K22
92	(1)		Mitnehmer Passfeder / adaptor for keyed shaft Ø16 ; + Pos.91	Code: K21
92	(1)		Mitnehmer Passfeder / adaptor for keyed shaft Ø12 ; + Pos.91	Code: K20

Pos.	Stck/Qty	Code	Beschreibung / Description	Bemerkung/Remark
		MK-	Anbaukit / Mounting kit thru drive (adaptor for thru drive pump)	Schrauben und Scheiben für Anbau der zweiten Pumpe nicht enthalten / screws and washer needed to fix the second pump not included.
		PVBG1	Serie PVplus, PV016 - PV028	
		Y	Für Anbaupumpe / For thru drive pump: SAE A-A, Ø 50,8	
		A	Für Anbaupumpe / For thru drive pump: SAE A, Ø 82,55	
		B	Für Anbaupumpe / For thru drive pump: SAE B, Ø 101,6	
		G	Für Anbaupumpe / For thru drive pump: metric Ø 63	
		H	Für Anbaupumpe / For thru drive pump: metric Ø 80	
		J	Für Anbaupumpe / For thru drive pump: metric Ø 100	
		T	kein Durchtrieb + Stopfen / no thru drive + plug	
		M	Metrisch / metric- Schrauben / screws	
		S	UNC - Schrauben / screws	
		N	NBR	
		V	FKM	
		42	Konstruktionsstand / design series 42-45	
			enthält / includes:	
30	1		Durchtrieb / thru drive SAE A, Ø50,8 ; Gewinde / threads - Metr.	Code: Y + METR
30	(1)		Durchtrieb / thru drive SAE A, Ø50,8 ; Gewinde / threads - UNC	Code: Y + SAE
30	(1)		Durchtrieb / thru drive SAE A, Ø82,55 ; Gewinde / threads - Metr.	Code: A + METR
30	(1)		Durchtrieb / thru drive SAE A, Ø82,55 ; Gewinde / threads - UNC	Code: A + SAE
30	(1)		Durchtrieb / thru drive SAE B, Ø101,6 ; Gewinde / threads - Metr.	Code: B + METR
30	(1)		Durchtrieb / thru drive SAE B, Ø101,6 ; Gewinde / threads - UNC	Code: B + SAE
30	(1)		Durchtrieb / thru drive: Metr. Ø 63, Gewinde / threads -Metr.	Code: G + METR
30	(1)		Durchtrieb / thru drive: Metr. Ø 63, Gewinde / threads - UNC	Code: G + SAE
30	(1)		Durchtrieb / thru drive: Metr. Ø 80, Gewinde / threads -Metr.	Code: H + METR
30	(1)		Durchtrieb / thru drive: Metr. Ø 80, Gewinde / threads - UNC	Code: H + SAE
30	(1)		Durchtrieb / thru drive: Metr. Ø 100, Gewinde / threads -Metr.	Code: J + METR
30	(1)		Durchtrieb / thru drive: Metr. Ø 100, Gewinde / threads - UNC	Code: J + SAE
49	1		Durchtrieb / port plug, thru drive, CM 38 x 1,5 DIN 7604 - 5.8	Code: T
69	1		O-Ring - 2-028-N552-90; 34,65 x 1,78	Code: T, NBR
69	(1)		O-Ring - 2-028-V747-75; 34,65 x 1,78	Code: T, FKM
69	1		O-Ring - 2-134-N552-90; 47,29 x 2,62	NBR
69	(1)		O-Ring - 2-134-V747-75; 47,29 x 2,62	FKM
84	1		O-Ring - 2-033-N552-90; 50,52 x 1,78	Code: Y, NBR
84	(1)		O-Ring - 2-033-V747-75; 50,52 x 1,78	Code: Y, FKM
84	1		O-Ring - 2-036-N552-90; 60,05 x 1,78	Code: G, NBR
84	(1)		O-Ring - 2-036-V747-75; 60,05 x 1,78	Code: G, FKM
84	1		O-Ring - 2-041-N552-90; 75,92 x 1,78	Code: A, H, NBR
84	(1)		O-Ring - 2-041-V747-70; 75,92 x 1,78	Code: A, H, FKM
84	1		O-Ring - 2-044-N674-70; 94,97 x 1,78	Code: B, J, NBR
84	(1)		O-Ring - 2-044-V747-75; 94,97 x 1,78	Code: B, J, FKM
85	4		Schraube / hexagon socket head cap screw M8 x 30 DIN 912 12.9	Metr.
85	(4)		Schraube / hexagon socket head cap screw 5/16" - 18 UNC-x 1 1/4"	UNC
87	2		Zylinderstift / locator pin 8 M6 x 16 DIN 7	