

HYDROTHERAPY

Medical Systems. Use the Healing Qualities of Water.

UNBESCHIEDEN 
Baden-Baden

Hydrotherapy – harnessing the healing power of water

to restore and protect health, relieve symptoms and increase well-being. The healing power of water has been known to mankind since ancient times. The positive effects of hydrotherapy have been acknowledged by medical science since the early 20th century and are used worldwide

to great effect. Therapeutic equipment for hydrotherapy and balneotherapy is part of Unbescheiden's traditional areas of expertise; the company has specialized in hydrotherapeutic applications for over 100 years.

Unbescheiden is known for its advanced technical solutions and the diversity of its product portfolio in the field of hydrotherapeutic applications. All products are precisely designed to meet the special needs of different forms of therapies.

The technical features and state-of-the-art electronics allow for premium treatments and excellent comfort. Being able to perform treatments efficiently and smoothly plays an important role in the product design process. Unbescheiden offers a wide range of accessories for each product, different design styles and options as well as special features which can be individually customized to the exact needs of each particular situation. Unbescheiden's Spa Sensations product line allows for professional health and beauty treatments. With its various application options Spa Sensation is the ideal combination for treatments in the range of health and well-being.

All of the products have been tested in standard clinical settings and are easy to use. This lets you shift the focus onto the therapeutic treatment and the well-being of your patients.

Unbescheiden – classic hydrotherapy in a modern setting



Content



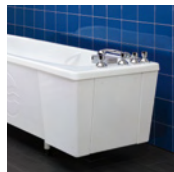
Automatic underwater massage tubs Page 04

Combination Equipment for underwater
massages, electrogalvanic baths
or CO₂ dry-gas baths Page 10



Butterfly tubs Page 16

Underwater traction systems Page 18



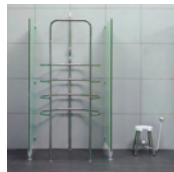
Medical tubs Page 20

Colonic irrigation equipment Page 22



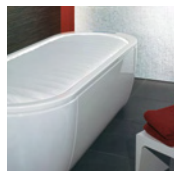
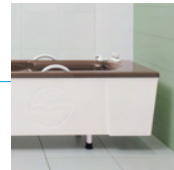
Arm and leg baths Page 24

Vichy showers / Shower units Page 26



Shower units / Charcot showers Page 28

Moor tubs Page 32



Dry floatation systems Page 34

Systems for peloids Page 36



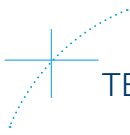
Lifters Page 38

Burn treatment tubs Page 38



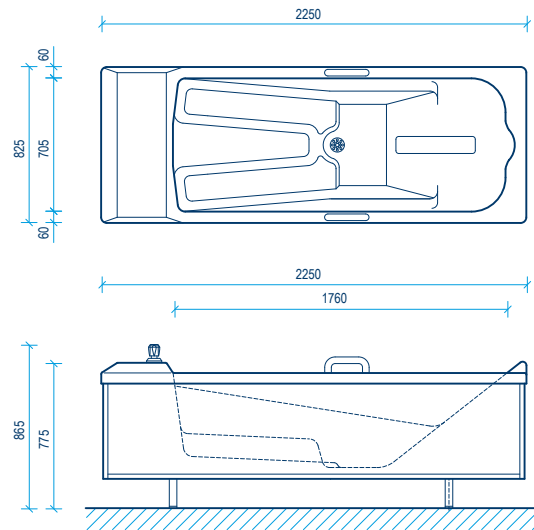


AUTOMATIC MASSAGE TUB VITALITY



TECHNICAL DATA

VITALITY



Technical modifications reserved

VITALITY LUXURY

MODELS	VITALITY 1.5-15	LUXURY 1.5-1F
TREATMENT OPTIONS		
Automatic underwater massages	•	–
Whirl massages	–	•
Manual underwater massages	o	o
Air-bubble baths	o	–
Usage of bath salts and oils (aroma therapy)	•	•
Chromotherapy	o	o
STANDARD EQUIPMENT, OPTIONAL EQUIPMENT AND ACCESSORIES		
MASSAGE SYSTEM		
Number of treated body areas	14	12
Number of zone groups	5	1
Number of water jets	140	16
Number of air nozzles (optional)	(50)	–
Manual underwater massage equipment	o	o
Abdominal massage equipment	o	–
Cervical spine massage equipment	o	–
LIGHT EFFECTS		
Starlight Effect with 146 underwater light spots	o	o
Highlight Effect with 6 underwater spots	o	o
HANDLING AND HYGIENE		
Well-designed control panel	•	•
Individual programming of massage sequence	•	–
Programming of treatment duration	•	•
Automatic tub filling	o	o
Automatic tub discharge	o	–
Filling fixture for aggressive water	o	o
Manometer to indicate massage pressure	o	–
Automatic rinsing system	•	•
FURTHER OPTIONS / ACCESSORIES		
Hand rails to facilitate entering and exiting	•	•
Head cushion	o	o
Pneumatic foot rest	•	•
Entry step (one step)	o	o
Substrate material for individual tiling	o	o
TECHNICAL DATA		
Dimensions in mm (L x W x H)	2250 x 825 x 690	2000 x 825 x 620
Electrical connection	400 V~, 50 Hz, 2,3 kW	230 V~, 50 Hz, 2,3 kW

• standard equipment | o optional equipment / optional accessories | Technical modifications reserved.

For additional models, refer to product line Spa Sensations.



... Water is a
friendly element for him
who is familiar with it
and knows how to manage it.

Johann Wolfgang von Goethe

VITALITY and LUXURY – systems for automatic underwater massages.

Easy to handle, first-class treatment quality. VITALITY – the tub for fully automated underwater massages – is equipped with 140 jets. The massage programme closely follows the sequence of a classical hydrotherapeutic massage.



5 different zones which cover a total of 14 body areas are treated sequentially. Every massage can be programmed individually: each zone group can be treated, and massage pressure and treatment time can be selected separately. The air-bubble bath* and the Starlight Effect* with its 146 light spots in eight different colours also contribute to your relaxation and enjoyment.



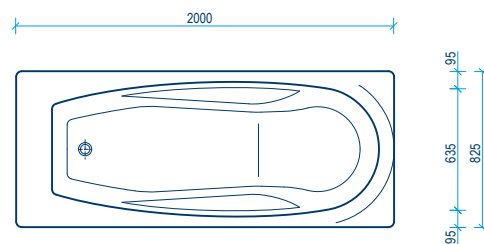
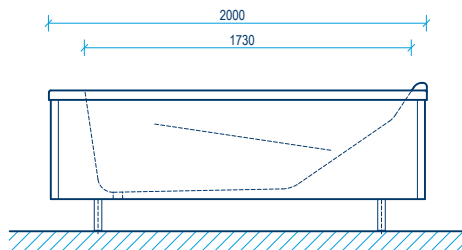
LUXURY is a system for whirlmassages which either can be used as a powerful stand-alone water massage or as a preparation for subsequent treatments. As the air supply to the massage jets can be precisely adjusted, LUXURY is also suitable for the inhalation of therapeutically effective aerosols.



In developing VITALITY and LUXURY, Unbescheiden paid great attention to minimizing noise emissions to guarantee a relaxing massage experience. The tubs, which consist of acrylic glass, are seamlessly shaped and their interior form is ergonomically designed.

Unbescheiden – intensive massage treatments for professional therapeutic settings

LUXURY



Technical modifications reserved

* Optional feature

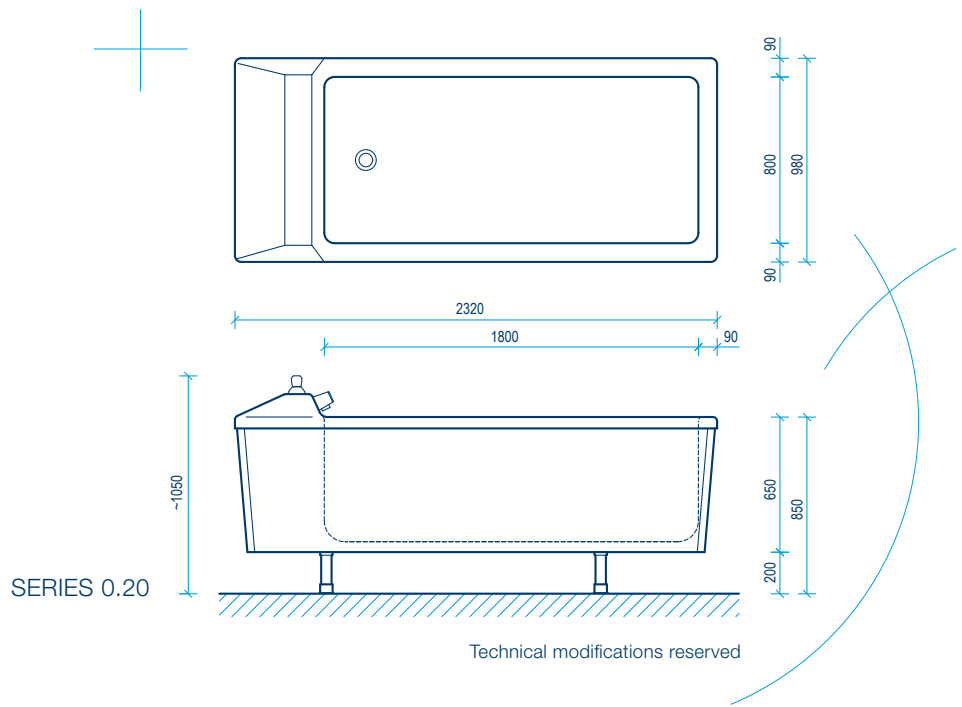


MASSAGE TUB LUXURY





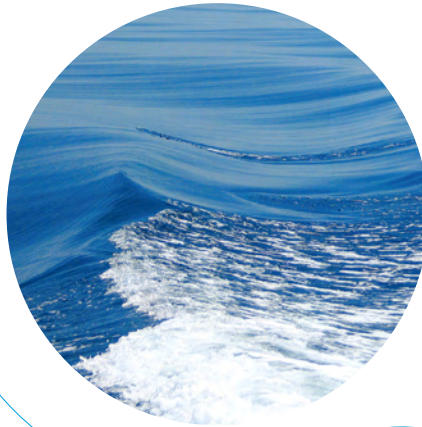
COMBINATION EQUIPMENT 0.10-0



COMBINATION EQUIPMENT

MODELS	0.10-0	0.10-1	0.20-3	0.20-6	0.20-8	0.20-9
TREATMENT OPTIONS						
Manual underwater massages	•	•	–	•	•	•
Automatic underwater massages	–	–	–	–	•	•
Electrogalvanic baths	–	•	–	•	–	•
CO ₂ dry-gas baths	–	–	•	•	–	–
Air-bubble baths	–	–	○	○	•	•
Underwater traction	–	–	○	○	○	○
STANDARD EQUIPMENT, OPTIONAL EQUIPMENT AND ACCESSORIES						
UNDERWATER PRESSURE JET MASSAGE						
Whirl massage jets	○	○	–	○	–	–
Rotational massage jet	○	○	–	○	○	○
ELECTROGALVANIC TREATMENTS						
Number of electrodes	–	8	–	8	–	8
Additional electrode / electrical massage brush	–	○	–	○	–	○
Number of programmes for electrogalvanic baths	–	22	–	22	–	22
Number of different therapeutic currents	–	8	–	8	–	8
HANDLING AND HYGIENE						
Control of LCD display and single knob control	–	•	–	•	–	•
Control panel	•	–	•	–	•	–
Automatic tub filling	–	–	○	○	○	○
Equipment for aggressive water	○	–	○	○	○	○
Disinfection equipment	○	○	–	○	○	○
FURTHER OPTIONS / ACCESSORIES						
Rigid headrest	○	○	–	–	•	•
Adjustable headrest	○	○	•	•	○	○
Handrails	•	•	•	•	•	•
Adjustable footrest	○	○	○	○	○	○
Backrest	○	○	–	○	○	○
Positioning belt	○	○	○	○	○	○
Door	–	–	○	○	–	–
Stairs (two steps)	○	○	○	○	○	○
TECHNICAL DATA						
Dimensions in mm (L x W x H)	2100 x 980 x 850		2320 x 980 x 850			

• standard equipment | ○ optional equipment / optional accessories | Technical modifications reserved.
Additional models and options are available on request.



... If water is an exquisite means for healthy people to maintain their health and strength it is also the best remedy in cases of illnesses.

Sebastian Kneipp

Combination Equipment - for underwater massages, electrogalvanic baths or CO₂ dry-gas baths. Perfectly suited for therapeutic requirements. Combination Equipment can be individually adapted for various hydrotherapeutic applications. Powerful manual underwater massage equipment is

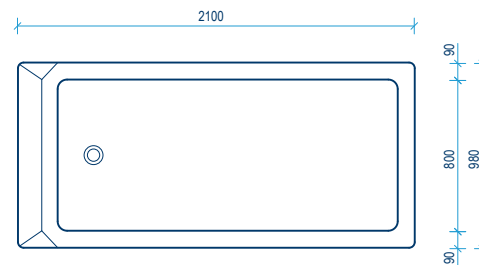
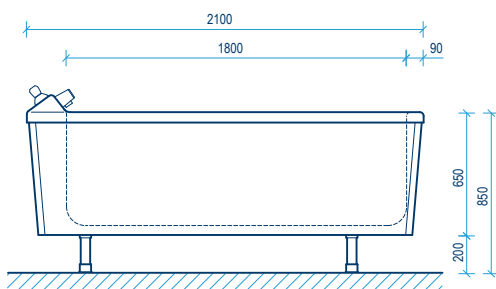
available for therapeutic massages. Different treatments can be complemented by an invigorating air bubble bath and automatic underwater pressure jet massages.

Combination Equipment can be fitted for electrogalvanic baths with up to eight different current settings. The facility is controlled via a very user friendly screen: the right kind of electrogalvanic treatment can be selected from 22 pre-programmed options or selected on an individual basis.

The CO₂ dry-gas baths feature a complete system with a steam generator, suction equipment and tub cover. The course of the treatment as well as the evacuation process of the carbon dioxide afterwards can be controlled automatically.

The body of the tub consists of high-quality acrylic glass and can be cleaned and disinfected easily. The tubs can be filled and drained quickly, which contributes to efficient handling for daily use.

Unbescheiden – flexible use and premium quality



Technical modifications reserved

SERIES 0.10



MODEL 0.10-1



MODEL 0.20-6

Butterfly tubs – ample space for underwater exercises.

For optimal therapeutic working conditions. With an interior length of 190 cm and a maximum width of 203 cm

the butterfly tub is ideal for physical therapy and underwater exercises. Due to the butterfly shape and the comfortable height of 86 cm the therapist can support and treat patients conveniently.



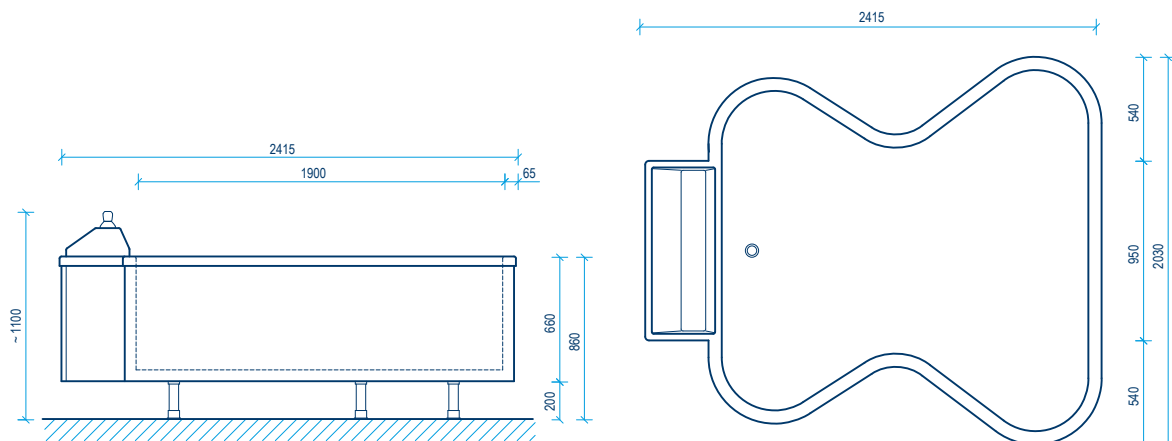
The different treatment possibilities of the butterfly tub are complemented by additional equipment and installation options: this includes powerful manual underwater massage equipment, air-bubble systems, underwater traction* or electrogalvanic baths.



The tub surface consists of high-quality acrylic glass and offers many advantages: The high quality of the tub helps make it durable, the water temperature can be maintained for a long time and the tub can be easily cleaned and disinfected. The automatic filling programme** as well as the large supply and drain lines facilitate a smooth treatment process. A wide range of accessories such as grab bars or steps, positioning belts, foot- and backrests meet your needs in working with the butterfly tub.



Unbescheiden – the ideal combination of form and function



Technical modifications reserved

* For underwater traction, refer to page 18 ** Optional feature



BUTTERFLY TUB



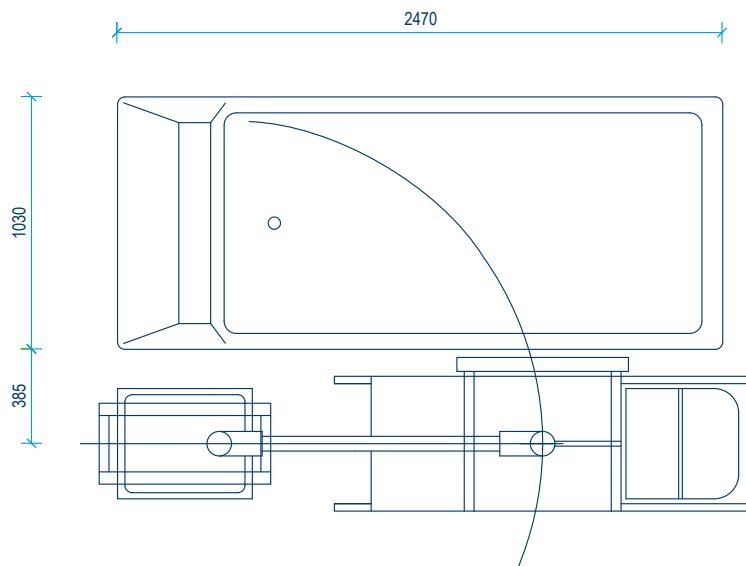
Underwater traction – the gentle stretching of the spine.

Using the positive effects of mild heat and of natural buoyancy. The ideal way to prepare for underwater traction is to let the muscles relax in warm water. Then the belts for the chest and hips are connected to

the traction device. Traction is applied as needed, based on the medical indication. Due to the floating and sinking movements of the body as the patient breathes, the spine is gently stretched, and intervertebral discs can decompress.

The underwater traction equipment is offered as a complete system: it comprises a tub rest, a traction device as well as chest and hip belts. A large-capacity tub and a lifting device to lower the patient into the tub are also included. The bed of the lifting device can be mounted directly on a transport trolley* to avoid lifting and repositioning patients with restricted mobility.

Unbescheiden – intensify treatments by offering hydrotherapy



Technical modifications reserved

* Optional feature



UNDERWATER TRACTION EQUIPMENT

Medical tubs - for water applications.

The tubs with the perfect form and equipment for all your therapeutic needs.

Our medical tubs are perfect for all different kinds of treatments, improving the comfort of the patients and conserving natural resources. The shape of the tub is an important criterion. If a key

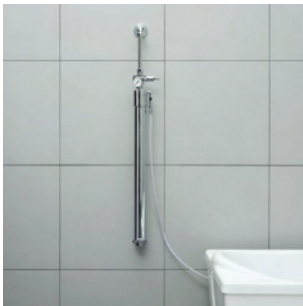
concern is the comfort of the patient, an ergonomic tub with a reclined backrest and contoured armrests will be your first choice. The thermal tub is designed so that the treatment media are handled gently during the filling process.



The fixtures of the medical tubs can be customised to your needs. There are fixtures for thermal water, fresh water and carbonated water; the supply lines for the carbonated water can also be installed low in the tub to avoid loss of carbonation. Pure-oxygen* or air-bubble baths* can also be used depending on the treatment. Carbonation devices*, CO₂*- or O₂-reducing stations* are available for the preparation of multiple kinds of water.



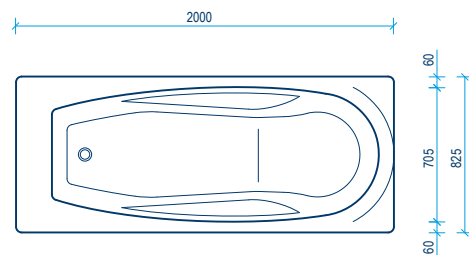
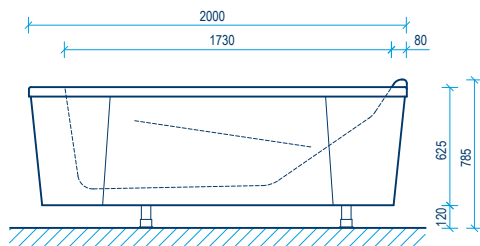
All tubs consist of high-quality acrylic glass. The smooth surface of the tub is durable and easy to clean. The large drains and fittings as well as an automatic* filling function improve easy handling and user-friendliness.



Unbescheiden – suitable equipment options for all your requirements

* Optional feature

MODEL 1.5-3



Technical modifications reserved



MEDICAL TUB 1.4-2



MEDICAL TUB 1.5-3

Colonic irrigation equipment – advanced systems for enemas.

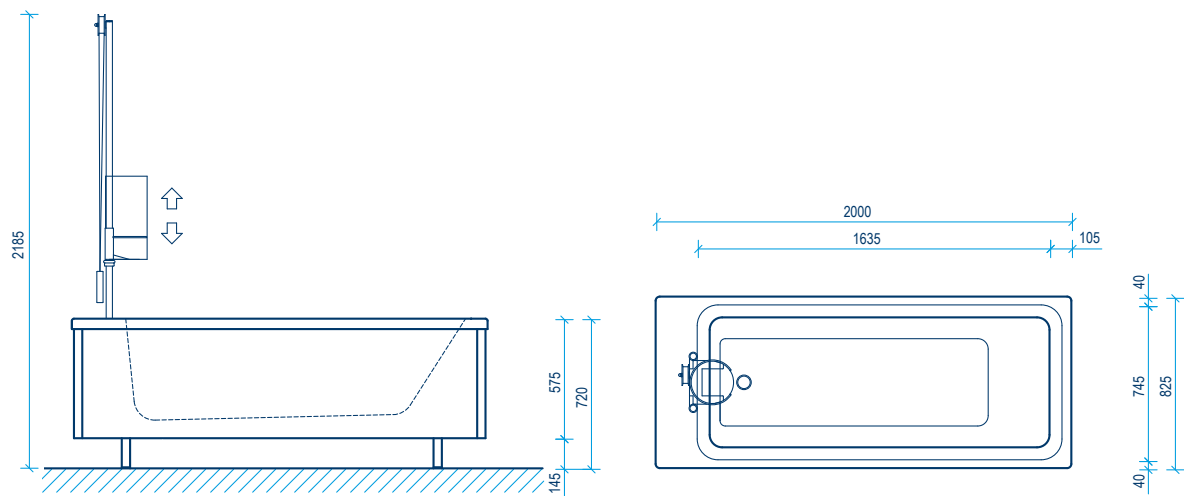
Safe and easy handling thanks to a height-adjustable irrigator reservoir; can be used comfortably and hygienically in a medical tub.



Unbescheiden's colonic irrigation equipment, patients bend their legs slightly and lie comfortably on a special table in the tub. The irrigator reservoir is filled with water and is fastened above the patient so that the enema takes place solely through hydrostatic pressure. For optimal pressure regulation, the height of the irrigator reservoir can be adjusted depending on the treatment phase or the patient's preference. Either thermal or mineral water can be used for an enema, and if indicated, medication can be added to the water.

The complete system comprises the tub, a treatment table and the irrigator device with the reservoir. Administering the enema in the tub offers optimal hygiene since the tub consists of seamlessly shaped acrylic glass which can be easily cleaned and maintained. Equipment for vaginal douches is available as an optional feature.

Unbescheiden – convenient equipment for patients and medical staff



Technical modifications reserved



COLONIC IRRIGATION EQUIPMENT

Arm and leg baths – for local hydrotherapeutic treatments.

The perfect system for every kind of treatment. Unbescheiden offers an extensive range of systems and equipment for all common therapeutic treatments, including electrogalvanic

arm and leg baths, jet contrast baths and jet whirl baths, Kneipp and Hauff leg and arm contrast baths as well as sitz baths.



The automatic control functions of the arm and leg baths make things easier for the therapist. For example, the electrogalvanic treatments of the four-basin baths (model no. 0.9-4 and 0.9-5) with eight different current settings are controlled automatically. The system is easy to use and treatments can be selected from 12 pre-programmed options.

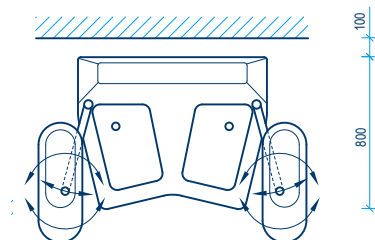
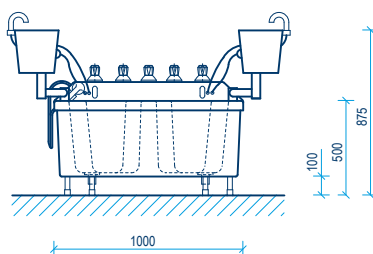
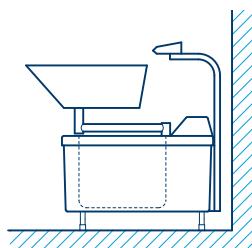
The four-basin bath, arm and leg baths and the sitz baths consist of high-quality acrylic glass and are seamlessly shaped.

Unbescheiden – the complete spectrum of classic hydrotherapy

MODELS	4-basin baths			Arm baths			Leg baths			Sitz baths	
	0.9-4	0.9-5	0.9-9	0.8-3	2.19-1	2.17-1	0.9-8	0.8-5	2.15-1	2.9-4	2.9-8
TREATMENT OPTIONS											
Electro-galvanic arm/leg baths	•	•									
Jet contrast baths (automatically controlled)		•	•				•				
Jet whirl baths (automatically controlled)				•				•			
Foot and contrast baths	•	•							•		
Arm contrast baths "Kneipp"	•	•			•						
Arm contrast baths "Hauff"						•					
Sitz baths										•	•

Additional models and options are available on request | Technical modifications reserved.

MODEL 0.9-4



Technical modifications reserved



MODEL 0.9-4



MODEL 0.8-3



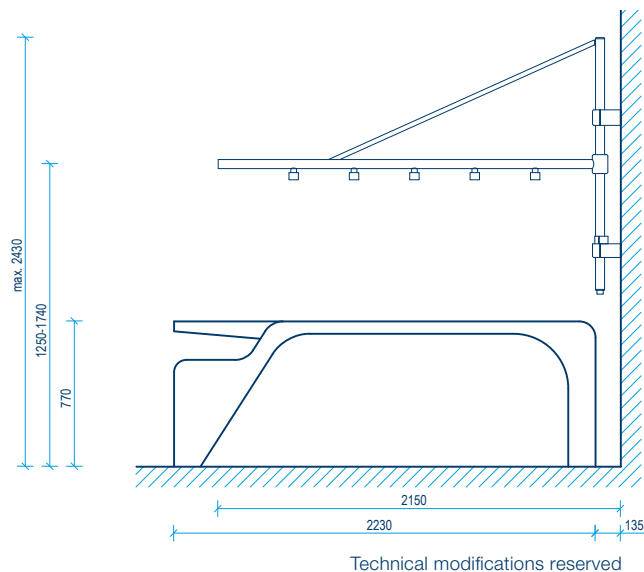
MODEL 0.8-5

VICHY CLASSIC – horizontal shower with five shower heads.

For hydrotherapeutic treatments and for use in spas. The horizontal shower



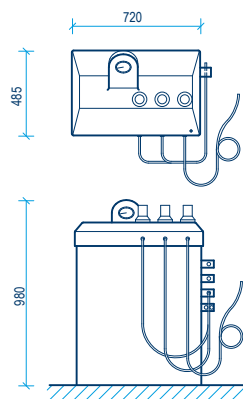
VICHY CLASSIC is offered as a complete system. The five shower heads of the shower arm can be regulated or shut off individually. A treatment table, a mattress cover and face protection are also included. Lowered armrests and an ergonomically shaped headrest make things more comfortable for the patient.



* Optional feature

Shower unit – for massage, contrast showers or Kneipp treatments.

A compact shower system for easy handling. The stand-alone shower is equipped with a well-designed control panel that consists of high-quality acrylic glass. It comes with integrated fixtures



Technical modifications reserved

that allow for exact temperature control and fast switching from hot to cold water.

It is equipped with a pressure regulator and a pressure and temperature gauge. A massage hose, a rain shower and a standard hose are provided for different shower treatments. The unit can be operated with fresh water or with thermal and mineral water*; an integrated pressure booster* is available as optional equipment. The range of therapeutic showers features special models for flush or surface wall mounting.



VICHY CLASSIC



SHOWER UNIT



CHARCOT SHOWER

Charcot shower – for pressure jet treatments and contrast showers.

A system for comprehensive shower treatments. The Charcot shower is a complete system that is equipped with a control panel, overhead shower, circular shower and a stool with

a bidet shower. Thanks to its different components the Charcot shower is both appropriate for full-body showers and for individual body parts.



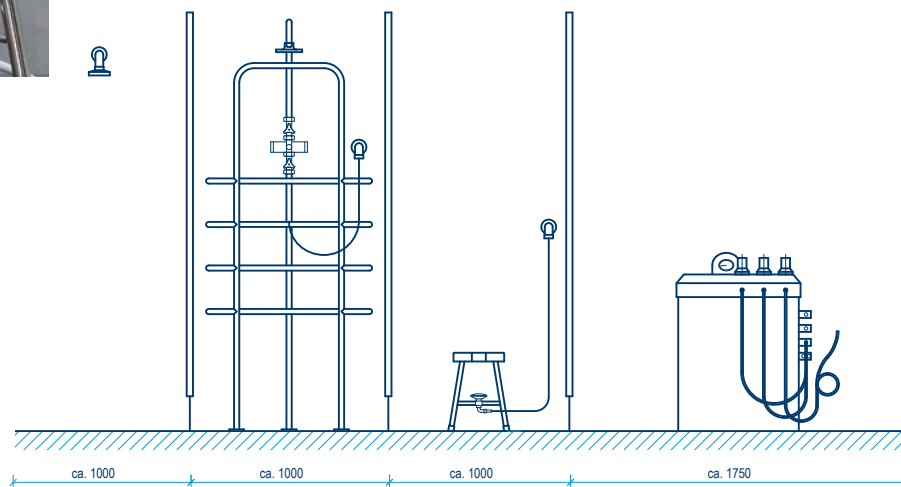
All treatments are controlled and monitored via the stand-alone shower unit. The convenient control panel is supplied with integrated fixtures for exact temperature control and fast switching from hot to cold water. It is equipped with a pressure regulator and a pressure and temperature gauge.



The flexible Charcot shower system can be easily adapted to the space constraints and function needs of each therapeutic setting, e.g. by adding a pressure booster*. The horizontal shower VICHY CLASSIC can also be integrated. Wide-ranging equipment options complement the system features.



Unbescheiden – easy handling of complex systems



Technical modifications reserved

* Optional feature

Seitenverkürzung



...Toughening oneself
physically is an outstanding
means of maintaining one's
health, and it is the best
remedy for illnesses.

Jean-Martin Charcot

Peloids – for healing and relaxing treatments.

A valuable part of balneological applications.

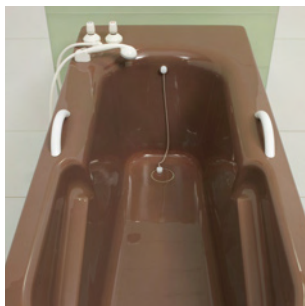
There is a long tradition for moor-mud treatments dating back to the 19th century, when



numerous moor spas were opened and therapeutic mud became a standard component of therapies. Unbescheiden offers technically advanced comprehensive systems for preparing and using peloids: they include complex moor-mud treatment equipment and fango mud stations as well as tubs and tables that are suitable for applying peloids.

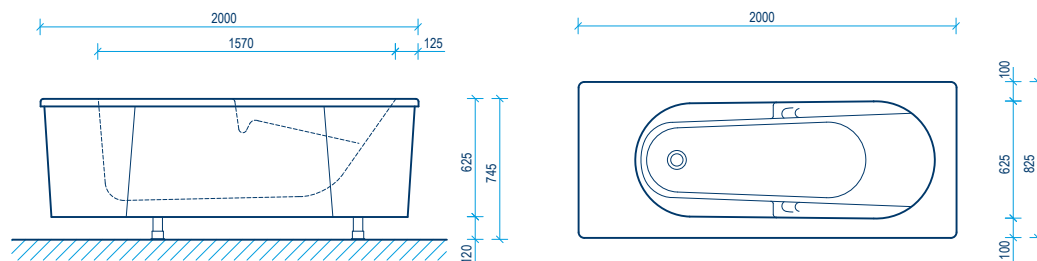
Moor tubs – with a special equipment and shape.

Allowing the positive effects of the peloids to unfold. The moor tubs were designed to take into account



the consistency of the peloids and their use. The amount of the precious peloids needed is kept low by the optimised shape of the tubs, which are equipped with comfortable armrests and a slightly reclined backrest. This guarantees a fully enjoyable and relaxing moor bath.

The taps and drains of the moor tub have been specially adapted for the use of peloids. Additionally, moor tubs can be equipped with fixtures for fresh or thermal water.* The high-quality acrylic glass surface improves the durability of the tub which can be easily cleaned and disinfected.



MOOR TUB 1.4-4

Technical modifications reserved

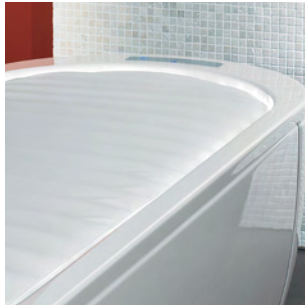
* Optional feature



MOOR TUB 1.4-4

JOUVENCE – a dry floatation system for body wraps.

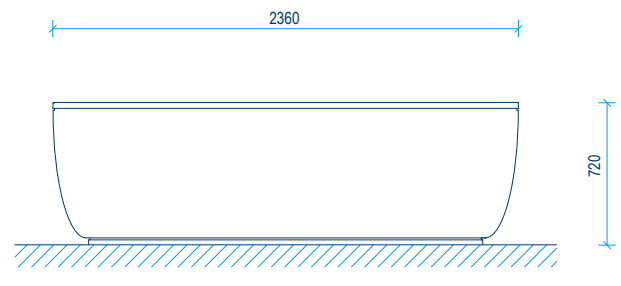
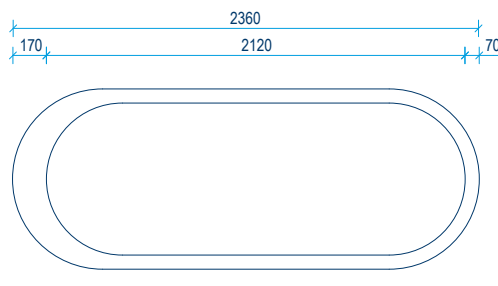
The effective and soothing impact of the warm water cushion. The dry floatation system JOUVENCE



has a surface which can be adapted to different treatment phases. At the beginning of the session, you rest on a solid cushion of air, which is the perfect foundation for a body wrap. Once the wrap has been applied, the cushion slowly releases air to lower you onto a pleasantly heated water cushion. By floating on the water cushion the body relaxes completely: the wraps develop their maximum effect. When the cushion of air rises again, your legs are supported and lifted first to stabilise and stimulate your circulation.

Operating JOUVENCE is simple and intuitive thanks to the five keys on the edge of the bed. The removable blanket and fitted sheet for the cushion are odourless and impervious to water, oil and disinfectant. They can be washed at 90° C or steam-cleaned. The surface is wrinkle-free and easy to clean. The numerous functions that JOUVENCE offers all give you the feeling of being in the best of hands at every moment of the treatment session.

Unbescheiden - the pleasure of relaxation



Technical modifications reserved



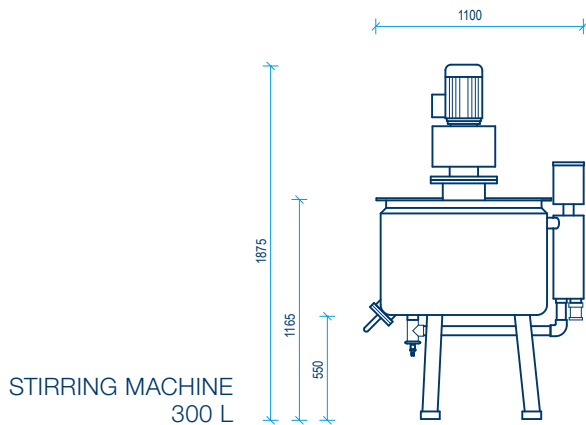
DRY FLOATATION SYSTEM JOUVENCE



Automatic processing equipment – systems for peloids.

Perfectly suitable for storing and handling therapeutic media. Unbescheiden is the ideal partner for planning and implementing moor-mud processing equipment. A great deal of experience and know-

how is needed to master the logistic demands of designing and installing such complex equipment, which can include conveyor belts, pumps and stirring machines with volumes of up to 10,000 litres and the equipment needed to dispense the moor mud. Unbescheiden will be glad to advise you and show you references.

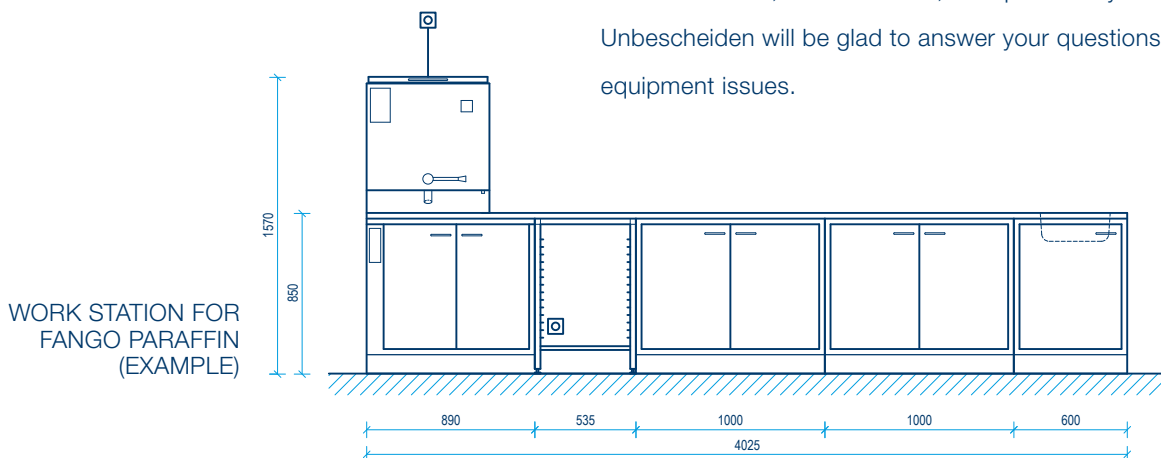


Technical modifications reserved

Fango mud stations – for preparing fango paraffin.

Professional work stations for physiotherapy practices, spa clinics or rehabilitation centres. Unbescheiden offers all the units and components needed for preparing fango paraffin. The layout and installation

is flexible and can be adapted to your spatial constraints, therapeutic requirements and processing volumes: the product portfolio includes stirrers, warming cabinets and accessories such as shelves, work surfaces, transport trolleys and cabinets. Unbescheiden will be glad to answer your questions regarding equipment issues.



Technical modifications reserved



AUTOMATIC PROCESSING EQUIPMENT



FANGO PARAFFIN WORK STATION

Lifter – easy handling for staff

and patient safety and comfort during treatments. Unbescheiden's lifter systems are an indispensable aid in clinics and rehabilitation centres. Besides that, they are an important component for therapeutic and medical treatments, e. g. for underwater traction or baths for burn victims. Our product portfolio includes different lifter systems with diverse options. Unbescheiden offers mobile or stationary lifters as well as lifters for transport, transferring patients, and use in baths or showers.



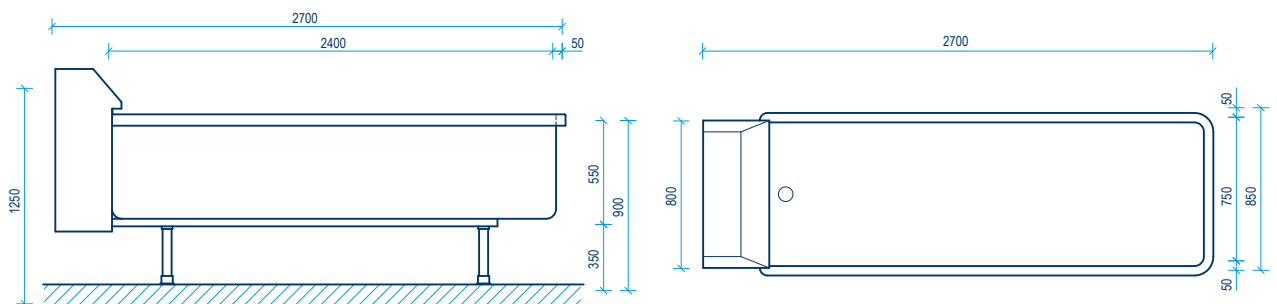
Burn treatment tubs – complete systems with a lifter.

Precisely designed to meet the special needs of treating burn victims. These custom tubs for burn patients are most widely used for cleaning and treating wounds, a process which can be performed gently and efficiently in water. There is a stationary



large-volume tub as well as a compact height-adjustable model. Both tubs are made of stainless steel. This top-quality material can hold up to the mechanical demands of everyday clinical life and is easy to disinfect. The lift systems have recliners and are specially designed to be used in burn care tubs. EasyCare is a complete system for treating acute burns; it consists of a shower gurney with shower panel and drain sink.

STATIONARY BURN TREATMENT TUB



For additional models, refer to product line Burn Care Systems. | Technical modifications reserved



LIFTER WITH STRETCHER



LIFTER WITH SEAT



STATIONARY BURN TREATMENT TUB



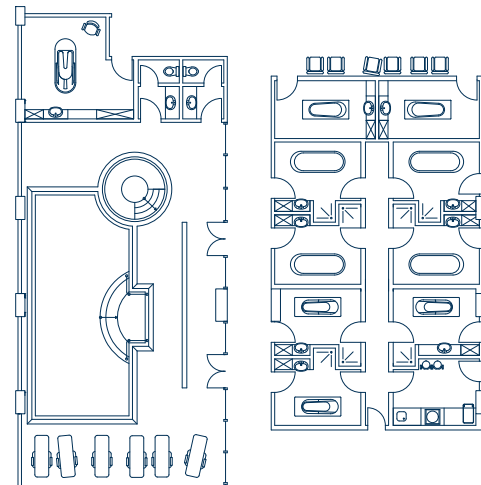
Planning and designing – the entire spectrum of balneotherapy.

Expertise and experience in developing ideal project solutions for physiotherapy and medical wellness. For decades Unbescheiden has been a

proven expert in designing sophisticated structures for balneotherapeutical treatments. Unbescheiden designs balneotherapeutical areas in close cooperation with architects and specialist planners. The services range from equipment solutions for individual treatment rooms to designs of hydrotherapeutical areas with therapeutical facilities with movement baths and swimming pools. Unbescheiden is the perfect partner for creating fango mud stations or planning complex automatic processing equipment.

Our architects and engineers develop the best possible solutions for every kind of spatial and therapeutical requirement – and they always focus on combining optimum treatment possibilities with an efficient work flow. References in Germany and abroad bear witness to the competence of Unbescheiden.

Unbescheiden – design expert for hydro- and balneotherapy





UNBESCHIEDEN – expertise that meets the highest standards.

Unbescheiden GmbH develops exceptional solutions that can be used in spas, physical rehabilitation centres and medical facilities. Its products are second to none worldwide in their functionality, quality and design. These standards have been the Unbescheiden tradition since 1869. The company

was founded in the late 19th century. Within a short time, health spas and sanatoriums throughout Europe prided themselves on using Unbescheiden sanitary fixtures and thermal water treatment equipment. Today, the Unbescheiden name represents the fifth generation of high-quality equipment for use in spas and wellness centres as well as physical rehabilitation and care-taking facilities.

The company's products are functionally well-designed, have multi-faceted uses and are easy to handle. All of these features are a result of its decades of experience and close cooperative efforts with therapists, physicians and end users. Unbescheiden's products are known for their quality and durability because the company pays careful attention to the manufacturing process, materials and features.

The company is based in Baden-Baden, Germany, and is highly regarded all over the world by its clients. Unbescheiden offers consultancy in planning and design and can accommodate special needs in terms of equipment or applications.

Unbescheiden offers you the highest standards: sophisticated technology which harmonizes with the clear and stylish design of its surroundings and creates a space for a luxurious experience.

Unbescheiden – natural strength to serve your health

