

CITIZEN

LINE THERMAL PRINTER

MODEL CT-S651

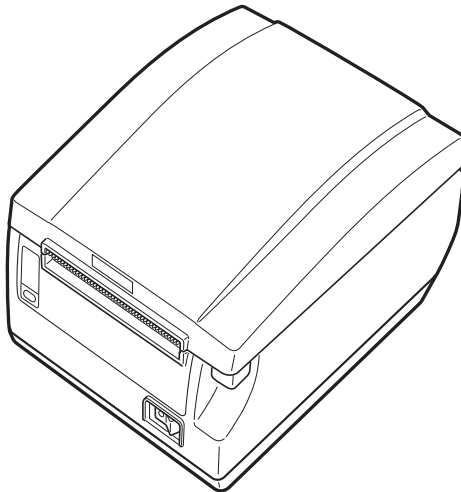
User's Manual

Mode d'emploi

Benutzerhandbuch

Manuale dell'utente

Manual de Usuario



CITIZEN SYSTEMS JAPAN CO., LTD.

WEEE MARK

En If you want to dispose of this product, do not mix it with general household waste. There is a separate collection systems for used electronics products in accordance with legislation under the WEEE Directive (Directive 2002/96/EC) and is effective only within European Union.

Ge Wenn Sie dieses Produkt entsorgen wollen, dann tun Sie dies bitte nicht zusammen mit dem Haushaltsmüll. Es gibt im Rahmen der WEEE-Direktive innerhalb der Europäischen Union (Direktive 2002/96/EC) gesetzliche Bestimmungen für separate Sammelsysteme für gebrauchte elektronische Geräte und Produkte.

Fr Si vous souhaitez vous débarrasser de cet appareil, ne le mettez pas à la poubelle avec vos ordures ménagères. Il existe un système de récupération distinct pour les vieux appareils électroniques conformément à la législation WEEE sur le recyclage des déchets des équipements électriques et électroniques (Directive 2002/96/EC) qui est uniquement valable dans les pays de l'Union européenne.

Les appareils et les machines électriques et électroniques contiennent souvent des matières dangereuses pour l'homme et l'environnement si vous les utilisez et vous vous en débarrassez de façon inappropriée.

Sp Si desea deshacerse de este producto, no lo mezcle con residuos domésticos de carácter general. Existe un sistema de recogida selectiva de aparatos electrónicos usados, según establece la legislación prevista por la Directiva 2002/96/CE sobre residuos de aparatos eléctricos y electrónicos (RAEE), vigente únicamente en la Unión Europea.

It Se desiderate gettare via questo prodotto, non mescolatelo ai rifiuti generici di casa. Esiste un sistema di raccolta separato per i prodotti elettronici usati in conformità alla legislazione RAEE (Direttiva 2002/96/CE), valida solo all'interno dell'Unione Europea.

Du Deponer dit product niet bij het gewone huishoudelijk afval wanneer u het wilt verwijderen. Er bestaat ingevolge de WEEE-richtlijn (Richtlijn 2002/96/EG) een speciaal wettelijk voorgeschreven verzamelstelsel voor gebruikte elektronische producten, welk alleen geldt binnen de Europese Unie.

Da Hvis du vil skille dig af med dette produkt, må du ikke smide det ud sammen med dit almindelige husholdningsaffald. Der findes et separat indsamlingsssystem for udtjente elektroniske produkter i overensstemmelse med lovgivningen under WEEE-direktivet (direktiv 2002/96/EC), som kun er gældende i den Europæiske Union.

Por Se quiser deitar fora este produto, não o misture com o lixo comum. De acordo com a legislação que decorre da Directiva REEE – Resíduos de Equipamentos Eléctricos e Electrónicos (2002/96/CE), existe um sistema de recolha separado para os equipamentos electrónicos fora de uso, em vigor apenas na União Europeia.

Pol Jeżeli zamierzasz pozbyć się tego produktu, nie wyrzucaj go razem ze zwykłymi domowymi odpadkami. Według dyrektywy WEEE (Dyrektywa 2002/96/EC) obowiązującej w Unii Europejskiej dla używanych produktów elektronicznych należy stosować oddzielne sposoby utylizacji.



Declaration of Conformity

This printer conforms to the following Standards:

The Low Voltage Directive 2006/95/EC, the EMC Directive 2004/108/EC, the RoHS Directive 2002/95/EC, and the WEEE Directive 2002/96/EC.

LVD : EN60950-1

EMC: EN55022 Class A

EN61000-3-2

EN61000-3-3

EN55024

This declaration applies only to the 230-V model.

IMPORTANT: This equipment generates, uses, and can radiate radio frequency energy and if not installed and used in accordance with the instruction manual, may cause interference to radio communications. It has been tested and found to comply with the limits for a Class A computing device pursuant to Subpart J of Part 15 of FCC Rules, which are designed to provide reasonable protection against such interference when operated in a commercial environment. Operation of this equipment in a residential area is likely to cause interference, in which case the user at his own expense will be required to take whatever measures may be necessary to correct the interference.

CAUTION: Use shielded cable for this equipment.

Sicherheitshinweis

Die Steckdose zum Anschluß dieses Druckers muß nahe dem Gerät angebracht und leicht zugänglich sein.

For Uses in Canada

This Class A digital apparatus complies with Canadian ICES-003.

This digital apparatus does not exceed the Class A limits for radio noise emissions from digital apparatus, as set out in the radio interference regulations of the Canadian department of communications.

Pour L'utilisateurs Canadiens

Cet appareil numérique de la Classe A est conforme à la norme NMB-003 du Canada.

Cet appareil numérique ne dépasse pas les limites de catégorie a pour les émissions de bruit radio émanant d'appareils numériques, tel que prévu dans les règlements sur l'interférence radio du département Canadien des communications.

ENGLISH

GENERAL PRECAUTIONS

- Before using this product, be sure to read through this manual. After having read this manual, keep it in a safe, readily accessible place for future reference.
- The information contained herein is subject to change without prior notice.
- Reproduction or transfer of part or all of this document in any means is prohibited without permission from Citizen Systems.
- Note that Citizen Systems is not responsible for any operation results regardless of omissions, errors, or misprints in this manual.
- Note that Citizen Systems is not responsible for any trouble caused as a result of using options or consumables that are not specified in this manual.
- Except explained elsewhere in this manual, do not attempt to service, disassemble, or repair this product.
- Note that Citizen Systems is not responsible for any damage attributable to incorrect operation/handling or improper operating environments that are not specified in this manual.
- Data is basically for temporary use and not stored for an extended period of time or permanently. Please note that Citizen Systems is not responsible for damage or lost profit resulting from the loss of data caused by accidents, repairs, tests or other occurrences.
- If you find omissions, errors, or have questions, please contact your Citizen Systems dealer.
- If you find any pages missing or out of order, contact your Citizen Systems dealer for a replacement.

CITIZEN is a registered trade mark of Citizen Watch Co., Ltd, Japan
CITIZEN es una marca registrada de Citizen Watch Co., Ltd, Japón

Company names and product names in this manual are trademarks or registered trademarks of relevant companies.

Copyright© 2018 by CITIZEN SYSTEMS JAPAN CO., LTD.

SAFETY PRECAUTIONS ...WHICH SHOULD BE STRICTLY OBSERVED

Before using this product for the first time, carefully read these SAFETY PRECAUTIONS. Improper handling may result in accidents (fire, electric shock or injury).

In order to prevent injury to operators, third parties, or damage to property, special warning symbols are used in the User's Manual to indicate important items to be strictly observed.

- After having read this Manual, keep it in a safe, readily accessible place for future reference.
- Some of the descriptions contained in this manual may not be relevant to some printer models.

The following describes the degree of hazard and damage that could occur if the printer is improperly operated by ignoring the instructions indicated by the warning symbols.



WARNING

Neglecting precautions indicated by this symbol may result in fatal or serious injury.



CAUTION

Neglecting precautions indicated by this symbol may result in injury or damage to property.



This symbol is used to alert your attention to important items.



This symbol is used to alert you to the danger of electric shock or electrostatic damage.



This symbol denotes a request to unplug the printer from the wall outlet.



This symbol is used to indicate that the power supply must be grounded.



This symbol is used to indicate useful information, such as procedures, instructions or the like.



This symbol is used to indicate prohibited actions.

PRECAUTIONS ON PRINTER INSTALLATION

WARNING

■ Do not use or store this product in a place where it will be exposed to:

- * Flames or moist air.
- * Direct sunlight.
- * Hot airflow or radiation from a heating device.
- * Salty air or corrosive gases.
- * Ill-ventilated atmosphere.
- * Chemical reactions in a laboratory.
- * Airborne oil, steel particles, or dust.
- * Static electricity or strong magnetic fields.

● **Neglecting these warnings may result in printer failure, overheating, emission of smoke, fire, or electric shock.**



■ Do not drop any foreign object nor spill liquid into the printer. Do not place any object on the printer either.

■ Do not drop any metallic object such as paper clips, pins or screws into the printer.

■ Do not place a flower vase, pot, or anything containing water on the printer.

■ Do not spill coffee, soft drinks, or any other liquid into the printer.

■ Do not spray insecticide or any other chemical liquid over the printer.

● **Dropping a metallic foreign object into the printer, may cause printer failure, fire, or electric shock. Should it occur, immediately turn the printer off, unplug it from the supply outlet, and call your local Citizen Systems Dealer.**



Do not handle the printer in the following ways:

■ Do not subject the printer to strong impacts or hard jolts (e.g., being stepped on, dropped or struck).

■ Never attempt to disassemble or modify the printer.

● **Neglecting to handle properly may result in printer failure, overheating, emission of smoke, fire, or electric shock.**



■ Install, use, or store the printer out of the reach of children.

● **Electric appliances could cause an unexpected injury or accident if they are handled or used improperly.**

● **Keep the power cord and signal cables out of the reach of children. Also children should not be allowed to gain access to any internal part of the printer.**

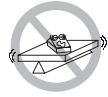
● **The plastic bag the printer came in must be disposed of properly or kept away from children. Wearing it over the head may lead to suffocation.**



CAUTION

Do not use the printer under the following conditions.

- Avoid locations subject to vibration or instability.
- Avoid locations where the printer is not level.
- **The printer may fall and cause an injury.**
- **The quality of printing may deteriorate.**
- Do not obstruct the printer's air vents.
- Do not place anything on the printer.
- Do not cover or wrap the printer in cloth or blankets.
- **Doing so could cause heat to build up and deform the case or start a fire.**
- Avoid using the printer near a radio or TV set or from supplying it from the same electric outlet as these appliances.
- Avoid using the printer interconnected with a cable or cord that has no protection against noise. (For interconnections, use shielded or a twisted pair of cables and ferrite cores, or other anti-noise devices.)
- Avoid using the printer with a device that is a strong source of noise.
- **The printer may have an adverse effect on nearby radio or TV transmissions. There may also be cases when nearby electrical appliances adversely influence the printer, causing data errors or malfunction.**
- Installed in any orientation other than those specified.
- **Malfunction, failure, or electric shock may result.**



- Connect the printer to a ground.
- **Electric leakage may cause an electric shock.**
- Do not connect the printer's ground to any of the following:
 - * Gas piping
 - **A gas explosion could result.**
 - * Telephone line ground
 - * Lightning rod
 - **If lightning strikes a large surge of current may cause fire or shock.**
 - * Water pipes
 - **Plastic water pipes should not be used for grounding. (Those approved by a Waterworks Department may be used.)**
- Before connecting or disconnecting the grounding lead to or from the printer, always unplug it from the electric outlet.



PRECAUTIONS IN HANDLING THE PRINTER

WARNING

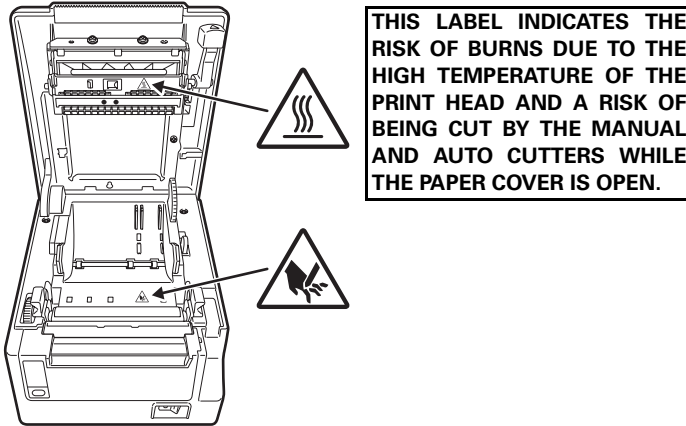
Please observe the following precautions for power source and power cord:

- Do not plug or unplug the power cord with a wet hand.
- Use the printer only at the specified supply voltage and frequency.
- Use only the specified AC adapter with the printer.
- Check to make sure that the supply outlet from which the printer is powered has a sufficient capacity.
- Do not supply the printer from a power strip or current tap shared with other appliances.
- Do not plug the power cord into an electric outlet with dust or debris left on the plug.
- Do not use a deformed or damaged power cord.
- Do not move the printer while its power is on.
- **Neglecting to handle it properly may result in printer failure, emission of smoke, fire, or electric shock.**
- **An overload may cause the power cord to overheat, catch fire, or the circuit breaker to trip.**
- Do not allow anything to rest on the power cord. Do not place the printer where the power cord may be stepped on.
- Do not use or carry the printer with its power cord bent, twisted, or pulled.
- Do not attempt to modify the power cord unnecessarily.
- Do not place the power cord near any heating device.
- **Neglecting these cautions may cause wires or insulation to break, which could result in electric leakage, electric shock, or printer failure. If the power cord sustains damage, contact your Citizen Systems dealer.**
- Do not leave things around the electric outlet.
- Supply power to the printer from a convenient electric outlet, readily accessible in an emergency.
- **Pull the plug to immediately shut it down in an emergency.**
- Insert the power plug fully into the outlet.
- If the printer will not be used for a long time, disconnect it from its electric outlet.
- Hold the plug and connector when plugging or unplugging the power cord or signal cable after turning off the printer and the appliance connected to it.



CAUTION

Caution label is attached in the position shown in the following figure. Carefully read the handling precautions before using the printer.



- Do not transport this printer with the paper roll inside.
- **Printer failure or damage may occur.**

To prevent possible malfunction or failure observe the following.

- Do not open the paper cover during printing.
- Avoid operating the printer without paper properly loaded.
- Avoid the use of paper not complying with specifications.
- **May result in poor print quality.**
- Avoid using torn pieces of paper or paper spliced with plastic adhesive tape.
- Avoid forcibly pulling already loaded paper by hand.
- Avoid using a sharp pointed device to operate panel buttons.



- Be sure to firmly insert the cable plugs into their mating sockets.
- **A cross connection may damage the printer's internal electronics or the host system's hardware.**
- Only use the printer with devices that have designated solenoid specifications for the cash drawer interface connector.
- **Neglecting this caution may result in malfunction or failure.**



CAUTION

To prevent injury and printer failures from worsening, observe the following:

- While the paper cover is open, be careful to not touch the manual cutter that is in the paper eject slot.
- Do not touch the printing surface of the thermal head.
- Do not touch any of the moving parts (e.g., paper cutter, gears, active electric parts) while the printer is working.
- In case of trouble do not attempt to repair the printer. Ask Citizen Systems service for repair.
- Be careful that the covers do not pinch your hands or fingers.
- Be careful of the sharp edges on the printer. Do not allow them to injure you or damage property.
- **May result in electric shock, burn, or injury.**



If the printer emits smoke, an odd smell, or unusual noise while printing, immediately abort the current print session and unplug the printer from the electric outlet.

DAILY MAINTENANCE

Observe the following precautions for daily maintenance.

- When cleaning the printer, always turn it off and unplug it from the electric outlet.
- Use a soft, dry cloth for cleaning the surface of the printer case.
For severe stains, use a soft cloth slightly dampened with water.
Never use organic cleaning solvent such as alcohol, paint thinner, trichloroethylene, benzene, or ketone. Never use a chemically processed cleaning cloth.
- To remove paper dust, use a soft brush.



CAUTION

- **The thermal head is at a dangerously high temperature immediately after printing. Allow it to cool off before starting maintenance work.**

Visit the following site to get documentation, drivers, utilities, and other information.

<http://www.citizen-systems.co.jp/english/support/index.html>

THE TABLE OF CONTENTS

- 1. GENERAL OUTLINE..... 9**
 - 1.1 Features..... 9
 - 1.2 Unpacking..... 10
 - 1.3 Model Classification 10
 - 1.4 Basic Specifications..... 11
- 2. EXPLANATION OF PRINTER PARTS 12**
 - 2.1 Printer Appearance 12
 - 2.2 Inside the Paper Cover 15
 - 2.3 Other Built-in Functions..... 16
- 3. SETUP..... 17**
 - 3.1 Connecting the AC Power Cord 17
 - 3.2 Connecting Interface Cables 18
 - 3.3 Connecting the Cash Drawer 20
 - 3.4 Precautions for Installing the Printer 22
 - 3.5 Partition for Paper Roll..... 23
 - 3.6 Setting the DIP Switch on the Serial Interface Board..... 24
 - 3.7 Adjusting the Paper Near-end Sensor 25
 - 3.8 Loading Paper..... 26
 - 3.9 Attaching the Power Switch Cover 27
 - 3.10 Attaching the Interface Cover..... 28
 - 3.11 Removing the Interface Cover..... 28
- 4. MAINTENANCE AND TROUBLESHOOTING..... 29**
 - 4.1 Periodic Cleaning 29
 - 4.2 Clearing a Cutter Lock (1) 30
 - 4.3 Clearing a Cutter Lock (2) 30
 - 4.4 Self-printing 32
 - 4.5 Hexadecimal Dump Printing 33
 - 4.6 Error Messages 34
- 5. OTHER 36**
 - 5.1 External Views and Dimensions 36
 - 5.2 Printing Paper 37
 - 5.3 Manual Setting of Memory Switches 38

1. GENERAL OUTLINE

The CT-S651 line thermal printer series is designed for use with a broad array of terminal equipment including data, POS, and kitchen terminals. These printers have extensive features so they can be used in a wide range of applications.

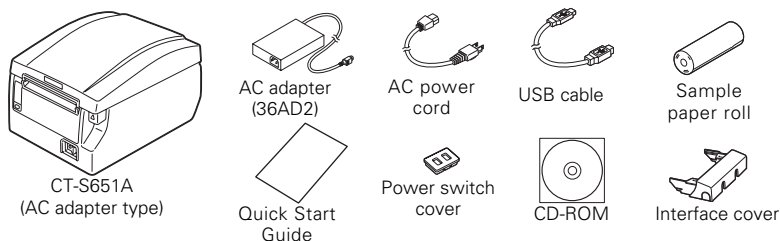
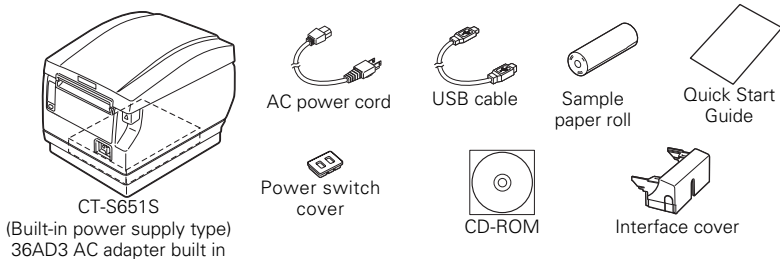
1.1 Features

- High-speed (200 mm/s) printing
- Design so compact it can be installed anywhere (maximum 3-inch (83-mm) paper roll size)
- Waterproof construction prevents water from entering through the top
- Paper is output from the front so the printer can be placed in restricted spaces
- Choose from two models with either 3-inch (83/80 mm) or 2-inch (60/58 mm) wide paper rolls
- Built-in power supply or AC adapter types available
- Printer status and errors indicated by LED and a buzzer
- Equipped with a fast and quiet cutter
- Easy to clear cutter jams
- Interchangeable interface
- Built-in cash drawer kick-out interface
- Memory switches make customization possible
- Store user-defined characters and logos on user memory
- Barcode and 2D barcode printing supported
- 2-color printing supported (when specified paper used)
- Driver and utility software included

1.2 Unpacking

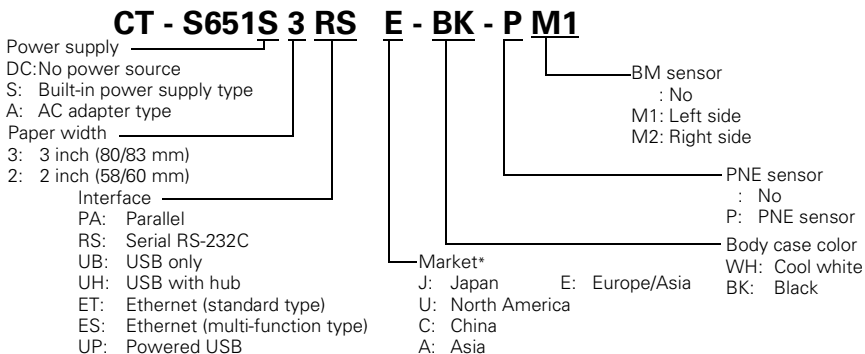
Make sure the following items are included with your printer.

- | | | | |
|-----------------------|--------|------------------------------|---|
| ● Printer: | 1 | ● Quick Start Guide: | 1 |
| ● Interface cover: | 1 | ● AC adapter*1: | 1 |
| ● AC power cord: | 1 | ● USB cable*2: | 1 |
| ● Power switch cover: | 1 | | |
| ● Sample paper roll: | 1 roll | Notes: | |
| ● CD-ROM: | 1 | *1: CT-S651A only | |
| | | *2: USB interface types only | |
| | | In designated markets | |



1.3 Model Classification

Model numbers indicate printer features according to the following system.



Note:

*: AC power cord, serial I/F screw, firmware and other specifications vary according to markets.

1.4 Basic Specifications

Item	Specifications					
Model	CT-S651					
Print method	Line thermal dot print method					
Print width *1	80 mm/640 dots, 72 mm/576 dots, 64 mm/512 dots, 54.5 mm/436 dots, 54 mm/432 dots, 52.5 mm/420 dots, 48 mm/384 dots, 45 mm/360 dots, 48.75 mm/390 dots, 68.25 mm/546 dots					
Dot density	8 × 8 dots/mm (203 dpi)					
Print speed	200 mm/s (fastest, print density 100%), 1600 dot-lines/s					
Number of print columns *2	—	Maximum number of characters (columns)				Dot configuration (dots)
	Paper width	83 mm	80 mm	60 mm	58 mm	
	Font					
	Font A	53	48	36	35	12 × 24
	Font B	71	64	48	46	9 × 17
Font C	80	72	54	52	8 × 16	
Character size*3	Font A: 1.50 × 3.00 mm Font B: 1.13 × 2.13 mm Font C: 1.00 × 2.00 mm					
Character type	Alphanumeric, international, PC437/850/852/857/858/860/863/864/865/866/WPC1252/katakana/Thai code 18					
User memory	384 KB (capable of storing user-defined characters and logos)					
Bar code types	UPC-A/E, JAN (EAN) 13/8 columns, ITF, CODE39, CODE128, CODABAR (NW-7), CODE93, PDF417, QR Code					
Line spacing	4.23 mm (1/6 inch) (changeable using commands)					
Paper roll	Paper roll: 83 ⁺⁰ ₋₁ mm/80 ⁺⁰ ₋₁ mm/60 ⁺⁰ ₋₁ mm/58 ⁺⁰ ₋₁ mm × maximum ϕ 83 mm Paper thickness: 65-75 μ m (core tube diameter: inner 12 mm/outer 18 mm) 75-85 μ m (core tube diameter: inner 25.4 mm/outer 32 mm)					
Interface	Serial (RS-232C compliant), parallel (IEEE 1284 compliant), USB, USB with hub, Ethernet, Powered USB					
Cash drawer kick-out	Supports 2 cash drawers					
Buffer size	4 k bytes/45 bytes					
Supply voltage	DC 24 V \pm 5%					
Power consumption	Approximately 45 W (normal printing), 3 W (standby)					
AC adapter *4 (36AD2, 36AD3)	Rated input: AC 100 to 240 V, 50/60 Hz, 150 VA Rated output: DC 24 V, 2.1 A					
Weight	CT-S651S: Approx. 1.9 kg, CT-S651A: Approx. 1.5 kg					
Outside dimensions	CT-S651S: 145 (W) × 192 (D) × 142 (H) mm CT-S651A: 145 (W) × 192 (D) × 114 (H) mm					
Operating temperature and humidity	5 to 45°C, 10 to 90% RH (no condensation)					
Storage temperature and humidity	-20 to 60°C, 10 to 90% RH (no condensation)					
Reliability	Print head life: 150 km, 200 million pulses (at normal temperature/humidity, using recommended paper and paper thickness) Auto cutter life: 2 million cuts (full cut), 1.6 million cuts (partial cut) (at normal temperature/humidity, using recommended paper and paper thickness)					
Safety standard *5	UL, C-UL, FCC Class A, TÜV-Bauart, CE Marking					

Notes:

*1: When paper width is 83, 80, 60, or 58 mm.

*2: The number of printable columns is selected using a memory switch.

The numbers of columns noted in this table refer to typical models. The number of columns varies depending on specifications.

*3: Characters appear small because the dimensions include a blank area surrounding each character.

*4: The 36AD2 is the AC adapter packaged as an accessory with the CT-S651A.

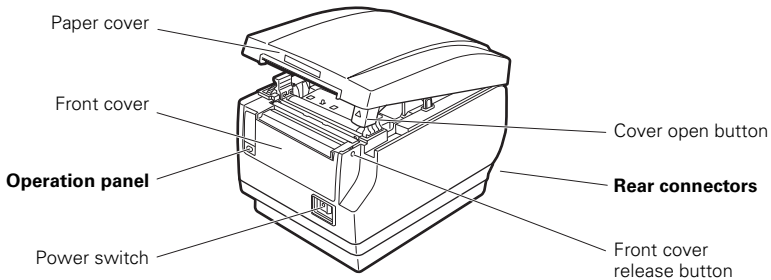
The 36AD3 is the AC adapter built in to the CT-S651S.

*5: Compliant if the Citizen Systems AC adapter (36AD2/36AD3) is used.

2. EXPLANATION OF PRINTER PARTS

2.1 Printer Appearance

Names of parts



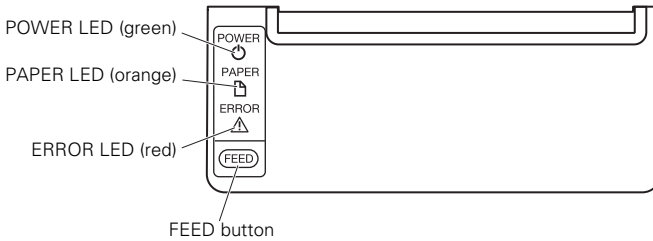
- Paper cover
Open to load paper.
- Cover open button
Use this button to open the paper cover.
- Front cover
Open and close this cover to clear a cutter lock.



Refer to 4.3 Clearing a Cutter Lock (2)

- Front cover release button
Press this button to open the front cover.
- Power switch
Press this switch to turn the power on or off.

Operation panel



- **POWER LED (green)**
Lights when the power is on, turns off when the power is off.
Flashes when data is incoming or a memory error has occurred.
- **PAPER LED (orange)**
Lights orange when paper is low (paper near-end) or there is no paper (paper end).
- **ERROR LED (red)**
Flashes if the print head is hot, the paper cover is open, a cutter lock occurs, and so forth.
- **FEED button**
Press this button to feed paper.
In case of a cutter lock, remove the cause of the lock, close the paper cover, and then press the FEED button.
The printer enters the mode for setting memory switches and running self-printing.



Refer to 4.4 Self-printing

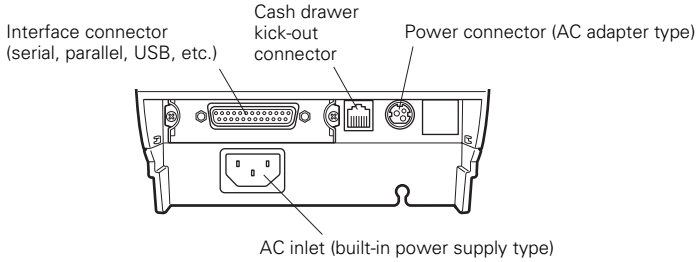


Refer to 4.6 Error Messages



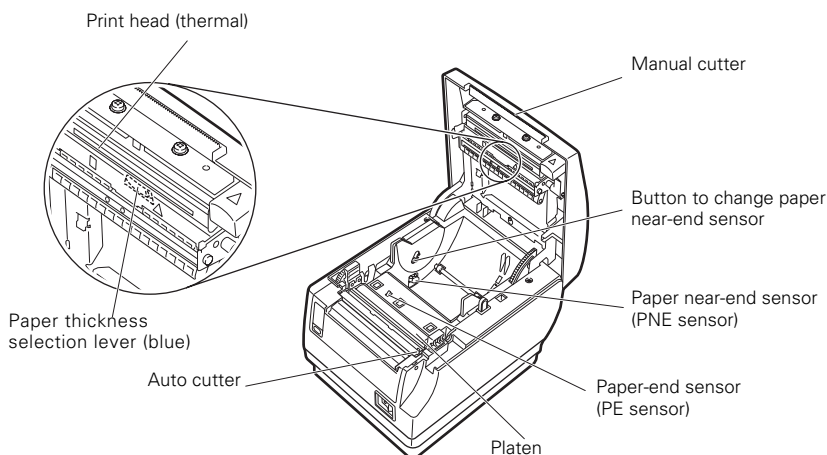
Refer to 5.3 Manual Setting of Memory Switches

Rear connectors



- **Interface connector (serial, parallel, USB, etc.)**
Connects to the interface cable.
The serial interface board is equipped with a DIP switch.
- **Cash drawer kick-out connector**
Connects to the cable from the cash drawer.
- **Power connector (AC adapter type)**
Connects to the AC adapter cable.
- **AC inlet (built-in power supply type)**
Connects to the AC power cord.

2.2 Inside the Paper Cover



- Platen
Feeds the paper.
Do not remove the platen except to do maintenance.
- Paper near-end sensor (PNE sensor)
Detects when the paper is near the end of the roll. Adjust the position of the sensor to determine when it detects the end of the paper is near.
- Button to change paper near-end sensor
Change the position of the paper near-end sensor to match the paper being used.



Refer to 3.7 Adjusting the Paper Near-end Sensor

- Manual cutter
For cutting the paper manually when printing is finished.
- Auto cutter
Automatically cuts the paper when printing is finished.



Refer to 5.3 Manual Setting of Memory Switches

- Print head (thermal)
Prints characters and graphic data on paper (paper rolls).

- Paper end sensor (PE sensor)
Detects when there is no paper. Printing stops when this sensor detects there is no paper.
- Paper thickness selection lever (blue)
Use this lever to select regular or thick paper according to the thickness of the paper being loaded. (Factory setting: 1)



CAUTION

Do not change the position of the paper thickness selection lever from the factory setting.

2.3 Other Built-in Functions

- Buzzer
Buzzes when errors occur or when operations or command operations are performed.



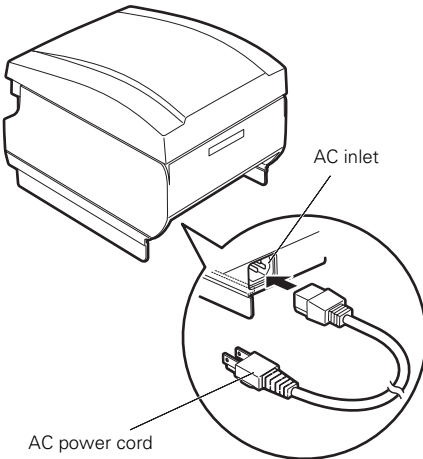
Refer to 4.6 Error Messages

- User memory
You can save user-defined logo and character data in this memory. Data remains stored in this memory even if the printer is turned off. For information on how to save data, refer to the Command Reference.
- Memory switch
Setting of various kinds of functions can be stored in memory. Settings remain stored in the memory even if the printer is turned off.

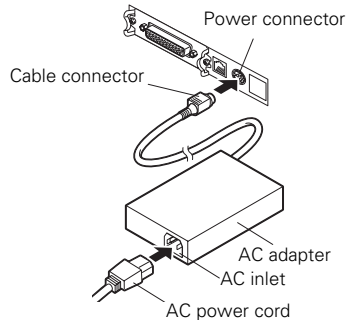
3. SETUP

3.1 Connecting the AC Power Cord

1. Turn off the power.
2.
 - For the built-in power type printer, connect the AC power cord to the AC inlet, and insert the plug into an electric outlet.
 - For the AC adapter type printer, connect the cable connector of the AC adapter to the power connector. Next, connect the AC power cord to the AC inlet, and insert the plug into an electric outlet.



Built-in power supply type



AC adapter type

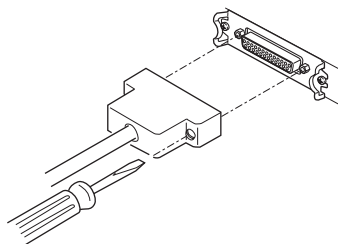


CAUTION

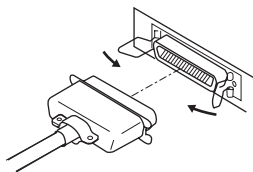
- Use only an AC adapter that complies with the specified ratings.
- Always hold the AC adapter's cable connector by the connector when removing or inserting it.
- Use an AC power source that does not also supply power to equipment that generates electromagnetic noise.
- Pulling on the AC power cord may damage it, cause a fire, electric shock, or break a wire.
- If a lightning storm is approaching, unplug the AC power cord from the electric outlet. A lightning strike may cause a fire or electric shock.
- Keep the AC power cord away from heat generating appliances. The insulation on the AC power cord may melt and cause a fire or electric shock.
- If the printer is not going to be used for a long time, unplug the AC power cord from the electric outlet.
- Place the AC power cord so that people do not trip on it.

3.2 Connecting Interface Cables

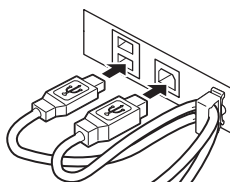
1. Turn off the power.
2. Orient the interface cable correctly and insert it into the interface connector.



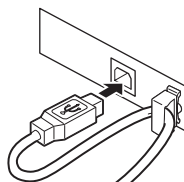
Serial interface



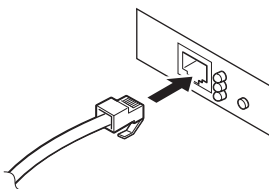
Parallel interface



USB interface (hub type)

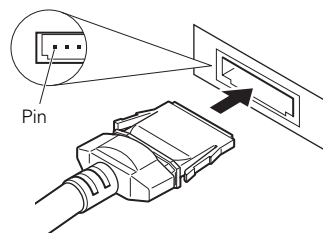


USB interface



Ethernet interface

Front view



Powered USB interface

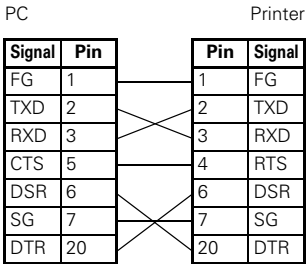


CAUTION

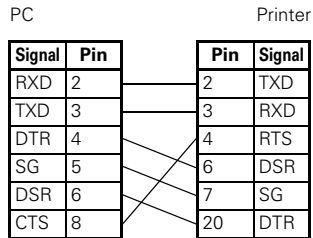
- **Always unplug the AC adapter from the printer before connecting the printer to a Powered USB interface. Failure to do so may damage the host PC. For information about installing a Powered USB interface, contact your Citizen Systems dealer.**
- Check the orientation of the Powered USB cable connector before connecting it. Insert it straight in so that the pins do not bend. Push it in until it clicks.
- When disconnecting the cable, always hold the connector.
- Be careful not to insert the USB interface cable into the cash drawer kick-out connector.
- To connect more than one printer to a single computer via a USB interface you must change the serial number of the USB interface.
- Hold the connector of the Ethernet interface cable perpendicular and straight when connecting or disconnecting it. Doing it at an angle may cause the connector to misconnect.

Use a serial interface cable with the connection layout shown below.

25-pin - 25-pin cable



9-pin - 25-pin cable

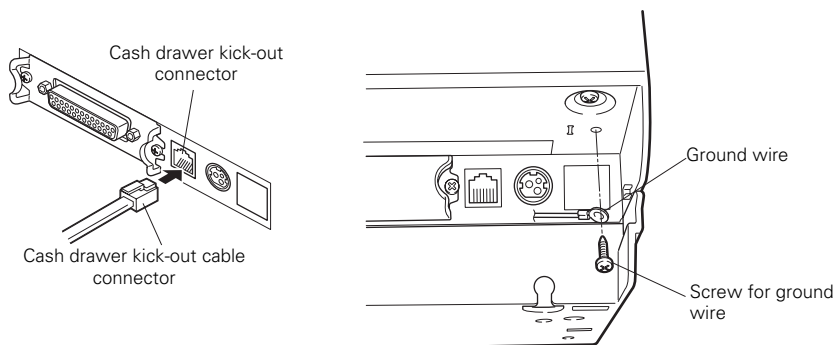


CAUTION

Place the interface cable so people do not trip on it.

3.3 Connecting the Cash Drawer

1. Turn off the power.
2. Confirm the orientation of the cash drawer kick-out cable connector and connect it to the cash drawer kick-out connector at the back of the printer.
3. Remove the screw for the ground wire.
4. Screw the cash drawer's ground wire to the body of the printer.



CAUTION

- Connect only the cash drawer kick-out cable connector to the cash drawer kick-out connector. (Do not connect a telephone line.)
- Signals cannot be output from the cash drawer kick-out connector while printing.
- Hold the connector of the drawer kick cable perpendicular and straight when connecting or disconnecting it. Doing it at an angle may cause the connector to misconnect.

(1) Connector pin configuration

No.	Signal	Function
1	FG	Frame ground
2	DRAWER1	Cash drawer 1 drive signal
3	DRSW	Cash drawer switch input
4	VDR	Cash drawer drive power supply
5	DRAWER2	Cash drawer 2 drive signal
6	GND	Signal ground (common ground on circuits)



Connector used:
 TM5RJ3-66 (Hirose) or equivalent
 Applicable connector:
 TM3P-66P (Hirose) or equivalent

(2) Electric characteristics

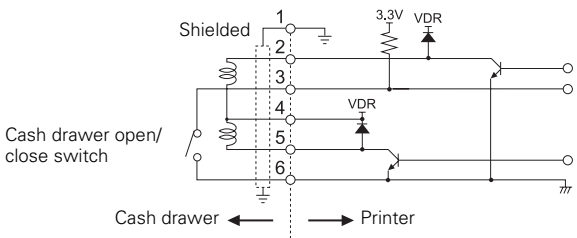
- 1) Drive voltage: 24 VDC
- 2) Drive current: Approx. 1 A max. (not to exceed 510 ms.)
- 3) DRSW signal: Signal levels: "L" = 0 to 0.8 V, "H" = 2 to 3.3 V

(3) DRSW signal

DRSW signal status can be tested with the DLE+EOT, GS+a, or GS+r command or at pin 34 on the parallel interface port.

(4) Drive circuit

Cash drawer kick-out connector

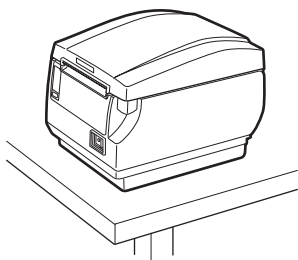


CAUTION

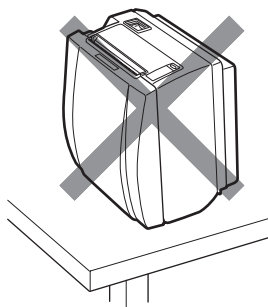
- Cash drawers 1 and 2 cannot be operated at the same time.
- The solenoid used for the cash drawer should be 24 Ω or more. Do not allow the electric current to exceed 1 A. Excessive current could damage or burn out the circuits.

3.4 Precautions for Installing the Printer

This printer can only be positioned horizontally. It cannot be positioned vertically or on a wall.



Horizontal position



Vertical position



CAUTION

Do not use the printer under the following conditions.

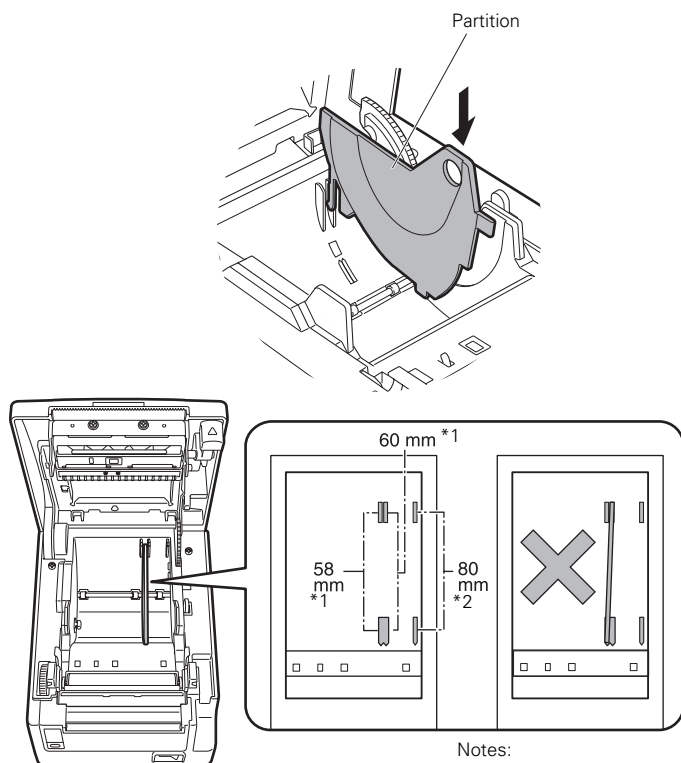
- Locations subject to vibration or instability.
- Locations that are very dirty or dusty.
- Locations where the printer is not level.
- **The printer may fall and cause an injury.**
- **The quality of printing may deteriorate.**
- Oriented other than as specified.
- **The printer may malfunction, be damaged, or cause an electric shock.**

3.5 Partition for Paper Roll

Set the partition to the width of the paper roll you are loading.
The partition is set at the factory to the position shown below.

- For 3-inch type: 80-mm wide paper roll
- For 2-inch type: 58-mm wide paper roll, 60-mm wide paper roll
(2-sheet partition installed.)

1. Turn off the power.
2. Press up on the cover open button to open the paper cover.
3. Press in the position shown by the arrow and set the partition in a slot that matches the width of the paper roll you are using. However, to use an 83-mm wide paper roll, remove the partition. Or, when you are using a 60-mm wide paper roll with the 2-inch type, remove the partition installed for 58-mm.
4. Refer to "5.3 Manual Setting of Memory Switches" to change the paper width settings.



Notes:

*1: 2-inch type (58/60 mm)

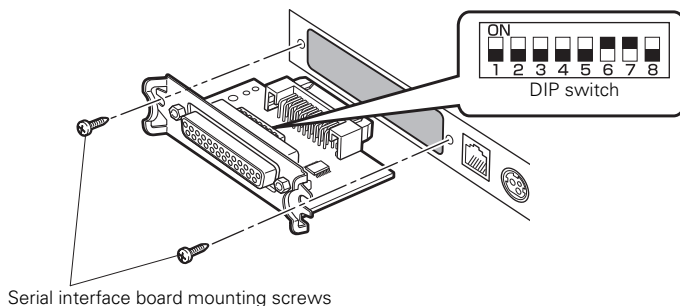
*2: 3-inch type (80/83 mm)

CAUTION

Make sure the partition is not slanted when setting it for 58-mm or 60-mm paper rolls.

3.6 Setting the DIP Switch on the Serial Interface Board

1. Turn off the printer and unplug the power cord from the electric outlet.
2. Remove the mounting screws of the serial interface board.
3. Remove the serial interface board from the printer.
4. Set the DIP switch according to the following table.



CAUTION

When setting the DIP switch, do not remove any screws except the serial interface board mounting screws.

The function of each switch is shown below. (Shaded values are factory settings. However, factory settings differ depending on the destination market.)

Switch no.	Function	ON	OFF
1	Communication condition setting	According to DIP switch settings	According to memory switch settings
2	Hand shake	XON/XOFF	DTR/DSR
3	Bit length	7 bits	8 bits
4	Parity check	Yes	No
5	Parity selection	Even parity	Odd parity
6	Baud rate selection	Refer to table below.	
7			
8	INIT	Reset	Invalid

Baud rate selection

Baud rate (bps)	Switch no.	
	6	7
2400	OFF	OFF
4800	ON	OFF
9600	OFF	ON
19200	ON	ON

When switch no. 1 is set to OFF, you can use a command or a memory switch to select 1200, 38400, 57600, or 115200 bps.

3.7 Adjusting the Paper Near-end Sensor

Change the settings of the paper near-end sensor to set the position at which the near-end of the paper is detected.

1. Use a pointed object, such as a pen, to gently press the button to change the paper near-end sensor.
2. Press and hold down the button while moving the paper near-end sensor up and down. The sensor positions are shown below for the various diameters of the paper roll used.

(Unit: mm)

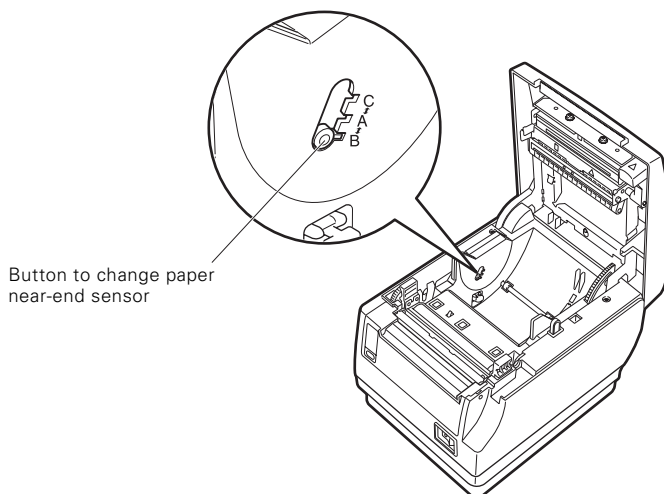
Sensor position	Exterior diameter when detected as near end	Exterior/ interior diameter of core of paper roll used
A	Approximately $\phi 31$	$\phi 18/\phi 12$
B*	Approximately $\phi 23$	$\phi 18/\phi 12$
C	Paper near-end sensor function is off	

Note:

*: Position of sensor when shipped from factory. However, factory settings differ depending on the destination market.

CAUTION

The diameter of the roll of paper that is detected is an estimate. Some variations may occur depending on the paper.

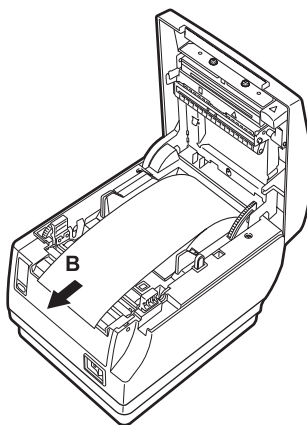
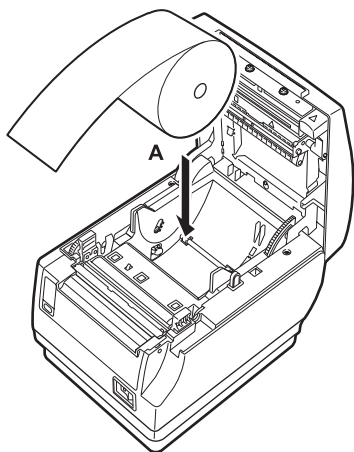
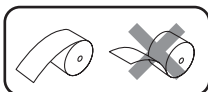


3.8 Loading Paper

1. Turn on the power.
2. Press up on the cover open button to open the paper cover.
3. Load the paper roll so that the printable side of the paper is facing up, as shown by arrow A.
4. Pull a few cm of paper straight out in the direction of arrow B.
5. Close the paper cover until you hear a click. Paper is fed and cut automatically (by the factory setting).



Refer to 5.3 Manual Setting of Memory Switches



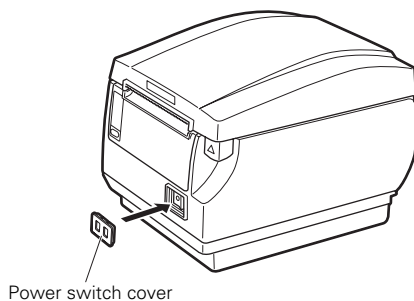
CAUTION

- Always use the specified types of paper rolls.
- Confirm that the paper roll is set correctly.
- If the paper is skewed and not coming straight out of the paper cover, open it and straighten the paper.
- Always pull a few cm of paper straight out of the printer if you open the paper cover while paper is loaded.
- Press on the center of the paper cover to close it securely.
- Be careful of paper cuts while loading the paper.
- Do not touch the print head, manual cutter, or auto cutter while the paper cover is open. Doing so may cause a burn or cut.

3.9 Attaching the Power Switch Cover

Attach this cover to prevent the power switch from being used.

1. **Press the power switch cover onto the power switch compartment until it clicks.**

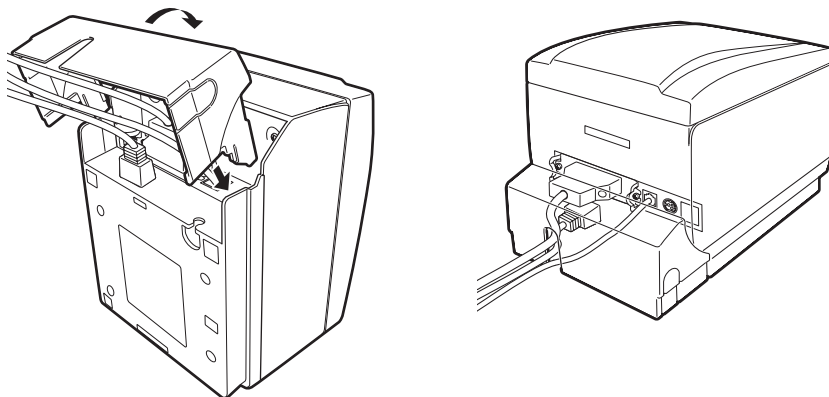


Put a screwdriver or other pointed object into the grooves on the power switch cover to remove it.

3.10 Attaching the Interface Cover

Attach the interface cover to the back of the printer.
The shape of the interface cover is different depending on the type of power source.

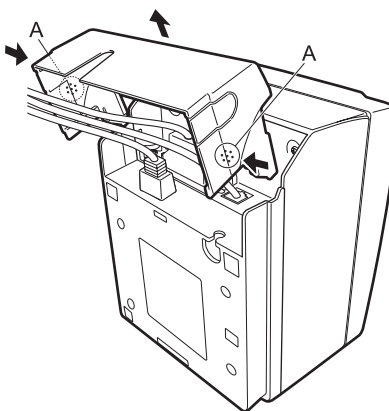
1. Press the interface cover as shown in the diagram until you hear it click.



CT-S651S

3.11 Removing the Interface Cover

Press in on both sides at the point indicated by A to remove the interface cover.



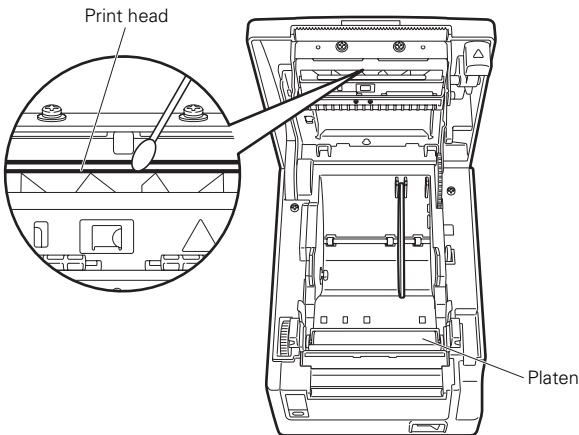
CT-S651S

4. MAINTENANCE AND TROUBLESHOOTING

4.1 Periodic Cleaning

A dirty print head or platen may reduce printing quality or cause malfunctions. We recommend cleaning the printer periodically (every 2 to 3 months) as shown below.

1. Turn off the power.
2. Press up on the cover open button to open the paper cover.
3. Wait a few minutes until the print head cools.
4. Use a cotton swab dampened with ethyl alcohol to wipe off any dirt and dust that is on the print head and platen.

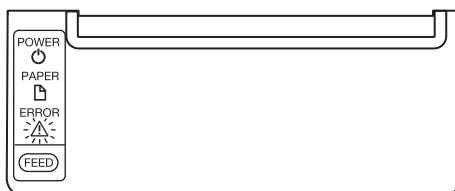


CAUTION

- The print head is hot immediately after printing. Do not touch it.
- Do not touch the print head with bare hands or metal objects.

4.2 Clearing a Cutter Lock (1)

The ERROR LED flashes and the auto cutter blade remains extended because a foreign object or paper jam is obstructing it.



If the ERROR LED is flashing, clear the locked cutter as shown below.

1. **Turn on the power.**
2. **Press up on the cover open button to open the paper cover.**
3. **Remove any jammed paper including any scraps of paper. (Remove the paper roll that is loaded in the holder also.)**
4. **Reload the paper roll and close the paper cover.**

CAUTION

- The print head is hot immediately after printing. Do not touch it.
- Do not touch the print head with bare hands or metal objects.

After doing the procedure in “Clearing a Cutter Lock (1)” and then opening the paper cover, if the blade of the auto cutter is extended, do the procedure in “Clearing a Cutter Lock (2)”.



Refer to 4.3 Clearing a Cutter Lock (2)

4.3 Clearing a Cutter Lock (2)

The paper cover is designed to be opened by pressing up on the cover open button if the cutter locks. If the blade of the auto cutter still remains extended, use the following procedure to clear the locked cutter.

1. **Turn off the printer and unplug the power cord from the electric outlet.**
2. **Press up on the cover open button to open the paper cover.**
3. **While pressing on the front cover release button with a pen or something, slide the front cover about 10 mm upward.**
4. **Rotate the front cover forward in the direction of arrow A.**

- 5. Lift the protective sheet and turn the cutter gear in the direction of arrow B to return the auto cutter to a position where the paper cover can be opened.**

Turn the cutter gear until the auto cutter blade retracts in the direction of arrow C. If the blade of the auto cutter does not move when you turn the cutter gear in the direction of arrow B, turn it in the other direction.

- 6. Remove whatever caused the cutter to lock.**

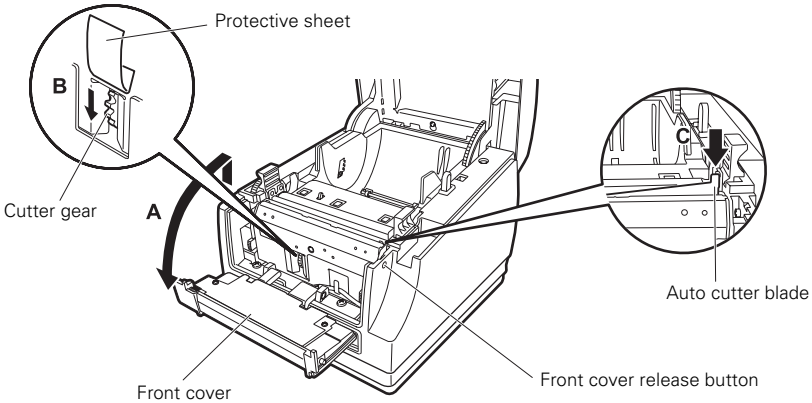
- 7. Close the front cover.**

Rotate the front cover in the opposite direction of arrow A, and push on the top of the front cover until it clicks.

- 8. Load a paper roll and close the paper cover.**

- 9. Insert the power cord plug into an electric outlet and turn the power on.**

Check that the POWER LED lights.

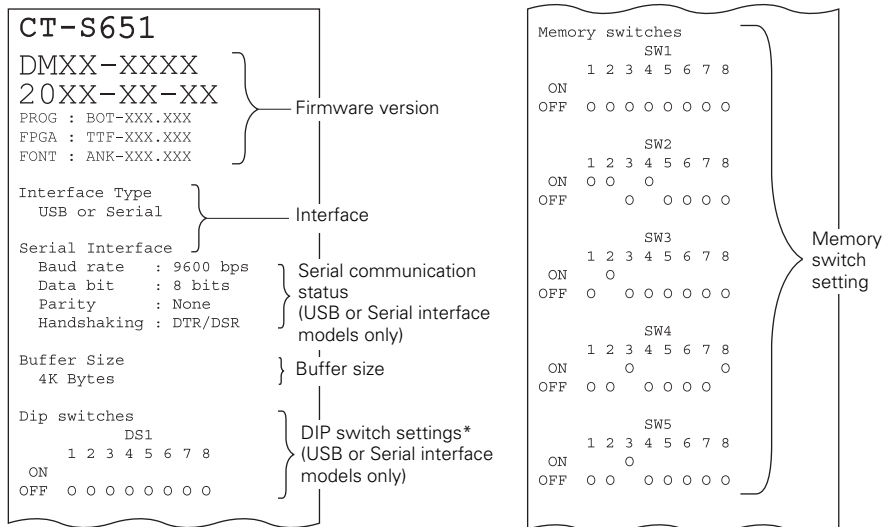


CAUTION

- Before starting to do maintenance work, be sure to turn off the printer and unplug the power cord from the electric outlet.
- Be careful not to touch the manual cutter while the front cover is open.
- Be careful not to touch the opening for the auto cutter while the paper cover is open.
- The print head is hot immediately after printing. Do not touch it.
- Do not touch the print head with bare hands or metal objects.
- If the above procedure does not retract the auto cutter, contact your Citizen Systems dealer.

4.4 Self-printing

While paper is loaded, press and hold the FEED button while turning the power on. Hold the FEED button down for about one second and then release it to start self-printing. The printer prints its model name, version, DIP switch settings, memory switch settings, and a list of built-in fonts.



Note:

*: Printers with a USB interface do not have DIP switches, so the DIP switches all appear off on the self-printing printout.

4.5 Hexadecimal Dump Printing

Print received data in hexadecimal. If problems such as missing or duplicated data occur, this function allows you to check whether or not the printer is receiving data correctly.

How to do hexadecimal dump printing

1. **Load paper.**
2. **While the paper cover is open, press and hold the FEED button while turning the power on, and then close the paper cover.**
3. **The printer prints "HEX dump print mode" followed by the received data printed in hexadecimal numbers and some characters.**

How to stop hexadecimal dump printing

Do one of the following to stop printing.

- Press the FEED button three times in a row
- Turn off the power
- Receive a reset command from an interface



CAUTION

- The printer prints "." if there is no character corresponding to the data.
- None of the commands function during hexadecimal dump printing.
- If print data does not cover a complete line, press the FEED button to advance the paper.

Print example

HEX dump print mode

```
61 62 63 64 65 66 67 0A 0D 0D 0D 0D abcdefg.....  
0D 0D 0D                                     .....
```

4.6 Error Messages

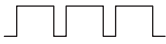


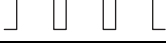



- Paper-end
The end of the roll of paper is detected at two stages, paper near-end and paper-end.
When paper near-end is detected, the PAPER LED lights. Prepare a new paper roll.
When paper end is detected, the PAPER LED and ERROR LED light. Load a new paper roll.
- Paper cover open
Do not open the paper cover during printing. If the paper cover is opened, the ERROR LED lights or flashes. Check the paper and always pull a few cm of paper straight out of the printer before closing the paper cover. Printing resumes. Sending a command to resume printing may be required depending on the memory switch setting.
- Cutter locked
If the auto cutter cannot move because of a paper jam or something else, the ERROR LED flashes. Remove the cause of the trouble and press the FEED button. If the auto cutter still does not operate and the paper cover does not open, refer to "4.3 Clearing a Cutter Lock (2)".



Refer to 4.3 Clearing a Cutter Lock (2)

- Print head hot
When you print dense characters, dark images, or for an extended time in a hot environment, the print head temperature increases. If the print head exceeds a specified temperature, the printer stops printing and waits for the print head to cool. When this happens, the ERROR LED flashes. Printing resumes automatically when the print head cools.

The status display for various messages is shown below.

Status	POWER LED (green)	PAPER LED (orange)	ERROR LED (red)	Buzzer *3
Paper near-end	Lights	Lights	—	—
Paper-end	Lights	Lights	Lights	Yes
Paper cover open or front cover open *1	Lights	—	Lights	Yes
Paper cover open or front cover open *2	Lights	—		Yes
Cutter locked	Lights	—		Yes
Memory error	—	—		Yes
Print head hot	Lights	—		Yes
Low-voltage error	Lights	—		Yes
High-voltage error	Lights	—		Yes
Waiting for macro to execute	Lights	—		—

Notes:

*1: If the paper cover or front cover is open in standby.

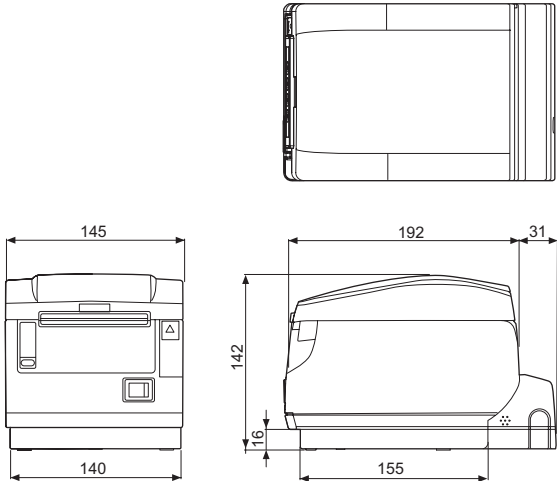
*2: If the paper cover or front cover is open when printing or feeding paper.

*3: Buzzer sounds when MSW5-1 (buzzer setting) is set to ON.

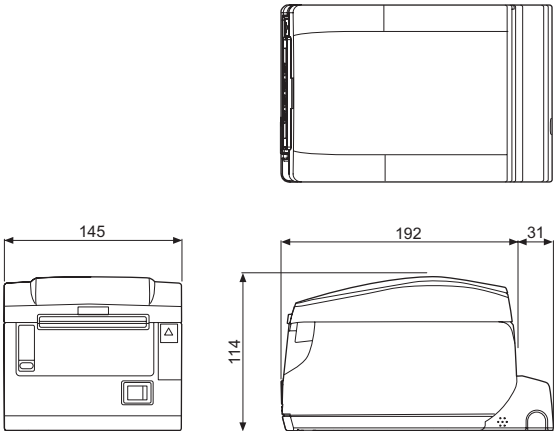
5. OTHER

5.1 External Views and Dimensions

(Unit: mm)



Built-in power supply type



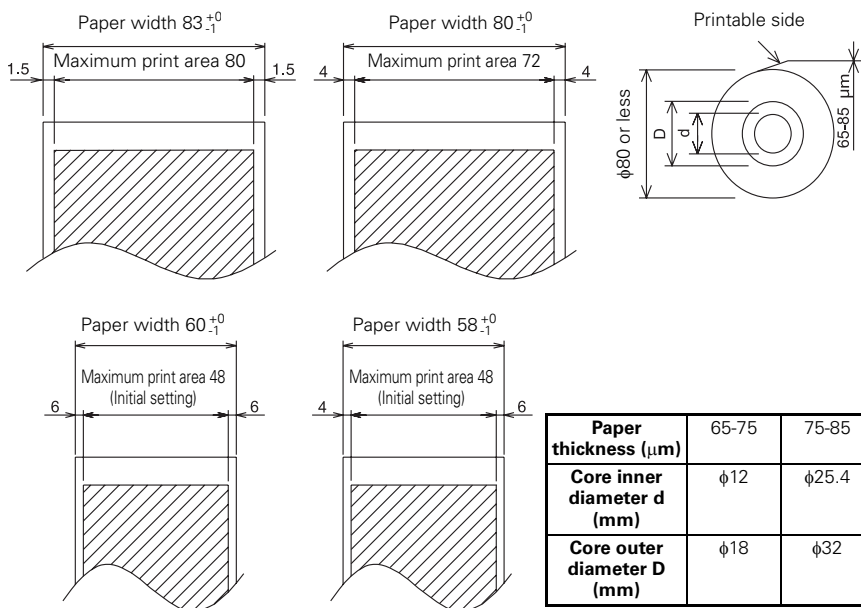
AC adapter type

5.2 Printing Paper

Use the paper shown in the following table or paper of the same quality.

Paper type	Product name
Recommended thermal roll paper	TF50KS-E2D, TF50KS-E or TF60KS-E from Nippon Paper PD150R or PD160R from Ohji Paper PA220AG, HP220A, HP220AB-1, F230AA, P220AB, or PB670 (2-color paper) from Mitsubishi Paper

(Unit: mm)



CAUTION

Use thermal paper that is wound as follows:

- Not creased and fits tight to the core.
- Not folded.
- Not glued to the core.
- Rolled with the printable side out.

5.3 Manual Setting of Memory Switches

Memory switches are used to set various printer settings. The memory switches can be set manually (set by hand on the printer) or by commands. This section explains how to perform manual settings.

For information on how to set the memory switches using commands, please refer to the Command Reference.

Quick setting mode

The settings for the memory switches for a replacement printer's manufacturer, model, paper width, and character spacing can be set at the same time to the optimum settings.

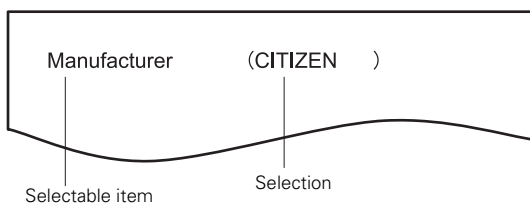
Do the settings while confirming the selected items on the printout.

1. **Load paper.**
2. **While the paper cover is open, press and hold the FEED button while turning the power on.**

3. **Press the FEED button three times and close the paper cover.**

The printer enters memory switch quick setting mode.

The selectable item "Manufacturer" and the selection are printed.



4. **Press the FEED button.**

A selection is printed in order through the cycle each time the FEED button is pressed.

Press the FEED button until the selection you want is printed.

5. **Press the FEED button for at least two seconds.**

The selection is set.

If there is another selectable item, it and the selection are printed.

6. **Repeat steps 4 and 5 to select and set the printer's model, paper width, character spacing (EPSON T88 only).**

When all the items are set, "Save To Memory" is printed.

7. **Press the FEED button for at least two seconds.**

The changed memory switch settings are saved and a list of them is printed.

The printer exits quick setting mode when printing is finished.

Selected item

Manufacturer	Model	Paper width	Character space	
CITIZEN	CBM1000	58 mm	—	
		80 mm	—	
	CT-S300	58 mm	—	
		80 mm	—	
	CT-S2000	58 mm	—	
		60 mm	—	
		80 mm	—	
		83 mm	—	
	EPSON	T88	58 mm	0dot 1dot
			80 mm	0dot 1dot
203dpi			58 mm	—
			60 mm	—
80 mm		—		

Automatic memory switch settings

MSW2-4 Full Col Print	MSW3-7 CBM1000 Mode	MSW8-1 Print Width	MSW6-2 Character Space
Auto linefeed	Valid	432dots	—
Auto linefeed	Valid	576dots	—
WaitData	Invalid	384dots	—
WaitData	Invalid	576dots	—
Auto linefeed	Valid	432dots	—
Auto linefeed	Valid	436dots	—
Auto linefeed	Valid	576dots	—
Auto linefeed	Valid	640dots	—
WaitData	Invalid	360dots	0dot
WaitData	Invalid	390dots	1dot
WaitData	Invalid	512dots	0dot
WaitData	Invalid	546dots	1dot
WaitData	Invalid	420dots	—
WaitData	Invalid	436dots	—
WaitData	Invalid	576dots	—

Individual setting mode

Set the memory switches individually.

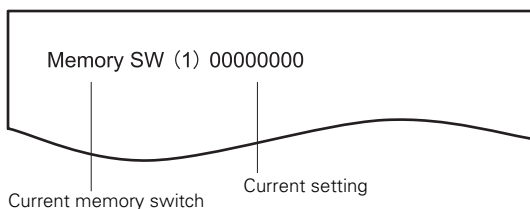
Do the settings while confirming the memory switch function and settings on the printout.

1. **Load paper.**
2. **While the paper cover is open, press and hold the FEED button while turning the power on.**
3. **Press the FEED button twice and close the paper cover.**

The printer enters the mode for setting memory switches individually.

The printer prints "Memory SW (1)" and the current setting, 0 (off) or 1 (on).

(The current settings for memory switches 7 to 10 are not printed.)



4. **Press the FEED button.**

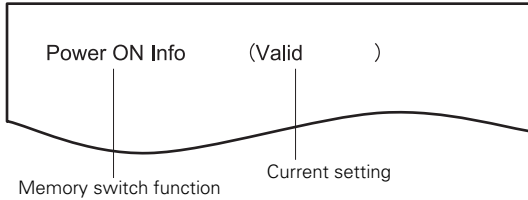
The list of memory switches cycles through in order from "Memory SW (1)" → "Memory SW (2)" → ... "Memory SW (10)" → "Save To Memory" → "Memory SW (1)" → each time the FEED button is pressed.

Press the FEED button until the number for the memory switch you want to change is printed.

5. Press the FEED button for at least two seconds.

A setting for the memory switch is printed, through the cycle, each time the FEED button is pressed for at least two seconds.

Press the FEED button for at least two seconds to cycle through the list until the function of the memory switch you want to change is printed.



6. Press the FEED button.

A setting is printed each time the FEED button is pressed in order through the cycle. When the current settings are printed, the ERROR LED lights.

Press the FEED button until the setting you want is printed.

7. Press the FEED button for at least two seconds.

The selected settings are set.

The next memory switch function and settings are printed.

8. Repeat steps 5 to 7 to change different functions for the current memory switch number.

9. Open the paper cover and close it.

The changed memory switch settings are printed.

10. Repeat steps 4 to 9 to change functions for a different memory switch number.

11. Press the FEED button until "Save To Memory" is printed.

12. Press the FEED button for at least two seconds.

The changed memory switch settings are saved and a list of them is printed.

The printer exits individual setting mode when printing is finished.

Memory switch initialization

Set all the memory switches to the factory settings.

1. Do steps 1 through 3 of the procedure to enter individual setting mode.

2. Press the FEED button until "Save To Memory" is printed.

3. Open the paper cover.

4. Press the FEED button for at least two seconds.

All memory switches change to the factory settings.

5. Close the paper cover.

The function of each memory switch is shown in the following table. (Shaded values are factory settings.)

Switch no.	Function	OFF	ON
MSW1-1	Power ON Info	Valid	Not Send
MSW1-2	Buffer Size	4K bytes	45 bytes
MSW1-3	Busy Condition	Full/Err	Full
MSW1-4	Receive Error	Print"?"	No Print
MSW1-5	CR Mode	Ignored	LF
MSW1-6	Reserved	Fixed	—
MSW1-7	DSR Signal	Invalid	Valid
MSW1-8	Init Signal	Invalid	Valid
MSW2-1	Reserved	—	Fixed
MSW2-2	Auto Cutter	Invalid	Valid
*1 MSW2-3	Spool Print	Invalid	Valid
MSW2-4	Full Col Print	LineFeed	WaitData
MSW2-5	Resume aft PE	Next	Top
MSW2-6	Reserved	Fixed	—
MSW2-7	Reserved	Fixed	—
MSW2-8	PNE Sensor	Valid	Invalid
MSW3-1	Resume Ctrr Err	Valid	Invalid
MSW3-2	PE signal by PNE	Valid	Invalid
MSW3-3	Parallel 31 Pin	Valid	Invalid
MSW3-4	Reserved	Fixed	—
MSW3-5	Reserved	Fixed	—
MSW3-6	Reserved	Fixed	—
MSW3-7	CBM1000 Mode	Invalid	Valid
MSW3-8	Resume Open Err	Close	Command
MSW4-1	Reserved	Fixed	—
MSW4-2	Reserved	Fixed	—
MSW4-3	Feed&Cut at TOF	Invalid	Valid
MSW4-4	Reserved	Fixed	—
MSW4-5	Reserved	Fixed	—
MSW4-6	Reserved	Fixed	—
MSW4-7	Reserved	Fixed	—
MSW4-8	Partial Only	Invalid	Valid
MSW5-1	Buzzer	Valid	Invalid
MSW5-2	Line Pitch	1/360	1/406
MSW5-3	USB Mode	Virtual COM	Printer Class
MSW5-4	Reserved	Fixed	—
MSW5-5	Reserved	Fixed	—
MSW5-6	Reserved	Fixed	—
MSW5-7	Reserved	Fixed	—
MSW5-8	Reserved	Fixed	—

Switch no.	Function	OFF	ON
MSW6-1	Act. For Driver	Invalid	Valid
MSW6-2	Character Space	Invalid	Valid
MSW6-3	Reserved	Fixed	—
MSW6-4	Reserved	Fixed	—
MSW6-5	Reserved	Fixed	—
MSW6-6	Reserved	Fixed	—
MSW6-7	Reserved	Fixed	—
MSW6-8	Reserved	Fixed	—

Switch no.	Function	Initial setting	Setting value
*2 MSW7-1	Baud Rate	9600 bps	1200 bps, 2400 bps, 4800 bps, 9600 bps, 19200 bps, 38400 bps, 57600 bps, 115200 bps
*2 MSW7-2	Data Length	8bits	7bits, 8bits
*2 MSW7-3	Stop Bit	1bit	1bit, 2bits
*2 MSW7-4	Parity	NONE	NONE, EVEN, ODD
*2 MSW7-5	Flow Control	DTR/DSR	DTR/DSR, XON/XOFF
*2 MSW7-6	DMA Control	Valid	Valid, Invalid
*2 MSW7-7	VCom Protocol	PC Setting	PC Setting, DTR/DSR, XON/XOFF
MSW8-1	Print Width	576dots (3-inch type) 384dots (2-inch type)	640dots, 576dots, 512dots, 436dots, 432dots, 420dots, 384dots, 360dots, 390dots, 546dots, 390dots, 546dots
MSW8-2	Paper Type	1 Color Normal	1 Color Normal, 2 Color Normal
*3 MSW8-3	Top Margin	11mm	3mm, 4mm, 5mm, 6mm, 7mm, 8mm, 9mm, 10mm, 11mm
*3 MSW8-4	Line Gap Reduce	Invalid	Invalid, 3/4, 2/3, 1/2, 1/3, 1/4, 1/5, ALL
*4 MSW8-7	Liner Free Mode	Invalid	Invalid, 1h, 6h, 12h, 18h, 24h, 5m, 10m, 15m, 20m, 30m
MSW9-1	Code Page	PC 437	PC 437, Katakana, PC 850,858, PC 860, PC 863, PC 865, PC 852, PC 866, PC 857, WPC1252, Space page, PC 864, Thai Code 18
MSW9-2	Int'Char Set	USA	USA, France, Germany, England, Denmark, Sweden, Italy, Spain, Japan, Norway, Denmark 2, Spain 2, Latin America, Korea, Croatia, China
MSW9-3	Kanji	OFF	ON, OFF
MSW9-4	JIS/Shift JIS	JIS	JIS, Shift JIS
MSW10-1	Print Density	100 %	70 %, 75 %, 80 %, 85 %, 90 %, 95 %, 100 %, 105 %, 110 %, 115 %, 120 %, 125 %, 130 %, 135 %, 140 %
MSW10-2	Print Speed	Level 9	Level 1, Level 2, Level 3, Level 4, Level 5, Level 6, Level 7, Level 8, Level 9
MSW10-3	ACK Timing	Before Busy	Before Busy, Same Period, After Busy
*4 MSW10-4	Emulation Type	ESC/POS	ESC/POS, CBM1, CBM2
MSW10-5	Reserved		
MSW10-6	Buzzer Sound	Tone 2	Tone 1, Tone 2, Tone 3, Tone 4

Notes:

*1: If print data is very dense, the print head is hot, data transmission is slow, or some other conditions, the motor and printing may occasionally stop which causes white stripes in the printout. To print high-density data, set MSW2-3 (Spool Print) to ON to reduce striping, although this increases the time before printing starts.

For a serial interface, increase the transmission speed to prevent the motor from stopping.

*2: The values for memory switches MSW7-X are only effective when DIP switch no. 1 is set to OFF.

*3: Enabled for firmware version Dxxx-2500 and later.

*4: Enabled for firmware version Dxxx-2300 and later.

FRANÇAIS

PRÉCAUTIONS GÉNÉRALES

- Veuillez à lire le présent manuel avant d'utiliser le produit. Après l'avoir lu, le conserver dans un emplacement sûr, aisément accessible pour une future référence.
- Les informations contenues dans ce manuel sont sujettes à des changements sans préavis.
- La reproduction ou le transfert d'une partie ou de tout ce document par n'importe quel moyen est interdite sans l'autorisation de Citizen Systems.
- Notez que Citizen Systems ne peut être tenu responsable des conséquences du fonctionnement, quelles que soient les omissions, erreurs ou fautes d'impression présentes dans ce manuel.
- Citizen Systems n'est pas responsable d'aucun problème causé par l'utilisation des options ou produits consommables qui ne sont pas indiqués dans ce manuel.
- Sauf en cas de spécification contraire dans ce manuel, ne pas essayer d'entretenir, démonter ou réparer cet appareil.
- Noter que Citizen Systems n'est pas responsable d'aucun dommage attribuable à une opération/manipulation incorrecte ou à un environnement inexact d'opération qui ne sont pas indiqués dedans ce manuel.
- Les données sont prévues fondamentalement pour un usage provisoire, et ne sont pas stockées pendant une longue période ou de manière permanente.
Notez que Citizen Systems ne peut être tenu responsable des dommages ou pertes de profits résultant de pertes de données occasionnées par des accidents, des réparations, des tests ou autres.
- Si vous trouvez des omissions ou des erreurs ou si vous avez des questions, veuillez contacter votre revendeur Citizen Systems.
- S'il manque des pages ou si des pages sont inversées, contactez votre revendeur Citizen Systems afin qu'il procède à leur remplacement.

CITIZEN is a registered trade mark of Citizen Watch Co., Ltd, Japan

CITIZEN es una marca registrada de Citizen Watch Co., Ltd, Japón

Company names and product names in this manual are trademarks or registered trademarks of relevant companies.

Copyright© 2018 by CITIZEN SYSTEMS JAPAN CO., LTD.

PRÉCAUTIONS DE SÉCURITÉ ..QUI DEVRAIENT ÊTRE OBSERVÉES RIGOREUSEMENT

Veillez lire attentivement ces PRÉCAUTIONS DE SÉCURITÉ avant d'utiliser l'appareil pour la première fois.

La manipulation incorrecte peut avoir comme conséquence des accidents (incendie, décharge électrique ou blessures). Afin d'éviter des blessures aux opérateurs, tiers, ou des dommages à la propriété, des symboles d'avertissement spéciaux sont utilisés dans le Mode d'Emploi pour indiquer les items importants à observer rigoureusement.

- Après avoir lu ce mode d'emploi, conservez-le dans un endroit sûr et facilement accessible pour référence ultérieure.
- Certaines des descriptions contenues dans ce mode d'emploi peuvent ne pas s'appliquer à certains modèles d'imprimantes.

Ce qui suit indique le degré de danger et de dommage encouru si l'imprimante n'est pas utilisée correctement, sans tenir compte des instructions indiquées par les symboles d'avertissement.



AVERTISSEMENT

Le non-respect des précautions indiquées par ce symbole peut provoquer des blessures mortelles ou graves.



ATTENTION

Le non-respect des consignes indiquées par ce symbole peut provoquer des blessures ou des dommages matériels.



Ce symbole sert à attirer votre attention sur des points importants.



Ce symbole sert à vous avertir d'un risque d'électrocution ou de dommage électrostatique.



Ce symbole indique la nécessité de débrancher l'imprimante de la prise murale.



Ce symbole indique que l'alimentation électrique doit être mise à la terre.



Ce symbole est utilisé pour indiquer l'information utile, telle que procédures, instructions ou autres données dans ce genre.



Ce symbole sert à indiquer des actions interdites.

PRÉCAUTIONS À L'INSTALLATION DE L'IMPRIMANTE



AVERTISSEMENT

- N'utilisez pas et ne rangez pas cet appareil dans un endroit où il sera exposé à :
 - * des flammes ou de l'air humide.
 - * la lumière directe du soleil.
 - * de l'air chaud ou aux radiations d'un appareil de chauffage.
 - * de l'air salin ou des gaz corrosifs.
 - * une atmosphère mal ventilée.
 - * des réactions chimiques en laboratoire.
 - * de l'huile, des particules d'acier ou de la poussière contenue dans l'air.
 - * de l'électricité statique ou des champs magnétiques puissants.
- **Le non-respect de ces avertissements risque de provoquer des pannes de l'imprimante, une surchauffe, des émissions de fumée, un incendie ou une électrocution.**



- Ne laissez pas pénétrer des objets étrangers et ne renversez pas de liquide dans l'imprimante. Ne placez pas non plus d'objet sur l'imprimante.
- Ne faites pas tomber d'objets métalliques, tels que des trombones, des punaises ou des vis, dans l'imprimante.
- Ne placez pas de vase, de pot de fleurs ou d'objets contenant de l'eau sur l'imprimante.
- Ne renversez pas de café, de boissons gazeuses ou tout autre liquide dans l'imprimante.
- Ne vaporisez pas d'insecticide ou tout autre produit chimique liquide sur l'imprimante.
- **Faire tomber objet métallique accidentellement dans l'imprimante risque de provoquer une panne, un incendie ou une électrocution. Dans ce cas, mettez immédiatement l'imprimante hors tension, débranchez-la de la prise d'alimentation et faites appel à votre revendeur local Citizen Systems.**



Ne manipulez pas l'imprimante de la manière suivante:

- Ne soumettez pas l'imprimante à de forts impacts ou à des secousses violentes (ne marchez pas sur l'imprimante, ne la faites pas tomber, ne la heurtez pas, etc.).
- Ne tentez pas de démonter ou de modifier l'imprimante.
- **Le non-respect des procédures correctes risque de provoquer une panne de l'imprimante, une surchauffe, une émission de fumée, un incendie ou une électrocution.**



- Installez, utilisez et rangez l'imprimante hors de la portée des enfants.
- **Les appareils électriques risquent de provoquer des blessures ou des accidents inattendus s'ils sont manipulés ou utilisés de manière incorrecte.**
- **Laissez le cordon d'alimentation et les câbles de signaux hors de la portée des enfants. Les enfants doivent également être interdits d'accès aux pièces internes de l'imprimante.**
- **Le sac en plastique dans lequel l'imprimante est emballée doit être mis au rebut correctement et conservé hors de la portée des enfants. Une suffocation peut se produire si le sac est mis sur la tête.**



ATTENTION

N'utilisez pas l'imprimante dans les conditions suivantes.

- Évitez les emplacements soumis à des vibrations ou une certaine instabilité.
- Évitez les emplacements où l'imprimante n'est pas de niveau.
- **L'imprimante pourrait tomber et entraîner des blessures.**
- **La qualité de l'impression peut se détériorer.**
- N'obstruez pas les orifices d'aération de l'imprimante.
- Ne placez rien sur l'imprimante.
- Ne couvrez pas et n'enroulez pas l'imprimante dans de la toile ou des couvertures.
- **De la chaleur pourrait s'accumuler et déformer le boîtier ou déclencher un incendie.**
- Évitez d'utiliser l'imprimante à proximité d'une radio ou d'un téléviseur ou de l'alimenter à partir de la même prise électrique que ces appareils.
- Éviter d'utiliser l'imprimante connectée ensemble avec un câble ou une corde qui ne présente aucune protection contre les parasites. (Pour les interconnexions, utilisez des câbles armés ou torsadés et des noyaux en ferrite, ou d'autres dispositifs anti-parasites).
- Eviter d'utiliser l'imprimante avec un appareil produisant une source de bruit puissante.
- **L'imprimante peut avoir un effet négatif sur les transmissions radio ou télévisées. Dans certains cas également, les appareils électriques proches peuvent influencer l'imprimante et causer des erreurs de données ou des pannes.**
- Installée dans un sens autre que ceux indiqués.
- **Un défaut de fonctionnement, une panne, ou une décharge électrique peuvent se produire.**



- Reliez l'imprimante à la terre.
- **Les fuites électriques peuvent entraîner des décharges électriques.**
- Ne connectez pas la terre de l'imprimante aux éléments suivants :
 - * Tuyaux de gaz
 - **Une explosion de gaz peut se produire.**
 - * Terre d'une ligne téléphonique
 - * Paratonnerre
 - **En cas de foudre, une surtension de courant importante peut provoquer un incendie ou des chocs électriques.**
 - * Conduites d'eau
 - **Les tuyaux d'eau en plastique ne doivent pas être utilisés pour la mise à la terre. (Ceux approuvés par le Département des Eaux peuvent être utilisés.)**
- Avant de connecter ou de déconnecter le fil de terre qui mène à ou qui provient de l'imprimante, débranchez toujours l'imprimante de la prise électrique.



PRÉCAUTIONS À LA MANIPULATION DE L'IMPRIMANTE



AVERTISSEMENT

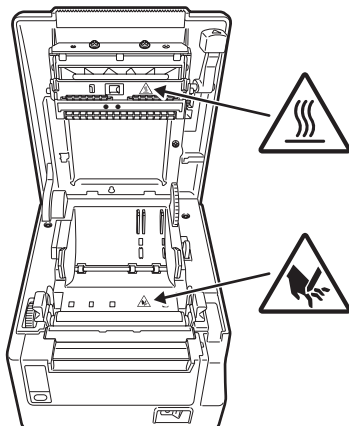
Observez les précautions suivantes pour l'alimentation électrique et le cordon d'alimentation:

- Ne branchez pas et ne débranchez pas le cordon d'alimentation avec les mains mouillées.
- Utilisez l'imprimante uniquement avec la tension d'alimentation et la fréquence spécifiées.
- Utilisez uniquement l'adaptateur secteur spécifié avec l'imprimante.
- Vérifiez si la prise sur laquelle l'imprimante est alimentée a une capacité suffisante.
- N'alimentez pas l'imprimante à partir d'un circuit d'alimentation ou d'une prise de courant servant déjà à d'autres appareils.
- Ne branchez pas le cordon d'alimentation dans une prise électrique comportant de la poussière ou des débris.
- N'utilisez pas un cordon déformé ou endommagé.
- Ne déplacez pas l'imprimante lorsqu'elle est sous tension.
- **Toute manipulation incorrecte peut entraîner une panne de l'imprimante, des émissions de fumée, un incendie ou une décharge électrique.**
- **Une surcharge peut entraîner une surchauffe et une inflammation du cordon d'alimentation ou le déclenchement du disjoncteur.**
- Ne posez pas d'objet sur le cordon d'alimentation. Ne placez pas l'imprimante à un emplacement où le cordon d'alimentation risque d'être piétiné.
- N'utilisez pas et ne transportez pas l'imprimante avec le cordon d'alimentation plié, tordu ou tiré.
- Ne tentez pas de modifier inutilement le cordon d'alimentation.
- Ne placez pas le cordon d'alimentation à proximité d'un appareil de chauffage.
- **Le non-respect de ces avertissements peut provoquer la rupture des fils ou de l'isolation, ce qui peut entraîner une fuite électrique, une décharge électrique ou une panne de l'imprimante. Si le cordon d'alimentation subit des dommages, veuillez contacter votre revendeur Citizen Systems.**
- Ne laissez rien autour de la prise électrique.
- Alimentez l'imprimante à partir d'une prise électrique pratique et facile d'accès en cas d'urgence.
- **Retirez la fiche de manière à arrêter immédiatement l'imprimante en cas d'urgence.**
- Introduisez à fond la fiche d'alimentation dans la prise.
- Si vous ne comptez pas utiliser l'imprimante pendant une période de temps prolongée, déconnectez-la de la prise électrique.
- Tenez la prise et le connecteur quand vous effectuez le branchement ou le débranchement du cordon du secteur ou du câble de signal après avoir désactivé l'imprimante et l'appareil qui est connecté à elle.



ATTENTION

L'étiquette d'avertissement est apposée à l'emplacement indiqué sur la figure suivante. Lisez soigneusement les consignes de manipulation avant d'utiliser l'imprimante.

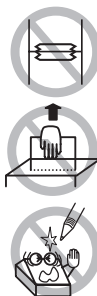


CETTE ÉTIQUETTE SIGNALLE LE RISQUE DE BRÛLURES LIÉES À LA TEMPÉRATURE ÉLEVÉE DE LA TÊTE D'IMPRESSION ET LE RISQUE DE COUPURES OCCASIONNÉES PAR LES MÉCANISMES DE DÉCOUPE MANUELS ET AUTOMATIQUES LORSQUE LE CAPOT DU PAPIER EST OUVERT.

- Ne pas transporter cette imprimante avec un rouleau de papier à l'intérieur.
- **Une panne de l'imprimante ou des dommages peuvent survenir.**

Pour éviter les problèmes de fonctionnement ou les pannes éventuelles, observez ce qui suit:

- N'ouvrez pas le capot papier pendant l'impression.
- Évitez de faire fonctionner l'imprimante sans rouleau de papier correctement chargé.
- Évitez l'usage de papier non conforme aux spécifications.
- **Ceci risque de fournir une qualité d'impression médiocre.**
- Évitez d'utiliser des morceaux de papier déchirés ou du papier collé avec du ruban adhésif plastique.
- Évitez de tirer à la main en forçant du papier déjà chargé.
- Évitez d'utiliser un dispositif pointu pour manipuler les touches du panneau.



- Veillez à insérer fermement les fiches de câble dans leur douille de connexion.
- **Un branchement croisé risque d'endommager les pièces électroniques internes de l'imprimante ou le matériel du système hôte.**
- Utilisez l'imprimante uniquement avec des dispositifs ayant des spécifications solénoïde pour le connecteur de l'ouverture du tiroir-casse.
- **Le non-respect de cette précaution risque de provoquer un problème de fonctionnement ou une panne.**



ATTENTION

Pour éviter d'empirer les pannes ou les problèmes de l'imprimante, observez ce qui suit:

- Lorsque le capot du papier est ouvert, veillez à ne pas toucher le mécanisme de découpe manuel situé dans la fente d'éjection du papier.
- Ne touchez pas à la surface d'impression de la tête thermique.
- Ne touchez pas aux pièces mobiles (mécanisme de découpe du papier, engrenages, pièces électriques actives, par exemple) lorsque l'imprimante fonctionne.
- En cas de problème, ne tentez pas de réparer l'imprimante. Confiez-la au service de Citizen Systems pour la réparation.
- Veillez à ne pas vous coincer les mains ou les doigts dans les capots.
- Faites attention aux bords tranchants de l'imprimante. Ils risquent de vous blesser ou de provoquer des dommages matériels.
- **Risque de provoquer une électrocution, des brûlures ou des blessures.**



Si l'imprimante émet de la fumée, une odeur étrange ou un bruit anormal lors de l'impression, quittez immédiatement la session d'impression en cours et débranchez l'imprimante de la prise électrique.

ENTRETIEN JOURNALIER

Observez les précautions suivantes pour l'entretien quotidien.

- Lors du nettoyage de l'imprimante, mettez-la toujours hors tension et débranchez-la de la prise électrique.
- Utilisez un chiffon doux et sec pour nettoyer la surface du boîtier de l'imprimante.
Pour les taches tenaces, utilisez un chiffon doux légèrement imbibé d'eau.
N'utilisez jamais de solvants de nettoyage organiques, tels que de l'alcool, du diluant, du trichloroéthylène, du benzène ou de la cétone.
N'utilisez jamais de chiffon de nettoyage traité de manière chimique.
- Pour enlever la poussière de papier, utiliser une brosse souple.



ATTENTION

- **La tête thermique conserve une température dangereusement élevée immédiatement après usage. Laissez-la refroidir avant de démarrer les travaux d'entretien.**

Consultez le site suivant pour obtenir de la documentation, des pilotes, des utilitaires et d'autres informations.

<http://www.citizen-systems.co.jp/english/support/index.html>

TABLE DES MATIÈRES

1. PRÉSENTATION GÉNÉRALE.....	9
1.1 Fonctionnalités.....	9
1.2 Déballage.....	10
1.3 Classification des modèles	10
1.4 Spécifications de base.....	11
2. EXPLICATION DES COMPOSANTS DE L'IMPRIMANTE.....	12
2.1 Apparence extérieure de l'imprimante	12
2.2 À l'intérieur du capot papier	15
2.3 Autres fonctions intégrées.....	16
3. INSTALLATION	17
3.1 Branchement du cordon d'alimentation CA.....	17
3.2 Branchement des câbles d'interface	18
3.3 Branchement du tiroir-caisse.....	20
3.4 Précautions pour l'installation de l'imprimante.....	22
3.5 Partition pour rouleau de papier	23
3.6 Réglage du commutateur DIP sur la carte d'interface série.....	24
3.7 Réglage du capteur de fin de papier proche	26
3.8 Chargement du papier	27
3.9 Fixation du capot du commutateur d'alimentation	28
3.10 Fixation du capot d'interface	29
3.11 Retrait du capot d'interface.....	29
4. ENTRETIEN ET DÉPANNAGE.....	30
4.1 Nettoyage périodique.....	30
4.2 Déverrouillage d'un verrou du système de découpe (1)	31
4.3 Déverrouillage d'un verrou du système de découpe (2)	31
4.4 Auto test	33
4.5 Impression hexadécimale avec vidage de la mémoire	34
4.6 Messages d'erreur	35
5. DIVERS	37
5.1 Vues et dimensions externes.....	37
5.2 Papier d'impression.....	38
5.3 Réglage manuel des commutateurs de mémoire.....	39

1. PRÉSENTATION GÉNÉRALE

L'imprimante thermique par ligne de la série CT-S651 est conçue pour une utilisation avec une grande variété d'équipements, y compris des postes terminaux, des terminaux de points de vente et des terminaux de cuisine. Ces imprimantes possèdent des fonctionnalités étendues de façon qu'elles puissent être utilisées avec une grande plage d'applications.

1.1 Fonctionnalités

- Impression à grande vitesse (200 mm/s)
- Design si compact qu'il peut être installé n'importe où (83 mm maximum (3 pouces), taille du rouleau de papier)
- La construction imperméable à l'eau empêche l'eau d'entrer par le dessus
- Le papier est alimenté par l'avant de sorte que l'imprimante peut être placée dans des espaces réduits
- Choisissez parmi deux modèles contenant des rouleaux de papier de 83/80 mm (3 pouces) ou de 60/58 mm (2 pouces)
- Types avec alimentation intégrée ou adaptateur CA disponibles
- État de l'imprimante et erreurs indiqués par DEL et un signal sonore
- Muni d'un système de découpe rapide et silencieux
- Bourrages de papier de découpe faciles à éliminer
- Interface interchangeable
- Interface d'arrêt du tiroir-caisse intégrée
- Commutateurs de mémoire permettant une personnalisation
- Caractères et logos définis par l'utilisateur dans la mémoire de l'utilisateur
- Prise en charge des codes à barres et des codes à barres 2D
- Impression bicolore possible (avec le papier spécifié)
- Pilote et logiciel utilitaire fournis

1.2 Déballage

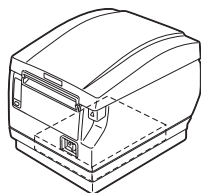
Assurez-vous que les éléments suivants sont fournis avec l'imprimante.

- Imprimante: 1
- Capot d'interface: 1
- Cordon d'alimentation CA: 1
- Capot du commutateur d'alimentation: 1
- Rouleau de papier échantillon: 1 rouleau
- CD-ROM: 1
- Guide de démarrage rapide: 1
- Adaptateur CA*1: 1
- Câble USB*2: 1

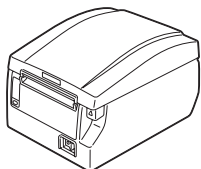
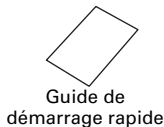
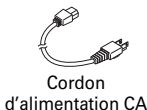
Remarques:

*1: CT-S651A uniquement

*2: Types à interface USB uniquement
Pour les marchés désignés



CT-S651S
(type à alimentation intégrée)
36AD3 adaptateur CA intégré



CT-S651A
(type à adaptateur CA)



1.3 Classification des modèles

Les numéros de modèle indiquent les fonctionnalités des imprimantes en fonction du système suivant.

CT - S651S 3 RS E - BK - P M1

Alimentation

DC: Pas de source d'alimentation

S: Type à alimentation intégrée

A: Type à adaptateur CA

Largeur de papier

3: 80/83 mm (3 pouces)

2: 58/60 mm (2 pouces)

Interface

PA: Parallèle

RS: Série RS-232C

UB: USB uniquement

UH: USB avec concentrateur

ET: Ethernet (type standard)

ES: Ethernet (type multi-fonction)

UP: Powered USB

Marché*

J: Japon

E: Europe/Asie

U: Amérique du Nord

A: Asie

C: Chine

Capteur BM

: Non

M1: Côté gauche

M2: Côté droit

Capteur PNE

: Non

P: Capteur PNE

Couleur du boîtier

WH: Blanc

BK: Noir

Remarque:

*: Le cordon d'alimentation CA, vis d'interface série, programme ainsi que d'autres spécifications varient en fonction du marché.

1.4 Spécifications de base

Rubrique	Caractéristiques					
Modèle	CT-S651					
Méthode d'impression	Méthode d'impression matricielle thermique par ligne					
Largeur d'impression *1	80 mm/640 points, 72 mm/576 points, 64 mm/512 points, 54,5 mm/436 points, 54 mm/432 points, 52,5 mm/420 points, 48 mm/384 points, 45 mm/360 points, 48,75 mm/390 points, 68,25 mm/546 points					
Densité de point	8 × 8 points/mm (203 dpi)					
Vitesse d'impression	200 mm/s (le plus rapide, densité d'impression de 100%), 1600 lignes de points/s					
Nombre de colonnes d'impression *2	—	Nombre de caractères maximum (colonnes)				Configuration des points (points)
	Largeur de papier	83 mm	80 mm	60 mm	58 mm	
	Police					
	Police A	53	48	36	35	
	Police B	71	64	48	46	
Police C	80	72	54	52	8 × 16	
Taille des caractères*3	Police A: 1,50 × 3,00 mm Police C: 1,00 × 2,00 mm Police B: 1,13 × 2,13 mm					
Type de caractère	Alphanumérique, international, PC437/850/852/857/858/860/863/864/865/866/WPC1252/katakana/Thai 18					
Mémoire utilisateur	384 Ko (capable de stocker les caractères et les logos définis par l'utilisateur)					
Types de codes de barres	UPC-A/E, JAN (EAN) 13/8 colonnes, ITF, CODE39, CODE128, CODABAR (NW-7), CODE93, PDF417, QR Code					
Espacement de lignes	4,23 mm (1/6 pouce) (modifiable en utilisant les commandes)					
Rouleau de papier	Rouleau de papier: 83 ⁺⁰ ₋₁ mm/80 ⁺⁰ ₋₁ mm/60 ⁺⁰ ₋₁ mm/58 ⁺⁰ ₋₁ mm × maximum ø83 mm Épaisseur papier : 65-75 µm (diamètre du noyau du rouleau: intérieur 12 mm/ extérieur 18 mm) 75-85 µm (diamètre du noyau du rouleau: intérieur 25,4 mm/extérieur 32 mm)					
Interface	Série (conforme à RS-232C), Parallèle (conforme à IEEE 1284), USB, USB avec concentrateur, Ethernet, Powered USB					
Arrêt du tiroir-caisse	Prend en charge 2 tiroirs caisse					
Taille de tampon	4 k octets/45 octets					
Tension d'alimentation	CC 24 V ±5%					
Consommation électrique	Environ 45 W (impression normale), 3 W (attente)					
Adaptateur CA *4 (36AD2, 36AD3)	Entrée nominale: 100 à 240 V CA, 50/60 Hz, 150 VA Sortie nominale: 24 V CC, 2,1 A					
Poids	CT-S651S: Environ 1,9 kg, CT-S651A: Environ 1,5 kg					
Dimensions externes	CT-S651S: 145 (L) × 192 (P) × 142 (H) mm CT-S651A: 145 (L) × 192 (P) × 114 (H) mm					
Température et humidité de fonctionnement	De 5 à 45°C, 10 à 90% RH (sans condensation)					
Température et humidité de stockage	De -20 à 60°C, 10 à 90% RH (sans condensation)					
Fiabilité	Durée de vie de la tête d'impression: 150 km, 200 millions d'impulsions (à une température et humidité normale et en utilisant le papier recommandé et l'épaisseur de papier recommandée) Durée de vie du système de découpe automatique: 2 millions de découpes (découpe complète), 1,6 millions de découpes (découpe partielle) (à une température et humidité normale et en utilisant le papier recommandé et l'épaisseur de papier recommandée)					
Standard de sécurité *5	UL, C-UL, FCC Class A, TÜV-Bauart, CE Marking					

Remarques:

*1: Quand la largeur de papier est de 83, 80, 60 ou 58 mm.

*2: Le nombre de colonnes imprimables est sélectionné avec le commutateur de mémoire.

Le nombre de colonnes noté dans ce tableau se rapporte à des modèles typiques. Le nombre de colonnes varie en fonction des spécifications.

*3: Les caractères apparaissent plus petits parce que les dimensions comprennent une zone blanche autour de chaque caractères.

*4: Le 36AD2 est l'adaptateur CA livré en tant qu'accessoire avec le CT-S651A.

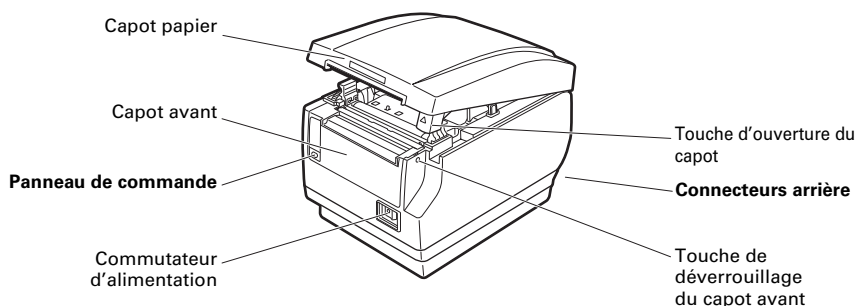
Le 36AD3 est l'adaptateur CA intégré dans le modèle CT-S651S.

*5: Compatible si l'adaptateur CA de Citizen Systems (36AD2/36AD3) est utilisé.

2. EXPLICATION DES COMPOSANTS DE L'IMPRIMANTE

2.1 Apparence extérieure de l'imprimante

Nom des composants



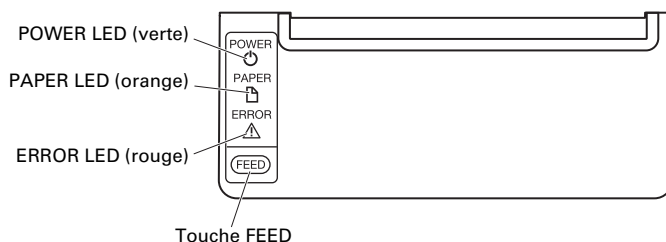
- **Capot papier**
Ouvrez pour charger le papier.
- **Touche d'ouverture du capot**
Utilisez cette touche pour ouvrir le capot papier.
- **Capot avant**
Ouvrez et fermez ce capot pour déverrouiller le verrou du système de découpe.



Reportez-vous à 4.3 Déverrouillage d'un verrou du système de découpe (2)

- **Touche de déverrouillage du capot avant**
Appuyez sur cette touche pour ouvrir le capot avant.
- **Commutateur d'alimentation**
Appuyez sur ce commutateur pour mettre l'appareil sous ou hors tension.

Panneau de commande



- **POWER LED (verte)**
S'allume lorsque l'appareil est sous tension, s'éteint lorsque l'appareil est hors tension.
Clignote lorsque des données sont en cours de réception ou lorsqu'une erreur mémoire est survenue.
- **PAPER LED (orange)**
S'allume en orange lorsqu'il ne reste pas beaucoup de papier (fin de papier proche) ou qu'il n'y a plus de papier (pas de papier).
- **ERROR LED (rouge)**
Clignote si la tête d'impression est chaude, si le capot papier est ouvert, si un verrou de système de découpe se produit, etc..
- **Touche FEED**
Appuyez sur cette touche pour faire avancer le papier.
En cas de verrou du système de découpe, éliminez la cause du verrouillage, fermez le capot papier, puis appuyez sur la touche FEED.
L'imprimante entre en mode pour le réglage des commutateurs de mémoire et l'exécution d'un auto test.



Reportez-vous à 4.4 Auto test

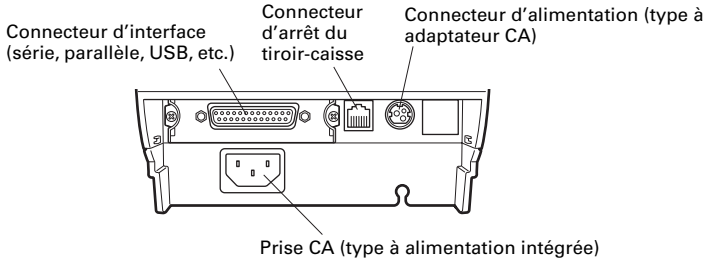


Reportez-vous à 4.6 Messages d'erreur



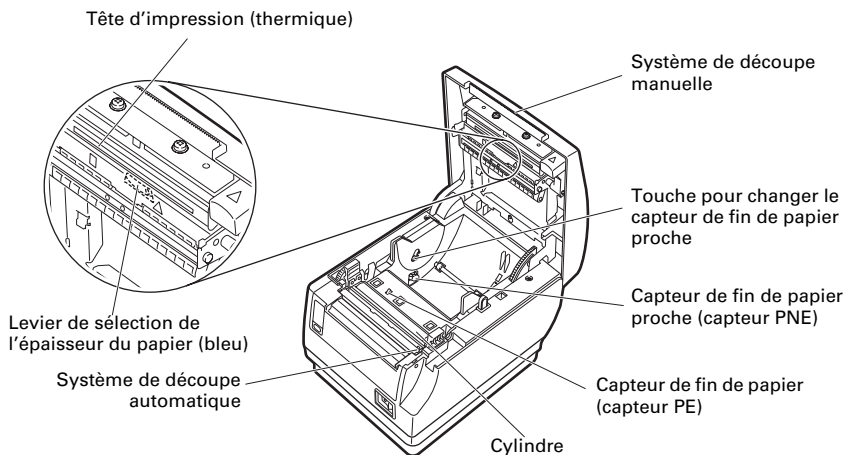
Reportez-vous à 5.3 Réglage manuel des commutateurs de mémoire

Connecteurs arrière



- **Connecteur d'interface (série, parallèle, USB, etc.)**
Connecté au câble d'interface.
La carte d'interface série est munie d'un commutateur DIP.
- **Connecteur d'arrêt du tiroir-caisse**
Connecté au câble du tiroir-caisse.
- **Connecteur d'alimentation (type à adaptateur CA)**
Connecté au câble de l'adaptateur CA.
- **Prise CA (type à alimentation intégrée)**
Connecté au cordon d'alimentation CA.

2.2 À l'intérieur du capot papier



- **Cylindre**
Fait avancer le papier.
Ne déposez pas le cylindre sauf pour l'entretien.
- **Capteur de fin de papier proche (capteur PNE)**
Détection quand le papier est proche de la fin du rouleau. Ajustez la position du capteur pour déterminer quand il détecte que la fin du papier est proche.
- **Touche pour changer le capteur de fin de papier proche**
Changez la position du capteur de fin de papier proche en fonction du papier utilisé.



Reportez-vous à 3.7 Réglage du capteur de fin de papier proche

- **Système de découpe manuelle**
Pour couper le papier manuellement quand l'impression est terminée.
- **Système de découpe automatique**
Coupe automatiquement le papier quand l'impression est terminée.



Reportez-vous à 5.3 Réglage manuel des commutateurs de mémoire

- **Tête d'impression (thermique)**
Imprime les caractères et les données graphiques sur le papier (rouleaux de papier).

- Capteur de fin de papier (capteur PE)
Détection quand il n'y a pas de papier. L'impression s'arrête quand ce capteur détecte qu'il n'y a pas de papier.
- Levier de sélection de l'épaisseur du papier (bleu)
Utilisez ce levier pour choisir un papier ordinaire ou épais en fonction de l'épaisseur du papier chargé. (Réglage d'origine: 1)



ATTENTION

Ne changez pas la position du levier de sélection de l'épaisseur du papier réglée en usine.

2.3 Autres fonctions intégrées

- Vibreur
Un signal sonore est émis en cas d'erreur ou quand des opérations ou des commandes sont effectuées.



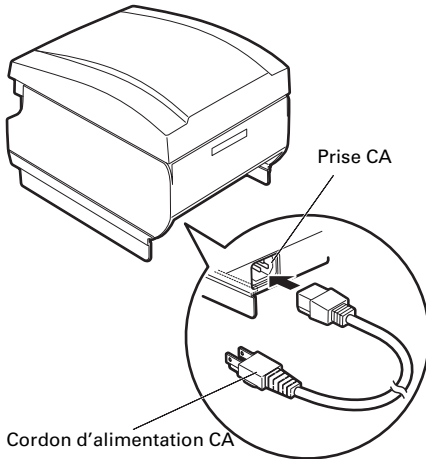
Reportez-vous à 4.6 Messages d'erreur

- Mémoire utilisateur
Vous pouvez sauvegarder un logo défini et des caractères définis par l'utilisateur dans cette mémoire. Les données restent stockées dans cette mémoire même si l'imprimante est mise hors tension. Pour savoir comment sauvegarder des données, reportez-vous à la Référence des commandes.
- Commutateur de mémoire
Le réglage de divers types de fonctions peut être mémorisé. Les réglages restent stockés dans la mémoire même si l'imprimante est mise hors tension.

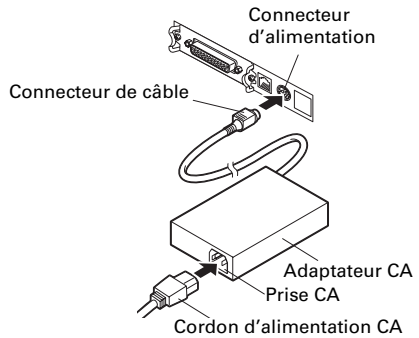
3. INSTALLATION

3.1 Branchement du cordon d'alimentation CA

1. Mettez l'appareil hors tension.
2. ● Pour l'imprimante à alimentation intégrée, connectez le cordon d'alimentation CA sur la prise CA et branchez la fiche sur une prise électrique.
● Pour l'imprimante à adaptateur CA, connectez le connecteur de câble de l'adaptateur CA au connecteur d'alimentation. Ensuite, connectez le cordon d'alimentation CA à la prise CA, et branchez la fiche sur une prise électrique.



Type à alimentation intégrée



Type à adaptateur CA

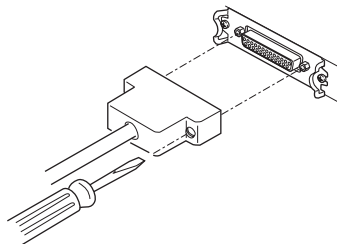


ATTENTION

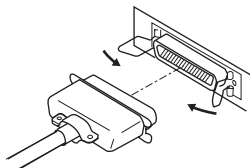
- Utilisez uniquement un adaptateur CA compatible avec les valeurs spécifiées.
- Tenez toujours le connecteur de câble de l'adaptateur CA par le connecteur quand vous le branchez ou le débranchez.
- Utilisez une source d'alimentation CA qui n'est pas aussi utilisée pour alimenter un appareil qui génère du bruit électromagnétique.
- Tirer directement sur le cordon d'alimentation CA peut l'endommager, et être la cause d'un incendie, d'un choc électrique ou de la rupture d'un fil.
- En cas d'approche d'un orage, débranchez le cordon d'alimentation CA de la prise électrique. La foudre pourrait provoquer un incendie ou un choc électrique.
- Maintenez le cordon d'alimentation CA éloigné des appareils de chauffage. L'isolant du cordon d'alimentation CA peut fondre et entraîner un incendie ou un choc électrique.
- Si vous n'avez pas l'intention d'utiliser l'imprimante pendant une longue période, débranchez le cordon d'alimentation CA de la prise électrique.
- Placez le cordon d'alimentation CA de façon que personne ne marche dessus.

3.2 Branchement des câbles d'interface

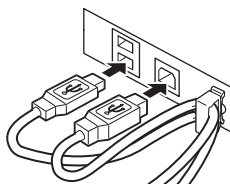
1. Mettez l'appareil hors tension.
2. Orientez correctement le câble d'interface et introduisez-le dans le connecteur d'interface.



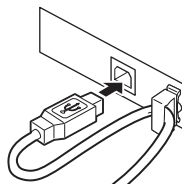
Interface série



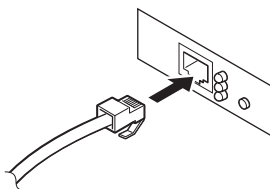
Interface parallèle



Interface USB (type à concentrateur)

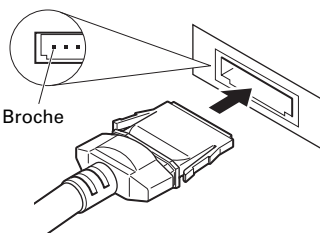


Interface USB



Interface Ethernet

Vue de face



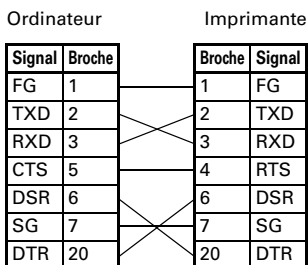
Interface Powered USB

ATTENTION

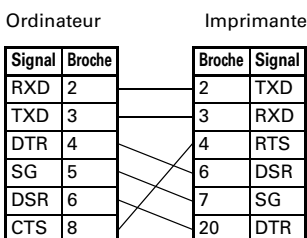
- **Débranchez toujours l'adaptateur CA de l'imprimante avant de raccorder l'imprimante à une interface Powered USB. Ne pas suivre cette recommandation risque d'endommager l'ordinateur hôte. Pour de plus amples informations concernant l'installation d'une interface Powered USB, contactez votre revendeur de systèmes Citizen.**
- Vérifiez l'orientation du connecteur de câble Powered USB avant de le raccorder. Insérez-le en ligne droite de sorte que les broches ne plient pas. Enfoncez-le jusqu'à entendre un clic.
- En débranchant le câble, tenez toujours le connecteur.
- Faites attention de ne pas insérer le câble d'interface USB dans le connecteur d'arrêt du tiroir-caisse.
- Pour connecter plus d'une imprimante à un seul ordinateur via une interface USB, vous devez changer le numéro de série de l'interface USB.
- Maintenez le connecteur du câble d'interface Ethernet perpendiculaire et droit lors de sa connexion et de sa déconnexion. S'il est incliné lors de cette opération, le connecteur risque d'être mal raccordé.

Utilisez un câble d'interface série avec la méthode de connexion ci-dessous.

Câble 25 broches - 25 broches



Câble 9 broches - 25 broches

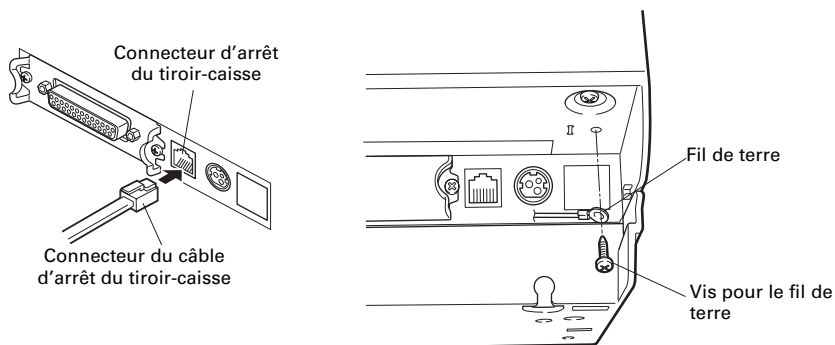


ATTENTION

Placez le câble d'interface de façon que personne ne marche dessus.

3.3 Branchement du tiroir-caisse

1. Mettez l'appareil hors tension.
2. Vérifiez l'orientation du connecteur du câble d'arrêt du tiroir-caisse et connectez-le au connecteur d'arrêt du tiroir-caisse à l'arrière de l'imprimante.
3. Retirez la vis pour le fil de terre.
4. Vissez le fil de terre du tiroir-caisse au corps de l'imprimante.

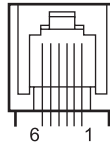


ATTENTION

- Connectez uniquement le connecteur du câble d'arrêt du tiroir-caisse au connecteur d'arrêt du tiroir-caisse. (Ne le connectez pas à une ligne téléphonique.)
- Les signaux ne peuvent pas être sortis par le connecteur d'arrêt du tiroir-caisse pendant une impression.
- Maintenez le connecteur du câble d'arrêt du tiroir-caisse perpendiculaire et droit lors de sa connexion et de sa déconnexion. S'il est incliné lors de cette opération, le connecteur risque d'être mal raccordé.

(1) Configuration des broches du connecteur

N°	Signal	Fonction
1	FG	Terre du cadre
2	DRAWER1	Signal de commande du tiroir-caisse 1
3	DRSW	Entrée du commutateur du tiroir-caisse
4	VDR	Alimentation de commande du tiroir-caisse
5	DRAWER2	Signal de commande du tiroir-caisse 2
6	GND	Terre du signal (terre commune sur les circuits)



Connecteur utilisé:
TM5RJ3-66 (Hirose) ou équivalent
Connecteur utilisable:
TM3P-66P (Hirose) ou équivalent

(2) Caractéristiques électriques

1) Tension de commande: 24 VCC

2) Courant de commande: Environ 1 A max. (ne doit pas excéder 510 ms.)

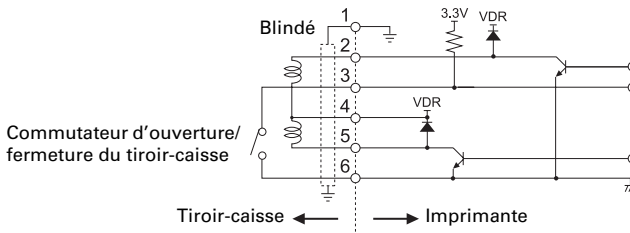
3) Signal DRSW: Niveaux de signal: «L» = 0 à 0,8 V, «H» = 2 à 3,3 V

(3) Signal DRSW

Le statut du signal DRSW peut être testé avec la commande DLE+EOT, GS+a, ou GS+r ou sur la broche 34 du port d'interface parallèle.

(4) Circuit de commande

Connecteur d'arrêt du tiroir-caisse

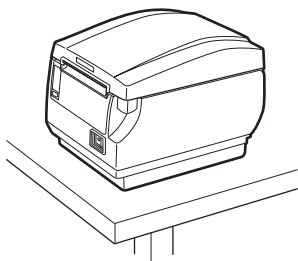


ATTENTION

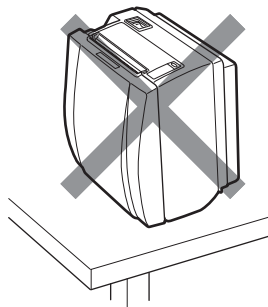
- Les tiroirs-caisse 1 et 2 ne peuvent pas être commandés en même temps.
- Le solénoïde utilisé pour le tiroir-caisse doit être de 24 Ω ou plus. Ne laissez pas le courant électrique dépasser 1 A. Un courant trop élevé peut endommager ou brûler les circuits.

3.4 Précautions pour l'installation de l'imprimante

Cette imprimante peut uniquement être placée horizontalement. Elle ne peut pas être placée verticalement ou sur un mur.



Position horizontale



Position verticale



ATTENTION

N'utilisez pas l'imprimante dans les conditions suivantes.

- Dans des emplacements soumis à des vibrations ou une certaine instabilité.
- Dans des emplacements très sales ou poussiéreux.
- Dans des emplacements où l'imprimante n'est pas de niveau.
- **L'imprimante pourrait tomber et entraîner des blessures.**
- **La qualité de l'impression peut se détériorer.**
- Orientée d'une autre façon que ce qui est spécifié.
- **L'imprimante peut mal fonctionner, être endommagée ou causer un choc électrique.**

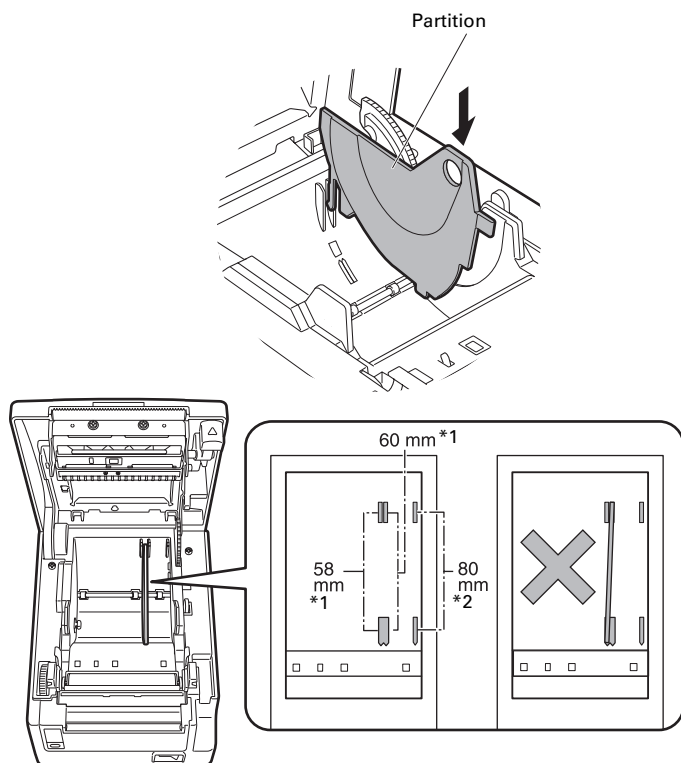
3.5 Partition pour rouleau de papier

Réglez la partition pour la largeur du rouleau de papier que vous chargez.

La partition est réglée à l'usine sur la position montrée ci-dessous.

- Pour le type 3 pouces: rouleau de papier de 80 mm de largeur
- Pour le type 2 pouces: rouleau de papier de 58 mm de large, rouleau de papier de 60 mm de large (partition 2 feuilles installée.)

1. Mettez l'appareil hors tension.
2. Appuyez sur la touche d'ouverture du capot pour ouvrir le capot papier.
3. Appuyez dans la position indiquée par la flèche et réglez la partition dans la fente qui correspond à la largeur du rouleau de papier que vous utilisez. Cependant, si vous utilisez un rouleau de papier de 83 mm de largeur, enlevez la partition. Ou, lorsque vous utilisez un rouleau de papier de 60 mm de large avec le type 2 pouces, enlevez la partition installée pour 58 mm.
4. Reportez-vous à «5.3 Réglage manuel des commutateurs de mémoire» pour changer les réglages de la largeur du papier.



Remarques:

*1: Type 2 pouces (58/60 mm)

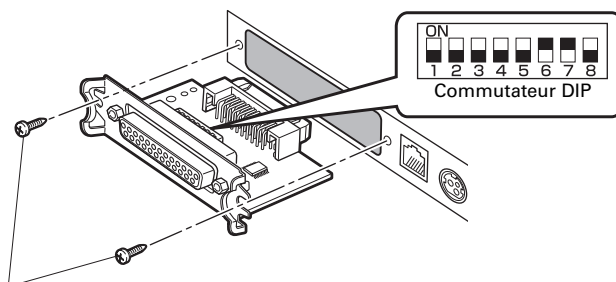
*2: Type 3 pouces (80/83 mm)

ATTENTION

Assurez-vous que la partition n'est pas penchée lors du réglage pour les rouleaux de papier de 58 mm ou 60 mm.

3.6 Réglage du commutateur DIP sur la carte d'interface série

1. Mettez l'imprimante hors tension et débranchez le cordon d'alimentation de la prise électrique.
2. Retirez la vis de montage de la carte d'interface série.
3. Retirez la carte d'interface série de l'imprimante.
4. Réglez le commutateur DIP en reportant au tableau suivant.



Vis de montage de la carte d'interface série

ATTENTION

Lors du réglage du commutateur DIP, ne retirez aucune autre vis en dehors des vis de montage de la carte d'interface série.

La fonction de chaque commutateur est indiquée ci-dessous. (Les valeurs en gris correspondent aux réglages de l'usine. Cependant, les réglages de l'usine diffèrent en fonction du marché de destination.)

N° du commutateur	Fonction	ON	OFF
1	Réglage de la condition de communication	En fonction des réglage du commutateur DIP	En fonction des réglage du commutateur de mémoire
2	Contrôle de flux	XON/XOFF	DTR/DSR
3	Longueur de bit	7 bits	8 bits
4	Contrôle de parité	Oui	Non
5	Sélection parité	Parité paire	Parité impaire
6	Sélection du taux de baud	Reportez-vous au tableau ci-dessous.	
7			
8	INIT	Réenclenchement	Invalide

Sélection du taux de baud

Taux de baud (bps)	N° du commutateur	
	6	7
2400	OFF	OFF
4800	ON	OFF
9600	OFF	ON
19200	ON	ON

Quand le commutateur n° 1 est réglé sur OFF, vous pouvez utiliser une commande ou un commutateur de mémoire pour choisir 1200, 38400, 57600 ou 115200 bps.

3.7 Réglage du capteur de fin de papier proche

Changez les réglages du capteur de fin de papier proche pour régler la position dans laquelle la proximité de la fin du papier est détectée.

1. Utilisez un objet pointu, tel qu'un stylo, pour appuyez doucement sur la touche pour changer le capteur de fin de papier proche.
2. Maintenez la touche enfoncée tout en bougeant le capteur de fin de papier proche vers le haut et le bas. Les positions du capteur sont indiquées ci-dessous pour les divers diamètres des rouleaux de papier utilisés.

(Unité: mm)

Position du capteur	Diamètre extérieur lors de la detection de la proximité de la fin	Diamètre extérieur/ intérieur du noyau du rouleau de papier utilise
A	Environ $\phi 31$	$\phi 18/\phi 12$
B*	Environ $\phi 23$	$\phi 18/\phi 12$
C	La fonction du capteur de fin de papier proche est hors service	

Remarque:

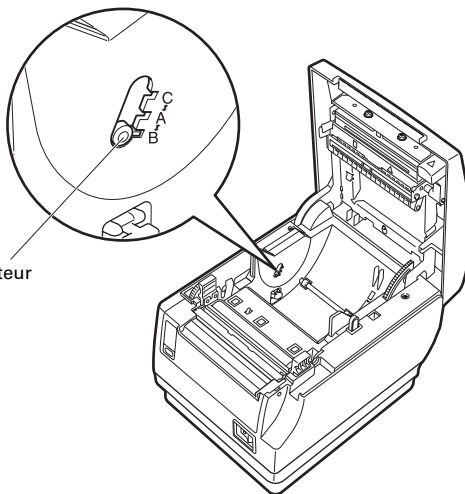
*: Position du capteur à l'expédition de l'usine. Cependant, les réglages de l'usine diffèrent en fonction du marché de destination.



ATTENTION

Le diamètre du rouleau de papier qui est détecté est une estimation. Des variations sont possibles en fonction du papier.

Touche pour changer le capteur de fin de papier proche

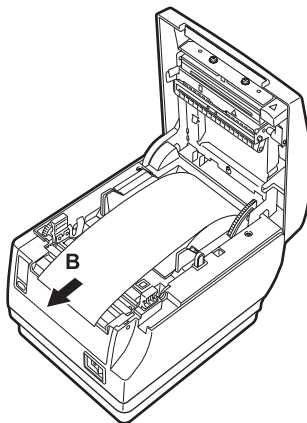
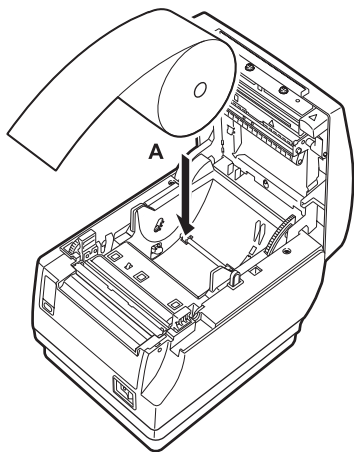
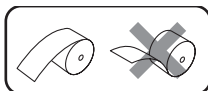


3.8 Chargement du papier

1. Mettez l'appareil sous tension.
2. Appuyez sur la touche d'ouverture du capot pour ouvrir le capot papier.
3. Chargez le rouleau de papier de façon que la face imprimable du papier soit dirigée vers le haut, comme indiqué par la flèche A.
4. Tirez quelques centimètres de papier droit vers l'extérieur dans la direction de la flèche B.
5. Fermez le capot papier jusqu'à entendre un clic. Le papier est avancé et coupé automatiquement (par le réglage d'usine).



Reportez-vous à 5.3 Réglage manuel des commutateurs de mémoire



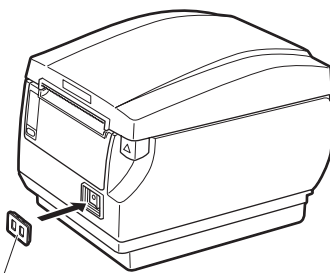
ATTENTION

- Utilisez uniquement les types de rouleaux de papier spécifiés.
- Vérifiez que le rouleau de papier est placé correctement.
- Si le papier est de biais et ne sort pas droit du capot papier, ouvrez ce dernier et remettez le papier droit.
- Tirez toujours quelques centimètres de papier en dehors de l'imprimante si vous ouvrez le capot papier quand du papier est chargé.
- Appuyez sur le centre du capot papier pour le fermer correctement.
- Faites attention aux découpes du papier lors du chargement du papier.
- Ne touchez pas la tête d'impression, le système de découpe manuelle ou le système de découpe automatique pendant que le capot papier est ouvert. Vous pourriez vous brûler ou vous couper.

3.9 Fixation du capot du commutateur d'alimentation

Fixez ce capot pour éviter que le commutateur d'alimentation soit utilisé accidentellement.

1. Poussez le capot du commutateur d'alimentation sur le compartiment du commutateur d'alimentation jusqu'à ce que vous entendiez un déclic.



Capot du commutateur d'alimentation

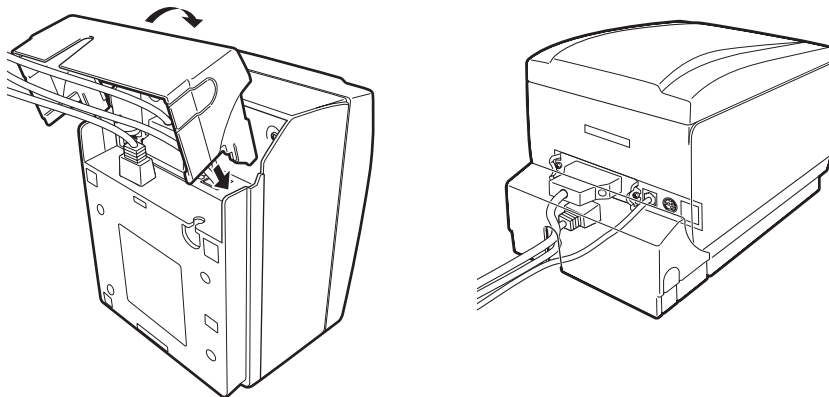
Insérez la lame d'un tournevis ou un autre objet pointu dans les fentes du capot du commutateur d'alimentation pour le retirer.

3.10 Fixation du capot d'interface

Fixez le capot d'interface à l'arrière de l'imprimante.

La forme du capot d'interface est différente en fonction du type de source d'alimentation.

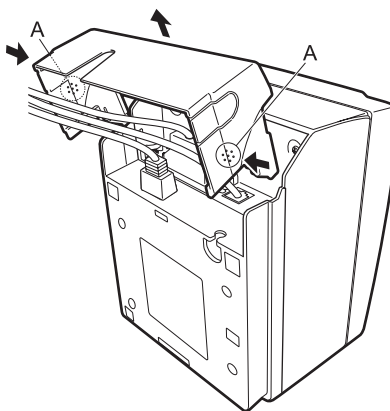
1. Poussez le capot d'interface de la façon montrée sur l'illustration jusqu'à ce que vous entendiez un dé clic.



CT-S651S

3.11 Retrait du capot d'interface

Appuyez de chaque côté du capot d'interface aux endroits indiqués par A pour le retirer.



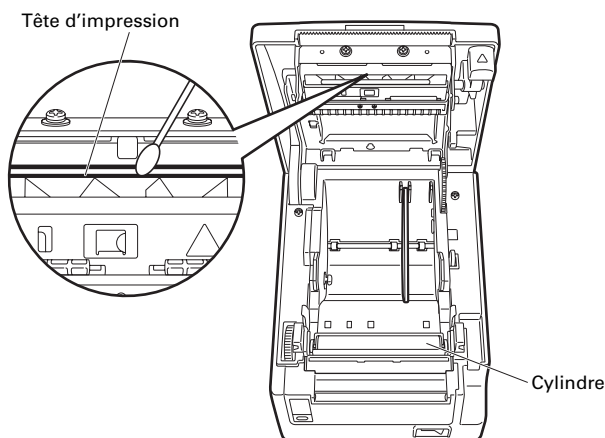
CT-S651S

4. ENTRETIEN ET DÉPANNAGE

4.1 Nettoyage périodique

Une tête d'impression ou un cylindre sale peut réduire la qualité de l'impression ou causer des mauvais fonctionnements. Nous recommandons de nettoyer l'imprimante périodiquement (environ tous les 2 ou 3 mois) comme expliqué ci-dessous.

1. Mettez l'appareil hors tension.
2. Appuyez sur la touche d'ouverture du capot pour ouvrir le capot papier.
3. Attendez quelques minutes que la tête d'impression refroidisse.
4. Utilisez un coton-tige imprégné d'alcool pour frotter les saletés et la poussière de la tête d'impression et du cylindre.

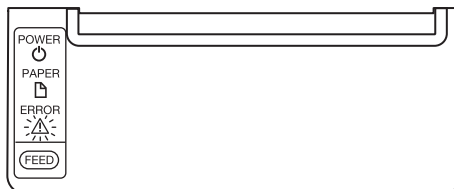


ATTENTION

- La tête d'impression chauffe immédiatement après l'impression. Ne la touchez pas.
- Ne touchez pas la tête d'impression avec les mains nues ou des objets métalliques.

4.2 Déverrouillage d'un verrou du système de découpe (1)

La ERROR LED clignote et la lame du système de découpe automatique ne peut plus rentrer car un corps étranger ou un bouchage papier la gêne.



Si la ERROR LED clignote, annulez le verrouillage du système de découpe de la manière indiquée ci-dessous.

1. **Mettez l'appareil sous tension.**
2. **Appuyez sur la touche d'ouverture du capot pour ouvrir le capot papier.**
3. **Retirez le bouchage de papier y compris tous les petits morceaux de papier. (Retirez aussi le rouleau de papier chargé dans le support.)**
4. **Chargez de nouveau le rouleau de papier et fermez le capot papier.**



ATTENTION

- La tête d'impression chauffe immédiatement après l'impression. Ne la touchez pas.
- Ne touchez pas la tête d'impression avec les mains nues ou des objets métalliques.

Après avoir effectué la procédure dans «Déverrouillage d'un verrou du système de découpe (1)», ensuite, après avoir ouvert le capot papier, si la lame du système de découpe automatique est sortie, effectuez la procédure dans «Déverrouillage d'un verrou du système de découpe (2)».

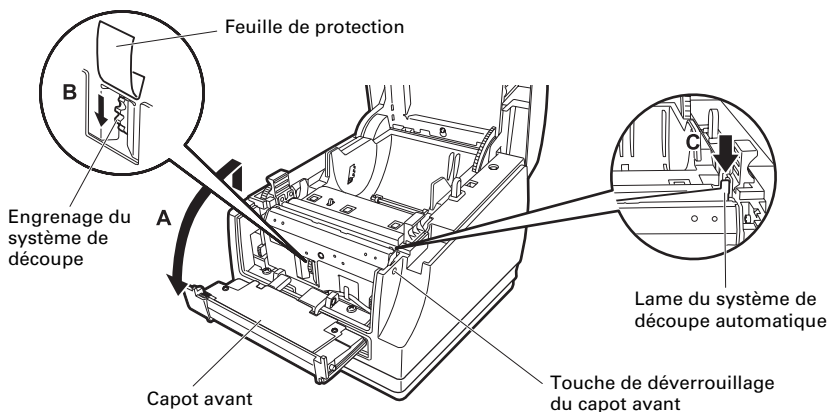


Reportez-vous à 4.3 Déverrouillage d'un verrou du système de découpe (2)

4.3 Déverrouillage d'un verrou du système de découpe (2)

Le capot papier est conçu pour être ouvert en appuyant sur la touche d'ouverture du capot si le système de découpe est verrouillé. Si la lame du système de découpe automatique reste sortie, utilisez la procédure suivante pour annuler le verrouillage du système de découpe.

1. **Mettez l'imprimante hors tension et débranchez le cordon d'alimentation de la prise électrique.**
2. **Appuyez sur la touche d'ouverture du capot pour ouvrir le capot papier.**
3. **Tout en appuyant sur la touche de déverrouillage du capot avant à l'aide d'un stylo ou autre chose, faites glisser le capot avant d'environ 10 mm vers le haut.**
4. **Tournez le capot avant vers l'avant dans le sens de la flèche A.**
5. **Soulevez la feuille de protection et tournez l'engrenage du système de découpe dans la direction de la flèche B pour ramener le système de découpe automatique dans une position où le capot papier peut être ouvert.**
Tournez l'engrenage du système de découpe jusqu'à ce que la lame du système de découpe se rétracte automatiquement dans la direction de la flèche C. Si la lame du système de découpe automatique ne bouge pas quand vous tournez l'engrenage du système de découpe dans la direction de la flèche B, tournez-le dans l'autre direction.
6. **Retirez ce qui cause le verrouillage du système de découpe.**
7. **Fermez le capot avant.**
Tournez le capot avant dans le sens opposé de la flèche A, ensuite, enfoncez le dessus du capot avant jusqu'à entendre un clic.
8. **Chargez le rouleau de papier et fermez le capot papier.**
9. **Insérez la fiche du cordon d'alimentation dans une prise électrique et mettez l'appareil sous tension.**
Assurez-vous que la POWER LED s'allume.

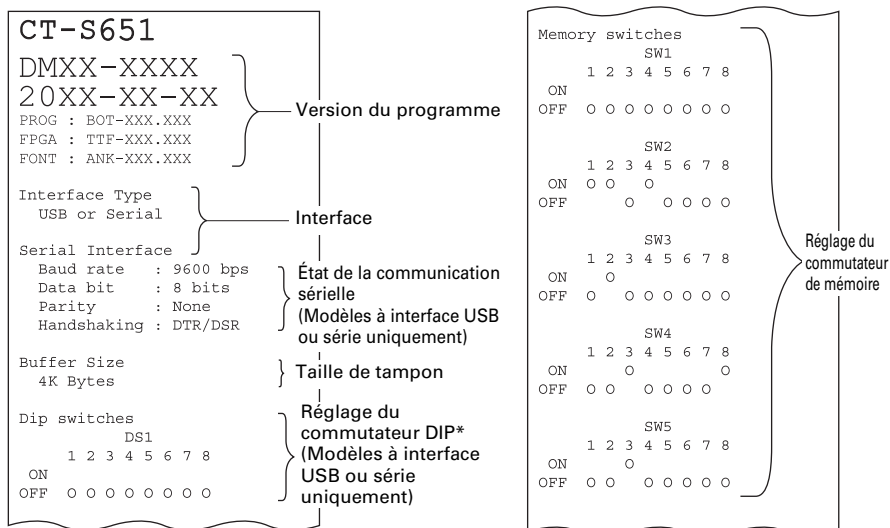


ATTENTION

- Avant de démarrer le travail de maintenance, assurez-vous de mettre l'imprimante hors tension et de débrancher le cordon d'alimentation de la prise électrique.
- Faites attention de ne pas toucher le système de découpe manuelle pendant que le capot avant est ouvert.
- Faites attention de ne pas toucher le système de découpe automatique pendant que le capot papier est ouvert.
- La tête d'impression chauffe immédiatement après l'impression. Ne la touchez pas.
- Ne touchez pas la tête d'impression avec les mains nues ou des objets métalliques.
- Si la procédure ci-dessus ne permet pas de rétracter le système de découpe automatique, veuillez contacter votre fournisseur Citizen Systems.

4.4 Auto test

Pendant que du papier est chargé, maintenez enfoncée la touche FEED tout en mettant l'imprimante sous tension. Maintenez la touche FEED enfoncée pendant une seconde, ensuite, relâchez-la pour démarrer l'auto test. L'imprimante imprime son nom de modèle, la version, le réglage des commutateurs DIP, le réglage du commutateur de mémoire et la liste des polices intégrées.



Remarque:

*: Les imprimantes munies d'une interface USB n'ont pas de commutateur DIP, les commutateurs DIP apparaissent donc tous éteints sur l'impression de l'auto test.

4.5 Impression hexadécimale avec vidage de la mémoire

Imprimez les données reçues en hexadécimal. Si des problèmes tels que des données manquantes, des duplications de données se produisent, cette fonction permet de vérifier si l'imprimante reçoit ou non les données correctement.

Comment réaliser l'impression hexadécimale avec vidage de la mémoire

1. Chargez le papier.
2. Alors que le capot papier est ouvert, maintenez enfoncée la touche FEED tout en mettant l'imprimante sous tension, puis fermez le capot papier.
3. L'imprimante imprime tout d'abord «HEX dump print mode», et elle imprime ensuite toutes les données envoyées en mode hexadécimal.

Comment arrêter l'impression hexadécimale avec vidage de la mémoire

Réalisez une des choses suivantes pour arrêter l'impression.

- Appuyez sur la touche FEED à trois reprises de manière consecutive
- Mettez l'appareil hors tension
- Recevez une commande de réinitialisation d'une interface



ATTENTION

- S'il n'y a pas de caractère disponible pour correspondre aux données reçues, « . » est imprimé à la place du caractère.
- Aucune commande ne fonctionne pendant l'impression hexadécimale avec vidage de la mémoire.
- Si les données imprimées ne couvrent pas une ligne complète, appuyez sur la touche FEED pour faire avancer le papier.

Exemple d'impression

HEX dump print mode

```
61 62 63 64 65 66 67 0A 0D 0D 0D 0D abcdefg.....  
0D 0D 0D                                     .....
```

4.6 Messages d'erreur

- **Fin de papier**

La fin du rouleau de papier a été détectée à deux niveaux, fin de papier proche et fin de papier.

Lorsque la fin de papier proche est détectée, la PAPER LED s'allume. Préparez un nouveau rouleau de papier.

Lorsque la fin de papier est détectée, les DEL PAPER LED et ERROR LED s'allument. Chargez un nouveau rouleau de papier.

- **Capot papier est ouvert**

N'ouvrez pas le capot papier pendant l'impression. Si le capot papier est ouvert, la DEL ERROR LED s'allume ou clignote. Vérifiez le papier et tirez toujours quelques centimètres de papier en dehors de l'imprimante avant de refermer le capot papier. L'impression reprend. L'envoi d'une commande de reprise de l'impression peut être nécessaire selon le réglage du commutateur de mémoire.

- **Système de découpe verrouillé**

Si le système de découpe automatique ne peut pas bouger à cause d'un bourrage de papier ou d'autre chose, la DEL ERROR LED clignote. Éliminez la cause du problème et appuyez sur la touche FEED. Si le système de découpe automatique ne fonctionne toujours pas et que le capot papier ne s'ouvre pas, reportez-vous à «4.3 Déverrouillage d'un verrou du système de découpe (2)».

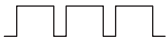


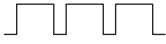





Reportez-vous à 4.3 Déverrouillage d'un verrou du système de découpe (2)

- **Erreur de tête d'impression**

Quand vous imprimez des caractères denses, des images sombres, ou pendant une longue durée dans un environnement chaud, la température de la tête d'impression augmente. Si la tête d'impression dépasse une température spécifiée, l'imprimante s'arrête d'imprimer et attend que la tête d'impression refroidisse. Lorsque cela survient, la DEL ERROR LED clignote. L'impression reprend automatiquement quand la tête d'impression a refroidi.

L'affichage d'état pour divers messages apparaît ci-dessous.

État	POWER LED (verte)	PAPER LED (orange)	ERROR LED (rouge)	Signal sonore *3
Fin de papier proche	S'allume	S'allume	—	—
Fin de papier	S'allume	S'allume	S'allume	Oui
Capot papier ouvert ou capot avant ouvert *1	S'allume	—	S'allume	Oui
Capot papier ouvert ou capot avant ouvert *2	S'allume	—		Oui
Système de découpe verrouillé	S'allume	—		Oui
Erreur mémoire	—	—		Oui
Erreur de tête d'impression	S'allume	—		Oui
Erreur de basse tension	S'allume	—		Oui
Erreur de haute tension	S'allume	—		Oui
Attente d'exécution d'une macro	S'allume	—		—

Remarques:

*1: Si le capot papier ou le capot avant est ouvert en attente.

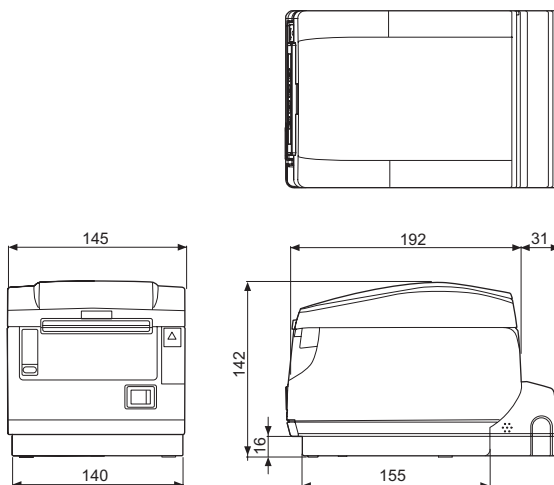
*2: Si le capot papier ou le capot avant est ouvert pendant une impression ou un chargement papier.

*3: Le signal sonore retentit quand MSW5-1 (réglage du signal sonore) est réglé sur ON.

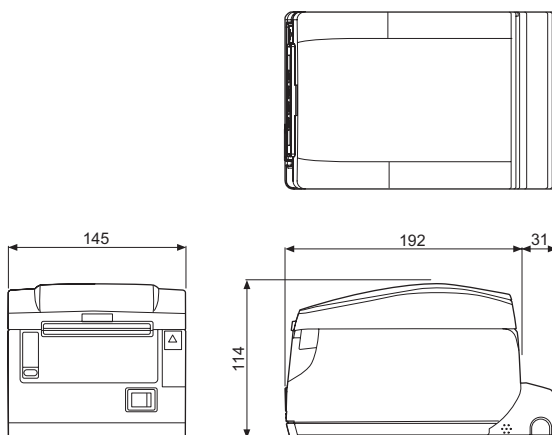
5. DIVERS

5.1 Vues et dimensions externes

(Unité: mm)



Type à alimentation intégrée



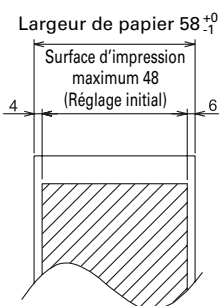
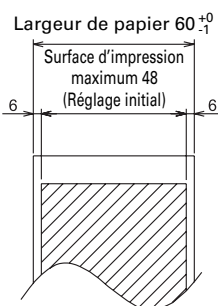
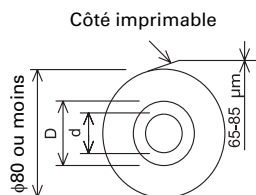
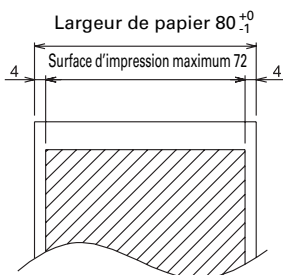
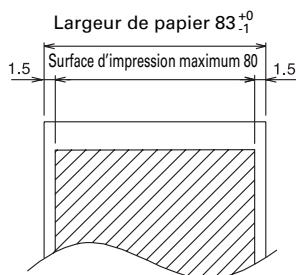
Type à adaptateur CA

5.2 Papier d'impression

Utilisez le papier indiqué dans le tableau suivant ou un papier de qualité équivalente.

Type de papier	Nom du produit
Papier thermosensible en rouleau recommandé	TF50KS-E2D, TF50KS-E ou TF60KS-E de Nippon Paper PD150R ou PD160R de Ohji Paper PA220AG, HP220A, HP220AB-1, F230AA, P220AB ou PB670 (papier 2 couleurs) de Mitsubishi Paper

(Unité: mm)



Épaisseur du papier (μm)	65-75	75-85
Diamètre intérieur du noyau d (mm)	φ12	φ25,4
Diamètre extérieur du noyau D (mm)	φ18	φ32



ATTENTION

Utilisez un papier thermosensible qui est enroulé de la façon suivante:

- Non froissé et bien serré sur le noyau.
- Non plié.
- Non collé au noyau.
- Enroulé avec la face imprimable vers l'extérieur.

5.3 Réglage manuel des commutateurs de mémoire

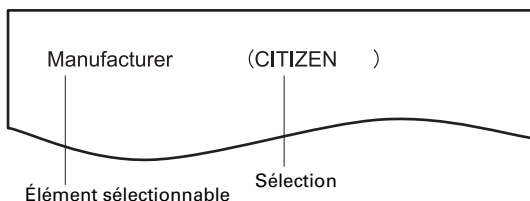
Les commutateurs de mémoire sont utilisés pour effectuer divers réglages de l'imprimante. Les commutateurs de mémoire peuvent être réglés manuellement (directement sur l'imprimante) ou par des commandes. Cette section explique comment réaliser des réglages manuels.

Pour en savoir plus sur le réglage des commutateurs de mémoire, veuillez vous reporter à la Référence des commandes.

Mode Quick setting

Les réglages pour les commutateurs de mémoire pour le remplacement du fabricant d'imprimante, du modèle, de l'épaisseur papier et de l'espacement des caractères peuvent être définis en même temps aux réglages optimum. Procédez aux réglages conformément aux éléments sélectionnés sur l'impression.

1. **Chargez le papier.**
2. **Alors que le capot papier est ouvert, appuyez et maintenez enfoncée la touche FEED tout en mettant l'imprimante sous tension.**
3. **Appuyez à trois reprises sur la touche FEED et fermez le capot papier.**
L'imprimante entre en mode de réglage rapide du commutateur de mémoire. L'élément sélectionnable «Manufacturer» et la sélection sont imprimés.



4. **Appuyez sur la touche FEED.**
Une sélection est imprimée dans l'ordre chaque fois que la touche FEED est enfoncée. Appuyez sur la touche FEED jusqu'à ce que la sélection désirée soit imprimée.
5. **Appuyez sur la touche FEED pendant au moins deux secondes.**
La sélection est réglée.
S'il y a un autre élément sélectionnable, ce dernier et la sélection sont imprimés.
6. **Répétez les étapes 4 et 5 pour sélectionner et régler le modèle d'imprimante, l'épaisseur papier, l'espacement des caractères (EPSON T88 uniquement).**
Lorsque tous les éléments sont réglés, «Save To Memory» s'imprime.
7. **Appuyez sur la touche FEED pendant au moins deux secondes.**
Les réglages du commutateur de mémoire modifiés sont enregistrés et une liste de ces derniers est imprimée.
L'imprimante quitte le mode de réglage rapide lorsque l'impression est terminée.

Élément sélectionné

Manufactureur	Model	Paper width	Character space
CITIZEN	CBM1000	58 mm	—
		80 mm	—
	CT-S300	58 mm	—
		80 mm	—
	CT-S2000	58 mm	—
		60 mm	—
		80 mm	—
83 mm		—	
EPSON	T88	58 mm	0dot
			1dot
		80 mm	0dot
			1dot
	203dpi	58 mm	—
		60 mm	—
		80 mm	—

Réglages automatiques du commutateur de mémoire

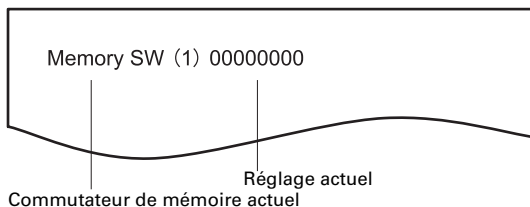
MSW2-4 Full Col Print	MSW3-7 CBM1000 Mode	MSW8-1 Print Width	MSW6-2 Character Space
LineFeed	Valid	432dots	—
LineFeed	Valid	576dots	—
WaitData	Invalid	384dots	—
WaitData	Invalid	576dots	—
LineFeed	Valid	432dots	—
LineFeed	Valid	436dots	—
LineFeed	Valid	576dots	—
LineFeed	Valid	640dots	—
WaitData	Invalid	360dots	0dot
WaitData	Invalid	390dots	1dot
WaitData	Invalid	512dots	0dot
WaitData	Invalid	546dots	1dot
WaitData	Invalid	420dots	—
WaitData	Invalid	436dots	—
WaitData	Invalid	576dots	—

Mode de réglage individuel

Réglez les commutateurs de mémoire individuellement.

Procédez aux réglages après la vérification de la fonction du commutateur de mémoire et des réglages sur l'impression.

- Chargez le papier.**
- Alors que le capot papier est ouvert, appuyez et maintenez enfoncée la touche FEED tout en mettant l'imprimante sous tension.**
- Appuyez à deux reprises sur la touche FEED et fermez le capot papier.**
L'imprimante entre en mode permettant de régler les commutateurs de mémoire individuellement.
L'imprimante sort «Memory SW (1)» et le réglage actuel est 0 (off) ou 1 (on).
(Les réglages actuels pour les commutateurs de mémoire de 7 à 10 ne sont pas imprimés.)

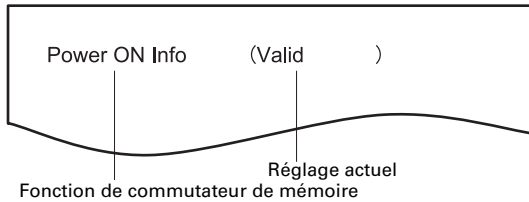


- Appuyez sur la touche FEED.**
La liste des commutateurs de mémoire défile dans l'ordre de «Memory SW (1)» → «Memory SW (2)» → ... «Memory SW (10)» → «Save To Memory» → «Memory SW (1)» → chaque fois que vous appuyez sur la touche FEED.
Appuyez sur la touche FEED jusqu'à ce que le numéro du commutateur de mémoire que vous souhaitez modifier s'imprime.

5. Appuyez sur la touche FEED pendant au moins deux secondes.

Un réglage pour le commutateur de mémoire est imprimé, par le cycle, chaque fois que la touche FEED est enfoncée pendant au moins deux secondes.

Appuyez sur la touche FEED pendant au moins deux secondes pour faire défiler la liste jusqu'à ce que la fonction du commutateur de mémoire que vous souhaitez modifier soit imprimée.



6. Appuyez sur la touche FEED.

Un réglage est imprimé chaque fois que la touche FEED est enfoncée dans l'ordre de défilement.

Lorsque les réglages actuels sont imprimés, la DEL ERROR LED s'allume.

Appuyez sur la touche FEED jusqu'à ce que le réglage désiré soit imprimé.

7. Appuyez sur la touche FEED pendant au moins deux secondes.

Les réglages sélectionnés sont définis.

La fonction suivante du commutateur de mémoire et les réglages sont imprimés.

8. Répétez les étapes de 5 à 7 pour changer les fonctions différentes pour le numéro du commutateur de mémoire actuel.

9. Ouvrez le capot papier et fermez-le.

Les réglages du commutateur de mémoire modifiés sont imprimés.

10. Répétez les étapes de 4 à 9 pour changer les fonctions pour un numéro de commutateur de mémoire différent.

11. Appuyez sur la touche FEED jusqu'à ce que «Save To Memory» soit imprimé.

12. Appuyez sur la touche FEED pendant au moins deux secondes.

Les réglages du commutateur de mémoire modifiés sont enregistrés et une liste de ces derniers est imprimée.

L'imprimante quitte le mode de réglage individuel lorsque l'impression est terminée.

Initialisation du commutateur de mémoire

Réglez tous les commutateurs de mémoire aux réglages d'origine.

1. Effectuez les étapes de 1 à 3 de la procédure pour entrer en mode de réglage individuel.

2. Appuyez sur la touche FEED jusqu'à ce que «Save To Memory» soit imprimé.

3. Ouvrez le capot papier.

4. Appuyez sur la touche FEED pendant au moins deux secondes.

Tous les commutateurs de mémoire changent aux réglages de l'usine.

5. Fermez le capot papier.

La fonction de chaque commutateur de mémoire est indiquée dans le tableau suivant. (Les valeurs en gris correspondent aux réglages de l'usine.)

N° du commutateur	Fonction	OFF	ON
MSW1-1	Power ON Info	Valid	Not Send
MSW1-2	Buffer Size	4K bytes	45 bytes
MSW1-3	Busy Condition	Full/Err	Full
MSW1-4	Receive Error	Print"?"	No Print
MSW1-5	CR Mode	Ignored	LF
MSW1-6	Reserved	Fixed	—
MSW1-7	DSR Signal	Invalid	Valid
MSW1-8	Init Signal	Invalid	Valid
MSW2-1	Reserved	—	Fixed
MSW2-2	Auto Cutter	Invalid	Valid
*1 MSW2-3	Spool Print	Invalid	Valid
MSW2-4	Full Col Print	LineFeed	WaitData
MSW2-5	Resume aft PE	Next	Top
MSW2-6	Reserved	Fixed	—
MSW2-7	Reserved	Fixed	—
MSW2-8	PNE Sensor	Valid	Invalid
MSW3-1	Resume Ctrr Err	Valid	Invalid
MSW3-2	PE signal by PNE	Valid	Invalid
MSW3-3	Parallel 31 Pin	Valid	Invalid
MSW3-4	Reserved	Fixed	—
MSW3-5	Reserved	Fixed	—
MSW3-6	Reserved	Fixed	—
MSW3-7	CBM1000 Mode	Invalid	Valid
MSW3-8	Resume Open Err	Close	Command
MSW4-1	Reserved	Fixed	—
MSW4-2	Reserved	Fixed	—
MSW4-3	Feed&Cut at TOF	Invalid	Valid
MSW4-4	Reserved	Fixed	—
MSW4-5	Reserved	Fixed	—
MSW4-6	Reserved	Fixed	—
MSW4-7	Reserved	Fixed	—
MSW4-8	Partial Only	Invalid	Valid
MSW5-1	Buzzer	Valid	Invalid
MSW5-2	Line Pitch	1/360	1/406
MSW5-3	USB Mode	Virtual COM	Printer Class
MSW5-4	Reserved	Fixed	—
MSW5-5	Reserved	Fixed	—
MSW5-6	Reserved	Fixed	—
MSW5-7	Reserved	Fixed	—
MSW5-8	Reserved	Fixed	—

N° du commutateur	Fonction	OFF	ON
MSW6-1	Act. For Driver	Invalid	Valid
MSW6-2	Character Space	Invalid	Valid
MSW6-3	Reserved	Fixed	—
MSW6-4	Reserved	Fixed	—
MSW6-5	Reserved	Fixed	—
MSW6-6	Reserved	Fixed	—
MSW6-7	Reserved	Fixed	—
MSW6-8	Reserved	Fixed	—

N° du commutateur	Fonction	Réglage initial	Valeur réglée
*2 MSW7-1	Baud Rate	9600 bps	1200 bps, 2400 bps, 4800 bps, 9600 bps, 19200 bps, 38400 bps, 57600 bps, 115200 bps
*2 MSW7-2	Data Length	8bits	7bits, 8bits
*2 MSW7-3	Stop Bit	1bit	1bit, 2bits
*2 MSW7-4	Parity	NONE	NONE, EVEN, ODD
*2 MSW7-5	Flow Control	DTR/DSR	DTR/DSR, XON/XOFF
*2 MSW7-6	DMA Control	Valid	Valid, Invalid
*2 MSW7-7	VCom Protocol	PC Setting	PC Setting, DTR/DSR, XON/XOFF
MSW8-1	Print Width	576dots (type 3 pouces) 384dots (type 2 pouces)	640dots, 576dots, 512dots, 436dots, 432dots, 420dots, 384dots, 360dots, 390dots, 546dots, 390dots, 546dots
MSW8-2	Paper Type	1 Color Normal	1 Color Normal, 2 Color Normal
*3 MSW8-3	Top Margin	11mm	3mm, 4mm, 5mm, 6mm, 7mm, 8mm, 9mm, 10mm, 11mm
*3 MSW8-4	Line Gap Reduce	Invalid	Invalid, 3/4, 2/3, 1/2, 1/3, 1/4, 1/5, ALL
*4 MSW8-7	Liner Free Mode	Invalid	Invalid, 1h, 6h, 12h, 18h, 24h, 5m, 10m, 15m, 20m, 30m
MSW9-1	Code Page	PC 437	PC 437, Katakana, PC 850,858, PC 860, PC 863, PC 865, PC 852, PC 866, PC 857, WPC1252, Space page, PC 864, Thai Code 18
MSW9-2	Int'Char Set	USA	USA, France, Germany, England, Denmark, Sweden, Italy, Spain, Japan, Norway, Denmark 2, Spain 2, Latin America, Korea, Croatia, China
MSW9-3	Kanji	OFF	ON, OFF
MSW9-4	JIS/Shift JIS	JIS	JIS, Shift JIS
MSW10-1	Print Density	100 %	70 %, 75 %, 80 %, 85 %, 90 %, 95 %, 100 %, 105 %, 110 %, 115 %, 120 %, 125 %, 130 %, 135 %, 140 %
MSW10-2	Print Speed	Level 9	Level 1, Level 2, Level 3, Level 4, Level 5, Level 6, Level 7, Level 8, Level 9
MSW10-3	ACK Timing	Before Busy	Before Busy, Same Period, After Busy
*4 MSW10-4	Emulation Type	ESC/POS	ESC/POS, CBM1, CBM2
MSW10-5	Reserved		
MSW10-6	Buzzer Sound	Tone 2	Tone 1, Tone 2, Tone 3, Tone 4

Remarques:

- *1: Si les données d'impression sont très denses, la tête d'impression est chaude, la transmission des données est lente, ou dans certaines autres conditions, le moteur et l'impression peuvent s'arrêter occasionnellement et cela peut causer des bandes blanches dans l'impression. Pour imprimer des données très denses, réglez MSW2-3 (Spool Print) sur ON pour réduire le problème de bandes, même si cela augmente le temps avant que l'impression commence.
Pour une interface série, augmentez la vitesse de transmission pour éviter que le moteur s'arrête.
- *2: Les valeurs pour les commutateurs de mémoire MSW7-X sont uniquement en vigueur lorsque le commutateur DIP n° 1 est réglé sur OFF
- *3: Activé avec le micrologiciel version Dxxx-2500 et postérieures.
- *4: Activé avec le micrologiciel version Dxxx-2300 et postérieures.

DEUTSCH

ALLGEMEINE VORSICHTSMASSNAHMEN

- Lesen Sie sich das vorliegende Benutzerhandbuch sorgfältig durch, bevor Sie das Gerät verwenden. Verwahren Sie es danach an einem sicheren, leicht zugänglichen Ort, um bei Bedarf darauf zurückgreifen zu können.
- Der Hersteller behält sich vor, die hierin enthaltenen Informationen ohne vorherige Ankündigung zu ändern.
- Jegliche Reproduktion und Weitergabe von Teilen oder der Gesamtheit des Dokuments ohne vorherige Genehmigung von Citizen Systems ist untersagt.
- Beachten Sie, dass Citizen Systems jegliche Haftung für Folgen aus dem Betrieb des Geräts unabhängig von im vorliegenden Handbuch enthaltenen Auslassungen, Fehlern oder Druckfehlern ausschließt.
- Beachten Sie, dass Citizen Systems keine Haftung für jegliche Störungen übernimmt, die infolge der Verwendung von in diesem Handbuch nicht autorisierten Zubehöerteilen oder Verbrauchsmaterialien entstehen.
- Mit Ausnahme der in diesem Handbuch genannten Fälle darf das Gerät nicht selbst gewartet, zerlegt oder repariert werden.
- Beachten Sie, dass Citizen Systems keine Haftung für jegliche Störungen übernimmt, die infolge von unsachgemäßer Verwendung oder nicht geeigneter Betriebsumgebungen auftreten, auch wenn in diesem Handbuch nicht darauf hingewiesen wird.
- Daten sind im Allgemeinen für temporären Gebrauch und gespeichert nicht während eines ausgedehnten Zeitabschnitts oder dauerhaft. Beachten Sie, dass Citizen Systems jegliche Haftung für Schäden oder entgangene Verluste ausschließt, die aus Datenverlusten infolge von unvorgesehenen Ereignissen, Reparaturen, Tests oder sonstigen Umständen entstehen.
- Wenn Ihnen Auslassungen oder Fehler auffallen oder Sie Fragen haben, wenden Sie sich an Ihren Citizen Systems-Händler.
- Wenn Ihnen fehlende oder falsch sortierte Seiten auffallen, wenden Sie sich zwecks Ersatz an Ihren Citizen Systems-Händler.

Authorisierte Repräsentanz in Europa: Citizen Systems Europe GmbH

Mettinger Strasse 11
D-73728 Esslingen
Germany

Maschinenlärminformations-Verordnung - 3. GPSGV, der höchste Schalldruckpegel beträgt 70 dB(A) gemäss EN ISO 7779
Das Gerät ist nicht für die Benutzung am Bildschirmarbeitsplatz gemäss BildschirmV vorgesehen.

CITIZEN is a registered trade mark of Citizen Watch Co., Ltd, Japan

CITIZEN es una marca registrada de Citizen Watch Co., Ltd, Japón

Company names and product names in this manual are trademarks or registered trademarks of relevant companies.

Copyright© 2018 by CITIZEN SYSTEMS JAPAN CO., LTD.

SICHERHEITSMASSNAHMEN ...DIE SIE STRIKT EINHALTEN MÜSSEN

Lesen Sie sich vor der erstmaligen Verwendung des Produkts die SICHERHEITSMASSNAHMEN sorgfältig durch.

Falsche Handhabung kann zu Unfällen führen (Brände, elektrische Schläge oder Verletzungen). Um Verletzungen von Benutzern und Dritten sowie materielle Schäden zu vermeiden, werden im Handbuch spezielle Warnsymbole verwendet, die auf wichtige Informationen hinweisen.

- Bewahren Sie das Handbuch danach an einem sicheren, leicht zugänglichen Ort auf, um bei Bedarf darauf zurückgreifen zu können.
- Einige der im Handbuch enthaltenen Beschreibungen sind möglicherweise für Ihr Druckermodell nicht von Bedeutung.

Nachstehend wird der Grad der Gefahren und Schäden beschrieben, die bei unsachgemäßem Betrieb des Druckers oder Nichtbeachtung der durch die Warnsymbole gekennzeichneten Hinweise entstehen können.



WARNHINWEIS

Bei Nichtbeachtung derartig gekennzeichnetener Informationen kann es zu schweren oder tödlichen Verletzungen kommen.



VORSICHT

Die Nichtbeachtung von mit diesem Symbol gekennzeichneten Informationen kann zu Verletzungen oder materiellen Schäden führen.



Dieses Symbol wird verwendet, um Sie auf wichtige Informationen aufmerksam zu machen.



Dieses Symbol weist auf Gefahren durch elektrische Schläge und mögliche Schäden durch statische Elektrizität hin.



Dieses Symbol weist darauf hin, dass der Netzstecker des Geräts zu ziehen ist.



Dieses Symbol weist darauf hin, dass die Spannungsversorgung geerdet sein muss.



Dieses Symbol wird verwendet, um nützliche Informationen, wie Verfahren oder Anweisungen zur Benutzung hervorzuheben.



Dieses Symbol dient zur Warnung vor unzulässigen Eingriffen.

VORSICHTSMASSNAHMEN BEI AUFSTELLEN DES DRUCKERS

WARNHINWEIS

- Verwenden und lagern Sie das Gerät nicht an Orten, an denen es folgenden Einflüssen ausgesetzt ist:

- * Flammen oder hohe Luftfeuchtigkeit.
- * Direkte Sonneneinstrahlung.
- * Heißluftströme oder Abwärme von Heizgeräten.
- * Salzige Luft oder korrosive Gase.
- * Unzureichende Belüftung.
- * Chemische Reaktionen in Laboren.
- * Ölnebel, Stahlpartikel oder Staub.
- * Statische Elektrizität oder starke Magnetfelder.



- **Die Nichtbeachtung dieser Warnhinweise kann zu Ausfällen des Druckers, Überhitzung sowie Rauch, Feuer oder elektrischen Schlägen führen.**

- Keine Gegenstände in den Drucker einführen. Keine Flüssigkeiten in den Drucker spritzen. Keine Gegenstände auf dem Drucker ablegen.



- Lassen Sie keine Metallgegenstände wie Büroklammern, Heftklammern oder Schrauben in den Drucker fallen.



- Stellen Sie keine Blumenvasen, Töpfe oder sonstige Behälter mit Flüssigkeiten auf dem Drucker ab.

- Achten Sie darauf, dass keine Getränke oder sonstigen Flüssigkeiten in den Drucker geraten.



- Keine Insektenvertilgungsmittel oder sonstige Chemikalien auf den Drucker sprühen.

- **Wenn metallische Fremdkörper in den Drucker fallen, kann dies einen Ausfall des Druckers, Feuer oder Stromschläge verursachen. In derartigen Fällen ist der Drucker sofort abzuschalten und vom Netz zu trennen. Wenden Sie sich an Ihren örtlichen Citizen Systems-Händler.**

Gehen Sie stets sachgemäß mit dem Drucker um:

- Setzen Sie den Drucker keinen heftigen Stößen oder starken Erschütterungen aus (z. B. durch Darauftreten, Fallenlassen oder Schlägeinwirkungen).



- Den Drucker nicht demontieren oder sonstig modifizieren.

- **Bei nicht sachgemäßem Umgang kann es zum Ausfall des Druckers, Überhitzung sowie Brand- und Rauchentwicklung oder elektrischen Schlägen kommen.**



- Platzieren, verwenden und lagern Sie den Drucker außerhalb der Reichweite von Kindern.

- **Von elektrischen Geräten können bei unsachgemäßer Handhabung oder Verwendung Unfall- und Verletzungsrisiken ausgehen.**



- **Achten Sie darauf, dass sich das Netzkabel und die Signalkabel außerhalb der Reichweite von Kindern befinden. Der Drucker ist so aufzustellen, dass Kinder keinen Zugang zum Geräteinnern erlangen können.**

- Die Kunststoffhülle, in der sich der Drucker bei der Lieferung befindet, ist ordnungsgemäß zu entsorgen oder außerhalb der Reichweite von Kindern aufzubewahren. Wenn die Hülle über den Kopf gezogen wird, besteht Erstickengefahr.

VORSICHT

Unter folgenden Bedingungen darf der Drucker nicht verwendet werden:

- Vibrierende oder instabile Aufstellungsorte vermeiden.
- Standorte vermeiden, an denen keine waagerechte Aufstellung des Druckers möglich ist:
- **Der Drucker kann herunterfallen und Verletzungen verursachen.**
- **Die Druckqualität kann sich verschlechtern.**
 - Die Belüftungsöffnungen des Druckers nicht abdecken.
 - Keine Gegenstände auf den Drucker stellen oder legen.
 - Den Drucker nicht mit Tüchern oder Decken abdecken oder einhüllen.
- **Der entstehende Wärmestau könnte Gehäuseverformungen verursachen oder einen Brand entstehen lassen.**
- Stellen Sie den Drucker nicht in der Nähe von Rundfunk- oder Fernsehempfängern auf und schließen Sie ihn nicht an dieselbe Netzsteckdose an wie diese Geräte.
- Vermeiden Sie es, den Drucker über nicht abgeschirmte Kabel oder Leitungen zu betreiben. (Verwenden Sie für die Signalleitungen abgeschirmte Kabel oder verdrehte Doppelkabel mit Ferritkernen oder andere Abschirmverfahren.)
- Benutzen Sie den Drucker nicht zusammen mit Geräten, die starke Störstrahlung abgeben.
- **Der Drucker kann den Radio- oder Fernsehempfang in der Umgebung beeinträchtigen. Es besteht auch die Möglichkeit, dass benachbarte elektrische Geräte den Drucker beeinflussen und dadurch Datenfehler oder Funktionsstörungen auftreten.**
- Installation in einer anderen Ausrichtung als vorgeschrieben.
- **Andernfalls besteht die Gefahr von Fehlfunktionen, Ausfällen oder Stromschlag.**



- Der Drucker muss mit einem Erdungsanschluss verbunden werden.
- **Erdschlüsse können elektrische Schläge verursachen.**
- Schließen Sie die Erdung des Druckers nicht an folgende Gegenstände an:
 - * Gasleitungen
 - **Andernfalls besteht die Gefahr von Gasexplosionen.**
 - * Erdungen von Telefonleitungen
 - * Blitzableiter
 - **Andernfalls besteht bei Blitzeinschlägen durch Spannungsspitzen Brand- oder Stromschlaggefahr.**
 - * Wasserleitungen
 - **Wasserleitungen aus Kunststoff sind zur Erdung nicht geeignet (sofern keine Zustimmung der zuständigen Wasserwerke vorliegt).**
- Ziehen Sie vor dem Anschließen oder Trennen des Drucker-Erdungsleiters stets den Netzstecker des Geräts.



VORSICHTSMASSNAHMEN BEI DERHANDHABUNG DES DRUCKERS



WARNHINWEIS

Beachten Sie die nachstehenden Vorsichtsmaßnahmen zur Stromversorgung und zum Netzkabel:

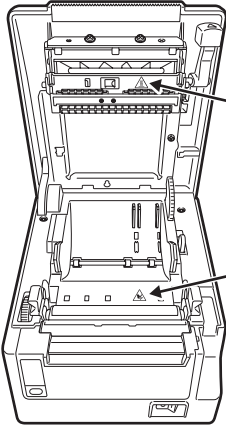
- Den Netzstecker nicht mit feuchten Händen anschließen oder ziehen.
- Betreiben Sie den Drucker ausschließlich mit der angegebenen Netzspannung und -frequenz.
- Verwenden Sie für den Drucker ausschließlich das angegebene externe Netzteil.
- Stellen Sie sicher, dass die Netzsteckdose, an die der Drucker angeschlossen ist, eine ausreichende Belastbarkeit aufweist.
- Verwenden Sie zur Stromversorgung keine Anschlussleisten oder Mehrfachsteckdosen, an die gleichzeitig auch andere Geräte angeschlossen sind.
- Säubern Sie den Netzstecker vor dem Anschließen an eine Steckdose von Staub und anderen Ablagerungen.
- Verwenden Sie keine verformten oder beschädigten Netzkabel.
- Bewegen Sie den Drucker nicht in eingeschaltetem Zustand.
- **Eine unsachgemäße Handhabung kann zum Ausfall des Druckers, zu Brand- und Rauchentwicklung oder elektrischen Schlägen führen.**
- **Bei Überlastung kann sich das Netzkabel überhitzen und in Brand geraten oder der Schutzschalter ausgelöst werden.**
- Stellen Sie keine Gegenstände auf das Netzkabel. Stellen Sie den Drucker so auf, dass nicht auf das Netzkabel getreten wird.
- Achten Sie darauf, dass das Netzkabel beim Benutzen und Transportieren des Druckers nicht verbogen oder verdreht und keinem Zug ausgesetzt wird.
- Versuchen Sie nicht, das Netzkabel zu modifizieren.
- Bringen Sie das Netzkabel nicht in die Nähe von Heizgeräten.
- **Die Nichtbeachtung dieser Vorsichtsmaßnahmen kann Aderbrüche oder Beschädigungen der Isolierung zur Folge haben, wodurch die Gefahr von Kriechströmen, elektrischen Schlägen oder Fehlfunktionen des Druckers besteht. Wenn das Netzkabel beschädigt wurde, wenden Sie sich bitte an Ihren Citizen-Systems-Händler.**
- Achten Sie darauf, dass der Zugang zu der verwendeten Steckdose nicht durch abgestellte Gegenstände behindert wird.
- Versorgen Sie den Drucker über eine günstig platzierte Steckdose, die im Notfall schnell erreichbar ist.
- **Ziehen Sie in einem Notfall zur schnellen Abschaltung den Netzstecker.**
- Stecken Sie den Netzstecker ordnungsgemäß in die Steckdose.
- Ziehen Sie bei längerer Nichtbenutzung des Druckers den Netzstecker aus der Steckdose.
- Nach dem Abschalten des Druckers und des daran angeschlossenen Geräts beim Trennen des Netzkabels oder der Signalleitung den Stecker und den Anschluss greifen.





VORSICHT

Der Warnaufkleber befindet sich an der in der untenstehenden Zeichnung gezeigten Position. Lesen Sie die Vorsichtsmaßnahmen sorgfältig durch, bevor Sie den Drucker in Betrieb nehmen.



DIESER AUFKLEBER WEIST DARAUF HIN, DASS BEI GEÖFFNETER PAPIERABDECKUNG VERBRENNUNGSGEFAHR DURCH HOHE TEMPERATUREN AM DRUCKKOPF SOWIE DIE GEFAHR VON SCHNITTVERLETZUNGEN DURCH DEN MANUELLEN UND AUTOMATISCHEN PAPIERSCHNEIDER BESTEHT.

- Transportieren Sie diesen Drucker nicht mit eingesetzter Papierrolle.
- **Es besteht die Gefahr von Fehlfunktionen oder Schäden am Drucker.**

Beachten Sie die folgenden Hinweise, um Fehlfunktionen zu vermeiden.

- Die Papierabdeckung darf während des Drucks nicht geöffnet werden.
- Den Drucker nicht mit nicht ordnungsgemäß eingesetzter Papierrolle verwenden.
- Kein Papier verwenden, das nicht den Spezifikationen entspricht.
- **Mögliche Beeinträchtigung der Druckqualität.**
- Verwenden Sie kein eingerissenes oder mit Klebestreifen zusammengefügtes Papier.
- Nicht mit der Hand gewaltsam am bereits eingesetzten Papier ziehen.
- Betätigen Sie die Tasten des Bedienungsfelds nicht mit spitzen Gegenständen.



- Achten Sie darauf, dass die Kabelstecker fest in die zugehörigen Buchsen eingesteckt sind.
- **Bei Querschaltung kann es zu Beschädigungen der Druckerelektronik oder der Hardware des Host-Systems kommen.**
- Schließen Sie den Drucker mit Geldlade-Kickout-Funktion ausschließlich an Geräte an, die ein Solenoid mit für die Geldlade-Kickout-Buchse geeigneten technischen Daten besitzen.
- **Bei Nichtbeachtung dieser Vorsichtsmaßnahme können Funktionsfehler und Störungen auftreten.**



VORSICHT

Beachten Sie die folgenden Hinweise, um bei Ausfällen des Geräts Verletzungen und Beschädigungen zu vermeiden.

- Achten Sie bei geöffneter Papierabdeckung darauf, nicht den manuellen Papierschneider zu berühren, der sich im Papierauswurfschlitze befindet.
- Die Druckoberfläche des Thermokopfes nicht berühren.
- Berühren Sie während des Druckerbetriebs keine beweglichen Teile im Inneren des Druckers (z. B. Papierschneider, Zahnräder und aktive elektrische Bauteile).
- Versuchen Sie nicht, den Drucker bei etwaigen Problemen selbst zu reparieren. Verständigen Sie den Citizen Systems-Kundendienst.
- Achten Sie darauf, sich an der Druckerabdeckung nicht die Hände oder Finger einzuklemmen.
- Achten Sie darauf, sich an scharfen Kanten am Drucker nicht zu verletzen und damit keine anderen Gegenstände zu beschädigen.
- **Hier besteht Stromschlag-, Verbrennungs- und Verletzungsgefahr.**



Falls beim Drucken Rauch, ungewöhnliche Gerüche oder Geräusche entstehen, brechen Sie den Druckvorgang sofort ab und ziehen Sie den Netzstecker aus der Steckdose.

TÄGLICHE WARTUNG

Beachten Sie bei der täglichen Wartung die folgenden Vorsichtsmaßnahmen:

- Vor dem Reinigen schalten Sie stets den Drucker aus und ziehen Sie den Netzstecker.
- Zum Abwischen der Oberfläche des Druckergehäuses ein weiches, trockenes Tuch verwenden.
Hartnäckige Verschmutzungen mit einem weichen Tuch entfernen, das leicht mit Wasser befeuchtet wurde.
Verwenden Sie keine organischen Lösungsmittel wie Alkohol, Verdünner, Trichlorethen, Benzol oder Keton. Verwenden Sie keine chemisch behandelten Reinigungstücher.
- Zum Entfernen von Papierstaub einen weichen Pinsel verwenden.



VORSICHT

- **Unmittelbar nach dem Drucken ist der Thermokopf sehr heiß, sodass Verbrennungsgefahr besteht. Warten Sie vor der Durchführung von Wartungsarbeiten ab, bis der Thermokopf abgekühlt ist.**

Auf der folgenden Website finden Sie die Dokumentation, Treiber, Dienstprogramme und weitere Informationen:
<http://www.citizen-systems.co.jp/english/support/index.html>

INHALTSVERZEICHNIS

1. ALLGEMEINE ÜBERSICHT	9
1.1 Funktionen.....	9
1.2 Auspacken.....	10
1.3 Modellklassifizierung.....	10
1.4 Grundlegende technische Daten	11
2. ERLÄUTERUNG DER DRUCKERKOMPONENTEN.....	12
2.1 Ansicht des Druckers.....	12
2.2 Unter der Papierabdeckung	15
2.3 Weitere integrierte Funktionen.....	16
3. EINRICHTUNG.....	17
3.1 Anschließen des Netzkabels	17
3.2 Anschließen von Schnittstellenkabeln.....	18
3.3 Anschließen der Geldlade.....	20
3.4 Hinweise zum Installieren des Druckers	22
3.5 Trennvorrichtung für Papierrollen	23
3.6 Einstellen des DIP-Schalters auf der seriellen Schnittstellenkarte	24
3.7 Einstellen des Papiermengen-Sensors	26
3.8 Einlegen von Papier.....	27
3.9 Anbringen der Hauptschalterabdeckung	28
3.10 Anbringen der Schnittstellenabdeckung	29
3.11 Entfernen der Schnittstellenabdeckung.....	29
4. WARTUNG UND FEHLERBEHEBUNG.....	30
4.1 Regelmäßige Reinigung.....	30
4.2 Beheben einer Cuttersperre (1)	31
4.3 Beheben einer Cuttersperre (2)	31
4.4 Statusausdruck	33
4.5 Hexdump-Ausdruck.....	34
4.6 Fehlermeldungen.....	35
5. SONSTIGES.....	37
5.1 Äußere Ansicht und Abmessungen	37
5.2 Druckpapier	38
5.3 Manuelle Einstellung von Speicherschaltern.....	39

1. ALLGEMEINE ÜBERSICHT

Die Modelle CT-S651 sind Thermo-Zeilendrucker, die sich für verschiedene Terminallösungen eignen, darunter Daten-, POS- und Küchenterminals. Diese Geräte besitzen umfassende Funktionen und können in einer Vielzahl von Anwendungsbereichen eingesetzt werden.

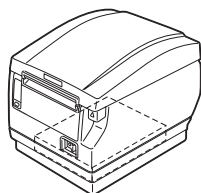
1.1 Funktionen

- Hochgeschwindigkeitsdruck (200 mm/s)
- Kompaktes Design ermöglicht die Installation überall (maximale Papierrollengröße 83 mm (3 Zoll))
- Wassergeschützte Konstruktion verhindert, dass von oben her Wasser eindringt
- Durch Papierausgabe nach vorne kann der Drucker auch auf engem Raum aufgestellt werden
- Auswahl zwischen zwei Modellen mit entweder 83/80 mm (3 Zoll) oder 60/58 mm (2 Zoll) Papierrollenbreite
- Modelle mit integriertem Netzgerät oder mit Netzteil lieferbar
- LED und Signaltongebener zur Druckerstatus- und Fehleranzeige
- Schnell und leise arbeitender Papierschneider
- Einfache Behebung von Papierschneider-Blockierungen
- Wechselbare Schnittstelle
- Eingebaute Geldlade-Kickout-Schnittstelle
- Speicherschalter ermöglichen spezifische Anpassungen
- Benutzerspeicher für vom Benutzer definierte Sonderzeichen und Logos
- Druck von Strichcodes und 2D-Strichcodes wird unterstützt
- 2-Farb-Druck wird unterstützt (bei Verwendung von entsprechendem Papier)
- Treiber und Dienstprogramm-Software mitgeliefert

1.2 Auspacken

Vergewissern Sie sich beim Auspacken des Druckers, dass alle nachstehend aufgeführten Komponenten vorhanden sind:

- | | | | |
|----------------------------|---------|--|---|
| ● Drucker: | 1 | ● Kurzanleitung: | 1 |
| ● Schnittstellenabdeckung: | 1 | ● Netzteil*1: | 1 |
| ● Netzkabel: | 1 | ● USB-Kabel*2: | 1 |
| ● Hauptschalterabdeckung: | 1 | Hinweise: | |
| ● Probe-Papierrolle: | 1 Rolle | *1: nur CT-S651A | |
| ● CD-ROM: | 1 | *2: nur Modelle mit USB-Schnittstelle
In bestimmten Märkten | |



CT-S651S
(Ausführung mit integriertem Netzgerät)
Netzgerät 36AD3 integriert



Netzkabel



USB-Kabel



Probe-
Papierrolle



Kurzanleitung



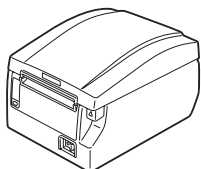
Hauptschalterabd-
eckung



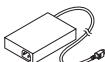
CD-ROM



Schnittstellenabdeckung



CT-S651A
(Ausführung mit Netzteil)



Netzteil
(36AD2)



Netzkabel



USB-Kabel



Probe-
Papierrolle



Kurzanleitung



Hauptschalterab-
deckung



CD-ROM



Schnittstellenabdeckung

1.3 Modellklassifizierung

Die Modellbezeichnungen geben die Funktionsausstattung der Druckermodelle nach dem folgenden Schema an:

CT - S651S 3 RS E - BK - P M1

Stromversorgung

DC: Keine Stromversorgung
S: Ausführung mit integriertem Netzgerät
A: Ausführung mit Netzteil

Papierbreite
3: 80/83 mm (3 Zoll)
2: 58/60 mm (2 Zoll)

Schnittstelle

PA: Parallel
RS: Seriell, RS-232C
UB: nur USB
UH: USB mit Hub
ET: Ethernet (Standardausführung)
ES: Ethernet (Multifunktionsausführung)
UP: Powered USB

Markt*

J: Japan
U: Nordamerika
A: Asien
C: China

BM-Sensor
: Nein
M1: Links
M2: Rechts

PNE-Sensor
: Nein
P: PNE-Sensor

Gehäusefarbe
WH: Cool White
BK: Schwarz

Hinweis:

*: Netzkabel, Verschraubung der seriellen Schnittstelle, Firmware und weitere technische Details können je nach Markt variieren.

1.4 Grundlegende technische Daten

Merkmal	Technische Daten					
Modell	CT-S651					
Druckverfahren	Thermo-Zeilenpunktdruck					
Druckbreite *1	80 mm/640 Punkte, 72 mm/576 Punkte, 64 mm/512 Punkte, 54,5 mm/436 Punkte, 54 mm/432 Punkte, 52,5 mm/420 Punkte, 48 mm/384 Punkte, 45 mm/360 Punkte, 48,75 mm/390 Punkte, 68,25 mm/546 Punkte					
Punktweite	8 × 8 Punkte/mm (203 dpi)					
Druckgeschwindigkeit	200 mm/s (max., Druckdichte 100 %), 1600 Punktzeilen/s					
Anzahl Druckspalten *2	—	Maximale Anzahl der Zeichen (Spalten)				Punktconfiguration (Punkte)
	Papierbreite	83 mm	80 mm	60 mm	58 mm	
	Schrift					
	Schrift A	53	48	36	35	
	Schrift B	71	64	48	46	
Schrift C	80	72	54	52	8 × 16	
Zeichengröße*3	Schrift A: 1,50 × 3,00 mm Schrift C: 1,00 × 2,00 mm Schrift B: 1,13 × 2,13 mm					
Zeichentyp	Alphanumerisch, international, Codeseiten PC437/850/852/857/858/860/863/864/865/866/WPC1252/Katakana/Thai Code 18					
Benutzerspeicher	384 KB (zum Speichern von benutzerdefinierten Zeichen und Logos)					
Strichcode-Typen	UPC-A/E, JAN (EAN) 13/8 Spalten, ITF, CODE39, CODE128, CODABAR (NW-7), CODE93, PDF417, QR Code					
Zeilenabstand	4,23 mm (1/6 Zoll) (per Befehl veränderbar)					
Papierrolle	Papierrolle: 83 ⁺⁰ ₋₁ mm/80 ⁺⁰ ₋₁ mm/60 ⁺⁰ ₋₁ mm/58 ⁺⁰ ₋₁ mm × max. φ83 mm Papierstärke: 65-75 µm (Kernrohr-Durchmesser: innen 12 mm / außen 18 mm) 75-85 µm (Kernrohr-Durchmesser: innen 25,4 mm / außen 32 mm)					
Schnittstelle	Seriell (RS-232C-kompatibel), Parallel (IEEE 1284-kompatibel), USB, USB mit Hub, Ethernet, Powered USB					
Geldlade-Kickout-Funktion	2 Fächer werden unterstützt					
Puffergröße	4 kByte / 45 Byte					
Versorgungsspannung	24 V Gleichspannung ±5 %					
Leistungsaufnahme	Ca. 45 W (normaler Druckbetrieb), 3 W (Standby)					
Netzteil *4 (36AD2, 36AD3)	Nenn-Eingangsspannung: 100 bis 240 V AC, 50/60 Hz, 150 VA Nenn-Ausgangsspannung: 24 V DC, 2,1 A					
Gewicht	CT-S651S: Ca. 1,9 kg, CT-S651A: Ca. 1,5 kg					
Äußere Abmessungen	CT-S651S: 145 (B) × 192 (T) × 142 (H) mm CT-S651A: 145 (B) × 192 (T) × 114 (H) mm					
Betriebstemperatur und Luftfeuchtigkeit	5 bis 45 °C, 10 bis 90 % relative Luftfeuchtigkeit (nicht kondensierend)					
Lagertemperatur und Luftfeuchtigkeit	-20 bis 60 °C, 10 bis 90 % relative Luftfeuchtigkeit (nicht kondensierend)					
Zuverlässigkeit	Lebensdauer Druckkopf: 150 km, 200 Millionen Impulse (normale Temperatur/Luftfeuchtigkeit, empfohlene Papiersorte und -stärke) Lebensdauer automatischer Papierschneider: 2 Millionen Schnitte (Vollschnitt), 1,6 Millionen Schnitte (Teilschnitt) (normale Temperatur/Luftfeuchtigkeit, empfohlene Papiersorte und -stärke)					
Sicherheitsstandard *5	UL, C-UL, FCC Class A, TÜV-Bauart, CE Marking					

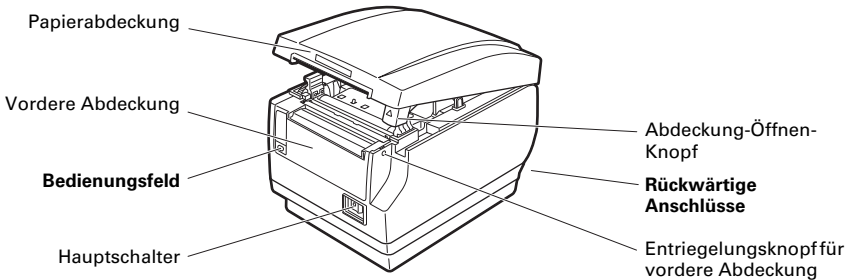
Hinweise:

- *1: Bei Papierbreite 83, 80, 60 oder 58 mm.
- *2: Die Anzahl der druckbaren Spalten wird per Speicherschalter eingestellt. Die Spaltenangaben in dieser Tabelle beziehen sich auf ein typisches Modell. Die Anzahl der druckbaren Spalten ist je nach Druckerspezifikation unterschiedlich.
- *3: Da die angegebene Zeichengröße jeweils einen Leerbereich beinhaltet, der das Zeichen umgibt, sieht das tatsächliche Zeichen kleiner aus.
- *4: Das Netzteil 36AD2 wird mit dem CT-S651A als Zubehör mitgeliefert. Das Netzgerät 36AD3 ist in den CT-S651S integriert.
- *5: Wird erfüllt, sofern das Netzteil von Citizen Systems (36AD2/36AD3) eingesetzt wird.

2. ERLÄUTERUNG DER DRUCKERKOMPONENTEN

2.1 Ansicht des Druckers

Bezeichnungen der Komponenten



- **Papierabdeckung**
Wird zum Einlegen von Papier geöffnet.
- **Abdeckung-Öffnen-Knopf**
Mit diesem Knopf wird die Papierabdeckung geöffnet.
- **Vordere Abdeckung**
Öffnen und schließen Sie diese Abdeckung, um eine Blockierung des Papierschneidemessers zu beheben.

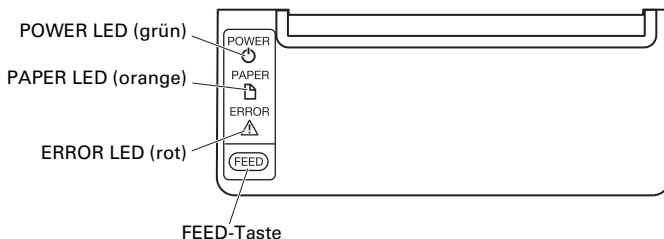


Siehe 4.3 Beheben einer Cuttersperre (2)

- **Entriegelungsknopf für vordere Abdeckung**
Drücken Sie diesen Knopf, um die vordere Abdeckung zu öffnen.

- **Hauptschalter**
Drücken Sie diesen Schalter, um das Gerät ein- bzw. auszuschalten.

Bedienungsfield



- **POWER LED (grün)**
Leuchtet bei eingeschalteter Versorgungsspannung und erlischt, wenn das Gerät ausgeschaltet wird.
Blinkt, wenn Daten empfangen werden oder ein Speicherfehler aufgetreten ist.
- **PAPER LED (orange)**
Leuchtet orange, wenn der Papiervorrat zur Neige geht (nahes Papierende) oder erschöpft ist (Papierende).
- **ERROR LED (rot)**
Blinkt bei zu heißem Druckkopf, geöffneter Papierabdeckung, Blockierung des Papierschneidmessers usw.
- **FEED-Taste**
Drücken Sie diese Taste, um den Papiervorschub zu betätigen.
Bei einer Blockierung des Papierschneidmessers entfernen Sie die Ursache der Blockierung, schließen Sie die Papierabdeckung und drücken Sie die FEED-Taste.
Der Drucker wechselt in den Modus zum Einstellen der Speicherschalter und zum Starten des Statusausdrucks.



Siehe 4.4 Statusausdruck

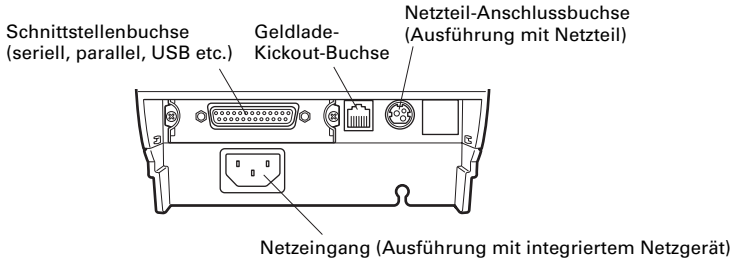


Siehe 4.6 Fehlermeldungen



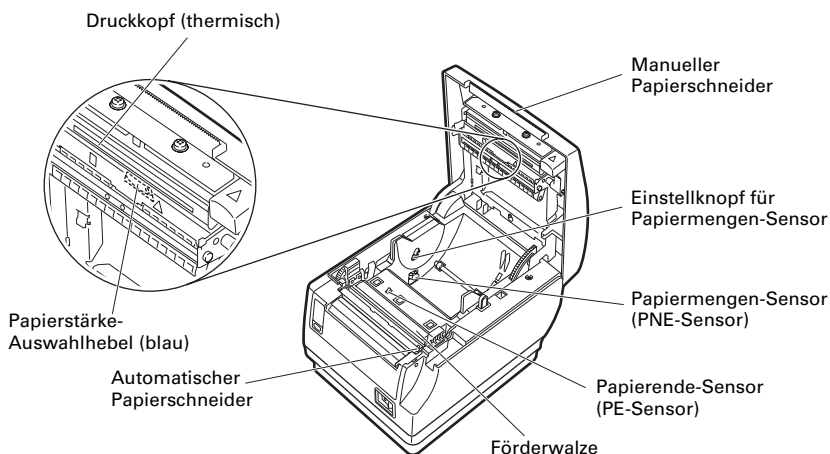
Siehe 5.3 Manuelle Einstellung von Speicherschaltern

Rückwärtige Anschlüsse



- Schnittstellenbuchse (seriell, parallel, USB etc.)
Anschluss für das Schnittstellenkabel.
Die serielle Schnittstellenkarte ist mit einem DIP-Schalter versehen.
- Geldlade-Kickout-Buchse
Zum Anschließen des Kabels von der Geldlade.
- Netzteil-Anschlussbuchse (Ausführung mit Netzteil)
Zum Anschließen des Kabels vom Netzteil.
- Netzeingang (Ausführung mit integriertem Netzgerät)
Anschluss für das Netzkabel.

2.2 Unter der Papierabdeckung



- **Förderwalze**
Bewirkt den Papiervorschub.
Die Förderwalze darf nur ausgebaut werden, wenn dies zu Wartungszwecken erforderlich ist.
- **Papiermengen-Sensor (PNE-Sensor)**
Erkennt, dass der Papiervorrat auf der Rolle zur Neige geht. Durch Anpassen der Sensorposition können Sie festlegen, wann das baldige Ende des Papiervorrats gemeldet werden soll.
- **Einstellknopf für Papiermengen-Sensor**
Passen Sie die Einstellung des Papiermengen-Sensors an die Stärke der verwendeten Papiersorte an.



Siehe 3.7 Einstellen des Papiermengen-Sensors

- **Manueller Papierschneider**
Zum manuellen Zuschneiden des Papiers nach dem Ende des Druckvorgangs.
- **Automatischer Papierschneider**
Schneidet das Papier nach dem Ende des Druckvorgangs automatisch zu.



Siehe 5.3 Manuelle Einstellung von Speicherschaltern

- **Druckkopf (thermisch)**
Druckt alphanumerische Zeichen und Grafikdaten auf Papier (Papierrollen).

- **Papierende-Sensor (PE-Sensor)**
Erkennt es, wenn sich kein Papier im Drucker befindet. Der Druckvorgang wird abgebrochen, wenn dieser Sensor meldet, dass kein Papier mehr vorhanden ist.
- **Papierstärke-Auswahlhebel (blau)**
Mit diesem Hebel können Sie je nach Stärke des verwendeten Papiers entweder normales oder dickes Papier wählen. (Werkseinstellung: 1)



VORSICHT

Verändern Sie nicht die werksseitige Voreinstellung des Papierstärke-Auswahlhebels.

2.3 Weitere integrierte Funktionen

- **Signaltongeber**
Erzeugt einen Signalton, wenn Fehler auftreten oder wenn Funktionen oder Befehle ausgeführt werden.



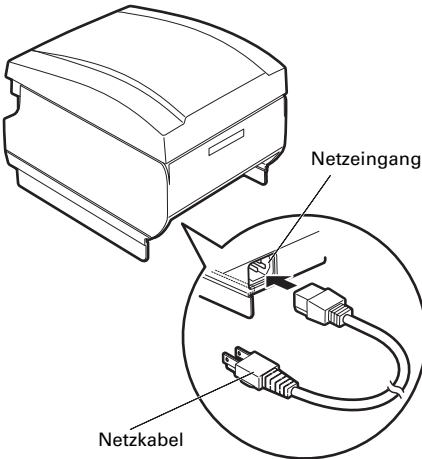
Siehe 4.6 Fehlermeldungen

- **Benutzerspeicher**
In diesem Speicher können Sie benutzerdefinierte Logo- und Schriftzeichendaten ablegen. Die Daten bleiben in diesem Speicher erhalten, auch wenn der Drucker ausgeschaltet wird. Hinweise zum Speichern von Daten finden Sie in der Befehlsreferenz.
- **Speicherschalter**
Die Einstellungen für verschiedene Arten von Funktionen können im Speicher abgelegt werden. Die Einstellungen bleiben im Speicher erhalten, auch wenn der Drucker ausgeschaltet wird.

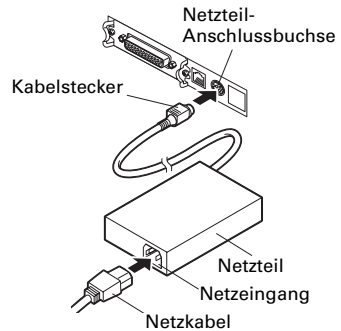
3. EINRICHTUNG

3.1 Anschließen des Netzkabels

1. Schalten Sie das Gerät aus.
2.
 - Bei dem Druckermodell mit integriertem Netzgerät verbinden Sie das Netzkabel mit dem Netzeingang, und schließen Sie den Netzstecker an eine Steckdose an.
 - Bei dem Druckermodell mit Netzteil schließen Sie den Kabelstecker des Netzteils an die Netzteil-Anschlussbuchse an. Verbinden Sie dann das Netzkabel mit dem Netzeingang, und schließen Sie den Netzstecker an eine Steckdose an.



Ausführung mit integriertem Netzgerät



Ausführung mit Netzteil

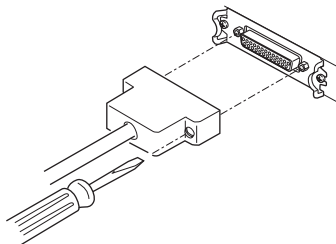


VORSICHT

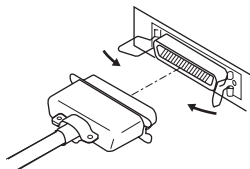
- Verwenden Sie ausschließlich ein Netzteil, das den vorgeschriebenen Nennwerten entspricht.
- Fassen Sie das Netzteil-Anschlusskabel beim Abziehen oder Anschließen stets direkt am Stecker an.
- Verwenden Sie keinen Versorgungsstromkreis, der gleichzeitig Geräte speist, die elektromagnetische Störungen erzeugen.
- Ziehen am Netzkabel kann eine Beschädigung des Kabels, Feuer, Stromschläge oder Brüche der Leitungsadern verursachen.
- Ziehen Sie bei aufziehendem Gewitter das Netzkabel aus der Steckdose. Blitzschläge können Brände oder Stromschläge verursachen.
- Verlegen Sie das Netzkabel nicht in der Nähe von Heizgeräten. Die Isolation des Netzkabels kann schmelzen und so einen Brand oder Stromschlag verursachen.
- Wenn der Drucker längere Zeit nicht genutzt wird, trennen Sie das Netzkabel von der Steckdose.
- Verlegen Sie das Netzkabel so, dass niemand darauftritt.

3.2 Anschließen von Schnittstellenkabeln

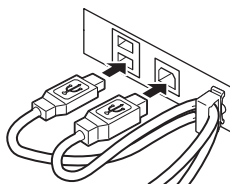
1. Schalten Sie das Gerät aus.
2. Richten Sie das Schnittstellenkabel richtig aus, und verbinden Sie es mit dem Schnittstellenanschluss.



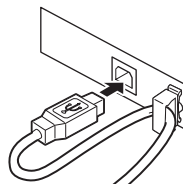
Serielle Schnittstelle



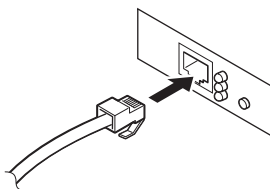
Parallele Schnittstelle



USB-Schnittstelle (Ausführung mit Hub)

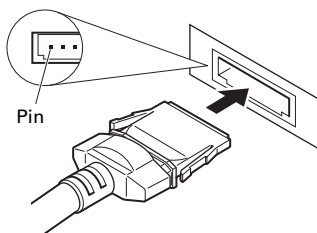


USB-Schnittstelle



Ethernet-Schnittstelle

Vorderansicht



Powered USB-Schnittstelle

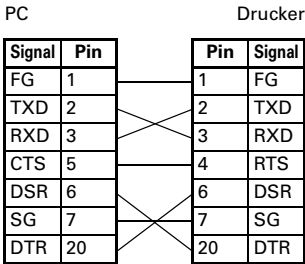


VORSICHT

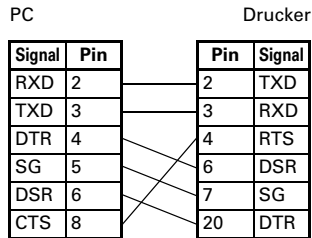
- **Trennen Sie das Netzteil stets vom Drucker, bevor Sie den Drucker an eine Powered USB-Schnittstelle anschließen. Andernfalls könnte der Host-PC beschädigt werden. Informationen zur Installation einer Powered USB-Schnittstelle erhalten Sie von Ihrem Citizen-Systemhändler.**
- Überprüfen Sie vor dem Anschließen des Powered USB-Kabelsteckers, ob er korrekt ausgerichtet ist. Schieben Sie den Stecker geradlinig ein, damit sich seine Kontaktstifte nicht verbiegen. Der Stecker muss so weit eingeschoben werden, dass er hörbar einrastet.
- Fassen Sie das Kabel beim Abziehen stets direkt am Stecker an.
- Achten Sie darauf, dass das USB-Schnittstellenkabel nicht an die Geldlade-Kickout-Buchse angeschlossen wird.
- Wenn Sie mehrere Drucker per USB an einen einzelnen Computer anschließen möchten, müssen Sie eine USB-Schnittstelle mit anderer Seriennummer verwenden.
- Halten Sie den Stecker des Ethernet-Schnittstellenkabels beim Einstecken und Abziehen senkrecht und gerade. Verkanten des Steckers kann zu Anschlussfehlern führen.

Verwenden Sie ein serielles Schnittstellenkabel mit der unten gezeigten Pinbelegung.

25-Pin – 25-Pin-Kabel



9-Pin – 25-Pin-Kabel

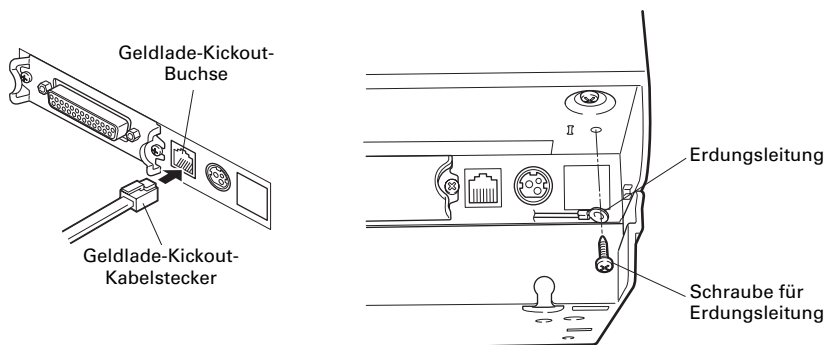


VORSICHT

Verlegen Sie das Schnittstellenkabel so, dass niemand darauftritt.

3.3 Anschließen der Geldlade

1. Schalten Sie das Gerät aus.
2. Achten Sie auf die richtige Ausrichtung des Geldlade-Kickout-Kabelsteckers und stecken Sie ihn in die Geldlade-Kickout-Buchse an der Rückseite des Druckers.
3. Entfernen Sie die Schraube für die Erdungsleitung.
4. Schrauben Sie die Erdungsleitung der Geldlade am Druckergehäuse fest.



VORSICHT

- Schließen Sie ausschließlich den Geldlade-Kickout-Kabelstecker an die Geldlade-Kickout-Buchse an. (Schließen Sie kein Telefonkabel an.)
- Während des Druckvorgangs können keine Signale über die Geldlade-Kickout-Buchse ausgegeben werden.
- Halten Sie den Geldlade-Kickout-Kabelstecker beim Einstecken und Abziehen senkrecht und gerade. Verkanten des Steckers kann zu Anschlussfehlern führen.

(1) Pinbelegung der Buchse

Pin Nr.	Signal	Funktion
1	FG	Gehäusemasse
2	DRAWER1	Steuersignal Geldlade 1
3	DRSW	Geldlade-Schaltereingang
4	VDR	Stromversorgung für Geldladeantrieb
5	DRAWER2	Steuersignal Geldlade 2
6	GND	Signalmasse (gemeinsames Massepotenzial der Stromkreise)



Verwendete Buchse:
TM5RJ3-66 (Hirose)
oder äquivalent
Benötigter Stecker:
TM3P-66P (Hirose) oder
äquivalent

(2) Elektrische Eigenschaften

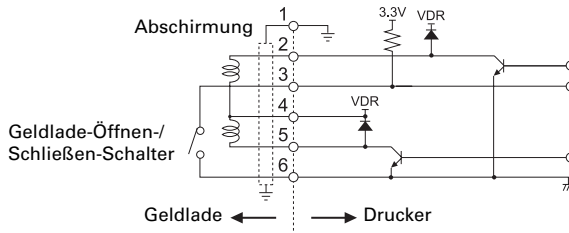
- 1) Antriebsspannung: 24 V Gleichspannung
- 2) Antriebsstrom: Ca. 1 A max. (maximale Dauer 510 ms)
- 3) DRSW-Signal: Signalpegel: „L“ = 0 bis 0,8 V, „H“ = 2 bis 3,3 V

(3) DRSW-Signal

Der DRSW-Signalstatus kann mit den Befehlen DLE+EOT, GS+a oder GS+r bzw. an Pin 34 des parallelen Schnittstellenanschlusses geprüft werden.

(4) Antriebsstromkreis

Geldlade-Kickout-Buchse

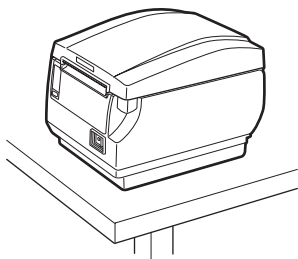


VORSICHT

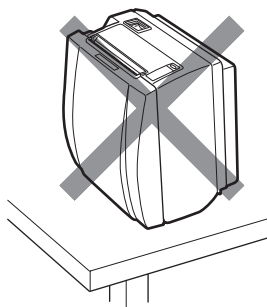
- Die Geldladen 1 und 2 können nicht gleichzeitig verwendet werden.
- Für die Geldlade ist ein Solenoid mit mindestens 24 Ω zu verwenden. Die Stromstärke darf 1 A nicht überschreiten. Eine zu hohe Stromstärke könnte zu Beschädigungen oder zum Durchbrennen der Stromkreise führen.

3.4 Hinweise zum Installieren des Druckers

Dieser Drucker darf nur horizontal aufgestellt werden. Vertikale Aufstellung oder Wandaufhängung sind nicht möglich.



Horizontale Ausrichtung



Vertikale Ausrichtung



VORSICHT

Unter folgenden Bedingungen darf der Drucker nicht verwendet werden:

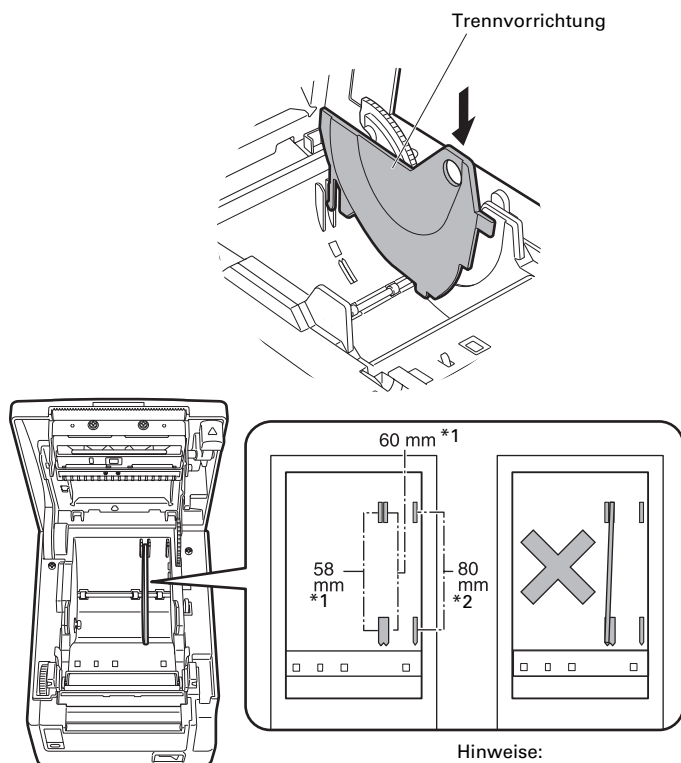
- Standorte, die Vibrationen ausgesetzt oder instabil sind
- Stark verschmutzte oder sehr staubhaltige Standorte
- Standorte, an denen keine ebene Aufstellung des Druckers möglich ist:
- **Der Drucker kann herunterfallen und Verletzungen verursachen.**
- **Die Druckqualität kann sich verschlechtern.**
- Andere Ausrichtung als vorgeschrieben:
- **Der Drucker kann Fehlfunktionen aufweisen, beschädigt werden oder Stromschläge verursachen.**

3.5 Trennvorrichtung für Papierrollen

Stellen Sie die Trennvorrichtung auf die Breite der eingelegten Papierrollen ein. Werksseitig ist die Trennvorrichtung auf die unten gezeigte Position eingestellt.

- Für 3-Zoll-Ausführung: Papierrolle mit 80 mm Breite
- Für 2-Zoll-Ausführung: 58 mm breite Papierrolle, 60 mm breite Papierrolle (2-Blatt-Trennvorrichtung installiert.)

1. Schalten Sie das Gerät aus.
2. Drücken Sie den Abdeckung-Öffnen-Knopf oben, um die Papierabdeckung zu öffnen.
3. Drücken Sie die Trennvorrichtung in Pfeilrichtung und lassen Sie sie in eine Kerbe einrasten, die der Breite der verwendeten Papierrolle entspricht. Hinweis: Wenn Papierrollen mit 83 mm Breite verwendet werden sollen, muss die Trennvorrichtung entfernt werden. Wenn Sie bei der 2-Zoll-Ausführung eine 60 mm breite Papierrolle verwenden, entfernen Sie die eingebaute Trennvorrichtung für 58 mm.
4. Zum Ändern der Papierbreite-Einstellungen siehe „5.3 Manuelle Einstellung von Speicherschaltern“.



Hinweise:

*1: 2-Zoll-Ausführung (58/60 mm)

*2: 3-Zoll-Ausführung (80/83 mm)

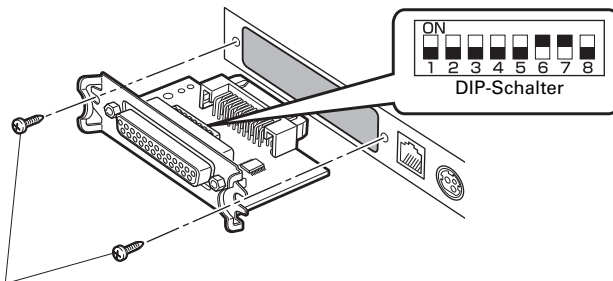


VORSICHT

Achten Sie darauf, dass sich die Trennvorrichtung beim Einstellen für 58-mm- oder 60-mm-Papierrollen nicht schräg stellt.

3.6 Einstellen des DIP-Schalters auf der seriellen Schnittstellenkarte

1. Schalten Sie den Drucker aus und trennen Sie das Netzkabel von der Steckdose.
2. Entfernen Sie die Befestigungsschrauben der seriellen Schnittstellenkarte.
3. Ziehen Sie die serielle Schnittstellenkarte aus dem Drucker heraus.
4. Nehmen Sie die DIP-Schalter-Einstellungen gemäß der folgenden Tabelle vor.



Befestigungsschrauben für serielle Schnittstellenkarte



VORSICHT

Entfernen Sie beim Einstellen des DIP-Schalters keine anderen Schrauben als die Befestigungsschrauben der seriellen Schnittstellenkarte.

Nachstehend finden Sie eine Funktionsbeschreibung der einzelnen Schalter. (Die werksseitigen Einstellungen sind schattiert dargestellt, können sich aber je nach Zielmarkt unterscheiden.)

Schalter Nr.	Funktion	ON	OFF
1	Einstellungen für das Kommunikationsverfahren	Gemäß DIP-Schalter-Einstellungen	Gemäß Speicherschalter-Einstellungen
2	Handshake	XON/XOFF	DTR/DSR
3	Bitlänge	7 Bit	8 Bit
4	Paritätsprüfung	Ja	Nein
5	Paritätsauswahl	Gerade Parität	Ungerade Parität
6	Baudraten-Auswahl	Siehe die folgende Tabelle.	
7			
8	INIT	Reset	Ungültig

Baudraten-Auswahl

Baudrate (bps)	Schalter Nr.	
	6	7
2400	OFF	OFF
4800	ON	OFF
9600	OFF	ON
19200	ON	ON

Wenn Schalter Nr. 1 auf AUS eingestellt ist, können Sie per Befehl oder Speicherschalter 1200, 38400, 57600 oder 115200 bps wählen.

3.7 Einstellen des Papiermengen-Sensors

Ändern Sie die Einstellung des Papiermengen-Sensors, um festzulegen, bei welcher Position ein zur Neige gehender Papiervorrat erkannt werden soll.

1. Drücken Sie mit einem spitzen Gegenstand, z. B. einem Kugelschreiber, vorsichtig auf den Knopf, um die Stellung des Papiermengen-Sensors anzupassen.
2. Halten Sie den Knopf eingedrückt und schieben Sie den Papiermengen-Sensor nach oben und unten. In der folgenden Tabelle sind die jeweils geeigneten Sensorpositionen für die verschiedenen Papierrollendurchmesser aufgeführt.

(Einheit: mm)

Sensorposition	Außendurchmesser, bei dem ein zur Neige gehender Papiervorrat erkannt wird	Außen-/Innenkerndurchmesser der verwendeten Papierrolle
A	Ca. $\phi 31$	$\phi 18/\phi 12$
B*	Ca. $\phi 23$	$\phi 18/\phi 12$
C	Funktion des Papiermengen-Sensors ist deaktiviert.	

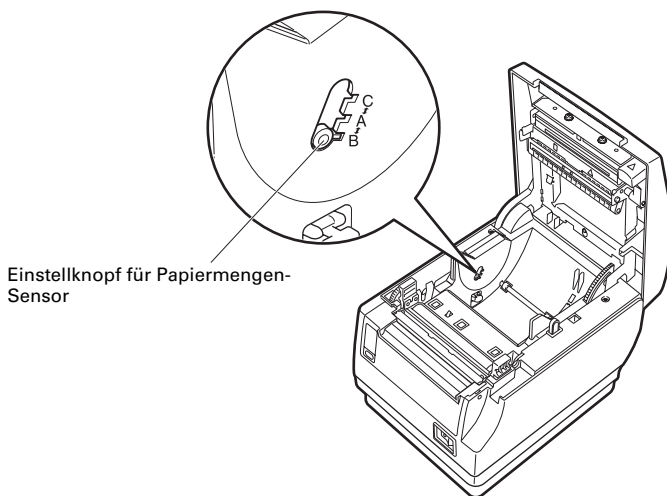
Hinweis:

*: Sensorposition beim Versand ab Werk. Die werksseitigen Voreinstellungen sind allerdings je nach Zielmarkt unterschiedlich.



VORSICHT

Der erkannte Papierrollendurchmesser ist nur ein geschätzter Wert. Je nach Papiersorte sind gewisse Abweichungen möglich.

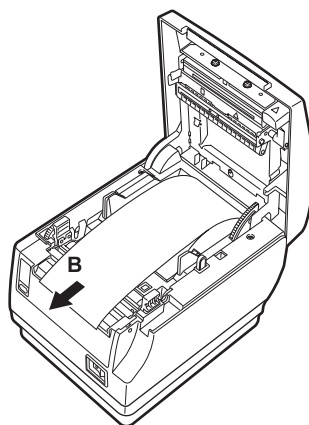
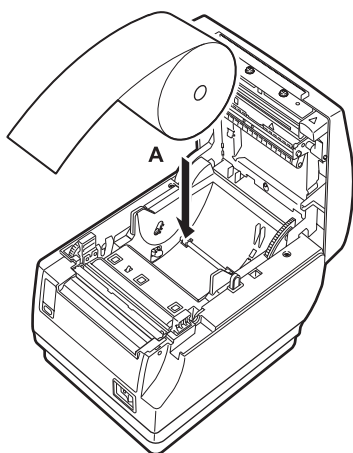
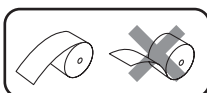


3.8 Einlegen von Papier

1. Schalten Sie das Gerät ein.
2. Drücken Sie den Abdeckung-Öffnen-Knopf nach oben, um die Papierabdeckung zu öffnen.
3. Legen Sie die Papierrolle so ein, dass die zu bedruckende Papierseite nach oben zeigt (Pfeil A).
4. Ziehen Sie das Papier einige Zentimeter weit geradlinig in Richtung von Pfeil B.
5. Schließen Sie die Papierabdeckung und lassen Sie sie hörbar einrasten. Das Papier wird automatisch vorgeschoben und abgeschnitten (Werkseinstellung).



Siehe 5.3 Manuelle Einstellung von Speicherschaltern



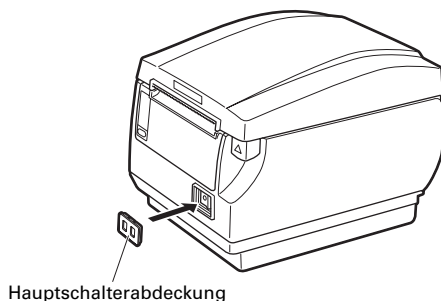
VORSICHT

- Verwenden Sie ausschließlich die angegebenen Papierrollentypen.
- Stellen Sie sicher, dass die Einstellung dem Papierrollentyp entspricht.
- Wenn das Papier schräg läuft und nicht gerade aus der Papierabdeckung ausgeschoben wird, öffnen Sie diese und richten Sie das Papier gerade aus.
- Ziehen Sie stets einige Zentimeter Papier geradlinig aus dem Drucker, wenn Sie die Papierabdeckung öffnen, während Papier eingelegt ist.
- Drücken Sie auf die Mitte der Papierabdeckung, um sie sicher zu schließen.
- Achten Sie darauf, sich beim Einlegen des Papiers nicht an den Papierkanten zu schneiden.
- Berühren Sie nicht den Druckkopf oder den manuellen oder automatischen Papierschneider, während die Papierabdeckung geöffnet ist. Dabei können Sie sich Brand- oder Schnittverletzungen zuziehen.

3.9 Anbringen der Hauptschalterabdeckung

Bringen Sie diese Abdeckung an, damit der Hauptschalter nicht betätigt werden kann.

1. **Drücken Sie die Hauptschalterabdeckung in das Hauptschalterfach ein, bis sie hörbar einrastet.**

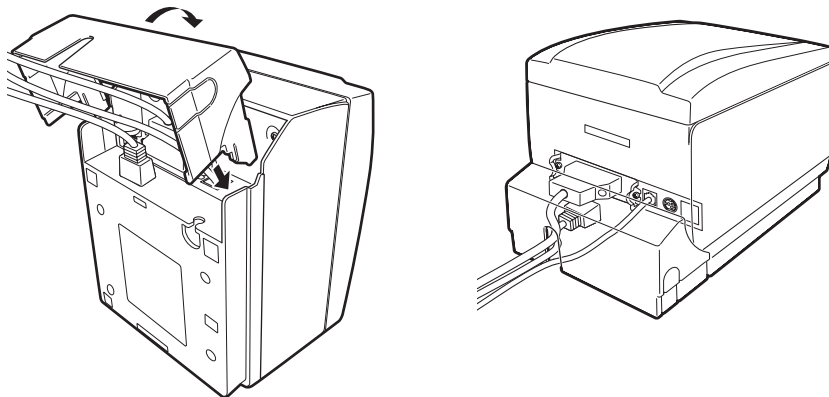


Führen Sie einen Schraubendreher oder einen anderen spitzen Gegenstand in die Vertiefungen in der Hauptschalterabdeckung ein, um sie wieder abzunehmen.

3.10 Anbringen der Schnittstellenabdeckung

Bringen Sie die Schnittstellenabdeckung an der Rückseite des Druckers an. Die Form der Schnittstellenabdeckung ist je nach Art der Stromversorgung unterschiedlich.

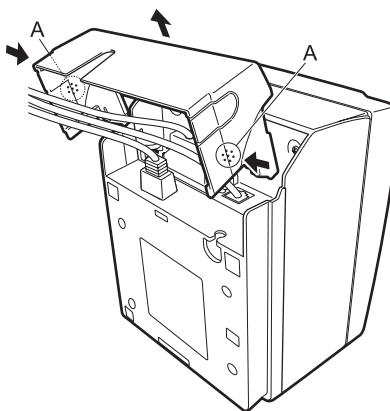
1. Drücken Sie die Schnittstellenabdeckung wie in der Abbildung gezeigt ein, bis sie hörbar einrastet.



CT-S651S

3.11 Entfernen der Schnittstellenabdeckung

Drücken Sie die Schnittstellenabdeckung beidseitig an den mit A bezeichneten Punkten zusammen, um sie abzunehmen.



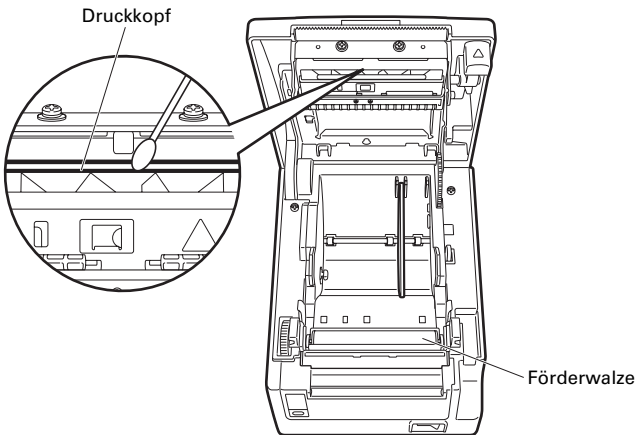
CT-S651S

4. WARTUNG UND FEHLERBEHEBUNG

4.1 Regelmäßige Reinigung

Verschmutzungen am Druckkopf und auf der Förderwalze können zur Beeinträchtigung der Druckqualität führen und Funktionsstörungen bewirken. Wir empfehlen eine regelmäßige Reinigung des Druckers (alle 2 bis 3 Monate) gemäß der folgenden Anleitung.

1. **Schalten Sie das Gerät aus.**
2. **Drücken Sie den Abdeckung-Öffnen-Knopf oben, um die Papierabdeckung zu öffnen.**
3. **Lassen Sie den Druckkopf einige Minuten abkühlen.**
4. **Befeuchten Sie ein Wattestäbchen mit Ethylalkohol und wischen Sie alle Schmutz- und Staubablagerungen vom Druckkopf und von der Förderwalze ab.**

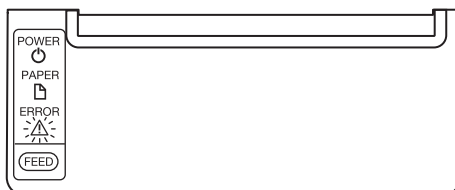


VORSICHT

- Unmittelbar nach dem Drucken ist der Druckkopf noch sehr heiß. Nicht berühren.
- Vermeiden Sie es, den Druckkopf mit bloßen Händen oder Metallgegenständen zu berühren.

4.2 Beheben einer Cuttersperre (1)

Die ERROR LED blinkt und das automatische Papierschneidemesser bleibt ausgefahren, da es durch einen Fremdkörper oder Papierstau blockiert wird.



Wenn die ERROR LED blinkt, müssen Sie die Blockierung des Papierschneiders wie folgt beheben.

1. **Schalten Sie das Gerät ein.**
2. **Drücken Sie den Abdeckung-Öffnen-Knopf nach oben, um die Papierabdeckung zu öffnen.**
3. **Entfernen Sie das gestaute Papier sowie etwaige Papierfetzen. (Entnehmen Sie auch die in den Halter eingesetzte Papierrolle.)**
4. **Setzen Sie die Papierrolle wieder ein, und schließen Sie die Papierabdeckung.**

VORSICHT

- Unmittelbar nach dem Drücken ist der Druckkopf noch sehr heiß. Nicht berühren.
- Vermeiden Sie es, den Druckkopf mit bloßen Händen oder Metallgegenständen zu berühren.

Nachdem Sie die unter „Beheben einer Cuttersperre (1)“ beschriebenen Schritte durchgeführt und die Papierabdeckung geöffnet haben, führen Sie die unter „Beheben einer Cuttersperre (2)“ beschriebenen Schritte durch, falls das automatische Papierschneidemesser ausgefahren ist.



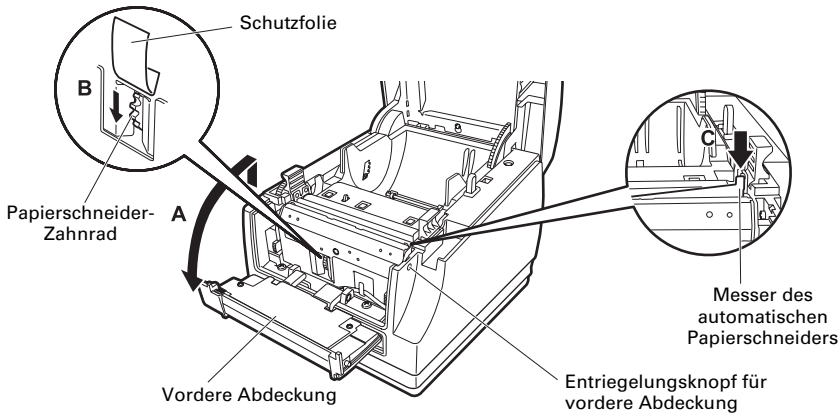
Siehe 4.3 Beheben einer Cuttersperre (2)

4.3 Beheben einer Cuttersperre (2)

Die Papierabdeckung lässt sich bei einer Blockierung des Papierschneidemeßers öffnen, indem der Abdeckung-Öffnen-Knopf nach oben gedrückt wird. Wenn das Messer des automatischen Papierschneiders dennoch ausgefahren bleibt, gehen Sie wie folgt vor, um die Blockierung des Papierschneiders zu beheben.

1. **Schalten Sie den Drucker aus und trennen Sie das Netzkabel von der Steckdose.**

2. Drücken Sie den Abdeckung-Öffnen-Knopf nach oben, um die Papierabdeckung zu öffnen.
3. Betätigen Sie mit einem Stift o. ä. den Entriegelungsknopf für die vordere Abdeckung und schieben Sie gleichzeitig die vordere Abdeckung ca. 10 mm weit nach oben.
4. Drehen Sie die vordere Abdeckung in Richtung des Pfeils A nach vorne.
5. Heben Sie die Schutzfolie an und drehen Sie das Papierschneider-Zahnrad in Richtung des Pfeils B, um den automatischen Papierschneider in eine Stellung zu bringen, die das Öffnen der Papierabdeckung ermöglicht.
Drehen Sie das Papierschneider-Zahnrad, bis sich das Messer des automatischen Papierschneiders in Richtung des Pfeils C zurückzieht. Falls sich das Messer des automatischen Papierschneiders nicht bewegt, wenn Sie das Papierschneider-Zahnrad in Richtung des Pfeils B drehen, versuchen Sie, das Zahnrad in die andere Richtung zu drehen.
6. Entfernen Sie die Ursache der Blockierung des Papierschneiders.
7. Schließen Sie die vordere Abdeckung.
Drehen Sie die vordere Abdeckung entgegen der Richtung des Pfeils A und drücken Sie auf die Oberseite der vorderen Abdeckung, bis sich hörbar einrastet.
8. Setzen Sie eine Papierrolle ein, und schließen Sie die Papierabdeckung.
9. Schließen Sie das Netzkabel an eine Steckdose an, und schalten Sie das Gerät ein.
Vergewissern Sie sich, dass die POWER LED leuchtet.

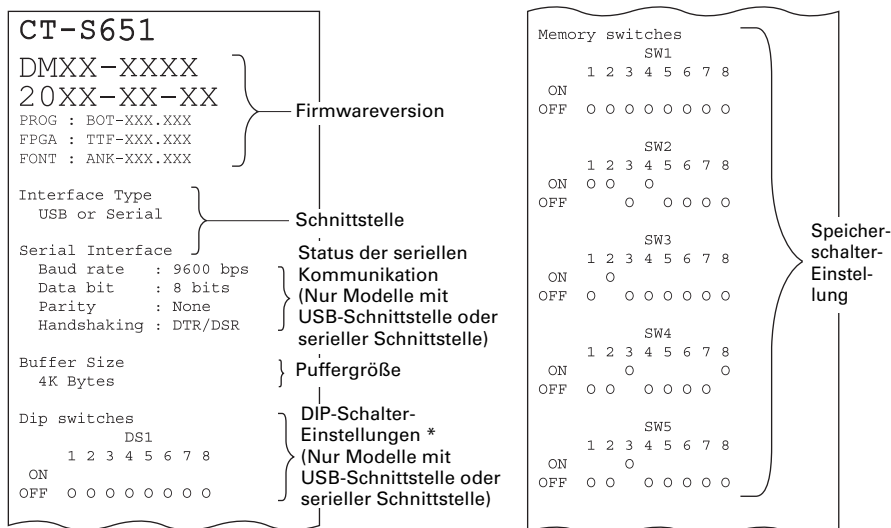


VORSICHT

- Vergewissern Sie sich vor der Durchführung von Wartungsarbeiten, dass der Drucker ausgeschaltet und das Netzkabel von der Steckdose getrennt ist.
- Achten Sie darauf, den manuellen Papierschneider bei geöffneter vorderer Abdeckung nicht zu berühren.
- Achten Sie darauf, die Öffnung für den automatischen Papierschneider bei geöffneter Papierabdeckung nicht zu berühren.
- Unmittelbar nach dem Drucken ist der Druckkopf noch sehr heiß. Nicht berühren.
- Vermeiden Sie es, den Druckkopf mit bloßen Händen oder Metallgegenständen zu berühren.
- Falls sich der automatische Papierschneider mit dem obigen Verfahren nicht zurückziehen lässt, wenden Sie sich an Ihren Citizen Systems-Fachhändler.

4.4 Statusausdruck

Vergewissern Sie sich, dass Papier eingelegt ist. Drücken und halten Sie die FEED-Taste und schalten Sie gleichzeitig das Gerät ein. Halten Sie die FEED-Taste etwa eine Sekunde lang gedrückt und lassen Sie sie dann los, um den Statusausdruck zu starten. Der Drucker druckt seine Modellbezeichnung und Version, die DIP-Schalter-Einstellungen, die Speicherschalter-Einstellungen sowie eine Liste der eingebauten Schriftarten.



Hinweis:

*: Drucker mit USB-Schnittstelle haben keine DIP-Schalter; daher werden im Statusausdruck alle DIP-Schalter als „Off“ dargestellt.

4.5 Hexdump-Ausdruck

Die empfangenen Daten werden hexadezimal ausgedruckt. Wenn Probleme wie fehlende oder duplizierte Daten auftreten, können Sie mit dieser Funktion überprüfen, ob der Drucker die Daten korrekt empfängt.

Erstellen eines Hexdump-Ausdrucks

1. **Legen Sie Papier ein.**
2. **Öffnen Sie die Papierabdeckung. Drücken und halten Sie die FEED-Taste, schalten Sie gleichzeitig das Gerät ein, und schließen Sie dann die Papierabdeckung.**
3. **Der Drucker druckt die Zeichenfolge „HEX dump print mode“, die empfangenen Daten in Form von Hexadezimalzeichen sowie einige weitere Zeichen aus.**

Abbrechen eines Hexdump-Ausdrucks

Der Druckvorgang kann auf eine der folgenden Arten abgebrochen werden.

- Drücken Sie die FEED-Taste dreimal hintereinander.
- Schalten Sie das Gerät aus.
- Über eine der Schnittstellen trifft ein Reset-Befehl ein.



VORSICHT

- Wenn für einzelne Daten keine Zeichen verfügbar sind, wird für diese als Platzhalter „.“ gedruckt.
- Während der Erstellung eines Hexdump-Ausdrucks stehen keine Befehlsfunktionen zur Verfügung.
- Wenn die empfangenen Daten keine ganze Zeile ausfüllen, drücken Sie die FEED-Taste, um einen Papiervorschub auszulösen.

Beispielausdruck

HEX dump print mode

```
61 62 63 64 65 66 67 0A 0D 0D 0D 0D abcdefg.....  
0D 0D 0D .....
```

4.6 Fehlermeldungen

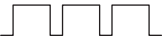






- **Papierende**
Die Papierende-Erkennung arbeitet in zwei Stufen: wenig Papier und Papierende.
Wenn ein zur Neige gehender Papiervorrat erkannt wird, leuchtet die PAPER LED auf. Bereiten Sie eine neue Papierrolle vor.
Wenn das Ende des Papiervorrats erkannt wird, leuchten die PAPER LED und die ERROR LED auf. Setzen Sie eine neue Papierrolle ein.
- **Papierabdeckung offen**
Die Papierabdeckung darf während des Druckens nicht geöffnet werden.
Wenn die Papierabdeckung geöffnet wird, leuchtet oder blinkt die ERROR LED. Überprüfen Sie das Papier und ziehen Sie stets eine Zentimeter Papier geradlinig aus dem Drucker heraus, bevor Sie die Papierabdeckung wieder schließen. Der Druckvorgang wird fortgesetzt. Bei entsprechender Speicherschalter-Einstellung kann es erforderlich sein, einen Befehl zum Fortsetzen des Druckvorgangs zu senden.
- **Papierschneider blockiert**
Wenn sich der automatische Papierschneider aufgrund eines Papierstaus oder aus anderen Gründen nicht bewegen kann, blinkt die ERROR LED. Beseitigen Sie die Fehlerursache, und betätigen Sie anschließend die FEED-Taste. Beseitigen Sie die Fehlerursache, und betätigen Sie anschließend Taste 1 (FEED). Wenn der automatische Papierschneider anschließend noch immer nicht arbeitet und sich die Papierabdeckung nicht öffnen lässt, lesen Sie „4.3 Beheben einer Cuttersperre (2)“.



Siehe 4.3 Beheben einer Cuttersperre (2)

- **Druckkopf-Fehler**
Wenn Sie Text mit engem Zeichenabstand oder Grafiken mit hohem Schwarzanteil drucken oder der Druckvorgang in einer warmen Umgebung lange Zeit andauert, erhöht sich die Druckkopf Temperatur. Wenn dabei ein bestimmter Temperaturwert überschritten wird, unterbricht der Drucker den Druckvorgang und wartet, bis der Druckkopf abgekühlt ist. Wenn dieser Fall eintritt, blinkt die ERROR LED. Der Druckvorgang wird automatisch fortgesetzt, sobald der Druckkopf abgekühlt ist.

Die Statusanzeige für die verschiedenen Meldungen ist unten dargestellt.

Status	POWER LED (grün)	PAPER LED (orange)	ERROR LED (rot)	Signalton *3
Wenig Papier	Leuchtet	Leuchtet	—	—
Papierende	Leuchtet	Leuchtet	Leuchtet	Ja
Papierabdeckung oder vordere Abdeckung offen *1	Leuchtet	—	Leuchtet	Ja
Papierabdeckung oder vordere Abdeckung offen *2	Leuchtet	—		Ja
Papierschneider blockiert	Leuchtet	—		Ja
Speicherfehler	—	—		Ja
Druckkopf-Fehler	Leuchtet	—		Ja
Unterspannungsfehler	Leuchtet	—		Ja
Überspannungsfehler	Leuchtet	—		Ja
Makro-Abarbeitung wird abgewartet	Leuchtet	—		—

Hinweise:

*1: Wenn im Standby-Modus die Papierabdeckung oder die vordere Abdeckung geöffnet wird.

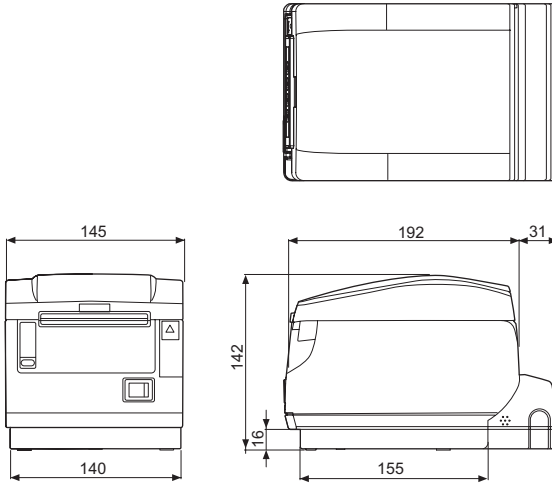
*2: Wenn die Papierabdeckung oder die vordere Abdeckung geöffnet wird, während gedruckt oder Papier zugeführt wird.

*3: Signalton ertönt, wenn MSW5-1 (Signalton-Einstellung) auf ON gesetzt ist.

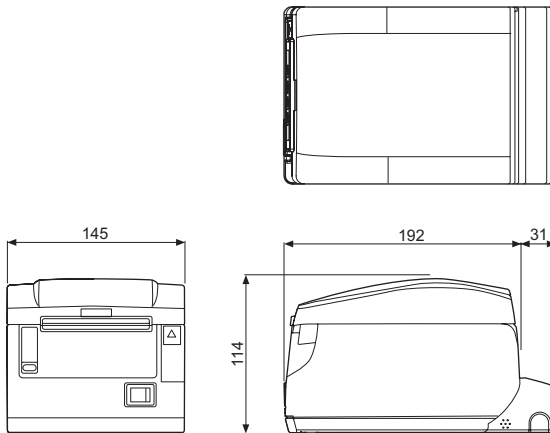
5. SONSTIGES

5.1 Äußere Ansicht und Abmessungen

(Einheit: mm)



Ausführung mit integriertem Netzgerät



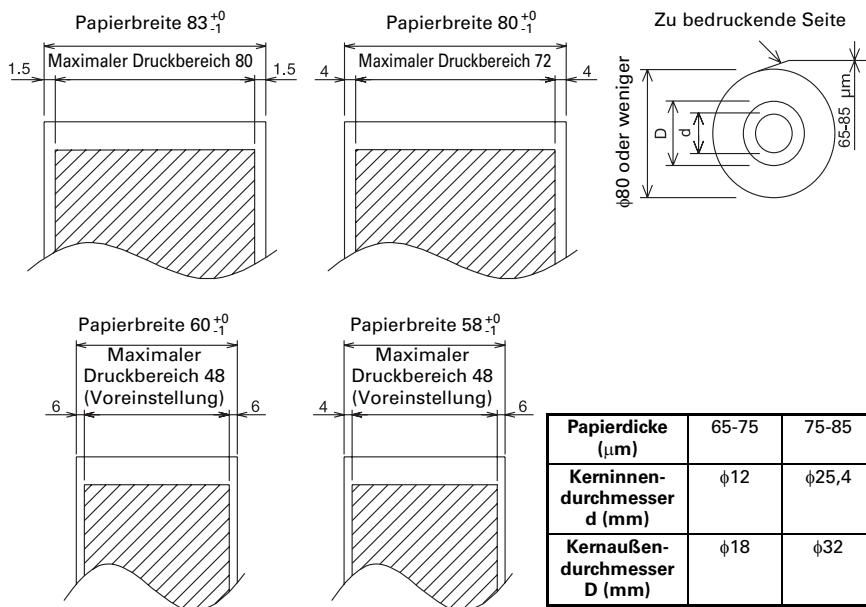
Ausführung mit Netzteil

5.2 Druckpapier

Verwenden Sie die in der nachstehenden Tabelle genannten Papiertypen oder Papier gleichwertiger Qualität.

Papiertyp	Produktbezeichnung
Empfohlenes Thermo-Rollenpapier	TF50KS-E2D, TF50KS-E oder TF60KS-E von Nippon Paper PD150R oder PD160R von Ohji Paper PA220AG, HP220A, HP220AB-1, F230AA, P220AB oder PB670 (2-Farb-Papier) von Mitsubishi Paper

(Einheit: mm)



VORSICHT

Das verwendete Thermopapier muss wie folgt aufgerollt sein:

- Ohne Knicke und Falten, eng auf den Kern gewickelt.
- Nicht gefaltet.
- Nicht auf den Kern aufgeklebt.
- Mit der bedruckbaren Seite nach außen gewickelt.

5.3 Manuelle Einstellung von Speicherschaltern

Mit den Speicherschaltern können verschiedene Einstellungen für den Drucker festgelegt werden. Die Speicherschalter können manuell (von Hand am Drucker) oder durch Befehle eingestellt werden. In diesem Abschnitt wird die Durchführung der manuellen Einstellungen erläutert.

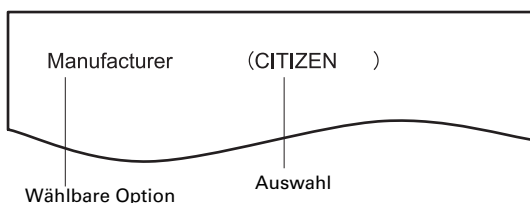
Informationen zum Einstellen der Speicherschalter über Befehle entnehmen Sie bitte der Befehlsreferenz.

Schnelleinstellungsmodus

Die Speicherschalter für Hersteller, Modell, Papierbreite und Zeichenabstand eines Ersatzdruckers können gleichzeitig auf die optimalen Einstellungen gesetzt werden.

Kontrollieren Sie, während Sie die Einstellungen vornehmen, die jeweils gewählten Optionen im Ausdruck.

1. **Legen Sie Papier ein.**
2. **Drücken und halten Sie bei geöffneter Papierabdeckung die FEED-Taste und schalten Sie gleichzeitig das Gerät ein.**
3. **Drücken Sie dreimal die FEED-Taste, und schließen Sie die Papierabdeckung.**
Der Drucker wechselt in den Speicherschalter-Schnelleinstellungsmodus. Die wählbare Option „Manufacturer“ und die entsprechende Auswahl werden gedruckt.



4. **Drücken Sie die FEED-Taste.**
Bei jedem Druck auf die FEED-Taste wird in zyklischer Reihenfolge eine Auswahl gedruckt.
Drücken Sie die FEED-Taste, bis die gewünschte Auswahl gedruckt wird.
5. **Drücken Sie die FEED-Taste mindestens zwei Sekunden lang.**
Die Auswahl wird festgelegt.
Falls eine andere wählbare Option vorhanden ist, wird sie zusammen mit der Auswahl gedruckt.
6. **Wiederholen Sie die Schritte 4 und 5, um Druckermodell, Papierbreite und Zeichenabstand auszuwählen und festzulegen (nur bei EPSON T88).**
Wenn alle Optionen festgelegt sind, wird „Save To Memory“ gedruckt.
7. **Drücken Sie die FEED-Taste mindestens zwei Sekunden lang.**
Die geänderten Speicherschalter-Einstellungen werden gespeichert, und eine Liste dieser Einstellungen wird gedruckt.
Der Drucker verlässt den Schnelleinstellungs-Modus, wenn der Druck abgeschlossen ist.

Gewählte Option

Manufacturer	Model	Paper width	Character space
CITIZEN	CBM1000	58 mm	—
		80 mm	—
	CT-S300	58 mm	—
		80 mm	—
	CT-S2000	58 mm	—
		60 mm	—
		80 mm	—
83 mm		—	
EPSON	T88	58 mm	0dot
			1dot
		80 mm	0dot
			1dot
	203dpi	58 mm	—
		60 mm	—
		80 mm	—

Automatische Einstellung der Speicherschalter

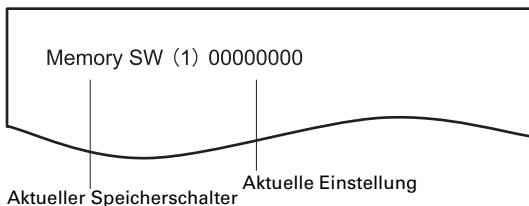
MSW2-4 Full Col Print	MSW3-7 CBM1000 Mode	MSW8-1 Print Width	MSW6-2 Character Space
LineFeed	Valid	432dots	—
LineFeed	Valid	576dots	—
WaitData	Invalid	384dots	—
WaitData	Invalid	576dots	—
LineFeed	Valid	432dots	—
LineFeed	Valid	436dots	—
LineFeed	Valid	576dots	—
LineFeed	Valid	640dots	—
WaitData	Invalid	360dots	0dot
WaitData	Invalid	390dots	1dot
WaitData	Invalid	512dots	0dot
WaitData	Invalid	546dots	1dot
WaitData	Invalid	420dots	—
WaitData	Invalid	436dots	—
WaitData	Invalid	576dots	—

Einzeleinstellungsmodus

Stellen Sie die Speicherschalter einzeln ein.

Kontrollieren Sie, während Sie die Einstellungen vornehmen, die Funktion des jeweils gewählten Speicherschalters und die Einstellungen im Ausdruck.

- Legen Sie Papier ein.**
- Drücken und halten Sie bei geöffneter Papierabdeckung die FEED-Taste, und schalten Sie gleichzeitig das Gerät ein.**
- Drücken Sie zweimal die FEED-Taste, und schließen Sie die Papierabdeckung.**
Der Drucker wechselt in den Modus zur individuellen Einstellung der einzelnen Speicherschalter.
Der Drucker druckt „Memory SW (1)“ und die aktuelle Einstellung, 0 (aus) bzw. 1 (ein).
(Die aktuellen Einstellungen für die Speicherschalter 7 bis 10 werden nicht gedruckt.)

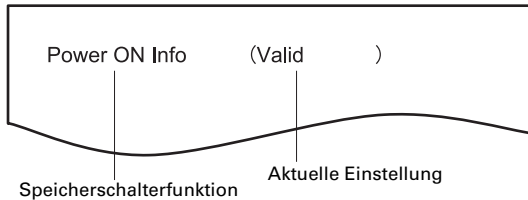


- Drücken Sie die FEED-Taste.**
Bei jedem Druck auf die FEED-Taste wird die Liste der Speicherschalter in der folgenden Reihenfolge durchgeblättert: „Memory SW (1)“ → „Memory SW (2)“ → ... → „Memory SW (10)“ → „Save To Memory“ → „Memory SW (1)“ → .
Drücken Sie die FEED-Taste so oft, bis die Nummer für den Speicherschalter angezeigt wird, dessen Einstellung Sie ändern möchten.

5. Drücken Sie die FEED-Taste mindestens zwei Sekunden lang.

Jedes Mal, wenn Sie die FEED-Taste drücken und mindestens zwei Sekunden lang halten, wird in zyklischer Reihenfolge die Einstellung des betreffenden Speicherschalters gedruckt.

Drücken und halten Sie die FEED-Taste mindestens zwei Sekunden lang und blättern Sie auf diese Weise durch die Liste, bis die Funktion des Speicherschalters gedruckt wird, dessen Einstellung Sie ändern möchten.



6. Drücken Sie die FEED-Taste.

Bei jedem Druck auf die FEED-Taste wird in zyklischer Reihenfolge eine Einstellung gedruckt.

Wenn die aktuellen Einstellungen gedruckt werden, leuchtet die ERROR LED.

Drücken Sie die FEED-Taste, bis die gewünschte Einstellung gedruckt wird.

7. Drücken Sie die FEED-Taste mindestens zwei Sekunden lang.

Die gewählten Einstellungen werden festgelegt.

Die Funktion und die Einstellungen für den nächsten Speicherschalter werden gedruckt.

8. Wiederholen Sie die Schritte 5 bis 7, um andere Funktionen für die aktuelle Speicherschalternummer zu ändern.

9. Öffnen Sie die Papierabdeckung und schließen Sie sie wieder.

Die geänderten Speicherschalter-Einstellungen werden gedruckt.

10. Wiederholen Sie die Schritte 4 bis 9, um die Funktionen für eine andere Speicherschalternummer zu ändern.

11. Drücken Sie die FEED-Taste, bis „Save To Memory“ gedruckt wird.

12. Drücken Sie die FEED-Taste mindestens zwei Sekunden lang.

Die geänderten Speicherschalter-Einstellungen werden gespeichert, und eine Liste dieser Einstellungen wird gedruckt.

Der Drucker verlässt den Einzeleinstellungs-Modus, wenn der Druck abgeschlossen ist.

Speicherschalter-Initialisierung

Setzen Sie alle Speicherschalter auf die werksseitigen Voreinstellungen zurück.

1. Führen Sie die Schritte 1 bis 3 des Verfahrens zum Starten des Einzeleinstellungsmodus durch.

2. Drücken Sie die FEED-Taste, bis „Save To Memory“ gedruckt wird.

3. Öffnen Sie die Papierabdeckung.

4. Drücken Sie die FEED-Taste mindestens zwei Sekunden lang.

Alle Speicherschalter werden auf die werksseitigen Voreinstellungen zurückgesetzt.

5. Schließen Sie die Papierabdeckung.

Nachstehend finden Sie eine Darstellung der einzelnen Speicherschalter. (Die werkseitigen Einstellungen sind schattiert dargestellt.)

Schalter Nr.	Funktion	OFF	ON
MSW1-1	Power ON Info	Valid	Not Send
MSW1-2	Buffer Size	4K bytes	45 bytes
MSW1-3	Busy Condition	Full/Err	Full
MSW1-4	Receive Error	Print"?"	No Print
MSW1-5	CR Mode	Ignored	LF
MSW1-6	Reserved	Fixed	—
MSW1-7	DSR Signal	Invalid	Valid
MSW1-8	Init Signal	Invalid	Valid
MSW2-1	Reserved	—	Fixed
MSW2-2	Auto Cutter	Invalid	Valid
*1 MSW2-3	Spool Print	Invalid	Valid
MSW2-4	Full Col Print	LineFeed	WaitData
MSW2-5	Resume aft PE	Next	Top
MSW2-6	Reserved	Fixed	—
MSW2-7	Reserved	Fixed	—
MSW2-8	PNE Sensor	Valid	Invalid
MSW3-1	Resume Ctrr Err	Valid	Invalid
MSW3-2	PE signal by PNE	Valid	Invalid
MSW3-3	Parallel 31 Pin	Valid	Invalid
MSW3-4	Reserved	Fixed	—
MSW3-5	Reserved	Fixed	—
MSW3-6	Reserved	Fixed	—
MSW3-7	CBM1000 Mode	Invalid	Valid
MSW3-8	Resume Open Err	Close	Command
MSW4-1	Reserved	Fixed	—
MSW4-2	Reserved	Fixed	—
MSW4-3	Feed&Cut at TOF	Invalid	Valid
MSW4-4	Reserved	Fixed	—
MSW4-5	Reserved	Fixed	—
MSW4-6	Reserved	Fixed	—
MSW4-7	Reserved	Fixed	—
MSW4-8	Partial Only	Invalid	Valid
MSW5-1	Buzzer	Valid	Invalid
MSW5-2	Line Pitch	1/360	1/406
MSW5-3	USB Mode	Virtual COM	Printer Class
MSW5-4	Reserved	Fixed	—
MSW5-5	Reserved	Fixed	—
MSW5-6	Reserved	Fixed	—
MSW5-7	Reserved	Fixed	—
MSW5-8	Reserved	Fixed	—

Schalter Nr.	Funktion	OFF	ON
MSW6-1	Act. For Driver	Invalid	Valid
MSW6-2	Character Space	Invalid	Valid
MSW6-3	Reserved	Fixed	—
MSW6-4	Reserved	Fixed	—
MSW6-5	Reserved	Fixed	—
MSW6-6	Reserved	Fixed	—
MSW6-7	Reserved	Fixed	—
MSW6-8	Reserved	Fixed	—

Schalter Nr.	Funktion	Voreinstellung	Einstellwert
*2 MSW7-1	Baud Rate	9600 bps	1200 bps, 2400 bps, 4800 bps, 9600 bps, 19200 bps, 38400 bps, 57600 bps, 115200 bps
*2 MSW7-2	Data Length	8bits	7bits, 8bits
*2 MSW7-3	Stop Bit	1bit	1bit, 2bits
*2 MSW7-4	Parity	NONE	NONE, EVEN, ODD
*2 MSW7-5	Flow Control	DTR/DSR	DTR/DSR, XON/XOFF
*2 MSW7-6	DMA Control	Valid	Valid, Invalid
*2 MSW7-7	VCom Protocol	PC Setting	PC Setting, DTR/DSR, XON/XOFF
MSW8-1	Print Width	576dots (3-Zoll-Ausführung) 384dots (2-Zoll-Ausführung)	640dots, 576dots, 512dots, 436dots, 432dots, 420dots, 384dots, 360dots, 390dots, 546dots, 390dots, 546dots
MSW8-2	Paper Type	1 Color Normal	1 Color Normal, 2 Color Normal
*3 MSW8-3	Top Margin	11mm	3mm, 4mm, 5mm, 6mm, 7mm, 8mm, 9mm, 10mm, 11mm
*3 MSW8-4	Line Gap Reduce	Invalid	Invalid, 3/4, 2/3, 1/2, 1/3, 1/4, 1/5, ALL
*4 MSW8-7	Liner Free Mode	Invalid	Invalid, 1h, 6h, 12h, 18h, 24h, 5m, 10m, 15m, 20m, 30m
MSW9-1	Code Page	PC 437	PC 437, Katakana, PC 850,858, PC 860, PC 863, PC 865, PC 852, PC 866, PC 857, WPC1252, Space page, PC 864, Thai Code 18
MSW9-2	Int'Char Set	USA	USA, France, Germany, England, Denmark, Sweden, Italy, Spain, Japan, Norway, Denmark 2, Spain 2, Latin America, Korea, Croatia, China
MSW9-3	Kanji	OFF	ON, OFF
MSW9-4	JIS/Shift JIS	JIS	JIS, Shift JIS
MSW10-1	Print Density	100 %	70 %, 75 %, 80 %, 85 %, 90 %, 95 %, 100 %, 105 %, 110 %, 115 %, 120 %, 125 %, 130 %, 135 %, 140 %
MSW10-2	Print Speed	Level 9	Level 1, Level 2, Level 3, Level 4, Level 5, Level 6, Level 7, Level 8, Level 9
MSW10-3	ACK Timing	Before Busy	Before Busy, Same Period, After Busy
*4 MSW10-4	Emulation Type	ESC/POS	ESC/POS, CBM1, CBM2
MSW10-5	Reserved		
MSW10-6	Buzzer Sound	Tone 2	Tone 1, Tone 2, Tone 3, Tone 4

Hinweise:

- *1: Wenn die Druckdaten eine sehr hohe Dichte aufweisen, der Druckkopf heiß ist, die Datenübertragung langsam ist oder bestimmte andere Umstände vorliegen, können der Antriebsmotor und der Druckvorgang vorübergehend aussetzen, so dass im Ausdruck weiße Streifen entstehen. Zum Drucken von Daten mit hoher Dichte sollten Sie daher MSW2-3 (Spool Print) auf ON setzen, um die Streifenbildung zu vermindern; allerdings erhöht sich dadurch die Vorlaufzeit vor dem Beginn des Druckvorgangs.
Bei einer seriellen Schnittstelle sollten Sie die Übertragungsgeschwindigkeit erhöhen, um einem Aussetzen des Motors vorzubeugen.
- *2: Die Einstellwerte für die Speicherschalter MSW7-X sind nur dann wirksam, wenn DIP-Schalter Nr. 1 auf OFF gestellt ist.
- *3: Für Firmwareversion Dxxx-2500 und höher aktiviert.
- *4: Für Firmwareversion Dxxx-2300 und höher aktiviert.

ITALIANO

PRECAUZIONI GENERALI

- Prima di utilizzare questo prodotto si prega di leggere completamente il presente manuale. Dopo aver letto il presente manuale, conservarlo in un luogo sicuro e di facile accesso per l'utilizzo futuro.
- Le informazioni contenute in questo documento sono soggette a modifiche senza preavviso.
- Nessuna parte di questo documento può essere riprodotta o trasferita senza il consenso scritto della Citizen Systems.
- Si prega di tener presente che Citizen Systems non è responsabile per eventuali problemi causati da omissioni, errori di scrittura o di stampa presenti in questo manuale.
- Citizen Systems non è responsabile per nessun problema causato dall'utilizzo di accessori o prodotti di consumo non indicati in questo manuale.
- Salvo diversamente specificato nel presente manuale, non svolgere senza autorizzazione operazioni di manutenzione, smontaggio o riparazione del prodotto.
- Citizen Systems non è responsabile per qualsiasi tipo di danno riconducibile al funzionamento/trattamento non corretto dell'apparecchiatura o all'utilizzo in ambienti non adeguati, specificati in questo manuale.
- I dati della stampante sono principalmente destinati ad un utilizzo temporaneo e non vengono memorizzati per un lungo periodo o in modo permanente.
Citizen Systems non è responsabile per eventuali danni o perdite di profitto derivanti dalla perdita di dati causata da incidenti, riparazioni, test o altro.
- Se si rilevano omissioni, errori o in caso di dubbi, contattare il proprio rivenditore Citizen Systems.
- Se si riscontrano pagine mancanti o inesattezze, contattare il proprio rivenditore Citizen Systems per la sostituzione.

CITIZEN is a registered trade mark of Citizen Watch Co., Ltd, Japan

CITIZEN es una marca registrada de Citizen Watch Co., Ltd, Japón

Company names and product names in this manual are trademarks or registered trademarks of relevant companies.

Copyright© 2018 by CITIZEN SYSTEMS JAPAN CO., LTD.

PRECAUZIONI DI SICUREZZA ..DA OSSERVARE RIGOROSAMENTE

Prima di utilizzare il prodotto per la prima volta, leggere attentamente le PRECAUZIONI DI SICUREZZA, l'uso improprio può causare incidenti (incendio, scariche elettriche e lesioni). Per evitare il rischio di lesioni ad operatori e a terzi o danni ad oggetti, nel presente manuale vengono usati speciali simboli di avvertenza per indicare i punti importanti che richiedono una stretta osservanza.

- Dopo aver letto il presente manuale, conservarlo in un luogo sicuro e di facile accesso per l'utilizzo futuro.
- Alcune delle descrizioni contenute in questo manuale potrebbero non essere rilevanti per alcuni modelli di stampante.

Quanto segue è la descrizione del livello di rischio e di danno che potrebbe verificarsi se la stampante non viene usata correttamente, ignorando le istruzioni fornite dai simboli di avvertenza.



AVVERTENZA

La mancata osservanza delle precauzioni indicate da questo simbolo potrebbe causare lesioni mortali o gravi.



ATTENZIONE

La mancata osservanza delle precauzioni indicate da questo simbolo potrebbe provocare lesioni personali o danni materiali.



Questo simbolo viene usato per richiamare l'attenzione su punti importanti.



Questo simbolo viene usato per richiamare l'attenzione sul pericolo di scosse elettriche o di danno elettrostatico.



Questo simbolo indica la necessità di scollegare la stampante dalla presa a muro.



Questo simbolo viene usato per indicare che l'alimentazione deve essere collegata a massa.



Questo simbolo è utilizzato per indicare le informazioni utili, quali procedure, istruzioni o altri dati simili.



Questo simbolo viene usato per indicare operazioni vietate.

PRECAUZIONI ALL'INSTALLAZIONE DELLA STAMPANTE

AVVERTENZA

- Non utilizzare o depositare questo prodotto in un luogo dove potrebbe essere esposto a:
 - * Fiamme o umidità.
 - * Luce solare diretta.
 - * Correnti d'aria calda o radiazioni provenienti da un dispositivo di riscaldamento.
 - * Aria salmastra o gas corrosivi.
 - * Ambiente mal ventilato.
 - * Reazioni chimiche di laboratorio.
 - * Olio, particelle di acciaio o polvere trasportati dall'aria.
 - * Elettricità statica o forti campi magnetici.
- **La mancata osservanza di queste avvertenze potrebbe causare guasti alla stampante, surriscaldamento, emissione di fumo, incendio o scariche elettriche.**



- Non lasciar cadere oggetti estranei e non versare liquidi all'interno della stampante. Inoltre, non depositare nessun oggetto sulla stampante.
- Non far cadere oggetti metallici come graffette, punti metallici o viti nella stampante.
- Evitare di collocare vasi da fiori, tazze o oggetti contenenti acqua sulla stampante.
- Attenzione a non versare caffè, bibite o qualsiasi altro tipo di liquido nella stampante.
- Non spruzzare sulla stampante insetticidi o qualsiasi altro liquido chimico.
- **Un oggetto estraneo metallico che si fa accidentalmente cadere sulla stampante può provocare il malfunzionamento della stessa, un incendio o scariche elettriche. Nel caso in cui si verificasse questa evenienza, spegnere immediatamente la stampante, staccarla dalla presa di alimentazione e chiamare il rivenditore locale Citizen Systems.**



Evitare di trattare la stampante nel modo seguente:

- Evitare che la stampante subisca urti violenti o forti sobbalzi (ad es. non salirvi sopra, farla cadere o urtarla).
- Non tentare di smontare o modificare la stampante.
- **Una non corretta procedura può causare danni alla stampante, surriscaldamento, emissione di fumo, incendio o scariche elettriche.**



- Installare, utilizzare o depositare la stampante fuori dalla portata dei bambini.
- **Gli apparecchi elettrici potrebbero provocare lesioni impreviste o incidenti se trattati o utilizzati non correttamente.**
- **Tenere il cavo di alimentazione e i cavi dei segnali fuori dalla portata dei bambini. Inoltre, ai bambini non dovrebbe essere permesso l'accesso alle parti interne della stampante.**
- **La busta di plastica con la quale è fornita la stampante deve essere tenuta lontano dalla portata dei bambini. Se indossata sul capo può provocare il soffocamento.**



ATTENZIONE

Non utilizzare la stampante nelle seguenti condizioni:

- Evitare luoghi soggetti a vibrazioni o instabilità.
- Evitare luoghi in cui la stampante non si trova perfettamente in piano.
- **La stampante può cadere e provocare lesioni.**
- **La qualità di stampa può peggiorare.**
- Non ostruire le aperture di sfogo dell'aria.
- Non depositare nessun oggetto sulla stampante.
- Non coprire o avvolgere la stampante in un panno o una coperta.
- **In tal caso si accumulerebbe calore che potrebbe deformare la cassa o provocare un incendio.**
- Non utilizzare la stampante vicino ad una radio o ad un televisore e non alimentarla dalla stessa presa utilizzata per questi apparecchi.
- Evitare di utilizzare la stampante collegata ad un cavo di interfaccia che non presenta alcuna protezione contro i disturbi. (Per le interconnessioni, utilizzare una coppia di cavi schermati o attorcigliati e nuclei in ferrite o altri dispositivi antidisturbo.)
- Evitare di usare la stampante con un dispositivo che rappresenti una forte fonte di rumore.
- **La stampante potrebbe avere un effetto negativo sulle trasmissioni radio o TV. In alcuni casi gli apparecchi elettrici potrebbero influenzare in modo negativo la stampante, causando errori nella trasmissione dei dati o comunque un malfunzionamento.**
- Se la stampante viene installata orientandola in modo diverso da quelli prescritti.
- **Si possono verificare guasti o scariche elettriche.**



- Collegare la stampante a massa.
- **Le dispersioni elettriche possono causare scosse.**
- Non collegare la massa della stampante ai seguenti punti:
 - * Tubazione del gas
 - **Potrebbe verificarsi un'esplosione di gas.**
 - * Linea telefonica
 - * Aste parafulmine
 - **In caso di fulmine, un forte picco di corrente potrebbe provocare incendi o scariche elettriche.**
 - * Tubazione dell'acqua
 - **Tubazioni idrauliche in plastica non devono essere utilizzate per la messa a terra. (Possono essere utilizzate solo quelle approvate dall'Acquedotto).**
- Prima di collegare/scollegare il cavo di massa alla/dalla stampante, staccare sempre la spina dalla presa di alimentazione.



PRECAUZIONI ALLA MANIPOLAZIONE DELLA STAMPANTE



AVVERTENZA

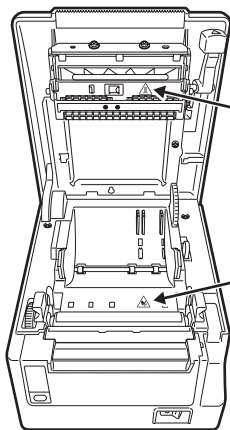
Osservare le seguenti precauzioni per l'alimentazione ed il cavo di alimentazione:

- Non collegare o scollegare il cavo di alimentazione con le mani bagnate.
- Utilizzare la stampante solo con la tensione e la frequenza di alimentazione specificate.
- Usare solo l'adattatore c.a. specificato per la stampante.
- Assicurarsi che la presa di alimentazione alla quale è collegata la stampante abbia una potenza sufficiente.
- Non alimentare la stampante da una basetta di alimentazione o da una presa di corrente condivisa con altri apparecchi.
- Non collegare il cavo di alimentazione ad una presa elettrica se ci sono polvere o detriti sulla spina.
- Non cercare di modificare il cavo di alimentazione.
- Non spostare la stampante mentre è accesa.
- **Se non si maneggia la stampante correttamente si possono causare guasti, surriscaldamento con emissione di fumo, incendio o scariche elettriche.**
- **Un sovraccarico può provocare il surriscaldamento del cavo di alimentazione e la stampante prendere fuoco causando lo scatto dell'interruttore di sicurezza.**
- Assicurarsi che non ci siano oggetti sul cavo di alimentazione. Non mettere la stampante in un luogo dove il cavo di alimentazione può essere calpestato.
- Non usare o trasportare la stampante con il cavo di alimentazione piegato, attorcigliato o tirato.
- Non cercare di modificare il cavo di alimentazione.
- Non posare il cavo di alimentazione vicino a un elemento riscaldante.
- **La mancata osservanza di queste precauzioni può causare la rottura dei fili o l'interruzione dell'isolamento, con conseguenti dispersioni di corrente, scariche elettriche o cattivo funzionamento della stampante. Se il cavo di alimentazione è danneggiato, si prega di contattare il rivenditore Citizen Systems.**
- Non dimenticare oggetti attorno alla presa di alimentazione.
- Collegare la stampante ad una presa di alimentazione sistemata in un punto facilmente accessibile in caso di emergenza.
- **In caso di emergenza, estrarre la spina per spegnerla immediatamente.**
- Inserire la spina di alimentazione a fondo nella presa.
- Se la stampante non deve essere utilizzata per un lungo periodo, staccarla dalla presa elettrica.
- Tenere la presa ed il connettore quando si effettua il collegamento o scollegamento del cavo di c.a. o del cavo di segnali dopo avere scollegato la stampante e l'apparecchio collegato ad essa.



ATTENZIONE

L'etichetta di avvertenza è posizionata come mostrato in figura. Prima di utilizzare la stampante, leggere attentamente le precauzioni per l'uso.

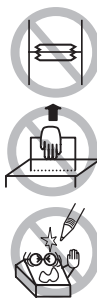


QUESTA ETICHETTA INDICA IL RISCHIO DI USTIONE PER VIA DELLE ALTE TEMPERATURE PRESENTI SULLA TESTINA DI STAMPA E IL RISCHIO DI FERIRSI CON LA TAGLIERINA MANUALE E AUTOMATICA QUANDO IL COPERCHIO DELLA CARTA È APERTO.

- Non trasportare questa stampante con il rotolo di carta dentro.
- **Si possono verificare guasti o danneggiamenti.**

Per evitare i problemi di funzionamento o eventuali guasti, osservate quanto segue:

- Non aprire il coperchio carta durante la stampa.
- Evitare di fare funzionare la stampante senza il rotolo di carta correttamente caricato.
- Evitare l'impiego di carta non conforme alle specifiche.
- **La stampa potrebbe risultare di scarsa qualità.**
- Evitare l'utilizzo di fogli di carta strappati o giuntati con nastro adesivo in plastica.
- Evitare l'estrazione forzata a mano di carta già inserita.
- Evitare l'utilizzo di uno strumento appuntito o affilato per azionare i pulsanti del pannello.



- Assicurarsi che i connettori dei cavi siano saldamente inseriti nelle relative presa.
- **Un collegamento errato potrebbe danneggiare la parte elettronica interna o l'hardware dell'host.**
- Alla stampante, deve essere collegato un solenoide di apertura cassetto compatibile con le specifiche indicate nel manuale.
- **La mancata osservanza di questa precauzione potrebbe provocare un malfunzionamento o un guasto.**



ATTENZIONE

Per evitare lesioni o danni, seguire le seguenti istruzioni:

- Quando il coperchio della carta è aperto, attenzione a non toccare la taglierina manuale che si trova nella fessura di espulsione carta.
 - Non toccare la superficie di stampa della testina termica.
 - Non toccare le parti mobili (ad es. la taglierina, gli ingranaggi, le parti elettriche attive) quando la stampante è in uso.
 - In caso di problemi non cercare di riparare la stampante. Affidarla al servizio di Citizen Systems per la riparazione.
 - Fate attenzione che i coperchi non pizzichino le mani o le dita.
 - Attenzione ai bordi taglienti della stampante. Si rischia di ferirsi o causare danni materiali.
- **Ciò potrebbe causare scariche elettriche, bruciature o lesioni.**



Se la stampante emette fumo, odori strani o rumori inconsueti durante la stampa, interrompere immediatamente la stampa in corso e scollegare la stampante dalla presa di alimentazione.

MANUTENZIONE QUOTIDIANA

Osservate le precauzioni seguenti per la manutenzione quotidiana:

- Prima di pulire la stampante, spegnerla sempre e staccarla dalla presa elettrica.
- Utilizzare uno straccio morbido e secco per pulire la superficie della cassa della stampante.
Per le macchie persistenti, utilizzare uno straccio morbido leggermente imbevuto d'acqua.
Non pulire la stampante con solventi organici come alcol, diluente per vernice, trielina, benzene o chetone. Non utilizzare mai panni di pulizia trattati chimicamente.
- Per togliere la polvere di carta, utilizzare una spazzola morbida.



ATTENZIONE

- **Immediatamente dopo l'utilizzo, la testina termica rimane ad una temperatura pericolosamente elevata. Lasciare raffreddare prima di iniziare la manutenzione.**

Documentazione, driver, programmi di utilità ed altro materiale sono disponibili sul sito seguente.

<http://www.citizen-systems.co.jp/english/support/index.html>

SOMMARIO

1. DESCRIZIONE GENERALE	9
1.1 Caratteristiche	9
1.2 Rimozione dell'imballo.....	10
1.3 Classificazione dei modelli.....	10
1.4 Specifiche di base.....	11
2. SPIEGAZIONE DEI COMPONENTI DELLA STAMPANTE	12
2.1 Aspetto esterno della stampante	12
2.2 All'interno del coperchio carta	15
2.3 Altre funzioni integrate.....	16
3. SETUP	17
3.1 Collegamento del cavo di alimentazione CA.....	17
3.2 Collegamento dei cavi di interfaccia	19
3.3 Collegamento del cassetto-cassa	21
3.4 Precauzioni per l'installazione della stampante	23
3.5 Divisorio per il rotolo di carta	24
3.6 Configurazione del DIP-switch sulla scheda dell'interfaccia seriale	25
3.7 Regolazione del sensore di quasi-fine carta.....	27
3.8 Caricamento carta.....	28
3.9 Applicazione del coperchio interruttore d'accensione	29
3.10 Applicazione del coperchio interfaccia	29
3.11 Rimozione del coperchio interfaccia	30
4. MANUTENZIONE E ASSISTENZA	31
4.1 Pulizia periodica.....	31
4.2 Rimozione del blocco del dispositivo di taglio (1)	32
4.3 Rimozione del blocco del dispositivo di taglio (2)	33
4.4 Stampa automatica (Autotest).....	34
4.5 Stampa della copia del contenuto memoria esadecimale.....	35
4.6 Messaggi di errore.....	36
5. ALTRO.....	38
5.1 Viste e dimensioni esterne.....	38
5.2 Carta per la stampa	39
5.3 Impostazione manuale dei memory switch	40

1. DESCRIZIONE GENERALE

La serie di stampanti termiche a righe di punti CT-S651 è ideata per un'ampia gamma di terminali per dati, POS e uso casalingo.

Queste stampanti sono dotate di molteplici funzioni, pertanto possono essere utilizzate in una vasta gamma di applicazioni.

1.1 Caratteristiche

- Stampa ad alta velocità (200 mm/s)
- La struttura estremamente compatta ne consente l'installazione praticamente ovunque (dimensione max. rotolo di carta 83 mm (3 pollici))
- La struttura impermeabile impedisce l'infiltrazione di acqua attraverso la parte superiore
- La carta è espulsa dalla parte anteriore per cui la stampante può essere installata in spazi ristretti
- Si può scegliere tra due modelli, uno con rotoli di carta da 83/80 mm (3 pollici) o uno con rotoli di carta da 60/58 mm (2 pollici) di larghezza
- È disponibile sia l'alimentazione integrata che quella tramite adattatore CA
- Lo stato e gli errori della stampante sono segnalati tramite LED e un cicalino
- Dotazione di dispositivo di taglio rapido e silenzioso
- Inceppamenti dispositivo di taglio di facile rimozione
- Interfaccia intercambiabile
- Interfaccia di estrazione del cassetto-cassa incorporato
- Personalizzazione possibile tramite memory switch (microinterruttore di memoria)
- Memorizzazione dei caratteri e dei loghi definiti dall'utente nella memoria utente
- Supporto di stampa per codice a barre e codice a barre 2D
- Supporto della stampa a 2 colori (con carta specifica)
- Driver di stampa e software compreso

1.2 Rimozione dell'imballo

Accertarsi che la confezione della stampante contenga i seguenti particolari.

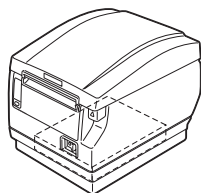
- Stampante: 1
- Coperchio interfaccia: 1
- Cavo di alimentazione CA: 1
- Coperchio interruttore d'accensione: 1
- Rotolo di carta campione: 1 rotolo
- CD-ROM: 1
- Guida d'avviamento rapido: 1
- Adattatore CA*1: 1
- Cavo USB*2: 1

Note:

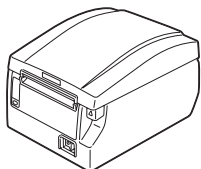
*1: solo CT-S651A

*2: solo tipologie con interfaccia USB

Solo per alcuni mercati



CT-S651S (Tipo con alimentazione integrata)
36AD3 Adattatore CA integrato



CT-S651A (Tipo con adattatore CA)



1.3 Classificazione dei modelli

I numeri dei modelli indicano le funzioni della stampante in base al seguente sistema.

CT - S651S 3 RS E - BK - P M1

Alimentazione elettrica

DC: Assenza di alimentazione

S: Tipo con alimentazione integrata

A: Tipo con adattatore CA

Larghezza carta

3: 80/83 mm (3 pollici)

2: 58/60 mm (2 pollici)

Interfaccia

PA: Parallela

RS: Seriale RS-232C

UB: Solo USB

UH: USB con hub

ET: Ethernet (tipo standard)

ES: Ethernet (tipo multifunzione)

UP: Powered USB

Sensore BM

: No

M1: Lato sinistro

M2: Lato destro

Sensore PNE

: No

P: Sensore PNE

Colore della cassa

WH: Bianco

ghiaccio

BK: Nero

Mercato*

J: Giappone

E: Europa/Asia

U: Nord America

A: Asia

C: Cina

Nota:

*: Cavo di alimentazione CA, vite per seriale I/F, firmware ed altre specifiche possono variare a seconda dei mercati.

1.4 Specifiche di base

Voce	Caratteristiche					
Modello	CT-S651					
Metodo di stampa	Metodo di stampa termica a righe di punti					
Larghezza di stampa *1	80 mm/640 punti, 72 mm/576 punti, 64 mm/512 punti, 54,5 mm/436 punti, 54 mm/432 punti, 52,5 mm/420 punti, 48 mm/384 punti, 45 mm/360 punti, 48,75 mm/390 punti, 68,25 mm/546 punti					
Densità punti	8 × 8 punti/mm (203 dpi)					
Velocità di stampa	200 mm/sec. (massima, densità di stampa 100%), 1600 linee di punti/sec.					
Numero di colonne di stampa *2	—	Numero massimo di caratteri (colonne)				Configurazione punti (punti)
	Larghezza carta	83 mm	80 mm	60 mm	58 mm	
	Font					
	Font A	53	48	36	35	
	Font B	71	64	48	46	
	Font C	80	72	54	52	
Dimensione carattere*3	Font A: 1,50 × 3,00 mm		Font C: 1,00 × 2,00 mm		Font B: 1,13 × 2,13 mm	
Tipo di caratteri	Alfanumerico, internazionale, PC437/850/852/857/858/860/863/864/865/866/WPC1252/katakana/Thai code 18					
Memoria utente	384 KB (in grado di memorizzare caratteri e loghi definiti dall'utente)					
Tipi con codice a barre	UPC-A/E, JAN (EAN) 13/8 colonne, ITF, CODE39, CODE128, CODABAR (NW-7), CODE93, PDF417, QR Code					
Spaziatura	4,23 mm (1/6 pollice) (cambiabile tramite comandi)					
Rotolo di carta	Rotolo di carta: 83 ⁺⁰ ₋₁ mm/80 ⁺⁰ ₋₁ mm/60 ⁺⁰ ₋₁ mm/58 ⁺⁰ ₋₁ mm × max. φ83 mm Spessore carta: 65-75 μm (diametro dell'anima interna del rotolo: interno 12 mm/esterno 18 mm) 75-85 μm (diametro dell'anima interna del rotolo: interno 25,4 mm/esterno 32 mm)					
Interfaccia	Seriale (conforme a RS-232C), parallela (conforme a IEEE 1284), USB, USB con hub, Ethernet, Powered USB					
Estrazione del cassetto-cassa	Supporta 2 cassette-cassa					
Dimensione buffer	4 k bytes/45 bytes					
Tensione di alimentazione	CC 24 V ±5%					
Consumo di corrente	Circa 45 W (stampa normale), 3 W (standby)					
Adattatore CA *4 (36AD2, 36AD3)	Entrata nominale: 100 a 240 V CA, 50/60 Hz, 150 VA Uscita nominale: 24 V CC, 2,1 A					
Peso	CT-S651S: circa 1,9 kg, CT-S651A: circa 1,5 kg					
Dimensioni esterne	CT-S651S: 145 (L) × 192 (P) × 142 (H) mm CT-S651A: 145 (L) × 192 (P) × 114 (H) mm					
Temperatura ed umidità operative	5 a 45°C, 10 a 90% UR (senza condensa)					
Temperatura ed umidità di immagazzinamento	-20 a 60°C, 10 a 90% UR (senza condensa)					
Affidabilità	Durata della testina di stampa: 150 km, 200 milioni di impulsi (a temperatura e umidità normale e usando la carta e lo spessore di carta consigliati) Durata del meccanismo di taglio automatico: 2 milioni di tagli (taglio completo), 1,6 milioni di tagli (taglio parziale) (a temperatura e umidità normale e usando la carta e lo spessore di carta consigliati)					
Standard di sicurezza *5	UL, C-UL, FCC Class A, TÜV-Bauart, CE Marking					

Note:

*1: Quando la larghezza della carta è di 83, 80, 60 o 58 mm.

*2: Il numero di colonne stampabili può essere scelto con un memory switch (microinterruttore di memoria).

Il numero di colonne indicate in questa tabella si riferisce a modelli tipici. Il numero di colonne varia a seconda delle caratteristiche tecniche.

*3: I caratteri appaiono piccoli perché le dimensioni comprendono lo spazio vuoto che circonda ogni carattere.

*4: Il 36AD2 è l'adattatore CA confezionato come accessorio con il modello CT-S651A.

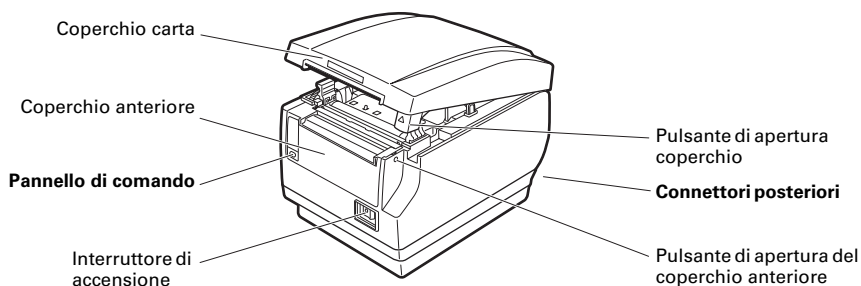
Il 36AD3 è l'adattatore CA integrato nel modello CT-S651S.

*5: Conforme se si utilizza un adattatore CA Citizen Systems (36AD2/36AD3).

2. SPIEGAZIONE DEI COMPONENTI DELLA STAMPANTE

2.1 Aspetto esterno della stampante

Denominazione dei componenti



- Coperchio carta
Aprire per caricare la carta.
- Pulsante di apertura coperchio
Per aprire il coperchio carta utilizzare questo pulsante.
- Coperchio anteriore
Aprire/chiedere questo coperchio per eliminare un blocco del dispositivo di taglio.

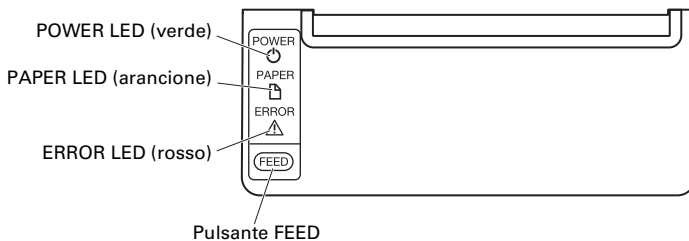


Vedere 4.3 Rimozione del blocco del dispositivo di taglio (2)

- Pulsante di apertura del coperchio anteriore
Premere questo pulsante per aprire il coperchio anteriore.

- Interruttore di accensione
Premere questo interruttore per l'accensione e lo spegnimento.

Pannello di comando



- **POWER LED (verde)**
Si illumina quando la stampante è accesa, si spegne quando la stampante non è più alimentata.
Lampeggia quando i dati sono in arrivo o si è verificato un errore di memoria.
- **PAPER LED (arancione)**
Si illumina d'arancione quando la carta sta per finire (carta quasi finita) o la carta è esaurita (carta finita).
- **ERROR LED (rosso)**
Lampeggia se la testina di stampa si scalda, se il coperchio carta è aperto, se si verifica un blocco del dispositivo di taglio e così via.
- **Pulsante FEED**
Premere questo pulsante per fare avanzare la carta.
In caso di blocco del dispositivo di taglio, eliminare la causa del problema, chiudere il coperchio carta e premere il pulsante FEED.
La stampante accede alla modalità per la configurazione dei memory switch e per eseguire la stampa automatica.



Vedere 4.4 Stampa automatica (Autotest)

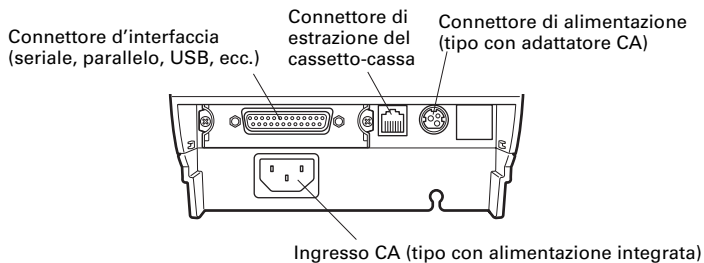


Vedere 4.6 Messaggi di errore



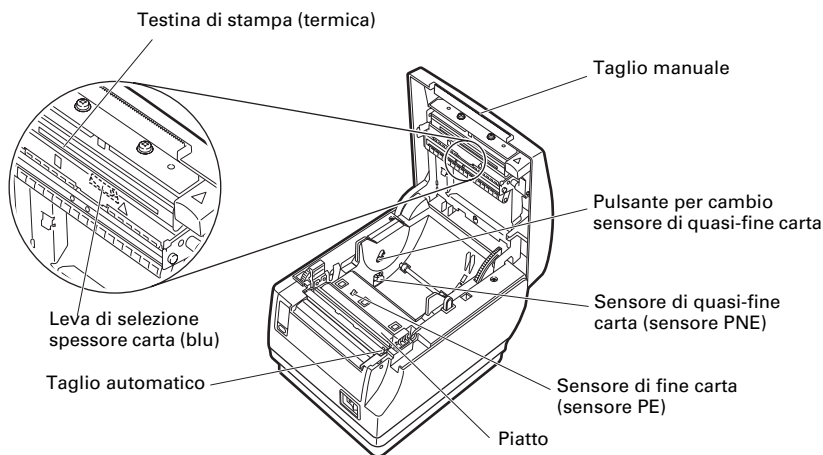
Vedere 5.3 Impostazione manuale dei memory switch

Connettori posteriori



- **Connettore d'interfaccia (seriale, parallela, USB, ecc.)**
Si collega al cavo d'interfaccia.
La scheda d'interfaccia seriale è dotata di un DIP-switch.
- **Connettore di estrazione del cassetto-cassa**
Si collega al cavo proveniente dal cassetto-cassa.
- **Connettore di alimentazione (tipo con adattatore CA)**
Si collega al cavo dall'adattatore CA.
- **Ingresso CA (tipo con alimentazione integrata)**
Si collega al cavo di alimentazione CA.

2.2 All'interno del coperchio carta



- **Piatto**
Fa avanzare la carta.
Non rimuovere il piatto se non per effettuare la manutenzione.
- **Sensore di quasi-fine carta (sensore PNE)**
Rileva quando il rotolo di carta sta per terminare. Regolare la posizione del sensore per sapere quando esso rileva l'approssimarsi della fine della carta.
- **Pulsante per cambio sensore di quasi-fine carta**
Cambiare la posizione del sensore di quasi-fine carta per confrontare la carta utilizzata.



Vedere 3.7 Regolazione del sensore di quasi-fine carta

- **Taglio manuale**
Per tagliare la carta manualmente alla fine della stampa.
- **Taglio automatico**
Taglia automaticamente la carta alla fine della stampa.



Vedere 5.3 Impostazione manuale dei memory switch

- **Testina di stampa (termica)**
Stampa i caratteri e/o i dati grafici sulla carta (rotoli di carta).

- Sensore di fine carta (sensore PE)
Rileva quando non c'è più carta. La stampa si interrompe quando questo sensore rileva la mancanza della carta.
- Leva di selezione spessore carta (blu)
Utilizzare questa leva per selezionare carta normale o carta spessa in base allo spessore della carta che si sta caricando. (Configurazione di fabbrica: 1)



ATTENZIONE

Non modificare la posizione della leva di selezione spessore carta dalla configurazione di fabbrica.

2.3 Altre funzioni integrate

- Cicalino
Suona quando si verificano errori o quando vengono effettuate operazioni o operazioni di comando.



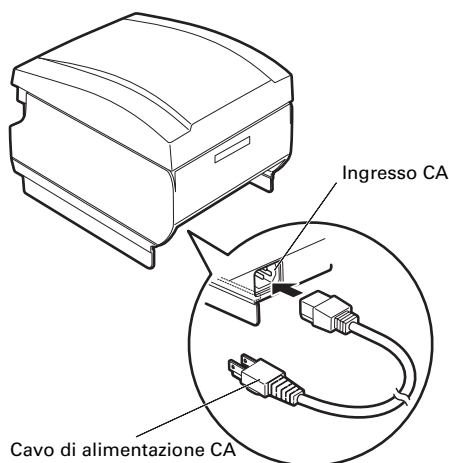
Vedere 4.6 Messaggi di errore

- Memoria utente
In questa memoria si possono salvare loghi e caratteri definiti dall'utente. I dati restano salvati in questa memoria anche se la stampante viene spenta. Per maggiori informazioni su come salvare i dati, vedere Riferimento Comandi.
- Memory switch
L'impostazione dei vari tipi di funzioni può essere salvata in memoria. Le impostazioni restano salvate in memoria anche se la stampante viene spenta.

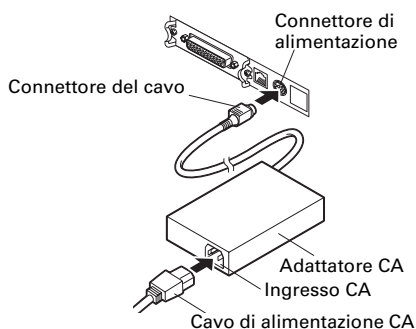
3. SETUP

3.1 Collegamento del cavo di alimentazione CA

1. Spegner la stampante.
2. ● Per la stampante con alimentazione di corrente incorporata, collegare il cavo di alimentazione CA all'ingresso CA e inserire la spina nella presa elettrica.
● Per la stampante con adattatore CA, collegare il connettore del cavo dell'adattatore CA al connettore di alimentazione. Quindi, collegare il cavo di alimentazione CA all'ingresso CA e inserire la spina nella presa elettrica.



Tipo con alimentazione integrata



Tipo con adattatore CA

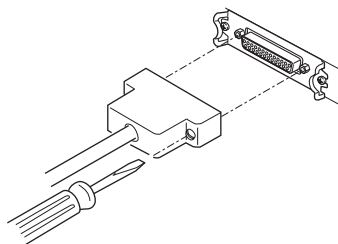


ATTENZIONE

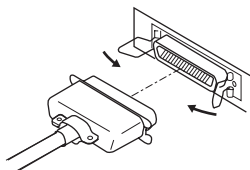
- Utilizzare solo l'adattatore CA conforme ai valori nominali prescritti.
- Durante il distacco o l'inserimento del cavo dell'adattatore CA utilizzare esclusivamente il connettore (non il filo).
- Utilizzare una fonte di alimentazione CA che non stia già alimentando apparecchiature che producono disturbi elettromagnetici.
- Non tirare il cavo di alimentazione CA per evitare di danneggiarlo con possibili rischi d'incendio, scariche elettriche o rotture di fili.
- Se si sta avvicinando un temporale, staccare il cavo di alimentazione CA dalla presa elettrica. Un colpo di fulmine può provocare un incendio o causare scosse.
- Tenere il cavo di alimentazione CA lontano da apparecchi che producono riscaldamento. Il rivestimento del cavo di alimentazione CA potrebbe fondere, provocando un incendio o scariche elettriche.
- Se la stampante non deve essere utilizzata per un lungo periodo, staccare il cavo di alimentazione CA dalla presa elettrica.
- Sistemare il cavo di alimentazione CA in modo che nessuno possa calpestarlo.

3.2 Collegamento dei cavi di interfaccia

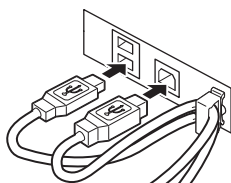
1. Spegner la stampante.
2. Orientare correttamente il cavo d'interfaccia ed inserirlo nel relativo connettore.



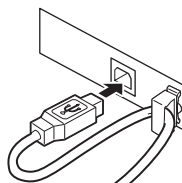
Interfaccia seriale



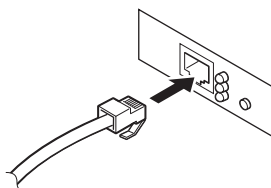
Interfaccia parallela



Interfaccia USB (tipo con hub)

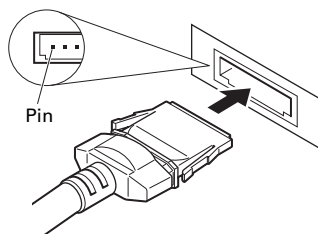


Interfaccia USB



Interfaccia Ethernet

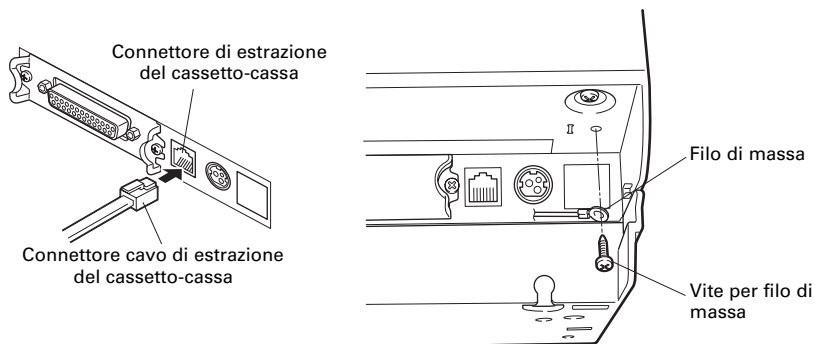
Vista anteriore



Interfaccia Powered USB

3.3 Collegamento del cassetto-cassa

1. Spegner la stampante.
2. Controllare l'orientamento del connettore del cavo di estrazione del cassetto-cassa e collegarlo alla presa corrispondente nella parte posteriore della stampante.
3. Togliere la vite del filo di massa.
4. Avvitare il filo di massa del cassetto-cassa al corpo della stampante.



ATTENZIONE

- Collegare soltanto il connettore del cavo di estrazione del cassetto-cassa alla presa corrispondente. (Non collegare assolutamente ad una linea telefonica.)
- I segnali non possono essere inviati dal connettore di estrazione del cassetto-cassa durante la stampa.
- Afferrare il connettore durante l'inserimento o il distacco del cavo di estrazione del cassetto-cassa perpendicolare e diritto. Effettuando l'operazione in modo angolato potrebbe causare il collegamento erroneo del connettore.

(1) Configurazione dei pin del connettore

N.	Segnale	Funzione
1	FG	Massa (Frame Ground)
2	DRAWER1	Segnale di comando cassetto-cassa 1
3	DRSW	Ingresso commutatore cassetto-cassa
4	VDR	Alimentazione elettrica di comando cassetto-cassa
5	DRAWER2	Segnale di comando cassetto-cassa 2
6	GND	Massa segnale (massa comune sui circuiti)



Connettore usato:
TM5RJ3-66 (Hirose) o
equivalente
Connettore applicabile:
TM3P-66P (Hirose) o
equivalente

(2) Caratteristiche elettriche

1) Tensione di comando: 24 VCC

2) Corrente di comando: Max. circa 1 A (non deve superare i 510 ms.)

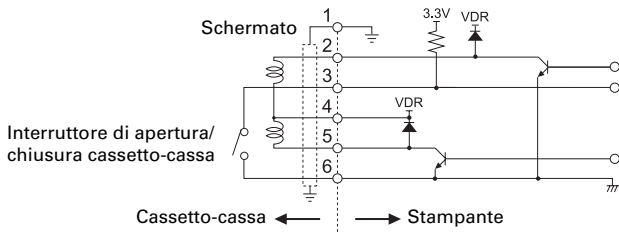
3) Segnale DRSW: Livelli segnale: "L" = 0 a 0,8 V, "H" = 2 a 3,3 V

(3) Segnale DRSW

Lo stato del segnale DRSW può essere verificato con i comandi DLE+EOT, GS+a, o GS+r o sul pin 34 della porta d'interfaccia parallela.

(4) Circuito di comando

Connettore di estrazione del cassetto-cassa

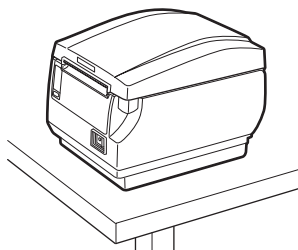


ATTENZIONE

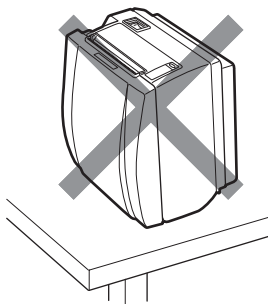
- I cassette 1 e 2 non possono essere azionati contemporaneamente.
- Il solenoide utilizzato per il cassetto-cassa deve essere a 24 Ω o superiore. La corrente non deve mai superare 1 A. La corrente in eccesso potrebbe danneggiare o bruciare i circuiti.

3.4 Precauzioni per l'installazione della stampante

La stampante può essere installata solo in orizzontale. Non può essere posizionata verticalmente o con installazione a parete.



Posizione orizzontale



Posizione verticale



ATTENZIONE

Non utilizzare la stampante nelle condizioni seguenti.

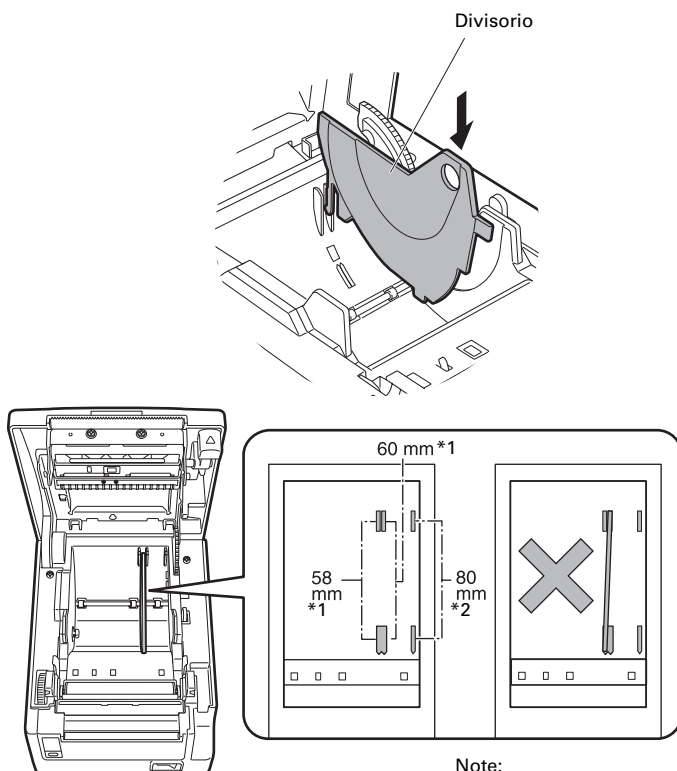
- Punti soggetti a vibrazioni o instabilità.
- Punti molto sporchi o polverosi.
- Punti in cui la stampante non si trova perfettamente in piano.
- **La stampante può cadere e provocare lesioni.**
- **La qualità di stampa può peggiorare.**
- Orientamento diverso da quello prescritto.
- **La stampante potrebbe funzionare male, essere danneggiata o provocare scosse.**

3.5 Divisorio per il rotolo di carta

Regolare la larghezza del divisorio su quella del rotolo di carta che si sta caricando. La regolazione di fabbrica del divisorio è quella indicata di seguito.

- Per tipo da 3 pollici: rotola di carta da 80 mm di larghezza
- Per tipo da 2 pollici: rotola di carta da 58 mm di larghezza, rotolo di carta da 60 mm di larghezza (divisorio per 2 fogli installato)

1. **Spegnere la stampante.**
2. **Premere sul pulsante di apertura coperchio per aprire il coperchio carta.**
3. **Premere nella posizione indicata dalla freccia e impostare il divisorio in una scanalatura che corrisponda all'ampiezza del rotolo di carta in uso. Comunque, per poter utilizzare il rotolo di carta da 83 mm di larghezza, bisogna togliere il divisorio. Oppure quando si usa il rotolo di carta da 60 mm di larghezza per il tipo da 2 pollici, rimuovere il divisorio installato per il rotolo da 58 mm di larghezza.**
4. **Vedere "5.3 Impostazione manuale dei memory switch" per cambiare le regolazioni della larghezza della carta.**



Note:

*1: Tipo da 2 pollici (58/60 mm)

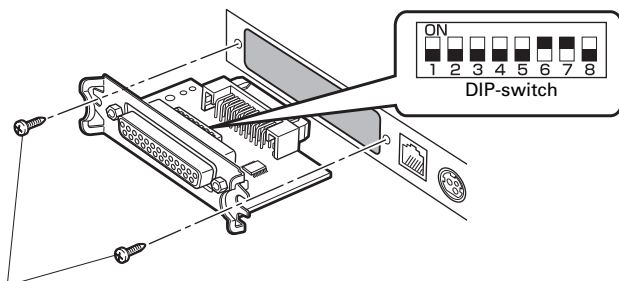
*2: Tipo da 3 pollici (80/83 mm)

ATTENZIONE

Quando si effettua la regolazione per rotoli di carta da 58 o 60 mm, assicurarsi che il divisorio non sia inclinato.

3.6 Configurazione del DIP-switch sulla scheda dell'interfaccia seriale

1. Spegner la stampante e staccare il cavo di alimentazione dalla presa elettrica.
2. Rimuovere le viti di fissaggio della scheda dell'interfaccia seriale.
3. Rimuovere la scheda d'interfaccia seriale dalla stampante.
4. Configurare il DIP-switch in base alla seguente tabella.



Viti di fissaggio della scheda d'interfaccia seriale

ATTENZIONE

Quando si configura il DIP-switch, togliere esclusivamente le viti di fissaggio della scheda d'interfaccia seriale.

La funzione di ciascuno switch è indicata di seguito. (I valori ombreggiati sono quelli delle impostazioni di fabbrica. Tuttavia, le impostazioni di fabbrica possono variare a seconda del mercato di destinazione.)

N. switch	Funzione	ON	OFF
1	Impostazione delle condizioni di comunicazione	In funzione della configurazione DIP-switch	In funzione della configurazione memory switch
2	Inizio di sessione	XON/XOFF	DTR/DSR
3	Lunghezza bit	7 bit	8 bit
4	Controllo di parità	Si	No
5	Selezione parità	Parità uguale	Parità dispari
6	Selezione baud rate	Vedi la tabella seguente.	
7			
8	INIT	Ripristino	Invalido

Selezione baud rate

Velocità di trasmissione (bps)	N. switch	
	6	7
2400	OFF	OFF
4800	ON	OFF
9600	OFF	ON
19200	ON	ON

Quando lo switch n. 1 è portato su OFF, è possibile utilizzare un comando o un memory switch per selezionare 1200, 38400, 57600 o 115200 bps.

3.7 Regolazione del sensore di quasi-fine carta

Cambiare l'impostazione del sensore di quasi-fine carta per regolare la posizione nella quale si rileva lo stato di quasi-fine carta.

1. **Utilizzare un oggetto appuntito, p.es. una penna, ed esercitare delicatamente una pressione sul pulsante per modificare l'impostazione del sensore di quasi-fine carta.**
2. **Tener premuto il pulsante mentre si sposta il sensore di quasi-fine carta in su e in giù. Le posizioni del sensore per i vari diametri di rotoli di carta utilizzati sono illustrate di seguito.**

(Unità: mm)

Posizione del sensore	Diametro esterno rilevato come quasi-fine carta	Diametro esterno/interno dell'anima del rotolo di carta
A	Circa $\phi 31$	$\phi 18/\phi 12$
B*	Circa $\phi 23$	$\phi 18/\phi 12$
C	Funzionamento sensore di quasi-fine carta disattivato (OFF)	

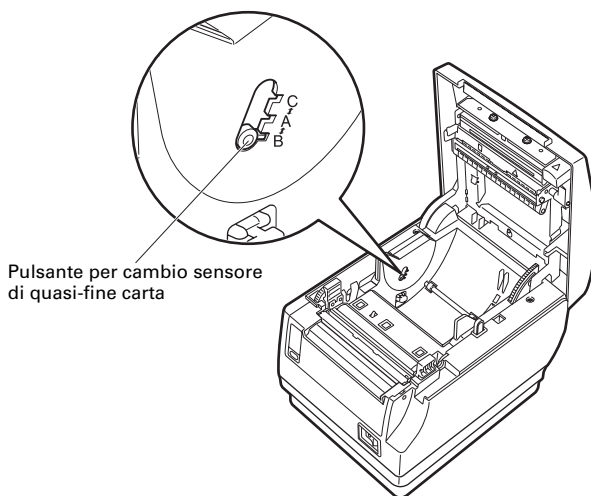
Nota:

*: Posizione del sensore all'uscita dalla fabbrica. Tuttavia, le impostazioni di fabbrica possono variare a seconda del mercato di destinazione.



ATTENZIONE

Il diametro del rotolo di carta che è rilevato corrisponde a una stima. Si possono verificare delle variazioni a seconda della carta.

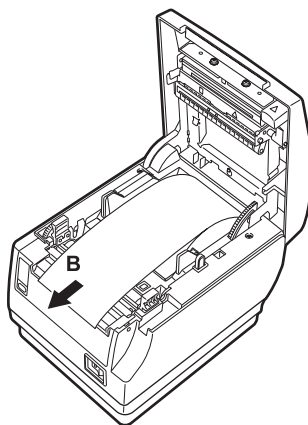
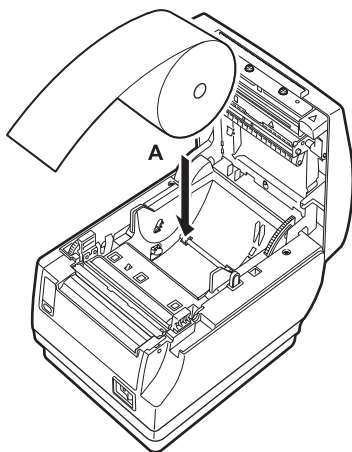
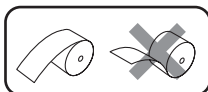


3.8 Caricamento carta

1. Accendere la stampante.
2. Premere sul pulsante di apertura coperchio per aprire il coperchio carta.
3. Caricare il rotolo di carta di modo che il lato stampabile sia rivolto verso l'alto, come indicato dalla freccia A.
4. Estrarre per il dritto la carta di qualche centimetro nel senso indicato dalla freccia B.
5. Chiudere il coperchio carta fino al click. La carta avanzerà e sarà tagliata automaticamente (in caso di impostazioni di fabbrica).



Vedere 5.3 Impostazione manuale dei memory switch



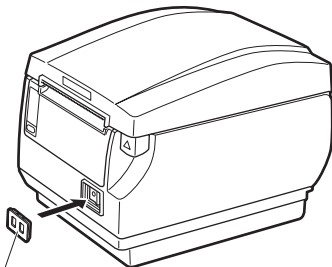
ATTENZIONE

- Utilizzare esclusivamente i tipi di rotoli di carta prescritti.
- Verificare che il rotolo di carta sia installato correttamente.
- Se la carta è messa di sbieco e non esce dritta dal coperchio carta, aprirlo e raddrizzarla.
- Estrarre sempre la carta di qualche centimetro per il dritto dalla stampante quando si apre il coperchio carta con carta caricata.
- Premere al centro del coperchio carta per chiuderlo in modo sicuro.
- Attenzione ai tagli della carta durante il caricamento.
- Durante l'apertura del coperchio carta fare attenzione alla testina di stampa, al dispositivo di taglio manuale o a quello automatica. In caso contrario, ci si può bruciare o tagliare.

3.9 Applicazione del coperchio interruttore d'accensione

Applicare questo coperchio per impedire l'uso dell'interruttore d'accensione.

1. **Premere sul coperchio interruttore d'accensione nella sua sede finché non si avverte uno scatto.**



Coperchio interruttore d'accensione

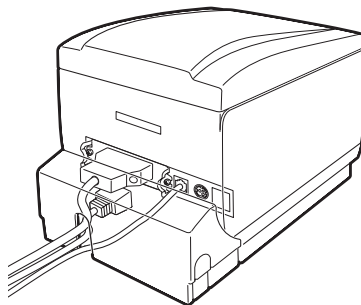
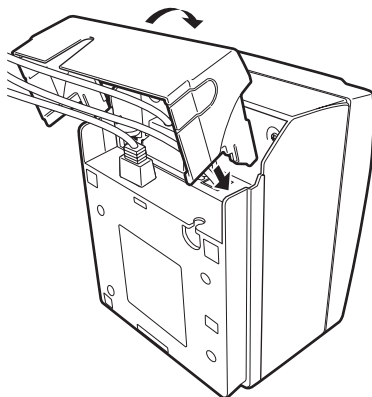
Per rimuoverlo, inserire un cacciavite o un oggetto a punta nelle fessure del coperchio interruttore d'accensione.

3.10 Applicazione del coperchio interfaccia

Applicare il coperchio interfaccia sul retro della stampante.

La forma del coperchio interfaccia varia a seconda del tipo di fonte di alimentazione.

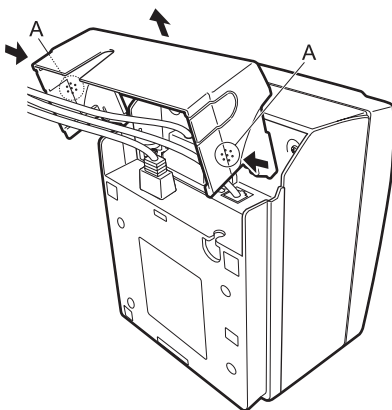
1. **Premere sul coperchio interfaccia come indicato nello schema finché non si avverte uno scatto.**



CT-S651S

3.11 Rimozione del coperchio interfaccia

Per togliere il coperchio interfaccia, premere su entrambi i lati nel punto indicato con A.



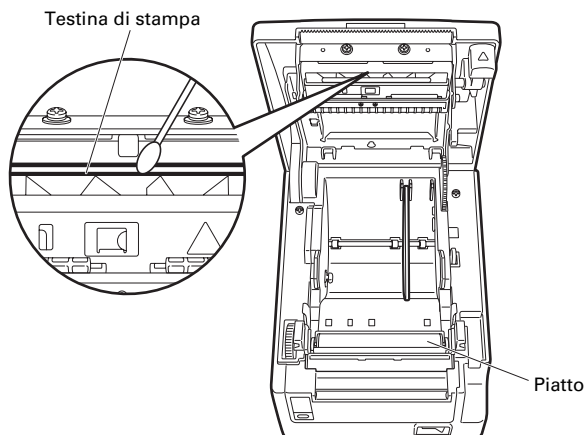
CT-S651S

4. MANUTENZIONE E ASSISTENZA

4.1 Pulizia periodica

Se la testina di stampa o il piatto sono sporchi, la qualità di stampa può risultare inferiore oppure si possono verificare malfunzionamenti. Si raccomanda pertanto di pulire periodicamente la stampante (ogni 2 o 3 mesi) come indicato di seguito.

1. Spegner la stampante.
2. Premere sul pulsante di apertura coperchio per aprire il coperchio carta.
3. Attendere qualche minuto perché la testina di stampa si raffreddino.
4. Passare un batuffolo di cotone inumidito con alcol etilico per eliminare lo sporco e la polvere presenti sulla testina di stampa e il piatto.

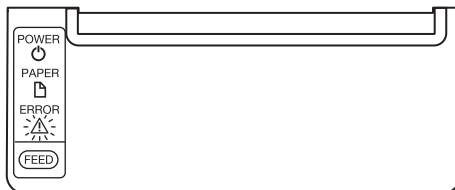


ATTENZIONE

- La testina di stampa diventa calda subito dopo la stampa. Non toccarla.
- Non toccare mai la testina di stampa a mani nude o con oggetti metallici.

4.2 Rimozione del blocco del dispositivo di taglio (1)

L'ERROR LED lampeggia e la lama del dispositivo di taglio automatico resta all'esterno per via di un oggetto estraneo o un inceppamento della carta che lo sta ostruendo.



Se l'ERROR LED lampeggia, eliminare il blocco dispositivo di taglio come spiegato di seguito.

1. **Accendere la stampante.**
2. **Premere sul pulsante di apertura coperchio per aprire il coperchio carta.**
3. **Rimuovere la carta inceppata compresi eventuali pezzi di carta strappati. (Inoltre, togliere il rotolo di carta dal supporto.)**
4. **Ricaricare il rotolo di carta e chiudere il coperchio carta.**



ATTENZIONE

- La testina di stampa diventa calda subito dopo la stampa. Non toccarla.
- Non toccare mai la testina di stampa a mani nude o con oggetti metallici.

Dopo la procedura “Rimozione del blocco del dispositivo di taglio (1)” e aprendo il coperchio carta, se la lama del dispositivo di taglio automatico è estesa, effettuare la procedura in “Rimozione del blocco del dispositivo di taglio (2)”.



Vedere 4.3 Rimozione del blocco del dispositivo di taglio (2)

4.3 Rimozione del blocco del dispositivo di taglio (2)

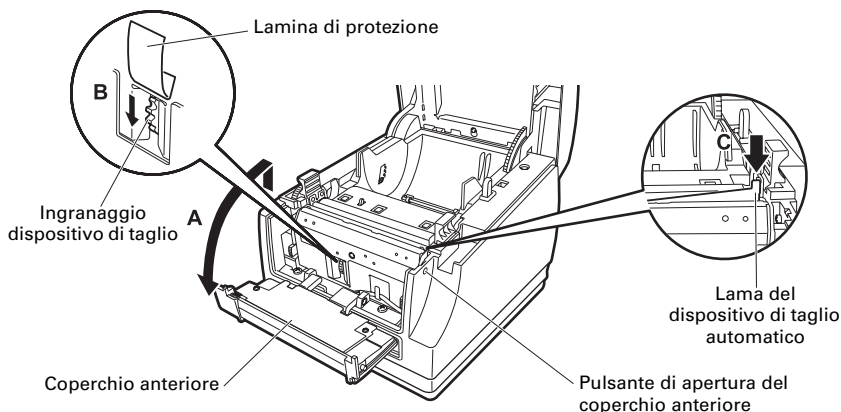
Il coperchio carta è realizzato in modo da poter essere aperto premendo sul pulsante di apertura coperchio in caso di bloccaggio del dispositivo di taglio. Se la lama del dispositivo di taglio automatico continua a rimanere estesa, per eliminare il blocco del dispositivo di taglio procedere come di seguito spiegato.

1. **Spegnere la stampante e staccare il cavo di alimentazione dalla presa elettrica.**
2. **Premere sul pulsante di apertura coperchio per aprire il coperchio carta.**
3. **Mentre si preme sul pulsante di apertura del coperchio anteriore con una penna o oggetto simile, far scorrere il coperchio anteriore di 10 mm verso l'alto.**
4. **Ruotare il coperchio anteriore in avanti nella direzione della freccia A.**
5. **Solleverla lamina protettiva e ruotare l'ingranaggio del dispositivo di taglio nel senso indicato dalla freccia B per riportare il dispositivo di taglio automatico nella posizione in cui il coperchio carta possa essere aperto.**

Far ruotare l'ingranaggio dispositivo di taglio finché la lama del dispositivo di taglio automatico rientra nel senso indicato dalla freccia C. Se la lama del dispositivo di taglio automatico non si sposta quando si ruota l'ingranaggio nel senso indicato dalla freccia B, ruotarlo in senso opposto.

6. **Togliere quanto aveva provocato il blocco del dispositivo di taglio automatico.**
7. **Chiudere il coperchio anteriore.**
Ruotare il coperchio anteriore nella direzione opposta della freccia A e premere la parte superiore del coperchio anteriore fino al click.
8. **Caricare il rotolo di carta e chiudere il relativo coperchio.**
9. **Inserire la spina del cavo di alimentazione nella presa elettrica ed accendere l'apparecchio.**

Accertarsi che il POWER LED si accenda.

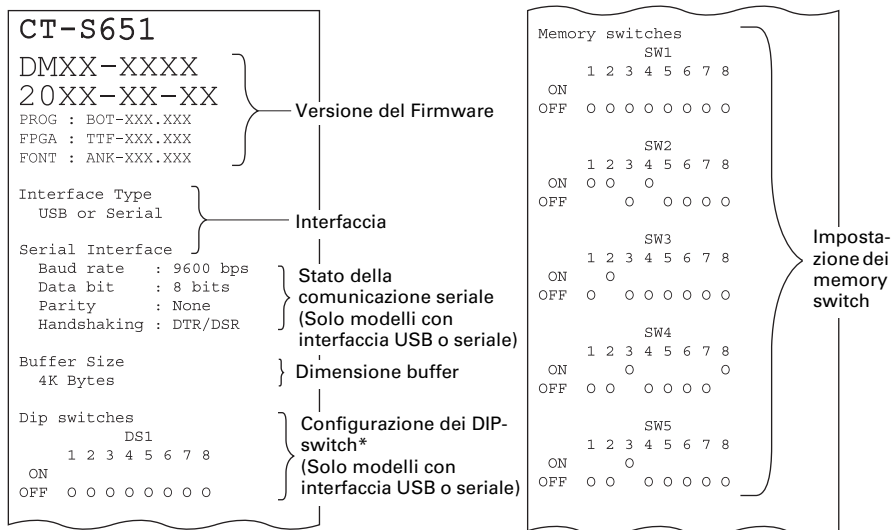


ATTENZIONE

- Prima di iniziare un qualunque intervento di manutenzione, spegnere la stampante e staccare la spina dalla presa elettrica.
- Durante l'apertura del coperchio anteriore fare attenzione a non toccare il dispositivo di taglio manuale.
- Quando il coperchio carta è aperto, fare attenzione a non toccare l'apertura del dispositivo di taglio automatico.
- La testina di stampa diventa calda subito dopo la stampa. Non toccarla.
- Non toccare mai la testina di stampa a mani nude o con oggetti metallici.
- Se con la procedura sopra esposta non si riesce a far rientrare il dispositivo di taglio automatico, contattare il rivenditore di Citizen Systems.

4.4 Stampa automatica (Autotest)

Con carta caricata, tener premuto il pulsante FEED mentre si inserisce l'alimentazione. Tenere premuto il pulsante FEED per circa un secondo quindi rilasciarlo per avviare la stampa automatica (autotest). La stampante stampa il nome del modello, la versione, la configurazione dei DIP-switch, le impostazioni dei memory switch e un elenco di font memorizzate.



Nota:

*: Le stampanti con un'interfaccia USB non sono dotate di DIP-switch, per cui nella stampa automatica tutti i DIP-switch compaiono disattivati.

4.5 Stampa della copia del contenuto memoria esadecimale

Stampa dei dati ricevuti in esadecimale. Se si riscontrano problemi come dati mancanti, duplicazione di dati, questa funzione permette di verificare se la stampante riceve i dati correttamente.

Come eseguire la stampa della copia del contenuto memoria esadecimale

1. Caricare la carta.
2. Con coperchio carta aperto, tener premuto il pulsante FEED mentre si inserisce l'alimentazione, quindi richiudere il coperchio carta.
3. La stampante stampa "HEX dump print mode" (modalità di stampa della copia del contenuto memoria esadecimale), poi stampa tutti i dati ricevuti sotto forma di numeri esadecimale e caratteri.

Come arrestare la stampa della copia del contenuto memoria esadecimale

Per arrestare la stampa eseguire una delle seguenti operazioni.

- Premere il pulsante FEED tre volte di seguito
- Spegner la stampante
- Ricevere un comando di reset da un'interfaccia



ATTENZIONE

- La stampante stampa "." se non trova un carattere corrispondente ai dati.
- Nessuno dei comandi funziona durante la stampa della copia del contenuto memoria esadecimale.
- Se i dati di stampa non riempiono una riga completa, premere il pulsante FEED per fare avanzare la carta.

Esempio di stampa
HEX dump print mode

```
61 62 63 64 65 66 67 0A 0D 0D 0D 0D abcdefg.....  
0D 0D 0D .....  
.....
```

4.6 Messaggi di errore

- Fine carta

La fine del rotolo di carta viene rilevato in due fasi: quasi-fine carta e fine carta. Quando viene rilevata la condizione di quasi-fine carta si accende il PAPER LED. Predispone un rotolo di carta nuovo.

Quando viene rilevata la condizione di carta finita si accende il PAPER LED e l'ERROR LED. Caricare un rotolo di carta nuovo.

- Coperchio carta aperto

Non aprire il coperchio carta durante la stampa. Se si apre il coperchio carta, l'ERROR LED si accende o lampeggia. Controllare la carta ed estrarla sempre di qualche centimetro per il dritto dalla stampante prima di chiudere il coperchio carta. Ripresa della stampa. La trasmissione di un comando di ripresa della stampa può essere necessario, in base alla regolazione dei memory switch.

- Dispositivo di taglio bloccato

Se il dispositivo di taglio automatico non si muove per via di un inceppamento della carta o per altro motivo, l'ERROR LED lampeggia. Eliminare la causa del problema e premere il pulsante FEED. Se il dispositivo di taglio automatico non funziona ancora e il coperchio carta non si apre, leggere "4.3 Rimozione del blocco del dispositivo di taglio (2)".










Vedere 4.3 Rimozione del blocco del dispositivo di taglio (2)

- Errore testina di stampa

Quando si stampano caratteri ad alta densità, immagini scure o si stampa per periodi prolungati in un ambiente caldo, la temperatura della testina di stampa aumenta. Se la temperatura della testina di stampa supera un limite prestabilito, la stampante cessa di funzionare ed aspetta fino a che la temperatura della testina di stampa si abbassa. Quando ciò si verifica, l'ERROR LED lampeggia. La stampa riprende automaticamente quando la testina di stampa si raffredda.

Di seguito riportiamo i display di stato per vari messaggi.

Stato	POWER LED (verde)	PAPER LED (arancione)	ERROR LED (rosso)	Cicalino*3
Quasi-fine carta	Acceso	Acceso	—	—
Fine carta	Acceso	Acceso	Acceso	Si
Coperchio carta o coperchio anteriore aperto *1	Acceso	—	Acceso	Si
Coperchio carta o coperchio anteriore aperto *2	Acceso	—		Si
Dispositivo di taglio bloccato	Acceso	—		Si
Errore di memoria	—	—		Si
Errore testina di stampa	Acceso	—		Si
Errore di tensione bassa	Acceso	—		Si
Errore di tensione alta	Acceso	—		Si
In attesa di esecuzione macro	Acceso	—		—

Note:

*1: Se il coperchio carta o il coperchio anteriore è aperto o in standby.

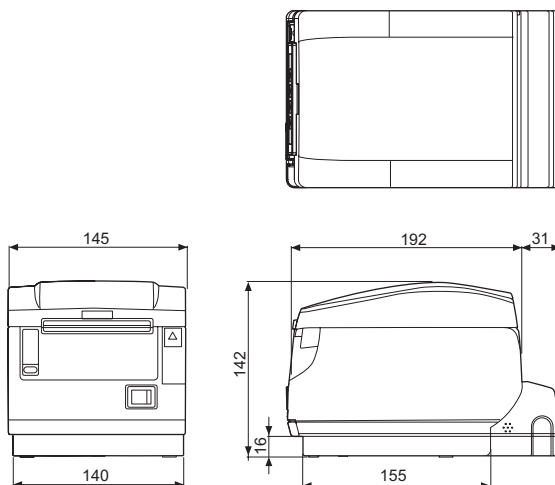
*2: Se il coperchio carta o il coperchio anteriore è aperto durante la stampa o l'alimentazione della carta.

*3: Il cicalino suona se si imposta MSW5-1 (impostazione cicalino) su ON.

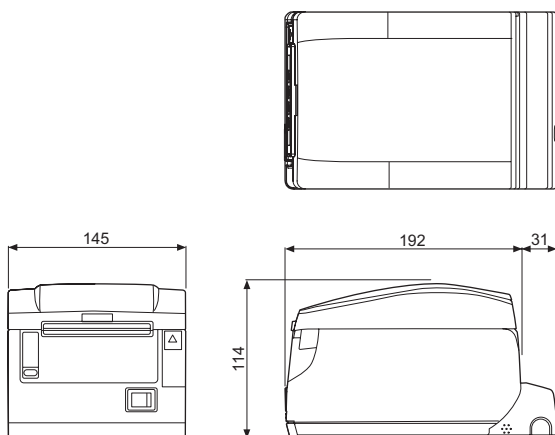
5. ALTRO

5.1 Viste e dimensioni esterne

(Unità: mm)



Tipo con alimentazione integrata



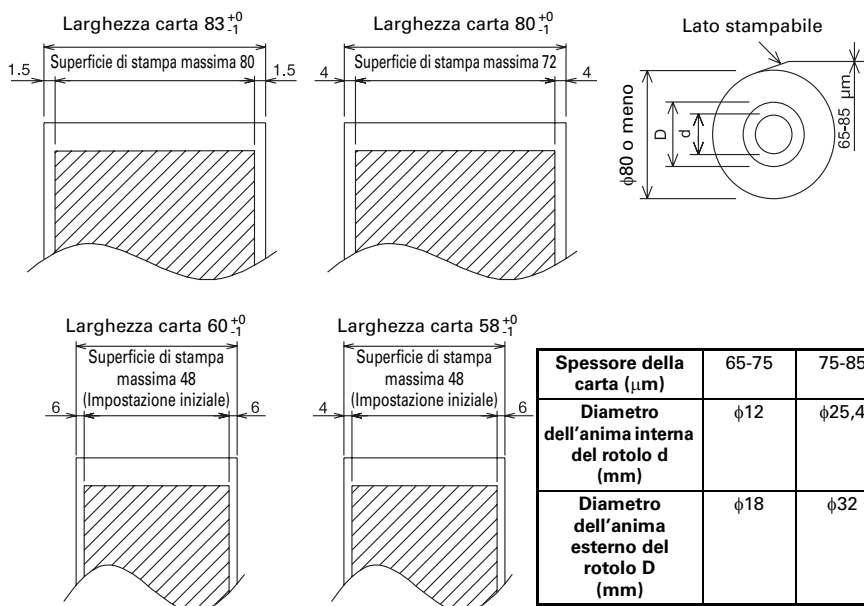
Tipo con adattatore CA

5.2 Carta per la stampa

Utilizzare la carta di stampa indicata nella tabella seguente o carta di qualità equivalente.

Tipo di carta	Nome del prodotto
Rotolo di carta termica raccomandata	TF50KS-E2D, TF50KS-E o TF60KS-E della Nippon Paper PD150R o PD160R della Ohji Paper PA220AG, HP220A, HP220AB-1, F230AA, P220AB o PB670 (carta bicolore) della Mitsubishi Paper

(Unità: mm)



ATTENZIONE

Utilizzare carta termica che è arrotolata come segue:

- Non corrugata e fissata strettamente all'anima del rotolo.
- Non piegata.
- Non incollata all'anima del rotolo.
- Arrotolata con il lato di stampa rivolto all'esterno.

5.3 Impostazione manuale dei memory switch

I memory switch sono utilizzati per configurare diverse impostazioni della stampante. I memory switch possono essere regolati manualmente (configurati a mano sulla stampante) o tramite comandi. Questa sezione spiega come eseguire le impostazioni manuali.

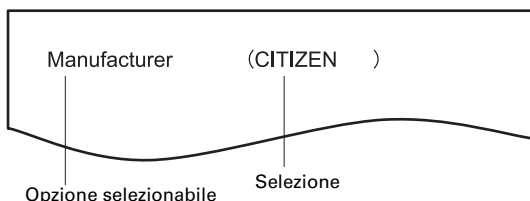
Per maggiori informazioni su come impostare i memory switch tramite comandi, vedere il Riferimento Comandi.

Modalità Quick setting

Le impostazioni dei memory switch per costruttore, modello, larghezza carta e spaziatura carattere di una stampante sostitutiva possono essere impostate contemporaneamente con le configurazioni ottimali.

Configurare confermando le opzioni selezionate sulla stampa.

1. **Caricare la carta.**
2. **Con coperchio carta aperto, tener premuto il pulsante FEED mentre si inserisce l'alimentazione.**
3. **Premere il pulsante FEED tre volte e chiudere il coperchio carta.**
La stampante accede alla modalità quick setting dei memory switch.
Vengono stampati l'opzione selezionabile "Manufacturer" e la selezione.



4. **Premere il pulsante FEED.**
Viene stampata una selezione nell'ordine ciclico ogni qualvolta si preme il pulsante FEED.
Premere il pulsante FEED finché la selezione desiderata non viene stampata.
5. **Premere il pulsante FEED per almeno due secondi.**
La selezione è impostata.
In caso di altra opzione selezionabile, questa verrà stampata insieme alla selezione.
6. **Ripetere i passaggi 4 e 5 per selezionare e impostare modello, larghezza carta, spaziatura carattere (solo EPSON T88).**
Quando tutte le opzioni sono state impostate, viene stampato "Save To Memory".
7. **Premere il pulsante FEED per almeno due secondi.**
Le configurazioni modificate del memory switch vengono salvate e viene stampato un elenco che le indica.
Al termine della stampa la stampante esce dalla modalità quick setting.

Opzione selezionata

Manufacturer	Model	Paper width	Character space
CITIZEN	CBM1000	58 mm	—
		80 mm	—
	CT-S300	58 mm	—
		80 mm	—
	CT-S2000	58 mm	—
		60 mm	—
		80 mm	—
83 mm		—	
EPSON	T88	58 mm	0dot
			1dot
		80 mm	0dot
			1dot
	203dpi	58 mm	—
		60 mm	—
		80 mm	—

Impostazioni automatiche dei memory switch

MSW2-4 Full Col Print	MSW3-7 CBM1000 Mode	MSW8-1 Print Width	MSW6-2 Character Space
LineFeed	Valid	432dots	—
LineFeed	Valid	576dots	—
WaitData	Invalid	384dots	—
WaitData	Invalid	576dots	—
LineFeed	Valid	432dots	—
LineFeed	Valid	436dots	—
LineFeed	Valid	576dots	—
LineFeed	Valid	640dots	—
WaitData	Invalid	360dots	0dot
WaitData	Invalid	390dots	1dot
WaitData	Invalid	512dots	0dot
WaitData	Invalid	546dots	1dot
WaitData	Invalid	420dots	—
WaitData	Invalid	436dots	—
WaitData	Invalid	576dots	—

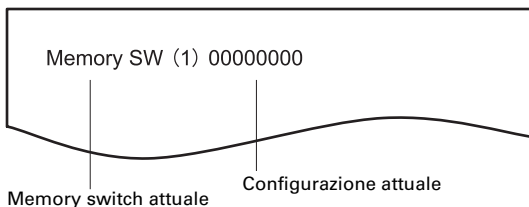
Modalità di configurazione singola

Configura i memory switch singolarmente.

Configurare confermando la funzione e le impostazioni del memory switch sulla stampa.

1. **Caricare la carta.**
2. **Con coperchio carta aperto, tener premuto il pulsante FEED mentre si inserisce l'alimentazione.**
3. **Premere il pulsante FEED due volte e chiudere il coperchio carta.**

La stampante accede alla modalità per la configurazione singola dei memory switch. La stampante stampa "Memory SW (1)" e la configurazione attuale, 0 (off) o 1 (on). (Le configurazioni attuali per i memory switch da 7 a 10 non vengono stampate).



4. **Premere il pulsante FEED.**

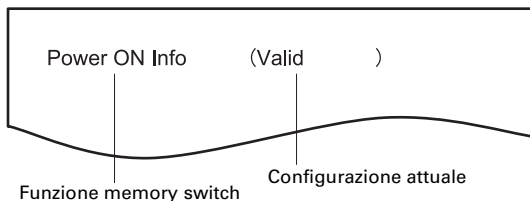
L'elenco dei memory switch appare con il seguente ordine "Memory SW (1)" → "Memory SW (2)" → ... "Memory SW (10)" → "Save To Memory" → "Memory SW (1)" → ogni volta che si preme il pulsante FEED.

Premere il pulsante FEED fino a quando non viene stampato il numero del memory switch che si desidera modificare.

5. Premere il pulsante FEED per almeno due secondi.

Viene stampata una configurazione per il memory switch, secondo l'ordine ciclico, ogni qualvolta si preme il pulsante FEED.

Premere il pulsante FEED per almeno due secondi per scorrere l'elenco fino a quando non viene stampata la funzione del memory switch che si desidera modificare.



6. Premere il pulsante FEED.

Viene stampata una configurazione ogni qualvolta si preme il pulsante FEED nell'ordine ciclico.

Quando vengono stampate le configurazioni correnti l'ERROR LED si accende.

Premere il pulsante FEED finché la configurazione desiderata non viene stampata.

7. Premere il pulsante FEED per almeno due secondi.

La selezione specificata è impostata.

Quindi vengono stampate la funzione e le configurazioni del memory switch successivo.

8. Ripetere i passaggi da 5 a 7 per modificare varie funzioni del numero attuale di memory switch.

9. Aprire e chiudere il coperchio carta.

Vengono stampate le configurazioni del memory switch modificato.

10. Ripetere i passaggi da 4 a 9 per modificare le funzioni di un numero diverso di memory switch.

11. Premere il pulsante FEED fino a quando non viene stampato "Save To Memory".

12. Premere il pulsante FEED per almeno due secondi.

Le configurazioni modificate del memory switch vengono salvate e viene stampato un elenco che le indica.

Al termine della stampa la stampante esce dalla modalità di configurazione singola.

Inizializzazione dei memory switch

Riporta tutti i memory switch ai valori predefiniti di fabbrica.

1. Effettuare i passaggi da 1 a 3 della procedura per accedere alla modalità di configurazione singola.

2. Premere il pulsante FEED fino a quando non viene stampato "Save To Memory".

3. Aprire il coperchio carta.

4. Premere il pulsante FEED per almeno due secondi.

Tutti i memory switch ritornano ai valori predefiniti di fabbrica.

5. Chiudere il coperchio carta.

La funzione di ciascun memory switch viene indicata nella tabella seguente. (I valori ombreggiati sono quelli delle impostazioni di fabbrica.)

N. switch	Funzione	OFF	ON
MSW1-1	Power ON Info	Valid	Not Send
MSW1-2	Buffer Size	4K bytes	45 bytes
MSW1-3	Busy Condition	Full/Err	Full
MSW1-4	Receive Error	Print“?”	No Print
MSW1-5	CR Mode	Ignored	LF
MSW1-6	Reserved	Fixed	—
MSW1-7	DSR Signal	Invalid	Valid
MSW1-8	Init Signal	Invalid	Valid
MSW2-1	Reserved	—	Fixed
MSW2-2	Auto Cutter	Invalid	Valid
*1 MSW2-3	Spool Print	Invalid	Valid
MSW2-4	Full Col Print	LineFeed	WaitData
MSW2-5	Resume aft PE	Next	Top
MSW2-6	Reserved	Fixed	—
MSW2-7	Reserved	Fixed	—
MSW2-8	PNE Sensor	Valid	Invalid
MSW3-1	Resume Ctrr Err	Valid	Invalid
MSW3-2	PE signal by PNE	Valid	Invalid
MSW3-3	Parallel 31 Pin	Valid	Invalid
MSW3-4	Reserved	Fixed	—
MSW3-5	Reserved	Fixed	—
MSW3-6	Reserved	Fixed	—
MSW3-7	CBM1000 Mode	Invalid	Valid
MSW3-8	Resume Open Err	Close	Command
MSW4-1	Reserved	Fixed	—
MSW4-2	Reserved	Fixed	—
MSW4-3	Feed&Cut at TOF	Invalid	Valid
MSW4-4	Reserved	Fixed	—
MSW4-5	Reserved	Fixed	—
MSW4-6	Reserved	Fixed	—
MSW4-7	Reserved	Fixed	—
MSW4-8	Partial Only	Invalid	Valid
MSW5-1	Buzzer	Valid	Invalid
MSW5-2	Line Pitch	1/360	1/406
MSW5-3	USB Mode	Virtual COM	Printer Class
MSW5-4	Reserved	Fixed	—
MSW5-5	Reserved	Fixed	—
MSW5-6	Reserved	Fixed	—
MSW5-7	Reserved	Fixed	—
MSW5-8	Reserved	Fixed	—

N. switch	Funzione	OFF	ON
MSW6-1	Act. For Driver	Invalid	Valid
MSW6-2	Character Space	Invalid	Valid
MSW6-3	Reserved	Fixed	—
MSW6-4	Reserved	Fixed	—
MSW6-5	Reserved	Fixed	—
MSW6-6	Reserved	Fixed	—
MSW6-7	Reserved	Fixed	—
MSW6-8	Reserved	Fixed	—

N. switch	Funzione	Impostazione iniziale	Valore impostato
*2 MSW7-1	Baud Rate	9600 bps	1200 bps, 2400 bps, 4800 bps, 9600 bps, 19200 bps, 38400 bps, 57600 bps, 115200 bps
*2 MSW7-2	Data Length	8bits	7bits, 8bits
*2 MSW7-3	Stop Bit	1bit	1bit, 2bits
*2 MSW7-4	Parity	NONE	NONE, EVEN, ODD
*2 MSW7-5	Flow Control	DTR/DSR	DTR/DSR, XON/XOFF
*2 MSW7-6	DMA Control	Valid	Valid, Invalid
*2 MSW7-7	VCom Protocol	PC Setting	PC Setting, DTR/DSR, XON/XOFF
MSW8-1	Print Width	576dots (Tipo da 3 pollici) 384dots (Tipo da 2 pollici)	640dots, 576dots, 512dots, 436dots, 432dots, 420dots, 384dots, 360dots, 390dots, 546dots, 390dots, 546dots
MSW8-2	Paper Type	1 Color Normal	1 Color Normal, 2 Color Normal
*3 MSW8-3	Top Margin	11mm	3mm, 4mm, 5mm, 6mm, 7mm, 8mm, 9mm, 10mm, 11mm
*3 MSW8-4	Line Gap Reduce	Invalid	Invalid, 3/4, 2/3, 1/2, 1/3, 1/4, 1/5, ALL
*4 MSW8-7	Liner Free Mode	Invalid	Invalid, 1h, 6h, 12h, 18h, 24h, 5m, 10m, 15m, 20m, 30m
MSW9-1	Code Page	PC 437	PC 437, Katakana, PC 850,858, PC 860, PC 863, PC 865, PC 852, PC 866, PC 857, WPC1252, Space page, PC 864, Thai Code 18
MSW9-2	Int'Char Set	USA	USA, France, Germany, England, Denmark, Sweden, Italy, Spain, Japan, Norway, Denmark 2, Spain 2, Latin America, Korea, Croatia, China
MSW9-3	Kanji	OFF	ON, OFF
MSW9-4	JIS/Shift JIS	JIS	JIS, Shift JIS
MSW10-1	Print Density	100 %	70 %, 75 %, 80 %, 85 %, 90 %, 95 %, 100 %, 105 %, 110 %, 115 %, 120 %, 125 %, 130 %, 135 %, 140 %
MSW10-2	Print Speed	Level 9	Level 1, Level 2, Level 3, Level 4, Level 5, Level 6, Level 7, Level 8, Level 9
MSW10-3	ACK Timing	Before Busy	Before Busy, Same Period, After Busy
*4 MSW10-4	Emulation Type	ESC/POS	ESC/POS, CBM1, CBM2
MSW10-5	Reserved		
MSW10-6	Buzzer Sound	Tone 2	Tone 1, Tone 2, Tone 3, Tone 4

Note:

*1: Se i dati di stampa sono molto corposi, la testina di stampa si scalda, la trasmissione dei dati rallenta oppure si vengono ad instaurare altre condizioni critiche, per esempio il motore o la stampa potrebbero occasionalmente arrestarsi, con conseguenti strisciate bianche sullo stampato. Per stampare dati ad elevata densità, portare MSW2-3 (Spool Print) su ON per ridurre la comparsa di strisce, anche se in tal modo si aumenta il tempo di attesa prima dell'inizio della stampa.

In caso di interfaccia seriale, aumentare la velocità di trasmissione per impedire l'arresto del motore.

*2: I valori i memory switch MSW7-X sono effettivi solo quando il DIP switch n. 1 è impostato su OFF.

*3: Attivo per versione firmware Dxxx-2500 e successiva.

*4: Attivo per versione firmware Dxxx-2300 e successiva.

ESPAÑOL

PRECAUCIONES GENERALES

- Antes de utilizar este producto, asegúrese de leer completamente este manual. Después de leer este manual, guárdelo en un lugar seguro y de fácil acceso para consultas futuras.
- La información de este manual está sujeta a cambios sin previo aviso.
- La reproducción o transferencia parcial o total de este documento por cualquier medio está prohibida si no se dispone del permiso de Citizen Systems.
- Citizen Systems no se hace responsable de los resultados de impresión la existencia de omisiones, errores o erratas en este manual.
- Citizen Systems no es responsable por cualquier problema causado como resultado del uso de partes opcionales o materiales de consumo no especificados en este manual.
- A menos que se explique en alguna parte en este manual, no intente desmontar o reparar este producto.
- Citizen Systems no es responsable por ningún daño atribuible a una operación/manejo incorrecto, o condiciones ambientales inadecuadas que no se especifiquen en este manual.
- Los datos son básicamente para uso temporal y no son almacenados durante un largo período de tiempo ni permanentemente. Citizen Systems no se hace responsable de los daños o lucro cesante que pudieran resultar de la pérdida de datos por accidentes, reparaciones, pruebas u otras causas.
- Si detecta alguna omisión o error o bien tiene alguna duda, póngase en contacto con su concesionario Citizen Systems.
- Si detecta que falta alguna página o que están incorrectamente ordenadas, póngase en contacto con su concesionario Citizen Systems para obtener un manual de reposición.

CITIZEN is a registered trade mark of Citizen Watch Co., Ltd, Japan

CITIZEN es una marca registrada de Citizen Watch Co., Ltd, Japón

Company names and product names in this manual are trademarks or registered trademarks of relevant companies.

Copyright© 2018 by CITIZEN SYSTEMS JAPAN CO., LTD.

NORMAS DE SEGURIDAD ..QUE DEBEN SER SEGUIDAS ESTRICTAMENTE

Antes de utilizar este producto por primera vez, lea atentamente estas NORMAS DE SEGURIDAD. La manipulación incorrecta puede resultar en accidentes (incendio, choque eléctrico o lesión). Para evitar lesiones a los operadores, a terceros, o daños materiales, en este Manual de Usuario se utilizan símbolos especiales de advertencia para indicar los puntos importantes que deben observarse estrictamente.

- Después de haber leído este manual, guárdelo en un lugar seguro al que pueda acceder fácilmente para poder consultarlo en el futuro.
- Algunas de las descripciones de este manual podrían no ser relevantes para algunos modelos de impresoras.

A continuación se describe el grado de peligro y los daños que podrían producirse si la impresora no es utilizada de la forma correcta o si se ignoran las instrucciones indicadas por los símbolos de advertencia.



ADVERTENCIA

Si no se cumplen las normas indicadas por este símbolo se pueden producir lesiones mortales o graves.



PRECAUCION

Si no se cumplen las precauciones indicadas con este símbolo, se pueden producir lesiones personales o daños materiales.



Este símbolo se utiliza para avisarle de puntos importantes.



Este símbolo se utiliza para avisarle del peligro de descargas eléctricas o daños electrostáticos.



Este símbolo indica que la impresora debe ser desconectada de la toma de corriente.



Este símbolo se utiliza para indicar que la fuente de alimentación debe conectarse a tierra.



Este símbolo se utiliza para indicar una información útil, tal como procedimientos, instrucciones y otros.



Este símbolo se utiliza para indicar acciones prohibidas.

PRECAUCIONES DE INSTALACIÓN PARA LA IMPRESORA

ADVERTENCIA

- No utilice ni guarde este producto en un lugar donde esté expuesto a:
 - * Llamas o aire húmedo.
 - * Luz solar directa.
 - * Aire caliente o calor procedente de un aparato de calefacción.
 - * Atmósfera salina o gases corrosivos.
 - * Lugar mal ventilado.
 - * Reacciones químicas en un laboratorio.
 - * Aceite, partículas de acero o polvo en el aire.
 - * Electricidad estática o campos magnéticos intensos.
- **Si no se observan estas advertencias se puede producir un fallo en la impresora, recalentamiento, emisión de humo, incendio o descarga eléctrica.**



- No deje caer ningún objeto extraño ni derrame líquidos en el interior de la impresora. No ponga tampoco ningún objeto encima de la impresora.
- No deje caer ningún objeto metálico como, por ejemplo, clips sujetapapeles, alfileres o tornillos en el interior de la impresora.
- No coloque floreros, macetas o recipientes que contengan agua encima de la impresora.
- No derrame café, bebidas o cualquier otro líquido en el interior de la impresora.
- No rocíe insecticida ni ningún otro líquido químico encima de la impresora.
- **La caída accidental de un objeto extraño metálico en la impresora puede causar averías, un incendio o una descarga eléctrica. Si ocurriese, apague inmediatamente la impresora, desenchúfela de la toma de corriente y llame a su concesionario Citizen Systems local.**



No utilice la impresora en los siguientes casos:

- No someta la impresora a fuertes impactos o sacudidas bruscas (por ejemplo, que sea pisoteada, se deje caer o reciba golpes).
- No intente nunca desmontar ni modificar la impresora.
- **El manejo incorrecto de la impresora puede ser la causa de que ésta falle, se recaliente, emita humo, se produzca un incendio o una descarga eléctrica.**



- Instale, utilice o guarde la impresora fuera del alcance de los niños.
- **Los aparatos eléctricos pueden causar lesiones o accidentes inesperados si se manejan o utilizan incorrectamente.**
- **Mantenga el cable de alimentación y los cables de señales fuera del alcance de los niños. Tampoco debe permitirse que los niños tengan acceso a la parte interna de la impresora.**
- **La bolsa de plástico en la que se entrega la impresora deberá ser eliminada correctamente o guardarse fuera del alcance de los niños. Cubrirse la cabeza con ella puede causar asfixia.**





PRECAUCION

No utilice la impresora en las siguientes condiciones.

- Evite aquellos lugares inestables o sometidos a vibraciones.
- Evite aquellos lugares en los que la impresora no esté nivelada.
- **La impresora podría caerse o causar lesiones.**
- **La calidad de impresión podría deteriorarse.**
- No bloquee los orificios de ventilación de la impresora.
- No coloque ningún objeto encima de la impresora.
- No cubra o envuelva la impresora con un paño o una sábana.
- **De hacerlo, podría dar lugar a la acumulación de calor y deformación de la carcasa, y provocar un incendio.**
- No utilice la impresora cerca de una radio o un televisor, ni la conecte a la misma toma de corriente de dichos aparatos.
- Evite utilizar la impresora interconectada con un cable o cordón que no tenga protección contra ruido. (Para las interconexiones, utilice un cable blindado o un cable de par trenzado y núcleos de ferrita, u otros dispositivos antirruido.)
- Evite utilizar la impresora junto a un aparato que sea una fuente de ruido intenso.
- **La impresora puede causar un efecto adverso en las emisiones de radio y TV cercadas. También pueden haber casos en que los aparatos eléctricos cercanos afecten adversamente a la impresora, causando errores de datos o fallos de funcionamiento.**
- Instalada con una orientación distinta a las especificadas.
- **Puede resultar en funcionamiento erróneo, falla o choque eléctrico.**



- Conecte la impresora a una toma de tierra.
- **Las fugas eléctricas pueden ocasionar descargas eléctricas.**
- No conecte la toma a tierra de la impresora a ninguno de los puntos siguientes:
 - * Tuberías de gas
 - **Podría producirse una explosión de gas.**
 - * Tierra de la línea telefónica
 - * Pararrayos
 - **Si cae un rayo, la sobrecorriente podría causar un incendio o una descarga eléctrica.**
 - * Tuberías de agua
 - **Para hacer la conexión a tierra no deberán utilizarse tuberías de agua de plástico. (Podrán utilizarse las tuberías aprobadas por la compañía de Abastecimiento de Agua.)**
- Antes de conectar o desconectar el cable de puesta a tierra a/de la impresora, desenchufe siempre la impresora de la toma de corriente eléctrica.



PRECAUCIONES PARA EL MANEJO DE LA IMPRESORA

ADVERTENCIA

Tenga en cuenta las precauciones siguientes para la fuente de alimentación y el cable de alimentación:

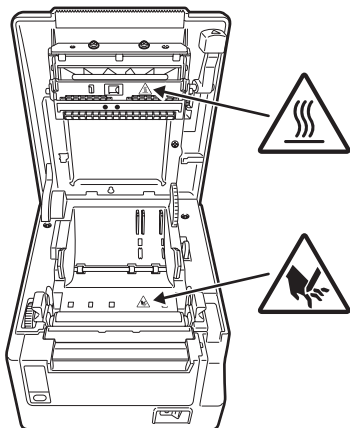
- No enchufe ni desenchufe el cable de alimentación con las manos mojadas.
- Utilice la impresora solamente con la tensión y la frecuencia especificada.
- Utilice solamente el adaptador de CA especificado con la impresora.
- Asegúrese de que la toma de corriente a la que conecte la impresora tenga la capacidad suficiente.
- No conecte la impresora a una toma de corriente compartida con otros aparatos.
- No enchufe el cable de alimentación a una toma eléctrica si el enchufe tiene polvo u otro tipo de suciedad adherida.
- No utilice un cable de alimentación deformado o estropeado.
- No mueva la impresora mientras está encendida.
- **El manejo incorrecto de la impresora puede provocar fallos, emisión de humo, incendio o descarga eléctrica.**
- **Una sobrecarga puede hacer que el cable de alimentación se recaliente, se incendie o se dispare el disyuntor.**
- No coloque nada encima del cable de alimentación. No coloque la impresora en un lugar donde el cable de alimentación pueda ser pisado.
- No utilice ni traslade la impresora con su cable de alimentación doblado, retorcido o estirado.
- No intente modificar el cable de alimentación si no es necesario.
- No coloque el cable de alimentación cerca de un aparato de calefacción.
- **Si no se observan estas precauciones, podrían romperse los cables o el aislamiento, lo que podría causar fugas y descargas eléctricas, o fallos en la impresora. Si el cable de alimentación sufre daños, entre en contacto con su concesionario Citizen Systems.**
- No deje ningún objeto alrededor de la toma de corriente.
- Suministre alimentación eléctrica a la impresora desde una toma mural próxima, fácilmente accesible en caso de emergencia.
- **En caso de emergencia, tire del enchufe para apagarla inmediatamente.**
- Inserte completamente el enchufe de alimentación en la toma de corriente.
- Si no se va a utilizar la impresora durante un período de tiempo prolongado, déjela desconectada de la toma de corriente eléctrica.
- Sostenga el enchufe y el conector cuando enchufe o desenchufe el cordón de alimentación o cable de señales después de apagar la impresora y el aparato conectado a ésta.





PRECAUCION

Hay una etiqueta de precaución colocada en la posición que se indica en la imagen siguiente. Antes de utilizar la impresora, lea atentamente las precauciones de uso.



ESTA ETIQUETA INDICA QUE EXISTE RIESGO DE SUFRIR QUEMADURAS DEBIDO A LAS ALTAS TEMPERATURAS DEL CABEZAL DE IMPRESIÓN, ASÍ COMO RIESGO DE SUFRIR CORTES POR LAS CIZALLAS MANUALES Y AUTOMÁTICAS MIENTRAS LA TAPA DEL PAPEL ESTÁ ABIERTA.

- No transporte esta impresora con el rollo de papel en el interior.
- Podrían producirse fallos o daños en la impresora.

Para evitar fallos de funcionamiento tenga en cuenta lo siguiente:

- No abra la tapa del papel mientras se está imprimiendo.
- Evite utilizar la impresora sin estar correctamente cargado el papel.
- Evite utilizar papel que no cumpla con las especificaciones.
- **Puede resultar en una calidad de impresión inadecuada.**
- No utilice papel roto o empalmado con cinta adhesiva de plástico.
- Evite tirar con la mano del papel que ya está cargado.
- No utilice objetos puntiagudos para pulsar los botones.



- Asegúrese de insertar firmemente las clavijas del enchufe en las tomas correspondientes.
- **Una mala conexión puede dañar los componentes electrónicos internos o el hardware del ordenador al que está conectada.**
- Utilice solamente la impresora con los dispositivos que tienen las especificaciones de solenoide descritas para el conector de interfaz del cajón portamonedas.
- **Si no se tiene en cuenta esta precaución se pueden producir fallos de funcionamiento de la impresora.**





PRECAUCION

Para impedir lesiones y fallos de funcionamiento tenga en cuenta lo siguiente:

- Mientras la tapa del papel está abierta, procure no tocar la cizalla manual situada en la ranura de expulsión del papel.
- No toque la superficie de impresión de la cabeza térmica.
- No toque las piezas móviles (como, por ejemplo, la cizalla del papel, los engranajes o las piezas eléctricas con corriente) mientras la impresora está en funcionamiento.
- En el caso de problemas no intente reparar la impresora. Solicite la reparación al centro de servicio de Citizen Systems.
- Tenga cuidado para no pillarse las manos o los dedos con las tapas de la impresora.
- Tenga cuidado con los bordes afilados de la impresora. Procure que no se produzcan lesiones personales o daños materiales.
- **Se puede producir descarga eléctrica, quemadura o lesión.**



Si la impresora emite humos u olores o ruidos extraños al imprimir, cancele inmediatamente la sesión de impresión en curso y desenchúfela de la toma de corriente.



MANTENIMIENTO DIARIO

Tome las precauciones siguientes para el mantenimiento diario:

- Cuando vaya a limpiar la impresora, apáguela y desconéctela siempre de la toma de corriente.
- Utilice un paño suave y seco para limpiar la superficie de la caja de la impresora.
Para las manchas difíciles de retirar, utilice un paño suave humedecido ligeramente en agua.
Nunca utilice disolventes orgánicos de limpieza tal como alcohol, diluyente de pintura, tricloroetileno, bencina o cetona. Nunca utilice un paño de limpieza procesado químicamente.
- Para retirar el polvo de papel, utilice una escobilla suave.



PRECAUCION

- **La cabeza térmica estará muy caliente inmediatamente después de imprimir. Deje que se enfríe antes de iniciar las tareas de mantenimiento.**

Visite el sitio Web siguiente para descargarse documentación, controladores, utilidades y demás información.

<http://www.citizen-systems.co.jp/english/support/index.html>

ÍNDICE

1. NOCIONES GENERALES	9
1.1 Características.....	9
1.2 Desembalaje.....	10
1.3 Clasificación del modelo	10
1.4 Especificaciones generales	11
2. EXPLICACION DE LAS PARTES DE LA IMPRESORA	12
2.1 Aspecto de la Impresora	12
2.2 Interior de la tapa del papel	15
2.3 Otras funciones integradas.....	16
3. SETUP	17
3.1 Conexión del cable de alimentación de CA.....	17
3.2 Conexión de los cables de interfaz.....	18
3.3 Conexión del cajón portamonedas	20
3.4 Precauciones para la instalación de la impresora	22
3.5 Separador para rollo de papel.....	23
3.6 Ajuste de los interruptores DIP en la placa de interfaz serie ...	24
3.7 Ajuste del sensor de papel casi agotado	26
3.8 Carga del papel	27
3.9 Colocación de la tapa del interruptor de alimentación	28
3.10 Colocación de la tapa de conexiones.....	28
3.11 Extracción de la tapa de conexiones.....	29
4. MANTENIMIENTO Y LOCALIZACION DE AVERIAS	30
4.1 Limpieza periódica.....	30
4.2 Desbloqueo de la cizalla (1)	31
4.3 Desbloqueo de la cizalla (2)	32
4.4 Autotest	33
4.5 Impresión de volcado hexadecimal	34
4.6 Mensajes de error.....	35
5. OTROS	37
5.1 Vistas externas y dimensiones	37
5.2 Papel de Impresión.....	38
5.3 Ajuste manual de los interruptores de memoria	39

1. NOCIONES GENERALES

La impresora térmica por líneas serie CT-S651 ha sido diseñada para utilizarse con una amplia gama de equipos terminales, tales como terminales de datos, POS y de cocina.

Estas impresoras incorporan numerosas funciones, por lo que se pueden utilizar en una amplia variedad de aplicaciones.

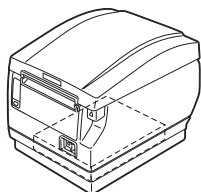
1.1 Características

- Impresión a alta velocidad (200 mm/s)
- Diseño tan compacto que se puede instalar en cualquier lugar (tamaño máximo del rollo de papel: 83 mm (3 pulgadas))
- Construcción hermética que evita la entrada de agua por la parte superior
- El papel sale por la parte delantera, lo que permite colocar la impresora se espacios reducidos
- Elija entre dos modelos con rollos de papel de 83/80 mm (3 pulgadas) o de 60/58 mm (2 pulgadas) de ancho
- Disponibles con fuente de alimentación integrada o con adaptador de CA
- Indicación de estado y errores de la impresora mediante pilotos LED y zumbador
- Incorpora una cizalla rápida y silenciosa
- Atascos de la cizalla fáciles de eliminar
- Interfaz intercambiable
- Interfaz de cajón portamonedas integrada
- Personalizable mediante interruptores de memoria
- Guarda logotipos y caracteres definidos por el usuario en la memoria de usuario
- Admite impresión de códigos de barras y códigos de barras 2D
- Admite impresión en 2 colores (cuando se utiliza el papel especificado)
- Incluye software con controladores y utilidades

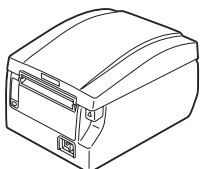
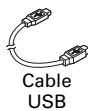
1.2 Desembalaje

Compruebe que los artículos siguientes se incluyen con la impresora.

- | | | | |
|---|---------|---|---|
| ● Impresora: | 1 | ● Guía de arranque rápido: | 1 |
| ● Tapa de conexiones: | 1 | ● Adaptador de CA*1: | 1 |
| ● Cable de alimentación de CA: | 1 | ● Cable USB*2: | 1 |
| ● Tapa del interruptor de alimentación: | 1 | Notas: | |
| ● Rollo de papel de muestra: | 1 rollo | *1: Sólo CT-S651A | |
| ● CD-ROM: | 1 | *2: Sólo las de tipo con interfaz USB
En los mercados designados | |



CT-S651S (Tipo con fuente de alimentación integrada)
36AD3 Adaptador de CA integrado

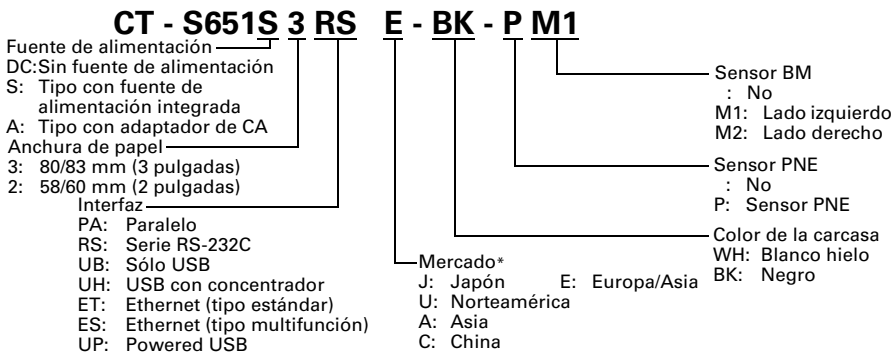


CT-S651A
(Tipo con adaptador de CA)



1.3 Clasificación del modelo

Los números de modelo indican funciones de la impresora según el sistema siguiente:



Nota:

*: El cable de alimentación de CA, el tornillo I/F serie, el firmware y demás especificaciones pueden variar según el mercado.

1.4 Especificaciones generales

Elemento	Especificaciones					
Modelo	CT-S651					
Método de impresión	Método de impresión térmica por líneas de puntos					
Anchura de impresión *1	80 mm/640 puntos, 72 mm/576 puntos, 64 mm/512 puntos, 54,5 mm/436 puntos, 54 mm/432 puntos, 52,5 mm/420 puntos, 48 mm/384 puntos, 45 mm/360 puntos, 48,75 mm/390 puntos, 68,25 mm/546 puntos					
Densidad de punto	8 × 8 puntos/mm (203 ppp)					
Velocidad de impresión	200 mm/s (impresión más rápida, densidad de impresión del 100%), 1600 líneas de puntos/s					
Número de columnas de impresión *2	—	Número máximo de caracteres (columnas)				Configuración de punto (puntos)
	Anchura de papel	83 mm	80 mm	60 mm	58 mm	
	Fuente					
	Fuente A	53	48	36	35	
	Fuente B	71	64	48	46	
Fuente C	80	72	54	52	8 × 16	
Tamaño de caracteres*3	Fuente A: 1,50 × 3,00 mm Fuente C: 1,00 × 2,00 mm Fuente B: 1,13 × 2,13 mm					
Tipos de caracteres	Alfanuméricos, internacionales, PC437/850/852/857/858/860/863/864/865/866/WPC1252/katakana/Thai código 18					
Memoria de usuario	384 KB (puede guardar logotipos y caracteres definidos por el usuario)					
Tipos de códigos de barras	UPC-A/E, JAN (EAN) 13/8 columnas, ITF, CODE39, CODE128, CODABAR (NW-7), CODE93, PDF417, Código QR					
Separación entre líneas	4,23 mm (1/6 pulgada) (modificable mediante comandos)					
Rollo de papel	Rollo de papel: 83 ⁺⁰ ₋₁ mm/80 ⁺⁰ ₋₁ mm/60 ⁺⁰ ₋₁ mm/58 ⁺⁰ ₋₁ mm × máximo φ83 mm Grosor del papel: 65-75 μm (diámetro del tubo central: interno 12 mm/externo 18 mm) 75-85 μm (diámetro del tubo central: interno 25,4 mm/externo 32 mm)					
Interfaz	Serie (cumple con RS-232C), paralelo (cumple con IEEE 1284), USB, USB con concentrador, Ethernet, Powered USB					
Cajón portamonedas	Admite 2 cajones portamonedas					
Tamaño del búfer	4 k bytes/45 bytes					
Tensión de alimentación	24 V CC ±5%					
Consumo	45 W aproximadamente (impresión normal), 3 W (en espera)					
Adaptador de CA *4 (36AD2, 36AD3)	Entrada nominal: 100 a 240 V CA, 50/60 Hz, 150 VA Salida nominal: 24 V CC, 2,1 A					
Peso	CT-S651S: 1,9 kg aprox., CT-S651A: 1,5 kg aprox.					
Dimensiones externas	CT-S651S: 145 (An) × 192 (Pr) × 142 (Al) mm CT-S651A: 145 (An) × 192 (Pr) × 114 (Al) mm					
Temperatura y humedad de funcionamiento	5 a 45°C, 10 a 90% HR (sin condensación)					
Temperatura y humedad de almacenamiento	-20 a 60°C, 10 a 90% HR (sin condensación)					
Fiabilidad	Vida útil del cabezal de impresión: 150 km, 200 millones de impactos (a temperatura/humedad normales, con el papel y el grosor de papel recomendados) Vida útil de la cizalla automática: 2 millones de cortes (corte completo), 1,6 millones de cortes (corte parcial) (a temperatura/humedad normales, con el papel y el grosor de papel recomendados)					
Normas de seguridad *5	UL, C-UL, FCC Class A, TÜV-Bauart, CE Marking					

Notas:

*1: Cuando la anchura de papel es de 83, 80, 60 o 58 mm.

*2: El número de columnas que se puede imprimir se selecciona mediante un interruptor de memoria.

El número de columnas que se indica en esta tabla hace referencia a los modelos típicos. El número de columnas varía según las especificaciones.

*3: Los caracteres aparecen pequeños puesto que las dimensiones incluyen una zona en blanco alrededor de cada carácter.

*4: El adaptador de CA 36AD2 se suministra como accesorio de la CT-S651A.

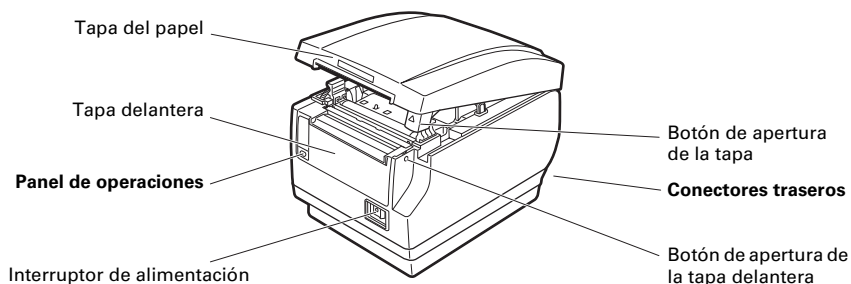
El adaptador de CA 36AD3 está integrado en la CT-S651S.

*5: Se cumplen si se utiliza el adaptador de CA Citizen Systems (36AD2/36AD3).

2. EXPLICACION DE LAS PARTES DE LA IMPRESORA

2.1 Aspecto de la Impresora

Nombre de las piezas



- **Tapa del papel**
Ábrala para cargar el papel.
- **Botón de apertura de la tapa**
Use este botón para abrir la tapa del papel.
- **Tapa delantera**
Abra y cierre esta tapa para desbloquear la cizalla.

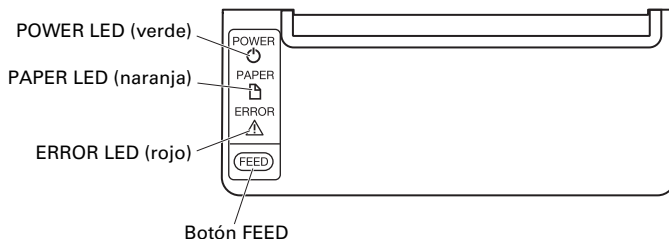


Consulte 4.3 Desbloqueo de la cizalla (2)

- **Botón de apertura de la tapa delantera**
Pulse este botón para abrir la tapa delantera.

- **Interruptor de alimentación**
Pulse este interruptor para conectar o desconectar la alimentación.

Panel de operaciones



- **POWER LED (verde)**
Se ilumina cuando se conecta la alimentación, y se apaga cuando se desconecta la alimentación.
Parpadea cuando se reciben datos o se ha producido un error de memoria.
- **PAPER LED (naranja)**
Se ilumina en naranja cuando queda poco papel (papel casi agotado) o no hay papel (papel agotado).
- **ERROR LED (rojo)**
Parpadea si el cabezal de impresión está caliente, la tapa del papel está abierta o se bloquea la cizalla, etc.
- **Botón FEED**
Pulse este botón para alimentar papel.
En caso de bloqueo de la cizalla, solucione el problema, cierre la tapa del papel y, a continuación, pulse el botón FEED.
La impresora entra en el modo de configuración de los interruptores de memoria y de ejecución del autotest.



Consulte 4.4 Autotest

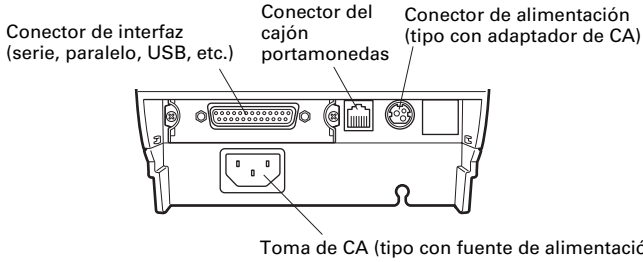


Consulte 4.6 Mensajes de error



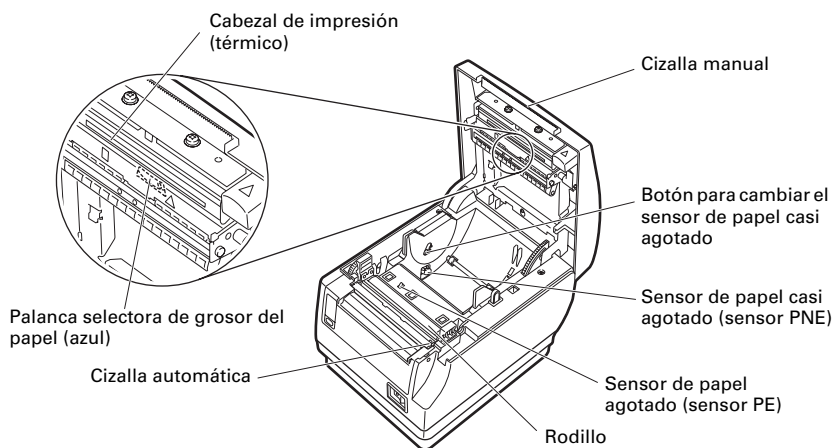
Consulte 5.3 Ajuste manual de los interruptores de memoria

Conectores traseros



- Conector de interfaz (serie, paralelo, USB, etc.)
Conecta el cable de interfaz.
La placa de interfaz serie cuenta con interruptores DIP.
- Conector del cajón portamonedas
Conecta el cable del cajón portamonedas.
- Conector de alimentación (tipo con adaptador de CA)
Conecta el cable del adaptador de CA.
- Toma de CA (tipo con fuente de alimentación integrada)
Conecta el cable de alimentación CA.

2.2 Interior de la tapa del papel



- **Rodillo**
Hace avanzar el papel.
No retire el rodillo salvo para realizar tareas de mantenimiento.
- **Sensor de papel casi agotado (sensor PNE)**
Detecta cuando el rollo de papel está casi agotado. Ajuste la posición del sensor para determinar cuando detecta que queda poco hasta el final del rollo de papel.
- **Botón para cambiar el sensor de papel casi agotado**
Cambie la posición del sensor de papel casi agotado para adaptarla al papel que esté utilizando.



Consulte 3.7 Ajuste del sensor de papel casi agotado

- **Cizalla manual**
Para cortar el papel manualmente cuando finaliza la impresión.
- **Cizalla automática**
Corta el papel automáticamente cuando finaliza la impresión.



Consulte 5.3 Ajuste manual de los interruptores de memoria

- **Cabezal de impresión (térmico)**
Imprime datos de caracteres y gráficos en papel (rollos de papel).

- Sensor de papel agotado (sensor PE)
Detecta cuando no queda papel. La impresión se detiene cuando este sensor detecta que no hay papel.
- Palanca selectora de grosor del papel (azul)
Utilice esta palanca para seleccionar papel normal o grueso según el grosor del papel que vaya a cargar. (Ajuste de fábrica: 1)



PRECAUCIÓN

No cambie la posición de la palanca selectora de grosor del papel respecto de su ajuste de fábrica.

2.3 Otras funciones integradas

- Zumbador
Suena cuando se produce un error o cuando se realizan operaciones o se dan comandos.



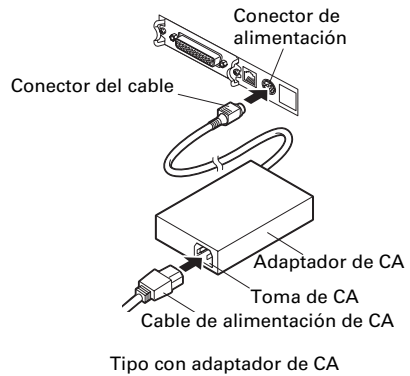
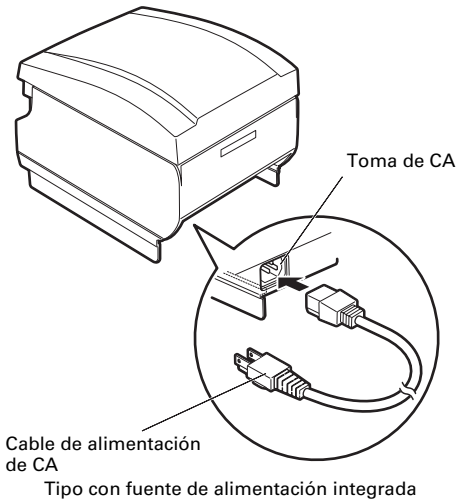
Consulte 4.6 Mensajes de error

- Memoria de usuario
En esta memoria se pueden guardar datos de caracteres o logotipos definidos por el usuario. Dichos datos quedan almacenados en la memoria aunque se apague la impresora. Para obtener información sobre cómo guardar datos, consulte la Referencia de comandos.
- Interruptores de memoria
La configuración de varios tipos de funciones se puede guardar en la memoria. Dicha configuración queda almacenada en la memoria aunque se apague la impresora.

3. SETUP

3.1 Conexión del cable de alimentación de CA

1. Desconecte la alimentación.
2. ● En la impresora del tipo con alimentación integrada, conecte el cable de alimentación de CA a la toma de CA e inserte el enchufe en una toma de corriente eléctrica.
● En la impresora del tipo con adaptador de CA, conecte el conector del cable del adaptador de CA al conector de alimentación. A continuación, conecte el cable de alimentación de CA a la toma de CA e inserte el enchufe a una toma de corriente eléctrica.

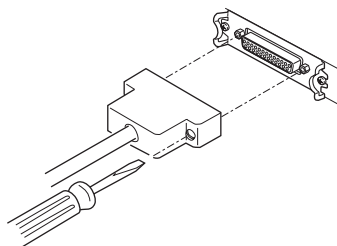


PRECAUCIÓN

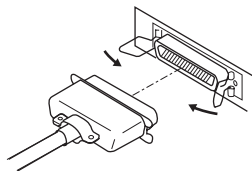
- Utilice exclusivamente un adaptador de CA que cumpla los valores especificados.
- Sujete siempre el conector del cable del adaptador de CA por el conector cuando lo saque o lo inserte.
- Utilice una fuente de alimentación de CA que no alimente a su vez a equipos que generen ruido electromagnético.
- Si tira del cable de alimentación de CA, podría dañarlo, producir un incendio, una descarga eléctrica o la rotura de un hilo del cable.
- Cuando se aproxime una tormenta eléctrica, desenchufe el cable de alimentación de CA de la toma de corriente eléctrica. Un rayo podría ocasionar un incendio o una descarga eléctrica.
- Mantenga el cable de alimentación de CA alejado de los aparatos generadores de calor. El aislamiento del cable de alimentación de CA podría derretirse y ocasionar un incendio o una descarga eléctrica.
- Si no se va a utilizar la impresora durante un periodo prolongado de tiempo, desenchufe el cable de alimentación de CA de la toma de corriente eléctrica.
- Sitúe el cable de alimentación de CA de forma que nadie se tropiece con él.

3.2 Conexión de los cables de interfaz

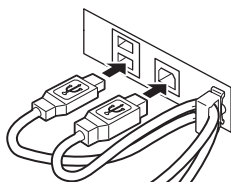
1. **Desconecte la alimentación.**
2. **Oriente cable de interfaz correctamente e insértelo en el conector de interfaz.**



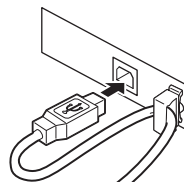
Interfaz serie



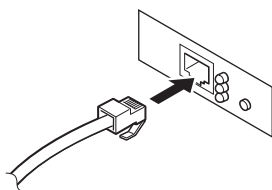
Interfaz paralelo



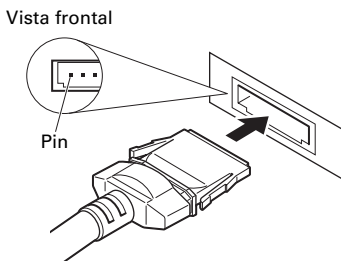
Interfaz USB (tipo con concentrador)



Interfaz USB



Interfaz Ethernet



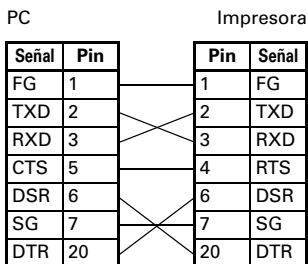
Interfaz Powered USB

PRECAUCIÓN

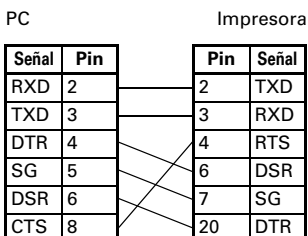
- **Desconecte siempre el adaptador de CA de la impresora antes de conectar la impresora a una interfaz Powered USB. De no hacerlo, el PC al que está conectado podría resultar dañado. Para obtener información sobre cómo instalar una interfaz Powered USB, póngase en contacto con su distribuidor Citizen Systems.**
- Compruebe la orientación del conector del cable Powered USB antes de conectarlo. Insértelo recto procurando que no se doblen los pines. Insértelo hasta que encaje en su sitio.
- Cuando desconecte el cable, sujételo siempre por el conector.
- Tenga cuidado de no insertar el cable de interfaz USB en el conector del cajón portamonedas.
- Para conectar más de una impresora a un sólo ordenador a través de una interfaz USB, debe cambiar el número de serie de la interfaz USB.
- Sujete el conector del cable de interfaz Ethernet en posición recta y perpendicular cuando lo conecte y lo desconecte. Si lo sujeta ladeado, podría producirse un fallo de conexión en el conector.

Utilice un cable de interfaz serie con el siguiente esquema de conexiones.

Cable de 25 pines – 25 pines



Cable de 9 pines – 25 pines

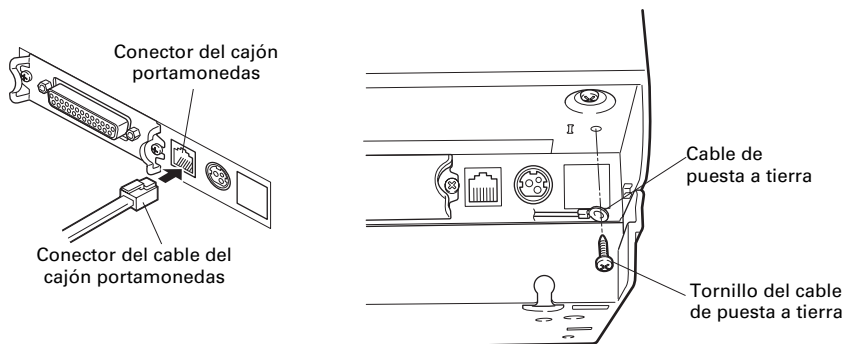


PRECAUCIÓN

Sitúe el cable de interfaz de forma que nadie se tropiece con él.

3.3 Conexión del cajón portamonedas

1. Desconecte la alimentación.
2. Compruebe la orientación del conector del cable del cajón portamonedas y conéctelo al conector del cajón portamonedas en la parte trasera de la impresora.
3. Extraiga el tornillo del cable de puesta a tierra.
4. Atornille el cable de puesta a tierra del cajón portamonedas al cuerpo de la impresora.

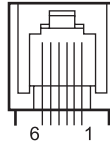


PRECAUCIÓN

- Conecte únicamente el conector del cable del cajón portamonedas al conector del cajón portamonedas. (No conecte un cable de línea telefónica.)
- Las señales no pueden salir por el conector del cajón portamonedas mientras se está imprimiendo.
- Sujete el conector del cable del cajón recto y perpendicular cuando lo conecte y lo desconecte. Si lo sujeta ladeado, podría producirse un fallo de conexión en el conector.

(1) Configuración de contactos del conector

Nº	Señal	Función
1	FG	Tierra del chasis
2	DRAWER1	Señal de activación del cajón portamonedas 1
3	DRSW	Entrada del interruptor del cajón portamonedas
4	VDR	Alimentación de activación del cajón portamonedas
5	DRAWER2	Señal de activación del cajón portamonedas 2
6	GND	Puesta a tierra de señales (puesta a tierra común en circuitos)



Conector utilizado:
TM5RJ3-66 (Hirose) o
equivalente
Conector aplicable:
TM3P-66P (Hirose) o
equivalente

(2) Características eléctricas

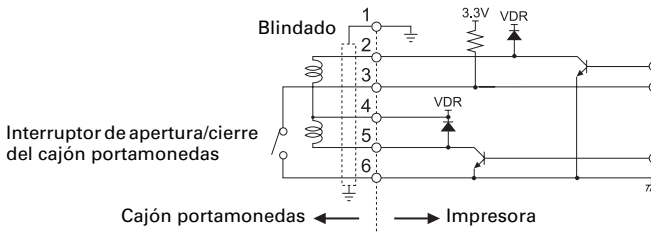
- 1) Tensión de activación: 24 V CC
- 2) Corriente de activación: 1 A máx. aprox. (no más de 510 ms.)
- 3) Señal DRSW: Niveles de señales: "L" = 0 a 0,8 V, "H" = 2 a 3,3 V

(3) Señal DRSW

El estado de la señal DRSW puede ser probado con el comando DLE+EOT, GS+a o GS+r o en el contacto 34 del puerto de interfaz paralelo.

(4) Circuito de activación

Conector del cajón portamonedas

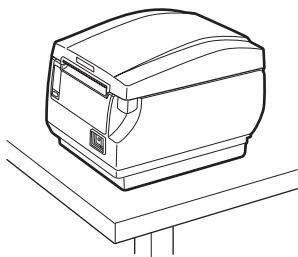


PRECAUCIÓN

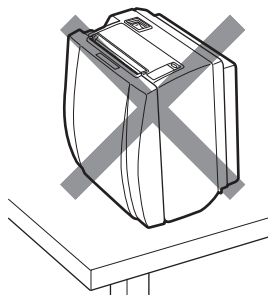
- Los cajones portamonedas 1 y 2 no se pueden al mismo tiempo.
- El solenoide que se utilice para el cajón portamonedas debe ser de 24 Ω o más. La corriente eléctrica no debe ser de más de 1 A. Una corriente excesiva podría dañar o quemar los circuitos.

3.4 Precauciones para la instalación de la impresora

La impresora sólo se puede colocar en posición horizontal. No se puede colocar en posición vertical o colgar de una pared.



Posición horizontal



Posición vertical



PRECAUCIÓN

No utilice la impresora en las siguientes condiciones.

- Lugares inestables o sometidos a vibraciones.
- Lugares muy sucios o polvorientos.
- Lugares en los que la impresora no esté nivelada.
- **La impresora podría caerse o provocar lesiones.**
- **La calidad de impresión podría deteriorarse.**
- Orientada de forma distinta a la especificada.
- **La impresora podría funcionar incorrectamente, resultar dañada u ocasionar una descarga eléctrica.**

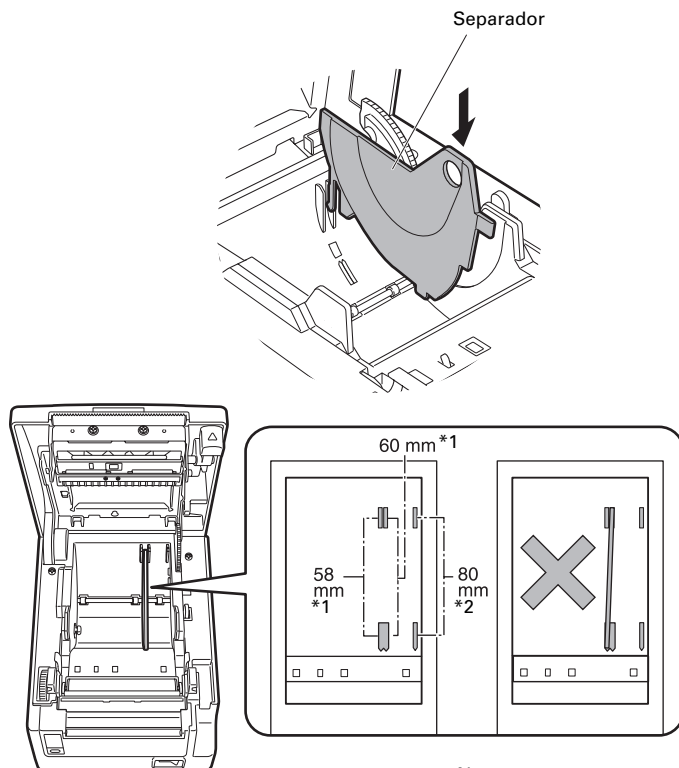
3.5 Separador para rollo de papel

Ajuste el separador al ancho del rollo de papel que vaya a cargar.

El separador viene ajustado de fábrica en la posición siguiente.

- Para tipo de 3 pulgadas: rollo de papel de 80 mm de ancho
- Para tipo de 2 pulgadas: rollo de papel de 58 mm de ancho, rollo de papel de 60 mm de ancho (separador de 2 hojas instalado.)

1. **Desconecte la alimentación.**
2. **Presione el botón de apertura de la tapa para abrir la tapa del papel.**
3. **Haga presión en la posición que indica la flecha y sitúe el separador en la ranura correspondiente al ancho del rollo de papel que vaya a utilizar. No obstante, si va a utilizar un rollo de papel de 83 mm de ancho, retire el separador. O bien, si utiliza un rollo de papel de 60 mm de ancho con el tipo de 2 pulgadas, retire el separador instalado para 58 mm.**
4. **Consulte "5.3 Ajuste manual de los interruptores de memoria" para modificar los ajustes de anchura de papel.**



Notas:

*1: Tipo de 2 pulgadas (58/60 mm)

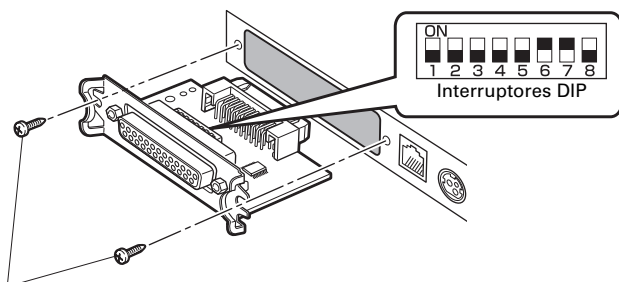
*2: Tipo de 3 pulgadas (80/83 mm)

PRECAUCIÓN

Asegúrese de que el separador no está torcido cuando lo ajuste para rodillos de papel de 58 mm y 60 mm.

3.6 Ajuste de los interruptores DIP en la placa de interfaz serie

1. Apague la impresora y desenchufe el cable de alimentación de la toma de corriente eléctrica.
2. Retire los tornillos de fijación placa de interfaz serie.
3. Extraiga la placa de interfaz serie de la impresora.
4. Ajuste los interruptores DIP con arreglo a la tabla siguiente.



Tornillos de fijación de la placa de interfaz serie

PRECAUCIÓN

Cuando ajuste los interruptores DIP, no retire ningún otro tornillo salvo los tornillos de fijación de la placa de interfaz serie.

A continuación se muestra la función de cada interruptor. (Los valores sombreados son ajustes de fábrica. No obstante, los ajustes de fábrica varían según el mercado de destino.)

Nº de interruptor	Función	ON	OFF
1	Ajuste de los parámetros de comunicación	Según la configuración de los interruptores DIP	Según la configuración de los interruptores de memoria
2	Establecimiento de conexión	XON/XOFF	DTR/DSR
3	Longitud de bits	7 bits	8 bits
4	Verificación de paridad	Sí	No
5	Selección de paridad	Par	Impar
6	Selección de velocidad de transmisión en baudios	Consultar la tabla siguiente.	
7			
8	INIT	Inicialización	No válido

Selección de velocidad de transmisión en baudios

Velocidad de transmisión en baudios (bps)	N° de interruptor	
	6	7
2400	OFF	OFF
4800	ON	OFF
9600	OFF	ON
19200	ON	ON

Cuando el interruptor N° 1 está ajustado en OFF, puede utilizar un comando o un interruptor de memoria para seleccionar 1200, 38400, 57600 ó 115200 bps.

3.7 Ajuste del sensor de papel casi agotado

Modifique la configuración del sensor de papel casi agotado para ajustar la posición en la que se detectará que se está agotando el papel.

1. Utilice un objeto puntiagudo, como un bolígrafo, para presionar suavemente el botón y cambiar el sensor de papel casi agotado.
2. Pulse prolongadamente el botón mientras mueve el sensor de papel casi agotado hacia arriba y hacia abajo. A continuación se muestran las posiciones del sensor según el diámetro del rollo de papel utilizado.

(Unidad: mm)

Posición del sensor	Diámetro exterior con el que se detecta que el papel está casi agotado	Diámetro exterior/interior del tubo del rollo de papel utilizado
A	$\phi 31$ aproximadamente	$\phi 18/\phi 12$
B*	$\phi 23$ aproximadamente	$\phi 18/\phi 12$
C	La función de sensor de papel casi agotado está desactivada	

Nota:

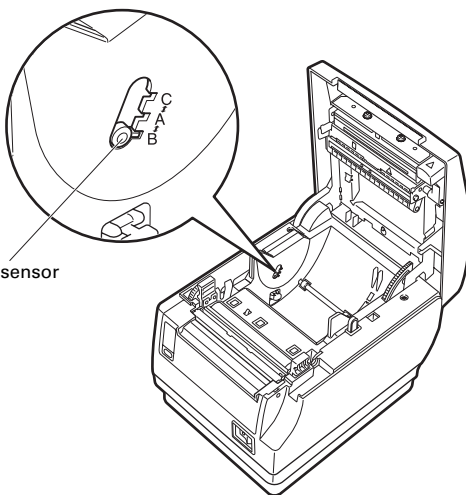
*: Posición del sensor al salir de fábrica. No obstante, los ajustes de fábrica varían según el mercado de destino.



PRECAUCIÓN

El diámetro del rollo de papel detectado es estimativo. Pueden haber algunas variaciones según el papel.

Botón para cambiar el sensor de papel casi agotado

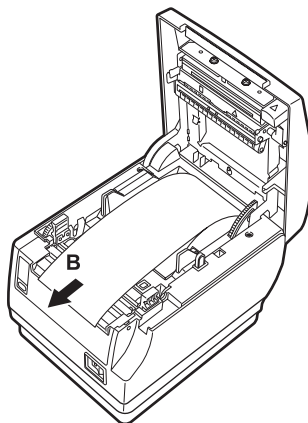
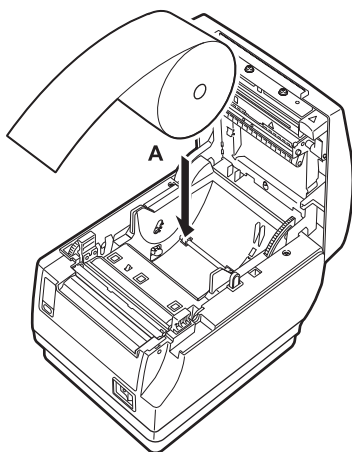
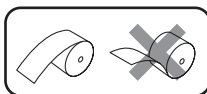


3.8 Carga del papel

1. Conecte la alimentación.
2. Presione el botón de apertura de la tapa para abrir la tapa del papel.
3. Cargue el rollo de papel con la cara de impresión hacia arriba, como indica la flecha A.
4. Saque unos centímetros de papel hacia fuera siguiendo la dirección de la flecha B.
5. Cierre la tapa del papel hasta que encaje en su sitio. El papel se alimenta y se corta automáticamente (según la configuración de fábrica).



Consulte 5.3 Ajuste manual de los interruptores de memoria



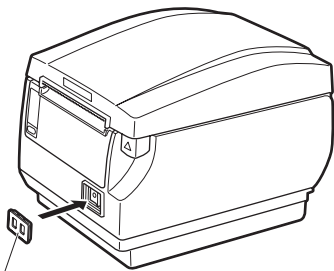
PRECAUCIÓN

- Utilice siempre los tipos de rollo de papel especificados.
- Compruebe que el rollo de papel está colocado correctamente.
- Si el papel está torcido y no sale recto por la tapa del papel, abra la tapa y enderece el papel.
- Saque unos centímetros de papel afuera de la impresora cuando abra la tapa del papel con papel cargado.
- Haga presión sobre el centro de la tapa del papel para cerrarla de forma segura.
- Tenga cuidado para no cortarse con el papel mientras lo carga.
- No toque el cabezal de impresión, la cizalla manual o la cizalla automática cuando la tapa del papel esté abierta. De hacerlo, podría sufrir quemaduras o cortes.

3.9 Colocación de la tapa del interruptor de alimentación

Coloque esta tapa para impedir el uso del interruptor de alimentación.

1. **Presione la tapa del interruptor de alimentación hasta encajarla completamente en el compartimento del interruptor de alimentación.**



Tapa del interruptor de alimentación

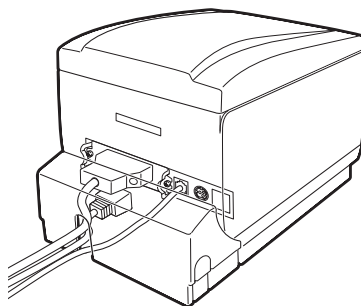
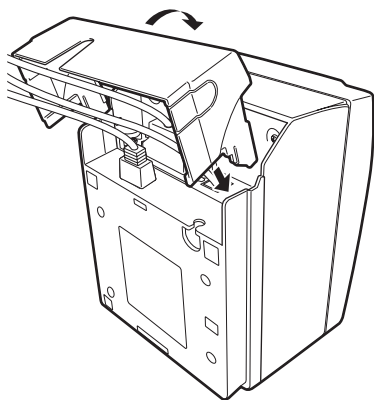
Inserte un destornillador u otro objeto puntiagudo en las ranuras de la tapa del interruptor de alimentación para extraerla.

3.10 Colocación de la tapa de conexiones

Coloque la tapa de conexiones en la parte trasera de la impresora.

La forma de la tapa de conexiones varía según el tipo de fuente de alimentación.

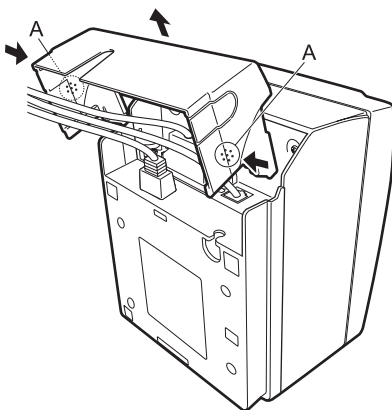
1. **Presione la tapa de conexiones como se indica en el diagrama hasta que oiga un chasquido.**



CT-S651S

3.11 Extracción de la tapa de conexiones

Presione simultáneamente en el punto A a ambos lados para retirar la tapa de conexiones.



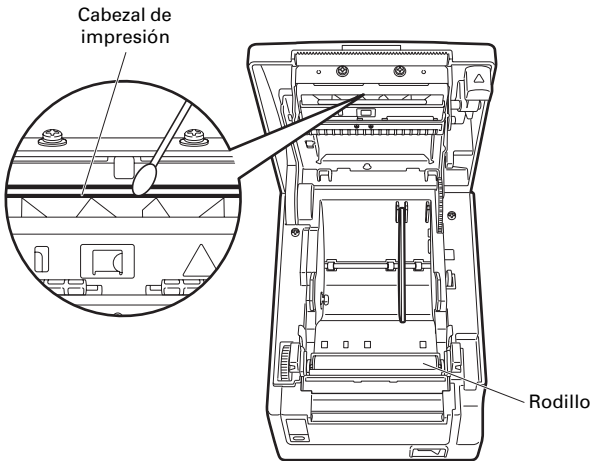
CT-S651S

4. MANTENIMIENTO Y LOCALIZACION DE AVERIAS

4.1 Limpieza periódica

Un cabezal de impresión o rodillo sucio puede reducir la calidad de impresión u ocasionar fallos de funcionamiento. Recomendamos limpiar la impresora de forma regular (cada 2 ó 3 meses) como se indica a continuación.

1. **Desconecte la alimentación.**
2. **Presione el botón de apertura de la tapa para abrir la tapa del papel.**
3. **Espere unos minutos hasta que se haya enfriado el cabezal de impresión.**
4. **Utilice un bastón de algodón humedecido en alcohol etílico para limpiar la suciedad y el polvo que pueda haberse acumulado en el cabezal de impresión o en el rodillo.**

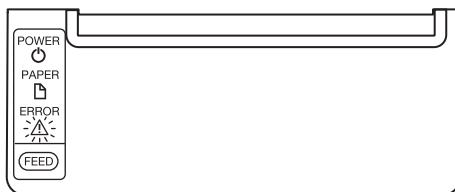


PRECAUCIÓN

- El cabezal de impresión está caliente justamente después de imprimir. No lo toque.
- No toque el cabezal de impresión con las manos desnudas o con un objeto metálico.

4.2 Desbloqueo de la cizalla (1)

El piloto ERROR LED parpadea y la cuchilla de la cizalla automática permanece en posición extendida porque hay un objeto extraño o un atasco de papel que la obstruye.



Si el piloto ERROR LED parpadea, desbloquee la cizalla como se indica a continuación.

1. **Conecte la alimentación.**
2. **Presione el botón de apertura de la tapa para abrir la tapa del papel.**
3. **Retire el papel atascado incluido cualquier residuo del mismo. (Retire también el rollo de papel que haya en el portarrollo.)**
4. **Vuelva a colocar el rollo de papel y cierre la tapa del papel.**



PRECAUCIÓN

- El cabezal de impresión está caliente justamente después de imprimir. No lo toque.
- No toque el cabezal de impresión con las manos desnudas o con un objeto metálico.

Si, una vez realizado el procedimiento indicado en “Desbloqueo de la cizalla (1)” y posteriormente abierta la tapa del papel, la cuchilla de la cizalla automática está extendida, realice el procedimiento que se indica en “Desbloqueo de la cizalla (2)”.



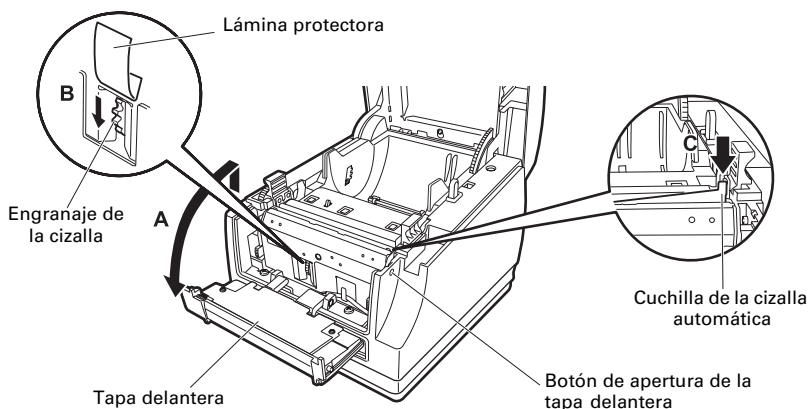
Consulte 4.3 Desbloqueo de la cizalla (2)

4.3 Desbloqueo de la cizalla (2)

La tapa del papel ha sido diseñada para abrirse presionando el botón de apertura de la tapa en caso de bloqueo de la cizalla. Si la cuchilla de la cizalla automática está extendida, siga el procedimiento que se indica a continuación para desbloquear la cizalla.

1. **Apague la impresora y desenchufe el cable de alimentación de la toma de corriente eléctrica.**
 2. **Presione el botón de apertura de la tapa para abrir la tapa del papel.**
 3. **Mientras presiona el botón de apertura de la tapa delantera con un bolígrafo u otro objeto, desplace la tapa delantera unos 10 mm hacia arriba.**
 4. **Gire la tapa delantera hacia delante en la dirección de la flecha A.**
 5. **Levante la lámina protectora y gire el engranaje de la cizalla en la dirección de la flecha B para retornar la cizalla automática a una posición que permita abrir la tapa del papel.**
- Gire el engranaje de la cizalla hasta que la cuchilla de la cizalla automática se retraiga en la dirección de la flecha C. Si la cuchilla de la cizalla automática no se mueve al girar el engranaje de la cizalla en la dirección de la flecha B, gírelo en la dirección contraria.
6. **Retire el objeto que haya ocasionado el bloqueo de la cizalla.**
 7. **Cierre la tapa delantera.**
- Gire la tapa delantera en dirección contraria a la flecha A y presione sobre parte superior hasta que encaje en su sitio.
8. **Coloque un rollo de papel y cierre la tapa del papel.**
 9. **Inserte el enchufe del cable de alimentación en una toma de corriente eléctrica y encienda la impresora.**

Compruebe que el piloto POWER LED se ilumina.

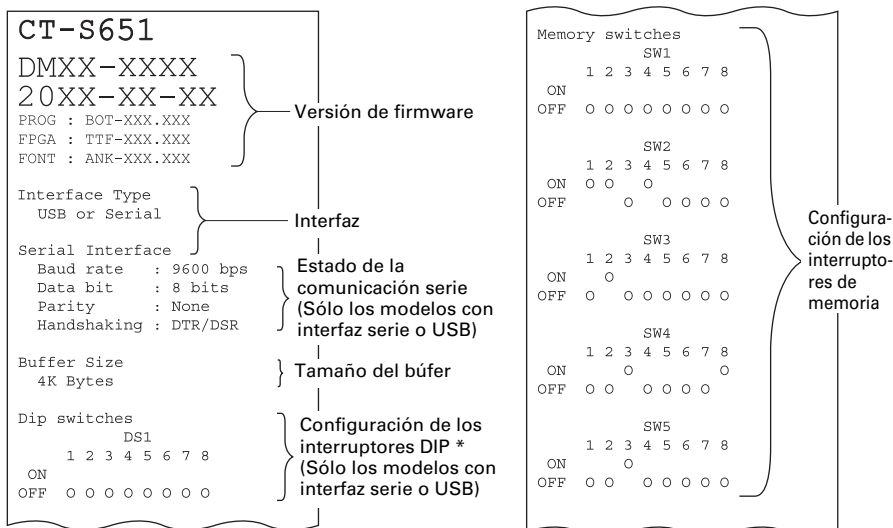


PRECAUCIÓN

- Antes de empezar a realizar las tareas de mantenimiento, apague la impresora y desenchufe el cable de alimentación de la toma de corriente eléctrica.
- Tenga cuidado para no tocar la cizalla manual mientras la tapa delantera está abierta.
- Tenga cuidado para no tocar la abertura de la cizalla automática mientras la tapa del papel está abierta.
- El cabezal de impresión está caliente justamente después de imprimir. No lo toque.
- No toque el cabezal de impresión con las manos desnudas o con un objeto metálico.
- Si el procedimiento anterior no retrae la cizalla automática, póngase en contacto con su distribuidor Citizen Systems.

4.4 Autotest

Con papel cargado, pulse prolongadamente el botón FEED mientras enciende la impresora. Mantenga pulsado el botón FEED durante un segundo y suéltelo para iniciar el autotest. La impresora imprime el nombre de modelo, la versión, la configuración de los interruptores DIP, la configuración de los interruptores de memoria y la lista de fuentes incorporadas.



Nota:

*: Las impresoras con interfaz USB no disponen de interruptores DIP; por tanto, dichos interruptores DIP aparecerán desactivados del informe impreso del autotest.

4.5 Impresión de volcado hexadecimal

Los datos recibidos se imprimen en hexadecimal. Si se produjeran problemas como la pérdida o la duplicación de datos, etc., con esta función podrá verificar si la impresora está recibiendo los datos correctamente.

Cómo realizar la impresión de volcado hexadecimal

1. Coloque el papel.
2. Con la tapa del papel abierta, pulse prolongadamente el botón FEED mientras enciende la impresora y, a continuación, cierre la tapa del papel.
3. La impresora imprime "HEX dump print mode" seguido de los datos recibidos impresos en números hexadecimales y algunos caracteres.

Cómo detener la impresión de volcado hexadecimal

Siga uno de estos pasos para detener la impresión.

- Pulse el botón FEED tres veces seguidas.
- Desconecte la alimentación.
- Reciba un comando de inicialización a través de una interfaz.



PRECAUCIÓN

- La impresora imprime "." si no existen caracteres correspondientes a los datos.
- Durante la impresión de volcado hexadecimal no funciona ningún comando.
- Si los datos de impresión no ocupan una línea completa, pulse el botón 1 (FEED) para hacer avanzar el papel.

Ejemplo de impresión
HEX dump print mode

```
61 62 63 64 65 66 67 0A 0D 0D 0D 0D abcdefg.....  
0D 0D 0D                                     .....
```

4.6 Mensajes de error

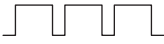






- **Papel agotado**
El final del rollo de papel se detecta en dos etapas, papel casi agotado y papel agotado.
Cuando se detecta que el papel está casi agotado, se ilumina el piloto PAPER LED. Prepare un rollo de papel nuevo.
Cuando se detecta que se ha agotado el papel, se iluminan los pilotos PAPER LED y ERROR LED. Coloque un rollo de papel nuevo.
- **Tapa del papel abierta**
No abra la tapa del papel mientras se está imprimiendo. Si abre la tapa del papel, el piloto ERROR LED se ilumina o parpadea. Compruebe el papel y saque siempre unos centímetros de papel hacia fuera de la impresora antes de cerrar la tapa del papel. La impresión se reanuda. Puede que sea necesario enviar un comando para reanudar la impresión según la configuración de los interruptores de memoria.
- **Cizalla bloqueada**
Si la cizalla automática no se puede mover debido a un atasco de papel o a otro motivo, el piloto ERROR LED parpadea. Elimine la causa del problema y pulse el botón FEED. Si la cizalla automática sigue sin funcionar y la tapa del papel no se abre, consulte "4.3 Desbloqueo de la cizalla (2)".



Consulte 4.3 Desbloqueo de la cizalla (2)

- **Error del cabezal de impresión**
Cuando se imprimen caracteres densos, imágenes oscuras o durante mucho tiempo en un ambiente caluroso, la temperatura del cabezal de impresión aumenta. Si el cabezal de impresión sobrepasa una temperatura especificada, la impresora deja de imprimir y espera hasta que se enfríe el cabezal de impresión. Cuando esto sucede, el piloto ERROR LED parpadea. La impresión se reanuda automáticamente cuando se haya enfriado el cabezal de impresión.

A continuación se muestra la pantalla de estado de distintos errores.

Estado	POWER LED (verde)	PAPER LED (naranja)	ERROR LED (rojo)	Zumbador *3
Papel casi agotado	Se ilumina	Se ilumina	—	—
Papel agotado	Se ilumina	Se ilumina	Se ilumina	Sí
Tapa del papel abierta o tapa delantera abierta *1	Se ilumina	—	Se ilumina	Sí
Tapa del papel abierta o tapa delantera abierta *2	Se ilumina	—		Sí
Cizalla bloqueada	Se ilumina	—		Sí
Error de la memoria	—	—		Sí
Error del cabezal de impresión	Se ilumina	—		Sí
Error de tensión baja	Se ilumina	—		Sí
Error de tensión alta	Se ilumina	—		Sí
Esperando ejecución de macro	Se ilumina	—		—

Notas:

*1: Si la tapa del papel o la tapa delantera está abierta en espera.

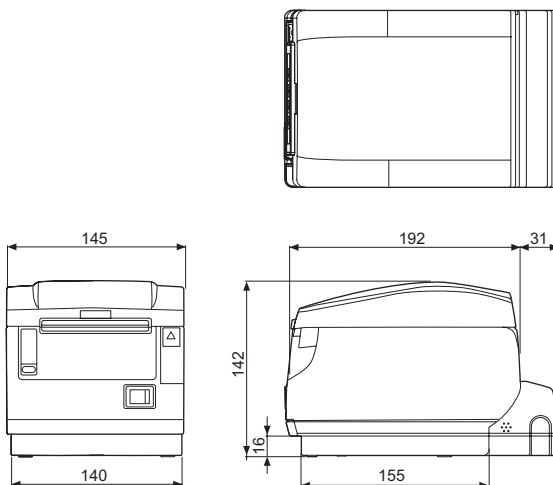
*2: Si la tapa del papel o la tapa delantera está abierta al imprimir o introducir el papel.

*3: El zumbador suena cuando MSW5-1 (ajuste del zumbador) está ajustado en ON.

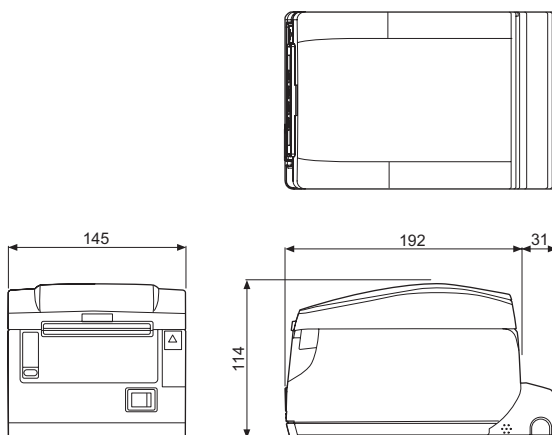
5. OTROS

5.1 Vistas externas y dimensiones

(Unidad: mm)



Tipo con fuente de alimentación integrada



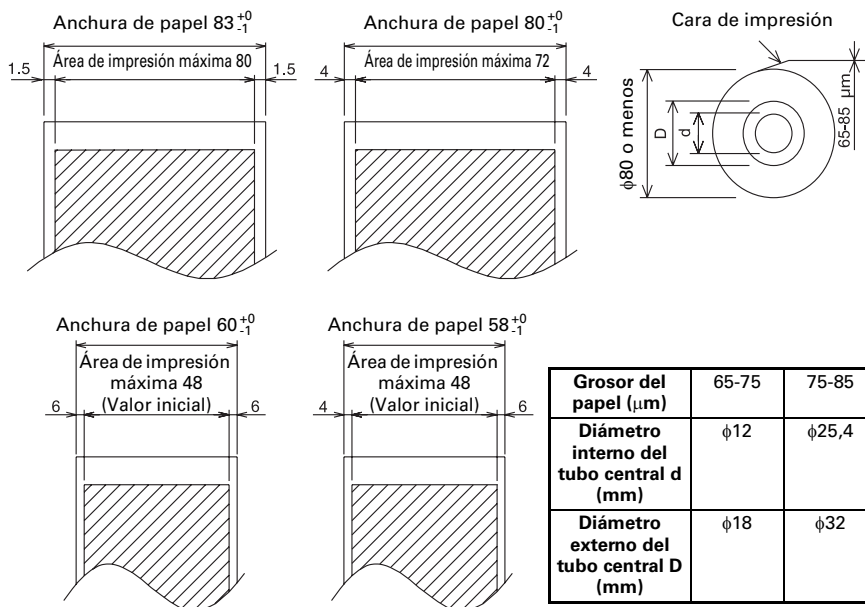
Tipo con adaptador de CA

5.2 Papel de Impresión

Utilice el papel que se muestra en la tabla siguiente o papel de calidad equivalente.

Tipo de papel	Nombre del producto
Papel térmico en rollo recomendado	TF50KS-E2D, TF50KS-E o TF60KS-E de Nippon Paper PD150R o PD160R de Ohji Paper PA220AG, HP220A, HP220AB-1, F230AA, P220AB o PB670 (papel bicolor) de Mitsubishi Paper

(Unidad: mm)



PRECAUCIÓN

Utilice papel térmico que haya sido enrollado de la siguiente forma:

- Sin arrugar, apretado firmemente al tubo central.
- Sin doblar.
- Sin pegar al tubo central.
- Enrollado con la cara de impresión hacia fuera.

5.3 Ajuste manual de los interruptores de memoria

Los interruptores de memoria se utilizan para configurar distintos parámetros de la impresora. Los interruptores de memoria se pueden configurar manualmente (con la mano directamente en la impresora) o mediante comandos. En esta sección se explica cómo realizar la configuración manual. Para obtener información sobre cómo configurar los interruptores de memoria mediante comandos, consulte la Referencia de comandos.

Modo de configuración rápida

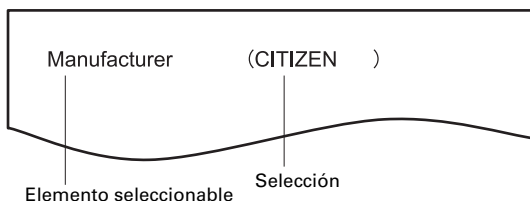
Los ajustes de los interruptores de memoria correspondientes al fabricante de una impresora de sustitución, el modelo, el ancho de papel y la separación entre caracteres se pueden configurar a la vez en sus valores óptimos.

Configure los ajustes mientras confirma los elementos seleccionados en el informe impreso.

1. **Coloque el papel.**
2. **Con la tapa del papel abierta, pulse prolongadamente el botón FEED mientras enciende la impresora.**
3. **Pulse el botón FEED tres veces y cierre la tapa del papel.**

La impresora entra en el modo de configuración rápida de los interruptores de memoria.

Se imprime el elemento seleccionable "Manufacturer" y la selección.



4. **Pulse el botón FEED.**
Cada vez que se pulsa el botón FEED, se imprime una selección en orden a lo largo del ciclo.
Pulse el botón FEED hasta que se imprima la selección deseada.
5. **Pulse el botón FEED durante al menos dos segundos.**
La selección queda ajustada.
Si existe otro elemento seleccionable, éste y la selección se imprimen.
6. **Repita los pasos 4 y 5 para seleccionar y ajustar el modelo de la impresora, el ancho de papel, la separación entre caracteres (sólo EPSON T88).**
Una vez ajustados todos los elementos, se imprime "Save To Memory".
7. **Pulse el botón FEED durante al menos dos segundos.**
Se guardan los ajustes modificados de los interruptores de memoria y se imprime una lista de dichos ajustes.
Una vez finalizada la impresión, la impresora sale del modo de configuración rápida.

Elemento seleccionado

Manufacturer	Model	Paper width	Character space
CITIZEN	CBM1000	58 mm	—
		80 mm	—
	CT-S300	58 mm	—
		80 mm	—
	CT-S2000	58 mm	—
		60 mm	—
		80 mm	—
83 mm		—	
EPSON	T88	58 mm	0dot
			1dot
		80 mm	0dot
			1dot
	203dpi	58 mm	—
		60 mm	—
80 mm		—	

Configuración automática de los interruptores de memoria

MSW2-4 Full Col Print	MSW3-7 CBM1000 Mode	MSW8-1 Print Width	MSW6-2 Character Space
LineFeed	Valid	432dots	—
LineFeed	Valid	576dots	—
WaitData	Invalid	384dots	—
WaitData	Invalid	576dots	—
LineFeed	Valid	432dots	—
LineFeed	Valid	436dots	—
LineFeed	Valid	576dots	—
LineFeed	Valid	640dots	—
WaitData	Invalid	360dots	0dot
WaitData	Invalid	390dots	1dot
WaitData	Invalid	512dots	0dot
WaitData	Invalid	546dots	1dot
WaitData	Invalid	420dots	—
WaitData	Invalid	436dots	—
WaitData	Invalid	576dots	—

Modo de configuración individual

Ajuste los interruptores de memoria uno a uno.

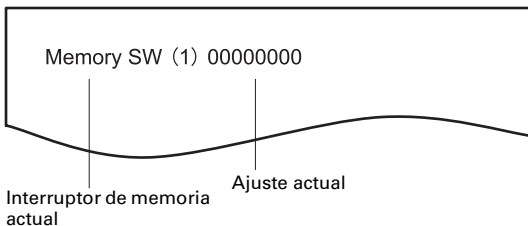
Configure los ajustes mientras confirma la función del interruptor de memoria y los ajustes del informe impreso.

1. Coloque el papel.
2. Con la tapa del papel abierta, pulse prolongadamente el botón FEED mientras enciende la impresora.
3. Pulse el botón FEED dos veces y cierre la tapa del papel.

La impresora entra en el modo de configuración individual de los interruptores de memoria.

La impresora imprime "Memory SW (1)" y el ajuste actual, 0 (off) o 1 (on).

(La configuración actual de los interruptores 7 al 10 no se imprime.)



4. Pulse el botón FEED.

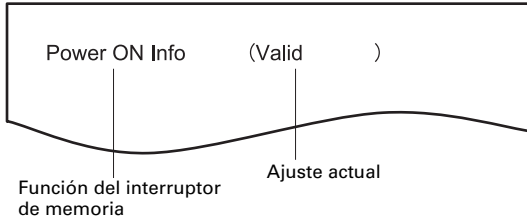
La lista de interruptores de memoria va pasando en orden de "Memory SW (1)" → "Memory SW (2)" → ... "Memory SW (10)" → "Save To Memory" → "Memory SW (1)" → cada vez que se pulsa el botón FEED.

Pulse el botón FEED hasta que se imprima el número del interruptor de memoria que desee modificar.

5. Pulse el botón FEED durante al menos dos segundos.

Cada vez que se pulsa el botón FEED durante al menos dos segundos, se imprime un ajuste del interruptor de memoria a lo largo del ciclo.

Pulse el botón FEED durante al menos dos segundos para avanzar por la lista hasta que se imprima la función del interruptor de memoria que desee modificar.



6. Pulse el botón FEED.

Cada vez que se pulsa el botón FEED en orden a lo largo del ciclo, se imprime un ajuste.

Cuando se imprime la configuración actual, el piloto ERROR LED se ilumina.

Pulse el botón FEED hasta que se imprima el ajuste deseado.

7. Pulse el botón FEED durante al menos dos segundos.

Los ajustes seleccionados quedan ajustados.

Se imprimen los ajustes y la función del interruptor de memoria siguiente.

8. Repita los pasos 5 al 7 para modificar diversas funciones del número de interruptor de memoria actual.

9. Abra la tapa del papel y ciérrela.

Se imprimen los ajustes modificados del interruptor de memoria.

10. Repita los pasos 4 al 9 para modificar las funciones de otro número de interruptor de memoria.

11. Pulse el botón FEED hasta que se imprima "Save To Memory".

12. Pulse el botón FEED durante al menos dos segundos.

Se guardan los ajustes modificados de los interruptores de memoria y se imprime una lista de dichos ajustes.

Una vez finalizada la impresión, la impresora sale del modo de configuración individual.

Inicialización de los interruptores de memoria

Recupere la configuración de fábrica de todos los interruptores de memoria.

1. Realice los pasos 1 al 3 del procedimiento para entrar en el modo de configuración individual.

2. Pulse el botón FEED hasta que se imprima "Save To Memory".

3. Abra la tapa del papel.

4. Pulse el botón FEED durante al menos dos segundos.

Todos los interruptores de memoria recuperan su configuración de fábrica.

5. Cierre la tapa del papel.

En la siguiente tabla se muestra la función de cada interruptor de memoria. (Los valores sombreados son ajustes de fábrica.)

Nº de interruptor	Función	OFF	ON
MSW1-1	Power ON Info	Valid	Not Send
MSW1-2	Buffer Size	4K bytes	45 bytes
MSW1-3	Busy Condition	Full/Err	Full
MSW1-4	Receive Error	Print“?”	No Print
MSW1-5	CR Mode	Ignored	LF
MSW1-6	Reserved	Fixed	—
MSW1-7	DSR Signal	Invalid	Valid
MSW1-8	Init Signal	Invalid	Valid
MSW2-1	Reserved	—	Fixed
MSW2-2	Auto Cutter	Invalid	Valid
*1 MSW2-3	Spool Print	Invalid	Valid
MSW2-4	Full Col Print	LineFeed	WaitData
MSW2-5	Resume aft PE	Next	Top
MSW2-6	Reserved	Fixed	—
MSW2-7	Reserved	Fixed	—
MSW2-8	PNE Sensor	Valid	Invalid
MSW3-1	Resume Ctrr Err	Valid	Invalid
MSW3-2	PE signal by PNE	Valid	Invalid
MSW3-3	Parallel 31 Pin	Valid	Invalid
MSW3-4	Reserved	Fixed	—
MSW3-5	Reserved	Fixed	—
MSW3-6	Reserved	Fixed	—
MSW3-7	CBM1000 Mode	Invalid	Valid
MSW3-8	Resume Open Err	Close	Command
MSW4-1	Reserved	Fixed	—
MSW4-2	Reserved	Fixed	—
MSW4-3	Feed&Cut at TOF	Invalid	Valid
MSW4-4	Reserved	Fixed	—
MSW4-5	Reserved	Fixed	—
MSW4-6	Reserved	Fixed	—
MSW4-7	Reserved	Fixed	—
MSW4-8	Partial Only	Invalid	Valid
MSW5-1	Buzzer	Valid	Invalid
MSW5-2	Line Pitch	1/360	1/406
MSW5-3	USB Mode	Virtual COM	Printer Class
MSW5-4	Reserved	Fixed	—
MSW5-5	Reserved	Fixed	—
MSW5-6	Reserved	Fixed	—
MSW5-7	Reserved	Fixed	—
MSW5-8	Reserved	Fixed	—

Nº de interruptor	Función	OFF	ON
MSW6-1	Act. For Driver	Invalid	Valid
MSW6-2	Character Space	Invalid	Valid
MSW6-3	Reserved	Fixed	—
MSW6-4	Reserved	Fixed	—
MSW6-5	Reserved	Fixed	—
MSW6-6	Reserved	Fixed	—
MSW6-7	Reserved	Fixed	—
MSW6-8	Reserved	Fixed	—

Nº de interruptor	Función	Valor inicial	Valor de configuración
*2 MSW7-1	Baud Rate	9600 bps	1200 bps, 2400 bps, 4800 bps, 9600 bps, 19200 bps, 38400 bps, 57600 bps, 115200 bps
*2 MSW7-2	Data Length	8bits	7bits, 8bits
*2 MSW7-3	Stop Bit	1bit	1bit, 2bits
*2 MSW7-4	Parity	NONE	NONE, EVEN, ODD
*2 MSW7-5	Flow Control	DTR/DSR	DTR/DSR, XON/XOFF
*2 MSW7-6	DMA Control	Valid	Valid, Invalid
*2 MSW7-7	VCom Protocol	PC Setting	PC Setting, DTR/DSR, XON/XOFF
MSW8-1	Print Width	576dots (Tipo de 3 pulgadas) 384dots (Tipo de 2 pulgadas)	640dots, 576dots, 512dots, 436dots, 432dots, 420dots, 384dots, 360dots, 390dots, 546dots, 390dots, 546dots
MSW8-2	Paper Type	1 Color Normal	1 Color Normal, 2 Color Normal
*3 MSW8-3	Top Margin	11mm	3mm, 4mm, 5mm, 6mm, 7mm, 8mm, 9mm, 10mm, 11mm
*3 MSW8-4	Line Gap Reduce	Invalid	Invalid, 3/4, 2/3, 1/2, 1/3, 1/4, 1/5, ALL
*4 MSW8-7	Liner Free Mode	Invalid	Invalid, 1h, 6h, 12h, 18h, 24h, 5m, 10m, 15m, 20m, 30m
MSW9-1	Code Page	PC 437	PC 437, Katakana, PC 850,858, PC 860, PC 863, PC 865, PC 852, PC 866, PC 857, WPC1252, Space page, PC 864, Thai Code 18
MSW9-2	Int'Char Set	USA	USA, France, Germany, England, Denmark, Sweden, Italy, Spain, Japan, Norway, Denmark 2, Spain 2, Latin America, Korea, Croatia, China
MSW9-3	Kanji	OFF	ON, OFF
MSW9-4	JIS/Shift JIS	JIS	JIS, Shift JIS
MSW10-1	Print Density	100 %	70 %, 75 %, 80 %, 85 %, 90 %, 95 %, 100 %, 105 %, 110 %, 115 %, 120 %, 125 %, 130 %, 135 %, 140 %
MSW10-2	Print Speed	Level 9	Level 1, Level 2, Level 3, Level 4, Level 5, Level 6, Level 7, Level 8, Level 9
MSW10-3	ACK Timing	Before Busy	Before Busy, Same Period, After Busy
*4 MSW10-4	Emulation Type	ESC/POS	ESC/POS, CBM1, CBM2
MSW10-5	Reserved		
MSW10-6	Buzzer Sound	Tone 2	Tone 1, Tone 2, Tone 3, Tone 4

Notas:

- *1: Si los datos de impresión son muy densos, el cabezal de impresión está caliente, la transmisión de datos es lenta u otras circunstancias, el motor y la impresión podrían detenerse ocasionalmente, dando lugar a la aparición de bandas blancas en la impresión. Para imprimir datos de alta densidad, ajuste los MSW2-3 (Spool Print) en ON para reducir la aparición de bandas aunque ello aumente el tiempo de inicio de la impresión.
Con una interfaz serie, incremente la velocidad de transmisión para impedir que el motor se pare.
- *2: Los valores de los interruptores de memoria MSW7-X sólo tienen efecto cuando el interruptor DIP N° 1 está ajustado en OFF.
- *3: Activada para la versión de firmware Dxxx-2500 y posteriores.
- *4: Activada para la versión de firmware Dxxx-2300 y posteriores.

CITIZEN SYSTEMS JAPAN CO., LTD.

6-1-12, Tanashi-cho, Nishi-Tokyo-shi Tokyo, 188-8511, Japan

Tel: +81 (0) 42 468 4993 Fax: +81 (0) 42 468 4687

<http://www.citizen-systems.co.jp>

TZ74949-10F
A35239E-1804
April 2018