

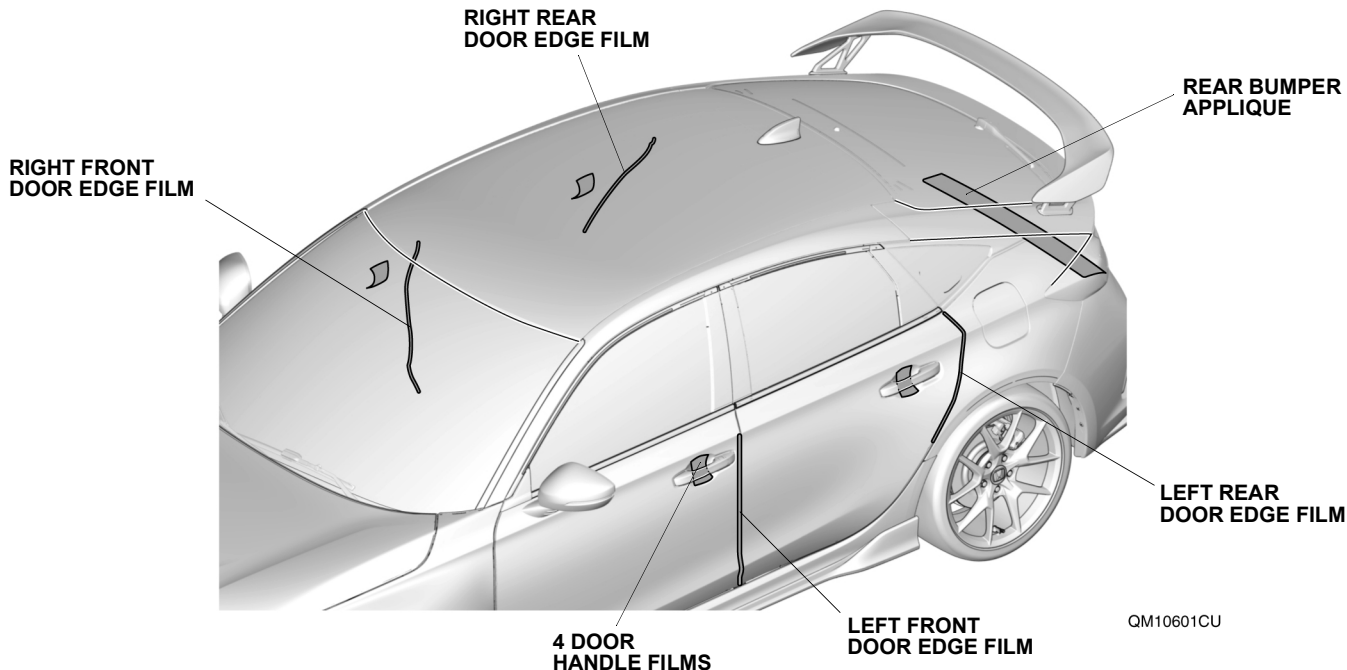
# Germain Honda of College Hills



## INSTALLATION INSTRUCTIONS

<p>Accessory</p> <p><b>PROTECTION FILM</b></p>	<p>Application</p> <p><b>2023 CIVIC TYPE R MODEL SERIES</b></p>	<p>Publications No.</p> <p><b>VERSION 1</b></p>
		<p>Issue Date</p> <p><b>OCT 2022</b></p>

### GENERAL VIEW









### FOR YOUR SAFETY (Read carefully.)

#### Warning Symbols

Safety: Your safety, and the safety of others, is important. To help you make informed decisions about service procedures, we have provided safety messages where appropriate. Of course, it is not practical or possible to warn you about all the hazards associated with servicing a vehicle - you must use your own good judgment.

You will find important safety messages preceded by one of the following symbols:

\*All symbols are not used in all installation instructions.

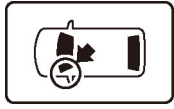
- 
**DANGER** You will be killed or seriously hurt if you do not follow the instructions.
- 
**WARNING** You can be killed or seriously hurt if you do not follow the instructions.
- 
**CAUTION** You can be hurt if you do not follow the instructions.
- 
**NOTICE** Gives advice to prevent damage to the product, vehicle, the environment or other property.
- 
**NOTE** Gives helpful information or instructions to be followed when installing this product.
- 
 Indicates a prohibited action.

# Germain Honda of College Hills

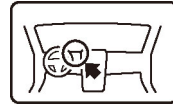
## Procedure and Location Icons

These icons indicate the work location and the worker's point of view.

\*All icons are not used in all installation instructions.



The location on the vehicle.



The location in the vehicle.  
(Instrument panel.)



Wear eye protection.



Wear heavy gloves.



Use an assistant.



Place the part on a blanket.



Work perpendicular.



Remove any burrs.



Use touch-up paint and allow to dry.



Tighten to the specified torque.



Apply firm pressure while rolling, especially at the ends, to set the adhesive.



Press firmly.



Clean with isopropyl alcohol.



Return the original part to the customer.  
(Do not reuse.)

## Safety: General

- Be careful not to damage the vehicle or the parts.
- The illustrations may differ slightly from the actual accessory.

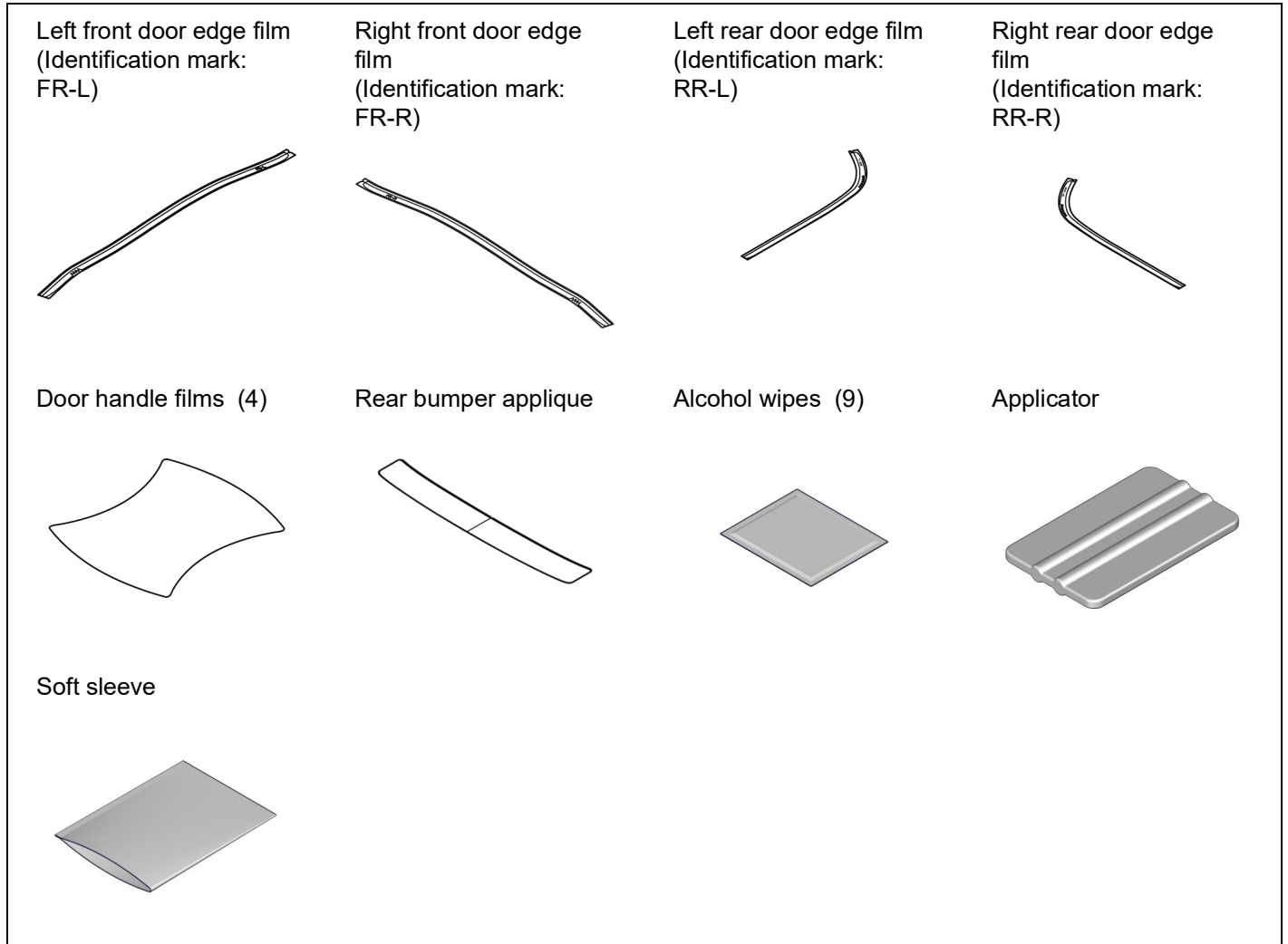
## Safety: Accessory

- Always use the parts and tools specified in the installation instructions.
- Do not install the accessory on a dirty surface or in direct sunlight.
- Make sure the ambient air temperature is 60°F (15°C) or above when installing accessories that use adhesive material.
- When applying adhesive material, make sure it is lined up properly before attaching. Once the adhesive material touches the surface, do not try to remove it. If you do, you could damage the part.
- Cover nearby parts with a shop towel to prevent getting them wet.
- Always wear gloves when working with 3M Protective tape application solution.
- Use 3M protective tape application solution with a spray bottle.
- Do not wash the vehicle for 24 hours to allow the adhesive to cure.

# Germain Honda of College Hills

## PARTS LIST

Protection Film Kit (P/N 08P48-T60-100)



## REQUIRED TOOLS AND SUPPLIES

- Shop towel
- Masking tape
- Spray bottle
- Felt-tip pen
- Gloves
- Ruler

The following tools are available through the Honda Tool and Equipment Program:

- 3M Protective tape application solution (P/N: 08712-0008)
- Mini Soft Spreader/Applicator (T/N SBSA2302Y5PK)

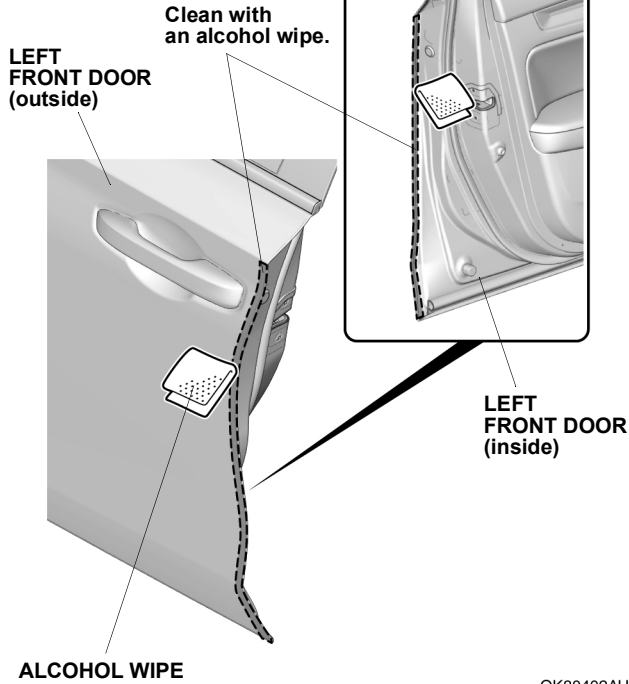
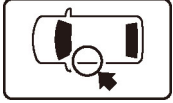
# Germain Honda of College Hills

## INSTALLATION

1. Clean the attaching area.

### NOTE

Allow to dry thoroughly.



QK30402AU

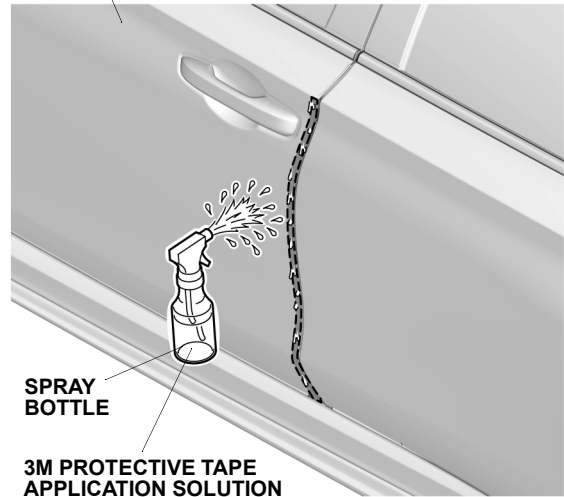
2. Spray the left front door.

### NOTE

Spray the outer surface of the door only.



LEFT FRONT DOOR (outside)



QM10603AU

# Germain Honda of College Hills

3. Attach the left front door edge film.

## NOTE

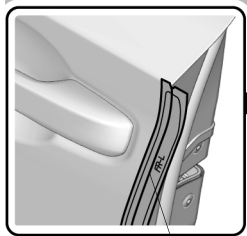
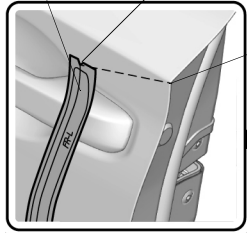
Make sure to check the identification mark before installation.

LEFT FRONT  
DOOR EDGE FILM  
(Identification mark:  
FR-L)

V-NOTCH  
(Line up with the bottom of  
the character line.)

CHARACTER  
LINE

ADHESIVE  
BACKING  
(Remove.)



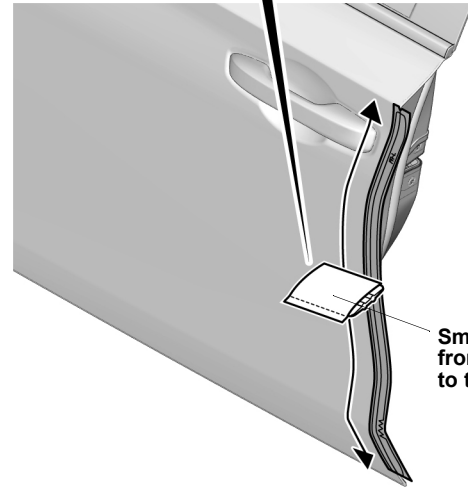
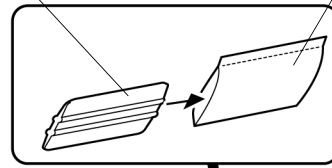
MARK  
(Line up with the edge of  
the left front door.)

QK30405AU

4. Insert the applicator.

APPLICATOR

SOFT SLEEVE



Smooth out  
from the center  
to the outside.

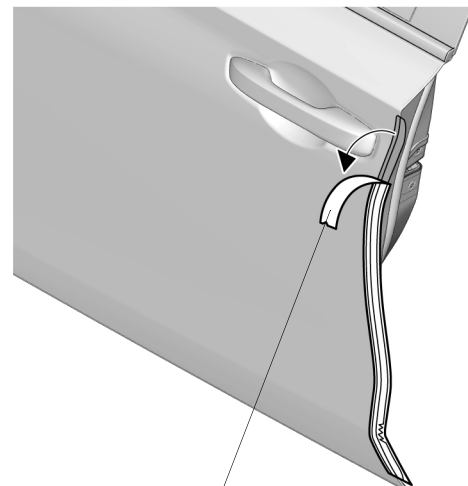
QK30406AU

5. Secure the left front door edge film.

## NOTE

Make sure that there are no air bubbles.

6. Remove the protective film.



PROTECTIVE  
FILM

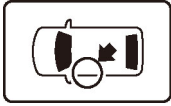
QK30407AU

# Germain Honda of College Hills

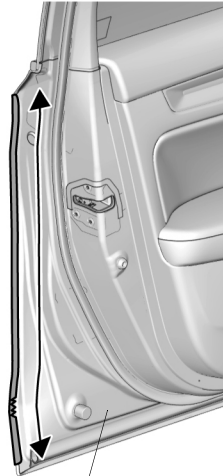
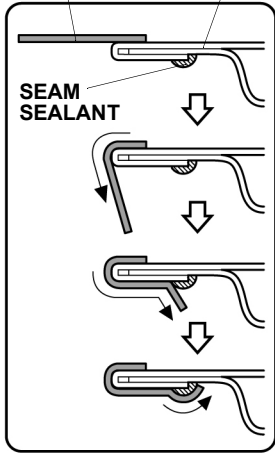
7. Secure the left front door edge film.

## NOTE

- Do not trim or damage the seam sealant.
- Make sure to prevent air from entering.



LEFT FRONT DOOR EDGE FILM      LEFT FRONT DOOR

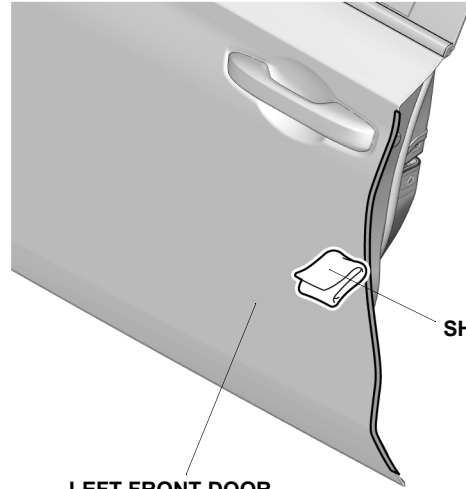
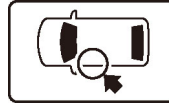


LEFT FRONT DOOR (inside)      QK30408AU

8. Wipe off the 3M protective tape application solution.

## NOTE

Allow to dry thoroughly.



LEFT FRONT DOOR (outside)

SHOP TOWEL

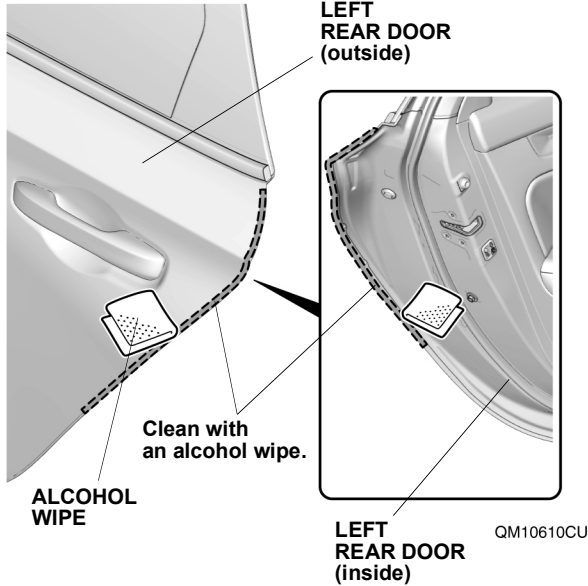
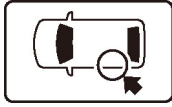
QK30409AU

# Germain Honda of College Hills

9. Clean the attaching area.

## NOTE

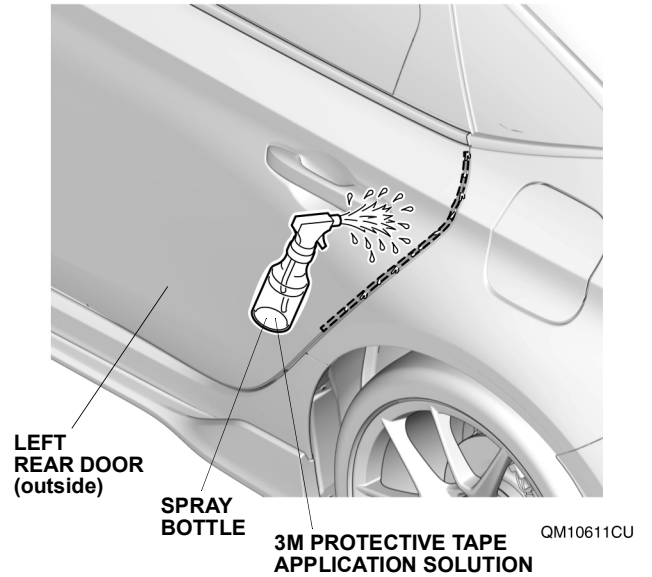
Allow to dry thoroughly.



10. Spray the left rear door.

## NOTE

Spray the outer surface of the door only.

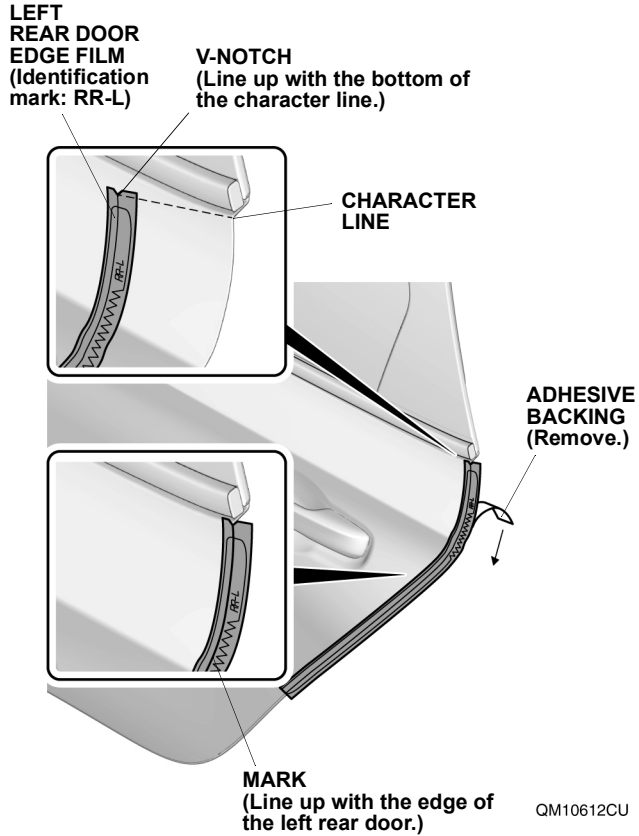


# Germain Honda of College Hills

11. Attach the left rear door edge film.

## NOTE

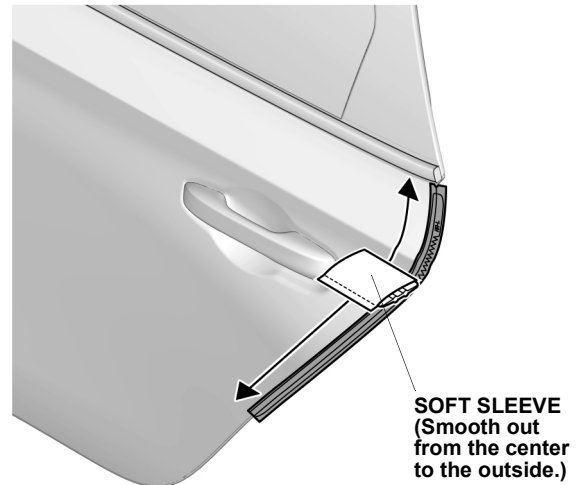
Make sure to check the identification mark before installation.



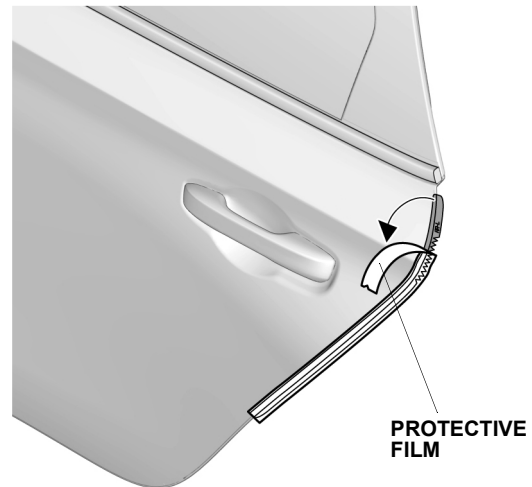
12. Secure the left rear door edge film.

## NOTE

Make sure that there are no air bubbles.



13. Remove the protective film.



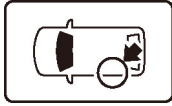


# Germain Honda of College Hills

14. Secure the left rear door edge film.

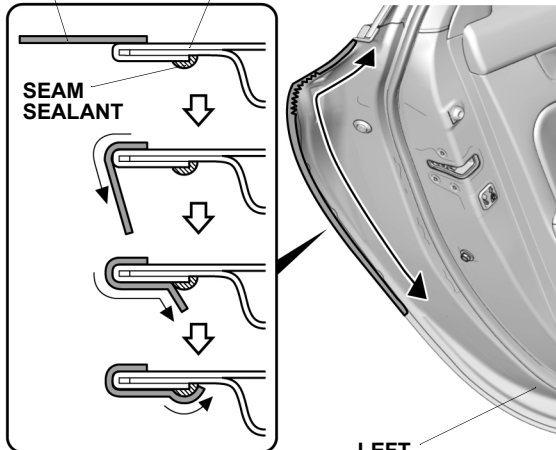
## NOTE

- Do not trim or damage the seam sealant.
- Make sure to prevent air from entering.



LEFT REAR DOOR EDGE FILM

LEFT REAR DOOR



SECTION VIEW

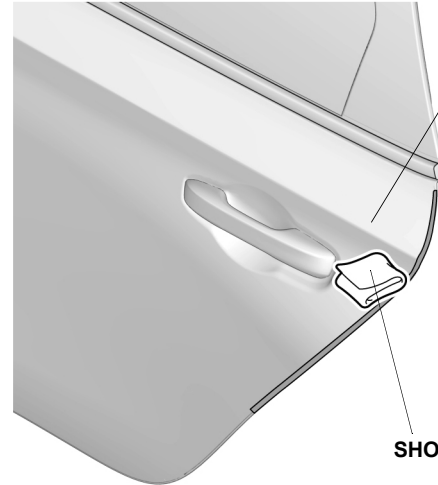
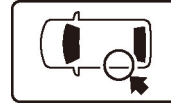
LEFT REAR DOOR (inside)

QM10615AU

15. Wipe off the 3M protective tape application solution.

## NOTE

Allow to dry thoroughly.

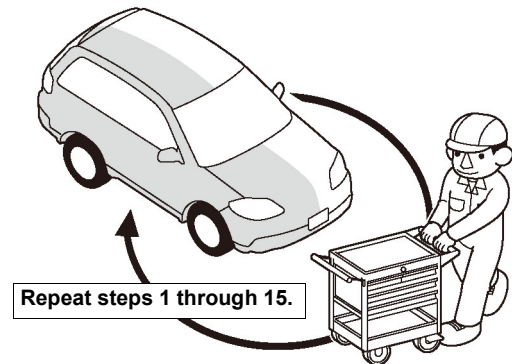


LEFT REAR DOOR (outside)

SHOP TOWEL

QM10616CU

16. Repeat the same procedures on the other side.

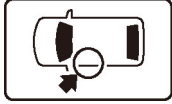


Repeat steps 1 through 15.

Q9D1014AM

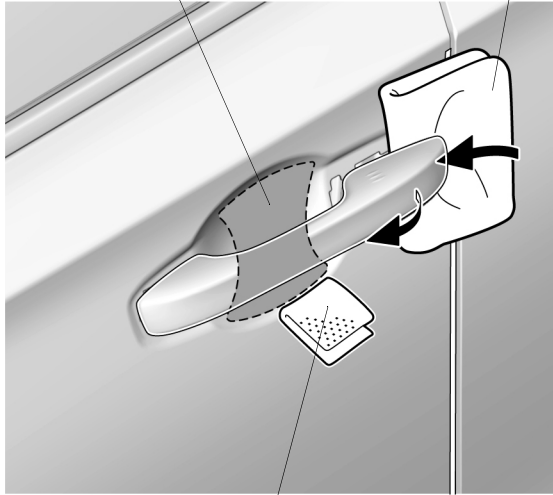
# Germain Honda of College Hills

17. Insert the shop towel.



**LEFT FRONT DOOR**  
(Clean with an alcohol wipe.)

**SHOP TOWEL**



**ALCOHOL WIPE**

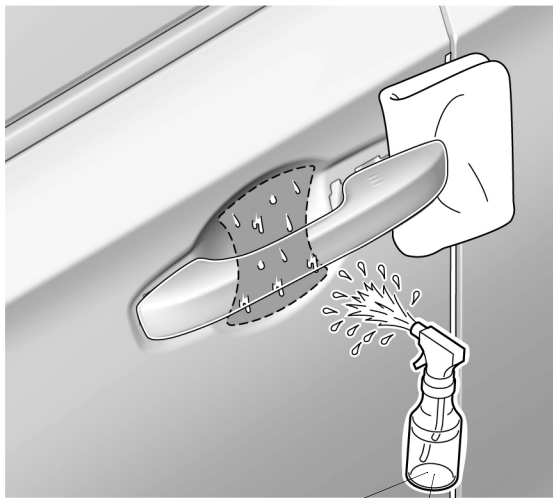
QM10617AU

18. Clean the left front door.

## NOTE

Allow to dry thoroughly.

19. Spray the left front door.



**3M PROTECTIVE TAPE APPLICATION SOLUTION**

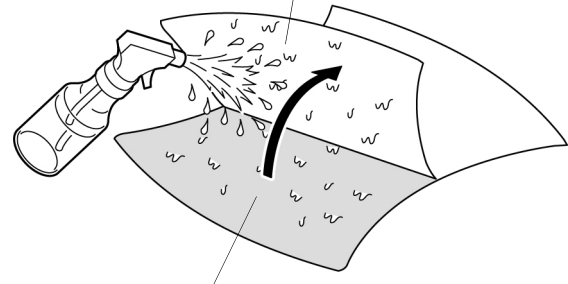
**SPRAY BOTTLE**

QM10618AU

20. Remove the adhesive backing.



**ADHESIVE BACKING**  
(Remove.)



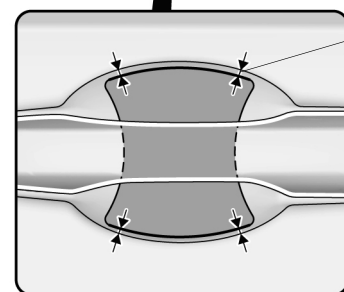
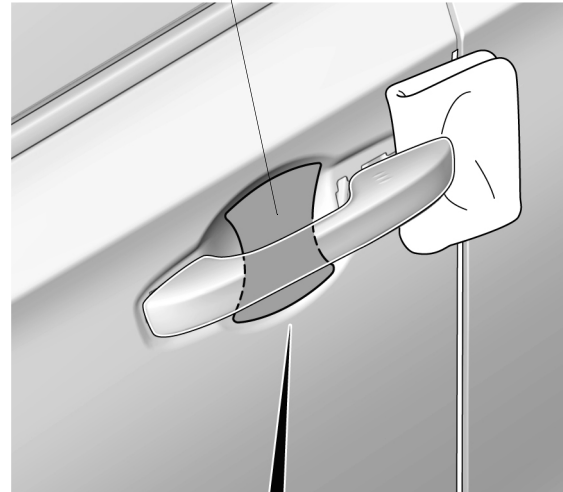
**DOOR HANDLE FILM**

QK30504BU

21. Spray the door handle film.

22. Line up the door handle film.

**DOOR HANDLE FILM**



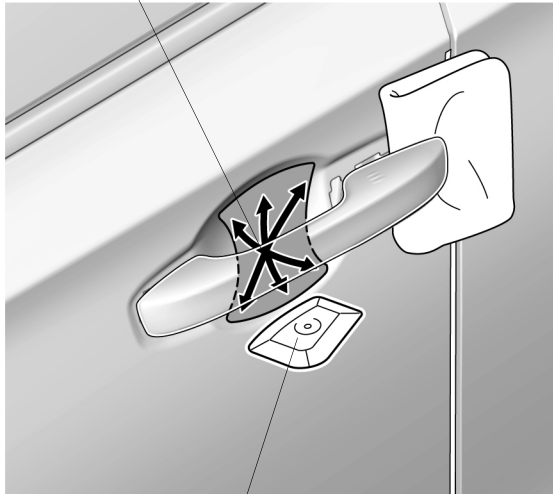
**Equal spacing.**

QM10619AU

# Germain Honda of College Hills

23. Secure the door handle film.

Work from the center to the outside.



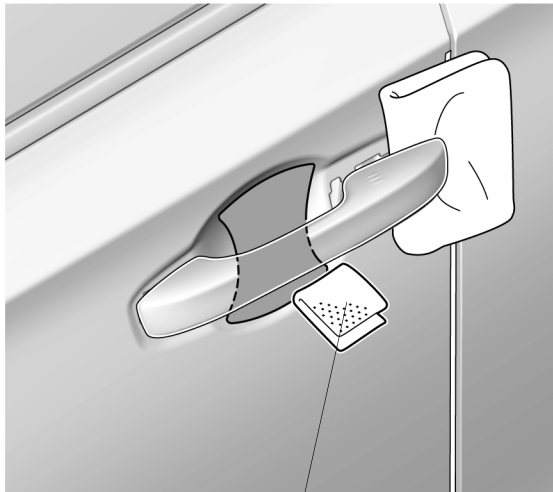
**MINI SOFT SPREADER/APPLICATOR**

QM10620AU

24. Wipe off the 3M protective tape application solution.

**NOTE**

Allow to dry thoroughly.



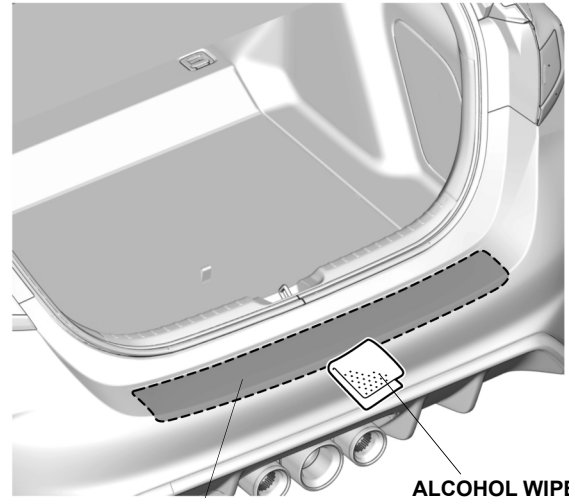
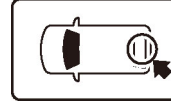
**SHOP TOWEL**

QM10621AU

25. Remove the shop towel.

26. Repeat steps 17 through 25 on the other doors.

27. Open the trunk lid.



**REAR BUMPER**  
(Clean with an alcohol wipe.)

**ALCOHOL WIPE**

QM10628AU

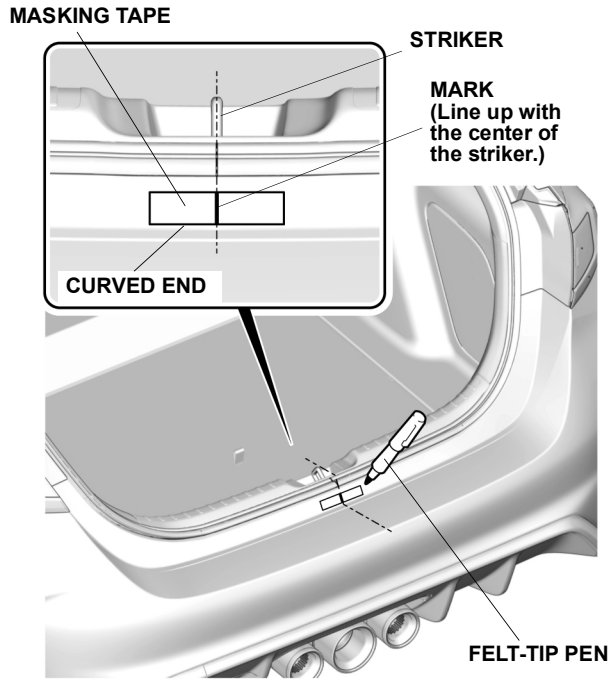
28. Clean the rear bumper.

**NOTE**

Allow to dry thoroughly.

# Germain Honda of College Hills

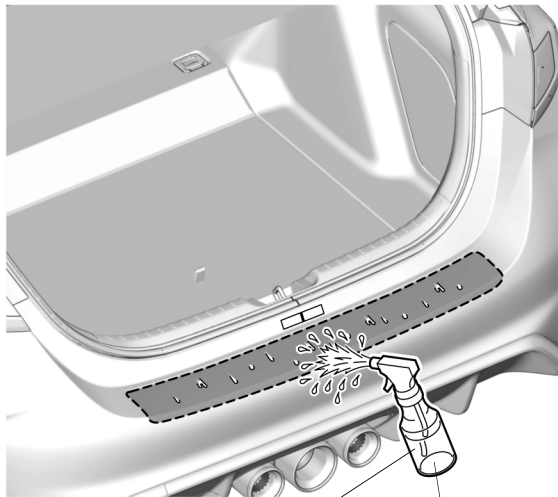
29. Attach the masking tape.



QM10629AU

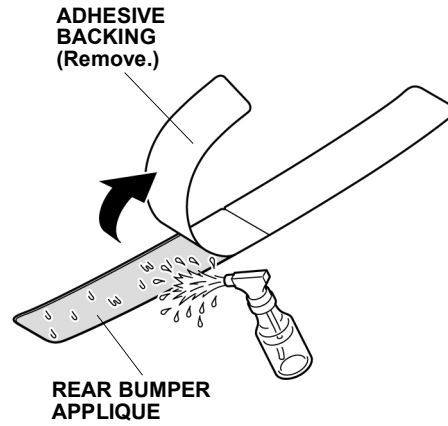
30. Mark the masking tape.

31. Spray the rear bumper.



QM10630AU

32. Remove the adhesive backing.

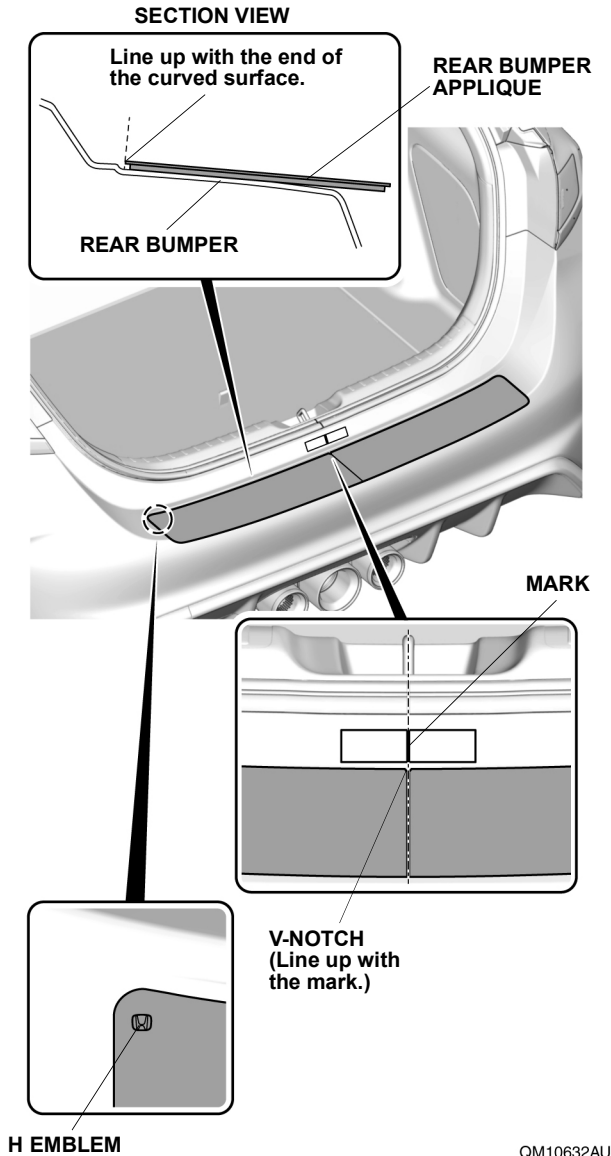


QM10631AU

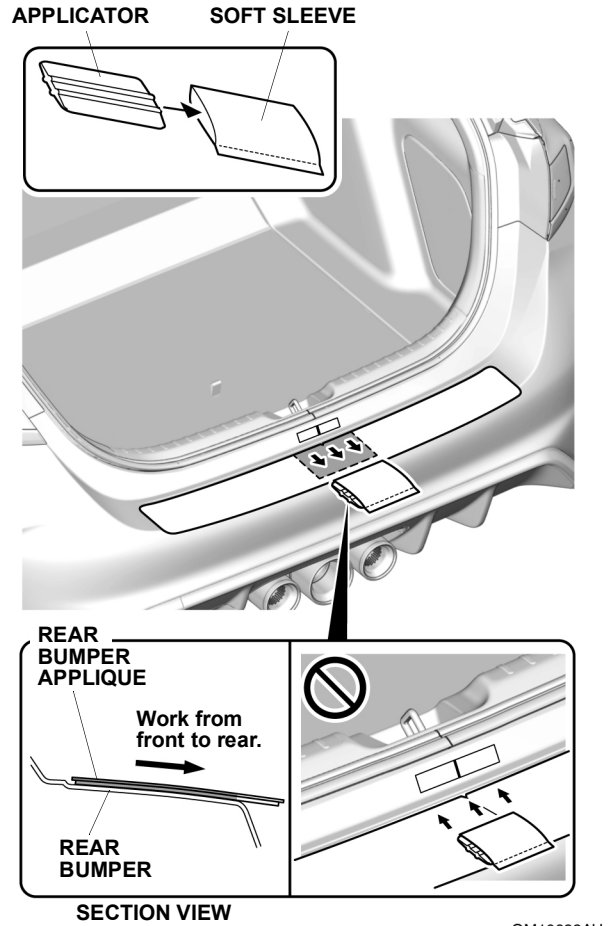
33. Spray the rear bumper applique.

# Germain Honda of College Hills

34. Line up the rear bumper applique.



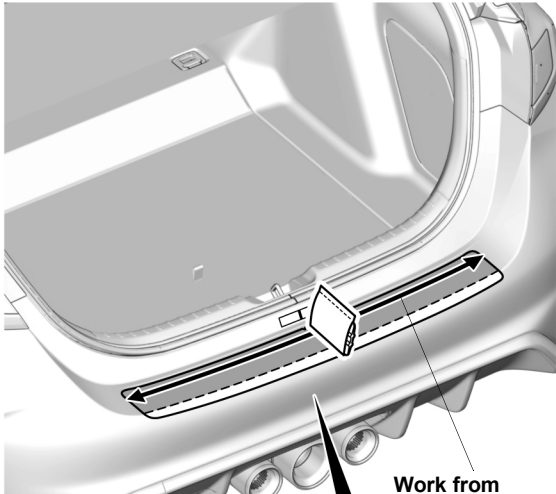
35. Insert the applicator.



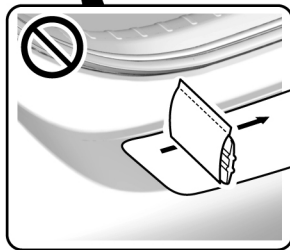
36. Secure the rear bumper applique.

# Germain Honda of College Hills

37. Secure the rear bumper applique.



Work from center to outside.

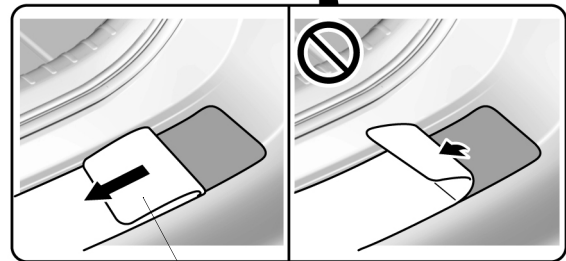
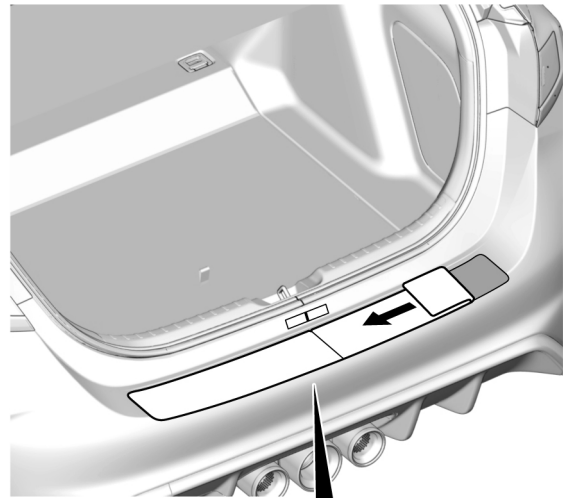


QM10634AU

38. Remove the protective film.

## NOTE

Do not pull up on the protective film.

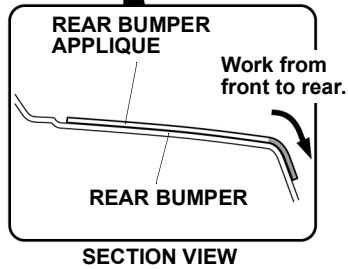
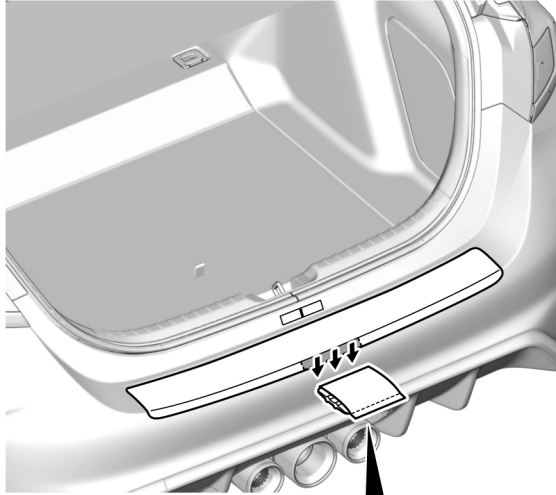


PROTECTIVE FILM

QM10635AU

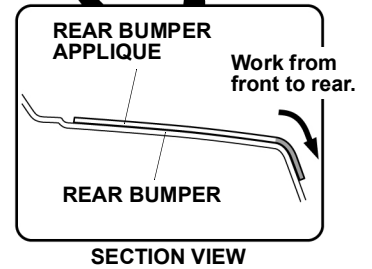
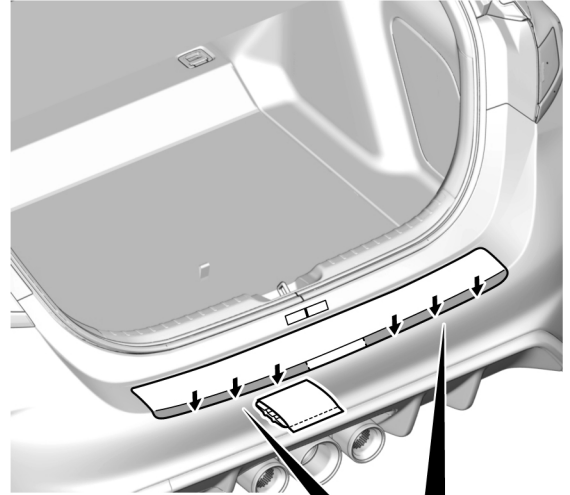
# Germain Honda of College Hills

39. Secure the rear bumper applique.



QM10636AU

40. Secure the rear bumper applique.

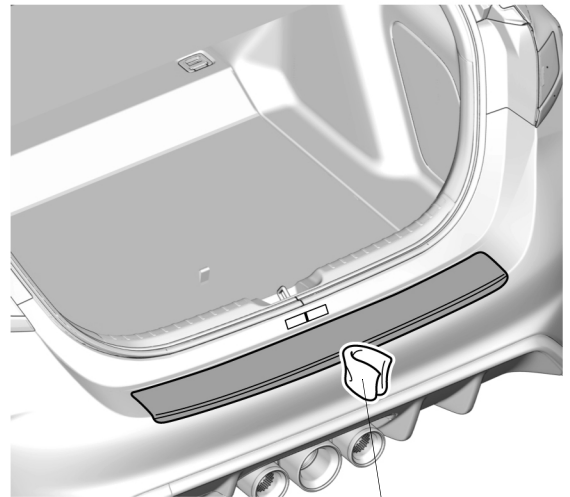


QM10637AU

41. Wipe off the 3M protective tape application solution.

## NOTE

Allow to dry thoroughly.



QM10638BU

42. Remove the masking tape.

43. Check that all parts are installed properly.