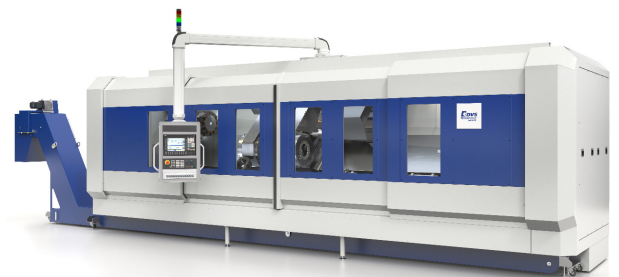


## I700: Drill pipe End machining

- › Komplettbearbeitung von Bohrgestängen
- › Complete machining of drill rods
- › Rigid workpiece clamping in the two centre drives
- › Short machining time due to simultaneous external / internal / end machining
- › High concentricity of the machined shaft ends
- › Simple loading





## Completely efficient

Oil drill rods are machined on this machine. In the process, the short centring collars, the spanner flats and the conical external and internal threads at the two workpiece ends, which are typical for this type of workpiece, are essentially applied to blanks (tubes made of high-strength steel).

The machine is loaded with a loading aid on the machine side by the overhead crane, the workpieces are then passed over by both centre drives and clamped in the centre drives.

The heavy-duty cutting is then carried out with the help of the two turret tool carriers and the two turning toolholders, which can also function as tailstocks due to their X-axis.

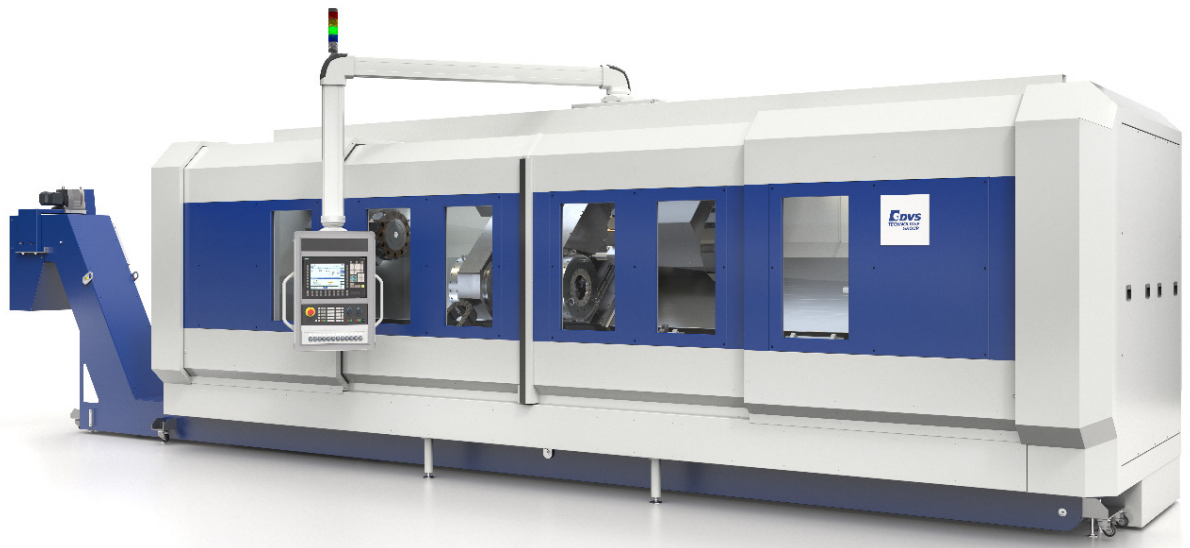
---

### Max. Workpiece dimensions for this machine

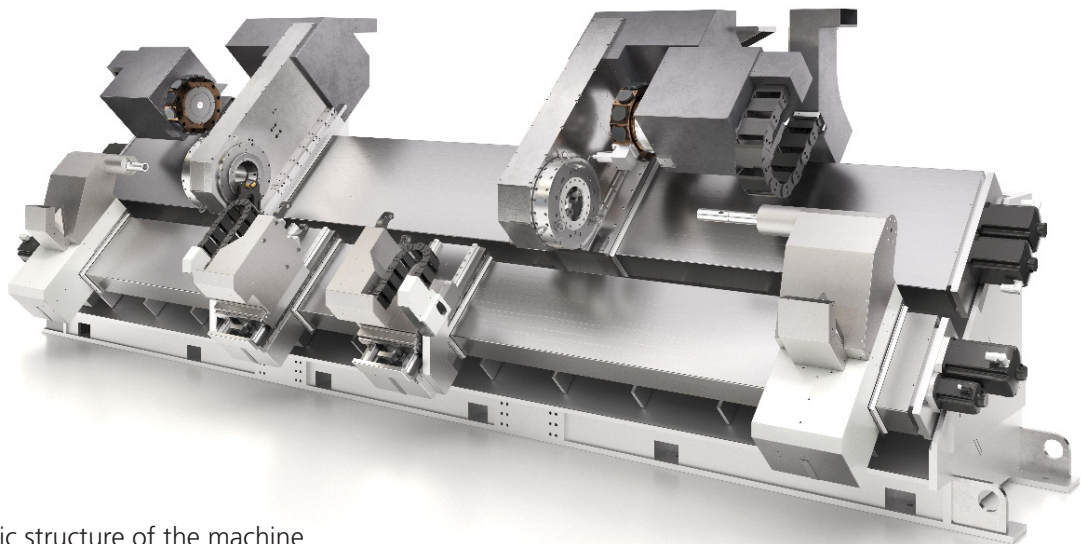
---

Length [mm]	3.250
Diameter [mm]	210
Weight [kg]	2000
Cycle [min]	10-30 (depending on workpiece)

---

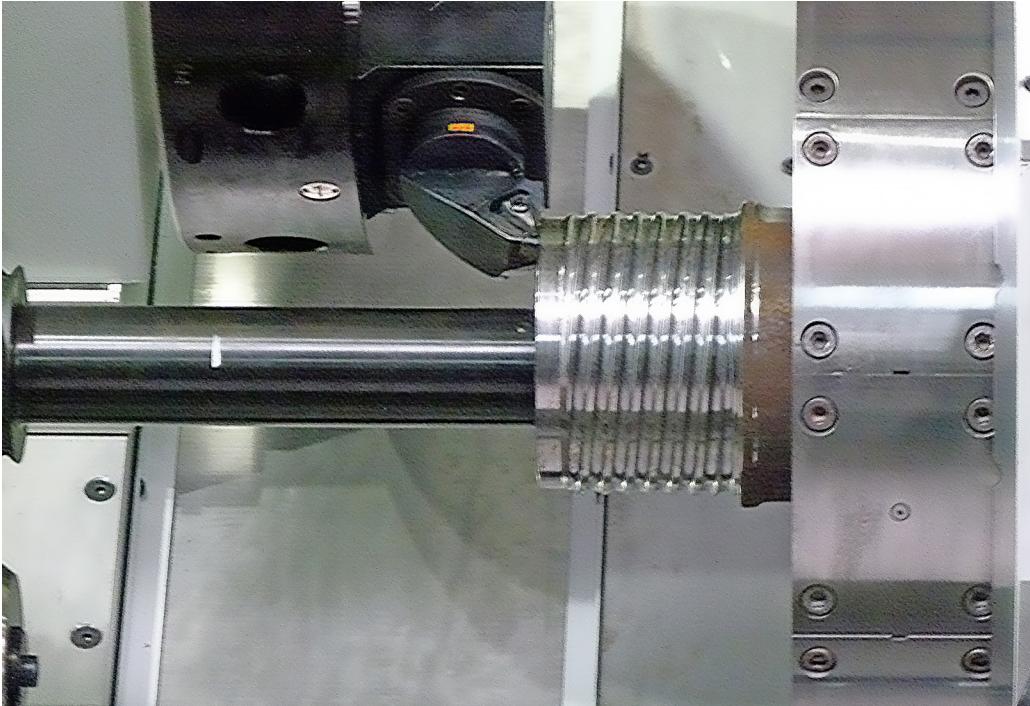


Overall system

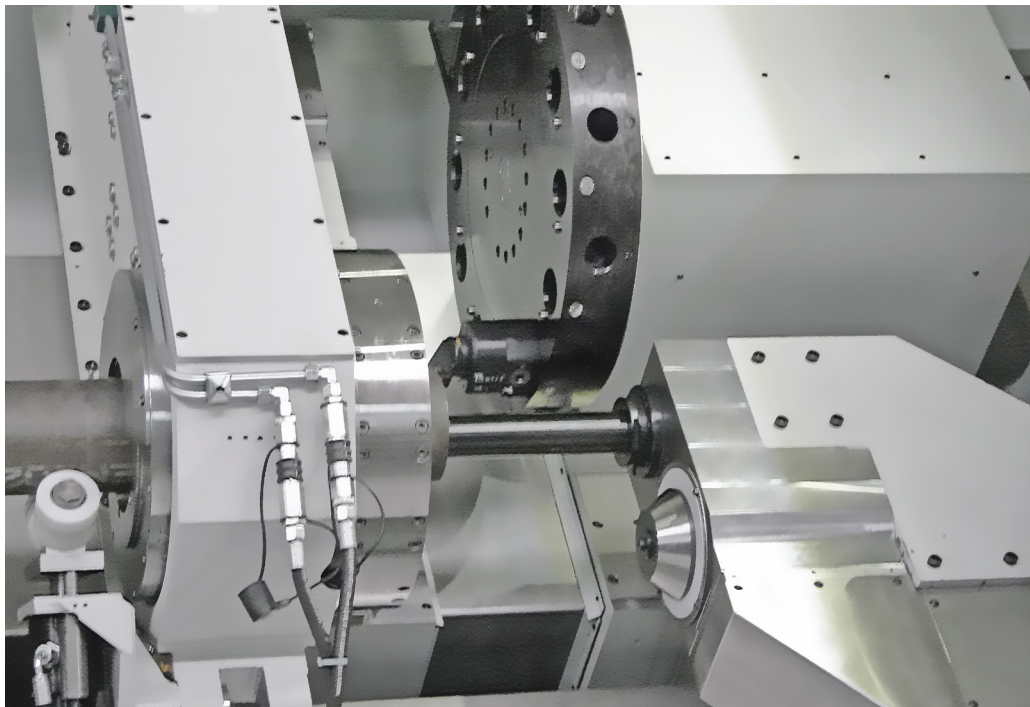


Basic structure of the machine

# Features



Cutting external and internal threads on drill pipe



Interior and exterior machining

# Our service. Fast and competent – worldwide.

The satisfaction of our customers has a particularly high priority for us. That is why we attach great importance to agile and competent service that supports our customers quickly and effectively.

To achieve this, we quickly bring the specialists from our production in contact with your problem. If the problem cannot be solved by telephone analysis and consultation or remote access, we quickly organize an on-site intervention by our competent staff.



## Our service for Machine tools

1. fast response
2. competent service
3. digital twin
4. remote access
5. worldwide resources of DVS Group



## Our service for assemblies

1. fast reaction, also at your site
2. competent service
3. subsidiaries in USA and China
4. digital spindle profile
5. smart spindle chip - SSC



## We train your employees

1. machine operation
2. mechanical maintenance
3. electrical maintenance
4. spindle repair

---

### Werkzeugmaschinenbau Ziegenhain GmbH

Am Entenfang 24  
D-34613 Schwalmstadt-Ziegenhain  
T +49 6691 9461-0  
F +49 6691 9461-20  
info@wmz-gmbh.de

### Service-Hotline

for assemblies  
T +49 6691 9461-44

for machines  
T +49 6691 9461-38

