

FFT *move* **Gravity Slide**

*"The **FFT** *move* **Gravity Slide** is a simple solution to feed small components to the production process. In addition, the gravity conveyor is part of the mechanical protection circuit, so no interrogations for safety are necessary."*

one step ahead in **INTELLIGENT** production systems



FFT*move* Gravity Slide

Easy feeding of components

1

Description
Functionality

2

Assemblies
Structure

3

Technical information
Connection data

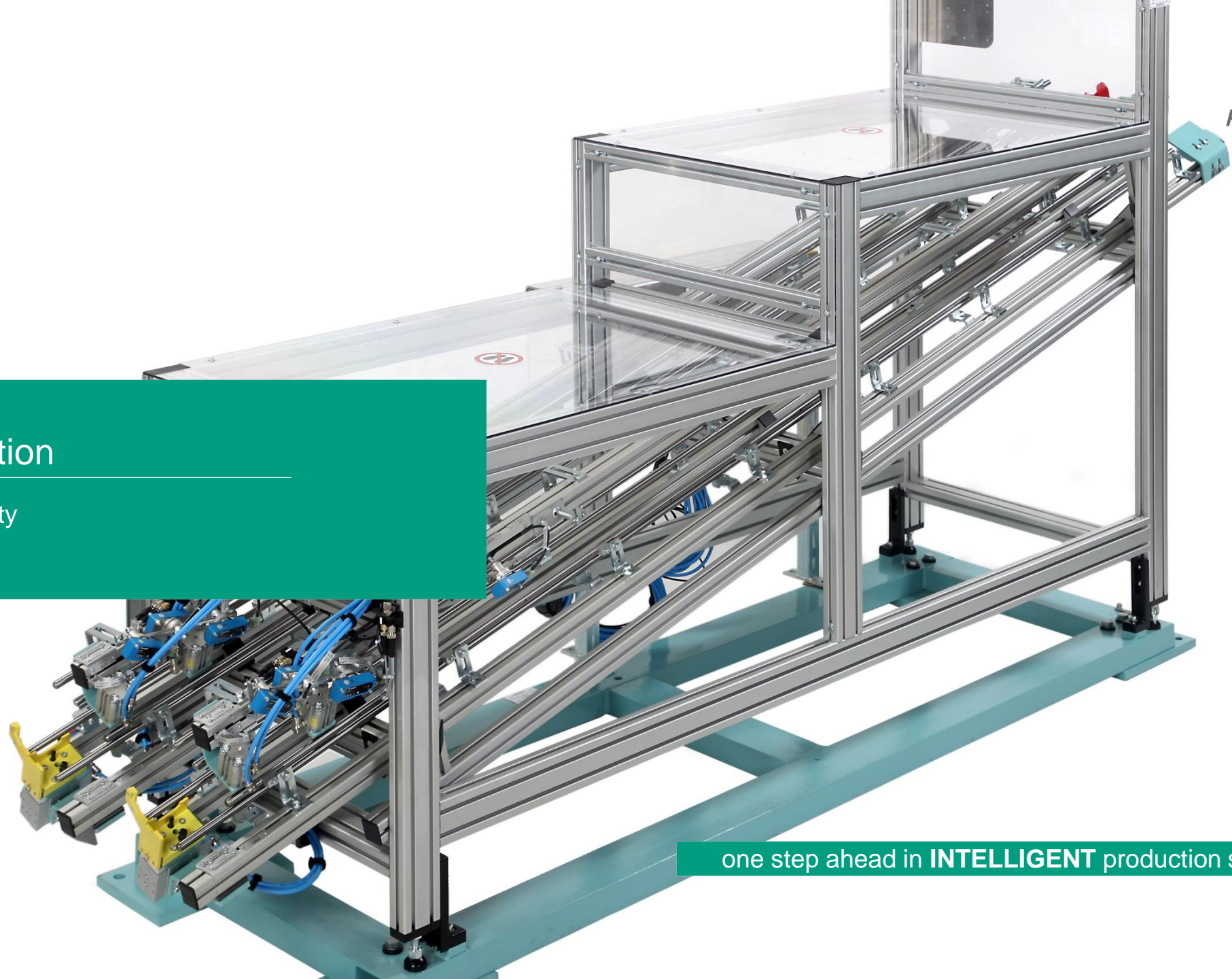
4

Advantages
Advantages and benefits for our customers

1

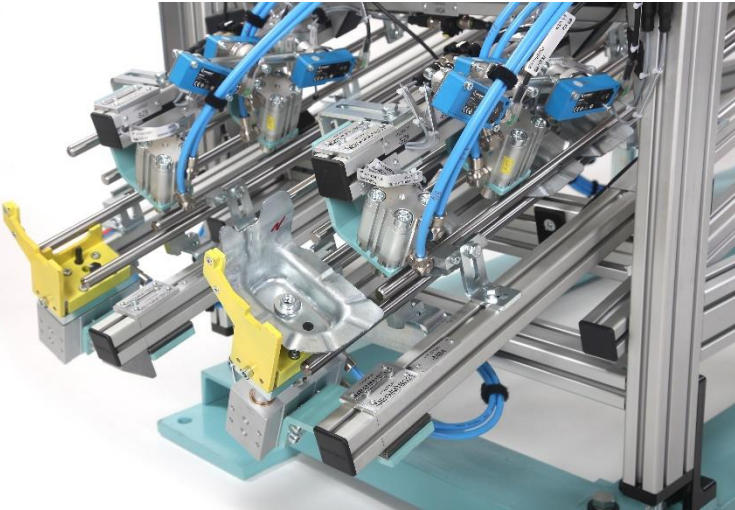
Description

Functionality



one step ahead in **INTELLIGENT** production systems

Functionality



The separation is realized either by the component itself, by pawls or by a pre-holding system.



Due to the angle of attack of the feed section, the inserted components are fed to the different variants by means of gravity.

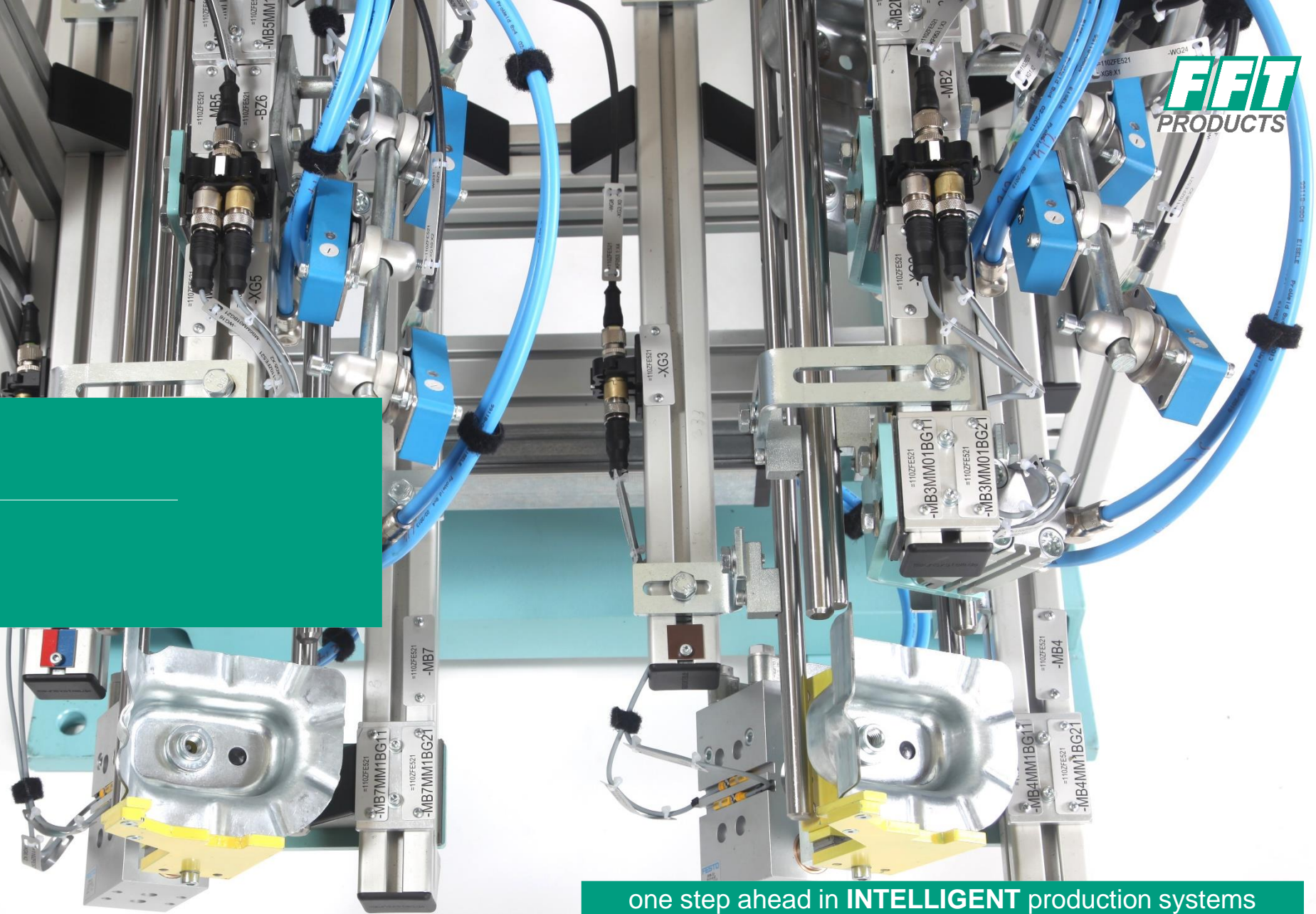


The guidance of the components ensures that nothing is wedged or deformed. Poka-Yoke prevents incorrect handling.

2

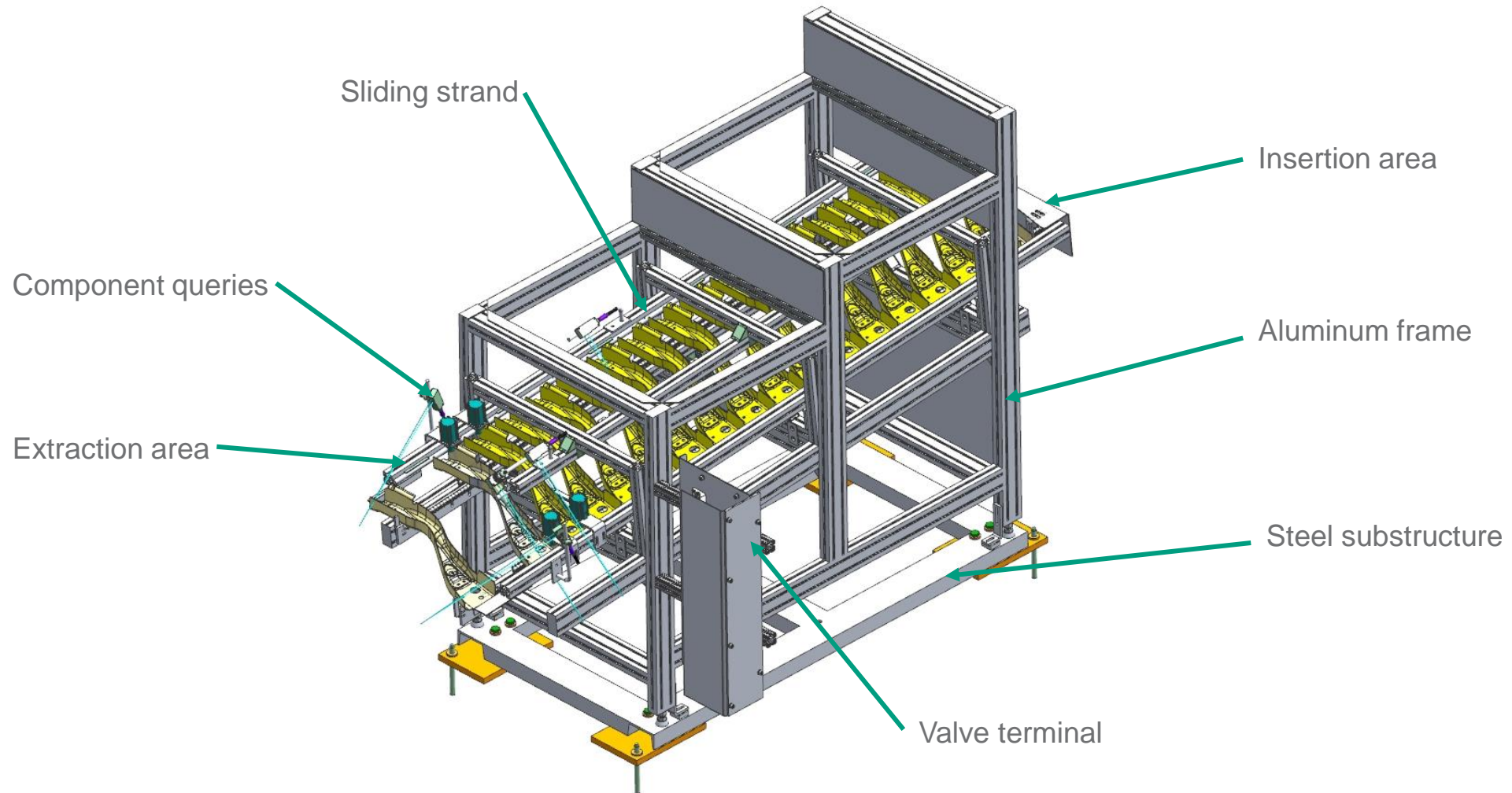
Assemblies

Structure



one step ahead in INTELLIGENT production systems

Assemblies



3

Technical information

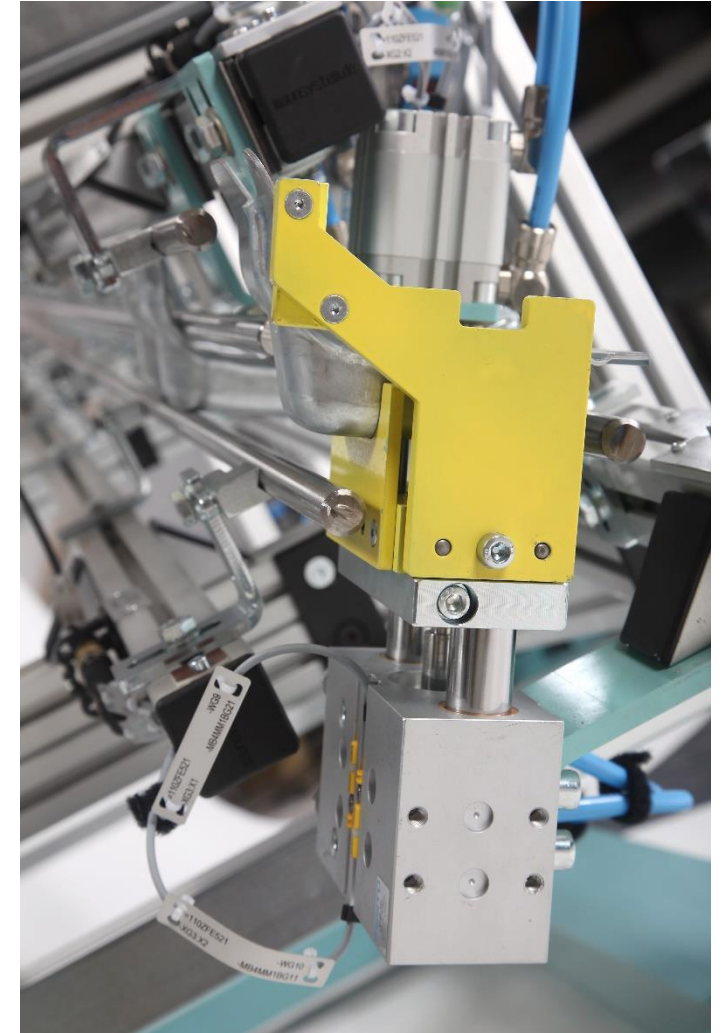
Connection data


one step ahead in **INTELLIGENT** production systems

Technical data

Special dimensions
in 50 mm
grid possible

| | |
|-----------------------|--------------------------|
| Height insertion area | 850 mm to 1250 mm |
| Wide | From 400 mm |
| Length | To max. 2500 mm |
| Inclination | 15° |
| Weight | Depending on the version |
| Compressed air | Min. 5 bar, max. 10 bar |
| Rated voltage | 230 V, 50 Hz |
| Positioning accuracy | ± 0.5 mm |
| Payload | Max. 200 kg |



A photograph of a glowing lightbulb floating above an open hand, set against a light blue background. The image is partially framed by a white diagonal shape that extends towards the text on the right.

We support our customers in efficiently implementing their production systems according to their specifications.

“

DO YOU NEED AN
INDIVIDUAL SOLUTION
FOR YOUR TASK?

4

Advantages

Low maintenance, individually plannable

one step ahead in **INTELLIGENT** production systems

Advantages

Der **FFT***move* **Schwerkraftförderer**

Advantages

- Space saving
- Large number of buffers
- Cost optimized
 - Low operating costs
 - Low investment
- High quality
 - Simple construction
 - Few wearing parts

SERVICE OPTIONS

We support your project from the idea to the realization and gladly beyond.



We take into account quality and deadline requirements and we assume the responsibility for the project until turnkey handover.



Consulting

Use our experience for your tasks



Project Management

Support from the idea to the start of production



Risk Analysis

Identification of risks in the process



Custom design

Creation of individual solutions



Manufacturing

Successful manufacturing with modern technologies



Documentation

Clear and logical



Conformity

Compliance with standards and regulations



After Sales

Competent service through FFT



CONTACT

Your personal contact person

Markus Spitz
Department manager of materials handling

FFT Produktionssysteme GmbH & Co. KG
Schleyerstraße 1, DE-36041 Fulda
Tel.: +49 (0) 661 2926 - 5401
Mobil: +49 (0) 1511 - 7689814
E-Mail: markus.spitz@fft.de
www.fft.de



THANK YOU

Feel free to contact us.

WWW.FFT.DE | INFO@FFT.DE
TEL.: +49 (0) 661 2926-0

