



Helping hands for your Forklift truck

# KAUP electric accessories

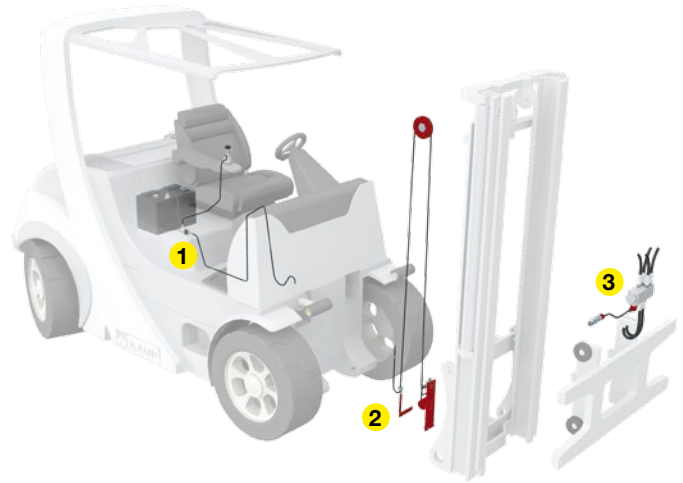
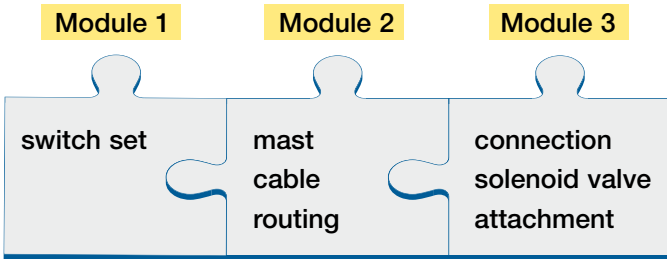


HIGH-VISIBILITY FORKLIFT TRUCK ATTACHMENTS

## Electrical accessories for operating additional attachment functions\*

### Modular structure

The modular structure from three system components ensures the optimal accessory for operating additional attachment functions for every type of forklift truck.

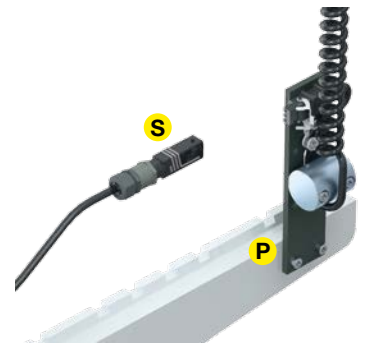


### Defined interface

Three variable modules 'switch set', 'mast cable routing' and 'connection solenoid valve - attachment' are combined via clearly defined plug connection (S).

### Quick and simple assembly

The electrical accessory kit is optimised for simple assembly on the forklift truck. Module 1 includes all alternative operating elements. Module 2, in the variation 'cable guide in pipe system' can be mounted onto the mast without the installation requiring approval. The connecting plate (P) is designed for different fastenings onto the basic fork carriage. The module 3 is available for the connection to a single solenoid valve or, alternatively, a double solenoid valve.



## Predefined sets for choosing the most suitable Electrical Assembly Kit

Electrical assembly kit	MODULE 1	MODULE 2		MODULE 3			
	switch set	pipe system	with reverse roller	connection solenoid valve			
Part Number	incl. seesaw & rocker switch	lifting height up to 5.600 mm	lifting height up to 8.000 mm	lifting height up to 3.500 mm	lifting height up to 6.000 mm	single solenoid valve	double solenoid valve
026 008 3001	X	X				X	
026 008 3002	X	X					X
026 008 3003	X		X			X	
026 008 3004	X		X				X
026 008 3005	X			X		X	
026 008 3006	X			X			X
026 008 3007	X				X	X	
026 008 3008	X				X		X

\* further information can be found in the brochure KAUP electrical accessories for operating additional attachment functions.

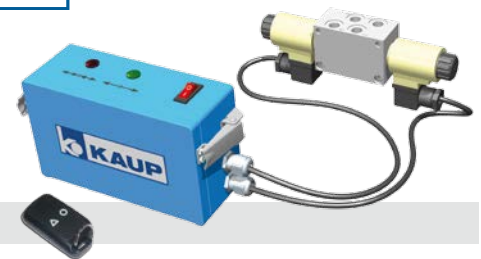
## Electric Spring Cable Drum for electricity feed over Triplex mast

Part Number	Name of the item	
048 099 0066	Electric Spring Cable Drum incl. holder	3 pole 8 m
048 099 1001	Electric Spring Cable Drum	6 pole 4 m
048 099 0601	Electric Spring Cable Drum	9 pole 12 m



## Radio controlled solenoid valve for wireless control of hydraulic functions

Part Number	Name of the item
042 093 0011	Radio solenoid valve 12 V with radio remote control and visual indicator of set valve position. Including transmitter, battery charger and 2 rechargeable batteries (12VDC)



## Light column display for preselected pressure range (traffic light design)

Part Number	Name of the item
026 099 0083	Light column display 12 Volt
026 099 0099	Light column display 24 Volt
026 099 0034	Light column display 48 Volt
026 082 0101	Control panel with light display 12 / 24 / 48 Volt
042 001 7001	Pressure Relief Valve for two additional pressures (= total 3) 12 Volt switched by solenoid valve
042 001 7002	Pressure Relief Valve 24 Volt switched by solenoid valve
042 001 7004	Pressure Relief Valve 48 Volt switched by solenoid valve
026 099 0035	Accessory Kit



## Optical / audible sensor

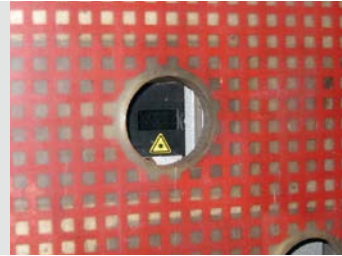
rotating attachments can be fitted with a sensor which signals, optically and/or audibly, the exact 180° position.

Further technical details available upon request.

## Sensor technology for Appliance- and Large Surface Clamps

The clamping arms of KAUP Appliance and Large Surface Clamps can be fitted with sensors so that these identify the load pattern i.e. one or two high / one or two deep. Preset pressures required to pick up the load are automatically adjusted by the sensor control system.

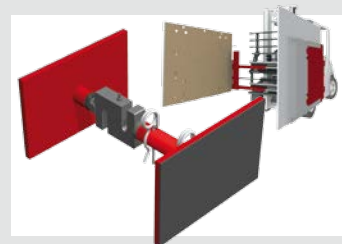
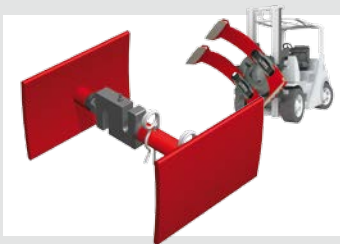
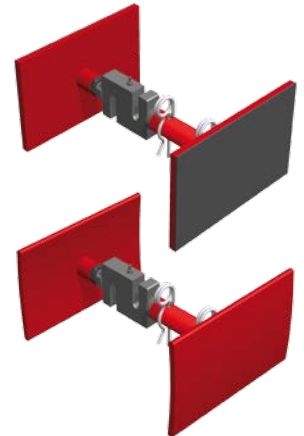
Further technical details available upon request.



## Check device for Appliance- and Large Surface Clamps / Roll Clamps

Used for checking and adjusting predefined pressures on the clamp. With the help of the check device and the corresponding analysis and adjustment, the exact clamping pressure can be set so that damage to sensitive loads e.g. white or brown goods or paper rolls can be minimised.

Further technical details available upon request.



## Further accessories and optional fittings available upon request.

KAUP attachments correspond to the requirements of the valid EC regulations regarding quality, safety and technical documentation. All technical data are subject to alteration.

KAUP is certified acc. to DIN EN ISO 9001



Helping hands for your Forklift truck

**KAUP GmbH & Co. KG**

Braunstrasse 17 · D - 63741 Aschaffenburg

☎ +49 6021 865-0 · 📠 +49 6021 865-213

E-Mail: kaup@kaup.de · www.kaup.de