

LED IMPORTANT SAFETY INSTRUCTIONS

for INSTALLATION AND MAINTENANCE

**Read all instructions and warnings before attempting installation or maintenance.
Save these instructions and deliver to owner after installation or maintenance.**

WARNING RISK OF ELECTRICAL SHOCK. Only qualified licensed electrician should perform installation and maintenance which requires knowledge of the operation of the luminaire's electrical system and the electrical hazards involved.

WARNING RISK OF ELECTRICAL SHOCK. Disconnect power before installation or servicing.

WARNING RISK OF ELECTRICAL SHOCK. Verify that supply voltage is correct by comparing it with the luminaire label information.

WARNING RISK OF ELECTRICAL SHOCK. Make all electrical and grounded connections in accordance with the National Electrical Code (NEC) and any applicable local code requirements.

WARNING RISK OF ELECTRICAL SHOCK. All wiring connections should be capped with UL approved recognized wire connectors.

WARNING RISK OF FIRE OR ELECTRICAL SHOCK. Luminaire wires and electrical components may be damaged when drilling mounting holes for the installation. Select drilling locations where are away from wires and electrical components.

WARNING RISK OF FIRE OR ELECTRICAL SHOCK. Do not make or alter any open holes on any enclosure of wiring or electrical components during installation.

WARNING RISK OF FIRE OR ELECTRICAL SHOCK. Only those open holes indicated in the photographs and/or drawings should be made or altered as a result of installation or maintenance.

WARNING RISK OF FIRE OR ELECTRICAL SHOCK. To prevent wiring damage or abrasion, do not expose wiring to edges of sheet metal or other sharp objects.

WARNING RISK OF PERSONAL INJURY. Wear gloves and safety glasses at all times when removing luminaire or replacement parts from carton, installing, servicing and performing maintenance.

WARNING RISK OF PERSONAL INJURY. Allow luminaire to cool before handling. Do not touch enclosure or light source while hot.

WARNING RISK OF PERSONAL INJURY. This product may contain chemicals known to the State of California to cause cancer, birth defects and/or other reproductive harm. Thoroughly wash hands after installing, handling, cleaning, or otherwise touching this product.

Los Angeles Lighting Mfg. Co. assumes no responsibility for claims arising out of improper or careless handling or installation of this product.



Los Angeles Lighting Mfg. Co.

10141 OLNEY ST. / EL MONTE, CA 91731

Tel : 626-454-8300 Fax : 626-454-8399 www.lalighting.com

Revised: 10/18/22
Page 1 of 4



LED IMPORTANT SAFETY INSTRUCTIONS

for INSTALLATION AND MAINTENANCE

Read all instructions and warnings before attempting installation or maintenance. Save these instructions and deliver to owner after installation or maintenance.

IMPORTANT SAFETY

- Always disconnect power before attempting installation or maintenance.
- Always read all instructions and warnings before attempting installation or maintenance.

IMPORTANT REPLACEMENT PARTS

- Should any parts of luminaire be damaged or broken, only replace with replacement components that provided by Los Angeles Lighting Mfg. Co.

IMPORTANT APPLICATIONS

- Only use the luminaire in it's intended application.
- Unless otherwise specified, do not restrict luminaire ventilation. Allow for some volume of airspace around the luminaire, avoid covering LED luminaire with insulation, foam, or other material that will prevent convection or conduction cooling.
- Unless otherwise specified, do not exceed luminaire's maximum ambient temperature.

IMPORTANT HANDLING

- Do not touch the LEDs to prevent the risk of damaging the LEDs.
- Electrostatic discharge (ESD) can damage the LED luminaire, personal grounding equipment must be worn during installation or maintenance.
- Do not mount or support the luminaire or replacement components in a manner that can cut the outer jacket or damage wire insulation.
- To make sure all conductors are properly connected, do not carry luminaire or replacement components by grabbing attached wires.

IMPORTANT CLEANING

- Outside surface of luminaire housing and lens can be cleaned, using duster or damp clothes to clean the surface, wiped dry afterwards. Should inside of lens get dirty, wipe lens and clean in the same manner, DO NOT TOUCH OR CLEAN LEDs and other electrical components.
- Lens or diffuser that can be removed from luminaire housing can be washed by cold water, wiped dry before reinstall to the luminaire.
- Frequency of cleaning will depend on ambient dirt level and minimum light output which acceptable to owner.

IMPORTANT RECYCLE

- For information on how to recycle LED electronic product, please visit www.epa.gov

IMPORTANT MORE INFORMATION NEEDED

- These instructions do not purport to cover all details or variations in equipment nor to provide every possible contingency to meet in connection with installation, operation, or maintenance. Should further information be desired or should particular problems arise which are not covered sufficiently for the purchaser's or owner's purposes, this matter should be referred to Los Angeles Lighting Mfg. Co.

Los Angeles Lighting Mfg. Co. assumes no responsibility for claims arising out of improper or careless handling or installation of this product.



Los Angeles Lighting Mfg. Co.

10141 OLNEY ST. / EL MONTE, CA 91731

Tel : 626-454-8300 Fax : 626-454-8399 www.lalighting.com

Revised: 10/18/22
Page 2 of 4

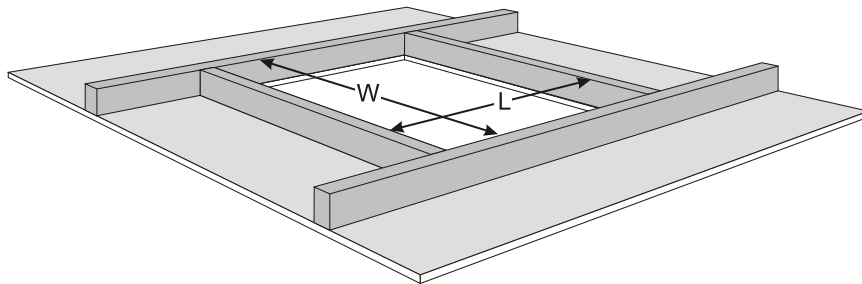


**Read all instructions and warnings before attempting installation or maintenance.
Save these instructions and deliver to owner after installation or maintenance.**

RISK OF FIRE AND ELECTRIC SHOCK

***Disconnect power from the main circuit before installation.
This product to be installed by a qualified licensed electrician only.***

1. On drywall, gypsum wallboard, or other hard lid ceilings, frame and cut out a ceiling opening to the appropriate size shown in the chart below.



Series	Luminaire Size	Ceiling Cut-out Dimensions	
		W	L
FCR210/211/710/711	1' x 4'	12 ½"	48 ½"
FCR220/221/720/721	2' x 2'	24 ½"	24 ½"
FCR220/221/720/721	2' x 4'	24 ½"	48 ½"

2. Following National Electric Code and all applicable local codes, install an appropriate electrical power feed so that its end drop is at least 12" below the ceiling plane.
3. Finish and paint the ceiling as desired. To ensure an adequate seal between the flange and the ceiling, square corners and a flat ceiling surface are required.
4. Open fixture door and remove wireway cover from the fixture housing.
5. Connect power feed to the fixture according to National Electric Code and applicable local codes.
6. Raise the fixture into the opening and secure according to local/national codes. See additional info on following page for installation instructions for optional hanger yokes.
7. Seal all holes, gaps, and entire perimeter of flange to plenum, using caulk/sealant provided by others.
8. Re-install wireway cover, close fixture door and make sure all door screws are tightened.

Los Angeles Lighting Mfg. Co. assumes no responsibility for claims arising out of improper or careless handling or installation of this product.



Los Angeles Lighting Mfg. Co.

10141 OLNEY ST. / EL MONTE, CA 91731

Tel : 626-454-8300 Fax : 626-454-8399 www.lalighting.com

Revised: 10/18/22
Page 3 of 4



FCR210/211/220/221 & FCR710/711/720/721 Series

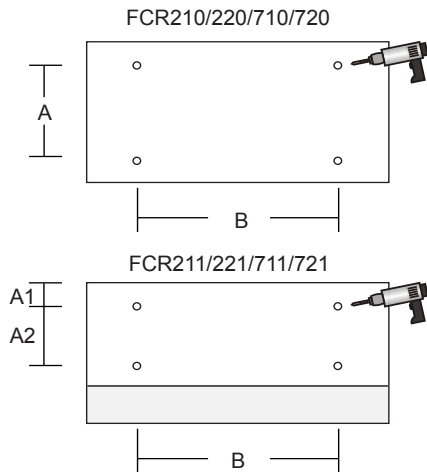
LED Luminaire Installation Instructions

**Read all instructions and warnings before attempting installation or maintenance.
Save these instructions and deliver to owner after installation or maintenance.**

Installation of optional hanger yokes.

Two required per luminaire, must be ordered separately.

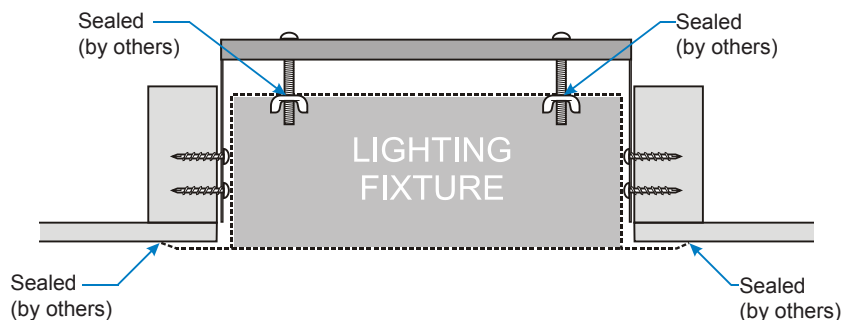
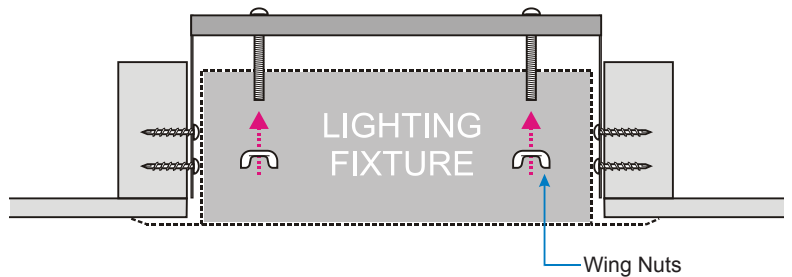
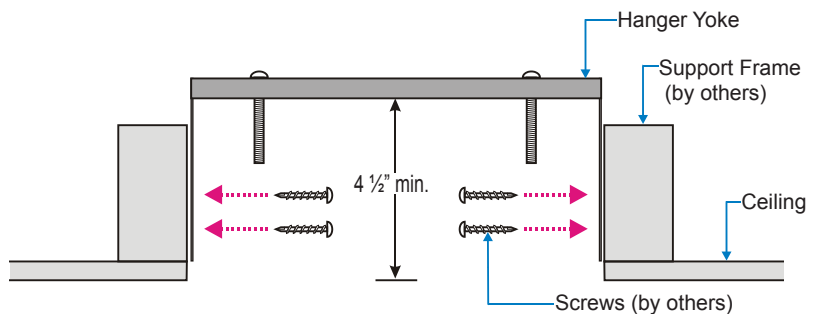
1. Refer to chart below to determine the mounting locations for the hanger yokes within the frame, and the hole locations on the back of the luminaire. Drill $\frac{3}{8}$ " diameter holes on the back of luminaire in appropriate locations.



Series	Luminaire Size	On Center Dimensions A	On Center Dimensions B
FCR210/710	1' x 4'	8"	32"
FCR220/720	2' x 2'	15 1/4"	13"
FCR220/720	2' x 4'	15 1/4"	32"

Series	Luminaire Size	A1	A2	On Center Dimensions B
FCR211/711	1' x 4'	3"	4"	32"
FCR221/721	2' x 2'	3.5"	4.75"	15.25"
FCR221/721	2' x 4'	3.5"	4.75"	32"

2. Secure hanger yokes to the support frame with screws. Distance from hanger yoke to ceiling surface must be a minimum of 4 1/2"
3. Open fixture door and remove wireway cover from the fixture housing.
4. Connect power feed to the fixture according to National Electric Code and applicable local codes.
5. Raise the luminaire into the ceiling opening, secure the fixture with provided wing nuts, and tighten wing nuts until flanges press tightly against ceiling.
6. Seal all holes, gaps, and entire perimeter of flange to plenum, using caulk/sealant provided by others.
7. Re-install wireway cover, close fixture door and make sure all door screws are tightened.



Los Angeles Lighting Mfg. Co. assumes no responsibility for claims arising out of improper or careless handling or installation of this product.



Los Angeles Lighting Mfg. Co.

10141 OLNEY ST. / EL MONTE, CA 91731

Tel : 626-454-8300 Fax : 626-454-8399 www.lalighting.com

Revised: 10/18/22

Page 4 of 4

