

TECHNICAL MANUAL

EN | ES | FR | DE | IT

# BLUE PAPER RISE

2021

**ORBEA**



# INDEX

EN p.03 | ES p.84 | FR p.168 | DE p.252 | IT p.336

<b>01 INTRODUCTION</b>	<b>6</b>
Key to symbols	
<b>02 ORBEA WARRANTY</b>	<b>8</b>
Legal warranty	
Orbea lifetime warranty	
Pedelec system components warranty	
Warranty claim process	
<b>03 MAINTENANCE</b>	<b>10</b>
Keep your bicycle clean	
Keep your drivetrain lubricated	
Inspect your bicycle before every ride	
Maintenance schedule of the components	
Pedelec system updates	
Replacement parts	
After a crash or an impact	
<b>04 USE WARNINGS. RISE</b>	<b>15</b>
Maximum tyre width	
Minimum seatpost insertion	
Maximum fork length (axle to crown)	
Maximum number of headset spacers	
Headset spacers above the stem	
Intended use	
<b>05 USE WARNINGS. PEDELEC SYSTEM COMPONENTS</b>	<b>17</b>
Use and care warning of the electric system components and the batteries	
Range	
Electric bicycle battery transport	
Electric bicycle transport	

## 06 USE OF RISE 20

Turning Rise On/Off  
 Checking the battery level  
 Charging the batteries  
 Changing the assist mode  
 System errors

## 07 ORBEA RS TOOLBOX. RISE DATA DISPLAY ON COMPATIBLE GARMIN UNITS 25

Install and unlock orbea rs toolbox on Garmin devices. Garmin connect app  
 Enabling Orbea RS Toolbox in your device  
 Using Orbea RS Toolbox  
 Activity data recording of Rise in Garmin Connect

## 08 SHIMANO ETUBE PROJECT. CUSTOMIZATION OF THE EP8 RS SYSTEM 34

System errors

## 09 GEOMETRY AND SIZING 36

Maximum and minimum saddle height with dropper seatposts

## 10 TECHNICAL SPECIFICATIONS 40

Technical specifications. Rise  
 Technical specifications. Shimano EP8 RS

## 11 ASSEMBLY AND SPARES 45

Headset  
 Headtube dimensions  
 Headset specifications  
 Headset spare parts and assembly  
 Axles and derailleur hanger  
 Swingarm main pivot  
 Linkage  
 Linkage exploded view and spares  
 Linkage assembly  
 Shock assembly  
 Frame hardware and protectors  
 Chainguide  
 Rear derailleur and brake cable routing

Shimano EP8 components cable routing and connection  
 Shimano EW-EN100 junction assemblies (without display)  
 Differences between assemblies with Shimano EW-EN100 junction and with Shimano SC-EM800 display  
 Connecting Rise to Shimano Etube professional. Information for dealers  
 Orbea RS components cable routing and connection  
 EP8 RS motor installation  
 RS internal battery  
 Internal battery fixing hardware and exploded view  
 Internal battery removal. Information for Orbea dealers  
 RS Range Extender  
 Range Extender assembly  
 Connecting the Range Extender to Rise  
 Operation of the Range Extender  
 Battery level  
 Range Extender spares

## 12 RELEVANT INFORMATION ABOUT THE RS BATTERIES 72

## 13 SUSPENSION 77

Fox forks settings  
 Fox shocks settings

## 14 DECLARATION OF CONFORMITY 82

## 15 ADDITIONAL INFORMATION 83

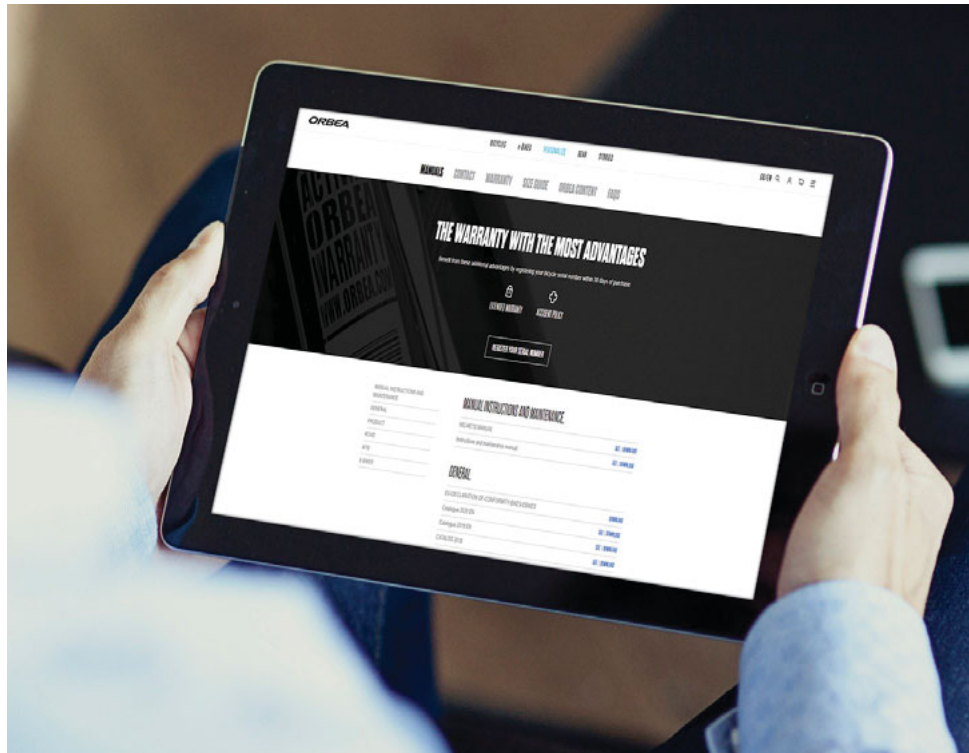
## 01 INTRODUCTION

This technical manual contains important information about your bicycle, its use, maintenance and replacement parts. Please read it carefully.

This document is a supplement to the General User's Manual for Orbea bicycles and components, which describes in a more detailed manner their appropriate use and the adjustment of the general components of the bicycles for safe riding and operation. You can see and download the User's Manual and the rest of the technical manuals for Orbea products from our website:

[www.orbea.com/es-es/soporte/manuales](http://www.orbea.com/es-es/soporte/manuales)

You can consult the information on the use, maintenance and characteristics of the components of other manufacturers that are assembled on our bicycles, such as wheels, handlebars, pedaling assistance systems, suspension forks, etc, on the manufacturer's website or through their dealer in your country.





## KEY TO SYMBOLS


Throughout this technical manual, various symbols are used that indicate instructions and warnings for use, maintenance and assembly. Pay attention to these symbols to avoid hazardous situations and ensure the correct use and assembly of all components.

The meaning of these symbols is explained below. In this manual, the symbol may appear accompanied only by the relevant instruction for the component described. Read the following information carefully in order to understand their meanings.


### SAFETY INSTRUCTIONS


 **DANGER:** Immediately hazardous situation. If not avoided, serious injury or even death will occur.

 **WARNING:** Potentially hazardous situation. If not avoided, serious injury or even death may occur.

 **CAUTION:** Potentially hazardous situation. If not avoided, minor or moderate injury may occur.

**NOTICE** Not related to injury. Property situation hazard.

 **RISK OF ELECTRIC SHOCK:** Dangerous situation. If not avoided, may cause serious injuries, or even death, due to electric shock.

 **RISK OF SHORT CIRCUIT:** Not observing the indications may cause components to short circuit. Potential damage to components and fire hazard.


*The symbols DANGER and WARNING inform about a dangerous situation that, if not avoided, may cause an accident. An accident while riding a bicycle always poses risk of serious injury or even death. In this manual, the risk of death may therefore not always be mentioned when these symbols appear, since the risk is explained here.*


### TOOLS AND TIGHTENING TORQUES

 SPANNER

 TORX KEY

 ALLEN KEY

 PHILLIPS SCREWDRIVER


 The key number is indicated inside the symbol.





10 N.m

**TIGHTENING TORQUES:** The corresponding tightening torque (in Newtons/meter) is indicated beneath the symbol of the tool to use for the element described.

### ASSEMBLY COMPOUNDS

 **OIL:** Light lubrication of elements like chains and cables.

 **GREASE:** High quality assembly grease to avoid creaking and seizing.

 **CARBON PASTE:** Carbon fiber assembly compound to increase friction between carbon fiber components.

 **LOCTITE SERIES 600:** Fixing cylindrical surfaces.

 **LOCTITE SERIES 200:** Threadlock. Medium resistance.

 **LOCTITE SERIES 400:** Instant adhesive.

## 02 ORBEA WARRANTY

Our continuous daily effort to provide maximum quality of our bicycles allows us to offer the following warranty and coverage conditions:

### LEGAL WARRANTY

Orbea offers the original owner of the Orbea bicycle, rigid fork or original component a legal warranty of 2 years from the date of purchase of the items, or the period stipulated as the legal warranty in the country of purchase.

This warranty covers all Orbea products against manufacturing defects and/or lack of compliance and guarantees the repair or replacement of the defective product at no cost to the affected customer. Likewise, this warranty also covers paint, varnish and corrosion defects on all frames and rigid forks assembled on our bicycles during the period specified in the previous paragraph of this warranty.

This warranty does not cover in any case damage derived from inappropriate use, falls or accidents or the lack of maintenance, as well as the normal wear and tear of consumable parts, such as, by way of example, but without limitation: seals, bearings, handlebar tape, spokes, tires, saddles, etc.

For a full description of the coverage conditions and the legal warranty, please visit:

[www.orbea.com/es-es/garantia](http://www.orbea.com/es-es/garantia)

### ORBEA LIFETIME WARRANTY

As a supplement to the legal warranty, Orbea offers the original buyer of the bicycle the Orbea lifetime commercial warranty, as long as they have registered their product on the Orbea website within 30 days of its purchase. This lifetime warranty covers the frames and rigid forks that we mount on our bicycles against manufacturing defects and material conformity issues with no time limitation.

This warranty extends the original period of coverage against paint, varnish or corrosion defects on the frames and rigid forks for one additional year after the end of the legal warranty period.

Orbea's lifetime commercial warranty only covers frames and rigid forks, but not OC components.

For a full description of the warranty conditions for the lifetime warranty, please visit:

[www.orbea.com/es-es/garantia/#garantia-deporvida-orbea](http://www.orbea.com/es-es/garantia/#garantia-deporvida-orbea)

## REGISTER YOUR BICYCLE

In order to benefit from the Orbea lifetime warranty extension, you must register your bicycle within 30 days of its purchase at:

[www.orbea.com/es-es/acceso-registro?from=register-plate/](http://www.orbea.com/es-es/acceso-registro?from=register-plate/)

### 01. REGISTER YOUR ACCOUNT

### 02. REGISTER YOUR BARCODE

### 03. WHERE TO FIND YOUR BARCODEA



## PEDELEC SYSTEM COMPONENTS WARRANTY

### SHIMANO STEPS COMPONENTS

The Shimano STEPS electric system components (motor, display, speed sensor, handlebar assist mode lever, EN100 junction and Di2 cables) are covered by a 2 year legal warranty from the moment of purchase of the bicycle or the component by the end consumer, or the legal warranty period in the country of purchase.

### ORBEA RS EXCLUSIVE COMPONENTS

The Orbea RS exclusive components of the pedelec system (RS internal battery, Range Extender, harness cable and power button) are covered by a 2 year legal warranty from the moment of purchase of the bicycle or the component by the end consumer, or the legal warranty period in the country of purchase.

This warranty covers all Shimano and Orbea products against manufacturing defects and/or lack of conformity and guarantees the repair or replacement of the faulty at no additional cost for the affected owner.

This warranty does not cover in any case damages derived from inadequate use, falls or accidents, incorrect installation, lack of maintenance or not observing the recommended indications of use, storage, charge, etc. described in this manual.

The loss of capacity of the RS batteries (internal battery and Range Extender) due to natural aging of the cells due to use, charge and storage is not covered by the terms of this warranty.

## 03 MAINTENANCE

### WARRANTY CLAIM PROCESS

All warranty claims must be processed through an authorized Orbea dealer, who will perform the initial diagnosis and send Orbea, Shimano or the affected component manufacturer all the necessary documentation for a complete diagnosis of the claim in question. The dealer will inform the owner about the status of the process and the decision made on the warranty claim by Orbea, Shimano or the component manufacturer.

#### WARRANTY CLAIMS AND REPAIRS OF COMPONENTS OF THE PEDELEC SYSTEM

**SHIMANO:** The warranty or repair claims of the following components of the pedelec system will be processed through Shimano.

- Shimano EP8 RS motor.
- SC-EN800 display.
- EW-EN100 junction.
- Speed sensor.
- Shimano STEPS/Di2 specific cables.
- Handlebar remote levers SW-EM800L / EM7000-L.

**ORBEA:** The warranty or repair claims of the following components of the pedelec system will be processed through Orbea.

- RS Range Extender battery.
- Orbea RS 360 Wh internal battery
- Harness cable and charge port.
- Pedelec system power button.

We recommend that you always visit the dealer where you purchased your bicycle to process a warranty claim, or the dealer you chose during the process of purchasing a bicycle that was delivered directly to your home. If you cannot visit the original dealer, you can check the list of authorized dealers on our website or contact Orbea directly so we can indicate the dealer you should visit.

[www.orbea.com/es-es/distribuidores/?country](http://www.orbea.com/es-es/distribuidores/?country)

[www.orbea.com/es-es/contacto/](http://www.orbea.com/es-es/contacto/)


Orbea products are carefully designed to be long-lasting, efficient and easy to maintain. The carbon and aluminum frames and forks are extremely corrosion-resistant.

However, your bicycle needs regular maintenance of its components in order to ensure that it works properly and safely, and to ensure its longevity.

#### KEEP YOUR BICYCLE CLEAN

Clean your bicycle with mild soap and water on a regular basis to keep it working like new, and check the condition of the frame and its components. Do not use pressurized water, since it could damage components like bearings or the tubes of the frame.


Citrus-based degreasers are biodegradable and very effective in removing grease from drivetrain components and the chain.

 Accumulated dirt can complicate the visual inspection of the components and hide damage that could potentially cause malfunctions or accidents.

**NOTICE** Built-up dirt causes the premature wear of components and can even damage the bicycle frame in areas such as the bearing housings and moving parts. Damage due to the lack of cleaning and maintenance is not covered by the warranty.

#### KEEP YOUR DRIVETRAIN LUBRICATED

Once you have cleaned your bicycle, lubricate the drivetrain, specifically the chain. Use the minimum amount necessary to lubricate the links, removing any excess amounts to prevent them from attracting dirt, causing the drivetrain to not work properly and the premature wear of the components.

 Avoid the use of aerosol lubricants to prevent them from adhering to the brake surfaces. Always check the brakes after lubricating the drivetrain.

#### INSPECT YOUR BICYCLE BEFORE EVERY RIDE

Do a quick check before each ride to make sure that your bicycle is in optimal operating conditions. You might discover small problems that could turn into major issues during the ride.

**FRAME:** Inspect the frame and the fork, looking for cracks or other damage. No strange noises should be heard. In the event of any damage to the frame, avoid using the bicycle and contact your authorized dealer for inspection.

**CHAIN:** Ensure it's clean and lubricated. The drivetrain should not make any abnormal noises.

**BRAKES:** Check that the brakes operate properly and in a safe manner. Check the tightening torques of the components.

**TIRES:** Check for worn tires and look for cuts on the tread or sides. If you spot damage, replace the tire. Make sure that the tire pressure is adequate.

**WHEELS:** Check that the wheels turn smoothly and show no signs of lateral deviations. Turn the wheel slightly from side to side to check that there is no lateral play in the bearings. Make sure that there are no broken or loose spokes. Check that the axles or quick-release levers are securely tightened with the correct tightening torque.

**HEADSET:** Activate the front brake and move the front part of the bicycle back and forth, applying pressure on the handlebars with the rear wheel on the ground. Check for strange noises or movement of the headset, which could indicate that the bearings are worn or the headset has not been correctly tightened. Once the headset is correctly adjusted, check that it turns smoothly.

**LINKAGE PIVOT POINTS:** On full suspension bicycles, check that all the linkage pivot points rotate smoothly and show no signs of play in the bearings. Pull the linkages from side to side on the bicycle and pay attention to any noise or play at the pivot points. If the linkages do not operate smoothly or show signs of play, it could be a sign that the tightening torques are incorrect or that the bearings are worn or damaged.

**BEARINGS:** The bearings (bottom bracket, linkage pivot points, headset, wheels, etc.) are elements subject to wear that must be inspected on a regular basis to ensure that they operate correctly. Bearings in poor condition can damage the components in which they are installed. Adverse weather conditions speed up bearing wear. Bearings that have excessive play or that do not turn smoothly must be replaced immediately. In the case of any doubt, consult your authorized dealer.


**NOTICE** Damage to components like the frame, bicycle wheels, etc. associated with the lack of maintenance and the replacement of the bearings are not covered by the warranty conditions.

**PEDELEC SYSTEM:** Turn the bicycle on and check that the electric assist system functions correctly. Ensure there is electric assistance and that all components operate correctly.

If there is no electric assistance, inspect all the connections between the components and the condition of the components and the cables (cables are components that show damage must be replaced).

Check for errors in the electric system. The SC-EN800 display will show the error code if there was any. The EW-EN100 junction will show any errors with the two LED lights blinking in red. Connect the bicycle to the Etube Project app for smartphones to know the error code.

Knowing the error code, follow the recommended solution on the app or read the Shimano STEPS manual for the troubleshooting procedure. If the error persists after following the recommended solution or if a solution is not possible to be applied by the consumer, take your bicycle to an authorized dealer for a complete diagnosis and repair.

 Failure to follow the recommendations outlined in this manual and riding a bicycle that shows signs of the symptoms described above may cause accidents and serious injuries.



**TIGHTENING TORQUES.** Always check the tightening torques and install the components described in this manual according to the tightening torque specifications. Follow the tightening torque specifications for components from other manufacturers installed on your Orbea bicycle. The failure to follow these specifications may lead to the malfunction of the components, accidents and even death.

## MAINTENANCE SCHEDULE OF THE COMPONENTS

### NOTICE

Maintenance periods for the components indicated below are general guidelines and largely depend on factors such as weather conditions in which your bicycle is ridden (adverse conditions considerably reduce the life of the components and increase maintenance frequency), the cleanliness of your bicycle and its components (components with accumulated dirt wear more quickly), and use (more demanding use of the bicycle will require more frequent maintenance periods).

For components from other brands mounted on Orbea bicycles, you can check the recommended or mandatory maintenance periods on the manufacturer's website or by contacting the distributor of that brand in your country.

### NOTICE

Damage to components as a result of failing to follow the recommended maintenance periods could result in damage that is not covered by the warranty conditions of Orbea or the component manufacturer.



The failure to comply with maintenance periods could result in damage to the components and lead to malfunctions and accidents.

### HEADSET:

- Inspection of its operation before each ride.
- Disassembly and manual inspection of the bearings once every 6 months of use.

### BOTTOM BRACKET:

- Inspection of its operation before each ride.
- Disassembly and manual inspection of the bearings once every 6 months of use.

### DRIVETRAIN:

- Inspection of its operation before each ride.
- Regular inspection of chain wear every 500 km. A chain that is worn beyond the manufacturer's recommendations must be replaced to prevent damage to the rest of the drivetrain components. The failure to observe the manufacturer's recommendations in terms of wear could necessitate the replacement of the rest of the parts of the drivetrain.

### WHEELS:

- Inspection of its operation before each ride.
- Disassembly and manual inspection of the bearings and all components once every 6 months.

### SHOCKS AND SUSPENSION FORKS:

- Inspection of its operation before each ride.
- Inspection and full maintenance every 125 hours or once a year (whichever occurs first) by the manufacturer's authorized dealer.

### TELESCOPIC SEAT POSTS:

- Inspection of its operation before each ride.
- Inspection and full maintenance every 125 hours or once a year (whichever occurs first) by the manufacturer's authorized dealer.

### PIVOT POINTS ON FULL SUSPENSION FRAMES:

- Inspection of its operation before each ride.
- Disassembly of the frame and the manual inspection of all the bearings every 125 hours of use or once a year (whichever occurs first). These times may be shorter depending on the conditions in which the bicycle is ridden. More demanding use of the bicycle or use in adverse weather conditions or in mud requires the disassembly and inspection of the frame once every 75 hours of use or once every 6 months (whichever comes first). If a bearing does not turn smoothly or has excessive play, it must be replaced immediately.

### GEAR CABLES AND HOUSING:

- Inspection of its operation before each ride.
- Replacement of gear cables every 6 months to 1 year depending on the conditions in which the bicycle is used.

### BRAKES:

- Inspection of the operation and wear of the brake pads or shoes before each ride.
- Check the wear on disc brakes and the cables or hydraulic lines every 6 months to 1 year depending on the conditions in which the bicycle is used. Flush the hydraulic lines once a year.

### PEDELEC SYSTEM COMPONENTS:

Regularly check the connections and cables of the ebike system components. The connections must be clean and free of debris and foreign objects. The cables must be in good condition and free of cuts or kinks and bends that may cause short circuits and lack of electric assistance.

The exterior of the controllers and batteries should not show signs of damage that may allow water and other elements to ingress within.

If you notice any damage to the components, contact your Orbea dealer for a professional diagnosis and/or replacement.

### NOTICE

Read the Warnings of Use and the Relevant information about the RS batteries sections of this manual to know about the correct care of the electric components.

### PEDELEC SYSTEM UPDATES:

The ebike systems manufacturers may develop improvements and updates of their pedelec systems overtime that improve the system or fix existing problems.

Some updates in the STEPS system can be performed by the end consumer via Bluetooth® connecting the bicycle to the Shimano Etube Project app.

### NOTICE

When performing a system update via Bluetooth® using the Shimano Etube Project mobile app, it is recommended to disable all the Wifi and network connectivity on your phone to avoid that an incoming call or message may interrupt the update.

### NOTICE

In case the update is interrupted and this causes any malfunction in the system, take your bicycle to an authorized Orbea dealer to complete the update using the SM-PCE02 dealer interface.

Read here the Etube Project app manual:

<https://si.shimano.com/#/en/iUM/7J4MA/>

Other updates must be performed by an authorized dealer. Remind your dealer to check for available updates when you take your bicycle in for repairs or maintenance.



Some of these checks and maintenance needs go beyond the mechanical knowledge of most bicycle users. If you are not qualified to perform the necessary maintenance, always visit an Orbea dealer for maintenance on your bicycle and its components. The failure to perform proper maintenance can result in malfunctions and accidents with serious consequences.

### NOTICE

Maintenance performed incorrectly can damage the components, which are not covered by the warranty conditions.

## REPLACEMENT PARTS

Always use original Orbea or Shimano replacement parts or those from the component manufacturer in question.



The use of non-original replacement parts may cause damage that results in malfunctions and accidents with serious consequences.



The installation of some of the replacement parts in this technical manual are beyond the mechanical knowledge of most bicycle users. If you are not qualified to install these replacement parts, always visit an Orbea dealer for maintenance on your bicycle and its components. The failure to properly install replacement parts can result in malfunctions, accidents and serious injuries.

**NOTICE** The installation of non-original replacement parts can damage your bicycle and is not covered by the warranty conditions.

## AFTER A CRASH OR AN IMPACT

Falling off your bike is part of cycling. If you have an accident on your Orbea bicycle, be sure that you're okay and seek medical care, if necessary. If you are uninjured, you should check the condition of your bicycle before continuing to ride.

### INSPECT THE FRAME AND THE BICYCLE COMPONENTS TO SEE IF THEY HAVE BEEN DAMAGED IN ANY WAY

If you detect any problem, do not continue to ride the bicycle.

#### POINTS TO CHECK

Inspect the frame and the fork to identify whether either of these components have been broken or bent. If you detect any damage or cracks, you must stop using the bicycle immediately. On carbon frames, look for cracks or soft spots in the carbon. If you detect any of these symptoms, you must stop using the bicycle immediately.

**⚠** The materials used on carbon frames and forks are rigid and strong, but if overloaded or if they suffer an impact, the fibers do not bend, and they will break. A strong enough impact to this material could cause damage that, while not visible at first glance, could cause the materials to fail in the future. In the case of any doubt about the consequences of a fall or accident, contact your Orbea dealer for a correct diagnosis of the materials.

Check the drivetrain and the wheels to make sure that the components operate correctly. If you discover any damage to the components, stop using the bicycle immediately.

Even if you do not observe any damage, pay close attention to the sound of your bicycle when you ride it again. Damage and other problems can cause unusual noises.

If you notice any unusual noise, stop using your bicycle immediately and contact your Orbea dealer for a correct diagnosis of the problem.

### TAKE YOUR ORBEA BICYCLE TO AN AUTHORIZED DEALER FOR A PROFESSIONAL INSPECTION

Some of the consequences of a fall or accident can only be detected by completely disassembling the bicycle to check for the presence of damage or other signs of deterioration.

**⚠** A collision or impact can cause serious damage to your bicycle and its components, causing them to malfunction or wear out prematurely. Malfunctions can occur suddenly and without notice, causing you to lose control of your bicycle and suffer serious injuries, or even death.

## 04 USE WARNINGS. RISE

### MAXIMUM TYRE WIDTH

This technical manual specifies the maximum size of the tyres that can be mounted on the frame. Always follow these guidelines when installing tyres on your bicycle.

However, the real measurements of the tyre circumference and width may change from one manufacturer to another. When installing a tyre other than that originally mounted on your Orbea bicycle, check that there is at least 6 mm between the top and the sides of the tyre and any part of the frame.

**NOTICE** Damage to the frame or components due to the use of a tyre that does not comply with these measurements is not covered by the warranty conditions.

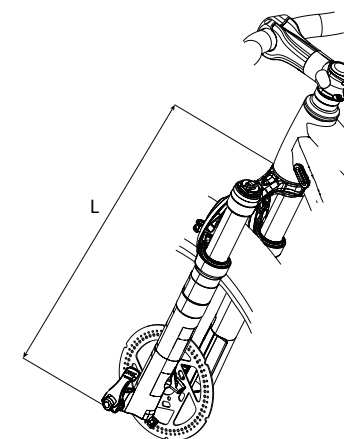
### MINIMUM SEATPOST INSERTION

**⚠** Always follow the specifications regarding the minimum insertion depth of the seatpost or the frame on road bicycles with exclusive Orbea seatposts. The failure to follow these instructions can cause stresses on the materials beyond the conditions for which they were designed and cause damage not covered by the warranty conditions, as well as accidents that can result in serious injuries.

### MAXIMUM FORK LENGTH (AXLE TO CROWN)

Always abide by the maximum fork length listed in the technical specifications section of this manual. The maximum fork length refers to the distance between the fork axle and the bottom part of the head tube (axle to crown).

**⚠** The failure to abide by this measurement and install forks with a length greater than the maximum specifications can force the frame beyond its design characteristics, possibly resulting in malfunctions of the material that could cause accidents and serious injuries.

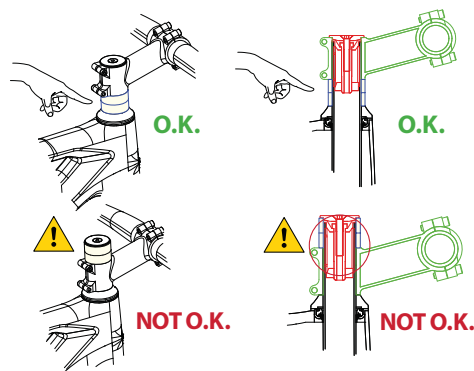


### MAXIMUM NUMBER OF HEADSET SPACERS

**⚠** Never use more headset spacers below the stem than those specified for the frame. Consult the specifications tables to find out the maximum number of headset spacers that are acceptable for use on an Orbea frame. Installing more spacers than those permitted can stress the materials beyond the use for which they were designed, which can cause accidents and serious injuries.



## POSITION OF THE STAR NUT INSIDE THE STEERER TUBE. HEADSET SPACERS ABOVE THE STEM



**⚠** Never install headset spacers above the stem. Placing spacers above the stem, especially on forks with a carbon steerer tube, can cause the expander inside the fork tube to be positioned above the lower limit of the steerer tube, which can stress the materials beyond the use for which they were designed, possibly causing accidents and serious injuries.

**⚠** The length of the fork steerer tube must always be appropriate for the position of the stem in the fork. The stem must always be installed in the steerer tube of the fork so that both fastening bolts on the back of the stem are positioned above the surface of the steerer tube of the fork. Never mount the stem so that the top fastening bolt of the stem remains above the top edge of the fork steerer tube. This will stress the materials beyond the use for which they were designed, possibly causing accidents and serious injuries.

## INTENDED USE

The intended use of all models is ASTM Condition 4, that includes Condition 1, 2 and 3 as well as technical natural trails with greater negative gradient and therefore greater speeds.

Jumps and drops are frequent and moderate. These models, given the terrain they are used on, must be inspected after every use.

The use of a bicycle on this terrain requires technical skills and may cause beginners to sustain injuries.

For information about all ASTM categories, consult the General User Manual.



## 05 USE WARNINGS. PEDELEC SYSTEM COMPONENTS

### USE AND CARE WARNING OF THE ELECTRIC SYSTEM COMPONENTS AND THE BATTERIES

- Do not wash your bike with a pressure washer or submerge it or the electric system components. All the pedelec system components are protected against rain and splashes. However, the use of pressure washers may allow water to ingress into the components and damage them.

- Avoid transporting your bicycle outside your car when it is raining. All the pedelec system components are protected against rain and splashes. However, the speed of your vehicle may increase the effects of the rain and damage the components.

- Do not leave your bicycle exposed to high temperatures for long periods of time. It may damage the components on your bicycle. Temperatures above 70°C may cause leakages and fire hazards.

- Observe the recommended temperature ranges of use (discharge), charge and storage (internal battery). The use, charge and storage outside these recommended temperature ranges may affect the battery cells and reduce their life and available range.

The following table shows the maximum and minimum ranges stated by the cell manufacturer.

Generally, **the use, charge and storage of batteries below 0°C will affect the available range for charge of a battery and overtime may reduce the battery life.**

#### TEMPERATURE RANGES

Charge	0°C - 40°C
Discharge (Use)	-10°C - 50°C
Storage	0°C - 35°C

- Avoid storing your bicycle (internal battery) or Range Extender for long periods of time without monitoring the charge levels.

If planning to store the battery for a long period of time, charge the battery to 70% of its capacity and check the charge level every 3 months to charge if necessary. Never let the charge level to drop below 10% to avoid damaging the cells.

**USE OF THE BATTERY BELOW 10% CHARGE:** Avoid discharging your battery regularly below 10% of charge. Charge levels below 10% may affect the life of the cells and the battery balance.

- Avoid charging the bike continuously for more than 5 straight hours and always charge your bicycle or battery in a place where you have visual access to it so the charger can be disconnected if any anomaly is detected, such as smoke, strange smells or fire.

- Avoid hitting or dropping your battery. If after a fall or an impact the external casing of the battery has been damaged, do not charge or use the battery and contact your authorized dealer for a full diagnosis.

- Always connect the cables following the orientation indications on the connectors. Connecting the cables not following the correct orientation may damage the terminals.

- Before every use, make sure that the charging point cover is installed correctly to avoid dirt or water ingress into the port.

Do not use metallic tools to clean the charging point of foreign objects or dirt. Pay attention not to damage the terminals during this process.

**NOTICE** Read the Relevant Information about the RS Batteries of this manual for more detailed information on the use, care and troubleshooting procedures of the RS internal battery and Range Extender.

Consult Shimano documentation about the STEPS EP8 system and its components:

· **User manual:**

<https://si.shimano.com/api/publish/storage/pdf/en/um/7HCOA/UM-7HCOA-000-ENG.pdf>

· **Dealer manual:**

<https://si.shimano.com/api/publish/storage/pdf/en/dm/EP800/DM-EP800-01-ENG.pdf>

\* The RS internal battery and the RS Range Extender external battery are exclusive from Orbea. Read the batteries manual in the dedicated sections of this Blue Paper.

## RANGE

The Shimano EP8 RS motor, together with the RS batteries, have been designed to offer the maximum possible range for a system of its reduced size and weight.

The system offers ranges of up to 4,5 hours using the internal battery (360 Wh) and up to 8 hours using both the internal battery and the Range Extender (252 Wh) using the ECO assist mode.

The final available range, will greatly depend on factor such as:

- **ASSIST MODE:** The use of the more powerful assist modes will decrease the available range.
- **ASSIST PROFILE:** The assist profile selected through the Shimano Etube Project app will affect the available range. Selecting the assist profile 2 increases the power level of the assist modes, which may affect the range available.
- **ASSIST MODES CUSTOMIZATION:** The approximate range values given below refer to the use of the assist modes as they were originally programmed by Orbea. The customization of the assist modes power output through the Etube Project app will affect the final range of the system.

- **TEMPERATURE:** Charging and using the battery in low temperatures will affect the available range.

- Total weight of cyclist/equipment/luggage.

- Pedal power provided by the cyclist.

- **TERRAIN AND CLIMBING:** The use on deteriorated roads and routes with considerable altitude gain will affect the available range per charge.

- Frequent stops and accelerations may affect the available range.

### APPROXIMATE RANGE TABLE:

INTERNAL BATTERY 360 Wh			
ASSIST MODE	ECO	TRAIL	BOOST
APPROX. USE TIME (hours)	4.5	3	2
ACCUMULATED ELEVATION (meters)	2.500	1.700	1.200
WITH RANGE EXTENDER 612 Wh (360+252 Wh)			
ASSIST MODE	ECO		
APPROX. USE TIME (hours)	8		
ACCUMULATED ELEVATION (meters)	4.000		

## ELECTRIC BICYCLE BATTERY TRANSPORT

The transport of the RS internal battery and the external Range Extender battery should be in accordance with the transport rules and regulations of this type of article. The units must always be transported or sent using the original certified packaging and a certified shipping company. Please find information regarding these conditions of transport from your country's authorities.

If the Range Extender or the internal battery must be sent to Orbea or Shimano for repairs or diagnosis, it must be in the original certified packaging and via a shipping company equipped for battery shipment. Orbea can inform you of the best option.

## ELECTRIC BICYCLE TRANSPORT

If you intend to travel with your electric bicycle, research the transport conditions for batteries according to the airline you plan on using to transport your bicycle. The majority of commercial airlines do not permit transport of batteries with a capacity larger than 100 Wh.



## 06 USE OF RISE

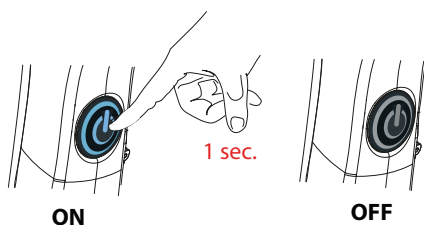
This section describes the basic operation of the Shimano STEPS EP8 system on Rise and the exclusive functions of the EP8 RS for Orbea.

Read the Shimano STEPS EP8 user manual here:

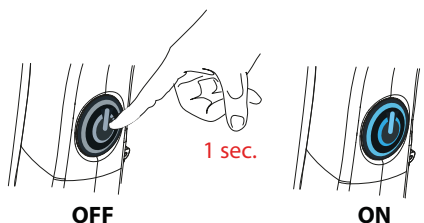
<https://si.shimano.com/api/publish/storage/pdf/en/um/7HCOA/UM-7HCOA-000-ENG.pdf>

### TURNING RISE ON/OFF

To turn Rise on, press and hold the seat tube power button for one second.



To switch Rise off, press and hold the seat tube power button for one second.

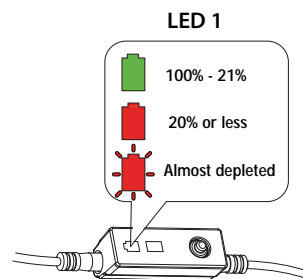


### CHECKING THE BATTERY LEVEL

The battery level in Rise can be checked in different ways, depending on what display option you chose.

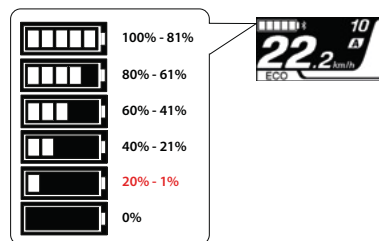
#### COMBINED BATTERY LEVEL OF INTERNAL BATTERY AND RANGE EXTENDER:

When a Range Extender is connected to the bicycle, the system will calculate the combined capacity of both the internal battery and the Range Extender. The remaining battery level shown in the ways below will be the combination of both batteries taking into account the total capacity of the system.



· **WITH SHIMANO EW-EN100 JUNCTION:** With the bicycle on, the Shimano EW-EN100 junction will show in the LED1 the remaining battery charge of the battery(ies). The LED1 will display a green light until the battery charge is below 21%, after which the LED1 will show a red light. When the battery is almost depleted, the LED1 will blink in red.

Avoid discharging the battery repeatedly below 10% of charge. This may affect the lifespan of the cells.



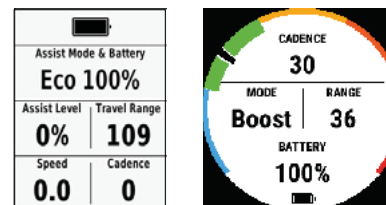
· **WITH SHIMANO SC-EM800 DISPLAY:** In assemblies with the Shimano SC-EM800 display, the battery(ies) charge level will be shown on the screen.

#### · COMPATIBLE GARMIN UNITS. ORBEA RS TOOLBOX:

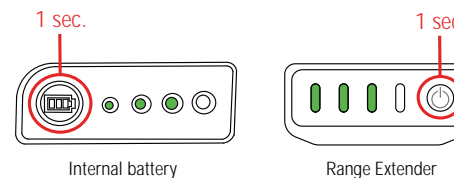
The Orbea RS Toolbox data field for Garmin units allows you to access relevant information of your Rise, like the remaining battery level, which is shown as a percentage of the total capacity of the system.

**NOTICE** If during an activity the battery level is not visible on Orbea RS Toolbox, the battery level percentage will be visible again when the battery level drops by 1%. At that moment, the EP8 system will communicate the battery level via ANT Private to the Garmin unit and the battery level will be displayed.

Read how to download and install the Orbea RS Toolbox data field on your compatible Garmin unit in the dedicated section of this manual.



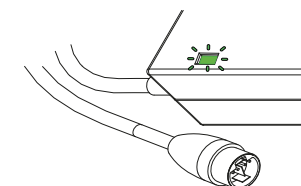
· **ORBEA RS BATTERIES:** Press and hold for 1 second the main button of the Orbea RS battery (internal battery or Range Extender) for the remaining battery level to be displayed. The LED lights will show the remaining charge in 25% increments.



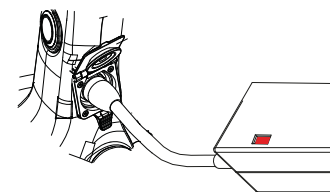
### CHARGING THE BATTERIES

**NOTICE** Before using the internal battery or the Range Extender for the first time, completely charge the batteries

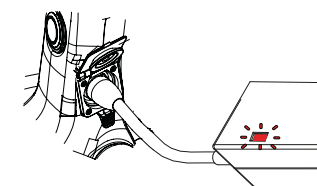
· **ORBEA RS INTERNAL BATTERY:** To charge the internal battery on Rise, plug the RS charger to the mains outlet. With the charger not being connected to the bicycle the LED on the charger's body will blink in green.



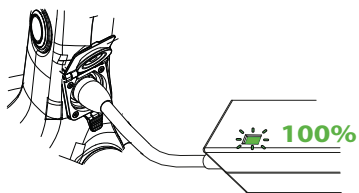
Open the charging port cover on the bicycle and connect the charger to Rise. The LED on the charger's body will show a permanent red light while the battery is being charged.



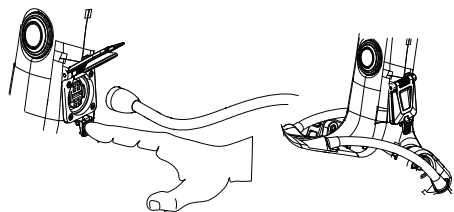
**NOTICE** If the charger's LED blinks in red when connecting the charger to the bicycle or the Range Extender, there is a charging anomaly. Immediately disconnect the charger and contact an authorized dealer.



When the battery is fully charged, the charger's LED will blink in green to let you know that the charge is completed.



Disconnect the charger from the bicycle's charging port by pressing on the lower tab of the charging port and carefully pulling from the charger's cable. Make sure the charging port's cover is correctly closed.



While the charger is connected to Rise, the bicycle cannot be powered on. If you want to know the exact internal battery level at a given time, disconnect the charger from the bicycle, turn Rise on, and connect it to your Garmin unit with Orbea RS Toolbox.

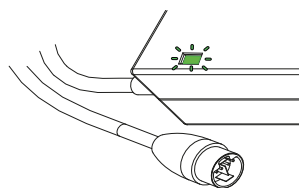
On assemblies with the Shimano SC-EM800 display, disconnect the charger and power the bicycle on to see the current battery level on the display's screen.

Avoid discharging your battery repeatedly below 10%.

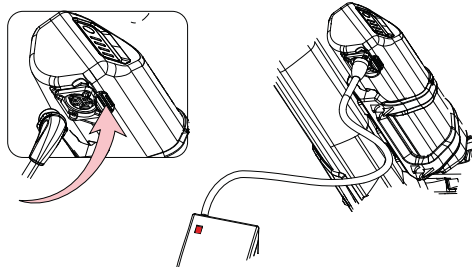
Avoid leaving the charger connected to the battery for more than 5 hours continuously and try to charge the battery in a place where you can disconnect the charger in case of any anomaly like smoke, a burning smell or fire.

The lithium-ion batteries are sensitive to temperature during the charging process. Observe the use, charge and storage temperature ranges described in this manual.

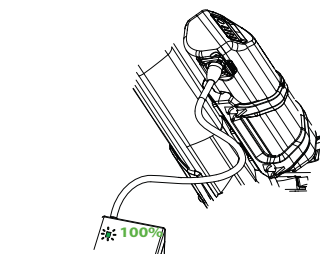
**RS RANGE EXTENDER BATTERY:** To charge the Range Extender, plug the charger to the mains outlet. With the charger not being connected to the bicycle the LED on the charger's body will blink in green.



Remove the Range Extender connection cable from the Range Extender charging point by pressing on the lower tab of the charging port and connect the charger to the Range Extender. The LED on the charger's body will show a permanent red light while the battery is being charged.

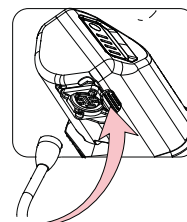


When the battery is fully charged, the charger's LED will blink in green to let you know that the charge is completed.



While the Range Extender is charging, the charge level indicator LEDs will show the current battery level.

When the battery is fully charged, disconnect the charger by pressing on the lower tab of the charging port and carefully pulling from the charger's cable.



Avoid discharging your battery repeatedly below 10%.

Avoid leaving the charger connected to the battery for more than 5 hours continuously and try to charge the battery in a place where you can disconnect the charger in case of any anomaly like smoke, a burning smell or fire.

The lithium-ion batteries are sensitive to temperature during the charging process. Observe the use, charge and storage temperature ranges described in this manual.

**NOTICE** Read the Relevant Information about the RS Batteries of this manual for more detailed information on the use, care and troubleshooting procedures of the RS internal battery and Range Extender.

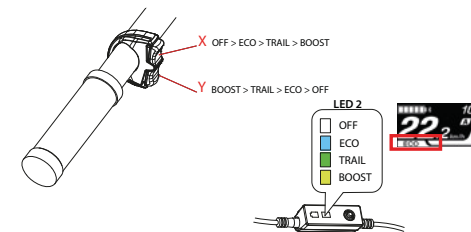
## CHANGING THE ASSIST MODE

**WITH SHIMANO SW-EM800 / SW-E7000-L REMOTE LEVERS:** To change between assist modes with the SW-EM800 (assemblies with SC-EM800 display) or the SW-E7000-L (assemblies with EW-EN junction) levers, press the X button to increase the assist mode up until the maximum available (Boost). Press the Y button to decrease the assist level until the no-assist mode is reached.

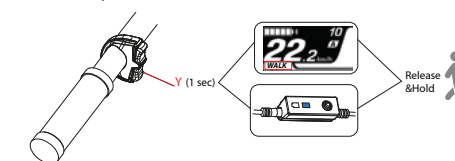
The available assist modes are:

- OFF (no electric assist)
- ECO
- TRAIL
- BOOST

When changing between assist modes, the LED2 on the EW-EN junction will change colour to show the current assist mode. On assemblies with display, the current assist mode will be shown on the screen.

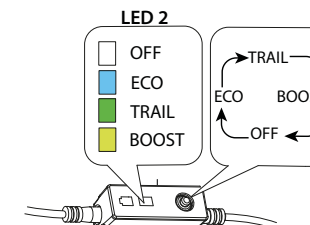


**WALK ASSIST:** To activate Walk Assist, press the W-EM800 / SW-E7000-L remote lever button Y for 1 second until the word WALK appears on the EM800 display or the LED2 of the EN100 junction shows a blue light. Release the Y button and press it again to engage Walk Assist. The system will help you push the bike along as long as the Y button is pressed.



**WITH THE EW-EN100 JUNCTION:** It is also possible to change between assist modes by pressing the button on the Shimano EW-EN100 junction. Press the button once to change to the next assist mode up. When the Boost mode has been reached, if pressed again, the system will go back to the assist Off mode.

Do not use the junction to change between assist modes while riding, as lifting your hand off the handlebar may cause accidents and serious injuries.



The torque levels of each assist mode can be customized using the Shimano Etube Project smartphone app to adjust Rise to your needs.

The Shimano EP8 RS motor allows you to choose between two assist profiles. Within each profile, the assist modes can be modified independently.

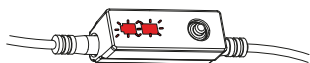
Read the Shimano Etube Project app section of this manual to learn about how to change between the assist profiles and modify the assist modes.

Read the complete Shimano Etube Project app manual on the link below:

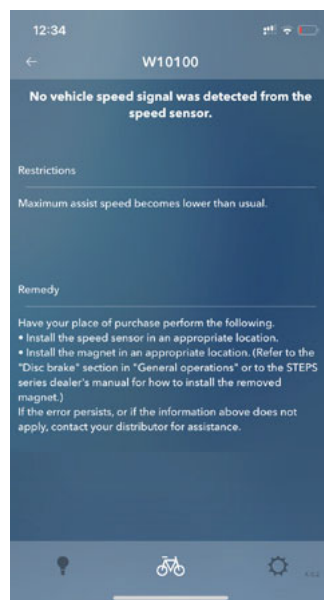
[https://si.shimano.com/#/en/iUM/7J4MA/customization/TOC\\_CUSTOMIZATION](https://si.shimano.com/#/en/iUM/7J4MA/customization/TOC_CUSTOMIZATION)

## SYSTEM ERRORS

When an error is detected in the system, both LED on the EW-EN100 junction will blink in red. In assemblies with the SC-EM800 display, the error code will be shown on the screen.



Turn the bicycle Off and On again and connect it to the Shimano Etube Project app. The error code and the troubleshooting procedure will be shown on the section Maintenance>Error Log. You can also consult the EP8 system manual for the error codes and their solutions.



## 07 ORBEA RS TOOLBOX

### RISE DATA DISPLAY ON COMPATIBLE GARMIN UNITS

### INSTALL AND UNLOCK ORBEA RS TOOLBOX ON GARMIN DEVICES. GARMIN CONNECT APP

Orbea RS Toolbox is an app for Garmin compatible devices exclusive for Rise owners. It is added to your Garmin device as a data field and allows you to access relevant information of your Rise while riding.

**NOTICE** The following method describes how to install and unlock Orbea RS Toolbox on your Garmin device using the smartphone app Garmin Connect through a Bluetooth connection. You use the same procedure on your PC or Mac using Garmin Express, connecting your device to your computer using a USB cable.

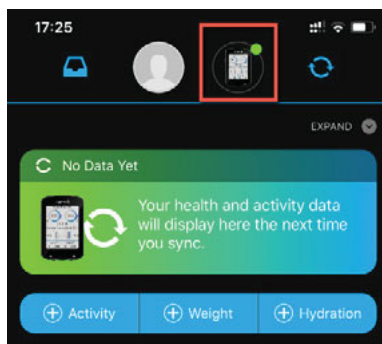
**NOTICE** To unlock Orbea RS Toolbox on your Garmin device, you must have registered your new Rise's barcode on Orbea's website, which also lets you enjoy the Life Warranty on your new frame. Go to Orbea's website and register your bike's barcode, creating an account first if you do not have one yet.

[www.orbea.com/es-es/access-register](http://www.orbea.com/es-es/access-register)

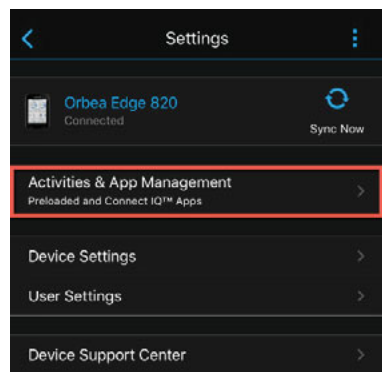
Your bicycle's barcode is an 11-digit code you will find on the bicycle's frame:



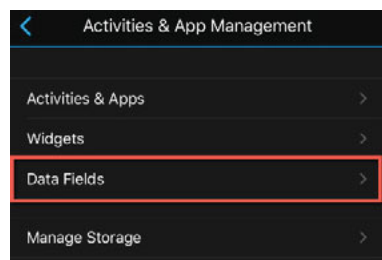
1. After you have registered your Rise on Orbea's website, open the Garmin Connect app on your smartphone and connect your device via Bluetooth. You can download and install Garmin Connect for Google Play or Apple Store.



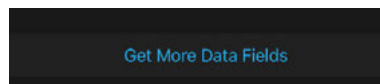
2. Select "Activities and App Management".



3. Select "Data Fields".



4. Select "Get More Data Fields".

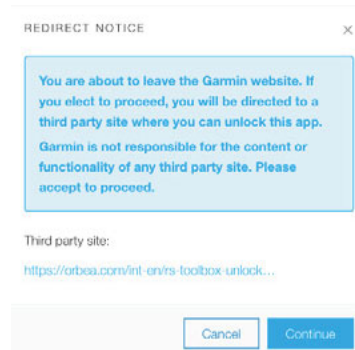


5. Search "Orbea RS Toolbox" in the Garmin IQ Store. Select Unlock Orbea RS Toolbox.

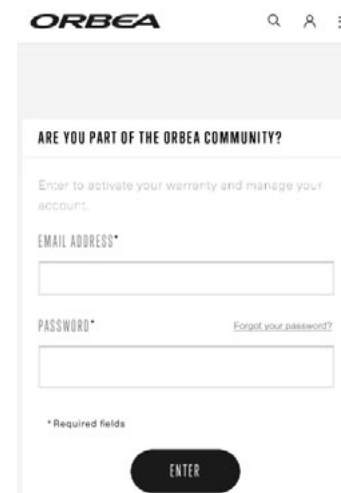


**NOTICE** If you cannot see the app Orbea RS Toolbox in the IQ Store, your device is not compatible with the app. We are working to include new devices every day, contact Orbea if you need more information.

6. A message will inform you that you are about to leave the IQ Store. Accept to be redirected to Orbea's activation website.



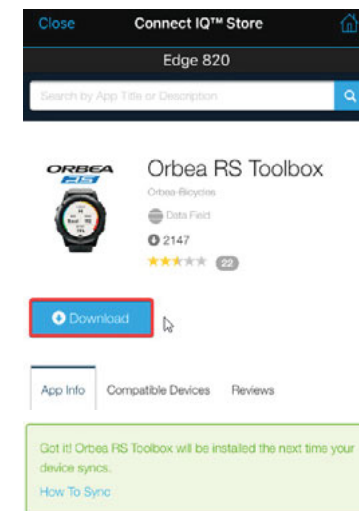
7. Input your login details to your Orbea account.



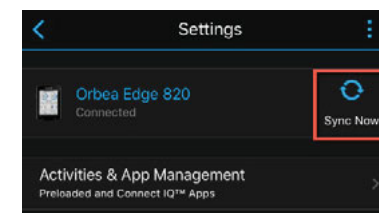
8. If you had already registered your Rise barcode, a message will inform your Garmin device has been unlocked.

9. Go back to Garmin Connect on your phone. You will notice that the Unlock button is still visible on the Orbea RS Toolbox screen. **Type again Orbea RS Toolbox on the search field of Garmin Connect and select Toolbox.** Now the Unlock button will have disappeared and only the Download button will be visible.

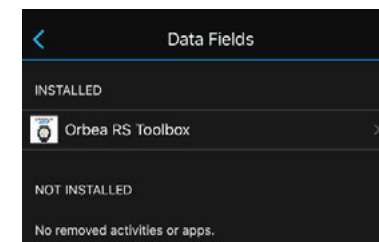
Download Orbea RS Toolbox. A message will inform you that the app will be installed the next time you synchronize your device.



10. Go to Garmin Connect on your smartphone and synchronize your Garmin device with the app.



11. Go to "Activities and App Management > Data Fields" You will see Orbea Toolbox installed on your device. If Toolbox is visible but it is not installed, synchronize your device.



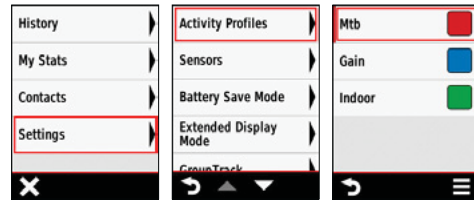
## ENABLING ORBEA RS TOOLBOX IN YOUR DEVICE

After downloading and unlocking Toolbox through Garmin Express (PC or Mac) or Garmin Connect (smartphones) and synchronizing your Garmin unit, activate the visualization of the data fields in your device.

Below is shown the method to display the Toolbox data field on both Garmin Edge and watches compatible units.

1. Turn on your Rise and the unit you have installed Orbea RS Toolbox on, they will pair automatically.

2. Access Activity Profiles from the Setting menu in your device and choose the profile you want to use Rise with.

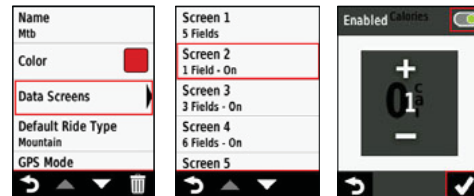


Garmin Edge units



Garmin watches

3. Select "Data Fields" and the page of the activity profile on which you want to see the data from your Rise. Enable the data page and choose to see one data field on the page.



Garmin Edge units



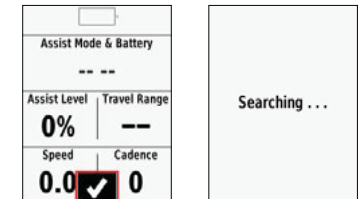
Garmin watches

4. Scroll through the data to be seen on the screen. Select Connect IQ and choose Orbea RS Toolbox.

If you had not connected your Rise before setting up Toolbox on your device, the unit will show the message "Searching..." after selecting the Orbea RS Toolbox data field. When you turn on your bicycle and access the page where you chose to see Toolbox, the data from your Rise will be visible.



Garmin watches

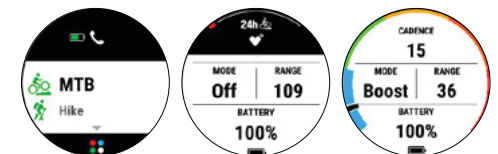


Garmin Edge units

5. With Rise turned on, access the activity profile on which you selected to see the data from Toolbox or start recording an activity on this profile with your Garmin unit. Navigate to the page you selected to see Toolbox on to access the real-time data from your Rise.



Garmin Edge units



Garmin watches

## USING ORBEA TOOLBOX

### NOTICE

Orbea RS Toolbox is not compatible with the use of the Garmin Edge Shimo-no STEPS native app on Edge 530, 830, 1030, and 1030 Plus devices. Disconnect or delete your bicycle from the sensors list of your Edge unit before trying to connect Orbea RS Toolbox before each use. This limitation does not come from Toolbox, but from Garmin.

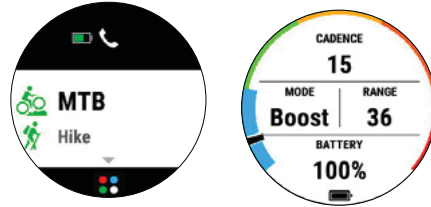
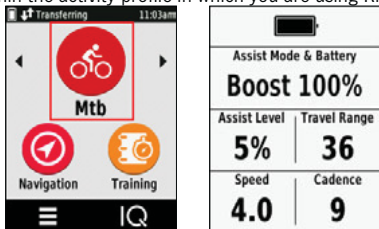
### CONNECT YOUR RISE TO ORBEA RS TOOLBOX

Always turn your Garmin on and start recording an activity and then turn your Rise on for the remaining battery data to be displayed from the first moment on Toolbox. Otherwise, the remaining battery level will be displayed when some distance has been covered and the battery level drops by 1%.

When starting Toolbox, it will connect to the bike with the strongest signal (normally the closest one) and, once connected, it will stay paired to that bike. If you are experiencing pairing problems, make sure your Rise is the only bicycle turned on to make the connection easier.

Rise and Toolbox will connect via ANT Private automatically. If the data from your Rise is not shown in Toolbox, try to change assist levels with the handlebar remote. If the Toolbox data is still not visible, switch Rise off and turn it back on to reset the connection.

During an activity, the Orbea RS Toolbox data field will be accessible as any other data field on your Garmin device within the activity profile in which you are using Rise.

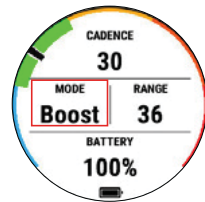


### AVAILABLE INFORMATION IN ORBEA RS TOOLBOX

**ASSIST MODE:** Shows the currently selected assist mode from the modes available: Off, Eco, Trail, Boost.

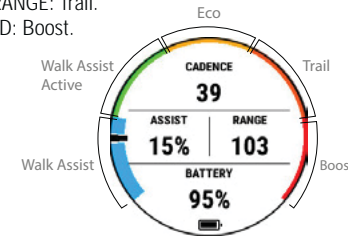
**Assist mode visualization options (on Garmin watches):** Orbea RS Toolbox allows you to see the currently selected assist mode in two different ways. Read the **Data Fields Customization** section of this manual to learn how to select the information shown in each field.

You can choose to see the selected assist mode on one of the data fields of Toolbox. The field will show the name of the selected mode.



It is also possible to see the selected assist modes on the external colour band around the screen. When selecting an assist mode, the corresponding area will be highlighted. The assist modes colour codes are:

BLUE: Walk Assist selected but not active.  
 GREEN: Walk Assist active.  
 YELLOW: Eco.  
 ORANGE: Trail.  
 RED: Boost.



**BATTERY:** Charge level of the battery shown as a percentage.

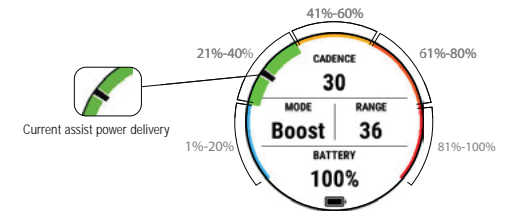
If an external RS Range Extender battery is connected, the system will account for the total capacity of both the internal battery and the Range Extender (612 Wh) and Toolbox will show the percentage of battery charge remaining based on the total capacity of the system.

**NOTICE** If while using the bicycle the battery percentage level is not visible in Toolbox, the information will be visible again when the battery level drops by 1%. At that moment the EP8 system will send the remaining battery level information via Bluetooth to the Garmin device and the battery level will be shown in the unit.

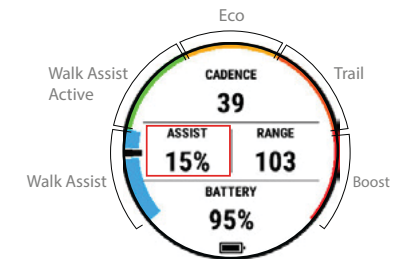
**ASSIST LEVEL:** Assist power delivered by the motor depending on the assist mode selected. It is shown as a percentage of the total power available from the motor.

**Assist level visualization options (on Garmin watches):** Orbea RS Toolbox allows the assist level to be shown in two different ways. Read the **Data Fields Customization** section of this manual to learn how to select the information shown in each field.

You can choose the assist level to be shown on the external colour band around the screen. Thus, the current assist level will be displayed by a black line that will travel through the motor power range (1%-100%). By default, the different assist levels will reach specific areas of the engine power range. For example, only the more powerful assist modes will allow the motor to deliver power around its 100% potential.



It is also possible to select the assist level to be shown on one of the data fields of Orbea RS Toolbox. The Assist data field will display the current power delivered as a percentage of the total power available from the motor.



**RANGE:** Available range (in km or miles) in the selected assist mode with the remaining battery charge. The range shown may change depending on the power delivered by the rider, as well as the previous use of the bicycle.

**SPEED:** The bicycle's current speed.

**CADENCE:** The rider's pedalling cadence.



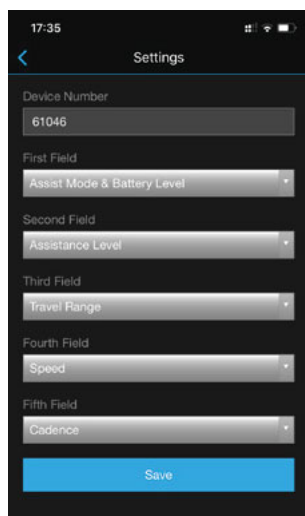
## DATA FIELDS CUSTOMIZATION

The order in which the system data is shown in Toolbox can be changed using Garmin Express (PC or Mac) or the Garmin Connect app (smartphones).

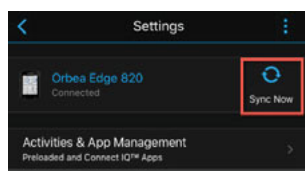
1. Open Garmin Connect on your smartphone and connect your Garmin device.
2. Access your device through the app and navigate to the Orbea RS Toolbox Setting menu:

Apps Management > Data Fields > Orbea RS Toolbox> Settings

3. Select what data you want to see in each field using the drop menus and press Save.



4. Go back to the main app screen and select Sync Now.



When you connect your Garmin unit to Rise, the data will be displayed according to your saved selection.

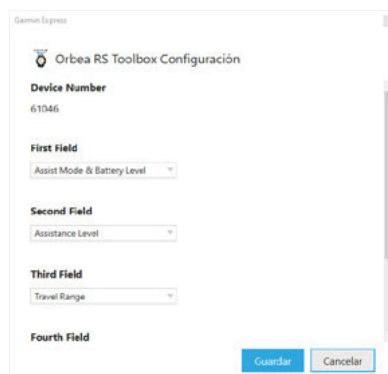
If the unit was connected to Rise when you saved the changes, you will see immediately the changes after you synchronize your device.

## GARMIN EXPRESS (PC AND MAC)

The data fields can also be customized using the computer application Garmin Express for PC and Mac.

Connect your Garmin unit to your computer using an USB cable and access Installed Apps. Press the Orbea RS Toolbox Setting button and select what information you want to see in each field.

Save the changes and synchronize your device.



## ACTIVITY DATA RECORDING OF RISE IN GARMIN CONNECT

When you record an activity using Orbea RS Toolbox in your Garmin device, the data from Toolbox is recorded along with the rest of the data from your device. Thus, you can later access the Toolbox data, such as assistance level, range, battery charge level, cadence, etc. as part of the data from the recorded activity.

Access through Garmin Connect the data from Orbea RS Toolbox during a recorded activity the same way you access the rest of the data recorded by your device during the activity.



## 08 SHIMANO ETUBE PROJECT

### CUSTOMIZATION OF THE EP8 RS SYSTEM

Using the Shimano Etube Project app for smartphones, you can customize the EP8 RS system to adjust Rise to your needs.

Every assist mode can be modified to deliver the exact power for your riding style.

The EP8 motor also allows the selection of two different assist profiles. Within each profile, the power output of each assist mode can be modified to achieve the power that you need in every situation.

The assist profile 1 is designed for activities with less steep climbing, slightly reducing the power delivery for a greater available range. The assist profile 2 is designed for more demanding activities and steeper climbs, delivering more power from the motor.

Consult the complete Etube Project app manual on Shimano's website. Etube Project also lets you customize the remote levers buttons, view error reports, update the components firmware, amongst other functions.

Read the complete app manual here

<https://si.shimano.com/#/en/iUM/7J4MA>

Download and install Etube Project on your smartphone from Google Play or the Apple Store.

1. **Open Etube Project on your smartphone.** Turn your Rise on and run the app on your phone.
2. **Select Register Ebike.**
3. **Select the unit to pair.**
4. **Register your bike on Etube Project.** Choose to change the pass key so only you can make changes to your bicycle. If you do not wish to change the pass key, continue to the next step.

5. Select Assist from the Customize tab.

6. Change the maximum torque of each assist mode within Profile 1 or Profile 2.

7. **Choose what Assist Profile you want to use during your activities.** The assist profile 1 is set by default for activities with less steep climbing, slightly reducing the power delivery for a greater available range. The assist profile 2 is set by default for more demanding activities and steeper climbs, delivering more power from the motor.

\* Apply the changes after every modification to the system using Etube Project.

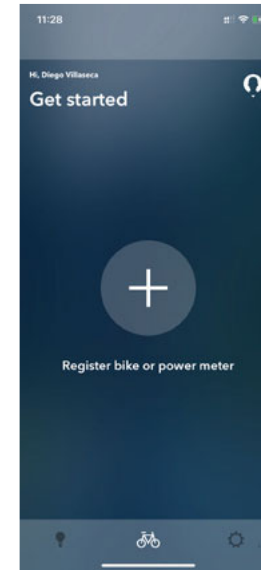
The assist modes within a given profile can be selected during an activity using the handlebar remote lever. In order to select a different assist profile you must select it through the Etube Project app. Once a different profile has been selected, the 3 assist modes can be changed from the handlebar lever.

### SYSTEM ERRORS

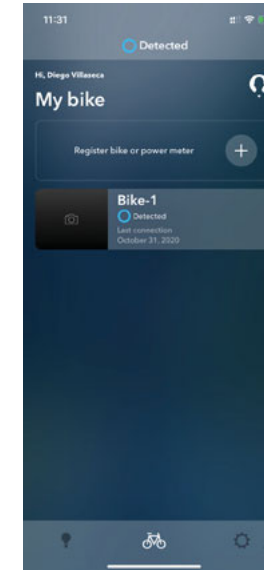
If there are any errors in the system, Etube Project allows you to access the Error Log, where you can see the error codes and the troubleshooting procedure.

The SC-EN800 display will show the error code if there was any. The EW-EN100 junction will show any errors with the two LED lights blinking in red. Connect the bicycle to the Etube Project app for smartphones to know the error code.

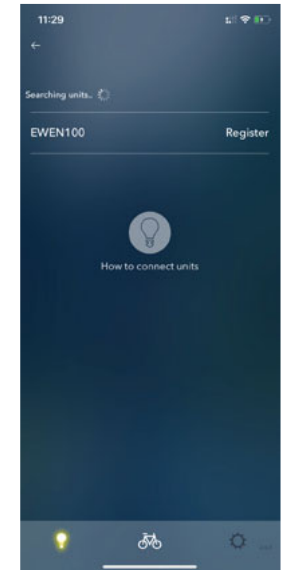
Knowing the error code, follow the recommended solution on the app or read the Shimano STEPS manual for the troubleshooting procedure. If the error persists after following the recommended solution or if a solution is not possible to be applied by the consumer, take your bicycle to an authorized dealer for a complete diagnosis and repair.



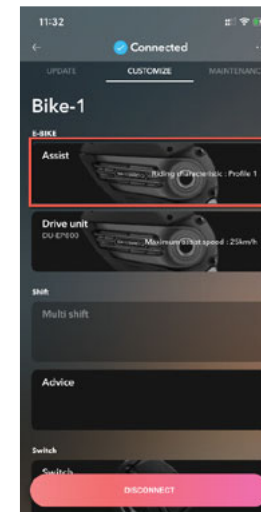
2



3



4



5



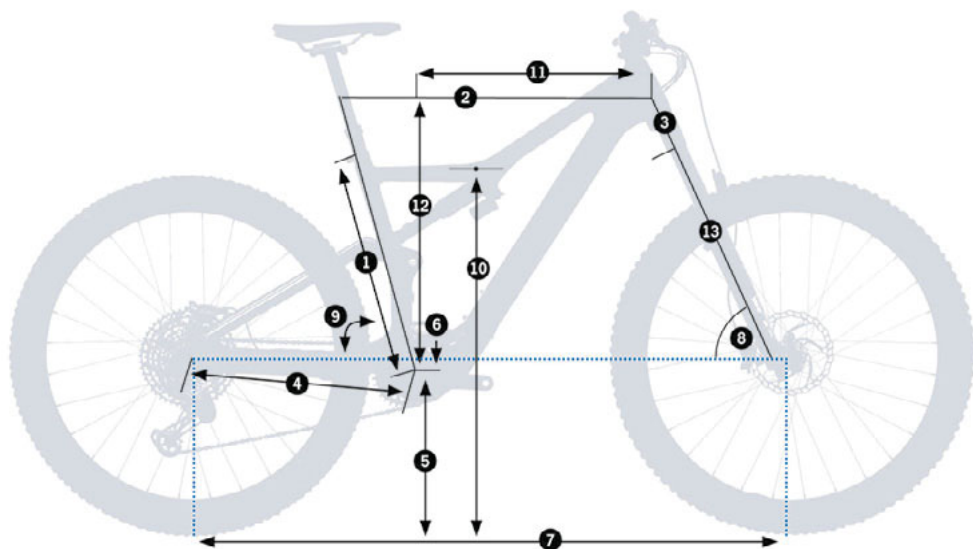
6



7

## 09 GEOMETRY AND SIZING

### RISE



SIZES	S	M	L	XL
1 - Seat Tube (C-T)	381	419	457	508
2 - Top Tube (EFF)	565	592	619	649
3 - Head Tube	95	105	120	140
4 - Chainstay	445	445	445	445
5 - BB Height	336	336	336	336
6 - BB Drop**	35/32	35/32	35/32	35/32
7 - Wheelbase	1.180	1.205	1.229	1.255
8 - Head Angle**	66°/65.5°	66°/65.5°	66°/65.5°	66°/65.5°
9 - Seat Angle**	77°/76.5°	77°/76.5°	77°/76.5°	77°/76.5°
10 - Standover	710	736	766	776
11 - Reach	425	450	474	500
12 - Stack	604	613	627	646
13 - Fork Length	547	547	547	547

HEIGHT (CM)	HEIGHT (IN)	SIZE*
150-165	59.1"-65.0"	S
160-175	63.0"-68.9"	M
170-185	66.9"-72.8"	L
180-198	70.9"-78.0"	XL

\* These sizing measurements are an approximate guide. The most effective method to choose the right size for you is to try the bicycle at one of our authorized dealers.

\*\* With 140/150mm fork.

## MAXIMUM AND MINIMUM SADDLE HEIGHT WITH DROPPER SEATPOSTS

Find below a table with the maximum and minimum possible height with the seatpost in its extender position.

The maximum height refers to the seatpost installed in its minimum insertion, which is defined by the seatpost.

The minimum height refers to the seatpost installed in its maximum insertion, which is defined by the frame.

Only the measurements with the seatpost and saddle options offered by Orbea for a given frame are listed. To know these measurements for any other seatpost brand and model, consult the seatpost dimensions with the manufacturer and check the maximum insertion for each size frame on this manual.

**NOTICE** The measurements given show the distance between the center of the bottom bracket shell to the middle of the saddle's top (saddle models specified from Orbea).

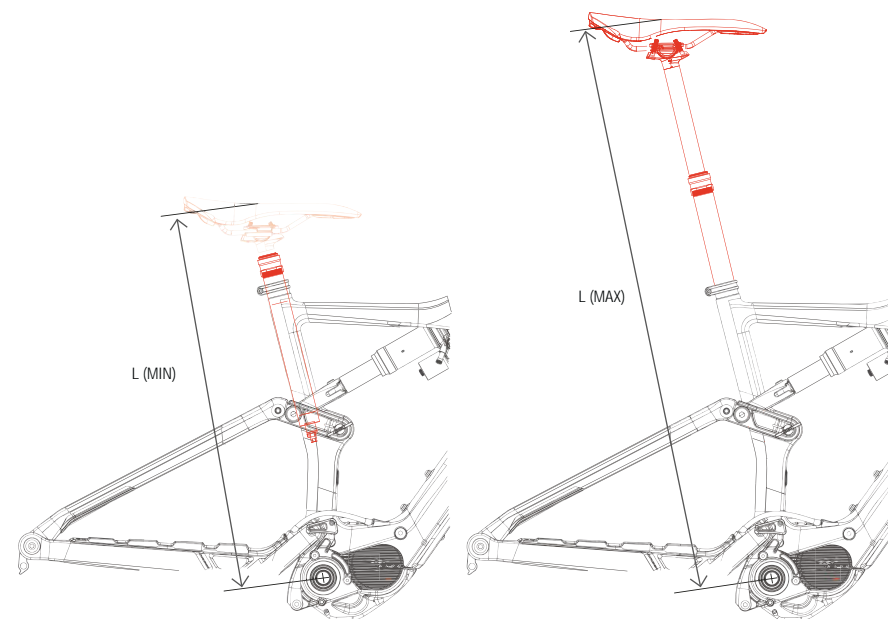
Different saddle models in the market may vary these heights by +/-5mm depending on the saddle model height. If your saddle height differs from the values on the table by less than 5mm, it may be possible to adjust the height by means of an aftermarket saddle of a different height.

If your saddle height differs from the values on the table by more than 5mm, choose a longer or shorter travel seatpost.

FRAME/SIZE

DROPPER SEATPOST	SADDLE HEIGHT EXTENDED	RISE (S)	RISE (M)	RISE (L)	RISE (XL)
OC2 31.6 125mm	Minimum	627mm*	650mm*	691mm*	738mm*
	Maximum	741mm*	778mm*	818mm*	866mm*
OC2 31.6 150mm	Minimum	675mm*	675mm*	713mm*	763mm*
	Maximum	790mm*	827mm*	866mm*	918mm*
OC2 31.6 170mm	Minimum	716mm*	717mm*	734mm*	785mm*
	Maximum	831mm*	866mm*	908mm*	957mm*
FOX TRANSFER 31.6 125mm	Minimum	598mm*	630mm*	670mm*	718mm*
	Maximum	692mm*	730mm*	769mm*	820mm*
FOX TRANSFER 31.6 150mm	Minimum	652mm*	654mm*	695mm*	744mm*
	Maximum	746mm*	782mm*	824mm*	874mm*
FOX TRANSFER 31.6 175mm	Minimum	709mm*	708mm*	720mm*	768mm*
	Maximum	804mm*	840mm*	881mm*	930mm*

\* The measurements may vary +/-5mm depending on the height of the saddle model.



# 10 TECHNICAL SPECIFICATIONS

## RISE

<b>FRAME MATERIAL</b>	
Front triangle	ORBEA OMR CARBON
Swingarm (c/stays & s/stays)	ORBEA OMR CARBON
Linkage	ALUMINUM
Recommended use	TRAIL, ALL-MOUNTAIN
Sizes	S, M, L, XL
Suspension design	CONCENTRIC BOOST 2 PIVOT
Fork travel	140mm (option 150mm)
Maximum fork length (axle-to-crown)	561mm
Fork offset	44mm
Rear travel	140mm
Shock measurements (eye-to-eye)	METRIC. 210x55
<b>Shock hardware</b>	
Front triangle	8x21.84mm
Shock extender	8x15.75mm
Recommended SAG	25%-30%
Headset	Integrated. 1 1/8" - 1 1/2"
Maximum number of headset spacers	30mm
Bottom bracket	SHIMANO EP8 RS MOTOR AXLE
Chainline	BOOST. 53mm
Wheel size	29"
Maximum tyre width (rear)	2.5
Maximum tyre width (front)	Depends on fork
Speed sensor magnet placement	Rear brake rotor
Rear axle standard	BOOST 12x148
Rear axle measurements	12x187mm
Rear axle thread pitch	1.5mm
Rear axle thread length	15mm
Seatpost diameter	31.6mm
Seatpost clamp diameter	35mm

<b>MAXIMUM SEATPOST INSERTION</b>	
S	222mm
M	255mm
L	300mm
XL	350mm
<b>Dropper seatpost internal cabling compatible</b>	
	YES
<b>Front derailleur</b>	
	NO
<b>Compatible chainrings</b>	
	Shimano STEPS spline. 12S. 53mm chainline
<b>Maximum chainring size</b>	
	34T
<b>Minimum chainring size</b>	
	30T
<b>Compatible oval chainring</b>	
	NO
<b>Brakes</b>	
	DISC*
<b>Rear brake caliper standard</b>	
	POST MOUNT
<b>Rear rotor maximum size</b>	
	203mm
<b>Rear rotor minimum size</b>	
	180mm
<b>Compatible chainguide</b>	
	Yes. Shimano E7000-E8000-EP8 chainguide
<b>ICGS</b>	
	NO
<b>Cabling</b>	
	Rear brake and derailleur: Internal through DT and c/stays. Full housing
	Pedelec system: Internal through DT and c/stay
<b>Rear brake left compatible</b>	
	YES. Brake hose enters the frame on the left
<b>Bottle holder</b>	
	1. In all sizes. Standard bottle holder or Range Extender mount
<b>Drivetrain compatibility</b>	
	11S and 12S. MTB
<b>Compatible shimano DI2</b>	
	YES. Rear derailleur
<b>Compatible SRAM AXS</b>	
	YES
<b>Compatible powermeter</b>	
	NO
<b>Compatible trailer</b>	
	NO
<b>Compatible mudguards</b>	
	NO
<b>Compatible rear rack</b>	
	NO
<b>Compatible childseat</b>	
	NO

\* Not all calipers and rotors in the market are compatible with all frames.

All components specified from Orbea have been tested. For aftermarket options, check components dimensions and tolerances before purchasing.

# TECHNICAL SPECIFICATIONS

## SHIMANO EP8 RS

Consult the Shimano EP8 system in the manufacturer's documentation. The RS internal battery and Range Extender are Orbea's own.

<https://si.shimano.com/api/publish/storage/pdf/en/dm/EP800/DM-EP800-01-ENG.pdf>

### SHIMANO EP8 RS MOTOR

Nominal power	250W
Voltage	36V
Type	BRUSHLESS DC
Maximum torque	60Nm
Maximum speed	25 Kph (EU) 20 Mph / 32 Kph (US)
Weight	2.6 Kg
Assist profiles	2 (Selectable through the Etube Project app)
Assist modes (per profile)	3 (ECO, TRAIL, BOOST) Customizable through the Etube Project app
Walk assist	YES
Steps/DI2 cabling standard	EW-SD300

### EW-EN100 JUNCTION

Functions	Charge level display
	Assist mode selection and display
	Error display
Connectivity	Bluetooth (shimano etube project app)
	ANT Private
Assembly	Inline. Shimano DI2 CABLE
Steps/DI2 cabling standard	EW-SD50

### SC-EM800 DISPLAY (OPTION)

Functions	Charge level display
	Assist mode display
	Error display
Connectivity	Bluetooth (shimano etube project app)
	ANT Private
Assembly	Handlebar
Steps/DI2 cabling standard	EW-SD300

### HANDLEBAR REMOTE LEVER SW-EM7000-L / SW-EM800 (OPTION)

Functions	Assist mode selection
	Walk assist
Assembly	Handlebar (clamp diameter 22.2mm)
Steps/DI2 cabling standard	EM7000-L > EW-SD50 EM800 > EW-SD300

### EW-SS301 SPEED SENSOR

Assembly	Left chainstay. Internal cabling
Magnet	On rear brake rotor

## ORBEA RS INTERNAL BATTERY

Voltage	36V
Capacity	360 Wh
Weight	2.2 Kg
Cells	LITHIUM-ION. 21700
Charging time (2A)	5 HOURS
Assembly	INTERNAL. DOWNTUBE
Connection	HARNESS CABLE TO MOTOR, CHARGING PORT AND POWER BUTTON

## RANGE EXTENDER RS EXTERNAL BATTERY

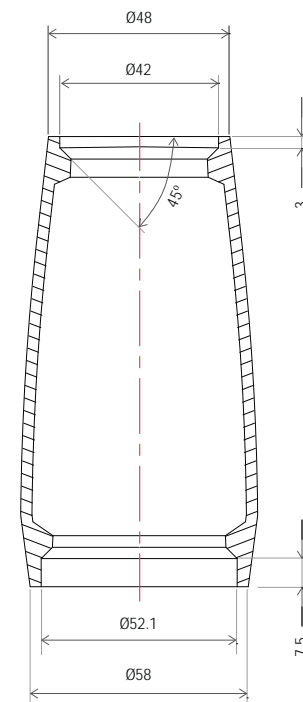
Voltage	36V
Capacity	252 Wh
Weight	1.4 Kg
Cells	LITHIUM-ION. 18650
Charging time (2A)	3.5 HOURS
Assembly	DEDICATED MOUNT. DOWNTUBE
Connection	RANGE EXTENDER CONNECTION CABLE TO RISE CHARGE PORT

## RS 2A CHARGER

Input	100V - 240V
Output	42V
Charging rate	2A

11 ASSEMBLY AND SPARES  
HEADSET

## HEADTUBE DIMENSIONS



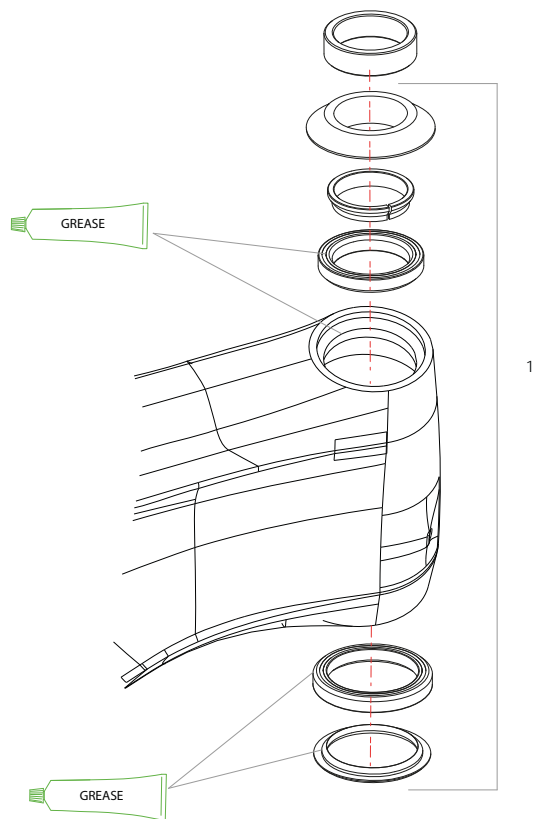
## HEADSET SPECIFICATIONS

	TYPE	ID*	OD**	Bearing angle	Preload ring ring/ fork crown race angle	SHIS CODE
TOP	1-1/8" Integrated	42mm	48mm	45°	45°	IS42/28.6
BOTTOM	1-1/2" Integrated	52.1mm	58mm	45°	45°	IS52/40







\* ID: Internal headtube diameter.

\*\* OD: External headtube diameter.

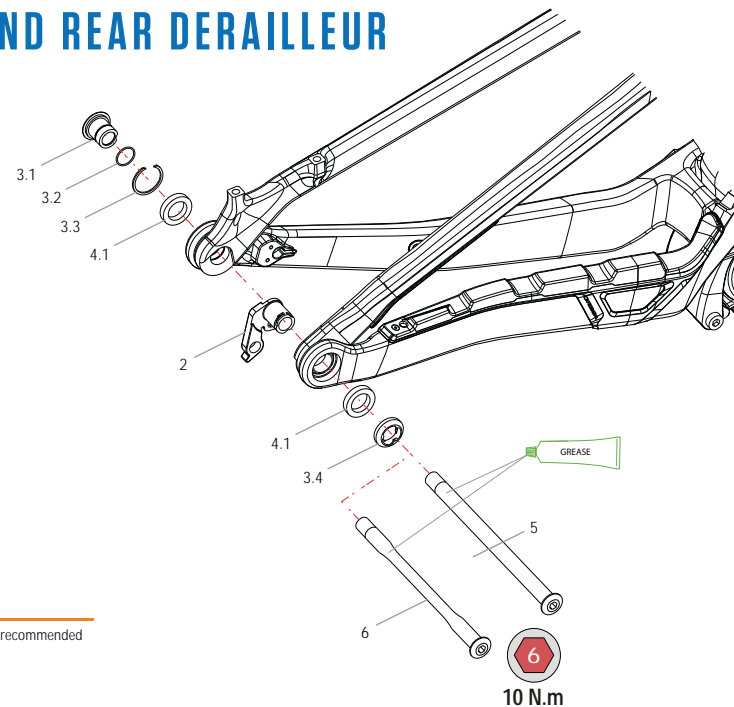
# HEADSET SPARE PARTS AND ASSEMBLY



## 01 INTEGRATED HEADSET MTB 1 1/8"-1 1/2"


ART N°: X0230000		QTY.
	1.1 STEM TOPCAP	1
	1.2 HEADSET PRELOAD BOLT	1
	1.3 STARNUT 1 1/8"	1
	1.4 HEADSET COVER	1
	1.5 PRELOAD RING	1
	1.6 TOP BEARING	1
	1.7 BOTTOM BEARING	1
	1.8 FORK CROWN RACE	1

# AXLES AND REAR DERAILLEUR







**⚠** Always follow the recommended torque settings.

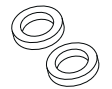
## 02 REAR DER. HANGER STD X12 FS 21

ART N°: X1600000		QTY.
	REAR DER. HANGER STD X12 FS 21	1

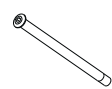
## 03 REAR AXLE HARDWARE KIT FS20 (Hanger not included)

ART N°: X2030000		QTY.
	3.1 LEFT AXLE NUT	1
	3.2 O-RING LEFT 13x1	1
	3.3 CIRCLIP LEFT SB26mm	1
	3.4 HANGER INSERT RIGHT	1

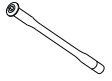
## 04 REAR AXLE BEARING KIT FS20

ART N°: X2040000		QTY.
	4.1 BEARING 6803	2

## 05 REAR THRU-AXLE BOOST 12x148 HOLLOW (12x187x1.5x15)

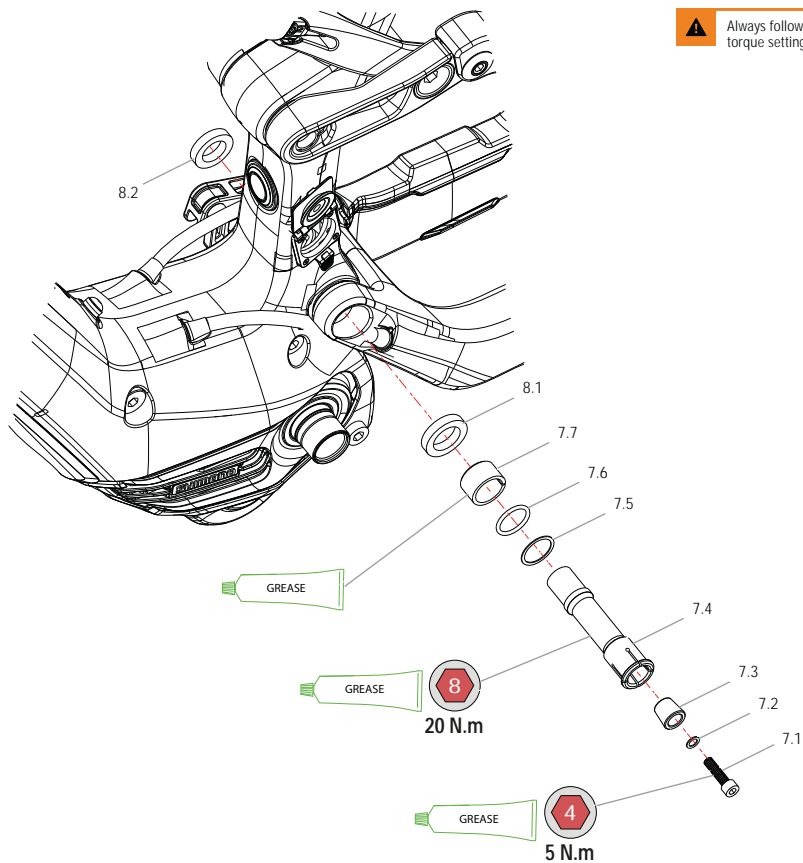
ART N°: X2050000		QTY.
	REAR THRU-AXLE BOOST 12x148 HOLLOW (12x187x1.5x15)	1

## 06 REAR THRU-AXLE BOOST 12x148 LITE (12x187x1.5x15)

ART N°: X2060000		QTY.
	REAR THRU-AXLE BOOST 12x148 LITE (12x187x1.5x15)	1



# SWINGARM MAIN PIVOT



**⚠** Always follow the recommended torque settings.

## 07 HARDWARE KIT MAIN PIVOT RISE-OCCAM M

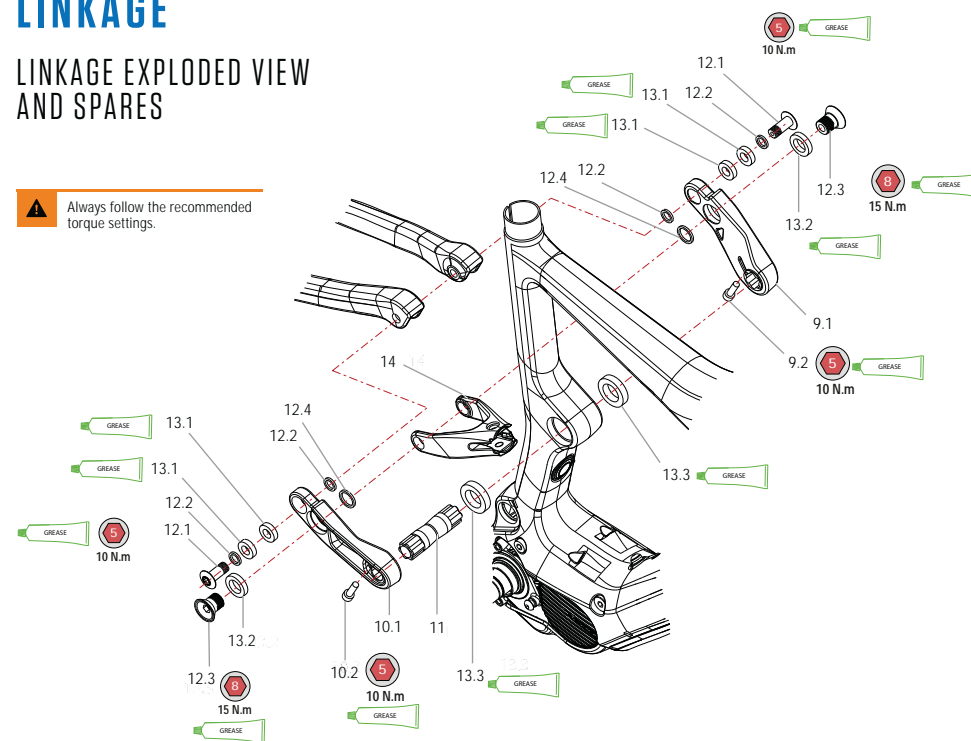
ART N°: X2140000		QTY.
7.1	EXPANDER BOLT M5x20	1
7.2	EXPANDER ASHER 5x8x0.5	1
7.3	EXPANDER CONE MAIN PIVOT	1
7.4	MAIN PIVOT AXLE	1
7.5	AXLE WASHER 17x20.5x0.5	1
7.6	O-RING 16x2	1
7.7	BUSHING MAIN PIVOT	1

## 08 MAIN PIVOT BEARING KIT RISE-OCCAM M

ART N°: X2150000		QTY.
8.1	BEARING 6803	1
8.2	BEARING 6802	1

# LINKAGE

## LINKAGE EXPLODED VIEW AND SPARES



**⚠** Always follow the recommended torque settings.

## 09 LINKAGE LEFT RISE (Bearings not included)

ART N°: X2070000		QTY.
9.1	LEFT LINKAGE RISE	1
9.2	BOLT M6x20	1

## 10 LINKAGE RIGHT RISE (Bearings not included)

ART N°: X2080000		QTY.
10.1	RIGHT LINKAGE RISE	1
10.2	BOLT M6x20	1

## 11 LINKAGE AXLE RISE

ART N°: X2090000		QTY.
	LINKAGE AXLE RISE	1

## 12 LINKAGE HARDWARE KIT RISE (Both sides)

ART N°: X2100000		QTY.
12.1	LINKAGE-SEATSTAY BOLT	2
12.2	LINKAGE-SEATSTAY WASHER	4
12.3	LINKAGE-SHOCK EXT. BOLT	2
12.4	LINKAGE-SHOCK EXT. WASHER	2

## 13 LINKAGE BEARING KIT OCCAM-RISE

ART N°: X2110000		QTY.
13.1	LINKAGE-SEATSTAY BEARING 6800	4
13.2	LINKAGE-SHOCK EXT. BEARING 6802	2
13.3	LINKAGE-FRAME BEARING 6804	2

## 14 SHOCK EXTENDER RISE

ART N°: X2120000		QTY.
	SHOCK EXTENDER RISE	1

# LINKAGE ASSEMBLY

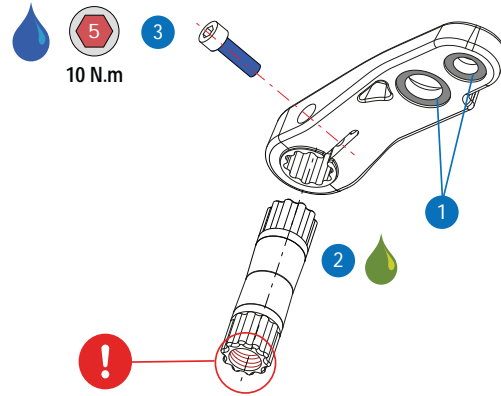
1. If necessary, install or replace the linkage bearings before installing the linkage.

2. Install the left linkage onto the end of the linkage axle without a thread on the inside, applying a small amount of cylindrical components retainer.

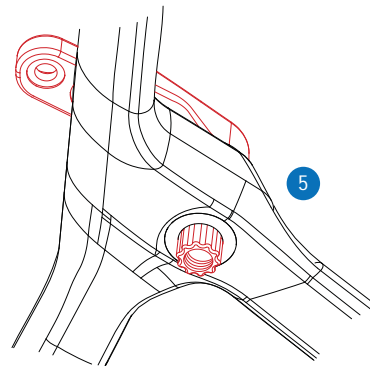
**The end of the linkage axle with threads on the inside must be installed on the right side of Rise.**

3. Install the linkage pinch bolt. Apply a thin layer of medium strength threadlock on the bolt and tighten it to the recommended torque setting.

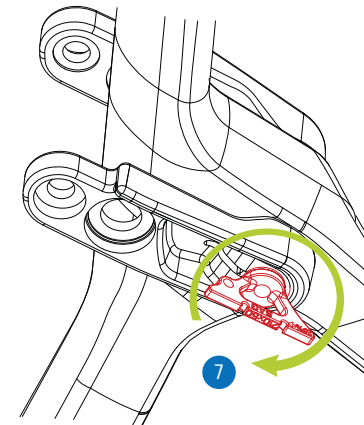
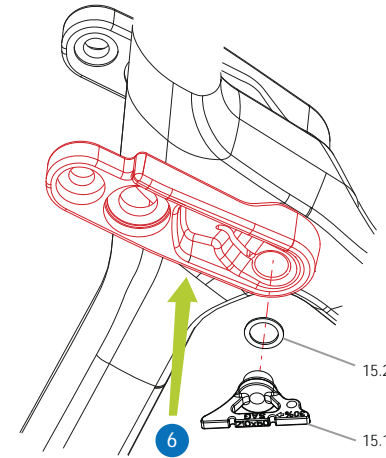
4. Apply a small amount of cylindrical components retainer to the axle spline.



5. With the frame bearings already in place, install the linkage-axle assembly into the frame. Make sure the left linkage is correctly installed. The axle should not be visible between the linkage and the frame.



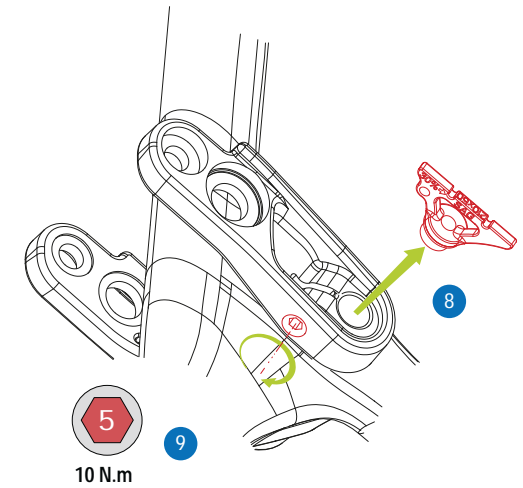
6/7. Install the right linkage. Thread the preload tool in the axle and tighten the tool until the right linkage is completely installed. The axle should not be visible between the linkage and the frame.




8. Remove the preload tool and washer.

9. Apply a thin layer of medium strength threadlock onto the pinch bolt and tighten it to the recommended torque setting.

10. Make sure there is no side play on the linkage.

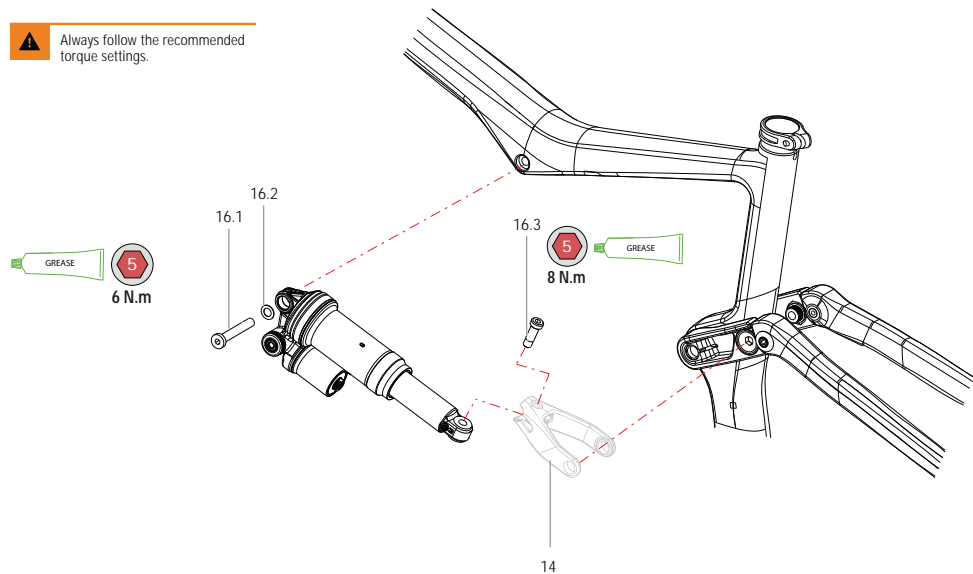


## 15 LINKAGE PRELOAD TOOL OCCAM-RISE

ART N°: X9020000		QTY.
	15.1 PRELOAD-SAG TOOL	1
	15.2 PRELOAD WASHER	1

# SHOCK ASSEMBLY

Always follow the recommended torque settings.



## 14 SHOCK EXTENDER RISE

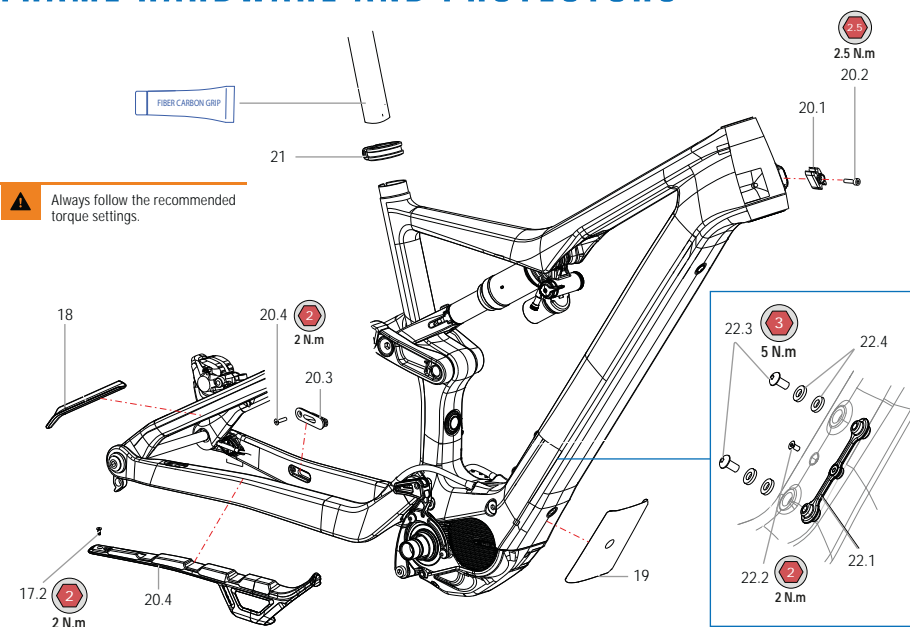
ART N°: X2120000	QTY.
SHOCK EXTENDER RISE	1

## 16 SHOCK ASSEMBLY KIT RISE

ART N°: X2130000	QTY.
16.1 FRAME-SHOCK BOLT	1
16.2 FRAME-SHOCK WASHER	1
16.3 SHOCK-SHOCK EXT. BOLT	1

# FRAME HARDWARE AND PROTECTORS

Always follow the recommended torque settings.



## 17 RUBBER PROTECTOR RIGHT CHAINSTAY

ART N°: X2160000	QTY.
17.1 RUBBER PROTECTOR RIGHT CHAINSTAY RISE	1
17.2 BOLT M3x12 COUNTERSUNK	1

## 18 ADHES. RUBBER PROTECTOR RIGHT S/STAY

ART N°: X2170000	QTY.
ADHES. RUBBER PROTECTOR RIGHT S/STAY	1

## 19 ADHES. PROTECTOR TRANSPARENT DOWNTUBE

ART N°: X2160000	QTY.
ADHES. PROTECTOR TRANSPARENT DOWNTUBE	1

## 20 CABLEGUIDE KIT BRAKE-DERAILL. RISE

ART N°: X2190000	QTY.
20.1 CABLEGUIDE HEADTUBE	1
20.2 BOLT M3x15	1
20.3 CABLEGUIDE BRAKE C/STAY	1
20.4 BOLT M3x12 COUNTERSUNK	1
20.5 ZIPTIE 2.5x100	1

## 21 SEATPOST CLAMP 34.9mm BLK

ART N°: X2020000	QTY.
SEATPOST CLAMP 34.9mm BLK	1

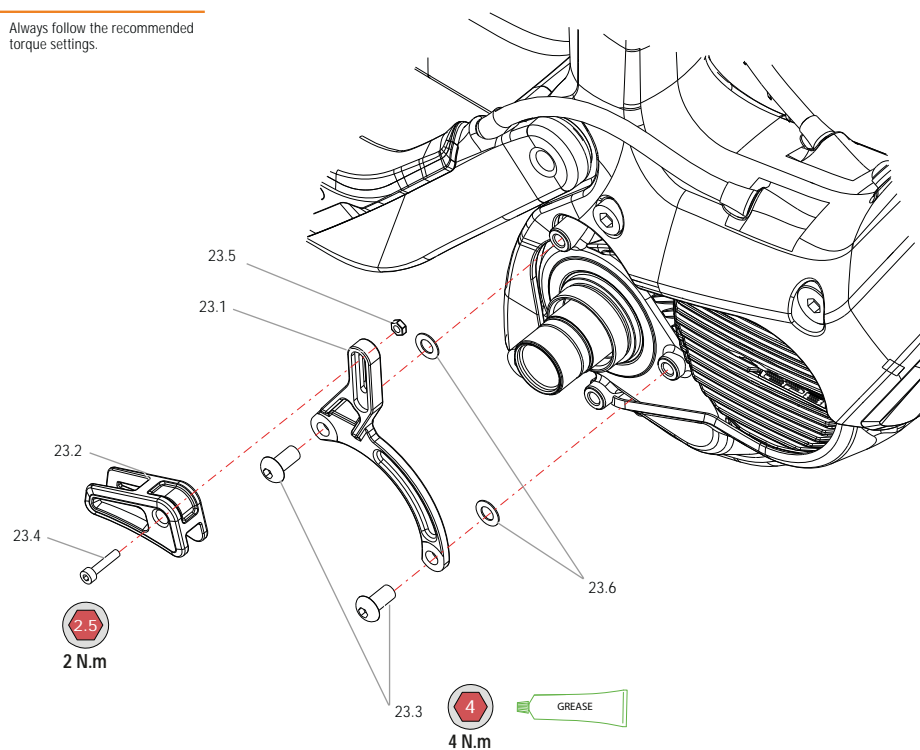
## 22 BOTTLE HOLDER PLATE KIT RISE

ART N°: X2270000	QTY.
22.1 INTERNAL BOTTLE HOLDER PLATE	1
22.2 BOLT M3x8 DIN7991 FRAME	1
22.3 BOTTLE HOLDER BOLT M5x10	2
22.4 WASHER 6.2x10x2	4

**NOTICE** Always use the original washers to install a bottle holder or the Range Extender mount to Rise.

## CHAINGUIDE

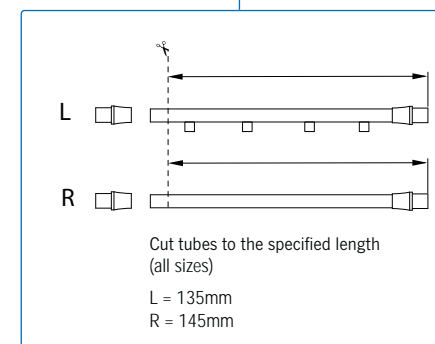
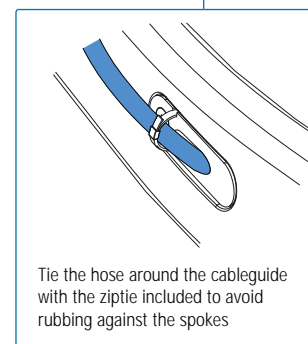
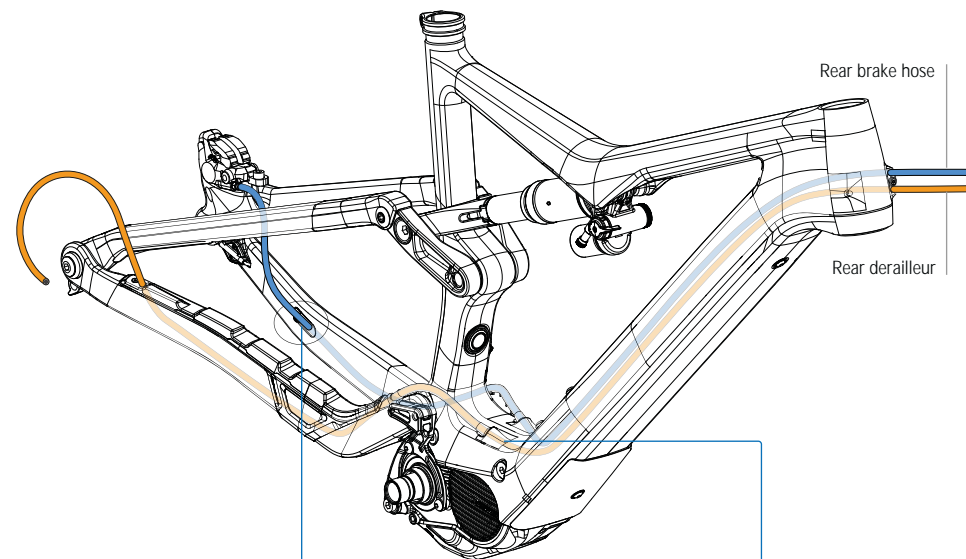
**⚠** Always follow the recommended torque settings.



### 23 CHAINGUIDE KIT RISE

ART N°: X2210000		QTY.
	23.1 CHAINGUIDE BRACKET RISE	1
	23.2 CHAINGUIDE	1
	23.3 EP8 MOTOR FIXING BOLT	2
	23.4 BOLT M3X15	1
	23.5 NUT M3	1
	23.6 WASHER M6	2

## REAR DERAILLEUR AND BRAKE CABLE ROUTING

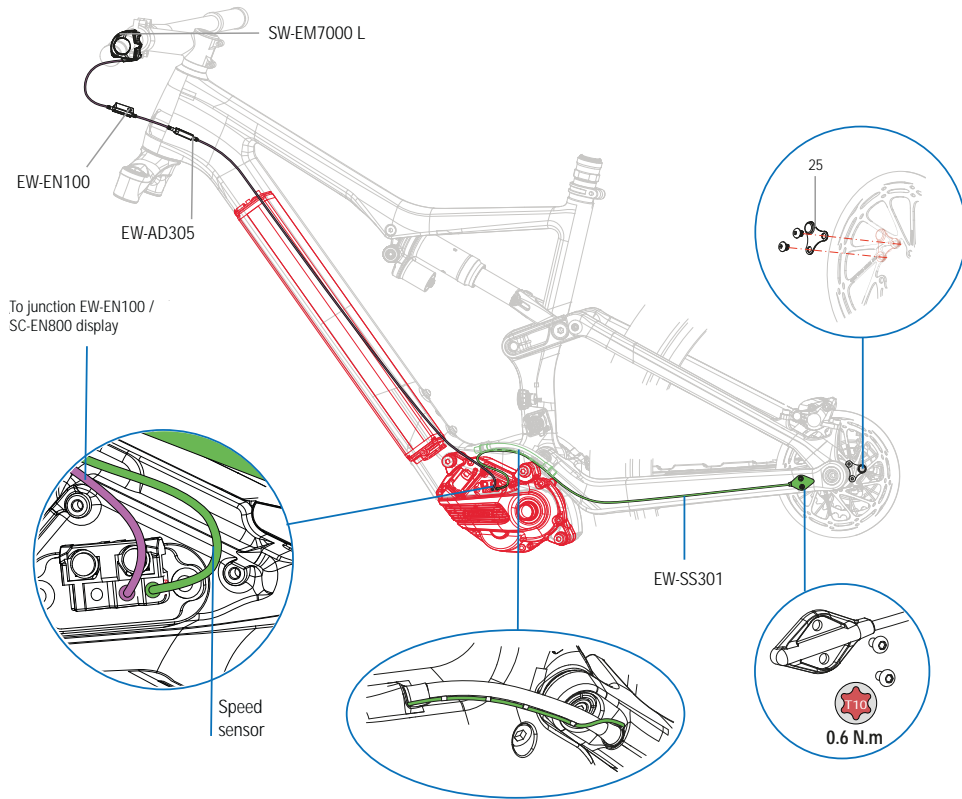


### 24 CABLING TUBES KIT FT-S/ARM RISE

ART N°: X2020000		QTY.
	FS CABLE TUBE (ONE SIZE)	1
	FS CABLE TUBE. CLIP SENSOR (ONE SIZE)	1
	FERRULE TUBE FS	2

# SHIMANO EP8 COMPONENTS CABLE ROUTING AND CONNECTION

## SHIMANO EW-EN100 JUNCTION ASSEMBLIES (WITHOUT DISPLAY)



### 25 SPEED SENSOR DISC MAGNET 6 BOLT

ART N°: X2400000	QTY.
SPEED SENSOR DISC MAGNET 6 BOLT	1



**NOTICE**

The installation and replacement of the electric system components requires an advanced technical knowledge and may therefore be beyond the skills of most users. Always take your bicycle to an authorized dealer for the diagnosis, repair and installation of the electric system components.

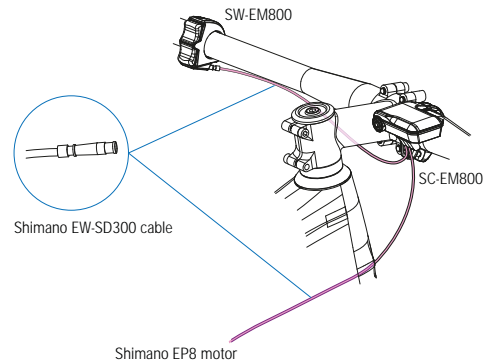
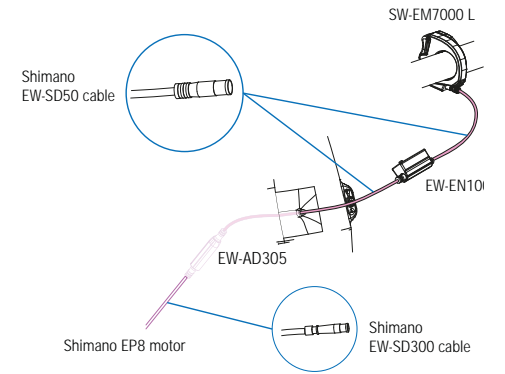
Damage to the components derived from incorrect installation may void the warranty on such components.

## DIFFERENCES BETWEEN ASSEMBLIES WITH SHIMANO EW-EN100 JUNCTION (WITHOUT DISPLAY) AND WITH SHIMANO SC-EM800 DISPLAY (OPTION)

The assemblies with the Shimano EW-EN100 use STEPS/Di2 standard EW-SD50 cables to connect the handlebar remote lever to the junction.

A standard SD50 cable connects the EN100 junction to an EW-AD305 adapter inside the frame, which converts the SD50 cable to a thinner SW-SD300 cable for its connection to the EP8 RS motor.

The EW-SD300 cables are the Shimano standard for the EP8 systems.



Assemblies with the SC-EM800 display use the thinner EW-SD300 to connect the handlebar remote lever to the display and the display to the EP8 motor, not being necessary the EW-AD305 adapter inside the frame.

## CONNECTING RISE TO SHIMANO ETUBE PROFESSIONAL USING THE PCE1 / PCE02 DIAGNOSTICS TOOLS. INFORMATION FOR DEALERS

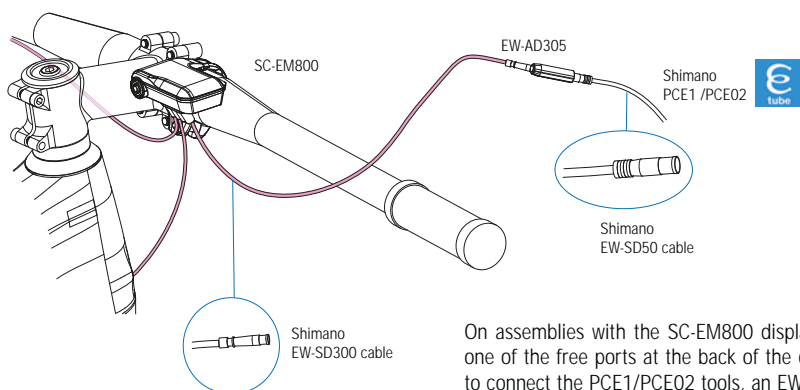
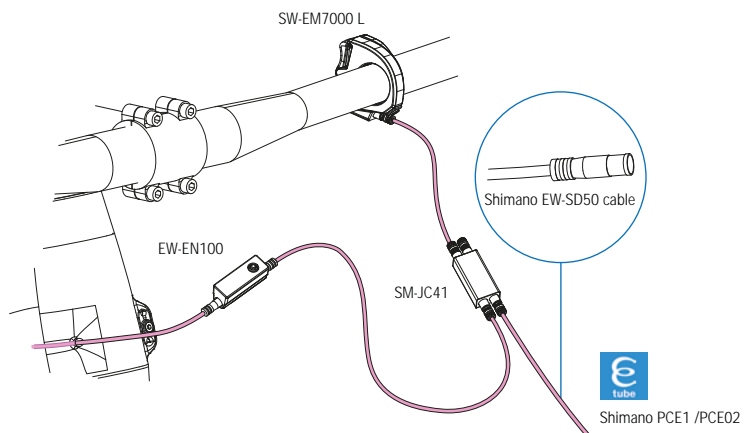
As an user, you can use the Shimano Etube Project app for smartphones to connect your bicycle, customize the system and perform some diagnostics.

To access all the information of the Shimano EP8 system on Etube, update your firmware to versión V4:

<https://bike.shimano.com/en-EU/e-tube/project.html>

**NOTICE** The system diagnostics using the Etube Professional tools must be performed by an authorized dealer.

On assemblies using the EW-EN100 junction, a SM-JC41 junction and an extra SD50 cable will be necessary to add an extra port to which connect the PCE1/PCE02 tool.



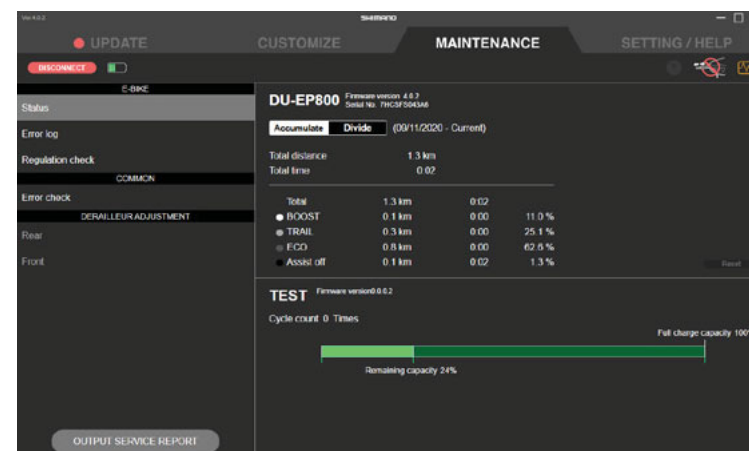
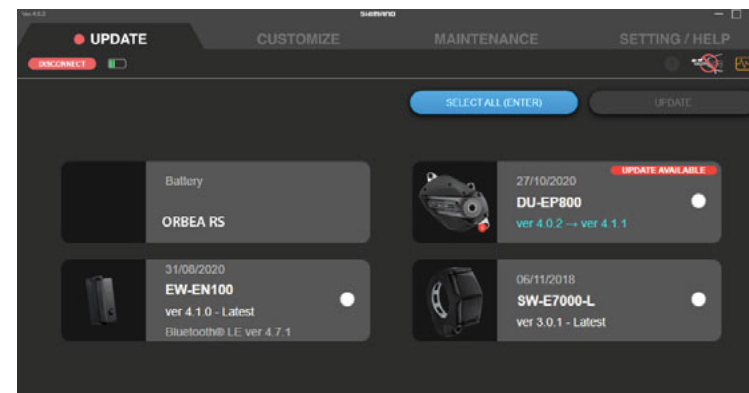
On assemblies with the SC-EM800 display, you can use one of the free ports at the back of the display. In order to connect the PCE1/PCE02 tools, an EW-AD305 adapter and an extra SD300 cable will be necessary to convert the the connection to a standard SD50 cable to make the connection to the PCE1/PCE02 tools.

## ORBEA RS BATTERY IN ETUBE PROFESSIONAL

The Orbea RS battery is visible in Etube Professional V4 when connecting the Rise EP8 RS system using the Shimano PCE1 or PCE02 diagnosis tool.

With the PCE02 tool you can also access relevant information about the battery in the Maintenance tab, like the firmware version and the charge cycles.

**NOTICE** Read the Relevant Information about the RS Batteries section of this manual to learn more about the care and diagnosis of the RS batteries



# ORBEA RS COMPONENTS CABLE ROUTING AND CONNECTION

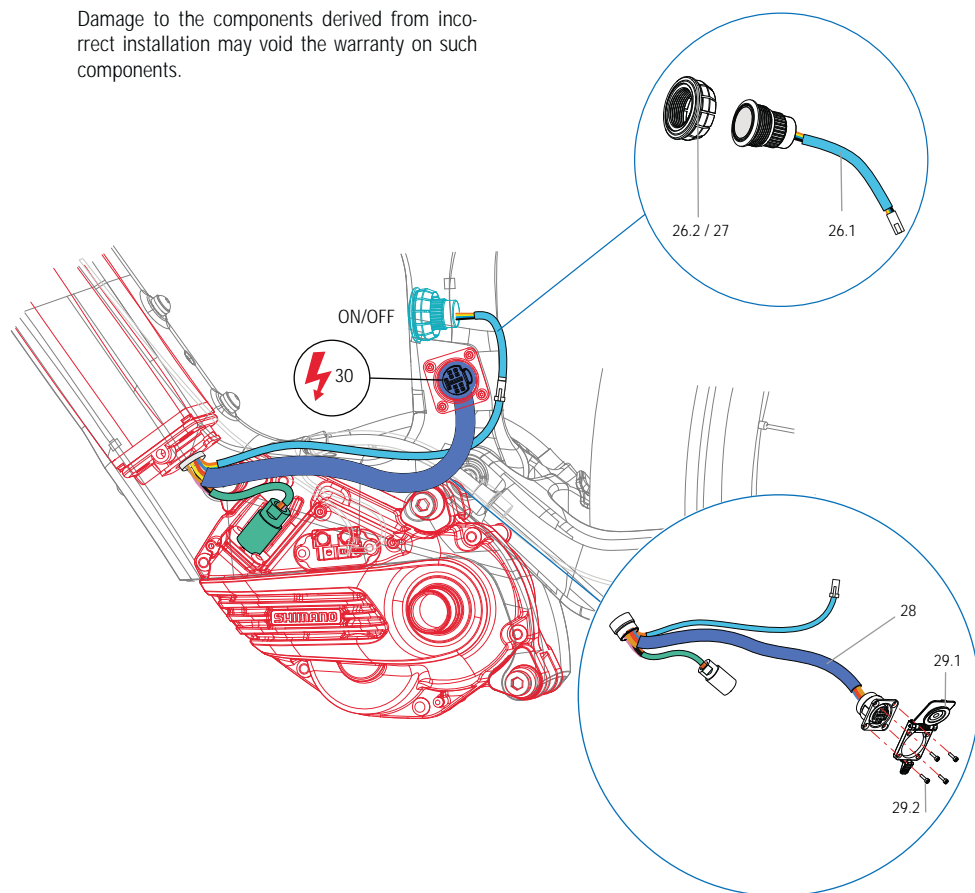
## NOTICE

The installation and replacement of the electric system components requires an advanced technical knowledge and may therefore be beyond the skills of most users.

Always take your bicycle to an authorized dealer for the diagnosis, repair and installation of the electric system components.

Damage to the components derived from incorrect installation may void the warranty on such components.

Rise uses Orbea exclusive components for the connection of the Orbea RS internal battery to the Shimano EP8 motor. The battery charger and the charging port are also Orbea exclusive.



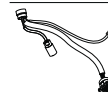
## 26 POWER BUTTON RISE

ART N°: X2360000	QTY.
26.1 POWER BUTTON+CABLE	1
26.2 CLIP BRACKET POWER BUTTON SEAT TUBE	1



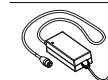
## 28 CHARGING POINT+HARNESS CABLE RS

ART N°: X2380000	QTY.
The RS harness cable includes the charging point, the motor connection cable and the battery. Connection cable in one unit.	1



## 30 CARGADOR BATERÍA RS 36V 2A

X2320000	RS BATTERY CHARGER 36V 2A (EU)
X2320100	RS BATTERY CHARGER 36V 2A (USA)
X2320200	RS BATTERY CHARGER 36V 2A (UK)
X2320300	RS BATTERY CHARGER 36V 2A (AUS)



Each article code includes the RS charger and the specific mains cable.

## 27 CLIP BRACKET POWER BUTTON RISE

ART N°: X2370000	QTY.
CLIP BRACKET POWER BUTTON RISE	1



## 29 CHARGING POINT COVER RISE

ART N°: X2390000	QTY.
29.1 CHARGING POINT COVER RISE	1
29.2 BOLT M2x8	4

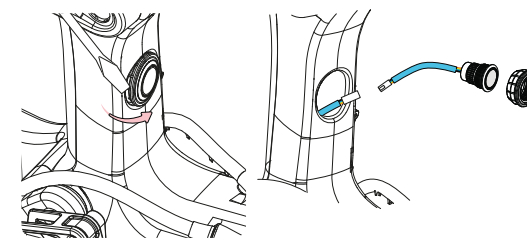


## COMPONENTS REPLACEMENT

### POWER BUTTON REPLACEMENT

It is possible to replace the seat tube power button without removing the EP8 RS motor. Use a thin flat screwdriver to carefully pull the clip bracket without damaging the paint.

Carefully pull from the cable and disconnect the power button cable from the harness cable. Install a new power button and firmly press the clip bracket into the seat tube.



### HARNESS CABLE REPLACEMENT

To replace the harness cable, which includes the charging point, the motor connection cable and the battery connection cable, it is necessary to remove the EP8 motor from the bicycle.

After removing the motor, disconnect the battery cable, the motor cable and the cable to the power button. Remove the harness cable through the hole for the charging point.

Introduce a new harness cable through the hole for the charging point. The motor, battery and power button ends of the cable must be guided first through the charging point hole.

## NOTICE



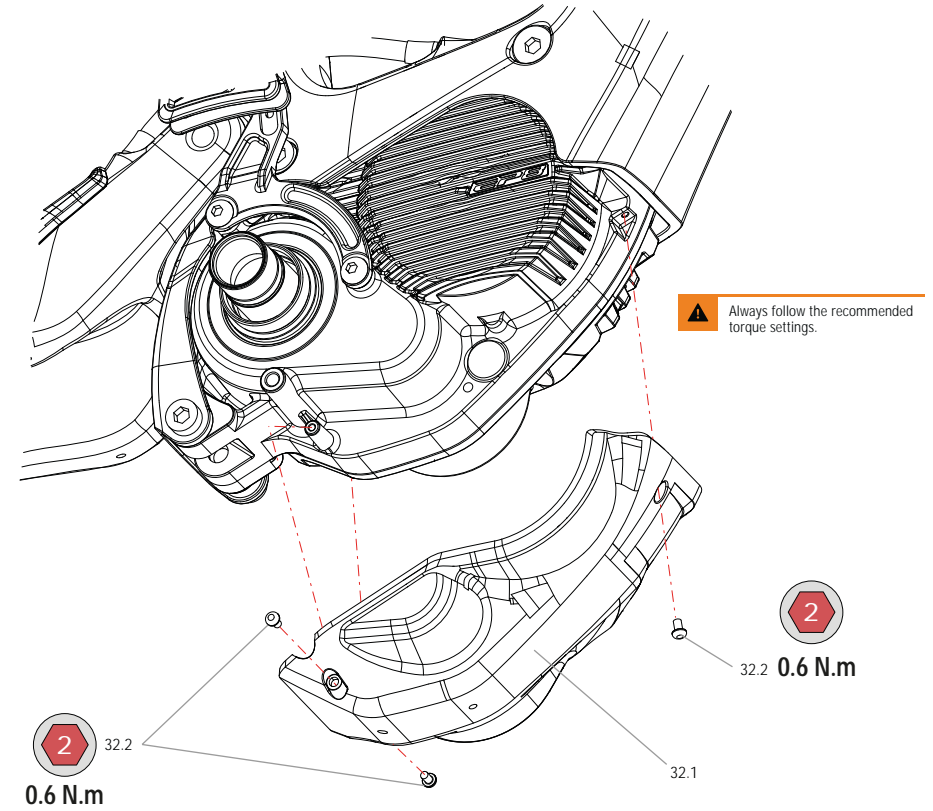
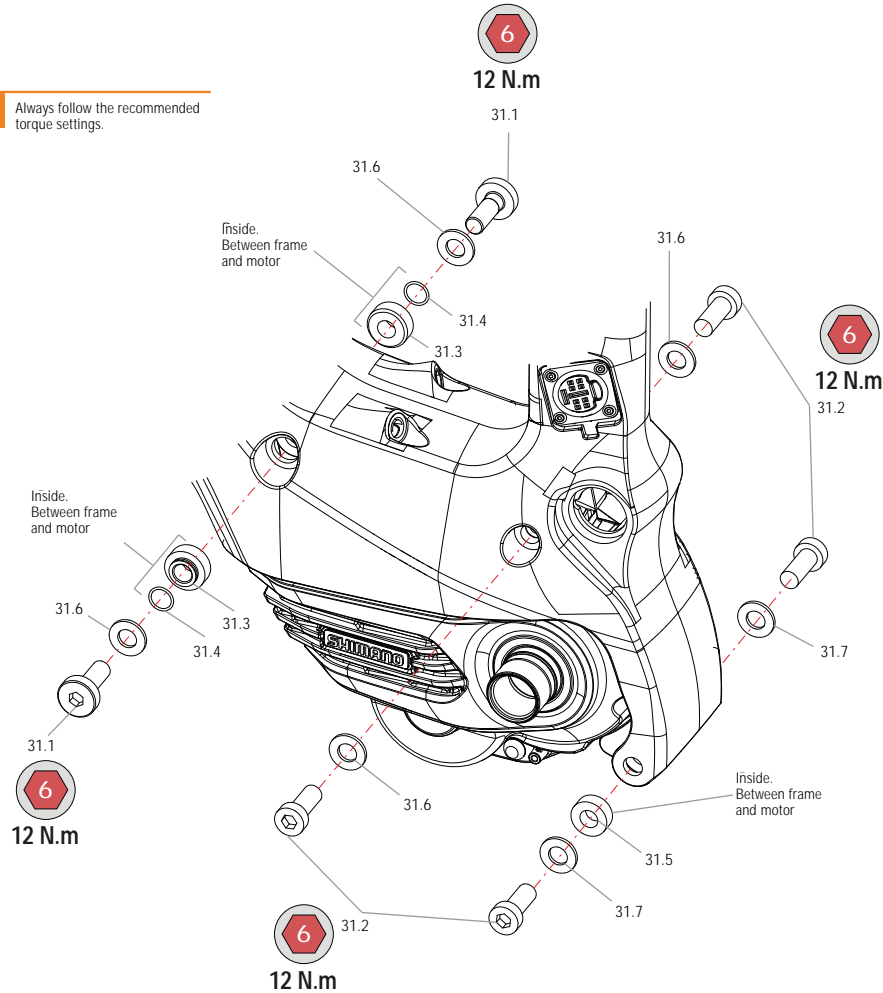
The installation and replacement of the electric system components requires an advanced technical knowledge and may therefore be beyond the skills of most users.

Always take your bicycle to an authorized dealer for the diagnosis, repair and installation of the electric system components.

Damage to the components derived from incorrect installation may void the warranty on such components.

# EP8 RS MOTOR INSTALLATION

**⚠** Always follow the recommended torque settings.



## 31 EP8 RS MOTOR FIXING KIT RISE

ART N°: X2310000		QTY.
	31.1 MOTOR FIXING BOLT M8x22 12Nm	2
	31.2 MOTOR FIXING BOLT M8 1.25 THREAD 12Nm	4
	31.3 FRONT MOTOR SPACER	2
	31.4 O-RING 10x1	2
	31.5 REAR MOTOR SPACER	1
	31.6 WASHER 13mm	4
	31.7 WASHER M8 DIN125 DS	2

## 32 EP8 MOTOR PROTECTOR

ART N°: X2300000		QTY.
	32.1 EP8 MOTOR PROTECTOR	1
	32.2 PROTECTOR FIXING BOLT	3



## RS INTERNAL BATTERY

**NOTICE** Read the maintenance, use, charge and storage indications of the RS batteries in the Maintenance and Electric Components Use Warnings sections of this manual.

Also read how to charge, turn on and check the battery level in the Use of Rise section of this manual.

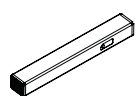
For more important information about the RS batteries, read the Relevant Information about the RS Batteries section of this manual.

### RS INTERNAL BATTERY TECHNICAL SPECIFICATIONS

VOLTAGE	36V
CAPACITY	360 Wh
WEIGHT	2.2 Kg
CELLS	LITHIUM-ION. 21700
CHARGING TIME (2A)	5 HOURS
ASSEMBLY	INTERNAL. DOWNTUBE
CONNECTION	HARNESS CABLE TO MOTOR, CHARGING POINT AND POWER BUTTON

#### 33 ORBEA RS INTERNAL BATTERY 360 Wh 36V

ART N°: X2220000 QTY.



The RS internal battery is available through an authorized Orbea dealer as a warranty item or as a replacement due to natural wear.

1

#### 35 BATTERY BRACKET-FRAME FIXING BOLT KIT

ART N°: X2470000 QTY.

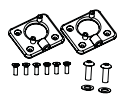


35.1 BRACKET-FRAME FIXING BOLT M6x12  
35.2 WASHER 6x11x0.5

2  
2

#### 34 INTERNAL BATTERY BRACKET KIT RISE

ART N°: X2280000 QTY.



34.1 ALUMINUM BRACKET INTERNAL BATTERY 2  
34.2 BATTERY-BRACKET FIXING BOLT 6  
34.3 BRACKET-FRAME FIXING BOLT M6x12 2  
34.4 WASHER 6x11x0.5 2

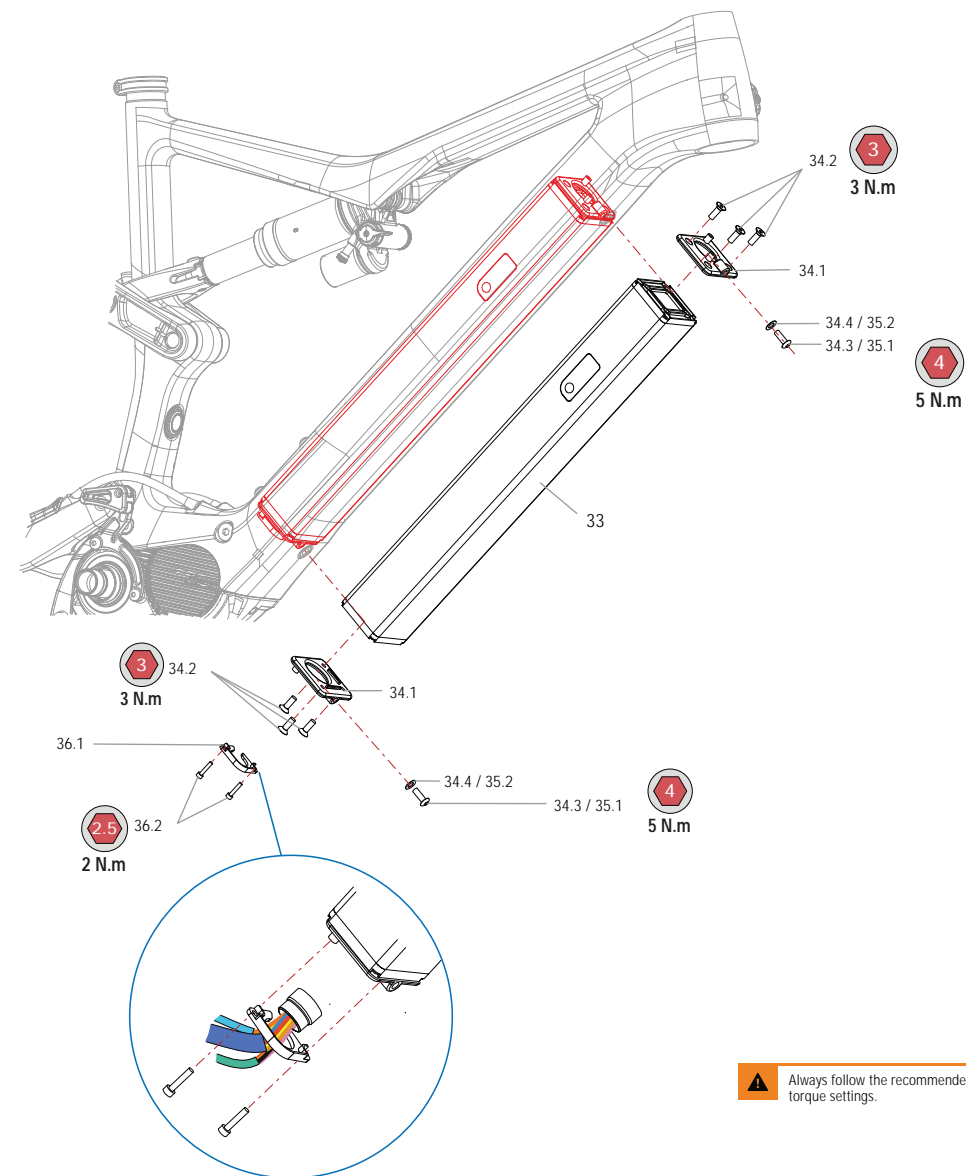
#### 36 BATTERY CABLE FIXING PLATE KIT RISE

ART N°: X2290000 QTY.



36.1 BATTERY CABLE FIXING PLATE 1  
36.2 PLATE FIXING BOLT 2

### INTERNAL BATTERY FIXING HARDWARE AND EXPLODED VIEW



Always follow the recommended torque settings.

## INTERNAL BATTERY REMOVAL. INFORMATION FOR ORBEA DEALERS

### NOTICE



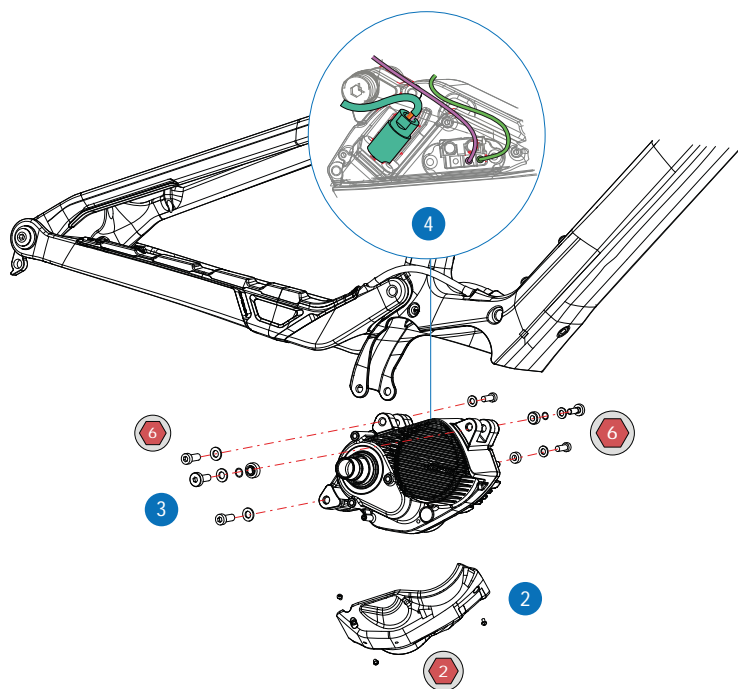
The installation and replacement of the electric system components requires an advanced technical knowledge and may therefore be beyond the skills of most users.

Always take your bicycle to an authorized dealer for the diagnosis, repair and installation of the electric system components.

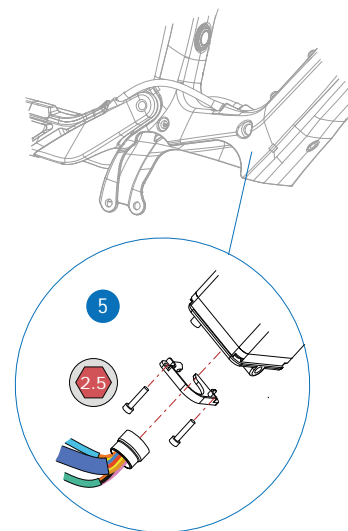
Damage to the components derived from incorrect installation may void the warranty on such components.

Orbea recommends that only authorized dealers perform the removal and/or replacement of the internal battery from Rise. This process requires to remove and install important components of the bicycle and the electric system. If you need to remove the internal battery for transportation, always take your bicycle to an authorized dealer to avoid damaging the components and ensure their correct and safe removal and installation.

1. Remove the cranks and the chainring from the EP8 RS motor.
2. Remove the motor protector.
3. Remove the motor fixing bolts, washers and spacers.
4. Hold the motor to avoid damaging the connections and disconnect the motor power cable and the speed sensor and display cables.

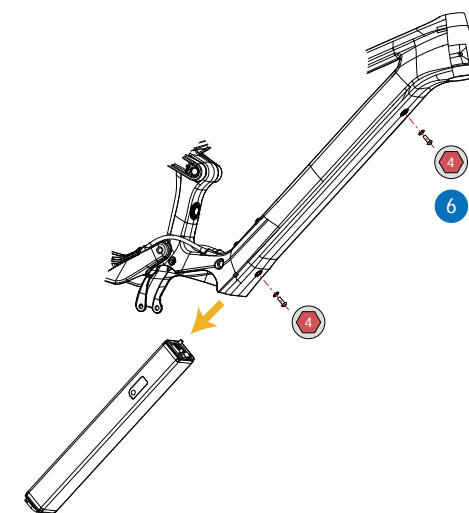


5. With the battery inside the frame, remove the battery cable fixing plate and disconnect the cable from the battery.

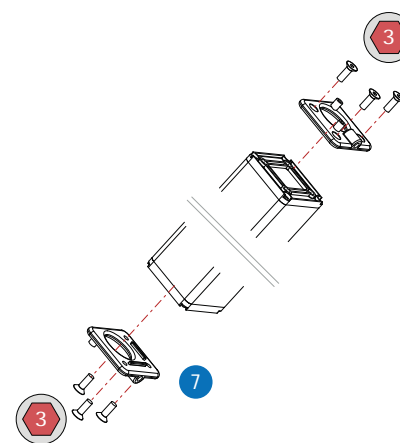


6. Unscrew the downtube battery fixing bolts and carefully remove the battery from the frame to avoid damage to the cables inside the downtube.

7. If the battery is to be replaced, remove the fixing brackets from the battery.



8. To re-install the battery into the frame, follow the reverse procedure. Consult the components assembly order and recommended torque setting in the assembly sections of this manual.



## RS RANGE EXTENDER

The Orbea RS Range Extender connects to Rise to add 252 Wh of extra capacity to the system, bringing the total capacity, together with the internal battery, to 612 Wh. Thus, the Range Extender will extend the range of Rise by 70% when compared to the range achieved with the internal battery only.

### RANGE EXTENDER TECHNICAL SPECIFICATIONS

VOLTAGE	36V
CAPACITY	252 Wh
WEIGHT	1.4 Kg
CELLS	LITHIUM-ION. 18650
CHARGING TIME (2A)	3.5 HOURS
ASSEMBLY	DEDICATED BOTTLE HOLDER MOUNT ON DOWNTUBE
CONNECTION	RANGE EXTENDER CONNECTION CABLE TO RISE CHARGING POINT

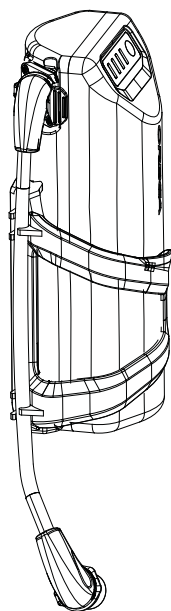
### RANGE EXTENDER ASSEMBLY

Install the Range Extender dedicated mount onto the downtube and fix it in place with the original bolts with a recommended torque setting of 5 Nm.

When installing the Range Extender holder, remove the four washers pre-installed on the frame and make sure that, once installed, the Range Extender's six contact points rest correctly against the downtube.

Install the Range Extender into the mount and secure it with the side o-ring.

The Range Extender bottle holder is compatible with standard bottles when the Range Extender is not installed.



### CONNECTING THE RANGE EXTENDER TO RISE

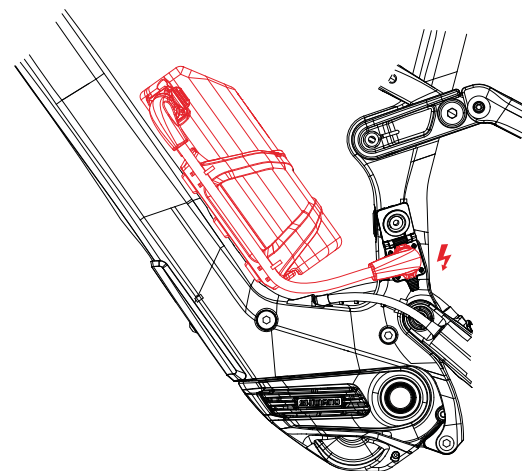
Connect the Range Extender cable to the Range Extender charging point. Open the charging point cover on Rise and connect the free end of the Range Extender cable.

**NOTICE** If Rise was On when connecting the Range Extender to the bicycle, the system will turn itself Off and you will need to turn Rise On again pressing the power button.

This happens so the system can reboot and recognize the Range Extender as part of the power system when Rise is turned On again.

If you were recording an activity with Garmin Connect using Orbea RS Toolbox, this will have no effect on the data recorded in the activity. The Rise data will keep registering when you start using Rise again.

Once you turn Rise on, the Range Extender will be operative. It is not necessary to turn the Range Extender On.



### OPERATION OF THE RANGE EXTENDER

The Range Extender powers the EP8 RS motor directly. When using Rise with a Range Extender connected to the system, the motor will only draw powers from the Range Extender until the Range Extender is depleted. When there is no charge left in the Range Extender, the internal battery will start powering the motor if it had any charge left.

## BATTERY LEVEL

### COMBINED BATTERY LEVEL (INTERNAL BATTERY AND RANGE EXTENDER)

When a Range Extender is connected to Rise, the system calculates the total capacity of both the Range Extender and the internal battery (612 Wh) and the remaining battery level information for the system will take into account the charge left on both batteries out of the total 612 Wh capacity.

The combined battery charge level will be visible on the EW-EN100 junction, the SC-EN800 display or the Orbea RS data field on compatible Garmin units.

Read the Checking the Battery Level section on Use of Rise chapter of this manual to learn more about the different ways of checking the battery level on Rise.

#### EXAMPLES:

BATTERY	BATTERY CHARGE LEVEL	SYSTEM CHARGE LEVEL
RS internal battery (360Wh)	50% (180Wh)	50% (306 Wh of 612 Wh)
Range Extender (252 Wh)	50% (126 Wh)	

BATTERY	BATTERY CHARGE LEVEL	SYSTEM CHARGE LEVEL
RS internal battery (360Wh)	100% (360Wh)	79% (486 Wh of 612 Wh)
Range Extender (252 Wh)	50% (126 Wh)	

### STANDALONE RANGE EXTENDER BATTERY LEVEL

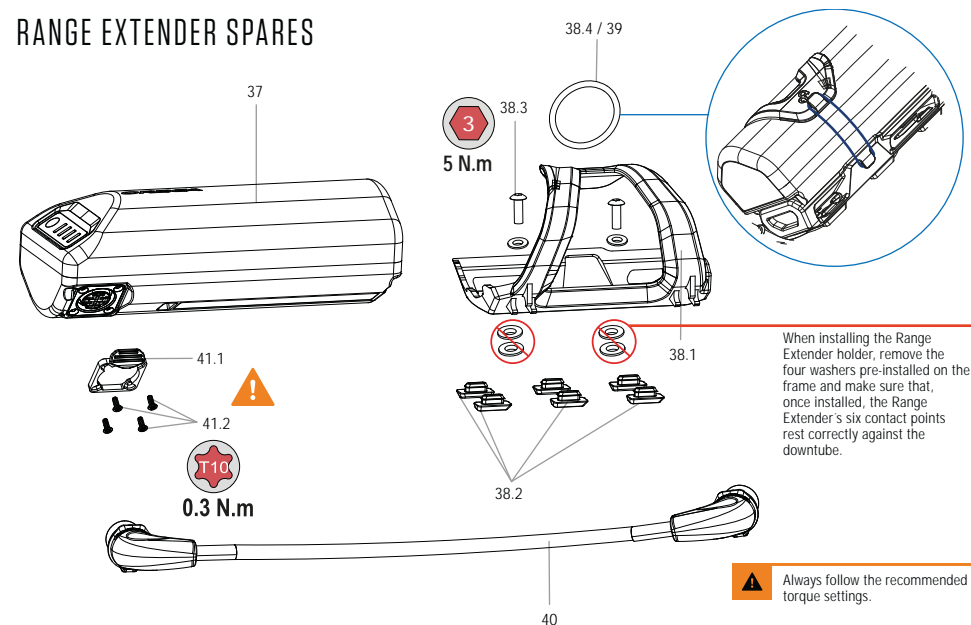
Read the Checking the Battery Level section on Use of Rise chapter of this manual to learn more about the different ways of checking the battery level on Rise.

## CHARGING THE RANGE EXTENDER

Read the Charging the Batteries section on Use of Rise chapter of this manual to learn about the charging procedure of the Range Extender and the internal battery.

**NOTICE** Read the Relevant Information about the RS Batteries section of this manual to know more about the care, use and troubleshooting procedures of the Range Extender and the internal battery.

## RANGE EXTENDER SPARES



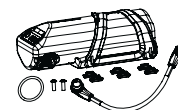
When installing the Range Extender holder, remove the four washers pre-installed on the frame and make sure that, once installed, the Range Extender's six contact points rest correctly against the downtube.

**!** Always follow the recommended torque settings.

**NOTICE** Always use the original washers to install a bottle holder or the Range Extender mount to Rise.

### 37 RS RANGE EXTENDER BATTERY 252 WH

ART N°: Y022



Includes the Range Extender battery all all necessary components to install the RE on Rise.

- RS Range Extender battery 252Wh
- RE chargin point tab
- RE downtube mount
- Rubber protectors
- M5x10 RE mount fixing bolts
- RE connection cable
- Safety o-ring

### 38 RANGE EXTENDER DOWNTUBE MOUNT

Compatible with standard bottles

ART N°: X2230000

	QTY.
38.1 RANGE EXTENDER DOWNTUBE MOUNT	1
38.2 FRAME RUBBER PROTECTOR	6
38.3 M5x10 BOLT	2
38.4 SAFETY O-RING 40x3.5	1

### 40 RANGE EXTENDER CONNECTION CABLE

ART N°: X2250000

	QTY.
RANGE EXTENDER CONNECTION CABLE	1

### 39 SAFETY O-RING KIT

ART N°: X2240000

	QTY.
39.1 SAFETY O-RING 40x3.5	4

### 41 RANGE EXTENDER CHARGE POINT TAB

ART N°: CONTACT ORBEA

	QTY.
41.1 RANGE EXTENDER CHARGE POINT TAB	1
41.2 BOLT M2x8	4

**!** Do not remove or manipulate the Range Extender charge point tab. Doing so may damage the battery and void the warranty. If the tab needs replacing, contact Orbea.

## 12 RELEVANT INFORMATION ABOUT THE RS BATTERIES



For your safety, read the Orbea RS batteries manual before using the internal battery or the Range Extender.

Contact Orbea or an authorized dealer if there is information about the use or installation of the RS batteries that you cannot find on this manual.



Be sure to observe the following in order to avoid burns or other injury from fluid leakage, overheating, fire or explosion.

The information on this manual refers to both the RS internal battery and the Range Extender.

### BATTERY SAFETY INSTRUCTIONS AND WARNINGS

- Only use the RS specific charger and follow the specified charging conditions when charging the battery. Otherwise it may cause overheating, bursting, or ignition of the battery.
- Do not leave the battery near sources of heat such as heaters, vehicles or any dangerous place.
- Do not heat the battery or throw it into the fire.
- Do not deform, modify, disassemble or apply solder directly to the battery.
- Do not connect the (+) and (-) terminals and other terminals with metallic objects. Do not carry or store the battery together with metallic objects such as necklaces or hairpins. It could cause short-circuits, overheating, burns or other injury.
- Do not place the battery into the water, and do not allow the battery terminals to get wet. Otherwise it may cause overheating, bursting, or ignition of the battery.
- Do not puncture or crush the battery.

- If any liquid leaking from the battery gets into your eyes, skin or clothes, immediately wash the affected area thoroughly with clean water, and seek medical advice immediately. The battery liquid can damage your eyes and body.
- If the battery does not become fully charged 2 hours passed the designated 5 hours charging time (3.5 hours + 2 hours for the Range Extender), immediately disconnect the charger and contact an authorized dealer.
- Do not use the battery if it has any external damage.
- Do not use the battery if leakages, discoloration, deformation or any other abnormalities occur.
- Do not recharge the battery in wet or very humid places, or outdoors.
- Do not insert or remove the charger while it is wet. Otherwise it may cause electric shocks. If there is water leaking out of the mains socket or the charger, dry it thoroughly before inserting using it.
- Do not store in direct sunlight or in places (such as inside cars) where the heat can become excessive. Keep away from heat and open flames. This may result in battery leakage.
- Use both hands when handling the batteries to avoid the damages and injury.
- If an error occurs during discharge or charging, stop using the battery immediately and refer to the user's manual. If you are not sure, consult Orbea or an authorized dealer.
- Do not clean the battery with high pressure water spray.
- Do not use alcohol, solvents or abrasive cleaners to clean the battery or the charger. Use a dry or slightly damp cloth.
- Children should be supervised to ensure that they do not play with the battery & charger.

- If the battery exploded, contact the emergency services immediately, and cautiously remove other batteries if possible, evacuate everybody from the area around the fire, and use plenty of cold water (min. 10 times the battery weight) to put out the fire before the rescue.

### BATTERY STORAGE INSTRUCTIONS

- Store the battery in a safe place away from reach of infants and pets.
- If the battery is stored in temperatures which are outside these ranges, fire hazards and/or damages to the battery may occur.
- **Storage Temperature range: 0°C ~ 35°C, avoid big temperature changes.**
- If you are not going to use the battery for a long period of time, store it away with approximately 70% of battery charge. Check the charge level every three months and never let the charge drop below 10%.
- Store the battery or bicycle on which the battery is installed in cool indoor places (approx. 0°C ~ 25°C) where they do not become exposed to direct sunlight or rain. If the storage temperature is low or high, the performance of the battery is reduced, and its available range per charge will be reduced. When you use the battery after a long storage period, be sure to charge it before use.
- Temperature above 70 °C may result in battery leakage and rupture.

### BATTERY USE INSTRUCTIONS

- The operating temperature ranges for the battery are given below. Do not use the battery in temperatures outside these ranges.
- If the battery is used in temperatures which are outside these ranges, it may cause fire or injuries.

- **Only use the battery within the discharge temperature range: -10°C ~ 50°C.**

- **Only charge the battery within the charging temperature range: 0°C ~ 40°C.**

- The battery must be charged in an ambient temperature, on a non-flammable and dry surface, away from any sources of heat, humidity or flammable materials.

- If the battery has been charged in a low temperature environment (0 °C or below), the available range per charge will decrease.

- If your wish to transport or ship the battery, observe the current regulations of Hazardous Goods. Use a certified courier and packaging.

### BATTERY ASSEMBLY INSTRUCTIONS

- Do not use the battery immediately after buying it. Make sure to fully charge the battery before its first use.
- Always switch off the battery and the e-bike system when you insert or remove the battery from the e-bike.

### CHARGING AND SAFETY INSTRUCTIONS

- The battery is not fully charged at the time of purchase. Before riding, be sure to fully charge the battery.
- Only use the RS charger to charge the battery.
- Always turn the bicycle and battery off before connecting or disconnecting the charger from the charge port.
- Be sure the bicycle's charge port and mains socket are always clean and dry before connecting the charger.
- Never use the charger if you suspect it is damaged or known to be broken.
- Do not disassemble or modify the battery charger.

- Always keep the bicycle charge point cover closed when the charger is not connected.
- Do not introduce metallic object into the battery pins or the charging port.
- Do not allow the battery charger to get wet or use it while it is wet. Do not hold the charger with wet hand to avoid electric shocks.
- Do not use the charger when it is covered with a cloth or other material.
- Do not touch the metallic parts of the batteries or their charger to avoid electric shocks.
- Do not use the charger to charge the battery outdoors or in environments with high humidity. Avoid exposure to rain or wind.
- Do not hold the charger by its cable when carrying it and avoid wrapping the cable around the main body of the charger when storing it.
- Do not pedal or perform any kind of battery discharging operation while the charger is connected.
- Always remove the Range Extender from the bicycle before washing it with water or any other liquid.
- Wait for an hour if you would like to charge the battery after riding. The battery temperature might be too high.
- It is recommended to charge the battery in an area with a smoke detector.
- It is not recommended to have the battery connected permanently to the charger to avoid damage to the battery in case the charging cut off circuit fails.

## RECYCLE

- Battery packs, accessories and packaging should be sorted for environmental-friendly recycling.
- Lithium ion batteries are recyclable, valuable resources. For information on used batteries, enquire your local authorities. Consult Orbea or the bicycle dealer if unclear.
- The battery may not be disposed of as household waste. It would be accepted at the point of sale and duly disposed of.

## WARRANTY INFORMATION

- Charge the battery at least every 3 months to approximately 70% of its capacity, even when the bicycle is not in use.
- Products are not guaranteed against natural wear and deterioration from normal use and aging.
- The life of the battery will vary depending on factors such as the storage method, the usage conditions, the surrounding environment and the characteristics of the individual battery.
- If the battery has become completely empty, charge it as soon as possible. If the battery is left uncharged, it may cause the battery to deteriorate and become unusable.
- Please do not disassemble the battery or other related parts, including labels. It may cause the battery to lose its warranty.
- Read the Warranty section of this manual to learn more about the Orbea warranty and the warranty claim process.

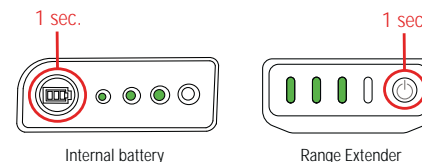
## EXPLANATION OF THE BATTERIES LED CHARGE INDICATORS

- If a battery is not used for two hours, it will power itself down automatically.

### BATTERY CHARGE LEVEL INDICATIONS

#### 1. During use or when the battery is not being charged.

Hold the battery main button for 1 second. The LED indicators will show the battery level in 25% increments.



### CHARGE LEVEL

### LEDs

75% ~ 100%



50% ~ 74%



25% ~ 49%



5% ~ 24%



0% ~ 4%



#### 2. While charging.

(The LED indicators will switch off 5 seconds after the battery is fully charged).

100%



75% ~ 99%



50% ~ 74%



25% ~ 49%



0% ~ 24%



LED On



LED flashes at 2 Hz







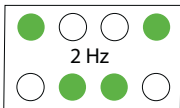

LED flashes at 1 Hz



LED Off

## BATTERY ERROR CODES AND TROUBLESHOOTING

- If pressing the battery power button does not turn on the LED display, the protection circuit is operating. To release the protection circuit, please charge the battery by connecting the RS charger.
- If the LED starts flashing as shown in the table below when pressing the battery main button or while the battery is charging, follow the recommended actions to release the protection functions or conduct some necessary check actions accordingly.

MEANING OF THE ERROR CODES	LEDs	RECOMMENDED ACTION
Battery run out of capacity and triggered the lowest voltage protection.		Start to charge the battery.
Battery triggered the high temperature or low temperature protection.		Place the battery in a 5°C ~ 40°C environment.
Battery triggered the short circuit protection.		Remove any external object that may be causing the short circuit and check all cables. Wait for 30 minutes.
Battery triggered the permanent failure protection or further safety protections.		Stop charging the battery immediately and contact an authorized dealer.
Battery triggered the over charge current protection.		Disconnect the charger to interrupt the charging process. Wait 30 seconds.
After using the battery for a long period of time, the LED flash for 10 seconds only while charging.		Contact an authorized dealer to diagnose the state of the battery.



## 13 SUSPENSION FOX FORKS SETTINGS

Read the complete manual of the Fox forks specified on Rise from the manufacturer's documentation.

### FOX 36 FLOAT GRIP 2 FORK MANUAL

[www.ridefox.com/fox17/help.php?m=bike&id=1082](http://www.ridefox.com/fox17/help.php?m=bike&id=1082)

### FOX 34 FLOAT GRIP & FIT4 FORK MANUAL

[www.ridefox.com/fox17/help.php?m=bike&id=1081](http://www.ridefox.com/fox17/help.php?m=bike&id=1081)

## RECOMMENDED STARTING AIR PRESSURE SETTINGS FOR FOX 34 AND 36 FLOAT FORKS

The tables below give approximate values. The final settings may change depending on riding style and terrain conditions.

RECOMMENDED SAG SETTING	Fork total travel	15% SAG (Firm)	20% SAG (Plush)
FOX 36 FLOAT	150mm	23mm	30mm
FOX 34 FLOAT	140mm	21mm	28mm

### RECOMMENDED AIR PRESSURE FOR SAG SETTING

FOX 36 FLOAT			FOX 34 FLOAT		
Rider+equipment weight (Kg)	Rider+equipment weight (Lb)	Pressure (psi)	Rider+equipment weight (Kg)	Rider+equipment weight (Lb)	Pressure (psi)
54-59	120-130	66	54-68	120-150	58-68
59-64	130-140	70	68-82	150-180	72-82
64-68	140-150	74	82-95	180-210	86-96
68-73	150-160	78	95-113	210-250	100-114
73-77	160-170	82			
77-82	170-180	86			
82-86	180-190	89			
86-91	190-200	94			
91-95	200-210	99			
95-100	210-220	105			
100-104	220-230	109			
104-109	230-240	113			
109-113	240-250	117			

## SUGGESTED REBOUND SETTINGS FOR FOX 34 AND 36 FLOAT FORKS

The rebound adjustment depends on the shock air pressure. The more air pressure, the more closed the rebound circuit will have to be.

Use the final air pressure on your shock to find the correct rebound setting. Turn the rebound dial clockwise to the fully closed position.

Then count "clicks" as per the table below.

RECOMMENDED REBOUND SETTINGS

FOX 36 FLOAT			FOX 34 FLOAT				
Rider+equipment weight (Kg)	Rider+equipment weight (Lb)	36 GRIP (clicks)	36 GRIP 2		Air pressure	FIT 4 (clicks)	GRIP (clicks)
			LSR (clicks)	HSR (clicks)			
54-59	120-130	13	9	8	65psi/ 4.5 bar	8	13
59-64	130-140	12	8	7	70psi/ 4.8 bar	8	12
64-68	140-150	11	7	6	74psi/ 5.1 bar	7	11
68-73	150-160	10	7	6	80psi/ 5.5 bar	7	10
73-77	160-170	9	6	5	85psi/ 5.9 bar	6	9
77-82	170-180	8	6	5	90psi/ 6.2 bar	6	8
82-86	180-190	7	5	4	96psi/ 6.6 bar	5	7
86-91	190-200	6	4	3	101psi/ 7.0 bar	5	6
91-95	200-210	5	4	3	106psi/ 7.3 bar	4	5
95-100	210-220	4	3	2	111psi/ 7.6 bar	4	4
100-104	220-230	3	2	1	117psi/ 8.0 bar	3	3
104-109	230-240	2	2	1	122psi/ 8.4 bar	2	2
109-113	240-250	1	1	0	126psi/ 8.7 bar	1	1

## FOX SHOCKS SETTINGS

Read the complete manual of the Fox shocks specified on Rise from the manufacturer's documentation.

### FOX DPS AND DPX2 EVOL MANUAL

[www.ridefox.com/fox17/help.php?m=bike&id=1079](http://www.ridefox.com/fox17/help.php?m=bike&id=1079)

## SUGGESTED AIR PRESSURE SETTINGS FOR THE FOX DPX EVOL AND DPX2 EVOL SHOCKS

The tables below give approximate values. The final settings may change depending on riding style and terrain conditions.

### RECOMMENDED SAG SETTING

30%

Adjust the shock's air pressure until the desired SAG is achieved. A 25% SAG will give you a firmer feeling with more support. A 30% SAG will provide a plusher riding experience.

Once the desired SAG is achieved, adjust the Rebound depending on the air pressure of your shock.

Use the final air pressure on your shock to find the recommended Rebound setting on the table below. Turn the Rebound dial clockwise until the Closed position.

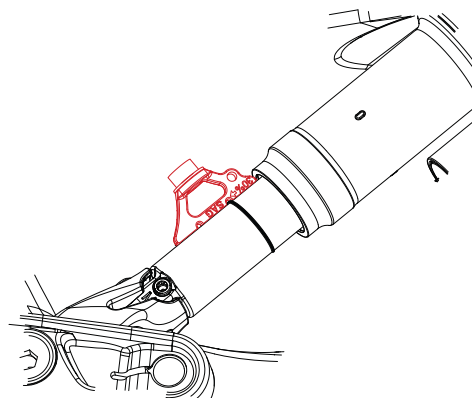
Then count "click" as per the table below counter-clockwise.

You can use the integrated SAG measurement on the linkage preload tool to measure a 30% SAG.

### REBOUND ADJUSTMENT

Based on air pressure after target SAG is achieved.

Air pressure (psi)	Recommended rebound setting (clicks)
<100	Open
100-120	11
120-140	10
140-160	9
160-180	8
180-200	7
200-220	6
220-240	5
240-260	4
260-280	3
280-300	Close
104-109	230-240
109-113	240-250





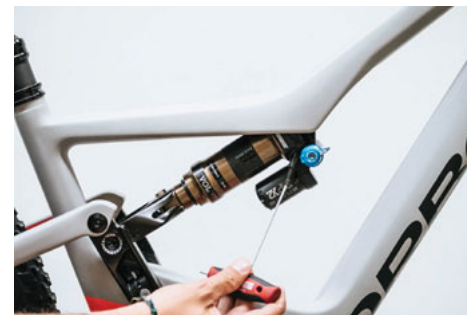
## AIR VOLUMEN REDUCERS ON FOX SHOCKS

The Fox DPX2 shock allows you to modify the air chamber volume to achieve a different progressivity depending on your riding style.

This shock comes from Orbea with a 0.2 volume spacer installed, but a 0.4 is also included if you desire to swap it.

NO REDUCER	MORE LINEAR BEHAVIOR	LIGHT RIDER
		LESS AGRESSIVE RIDING STYLE
WITH 0.2 REDUCER	MORE PROGRESSIVITY	MID-WEIGHT RIDER
		MEDIUM RIDING STYLE
WITH 0.4 REDUCER	MORE PROGRESSIVITY	HEAVIER RIDER
		AGRESSIVE RIDING STYLE

1. To install or remove the air chamber volume reducers, de-inflate completely the shock's air chamber.



2. Unscrew the air chamber sleeve from the shock's head and slide the sleeve downwards.



3. Remove the 0.2 volume reducer from the shock's shaft and install the 0.4 reducer (with the flat face facing up) or leave the shock without any reducers. Do not use metal tools to remove the reducer. Any damage to the shock's shaft will cause air leakages.




4. Slide air chamber sleeve towards the shock's head and screw the sleeve into the head.



5. With a shockpump, inflate the air chamber to the desired pressure.



## 14 DECLARATION OF CONFORMITY



**CE** **DECLARACIÓN DE CONFORMIDAD CE**  
**EC DECLARATION OF CONFORMITY**

**El fabricante / The manufacturer:** Orbea S. Coop.  
Polígono Industrial Goitondo s/n  
48269, Mallabia (Bizkaia) - Spain

**Declara que los siguientes productos / Declares that the following products:**

Descripción / Description : EPAC  
 Marca / Make : ORBEA  
 Modelos / Models : EMX 24, GAIN, KATU, KERAM, OPTIMA, RISE, VIBE and WILD  
 Año de construcción / Year of manufacture : 2020 and 2021

**Cumplen con las siguientes Directivas Europeas / Fulfills the following European Directives:**

- Directiva 2006/42/CE / Directive 2006/42/EC
- Directiva 2004/108/CE / Directive 2004/108/EC
- Directiva 2011/65/CE / Directive 2011/65/EC

**Las siguientes normas armonizadas han sido completamente aplicadas / The following harmonized standards have been fully applied:**

De acuerdo con la Directiva 2006/42/CE / According to Directive 2006/42/EC

- EN 12100

De acuerdo con la Directiva 2004/108/CE / According to Directive 2004/108/EC

- EN 61000-3-2                      - EN 61000-3-3                      - EN 61000-6-1
- EN 61000-6-3                      - 61000-4-2



**Las siguientes normas nacionales y otras especificaciones (o partes de las mismas) han sido aplicadas / The following national standards and other specifications (or parts thereof) have been applied:**

- EN 15194                      - EN 14764


**Persona autorizada para elaborar el expediente técnico / Authorized person to elaborate the technical file:**

Nombre / Name : Aitor Juaristi (Quality Manager)  
 Dirección / Address : Polígono Industrial Goitondo s/n  
 48269, Mallabia (Bizkaia) - Spain

02 / 11 / 2020

Orbea S. Coop.  
 P. I. Goitondo 48269 Mallabia (Bizkaia) - Spain  
 Tel.: + 34 943 171 950 - Fax: + 34 943 174 397  
 orbea@orbea.com - www.orbea.com



## 15 ADDITIONAL INFORMATION

ORBEA participates actively on facebook and Twitter with our fantastic global community of riders. Looking to find spots to ride or plan a vacation? Someone will have the answers:

### FACEBOOK

[www.facebook.com/OrbeaBicycles](http://www.facebook.com/OrbeaBicycles)

### TWITTER

[www.twitter.com/Orbea/](http://www.twitter.com/Orbea/)

### YOUTUBE

Visit our Orbea Channel on You Tube for a variety of helpful setup and tech videos:

[www.youtube.com/user/OrbeaBicycles](http://www.youtube.com/user/OrbeaBicycles)

### INSTAGRAM

[www.instagram.com/orbeabicycles](http://www.instagram.com/orbeabicycles)

### ORBEA CONTENT

View and download photos, videos and documents.

[content.orbea.com/us-en/](http://content.orbea.com/us-en/)

### BLOG ORBEA

[www.orbea.com/es-es/blog/](http://www.orbea.com/es-es/blog/)

### YOUR ORBEA DEALER

Our dealers are experts and should be able to assist you with setting up and maintaining your Orbea bicycle. A complete listing of Orbea dealers and distributors can be located on our website:

[www.orbea.com/us-en/dealers/?country=INT](http://www.orbea.com/us-en/dealers/?country=INT)

### CONTACT

Access Orbea's contact details and form at:

[www.orbea.com/es-es/contacto](http://www.orbea.com/es-es/contacto)

USA:

[www.orbea.com/us-en/contact/](http://www.orbea.com/us-en/contact/)



# ÍNDICE

<b>01 INTRODUCCIÓN</b>	<b>88</b>
Leyenda de símbolos	
<b>02 GARANTÍA ORBEA</b>	<b>90</b>
Garantía legal	
Garantía de por Vida Orbea	
Garantía de componentes del sistema de asistencia eléctrica	
Proceso de reclamaciones de garantía	
<b>03 MANTENIMIENTO</b>	<b>92</b>
Mantén limpia tu bicicleta	
Mantén lubricada tu transmisión	
Inspecciona tu bicicleta antes de cada salida	
Periodos de mantenimiento de los componentes	
Actualizaciones del sistema eléctrico	
Recambios	
Después de un golpe o impacto	
<b>04 ADVERTENCIA DE USO DE RISE</b>	<b>97</b>
Tamaño máximo de cubierta	
Inserción mínima de la tija de sillín	
Longitud máxima de horquilla	
Máximo número de separadores de dirección	
Separadores por encima de la potencia	
Uso previsto	
<b>05 ADVERTENCIAS DE USO DE LOS COMPONENTES DEL SISTEMA DE ASISTENCIA ELÉCTRICA</b>	<b>99</b>
Cuidados y normas de uso de los componentes eléctricos y las baterías	
Autonomía	
Transporte de baterías de bicicletas eléctricas	
Transporte de bicicletas eléctricas	

## 06 USO DE RISE 102

- Encender/apagar Rise
- Visualización del nivel de carga de la batería
- Carga de las baterías
- Cambio del nivel de asistencia
- Errores en el sistema

## 07 ORBEA RS TOOLBOX. VISUALIZACIÓN DE DATOS DEL SISTEMA EN DISPOSITIVOS GARMIN 108

- Instalación y desbloqueo de Orbea RS Toolbox en dispositivos Garmin
- Visualización del campo de datos Orbea RS Toolbox en tu dispositivo
- Uso de Orbea RS Toolbox
- Registro de datos de Rise en actividades con Garmin Connect

## 08 ETUBE PROJECT. PERSONALIZACIÓN DEL SISTEMA DE ASISTENCIA ELÉCTRICA 118

- Visualización de errores en el sistema

## 09 GEOMETRÍA Y ERGONOMÍA 120

- Altura máxima y mínima de sillín con tijas telescópicas

## 10 ESPECIFICACIONES TÉCNICAS 124

- Especificaciones técnicas de Rise
- Especificaciones de los componentes del sistema eléctrico

## 11 MONTAJE Y REPUESTOS 129

- Dirección
  - Dimensiones de la pipa de dirección
  - Especificaciones de la dirección
  - Despiece y montaje de la dirección
- Ejes y pata de cambio
- Punto de giro principal del basculante
- Bieleta
  - Despiece de la bieleta
  - Montaje de la bieleta
- Montaje del amortiguador
- Piecerío y protectores de cuadro
- Guía cadena

- Cableado de cambio y freno trasero
- Cableado de componentes del sistema Shimano EP8
  - Montajes con centralita EW-EN100 (sin display)
  - Diferencias entre montajes con centralita EW-EN100 y display SC-EM800
  - Conexión del sistema EP8 a Etube Professional. Información para distribuidores
- Cableado de componentes Orbea RS
- Fijación del motor shimano EP8 RS
- Batería interna Orbea RS
  - Fijación de la batería interna al cuadro
  - Desmontaje de la batería interna RS. Información para distribuidores
- Batería externa Orbea Range Extender
  - Montaje del Range Extender
  - Conexión del Range Extender a Rise
  - Funcionamiento del Range Extender
  - Visualización del nivel de carga
  - Repuestos del Range Extender

## 12 INFORMACIÓN RELEVANTE DE LAS BATERÍAS RS 156

## 13 SUSPENSIONES 161

- Ajuste de horquillas FOX
- Ajuste de amortiguadores FOX

## 14 DECLARACIÓN DE CONFORMIDAD 166

## 15 INFORMACIÓN ADICIONAL 167

# 01 INTRODUCCIÓN

Este manual técnico contiene información importante de tu bicicleta sobre su uso, mantenimiento y repuestos. Léelo con atención.

Este documento es un suplemento del Manual General de Usuario de bicicletas y componentes Orbea, que describe de forma más detallada el uso apropiado y ajuste de los componentes generales de las bicicletas para una circulación y operación seguras. Puedes ver y descargar el Manual de Usuario, así como el resto de manuales técnicos de productos Orbea, de nuestra página web:

[www.orbea.com/es-es/sopORTE/manuales](http://www.orbea.com/es-es/sopORTE/manuales)

Puedes consultar la información relevante de uso, mantenimiento y características de los componentes de otros fabricantes montados en nuestras bicicletas, como ruedas, manillares, sistemas de asistencia al pedaleo, horquillas de suspensión, etc., en la web del fabricante en cuestión o a través de su distribuidor en tu país.





## LEYENDA DE SÍMBOLOS


A lo largo de este manual técnico, se utilizan varios símbolos que detallan instrucciones y advertencias de uso, mantenimiento y montaje. Presta atención a estos símbolos para evitar situaciones peligrosas y asegurar el uso y montaje correcto de todos los componentes.


El significado de estos símbolos se explica a continuación. En este manual, puede que el símbolo aparezca acompañado únicamente de la instrucción relevante para el componente en que describe. Lee la siguiente información con atención para entender su significado.


### INSTRUCCIONES DE SEGURIDAD


 **PELIGRO:** Situación peligrosa que, si no se evita, provocará lesiones graves o incluso la muerte.

 **ADVERTENCIA:** Situación peligrosa que, si no se evita, puede causar lesiones graves o incluso la muerte.

 **ATENCIÓN:** Situación peligrosa que, de no evitarse, podría provocar lesiones leves o moderadas.

 **AVISO:** Situación no relacionada con lesiones físicas. Información relevante.

 **RIESGO DESCARGA ELÉCTRICA:** Situación peligrosa que, si no se evita, puede causar lesiones graves por descarga eléctrica, o incluso la muerte.

 **RIESGO CORTOCIRCUITO:** No observar las indicaciones puede producir cortocircuitos en los componentes eléctricos, pudiendo ser causa de daños en los componentes e incendios.


*Los símbolos PELIGRO y ADVERTENCIA siempre implican un riesgo de accidente si no se toman medidas para evitar la situación que describen. Un accidente circulando con una bicicleta siempre puede conllevar riesgo de lesiones graves o incluso de muerte. En este manual no siempre se repetirá el riesgo de muerte cuando aparezcan estos símbolos, ya que el riesgo se detalla en este punto.*


### HERRAMIENTAS





**PARES DE APRIETE:** El par de apriete correspondiente (en newton/metro) aparece indicado debajo del símbolo de la herramienta a usar para el elemento que describe.

### TIPO DECOMPUESTO

 **ACEITE:** Lubricación ligera de elementos como cadenas y cables.

 **GRASA:** Grasa de montaje de calidad para evitar ruidos y fijación de elementos.

 **PASTA DE CARBONO:** Compuesto de montaje para elementos de carbono para aumentar fricción entre elementos.

 **LOCTITE SERIE 600:** Fijador de piezas cilíndricas.

 **LOCTITE SERIE 200:** Fijador o trabarrosas. Resistencia media.

 **LOCTITE SERIE 400:** Adhesivo instantáneo.

## 02 GARANTÍA ORBEA

Nuestro esfuerzo continuo y diario por ofrecer la máxima calidad en nuestras bicicletas nos permite brindar la siguiente garantía y condiciones de cobertura:

### GARANTÍA LEGAL

Orbea ofrece al propietario original de la bicicleta Orbea, horquilla rígida o el componente OC una garantía legal de 2 años desde el momento de la compra del artículo, o el periodo estipulado como garantía legal en el país de compra.

Esta garantía cubre todos los productos de Orbea frente a defectos de fabricación y/o falta de conformidad y garantiza la reparación o sustitución del producto defectuoso sin coste adicional para el cliente afectado. Igualmente, esta garantía cubre también los defectos de pintura, barniz y corrosión de todos los cuadros y horquillas rígidas que montamos en nuestras bicicletas por el periodo especificado en el párrafo anterior de esta garantía.

Esta garantía no cubre en ningún caso los daños derivados de un uso inadecuado, caídas o accidentes o falta de mantenimiento, así como el deterioro habitual de las piezas de desgaste tales como, a título meramente informativo y no limitativo: retenes, rodamientos, cinta de manillar, radios, cubiertas, sillines, etc.

Para conocer la descripción completa de las condiciones de la cobertura y la garantía legal, visita:

[www.orbea.com/es-es/garantia](http://www.orbea.com/es-es/garantia)

### GARANTÍA DE POR VIDA ORBEA

Como complemento a la garantía legal, Orbea ofrece al comprador original de la bicicleta, siempre que haya registrado su producto en el sitio web de Orbea en los 30 días siguientes a la compra, la garantía comercial de por vida Orbea, que cubre los cuadros y horquillas rígidas que montamos en nuestras bicicletas sin límite temporal frente a defectos de fabricación y conformidad de los materiales.

Esta garantía amplía el periodo original de cobertura de los defectos de pintura, barniz y corrosión de los cuadros y horquillas rígidas durante un año más al final del periodo de garantía legal.

La garantía comercial de por vida Orbea sólo cubre cuadros y horquillas rígidas, no componentes OC.

Para conocer la descripción completa de las condiciones de la garantía de por vida, visita:

[www.orbea.com/es-es/garantia/#garantia-deporvida-orbea](http://www.orbea.com/es-es/garantia/#garantia-deporvida-orbea)

## REGISTRA TU BICICLETA

Para beneficiarte de la ampliación de la garantía de por vida Orbea, debes registrar tu bicicleta en los 30 días siguientes a su compra en:

[www.orbea.com/es-es/acceso-registro?from=register-plate/](http://www.orbea.com/es-es/acceso-registro?from=register-plate/)

### 01. REGISTRA TU CUENTA

### 02. REGISTRA TU MATRÍCULA

### 03. DONDE ENCONTRAR TU MATRÍCULA



## GARANTÍA DE COMPONENTES DEL SISTEMA DE ASISTENCIA ELÉCTRICA

### COMPONENTES SHIMANO STEPS

Los componentes del sistema eléctrico Shimano STEPS (motor, display, sensor de velocidad, pulsador de cambio de nivel de asistencia, centralita y cableado Di2) están cubiertos por una garantía legal de 2 años desde el momento de la compra del artículo o la bicicleta, o el periodo estipulado como garantía legal en el país de compra.

### COMPONENTES RS EXCLUSIVOS ORBEA

Los componentes RS del sistema eléctrico exclusivos de Orbea (batería interna, Range Extender, cable harness de conexión a la batería, motor y puerto de carga y el interruptor de encendido del sistema) están cubiertos por una garantía legal de 2 años desde el momento de la compra del artículo o la bicicleta, o el periodo estipulado como garantía legal en el país de compra.

Estas garantías cubren todos los productos de Shimano y Orbea frente a defectos de fabricación y/o falta de conformidad y garantiza la reparación o sustitución del producto defectuoso sin coste adicional para el cliente afectado.

Esta garantía no cubre en ningún caso los daños derivados de un uso inadecuado, caídas o accidentes, instalación incorrecta o falta de mantenimiento o no observación de las indicaciones de uso, almacenamiento, carga, etc. de este manual.

La pérdida de capacidad de las baterías RS (batería interna y Range Extender) debido al envejecimiento natural de las mismas por uso, carga y almacenamiento no está contemplado dentro de las condiciones de garantía.

## PROCESO DE RECLAMACIONES DE GARANTÍA

Todas las reclamaciones de garantía deben ser procesadas a través de un distribuidor autorizado Orbea, quien realizará el diagnóstico inicial y remitirá a Orbea, Shimano o el fabricante del componente de la reclamación toda la documentación necesaria para realizar un diagnóstico completo de la reclamación en cuestión. El distribuidor informará al propietario del estado del proceso y de la decisión sobre la reclamación de garantía por Orbea, Shimano o el fabricante del componente en cuestión.

### RECLAMACIONES DE GARANTÍA Y REPARACIÓN DE COMPONENTES DEL SISTEMA DE ASISTENCIA ELÉCTRICA

**SHIMANO:** La tramitación de reclamaciones de garantía o reparación de los siguientes componentes del sistema eléctrico serán procesadas a través de Shimano:

- Motor Shimano EP8 RS.
- Display SC-EN800.
- Centralita EW-EN100.
- Sensor de velocidad.
- Cableado específico STEPS/Di2.
- Maneta de cambio de nivel de asistencia SW-EM800L.

**ORBEA:** La tramitación de reclamaciones de garantía o reparación de los siguientes componentes del sistema eléctrico serán procesadas a través de Orbea:

- Batería externa Range Extender.
- Batería interna Orbea RS 360Wh
- Cable harness de conexión a la batería interna, al motor y al puerto de carga.
- Interruptor de encendido del sistema eléctrico.

Te recomendamos que siempre acudas al distribuidor donde compraste tu bicicleta para tramitar una reclamación de garantía, o a aquel que elegiste durante el proceso de compra de una bicicleta que te fue entregada directamente en tu domicilio. En caso de no poder acudir al distribuidor original, puedes comprobar la lista de distribuidores autorizados en nuestra web o contactar con Orbea para que te indiquemos el distribuidor al que acudir.

[www.orbea.com/es-es/distribuidores/?country](http://www.orbea.com/es-es/distribuidores/?country)

[www.orbea.com/es-es/contacto/](http://www.orbea.com/es-es/contacto/)

## 03 MANTENIMIENTO

Los productos Orbea son cuidadosamente diseñados para ser duraderos, eficientes y fáciles de mantener. Los cuadros y horquillas de carbono y aluminio son extremadamente resistentes a la corrosión.

Sin embargo, tu bicicleta necesita un mantenimiento periódico de sus componentes para asegurar su correcto funcionamiento, seguridad y longevidad.

### MANTÉN LIMPIA TU BICICLETA

Limpia tu bicicleta con agua y jabón suave de manera regular para mantenerla como el primer día y poder comprobar el estado del cuadro y sus componentes. No utilices agua a presión, ya que podría dañar componentes como los rodamientos o los tubos del cuadro.

Los desengrasantes a base de cítricos son biodegradables y resultan muy eficaces para eliminar la grasa de los componentes de la transmisión y la cadena.



La suciedad acumulada puede dificultar la inspección visual de los componentes y ocultar daños que podrían potencialmente producir averías o accidentes.

### AVISO

La suciedad acumulada provoca el desgaste prematuro de los componentes, y puede incluso dañar el cuadro de la bicicleta en zonas como alojamientos de rodamientos y partes móviles. Los daños por falta de limpieza y mantenimiento no están contemplados por las coberturas de garantía.

### MANTÉN LUBRICADA TU TRANSMISIÓN

Una vez hayas limpiado tu bicicleta, lubrica la transmisión, concretamente la cadena. Utiliza la mínima cantidad necesaria para lubricar los eslabones, limpiando cualquier exceso para evitar que éste atraiga la suciedad y provoque que la transmisión no funcione correctamente y el desgaste prematuro de los componentes.



Evita el uso de lubricantes en aerosol para que éstos no se depositen en las superficies de frenado. Siempre comprueba los frenos tras lubricar la transmisión.

### INSPECCIONA TU BICICLETA ANTES DE CADA SALIDA

Realiza una inspección rápida antes de cada salida para verificar que tu bicicleta se encuentra en óptimo estado de funcionamiento. Podrías encontrar pequeños problemas que se pueden convertir en incidencias importantes durante el trayecto.

**CUADRO:** Inspecciona el cuadro y la horquilla en busca de daños o grietas. No debe presentar ruidos extraños. Ante cualquier daño en el cuadro, evita el uso de la bicicleta y contacta con tu distribuidor autorizado para una revisión.

**CADENA:** Debe estar limpia y lubricada, y la transmisión no debe producir ruidos fuera de lo normal.

**FRENOS:** Verifica que los frenos funcionan correctamente y de manera segura. Verifica los pares de apriete de los componentes.

**CUBIERTAS:** Comprueba el desgaste de las cubiertas y busca cortes en la banda de rodadura o en los laterales, si encuentras daños, reemplaza la cubierta. Comprueba que la presión de los neumáticos es la adecuada.

**RUEDAS:** Comprueba que las ruedas giran de manera suave y que no tiene desviaciones laterales. Tira ligeramente de la rueda hacia los lados para comprobar que no hay ningún juego lateral en los rodamientos. Verifica que no haya ningún radio roto o flojo. Comprueba que los ejes o cierres rápidos están apretados de manera segura y al par de apriete correcto.

**DIRECCIÓN:** Acciona el freno delantero y mueve la parte frontal de la bicicleta hacia adelante y hacia atrás ejerciendo presión en el manillar con la rueda delantera en

el suelo. Comprueba que no haya ruidos extraños o movimiento de la dirección, que podría indicar que los rodamientos están gastados o la dirección no está apretada correctamente. Con la dirección ajustada correctamente, comprueba que la dirección gira de manera suave.

**PUNTOS DE GIRO DEL BASCULANTE:** En bicicletas de doble suspensión, comprueba que todos los puntos de giro del basculante giren de manera suave y no presenten juego en los rodamientos. Tira del basculante hacia un lado y otro de la bicicleta y presta atención a ruidos o juego en los puntos de giro. Si el basculante no funciona suavemente o presenta juego, podría ser un indicador de que los pares de apriete no son correctos o que los rodamientos están desgastados o dañados.

**RODAMIENTOS:** Los rodamientos (eje de pedalier, puntos de giro del basculante, dirección, ruedas, etc) son elementos de desgaste que deben ser comprobados periódicamente para garantizar su correcto funcionamiento. Rodamientos en mal estado pueden dañar los componentes en los que están instalados. Condiciones meteorológicas adversas aceleran el desgaste de los rodamientos. Rodamientos que presentan juego o que no giran suavemente deben ser reemplazados inmediatamente. Ante cualquier duda, consulta con tu distribuidor autorizado.

**AVISO** Daños en componentes como el cuadro, ruedas de tu bicicleta, etc, derivados de falta de mantenimiento y sustitución de los rodamientos no están cubiertos por las condiciones de la garantía.

**SISTEMA ELÉCTRICO:** Enciende la bicicleta y comprueba que el sistema eléctrico funciona correctamente. Comprueba que haya asistencia eléctrica y que todos los componentes funcionan (motor, display, cambio de asistencia y sensor de velocidad).

Si no hay asistencia eléctrica, comprueba todas las conexiones entre los componentes y el estado de los mismos y los cables (cables o componentes que muestren daños deben ser reemplazados).

Comprueba si hay errores en el sistema eléctrico. El display SC-EN800 mostrará el código de error si lo hubiese. La centralita EW-EN100 mostrará si hubiese un error en el sistema haciendo parpadear ambos LED simultáneamente.

Conecta la bicicleta a la aplicación Shimano Etube para conocer el código del error.

Conociendo el código de error, sigue las recomendaciones de la aplicación para dicho error o consulta el manual de usuario del sistema Shimano STEPS. Si el sistema eléctrico sigue sin funcionar tras aplicar el método descrito, o si no hay un método a aplicar por el usuario, lleva tu bicicleta a un distribuidor autorizado para su diagnóstico y reparación.

**⚠** No seguir las indicaciones descritas en estos puntos y utilizar una bicicleta que presenta los síntomas descritos puede provocar accidentes y lesiones graves.

**⚠** **PARES DE APRIETE.** Siempre comprueba los pares de apriete e instala los componentes descritos en este manual siguiendo las indicaciones del par de apriete. Sigue las indicaciones de pares de apriete para componentes de otros fabricantes instalados en tu bicicleta Orbea. No observar estas indicaciones puede conducir a la falla de los componentes, accidentes e incluso la muerte.

## PERIODOS DE MANTENIMIENTO DE LOS COMPONENTES

**AVISO** Los periodos de mantenimiento de los componentes indicados a continuación son orientativos, y dependen en gran medida de factores como las condiciones meteorológicas de uso de la bicicleta (condiciones adversas reducen considerablemente la vida de los componentes y los tiempos de mantenimiento), limpieza de la bicicleta y sus componentes (componentes con suciedad acumulada se desgastan más rápidamente) y uso (un uso más exigente de la bicicleta requerirá periodos de mantenimiento más cortos).

Para componentes de otras marcas montados en bicicletas Orbea, puedes comprobar los periodos de mantenimiento recomendados u obligatorios en la web del fabricante o contactando con el distribuidor de la marca en tu país.

**AVISO** Daños en los componentes derivados del no cumplimiento de los periodos de mantenimiento podría ocasionar daños que no estarían cubiertos por las condiciones de garantía de Orbea o del fabricante del componente.

**⚠** El no cumplimiento de los periodos de mantenimiento puede producir daños en los componentes que deriven en averías y accidentes.

### DIRECCIÓN:

- Inspección del funcionamiento antes de cada uso de la bicicleta.
- Desmontaje e inspección manual de los rodamientos cada 6 meses de uso.

### PEDALIER:

- Inspección del funcionamiento antes de cada uso de la bicicleta.
- Desmontaje e inspección manual de los rodamientos cada 6 meses de uso.

### TRANSMISIÓN:

- Inspección del funcionamiento antes de cada uso de la bicicleta.
- Inspección regular del desgaste de la cadena cada 500 km. Una cadena gastada más allá de las recomendaciones del fabricante debe ser sustituida para evitar daños al resto de componentes de la transmisión. No observar las indicaciones de desgaste del fabricante podría requerir la sustitución del resto de elementos de la transmisión.

### RUEDAS:

- Inspección del funcionamiento antes de cada uso de la bicicleta.
- Desmontaje y revisión manual de los rodamientos y todos los componentes cada 6 meses.

### AMORTIGUADORES Y HORQUILLAS DE SUSPENSIÓN:

- Inspección del funcionamiento antes de cada uso de la bicicleta.
- Revisión y mantenimiento completo cada 125 horas o anual (lo que antes ocurra) por el distribuidor autorizado por el fabricante.

### TIJAS TELESCÓPICAS:

- Inspección del funcionamiento antes de cada uso de la bicicleta.

- Revisión y mantenimiento completo cada 125 horas o anual (lo que antes ocurra) por el distribuidor autorizado por el fabricante.

### PUNTOS DE GIRO EN CUADROS DE DOBLE SUSPENSIÓN:

- Inspección del funcionamiento antes de cada uso de la bicicleta.
- Desmontaje del cuadro e inspección manual de todos los rodamientos cada 125 horas de uso o anual (lo que antes ocurra). Estos tiempos podrían acortarse dependiendo de las condiciones de uso de la bicicleta. Un uso exigente de la bicicleta o en condiciones meteorológicas adversas o con barro requiere el desmontaje e inspección del cuadro cada 75 horas de uso o cada 6 meses (lo que antes ocurra). Si un rodamiento no gira suavemente o tiene juego, debe ser reemplazado inmediatamente.

### CABLES Y FUNDAS DE CAMBIO:

- Inspección del funcionamiento antes de cada uso de la bicicleta.
- Sustitución de cables de cambio cada 6 meses o un año, dependiendo de las condiciones de uso de la bicicleta.

### FRENOS:

- Inspección del funcionamiento y del desgaste de las pastillas o zapatas de freno antes de cada uso de la bicicleta.
- Comprobación del desgaste de los discos de freno y los cables o líneas hidráulicas cada 6 meses o un año, dependiendo de las condiciones de uso de la bicicleta. Purgado de las líneas hidráulicas cada año.

### COMPONENTES DE ASISTENCIA ELÉCTRICA:

Comprueba regularmente las conexiones y cables de los componentes del sistema de asistencia eléctrica en tu bicicleta. Las conexiones deben estar limpias y no presentar objetos extraños. Los cables deben estar en buen estado y no presentar cortes o dobleces que puedan causar cortocircuitos y falta de asistencia eléctrica.

El exterior de los componentes como mandos remotos y baterías no deben mostrar daños que permitan el ingreso de agua y otros elementos.

Ante cualquier daño de los componentes eléctricos, dirige a tu distribuidor Orbea para su diagnóstico y/o sustitución.



**AVISO** Consulta la sección de condiciones de uso del sistema de asistencia eléctrica de este manual para conocer el cuidado correcto de sus componentes.

#### ACTUALIZACIONES DEL SISTEMA ELÉCTRICO:

Los sistemas de asistencia eléctrica para ebikes pueden ser susceptibles de mejoras o actualizaciones que mejoren el funcionamiento del sistema.

Algunas actualizaciones del sistema Shimano STEPS son realizadas mediante Bluetooth® al conectar tu bicicleta a la aplicación para smartphones Etube Project.

**AVISO** Al realizar una actualización del sistema a través de Bluetooth® usando la aplicación para móviles Etube Project, siempre es recomendable desactivar la conexión a redes móviles y WiFi para evitar que una llamada o mensaje entrante pueda interrumpir la actualización. En caso de que la actualización sea interrumpida y esto provoque algún mal funcionamiento de la bicicleta, lleva tu bicicleta a un distribuidor autorizado Orbea para realizar la actualización usando la interfaz para distribuidores PCE02 de Shimano.

Consulta aquí el manual de la aplicación Shimano Etube Project:

[si.shimano.com/#/es/iUM/7J4MA/](https://si.shimano.com/#/es/iUM/7J4MA/)

Otras actualizaciones deben ser llevadas a cabo por un distribuidor autorizado. Recuerda a tu distribuidor comprobar si existen actualizaciones disponibles para tu bicicleta cuando lleves ésta para mantenimiento o reparaciones.

**⚠** Algunas de estas comprobaciones y mantenimientos están más allá del conocimiento mecánico de la mayoría de usuarios de bicicletas. Si no estás cualificado para realizar los mantenimientos necesarios, acude siempre a un distribuidor Orbea para el mantenimiento de tu bicicleta y sus componentes. No realizar los mantenimientos de manera adecuada puede resultar en averías y accidentes de graves consecuencias.

**AVISO** Mantenimientos realizados de manera incorrecta pueden producir daños en los componentes que no están cubiertos por las condiciones de la garantía.

## RECAMBIOS

Utiliza siempre recambios originales Orbea, Shimano o del fabricante del componente en cuestión.

**⚠** El uso de repuestos no originales puede producir daños que deriven en averías y accidentes de graves consecuencias.

**⚠** La instalación de alguno de los repuestos en este manual técnico está más allá del conocimiento mecánico de la mayoría de usuarios de bicicletas. Si no estás cualificado para instalar estos repuestos, acude siempre a un distribuidor Orbea para el mantenimiento de tu bicicleta y sus componentes. No instalar los repuestos de manera adecuada puede resultar en averías, accidentes y lesiones graves.

**AVISO** La instalación de repuestos no originales pueden producir daños en tu bicicleta que no están cubiertos por las condiciones de garantía.

## DESPUÉS DE UN GOLPE O IMPACTO

Caerse de la bicicleta es inherente al ciclismo. Si sufres un accidente con tu bicicleta Orbea, asegúrate de que te encuentras bien y pide atención médica si es necesario. Si no has sufrido lesiones, deberás comprobar el estado de tu bicicleta antes de continuar.

### INSPECCIONA EL CUADRO Y LOS COMPONENTES DE LA BICICLETA PARA COMPROBAR SI HAN SUFRIDO DAÑOS

Si detectas algún problema, no sigas circulando con la bicicleta.

#### PUNTOS A REVISAR

Inspecciona el cuadro y la horquilla para identificar si cualquiera de estos componentes se ha roto o doblado.

Si detectas alguna rotura o grieta, debes dejar de utilizar la bicicleta inmediatamente. En cuadros de carbono, busca grietas o zonas blandas en el carbono, si detectas alguno de estos síntomas, debes dejar de utilizar la bicicleta inmediatamente.

**⚠** Los materiales utilizados en cuadros y horquillas de carbono son rígidos y fuertes, pero ante una sobrecarga o impacto, las fibras no se doblan, se rompen. Un impacto lo suficientemente fuerte en este material podría producir daños que, aunque no visibles a primera vista, podrían producir un fallo de los materiales en el futuro. Ante cualquier duda de las consecuencias de una caída o accidente, contacta con tu distribuidor Orbea para un correcto diagnóstico de los materiales.

Comprueba la transmisión y las ruedas para asegurarte de que los componentes funcionen correctamente. Si descubres algún daño en los componentes, deja de utilizar la bicicleta inmediatamente.

Incluso en el caso de que no observes daño alguno, presta la máxima atención al sonido de tu bicicleta cuando vuelvas a montar en ella. Las roturas y otros problemas pueden provocar ruidos poco habituales. Si identificas algún ruido poco habitual, deja de usar la bicicleta inmediatamente y contacta con tu distribuidor Orbea para un correcto diagnóstico de la misma.

### LLEVA TU BICICLETA ORBEA A UN DISTRIBUIDOR AUTORIZADO PARA SOMETERLA A UNA INSPECCIÓN PROFESIONAL

Algunas de las consecuencias de una caída o accidente sólo pueden detectarse desmontando la bicicleta completamente para comprobar la presencia de roturas u otras señales de deterioro.

**⚠** Un golpe o impacto pueden ocasionar graves desperfectos en tu bicicleta y en los componentes de ésta, provocando que fallen o se desgasten prematuramente. Los fallos pueden producirse de manera repentina y sin previo aviso, causando la pérdida de control de la bicicleta, lesiones graves o incluso la muerte.

# 04 ADVERTENCIAS DE USO DE RISE

## TAMAÑO MÁXIMO DE CUBIERTA

Este manual técnico especifica el tamaño máximo de cubierta que puede ser montado en el cuadro, siempre respeta estas indicaciones al instalar una cubierta en tu bicicleta.

Sin embargo, las medidas reales de circunferencia y ancho de cubierta pueden cambiar de un fabricante a otro. Al instalar una cubierta diferente a la que montaba tu bicicleta Orbea originalmente, comprueba que la distancia entre la parte superior y los laterales de la cubierta es de al menos 6 mm entre la misma y cualquier parte del cuadro.

**AVISO** Daños en el cuadro o los componentes debidos al uso de una cubierta que no observas estas medidas no están cubiertas por las condiciones de la garantía.

## INSERCIÓN MÍNIMA DE LA TIJA DE SILLÍN

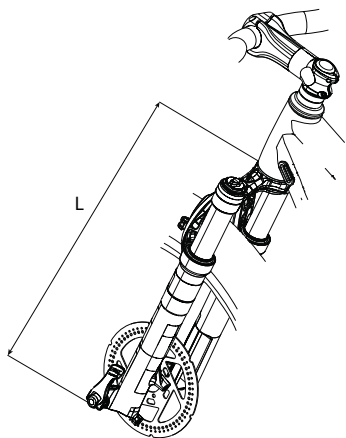
**⚠** Siempre respeta las indicaciones de inserción mínima de la tija a utilizar o del cuadro en bicicletas de carretera con tijas exclusivas Orbea. No respetar estas indicaciones puede producir esfuerzos en los materiales más allá de las condiciones para las que fueron diseñados y producir roturas no cubiertas por las condiciones de garantía, así como accidentes que pueden producir lesiones graves.

## LONGITUD MÁXIMA DE HORQUILLA (AXLE-TO-CROWN)

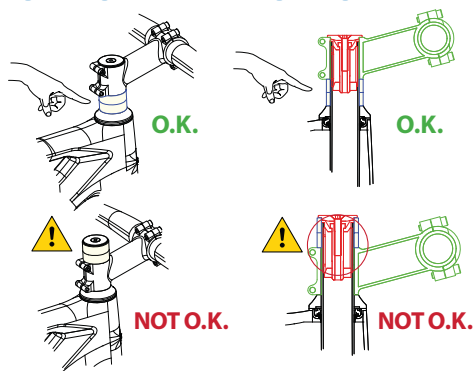
Respetar siempre la longitud máxima de horquilla listada en la sección de especificaciones técnicas de este manual. La longitud máxima de horquilla se refiere a la distancia entre el eje de la horquilla y la parte inferior de la pipa de dirección (axle-to-crown).



No respetar esta medida e instalar horquillas con una longitud mayor que la máxima especificada puede forzar el cuadro más allá de las características para las que fue diseñado, pudiendo producir fallos en el material que podrían ser causa de accidentes y lesiones graves.



## POSICIÓN DE LA ARAÑA DENTRO DEL TUBO DE LA HORQUILLA. SEPARADORES DE DIRECCIÓN POR ENCIMA DE LA POTENCIA



Nunca instales separadores de dirección por encima de la potencia. Colocar separadores por encima de la potencia, especialmente en horquillas con el tubo de dirección de carbono, puede provocar que el expansor de dirección dentro del tubo de la horquilla quede posicionado por encima del límite inferior de la potencia, lo que puede forzar los materiales más allá del uso para los que fueron diseñados, potencialmente provocando accidentes y lesiones graves.



La longitud del tubo de dirección de la horquilla siempre debe ser el adecuado para la posición de la potencia en la horquilla. La potencia siempre debe instalarse en el tubo de dirección de la horquilla de manera que ambos tornillos de amarre de la zona posterior de la potencia estén posicionados sobre el tubo de dirección de la horquilla. Nunca montes la potencia de tal manera que el tornillo superior de amarre de la potencia al tubo de dirección quede más arriba del borde superior del tubo de dirección de la horquilla. Esto forzará los materiales más allá del uso para los que fueron diseñados, potencialmente provocando accidentes y lesiones graves.

## MÁXIMO NÚMERO DE SEPARADORES DE DIRECCIÓN



Nunca uses más separadores de dirección debajo de la potencia que los indicados para el cuadro. Consulta las tablas de especificaciones para saber el número máximo de separadores de dirección que admite un cuadro Orbea. Instalar más separadores que los permitidos puede forzar los materiales más allá del uso para los que fueron diseñados, lo que puede provocar accidentes y lesiones graves.

## USO PREVISTO

El uso previsto para todos los modelos es ASTM Condition 4, que prevee su uso bajo las condiciones 1, 2 y 3, además de senderos naturales técnicos con numerosos obstáculos, de mayor desnivel y por lo tanto las velocidades alcanzadas son mayores. Saltos y cortados frecuentes y moderados.

Estos modelos, debido al terreno, deben ser inspeccionados después de cada uso. El uso en este tipo de terreno requiere habilidades técnicas y puede llevar a ciclistas principiantes a sufrir lesiones.

Para conocer todas las categorías ASTM, consulta el manual de usuario.



# 05 ADVERTENCIAS DE USO DEL SISTEMA DE ASISTENCIA ELÉCTRICA

## CUIDADOS Y NORMAS DE USO DE LOS COMPONENTES ELÉCTRICOS Y LAS BATERÍAS

- No laves tu bicicleta con agua a presión ni sumerjas la bicicleta o los componentes eléctricos. Todos los componentes eléctricos están protegidos contra salpicaduras y lluvia. Sin embargo, el uso de agua a presión puede dañar los componentes y producir cortocircuitos.
  - Evita usar tu bicicleta en condiciones meteorológicas muy adversas. Todos los componentes eléctricos están protegidos contra salpicaduras y lluvia. Sin embargo, condiciones meteorológicas muy adversas pueden dañar los componentes.
  - Evita transportar tu bicicleta fuera de tu vehículo con lluvia. Todos los componentes eléctricos están protegidos contra salpicaduras y lluvia. Sin embargo, las velocidades alcanzadas por tu vehículo pueden acrecentar los efectos de la lluvia en los componentes eléctricos.
- Si vas a transportar la bicicleta fuera de tu vehículo, retira el Range Extender de la bicicleta y comprueba que la tapa del puerto de carga está correctamente cerrada.
- No dejes tu bicicleta o batería expuesta a altas temperaturas durante largos periodos de tiempo. Las altas temperaturas alcanzadas podrían dañar los componentes eléctricos. Temperaturas superiores a 70° pueden causar fugas y peligro de incendio.
  - Respeta los rangos de temperatura de uso (descarga), carga y almacenamiento de la bicicleta (batería interna) y Range Extender. El uso, carga o almacenamiento de las baterías fuera de estos rangos de temperatura puede afectar las celdas y reducir su vida útil y autonomía.

La siguiente tabla de temperaturas refleja los límites máximos de uso, carga y almacenamiento previstos por el fabricante de las celdas. En general, **el uso, carga y almacenamiento de las baterías en temperaturas por debajo de 0°C hará que la autonomía por carga se vea reducida y hacerlo de manera continuada puede afectar la vida útil de la batería.**

#### RANGOS DE TEMPERATURA

Carga	0°C - 40°C
Descarga (uso)	-10°C - 50°C
Almacenamiento	0°C - 35°C

· Evita almacenar tu bicicleta (batería interna) o Range Extender durante largos periodos de tiempo sin vigilar el nivel de carga de las baterías. Si planeas almacenar la batería durante un largo periodo de tiempo, carga la batería alrededor del 70% antes de almacenarla y comprueba el nivel de carga cada 3 meses. Nunca dejes que el nivel de carga baje del 10% para evitar daños a las celdas.

**USO DE LA BATERÍA POR DEBAJO DEL 10% DE CARGA:** Evita descargar la batería por uso de forma continuada por debajo del 10% de carga. Niveles de carga por debajo del 10% puede afectar la vida útil de las celdas y el balanceo de la carga.

· Evita dejar el cargador conectado a la batería durante más de 5 horas de manera continuada y siempre carga la batería bajo supervisión de manera que puedas desconectar el cargador si detectas alguna anomalía como humo, olor a quemado o fuego.

· Evita golpes y caídas de la batería interna y el Range Extender.

Si tras un golpe o impacto la carcasa externa de la batería muestra daños, no cargues o utilices la batería y contacta con un distribuidor autorizado para su diagnóstico.

· Realiza siempre las conexiones de los cables en la orientación correcta. La conexión de los cables sin observar la orientación correcta puede dañar los terminales.

· Antes de cada uso, comprueba que la tapa del punto de carga está correctamente instalada para evitar el ingreso de suciedad y agua en el puerto de carga.

· No utilices herramientas metálicas para limpiar el puerto de carga en caso de que exista suciedad o algún cuerpo extraño.

No dañes los terminales del puerto de carga durante este proceso.

**AVISO** Consulta la sección Información Relevante de las Baterías RS para acceder y más información útil de uso, cuidados y solución de problemas de la batería interna y el Range Extender.

Consulta la documentación de Shimano sobre el sistema STEPS EP8 y sus componentes:

· **Manual de usuario:**

<https://si.shimano.com/api/publish/storage/pdf/es/um/7HCOA/UM-7HCOA-000-SPA.pdf>

· **Manual de distribuidor:**

<https://si.shimano.com/api/publish/storage/pdf/es/dm/EP800/DM-EP800-01-SPA.pdf>

\* Recuerda que la batería interna Orbea RS y la batería externa Range Extender son exclusivas de Orbea. Consulta las instrucciones de uso en este manual.

## AUTONOMÍA

El motor Shimano EP8 RS, junto a las baterías Orbea RS, han sido diseñados para proporcionar la máxima autonomía disponible para un sistema de su reducido peso y dimensiones.

El sistema puede proporcionar autonomías de hasta 4,5 horas con la batería interna (360 Wh) y de hasta 8 horas mediante la conexión del Range Extender (252 Wh), ambas estimaciones utilizando el modo de asistencia ECO.

La autonomía disponible por carga dependerá en gran medida de factores como:

· **MODO DE ASISTENCIA:** El uso de niveles de asistencia más potentes disminuirá la autonomía disponible.

· **PERFIL DE ASISTENCIA:** El perfil de asistencia seleccionado a través de la aplicación Shimano Etube Project variará la autonomía disponible. La selección de perfil de asistencia 2 supone elevar la potencia de cada modo de asistencia, por lo que la autonomía podría verse afectada.

· **PERSONALIZACIÓN DE MODOS DE ASISTENCIA:** Los valores de autonomía aproximados tienen en cuenta los valores de potencia de cada modo de asistencia según los ajustes originales de Orbea. La personalización de la entrega de potencia de cada modo a través de la aplicación Shimano Etube Project afectará la autonomía final de las baterías.

· **TEMPERATURA:** La carga y uso de la batería en bajas temperaturas disminuirá la autonomía por carga.

· Peso del ciclista y equipación/equipaje.

· Potencia de pedaleo del ciclista.

· **TERRENO Y DESNIVEL:** El uso en terreno roto y desniveles positivos afectará la autonomía disponible por carga.

· Paradas y arranques frecuentes pueden afectar la autonomía disponible.

#### TABLA DE AUTONOMÍA APROXIMADA:

MODO DE ASISTENCIA	BATERÍA INTERNA. 360 Wh			CON RANGE EXTENDER. 612 Wh (360+252 Wh)
	ECO	TRAIL	BOOST	ECO
TIEMPO APROX. DE AUTONOMÍA (horas)	4.5	3	2	8
DESNIVEL APROX.(metros)	2.500	1.700	1.200	4.000

## TRANSPORTE DE BATERÍAS DE BICICLETAS ELÉCTRICAS

El transporte de la batería interna Orbea RS y la batería externa Range Extender debe hacerse cumpliendo la normativa vigente y los medios de transporte permitidos para estos artículos. Las unidades deben ser siempre transportadas o enviadas usando el embalaje homologado original y un transportista homologado. Infórmate de las condiciones de manejo y transporte de este tipo de artículos en tu país.

Si el Range Extender o la batería interna deben ser enviados a Orbea o Shimano para su reparación o diagnóstico, debe hacerse en el embalaje original homologado y mediante un transportista habilitado para baterías. Desde Orbea te informaremos de la mejor opción.

## TRANSPORTE DE BICICLETAS ELÉCTRICAS

Si planeas viajar con tu bicicleta eléctrica, infórmate de las condiciones de transporte de baterías de la línea aérea que planeas usar para transportar tu bicicleta. La mayoría de aerolíneas comerciales no permiten el transporte de baterías con una capacidad mayor de 100Wh.

## 06 USO DE RISE

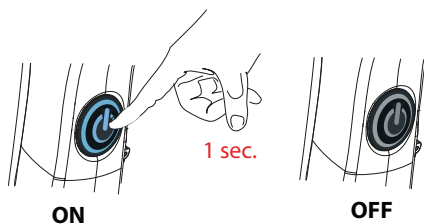
En esta sección se describe el funcionamiento básico del sistema Shimano STEPS EP8 en Rise y las particularidades exclusivas del sistema EP8 RS de Orbea.

Consulta también el manual de usuario del sistema Shimano EP8 aquí:

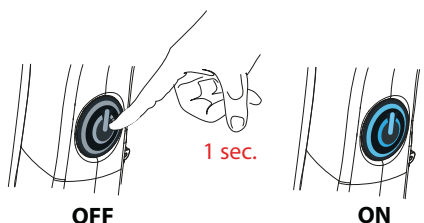
<https://si.shimano.com/api/publish/storage/pdf/es/um/7HCOA/UM-7HCOA-000-SPA.pdf>

### ENCENDIDO/APAGADO DE RISE

Para encender Rise, mantén pulsado durante 1 segundo el botón de la parte inferior del tubo de sillín.



Para apagar Rise, mantén pulsado durante 1 segundo el botón de la parte inferior del tubo de sillín.

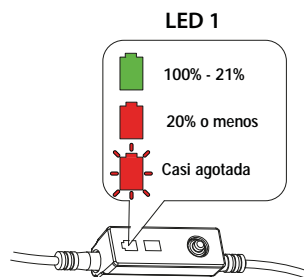


### VISUALIZACIÓN DEL NIVEL DE CARGA DE LA BATERÍA

El nivel de batería de Rise puede ser visualizado de varias maneras, dependiendo de la opción elegida.

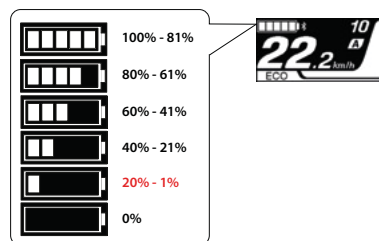
#### NIVEL CONJUNTO DE CARGA DE LA BATERÍA INTERNA Y EL RANGE EXTENDER:

Cuando un Range Extender se encuentre conectado a la bicicleta, el sistema calculará la capacidad total de ambas baterías (batería interna y Range Extender). El nivel de carga mostrado por los métodos descritos a continuación será el restante en ambas baterías de manera conjunta teniendo en cuenta la capacidad total del sistema.



· **CON CENTRALITA SHIMANO EW-EN100:** Con la bicicleta encendida, la centralita Shimano EW-EN100 mostrará mediante el LED1 el nivel de carga de la(s) batería(s). El LED1 lucirá en verde hasta que el nivel de carga sea inferior a 21%, tras lo cual el LED1 lucirá en rojo. Cuando la batería esté a punto de agotarse, el LED1 parpadeará en rojo.

No descargues la(s) batería(s) repetidamente por debajo del 10%. Niveles por debajo del 10% de manera continuada puede afectar la vida útil de las celdas.

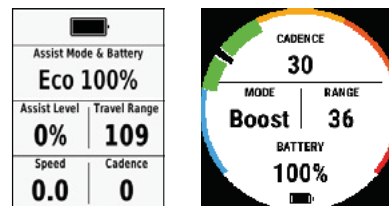


· **CON DISPLAY SHIMANO SC-EM800:** En montajes con el display SC-EM800, el nivel de carga de la(s) batería(s) se mostrará en la pantalla.

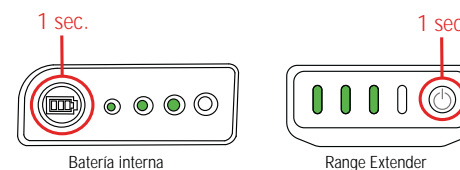
· **DISPOSITIVOS GARMIN COMPATIBLES. ORBEA RS TOOLBOX:** La aplicación Orbea RS Toolbox permite la visualización de datos relevantes de Rise en tu dispositivo Garmin compatible, entre ellos el nivel de carga de la(s) batería(s) como porcentaje.

**AVISO** Si durante el uso de la bicicleta el porcentaje de la batería restante no es visible en Orbea RS Toolbox, el dato volverá a ser visible cuando el nivel de batería restante disminuye un 1%. En ese momento, el sistema EP8 volverá a comunicar mediante ANT Private el nivel de batería a la unidad Garmin y el nivel de batería será visible en la unidad.

Consulta cómo descargar e instalar la aplicación Orbea RS Toolbox en tu dispositivo Garmin en la sección específica de este manual.



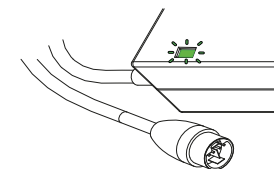
· **BATERÍAS ORBEA RS:** Pulsa durante 1 segundo el botón principal de las baterías Orbea RS (batería interna y Range Extender) para conocer el nivel de carga de las mismas. Los LED lucirán mostrando el nivel de carga actual en segmentos de 25%.



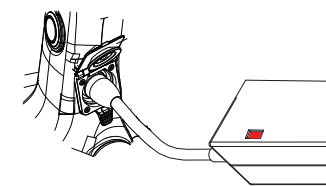
### CARGA DE LAS BATERÍAS

**AVISO** Carga completamente la batería interna o el Range Extender antes de utilizar la bicicleta por primera vez.

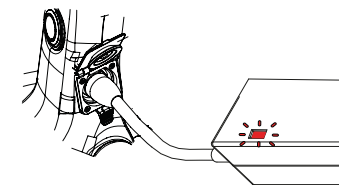
· **BATERÍA INTERNA ORBEA RS:** Para cargar la batería interna de Rise, conecta el cargador a un enchufe. Sin el cargador conectado a la bicicleta, el LED del cargador parpadeará en verde.



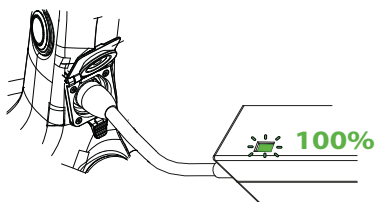
Abre la tapa del puerto de carga de Rise y conecta el cargador. El LED del cargador lucirá en rojo de manera permanente mientras la batería está cargando.



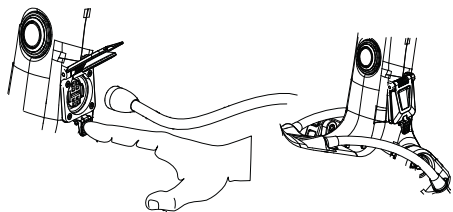
**AVISO** Si el LED del cargador parpadea en rojo al conectar el cargador a la bicicleta o el Range Extender, existe un problema con la carga. Desconecta el cargador inmediatamente y contacta con un distribuidor autorizado.



Cuando la batería esté completamente cargada, el LED del cargador volverá a parpadear en verde para dejarte saber que la carga ha finalizado.



Desconecta el cargador del puerto de carga de Rise presionando en la pestaña inferior del puerto de carga y tirando del cable del cargador. Asegúrate de que la tapa del puerto de carga queda correctamente cerrada.



Mientras el cargador esté conectado al puerto de carga, no se podrá encender la bicicleta. Si deseas conocer el porcentaje exacto de carga restante, desconecta el cargador del puerto de carga, enciende la bicicleta y conecta la bicicleta a la aplicación para Garmin Orbea RS Toolbox (consulta la sección de instalación y uso de Toolbox en este manual).

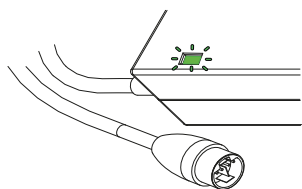
En montajes con display de Shimano, podrás ver el nivel de batería al desconectar el cargador y encender la bicicleta en la pantalla.

Evita niveles de carga inferiores al 10% de manera continuada.

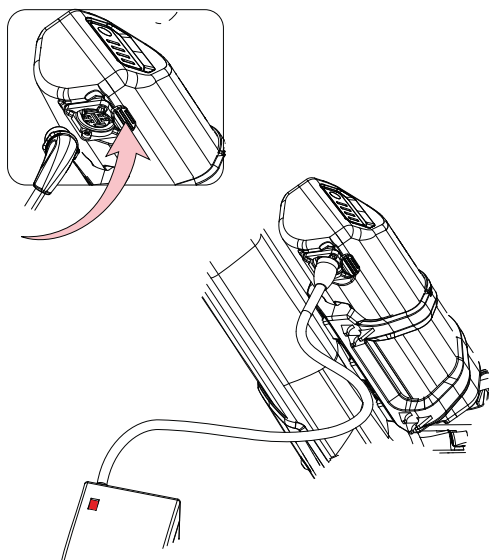
Evita dejar el cargador conectado a la batería durante más de 5 horas de manera continuada y siempre carga la batería bajo supervisión de manera que puedas desconectar el cargador si detectas alguna anomalía como humo, olor a quemado o fuego.

Las baterías de litio son sensibles a las temperaturas durante el proceso de carga. Respeta siempre los rangos de temperatura de carga, descarga y almacenamiento descritas en este manual.

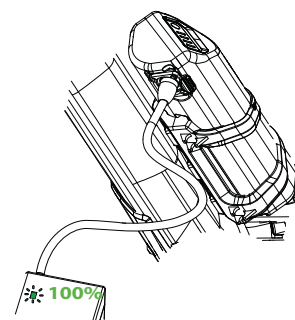
**BATERÍA EXTERNA RANGE EXTENDER:** Para cargar la batería externa Range Extender, conecta el cargador a un enchufe. Sin el cargador conectado a la batería, el LED del cargador parpadeará en verde.



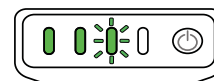
Desconecta el cable de conexión del Range Extender al puerto de carga de la bicicleta pulsando la pestaña del puerto de carga del Range Extender y conecta el cargador al Range Extender. El LED del cargador lucirá en rojo de manera permanente mientras la batería está cargando.



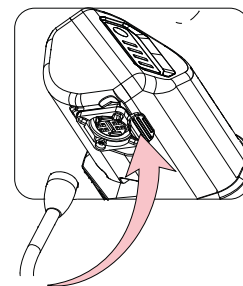
Cuando la batería esté completamente cargada, el LED del cargador volverá a parpadear en verde para dejarte saber que la carga ha finalizado.



Mientras el Range Extender está cargando, los LED de indicación de carga de la batería mostrarán el nivel actual de carga.



Cuando la batería esté completamente cargada, desconecta el cargador del puerto de carga presionando la pestaña inferior y tirando del cable del cargador.



Evita niveles de carga inferiores al 10% de manera continuada.

Evita dejar el cargador conectado a la batería durante más de 5 horas de manera continuada y siempre carga la batería bajo supervisión de manera que puedas desconectar el cargador si detectas alguna anomalía como humo, olor a quemado o fuego.

Las baterías de litio son sensibles a las temperaturas durante el proceso de carga. Respeta siempre los rangos de temperatura de carga, descarga y almacenamiento descritas en este manual.

**AVISO** Consulta la sección Información Relevante de las Baterías RS para acceder y más información útil de uso, cuidados y solución de problemas de la batería interna y el Range Extender.

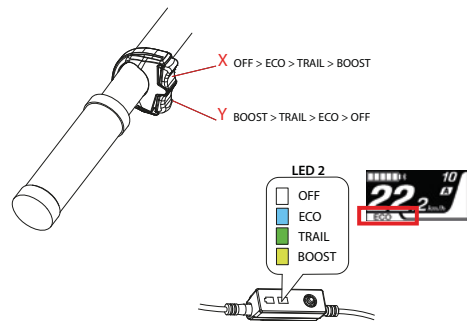
## CAMBIO DEL NIVEL DE ASISTENCIA

· **CON MANETA SHIMANO SW-EM800 / SW-E7000-L:** Para cambiar el modo de asistencia al pedalea con la maneta SW-EM800 (montajes con display SC-EM800) o la maneta SW-E7000-L (montajes con centralita EW-EN100), pulsa el botón X para subir el nivel de asistencia hasta el máximo disponibles (Boost). Pulsa el botón Y para bajar el nivel de asistencia hasta el nivel sin asistencia eléctrica.

Los niveles de asistencia disponibles de asistencia son:

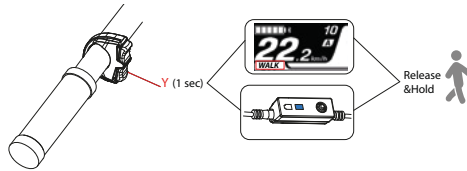
- OFF (sin asistencia eléctrica)
- ECO
- TRAIL
- BOOST

Al cambiar de nivel de asistencia, el LED2 de la centralita EW-EN100 cambiará de color para mostrar el nivel de asistencia actual. En montajes de display, el nombre del nivel actual aparecerá en la pantalla.



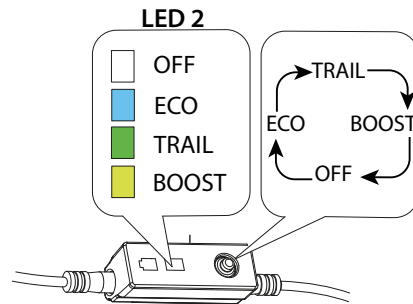
· **ASISTENCIA DE LA MARCHA A PIE:** Para activar el modo de asistencia a la marcha a pie en Rise, mantén pulsado durante 1 segundo el botón Y del mando de cambio de nivel de asistencia SW-EM800 o SW-E7000-L hasta que aparezca la palabra WALK en el display SC-EM800 o el LED 2 se ilumine en azul en la centralita EW-EN100.

Deja de pulsar el botón Y del mando remoto y vuelve a presionarlo para activar la asistencia a la marcha a pie. Rise mantendrá activada la asistencia a la marcha a pie mientras sigas presionando el botón Y del remoto.



· **CON CENTRALITA EW-EN100:** También es posible cambiar entre los niveles de asistencia pulsando el botón de la centralita Shimano EW-EN100. Pulsa el botón una vez para cambiar al siguiente nivel más potente. Tras alcanzar el nivel BOOST, pulsando otra vez el botón volverás al modo OFF (sin asistencia eléctrica).

No cambies el modo de asistencia mediante la centralita mientras estés usando la bicicleta, ya que puede conllevar riesgo de accidentes y lesiones graves. Los niveles de potencia de cada nivel de asistencia pueden ser modificados mediante la aplicación para móviles Shimano Etube para una experiencia más personalizada.



El motor Shimano EP8 RS dispone de dos perfiles de asistencia eléctrica, dentro de cada uno de los cuales, los niveles de asistencia eléctrica ECO, TRAIL y BOOST pueden ser personalizados de manera independiente a través de la aplicación para móviles Shimano Etube Project.

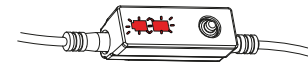
Consulta la sección sobre la aplicación Shimano Etube Project de este manual para conocer el método de modificación de los perfiles y niveles de asistencia.

Consulta el manual completo de Shimano para la aplicación Etube Project en el siguiente enlace:

[https://si.shimano.com/#/es/iUM/7J4MA/customization/toc\\_task\\_yvb\\_xnr\\_1mb](https://si.shimano.com/#/es/iUM/7J4MA/customization/toc_task_yvb_xnr_1mb)

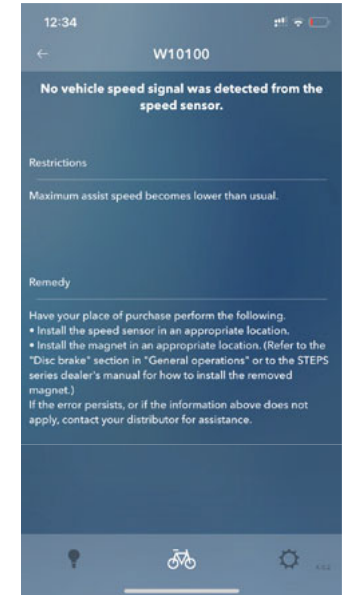
## ERRORES EN EL SISTEMA

Quando se detecta un error en el sistema, los LED de la centralita EW-EN100 parpadearán el rojo. En montajes con display SC-EM800, el código de error se mostrará en la pantalla.



Reinicia la bicicleta y conéctala a la aplicación Shimano Etube Project. En la sección Mantenimiento>Error Log podrías ver el error identificado y una solución para dicho error.

También puedes consultar el manual del sistema Shimano EP8 para conocer los códigos de error y sus soluciones.



## 07 ORBEA RS TOOLBOX

### VISUALIZACIÓN DE DATOS DEL SISTEMA EN DISPOSITIVOS GARMIN

#### INSTALACIÓN Y DESBLOQUEO DE ORBEA RS TOOLBOX EN DISPOSITIVOS GARMIN. GARMIN CONNECT APP

Orbea RS Toolbox es una aplicación para dispositivos Garmin exclusiva para propietarios de Rise que se añade a tu unidad compatible como un campo de datos, y te permite visualizar información relevante de tu Rise durante tu ruta.

#### AVISO

El siguiente método describe cómo instalar y desbloquear Orbea RS Toolbox en tu dispositivo Garmin utilizando la aplicación para smartphones Garmin Connect mediante conexión Bluetooth. Puedes seguir el mismo método en tu PC o Mac mediante la aplicación Garmin Express con tu dispositivo conectado por cable a tu ordenador.

#### AVISO

El desbloqueo de Orbea RS Toolbox requiere haber registrado la matrícula de tu nueva Rise en la web de Orbea, que además te permitirá disfrutar de las condiciones de la Garantía de por Vida. Dirígete a la web y registra tu matrícula, creando primero un perfil de usuario si aún no dispones de uno.

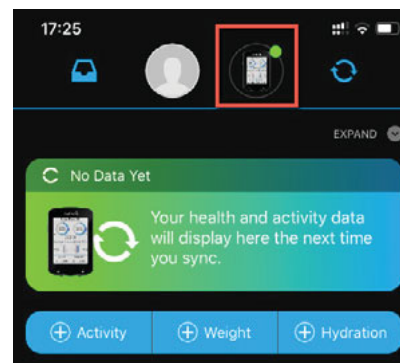
[www.orbea.com/es-es/access-register](http://www.orbea.com/es-es/access-register)

La matrícula de tu bicicleta es un código de 11 dígitos que encontrarás en el cuadro:

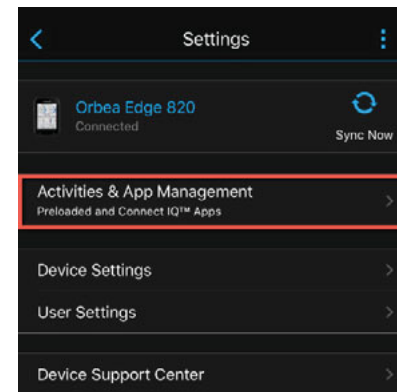


1. Tras haber registrado la matrícula de tu bicicleta en la web de Orbea, abre la aplicación Garmin Connect en tu smartphone y conecta tu dispositivo mediante Bluetooth.

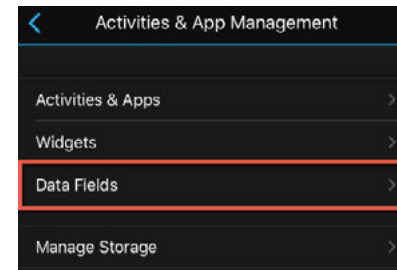
Debes haber descargado e instalado previamente Garmin Connect de Google Play o Apple Store.



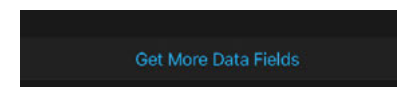
2. Selecciona “Actividades y gestión de Aplicaciones”.



3. Selecciona “Campos de datos”.



4. Pulsa en “Obtener más campos de datos”.

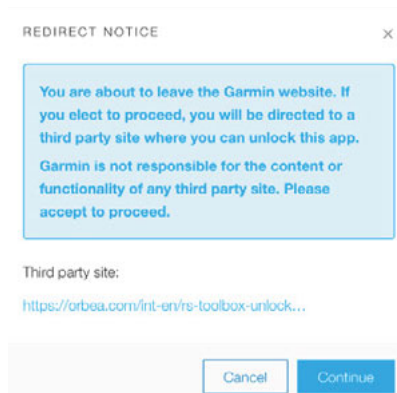


5. Busca en la tienda IQ Store “Orbea RS Toolbox”. Selecciona “Desbloquear” Orbea RS Toolbox.

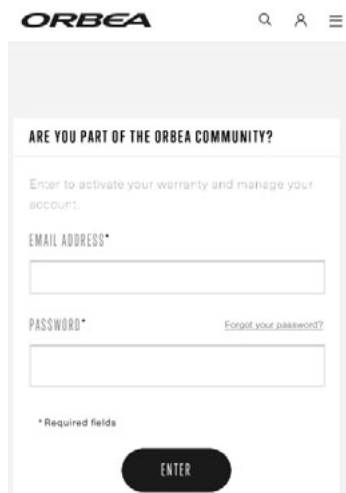


**AVISO** Si no puedes ver la aplicación Orbea RS Toolbox en la tienda Garmin IQ, tu dispositivo no es compatible con la aplicación. Trabajamos cada día para incluir más dispositivos compatibles, contacta con Orbea si necesitas más información.

6. Un mensaje te indicará que estás a punto de salir de la tienda IQ. Acepta para ser reconducido a la web de activación de Orbea.



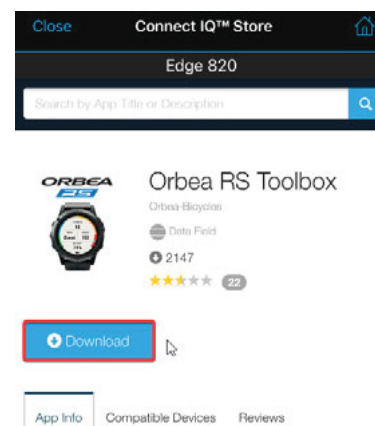
7. Introduce tus datos de acceso a tu cuenta de Orbea.



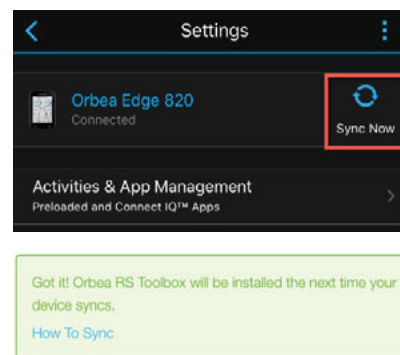
8. Si ya habías registrado la matrícula de tu Rise previamente, un mensaje te indicará que tu dispositivo Garmin se ha desbloqueado correctamente.

9. Vuelve a Garmin Connect en tu teléfono móvil. Verás que el botón de desbloqueo aún aparece en la pantalla de Orbea RS Toolbox. **Vuelve a buscar Orbea RS Toolbox en el buscador de Garmin Connect y selecciona la aplicación.** Ahora verás que el botón de desbloqueo ha desaparecido y sólo es visible el botón de descarga.

Descarga la aplicación. Un mensaje te indicará que la aplicación se instalará cuando sincronices tu dispositivo.

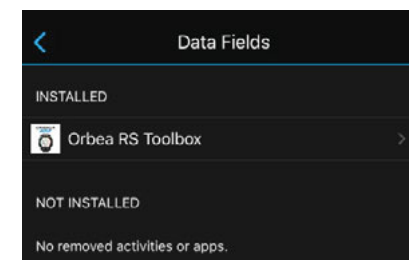


10. Vuelve a Garmin Connect en tu smartphone y sincroniza tu dispositivo con la aplicación.



11. Accede a “Campos de datos” en “Actividades y gestión de Aplicaciones”. Verás Orbea RS Toolbox instalada en tu dispositivo.

Si la aplicación es visible pero aparece como no instalada, sincroniza tu dispositivo.



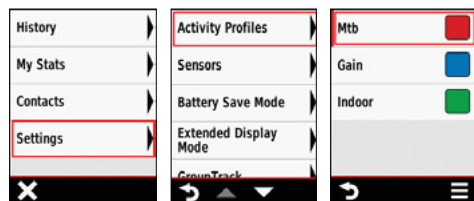


## VISUALIZACIÓN DE ORBEA TOOLBOX TU DISPOSITIVO

Tras haber descargado y desbloqueado la aplicación Orbea Toolbox mediante Garmin Express (PC o Mac) o Garmin Connect (smartphones) y haber sincronizado tu dispositivo, activa la visualización de los campos de datos en tu dispositivo compatible.

A continuación se muestra el proceso de visualización del campo de datos para dispositivos Garmin de pulsera y unidades Edge compatibles.

1. Enciende tu Rise y el dispositivo Garmin en el que quieras visualizar los datos de tu bicicleta, que se emparejarán automáticamente.
2. Accede a Perfiles en el menú Ajustes de tu dispositivo y elige el perfil de actividad desde donde quieres acceder a los datos de Rise.

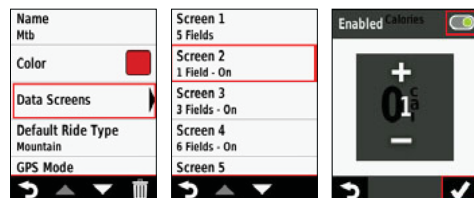


Dispositivos Garmin Edge



Dispositivos Garmin de pulsera

3. Selecciona "Pantallas de datos" y la página del perfil de actividad en el que quieres ver los datos de tu Rise. Activa la página de datos y elige la visualización de un campo de datos único.



Dispositivos Garmin Edge

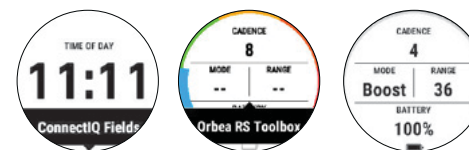


Dispositivos Garmin de pulsera

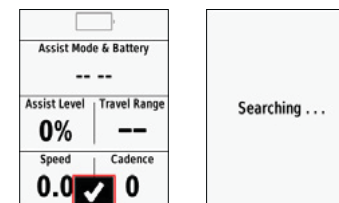
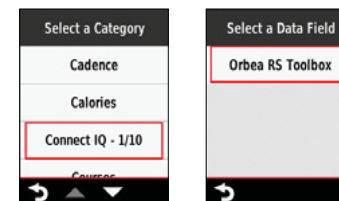
4. Elige la información que quieres visualizar en el campo de datos.

Selecciona Connect IQ y pulsa Orbea RS Toolbox.

Si no habías conectado la bicicleta antes de elegir la visualización del campo de datos, el dispositivo mostrará el mensaje "Buscando..." tras elegir el campo de datos Orbea RS Toolbox. Cuando enciendas la bicicleta y accedas a la página seleccionada en el perfil de actividad en tu dispositivo, los datos de Rise serán visibles.

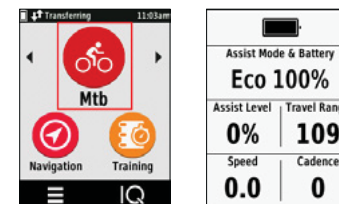


Dispositivos Garmin de pulsera

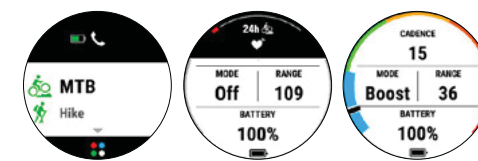


Dispositivos Garmin Edge

5. Con la bicicleta encendida, accede al perfil de actividad seleccionado para la visualización de datos de Rise o comienza una actividad en este perfil. Navega hasta la página de datos donde has seleccionado visualizar Orbea RS Toolbox para acceder a la información de tu bicicleta.



Dispositivos Garmin Edge



Dispositivos Garmin de pulsera

## USO DE ORBEA RS TOOLBOX

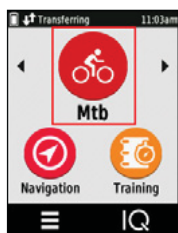
**AVISO** Orbea RS Toolbox no es compatible con el uso simultáneo de la aplicación Garmin Edge Shimano STEPS nativa en dispositivos Edge 530, 830, 1030 y 1030 Plus. Desconecta o elimina la bicicleta de la lista de sensores de tu dispositivo Garmin antes de intentar usar Orbea RS Toolbox antes de cada uso. Esta limitación no depende de Toolbox, sino que viene dada por Garmin.

### CONECTA TU RISE A ORBEA RS TOOLBOX

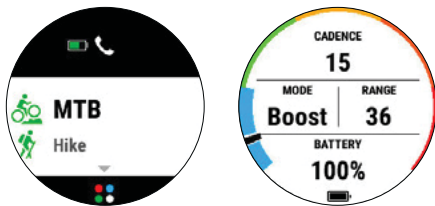
Siempre enciende tu dispositivo Garmin primero y comienza a grabar la actividad y luego enciende tu Rise para que el dato de batería restante aparezca desde el primer momento en Toolbox. De otro modo, el nivel de batería restante se mostrará una vez que se haya recorrido una cierta distancia y el nivel de batería haya disminuido un 1%.

Al inicial Toolbox, éste se conectará a la bicicleta con la señal más fuerte (normalmente la más cercana) y una vez conectado se enlazará de manera permanente con esa bicicleta. Si experimentas problemas de conexión, asegúrate de que tu Rise es la única bicicleta encendida para facilitar la conexión.

La conexión entre Rise y Orbea RS Toolbox se realiza mediante protocolo ANT Private de manera automática. Si los datos de Rise no se muestran en el campo de datos activo de tu dispositivo Garmin, prueba a pulsar los botones de cambio de nivel de asistencia. Si los datos de Toolbox aún no son visibles, apaga y vuelve a encender la bicicleta para reiniciar la conexión.



Assist Mode & Battery	
<b>Boost 100%</b>	
Assist Level	Travel Range
5%	36
Speed	Cadence
4.0	9

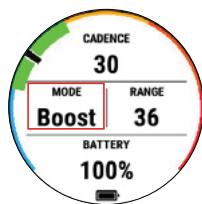


### DATOS VISIBLES DE RISE EN ORBEA RS TOOLBOX

**MODO DE ASISTENCIA:** Muestra el modo de asistencia actual del sistema entre los cuatro niveles disponibles: Off, Eco, Trail, Boost.

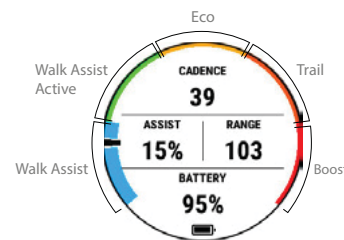
· **Opciones de visualización del modo de asistencia:** Orbea RS Toolbox permite la visualización del modo de asistencia seleccionado de dos maneras. Consulta la sección **Personalización de los Campos de Datos** para conocer el método de selección de la información de cada campo.

· Puedes elegir la visualización del modo de asistencia seleccionado a través de uno de los campos de datos de la pantalla, donde aparecerá el nombre del nivel de asistencia actual.



· También es posible la visualización de los modos de asistencia seleccionados mediante la línea circular externa de Toolbox. Al elegir un modo de asistencia, la porción correspondiente será resaltada. Los códigos de color son:

AZUL: Walk Assist seleccionado pero no activo.  
VERDE: Walk Assist en funcionamiento.  
AMARILLO: Eco.  
NARANJA: Trail.  
ROJO: Boost.



**BATERÍA:** Nivel de carga de la batería mostrado como porcentaje.

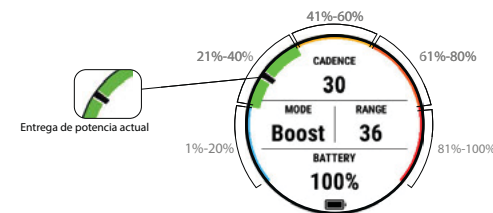
Si hubiera una batería externa Range Extender conectada, el sistema tendrá en cuenta la capacidad total conjunta de la batería interna y el Range Extender (612 Wh) y Toolbox mostrará el porcentaje de batería restante teniendo en cuenta la carga de ambas baterías.

**AVISO** Si durante el uso de la bicicleta el porcentaje de la batería restante no es visible en Orbea RS Toolbox, el dato volverá a ser visible cuando el nivel de batería restante disminuya un 1%. En ese momento, el sistema EP8 volverá a comunicar mediante ANT Private el nivel de batería a la unidad Garmin y el nivel de batería será visible en la unidad.

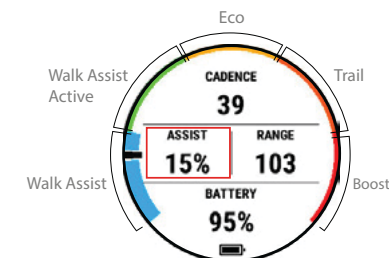
**NIVEL DE ASISTENCIA:** Nivel de entrega de asistencia eléctrica del motor dependiendo del modo de asistencia actual. Se muestra como porcentaje de la potencia total disponible del motor.

· **Opciones de visualización del nivel de asistencia en dispositivos de pulsera:** Orbea RS Toolbox permite la visualización del nivel de asistencia actual de dos maneras. Consulta la sección **Personalización de los Campos de Datos** para conocer el método de selección de la información de cada campo.

· Puedes seleccionar la visualización del nivel de asistencia del motor mediante la línea circular externa de Toolbox. En este caso se mostrará el nivel de asistencia mediante una línea negra y que recorrerá las zonas de potencia del motor (1%-100%). Por defecto, los diferentes modos de asistencia permitirán acceder a determinadas zonas de potencia del motor. Por ejemplo, sólo los modos de asistencia más potentes permitirán que el motor entregue cerca del 100% de la potencia.



· También es posible la visualización del nivel de asistencia mediante el campo de datos Assist, que mostrará la potencia actual como porcentaje del total disponible.



**AUTONOMÍA:** Rango de autonomía ( en km o millas) en el modo de asistencia y nivel de batería actual. Este dato cambiará dependiendo de la potencia entregada por el ciclista, teniendo en cuenta también el uso previo de la bicicleta.

**VELOCIDAD:** Velocidad actual de la bicicleta.

**CADENCIA:** Cadencia de pedaleo del ciclista.

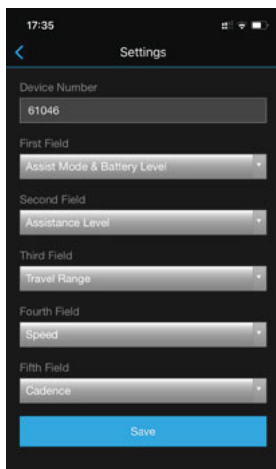
## PERSONALIZACIÓN DE LOS CAMPOS DE DATOS

El orden en que los datos del sistema son mostrados en la pantalla Toolbox del dispositivo compatible puede ser personalizado a través de Garmin Express o la aplicación para móviles Garmin Connect.

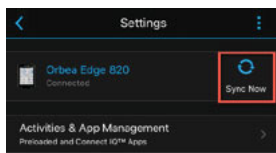
1. Abre Garmin Connect en tu smartphone y conecta tu dispositivo.
2. Accede a tu dispositivo a través de la aplicación y navega hasta el menú de Ajustes de Orbea RS Toolbox:

*Gestión de Aplicaciones > Campos de datos > Orbea RS Toolbox > Settings*

3. Selecciona qué dato deseas ver en cada campo de Orbea Toolbox mediante los menús desplegables y pulsa Guardar.



4. Vuelve a la pantalla principal de la aplicación y selecciona Sincronizar ahora.



Cuando vuelvas a conectar tu dispositivo a Rise, los datos se verán organizados según tu configuración guardada.

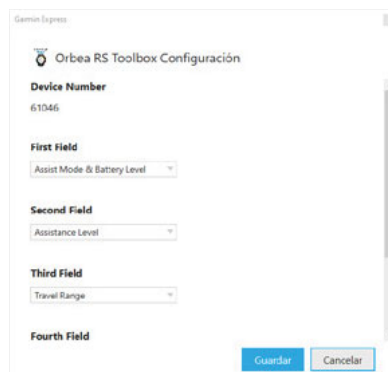
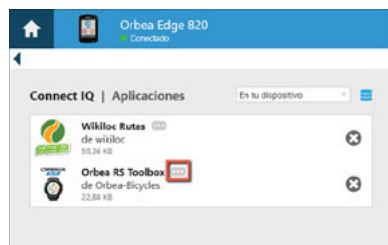
Si el dispositivo estaba conectado a Rise cuando has guardado los cambios, verás la nueva configuración de manera inmediata.

## GARMIN EXPRESS (PC Y MAC)

Los campos visibles también pueden ser personalizados usando la aplicación Garmin Express para PC o Mac.

Conecta tu dispositivo a tu ordenador mediante cable y accede a Aplicaciones Instaladas. Pulsa el botón de Ajustes de Orbea RS Toolbox y selecciona los datos que deseas visualizar en cada campo.

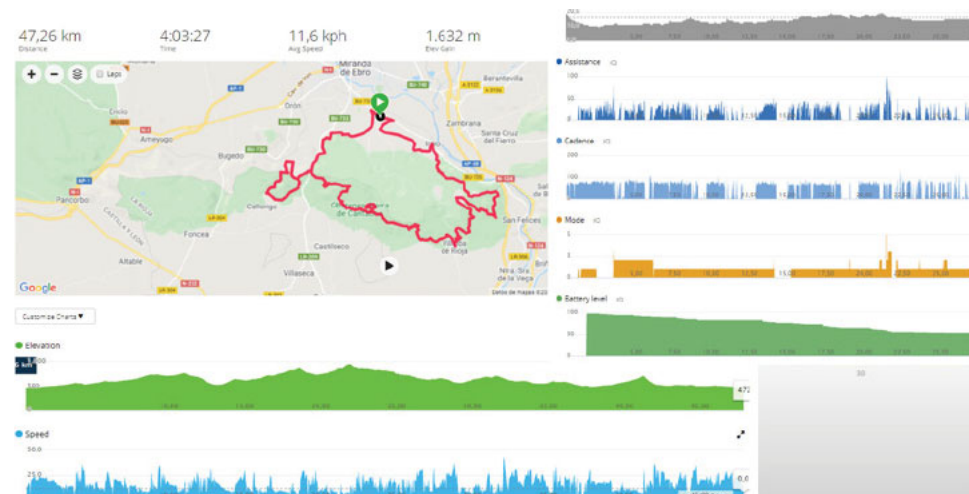
Guarda los cambios y sincroniza el dispositivo.



## REGISTRO DE DATOS DE RISE EN ACTIVIDAD DE GARMIN CONNECT

Al grabar una actividad con Rise utilizando Orbea RS Toolbox en tu dispositivo Garmin compatible, los datos de Toolbox quedan registrados junto con el resto de parámetros en la actividad. De esta manera, puedes acceder a los datos de nivel de asistencia, autonomía, carga de la batería, cadencia, etc. al grabar dicha actividad.

Consulta a través de Garmin Connect los datos de Orbea RS Toolbox durante la actividad de la misma manera que consultas los demás datos registrados por tu dispositivo Garmin.



## 08 SHIMANO ETUBE PROJECT

### PERSONALIZACIÓN DEL SISTEMA DE ASISTENCIA ELÉCTRICA

El sistema Shimano EP8, a través de la aplicación para smartphones Etube Project, permite la personalización de los niveles de asistencia para que ajustes Rise a tus necesidades. Cada nivel de asistencia puede ser modificado para entregar la potencia exacta a tu estilo de conducción.

El motor EP8 también permite la selección de dos perfiles de asistencia. Dentro de cada uno de los perfiles, cada nivel de asistencia puede ser modificado para alcanzar el modo de potencia que más se ajusta a tus necesidades.

El perfil de asistencia 1 está diseñado para actividades con un desnivel menos pronunciado, reduciendo la entrega de potencia del motor y alargando la autonomía. El perfil 2 está diseñado para actividades más exigentes con desniveles más pronunciados, aumentando la entrega de potencia de los niveles de asistencia. Puedes consultar el manual completo de la aplicación Etube Project para smartphones en la documentación de Shimano. La aplicación Etube Project pone a tu disposición también funciones como la personalización de los controles remotos, generación de informes de errores, actualización de firmware de los componentes, etc.

Consulta el manual completo de la aplicación aquí:

<https://si.shimano.com/#/en/iUM/7J4MA>

Descarga e instala Etube Project en tu smartphone desde Google Play o Apple Store.

1. **Abre Etube Project en tu smartphone.** Enciende tu Rise y abre la aplicación en tu teléfono.
2. **Selecciona Registrar Ebike.**
3. **Selecciona la unidad a emparejar.**
4. **Registra tu Rise en Etube Project.** Puedes elegir una contraseña para que sólo tú puedas realizar cambios en tu bicicleta. Si no deseas cambiar la clave, continúa al siguiente paso.
5. **Selecciona la pestaña Asistencia.**

6. **Modifica el par máximo de cada nivel de asistencia del Perfil 1 o 2.**

7. **Puedes elegir qué perfil de asistencia prefieres para tu actividad.** El perfil de asistencia 1 está predeterminado para perfiles de actividad con menor desnivel, mientras que el perfil de actividad 2 está predeterminado para niveles de asistencia en actividades con mayor desnivel.

\* Recuerda aplicar los cambios para cada modificación del sistema que has usado la aplicación Etube Project.

Mientras que los niveles de asistencia dentro de un perfil pueden ser seleccionados a través del mando remoto del manillar, el cambio de perfil de asistencia se debe realizar a través de la aplicación etube Project. Una vez realizada la selección del perfil de asistencia, los niveles de dicho perfil se podrán seleccionar mediante el mando remoto del manillar.

### VISUALIZACIÓN DE ERRORES EN EL SISTEMA

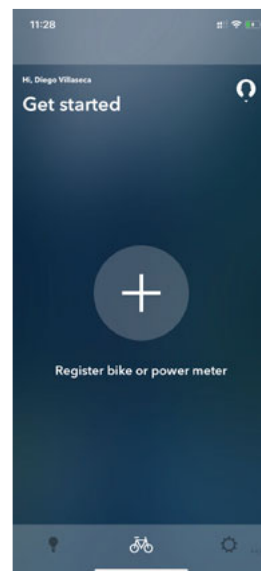
En caso de existir errores en el sistema de asistencia eléctrica, Etube Project permite visualizar los códigos de error y el método de comprobación y reparación para dicho error.

En montajes con la centralita EW-EN100 (sin display), será visible que hay un error en el sistema cuando ambos LED de la centralita parpadeen al mismo tiempo. Para conocer el código de error y el método de diagnóstico, conecta Rise con la aplicación Shimano Etube Project.

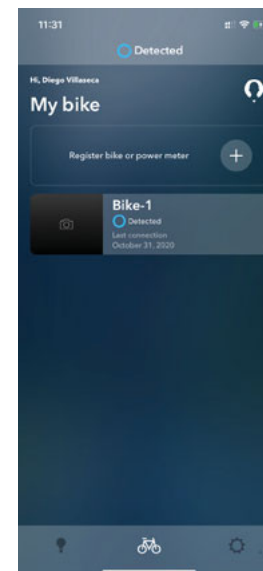
Si el error persiste tras aplicar el método propuesto por la aplicación o el manual del sistema STEPS, lleva tu bicicleta a un distribuidor autorizado para un diagnóstico completo.

En montajes con el display SC-EM800, si hay un error en el sistema, el código de dicho error aparecerá en la pantalla del display. Consulta el manual del sistema Shimano STEPS o conecta Rise a la aplicación Shimano Etube Project para conocer el método de diagnóstico.

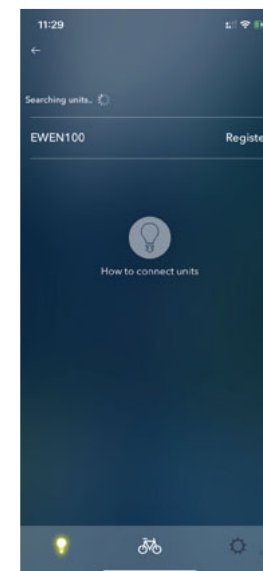
Si el error persiste tras aplicar el método propuesto por la aplicación o el manual del sistema STEPS, lleva tu bicicleta a un distribuidor autorizado para un diagnóstico completo.



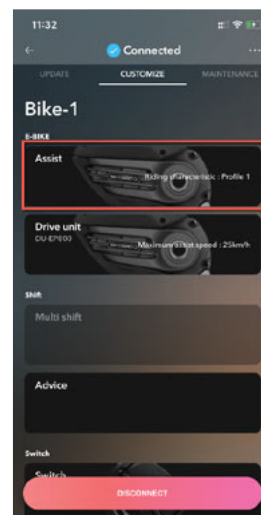
2



3



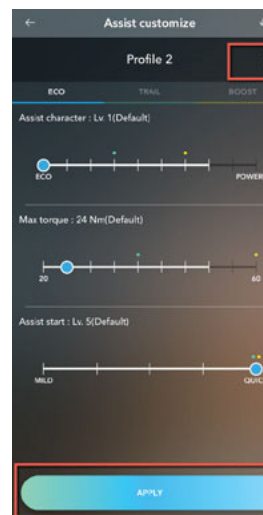
4



5



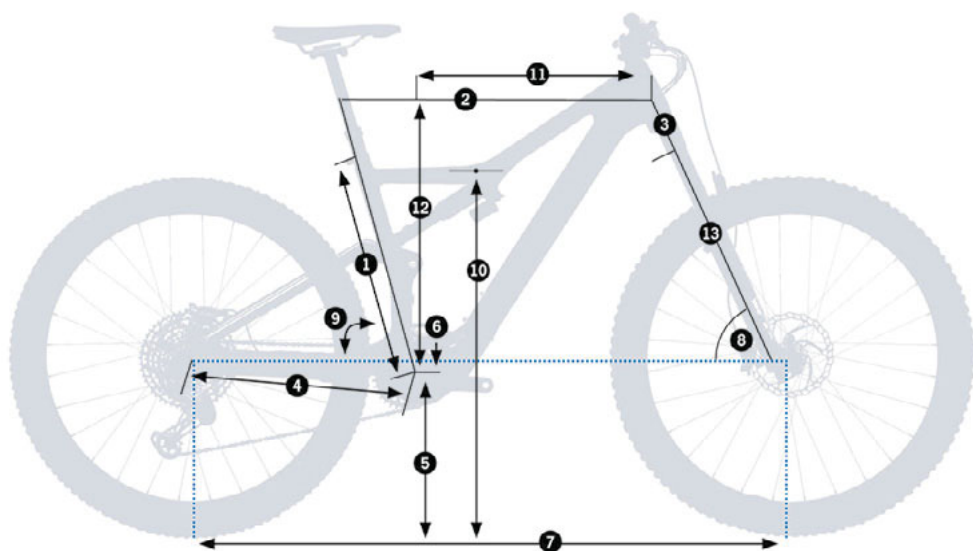
6



7

## 09 GEOMETRÍA Y ERGONOMÍA

### RISE



TALLA	S	M	L	XL
1 - Tubo de sillín (C-T)	381	419	457	508
2 - Tubo horizontal (EFF)	565	592	619	649
3 - Tubo frontal	95	105	120	140
4 - Vaina	445	445	445	445
5 - Altura eje pedalier	336	336	336	336
6 - Caída eje pedalier**	35/32	35/32	35/32	35/32
7 - Distancia entre ejes	1.180	1.205	1.229	1.255
8 - Ángulo frontal**	66°/65.5°	66°/65.5°	66°/65.5°	66°/65.5°
9 - Ángulo del sillín**	77°/76.5°	77°/76.5°	77°/76.5°	77°/76.5°
10 - Altura base	710	736	766	776
11 - Largo del cuadro	425	450	474	500
12 - Altura del cuadro	604	613	627	646
13 - Longitud horquilla	547	547	547	547

ALTURA (CM)	ALTURA (IN)	TALLA*
150-165	59.1"-65.0"	S
160-175	63.0"-68.9"	M
170-185	66.9"-72.8"	L
180-198	70.9"-78.0"	XL

\* Las medidas de la tabla de ergonomía y tallas son orientativas. El método más efectivo para saber qué talla se ajusta mejor a tí es probar la bicicleta en uno de nuestros distribuidores.

\*\*Con horquilla 140/150mm.

## ALTURAS MÁXIMAS Y MÍNIMAS DE SILLÍN CON TIJA TELESCÓPICA

En la siguiente tabla se detallan las alturas máximas y mínimas de sillín con la tija telescópica en posición extendida por cada talla de cuadro.

La altura máxima de sillín se refiere a la altura de sillín con la tija instalada en su inserción mínima, definida por la tija.

La altura mínima se refiere a la altura de sillín con la tija instalada en su inserción máxima, definida por el cuadro.

Sólo se detallan las alturas máximas y mínimas para las opciones de tija telescópica y sillines montados por Orbea para un cuadro en concreto. Para conocer estas cotas al utilizar una tija telescópica diferente, consulta las especificaciones con el fabricante de la tija y consulta las medidas de inserción máxima del cuadro en la sección de especificaciones técnicas de este manual.

### AVISO

Las cotas de la siguiente tabla definen la distancia entre el centro de la caja de pedalier hasta la mitad de la parte superior del sillín (modelos de sillín montados por Orbea).

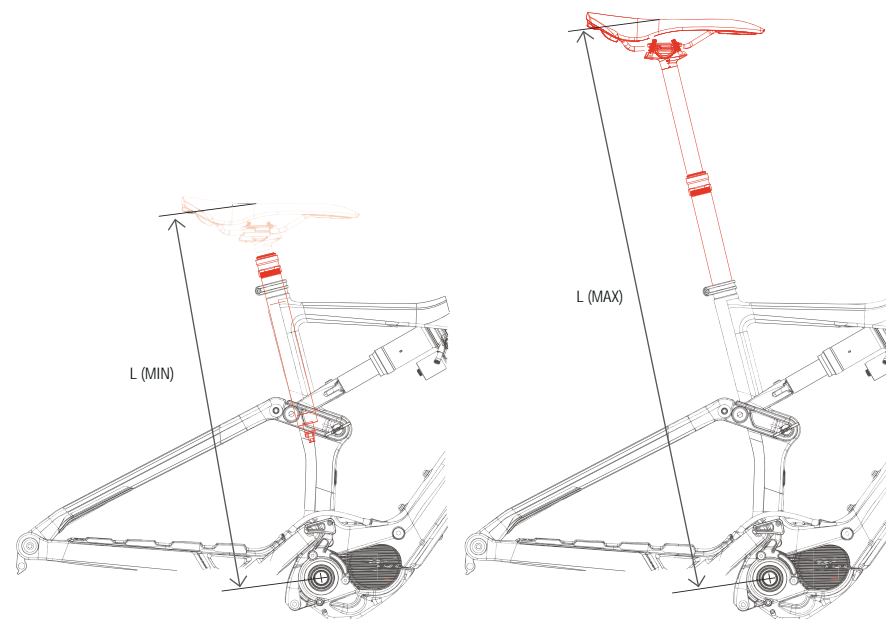
Diferentes sillines en el mercado pueden variar las cotas dadas +/-5mm dependiendo de la altura del modelo de sillín. Si tu altura de sillín difiere de una cota dada por menos de 5mm, es posible ajustar esta altura instalando un modelo de sillín diferente disponible en el mercado.

Si tu altura de sillín difiere de las cotas dadas por más de 5mm, debes elegir una tija telescópica de mayor o menor recorrido.

### CUADRO/TALLA

MODELO TIJA TELESCÓPICA	ALTURA SILLÍN EXTENDIDO	RISE (S)	RISE (M)	RISE (L)	RISE (XL)
OC2 31.6 125mm	Minima	627mm*	650mm*	691mm*	738mm*
	Máxima	741mm*	778mm*	818mm*	866mm*
OC2 31.6 150mm	Minima	675mm*	675mm*	713mm*	763mm*
	Máxima	790mm*	827mm*	866mm*	918mm*
OC2 31.6 170mm	Minima	716mm*	717mm*	734mm*	785mm*
	Máxima	831mm*	866mm*	908mm*	957mm*
FOX TRANSFER 31.6 125mm	Minima	598mm*	630mm*	670mm*	718mm*
	Máxima	692mm*	730mm*	769mm*	820mm*
FOX TRANSFER 31.6 150mm	Minima	652mm*	654mm*	695mm*	744mm*
	Máxima	746mm*	782mm*	824mm*	874mm*
FOX TRANSFER 31.6 175mm	Minima	709mm*	708mm*	720mm*	768mm*
	Máxima	804mm*	840mm*	881mm*	930mm*

\* Las medidas pueden variar +/-5mm dependiendo de la altura del modelo de sillín.



# 10 ESPECIFICACIONES TÉCNICAS

## RISE

<b>MATERIAL DEL CUADRO</b>	
Triángulo delantero	ORBEA OMR CARBON
Basculante (vainas y tirantes)	ORBEA OMR CARBON
Bieleta	ALUMINIO
Uso recomendado	TRAIL, ALL-MOUNTAIN
Tallas	S, M, L, XL
Diseño de suspensión	CONCENTRIC BOOST 2 PIVOT
Recorrido de la horquilla	140mm (opción 150mm)
Longitud máxima de la horquilla (axle-to-crown)	561mm
Offset de la horquilla	44mm
Recorrido trasera	140mm
<b>MEDIDAS AMORTIGUADOR</b>	
Hardware del amortiguador	METRIC. 210x55
Cuadro	8x21.84mm
Extensor amortiguador	8x15.75mm
SAG recomendado	25%-30%
Dirección	Integrada. 1 1/8" - 1 1/2"
Separadores de dirección (máximo)	30mm
Eje pedalier	EJE MOTOR SHIMANO EP8
Línea de cadena	BOOST. 53mm
Tamaño de rueda	29"
Tamaño máximo cubierta trasera	2.5
Tamaño máximo cubierta delantera	Depende de horquilla
Montaje imán velocidad Shimano	En disco de freno trasero
Estándar eje trasero	BOOST 12x148
Medidas eje trasero	12x187mm
Paso de rosca eje trasero	1.5mm
Longitud rosca eje trasero	15mm
Diámetro tija	31.6mm
Diámetro abrazadera de la tija	35mm

<b>INSERCIÓN MÁXIMA DE LA TIJA</b>	
S	222mm
M	255mm
L	300mm
XL	350mm
Compatible tija telescópica cableado interno	SÍ
Desviador delantero	NO
Platos compatibles	Shimano STEPS spline. 12V. Línea cadena 53mm
Tamaño máx. plato	34T
Tamaño mínimo plato	30T
Compatible plato oval	NO
Tipo de frenos	DISCO*
Estándar pinza de freno trasero	POST MOUNT
Tamaño máximo disco trasero	203mm
Tamaño mínimo disco trasero	180mm
Compatible guía cadena	SÍ. Guía cadenas Shimano E7000-E8000-EP8
ICGS	NO
Cableado	Cambio y freno: Interno en tubo diagonal y vainas. Funda completa Sistema ebike: Interno en tubo diagonal y vaina
Compatible cableado freno trasero izquierda	SÍ. Freno trasero entra al cuadro por lado izquierdo
Portabidón	1. En todas las tallas. Montaje de soporte range extender o portabidón estándar
Compatibilidad transmisiones	11V y 12V. MTB
Compatible Shimano DI2	SÍ. Cambio trasero
Compatible SRAM AXS	SÍ
Compatibilidad potenciómetro	NO
Compatible con trailer	NO
Montaje de portabultos	NO
Montaje de guardabarros	NO
Montaje asiento de niño	NO

\* No todos los modelos de pinza y disco en el mercado son compatibles con todos los cuadros.

Todos los montajes especificados por Orbea están comprobados. Para montajes aftermarket, comprueba dimensiones y tolerancias antes de la compra.

# ESPECIFICACIONES TÉCNICAS

## SHIMANO EP8 RS

Consulta el manual del sistema Shimano EP8 RS en la documentación del fabricante. Recuerda que las baterías RS son exclusivas de Orbea.

<https://si.shimano.com/api/publish/storage/pdf/en/dm/EP800/DM-EP800-01-ENG.pdf>

### MOTOR SHIMANO EP8 RS

Potencia nominal	250W
Voltaje	36V
Tipo	BRUSHLESS DC
Par máximo	60Nm
Velocidad máxima	25 Kph (EU) 20 Mph / 32 Kph (US)
Peso	2.6 Kg
Perfiles de asistencia	2 (Seleccionables a través de Etube Project app)
Modos de asistencia (por perfil)	3 (ECO, TRAIL, BOOST) Modificables a través de Etube Project app
Walk Assist	SÍ
Estándar cableado STEPS/DI2	EW-SD300

### CENTRALITA EW-EN100

Funciones	Visualización de nivel de carga
	Visualización y cambio de modo de asistencia
	Visualización de errores
Conectividad	Bluetooth (Shimano Etube Project app)
	ANT Private
Montaje	En cable de cambio DI2
Estándar cableado STEPS/DI2	EW-SD50

### DISPLAY SC-EM800 (OPCIÓN)

Funciones	Visualización de nivel de carga
	Visualización de modo de asistencia
	Visualización de errores
Conectividad	Bluetooth (Shimano Etube Project app)
	ANT Private
Montaje	En manillar
Estándar cableado STEPS/DI2	EW-SD300

### MANETAS DE CAMBIO DE ASISTENCIA SW-EM7000-L / SW-EM800 (OPCIÓN)

Funciones	Cambio de modo de asistencia
	Activación Walk Assist
Montaje	Manillar (diámetro abrazadera 22.2mm)
Estándar cableado STEPS/DI2	EM7000-L > EW-SD50 EM800 > EW-SD300

### SENSOR DE VELOCIDAD EW-SS301

Montaje	En base izquierda. Cableado interno
Imán	En disco de freno



## BATERÍA INTERNA ORBEA RS

Voltage	36V
Capacidad	360 Wh
Peso	2.2 Kg
Celdas	ION-LITIO. 21700
Tiempo de carga (2A)	5 HORAS
Montaje	INTERNO. EN TUBO DIAGONAL
Conexión	CABLE HARNESS A MOTOR, PUERTO DE CARGA Y BOTÓN DE ENCENDIDO

## BATERÍA EXTERNA RANGE EXTENDER RS

Voltage	36V
Capacidad	252 Wh
Peso	1.4 Kg
Celdas	ION-LITIO. 18650
Tiempo de carga (2A)	3.5 HORAS
Montaje	PORTABIDÓN ESPECÍFICO EN TUBO DIAGONAL
Conexión	CABLE RANGE EXTENDER A PUERTO DE CARGA DE RISE

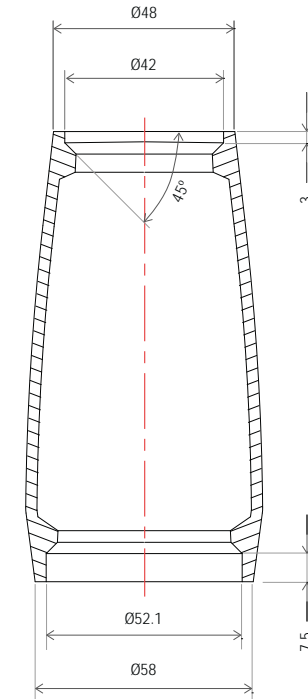
## CARGADOR DE BATERÍA RS 2A

Entrada	100V - 240V
Salida	42V
Corriente de carga	2A

# 11 MONTAJE Y REPUESTOS

## DIRECCIÓN

## DIMENSIONES DE LA PIPA DE DIRECCIÓN



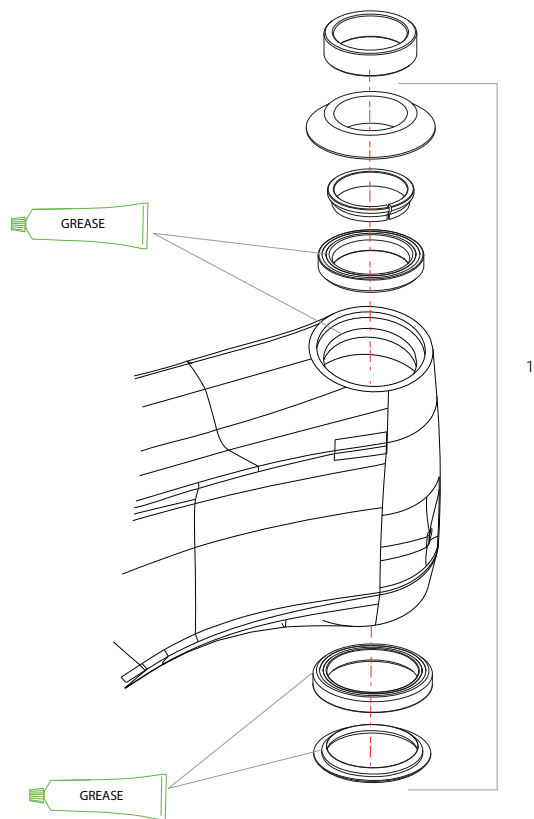
## ESPECIFICACIONES DE LA DIRECCIÓN

	TIPO	ID*	OD**	Ángulo de la pista de rodamiento	Ángulo de contacto con anillo de compresión/ pista de la horquilla	SHIS CODE
<b>SUPERIOR</b>	1-1/8" Integrada	42mm	48mm	$45^\circ$	$45^\circ$	IS42/28.6
<b>INFERIOR</b>	1-1/2" Integrada	52.1mm	58mm	$45^\circ$	$45^\circ$	IS52/40







\* ID: Diámetro interno de la pipa de dirección.

\*\* OD: Diámetro externo de la pipa de dirección.

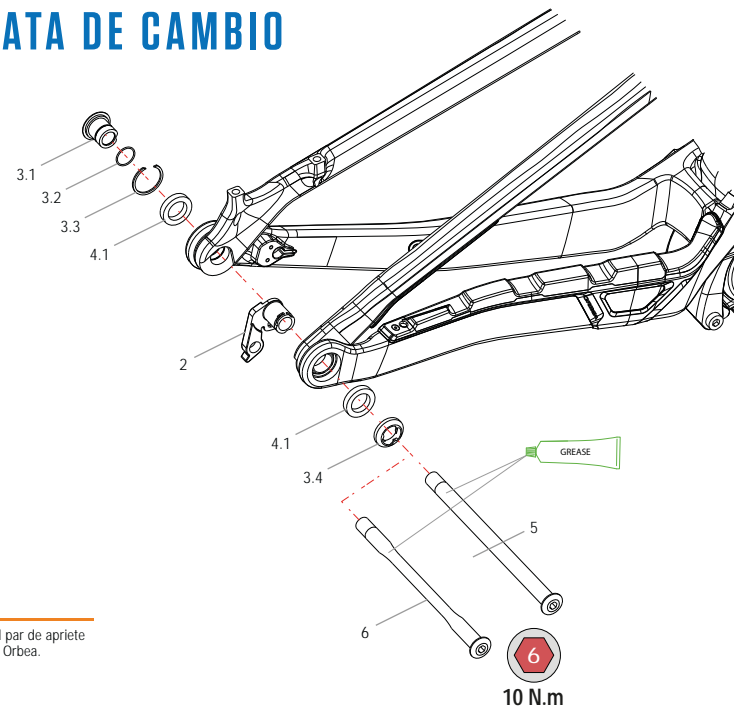
## DESPIECE Y MONTAJE DE LA DIRECCIÓN



### 01 DIRECCIÓN INTEGRADA MTB 1 1/8"-1 1/2"


ART N°: X0230000		CANT.
	1.1 TAPA DE LA POTENCIA	1
	1.2 TORNILLO DE PRECARGA DIRECCIÓN	1
	1.3 ARAÑA 1 1/8"	1
	1.4 TAPA DE LA DIRECCIÓN	1
	1.5 ANILLO DE COMPRESIÓN	1
	1.6 RODAMIENTO SUPERIOR	1
	1.7 RODAMIENTO INFERIOR	1
	1.8 PISTA DE RODAMIENTO HORQUILLA	1

## EJES Y PATA DE CAMBIO



**⚠** Realiza siempre el par de apriete recomendado por Orbea.


### 02 PATA CAMBIO ESTÁNDAR X12 FS 21

ART N°: X1600000		CANT.
	PATA CAMBIO ESTÁNDAR X12 FS 21	1

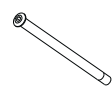
### 03 KIT PIECERÍO EJE TRASERO FS20 (No incluye pata)

ART N°: X2030000		CANT.
	3.1 TUERCA EJE IZO	1
	3.2 JUNTA TÓRICA IZO 13x1	1
	3.3 CIRCLIP IZO SB26mm	1
	3.4 ANILLO AMARRE PATA DRCHA	1

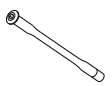
### 04 KIT RODAMIENTOS EJE TRASERO FS20

ART N°: X2040000		CANT.
	4.1 RODAMIENTO 6803	2

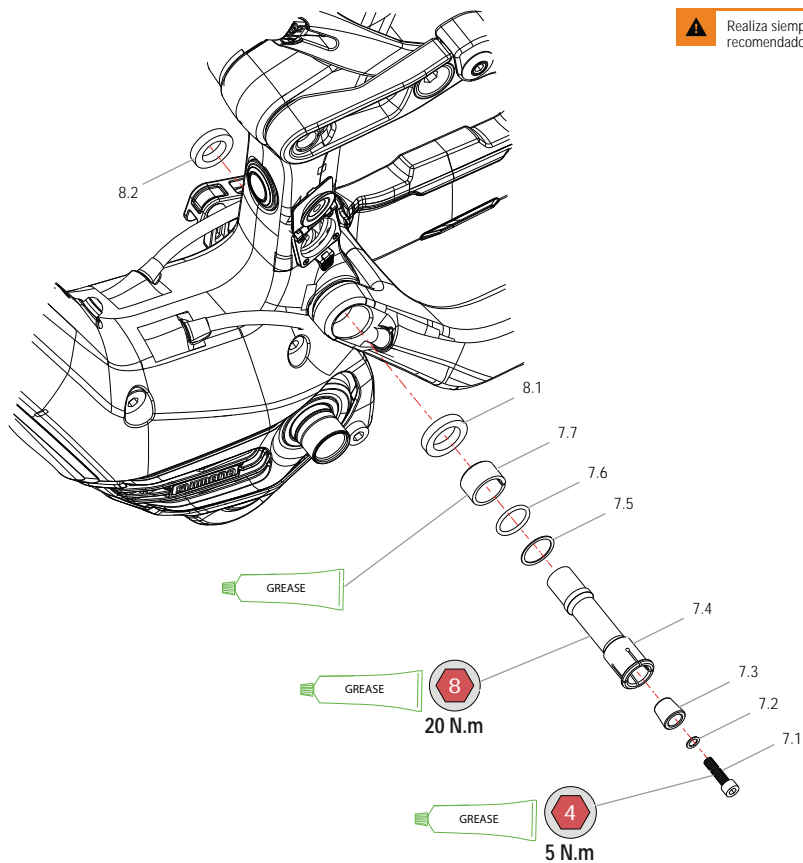
### 05 EJE PASANTE BOOST 12x148 HUECO (12x187x1.5x15)

ART N°: X2050000		CANT.
	EJE PASANTE BOOST 12x148 HUECO (12x187x1.5x15)	1

### 06 EJE PASANTE BOOST 12x148 LITE (12x187x1.5x15)

ART N°: X2060000		CANT.
	EJE PASANTE BOOST 12x148 LITE (12x187x1.5x15)	1

# PUNTO DE GIRO PRINCIPAL DEL BASCULANTE



**⚠** Realiza siempre el par de apriete recomendado por Orbea.

## 07 KIT PIECERÍO PTO. GIRO PPAL RISE-OCCAM M

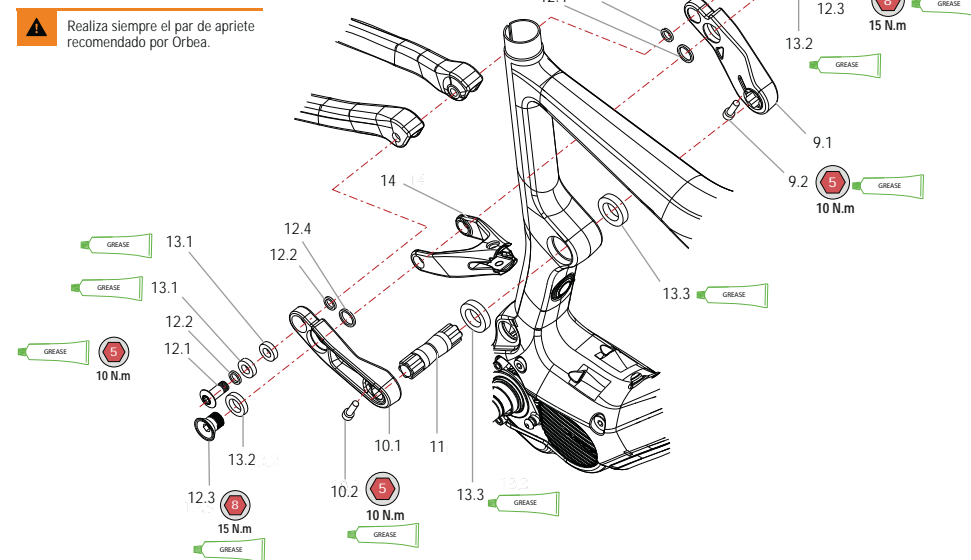
ART N°: X2140000		CANT.
7.1	TORNILLO EXPANDER M5x20	1
7.2	ARANDELA EXPANDER 5x8x0.5	1
7.3	CONO EXPANDER EJE PPAL	1
7.4	EJE PTO GIRO PPAL	1
7.5	ARANDELA EJE 17x20.5x0.5	1
7.6	JUNTA TÓRICA 16x2	1
7.7	CASQUILLO PTO GIRO PPAL	1

## 08 KIT RODAMIENTOS PTO GIRO PPAL RISE-OCCAM M

ART N°: X2150000		CANT.
8.1	RODAMIENTO 6803	1
8.2	RODAMIENTO 6802	1

# BIELETA

## DESPIECE DE LA BIELETA



**⚠** Realiza siempre el par de apriete recomendado por Orbea.

## 09 KIT BIELETA IZQ RISE

(No incluye rodamientos)

ART N°: X2070000		CANT.
9.1	BIELETA IZQUIERDA RISE	1
9.2	TORNILLO M6x20	1

## 10 KIT BIELETA DRCHA RISE

(No incluye rodamientos)

ART N°: X2080000		CANT.
10.1	BIELETA DERECHA RISE	1
10.2	TORNILLO M6x20	1

## 11 EJE BIELETA RISE

ART N°: X2090000		CANT.
	EJE BIELETA RISE	1

## 12 KIT PIECERÍO BIELETA RISE

(Ambos lados)

ART N°: X2100000		CANT.
12.1	TORNILLO BIELETA-TIRANTE	2
12.2	ARANDELA BIELETA-TIRANTE	4
12.3	TORNILLO BIELETA-PROLONG. AMORT.	2
12.4	ARANDELA BIELETA-PROLONG. AMORT.	2

## 13 KIT RODAMIENTOS BIELETA OCCAM-RISE

ART N°: X2110000		CANT.
13.1	RODAM. BIELETA-TIRANTE 6800	4
13.2	RODAM. BIELETA/PROLONG. AMORT. 6802	2
13.3	RODAM. BIELETA-CUADRO 6804	2

## 14 PROLONGADOR AMORTIGUADOR RISE

ART N°: X2120000		CANT.
	PROLONGADOR AMORTIGUADOR RISE	1

## MONTAJE DE LA BIELETA

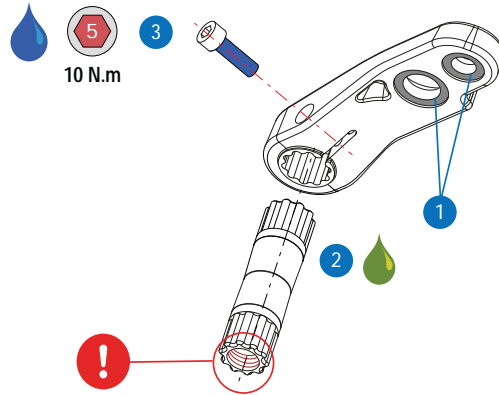
1. Si fuese necesario antes de instalar la bieleta, reemplaza o instala los rodamientos de la bieleta izquierda y derecha.

2. Instala la bieleta izquierda en el extremo del eje que no posee rosca en su interior, aplicando una pequeña cantidad de retenedor de piezas cilíndricas.

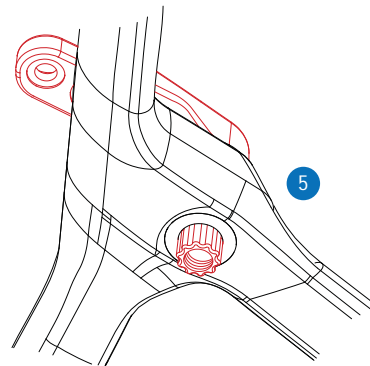
**El extremo del eje con rosca interna debe quedar en el lado derecho de Rise.**

3. Instala el tornillo de fijación de la bieleta izquierda aplicando una pequeña cantidad de fijatornillos de fuerza media y aplica el par de apriete recomendado.

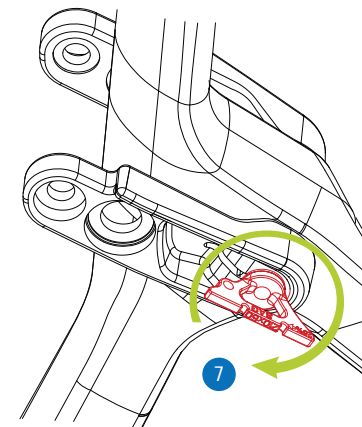
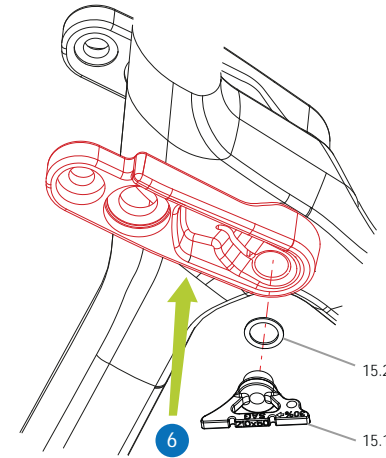
4. Aplica una pequeña cantidad de retenedor de piezas cilíndricas al eje.



5. Con los rodamientos del cuadro ya instalados, introduce el conjunto de la bieleta izquierda y el eje en el cuadro. Asegúrate de que la bieleta queda completamente instalada contra el cuadro y de que el eje no es visible entre la bieleta y el cuadro.



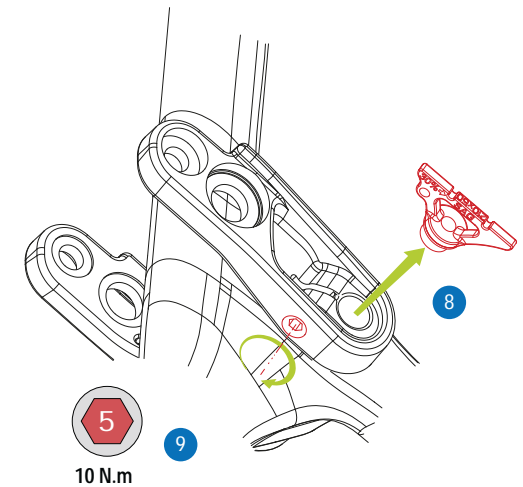
6/7. Instala la bieleta derecha. Rosca la herramienta de precarga en el interior del eje y gira la herramienta hasta que la bieleta derecha queda correctamente instalada contra el cuadro y el eje no es visible entre el cuadro y la bieleta.



8. Retira la herramienta y la arandela de precarga.

9. Aplica una pequeña cantidad de fijatornillos de fuerza media en el tornillo de la bieleta. Instala el tornillo siguiendo la indicación de par de apriete recomendado.

10. Comprueba que no hay juego lateral en la bieleta.



### 15 HERRAMIENTA PRECARGA BIELETA OCCAM-RISE

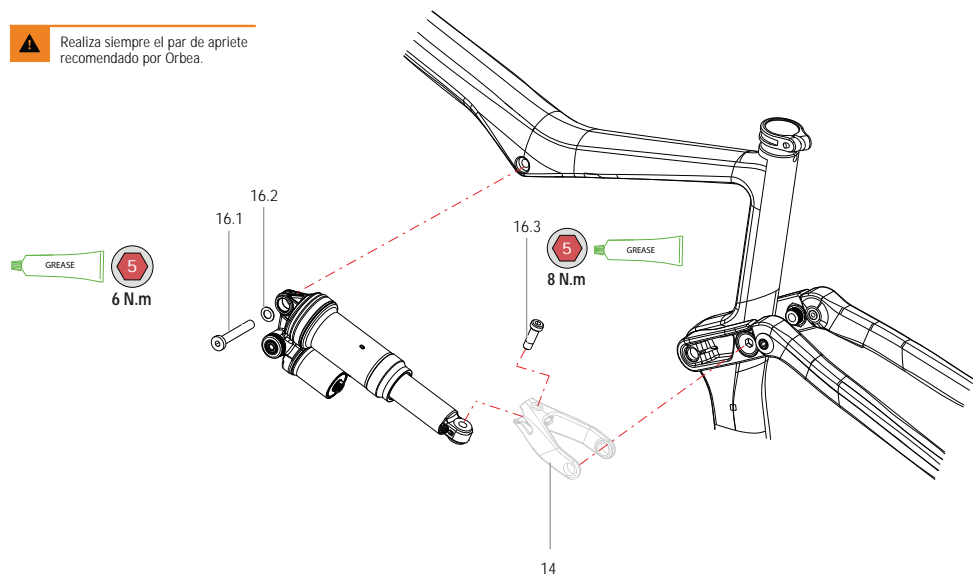
ART N°: X9020000

	CANT.
15.1 HERRAMIENTA PRECARGA BIELETA-SAG	1
15.2 ARANDELA PRECARGA	1



# MONTAJE DEL AMORTIGUADOR

⚠ Realiza siempre el par de apriete recomendado por Orbea.



## 14 PROLONGADOR AMORTIGUADOR RISE

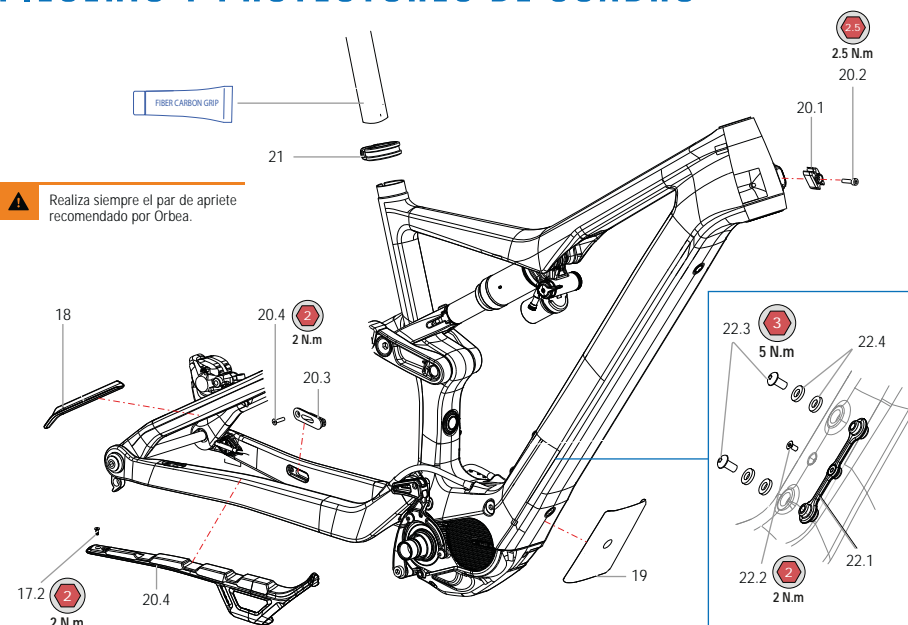
ART N°: X2120000	CANT.
PROLONGADOR AMORTIGUADOR RISE	1

## 16 KIT AMARRE AMORTIGUADOR RISE

ART N°: X2130000	CANT.
16.1 TORNILLO AMORTIG-CUADRO	1
16.2 ARANDELA AMORT-CUADRO	1
16.3 TORNILLO AMORT-PROLONGADOR	1

# PIECERÍO Y PROTECTORES DE CUADRO

⚠ Realiza siempre el par de apriete recomendado por Orbea.



## 17 PROTECTOR GOMA BASE DRCHA RISE

ART N°: X2160000	CANT.
17.1 PROTECTOR GOMA BASE RISE	1
17.2 TORNILLO M3x12 AVELLANADO	1

## 18 PROTECTOR ADHESIVO GOMA TIRANTE

ART N°: X2170000	CANT.
PROTECTOR ADHESIVO GOMA TIRANTE	1

## 19 PROTECTOR ADHESV. TRANSPARENTE TUBO DIAGONAL

ART N°: X2160000	CANT.
PROTECTOR ADHESV. TRANSPARENTE TUBO DIAGONAL	1

## 20 KIT GUÍA CABLES CAMBIO-FRENO RISE

ART N°: X2190000	CANT.
20.1 GUÍA CABLES PIPA DIRECCIÓN	1
20.2 TORNILLO M3x15	1
20.3 GUÍA CABLES FRENO BASE	1
20.4 TORNILLO M3x12 AVELLANADO	1
20.5 BRIDA 2.5x100	1

## 21 ABRAZADERA SILLÍN 34.9mm NEGRA

ART N°: X2020000	CANT.
ABRAZADERA SILLÍN 34.9mm NEGRA	1

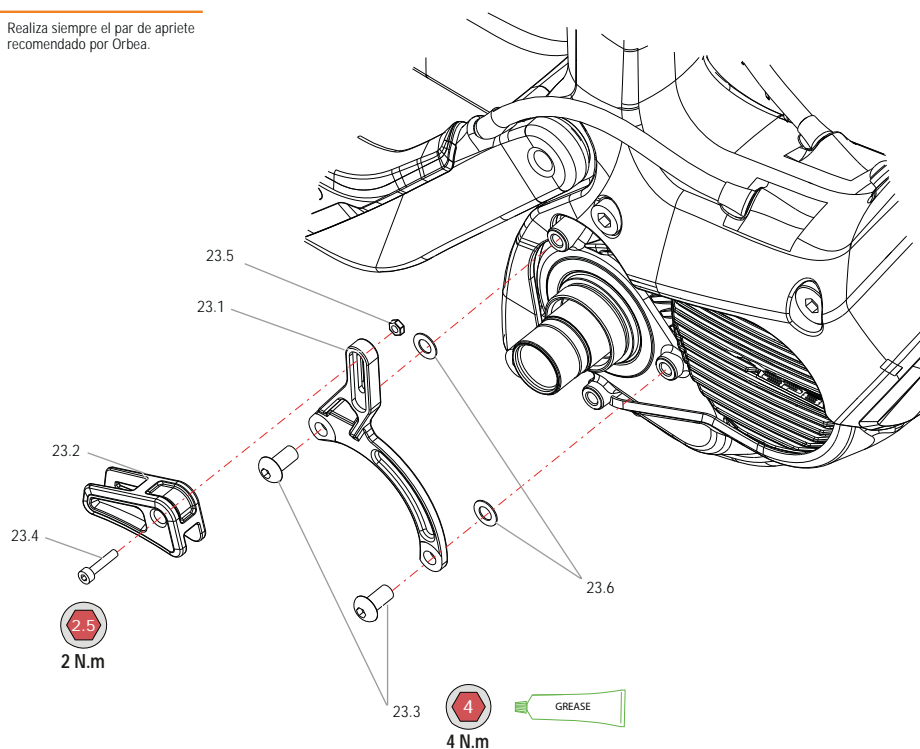
## 22 KIT PLETINA INTERNA PORTABIDÓN RISE

ART N°: X2270000	CANT.
22.1 PLETINA INTERNA AMARRE POTABIDÓN	1
22.2 TORNILLO M3x8 DIN7991 AMARRE CUADRO	1
22.3 TORNILLO PORTABIDÓN M5x10	2
22.4 ARANDELA 6.2x10x2	4

**AVISO** Utilizar siempre las arandelas originales para la instalación del portabidón estándar o el del Range Extender.

# GUÍA CADENA

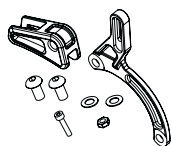
**⚠** Realiza siempre el par de apriete recomendado por Orbea.



## 23 KIT GUÍA CADENAS RISE

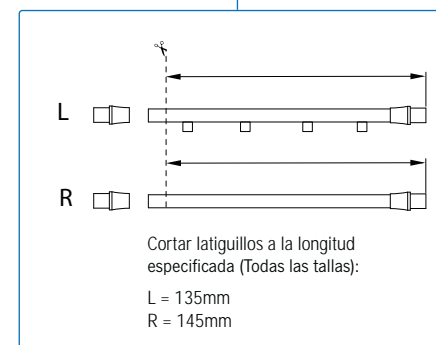
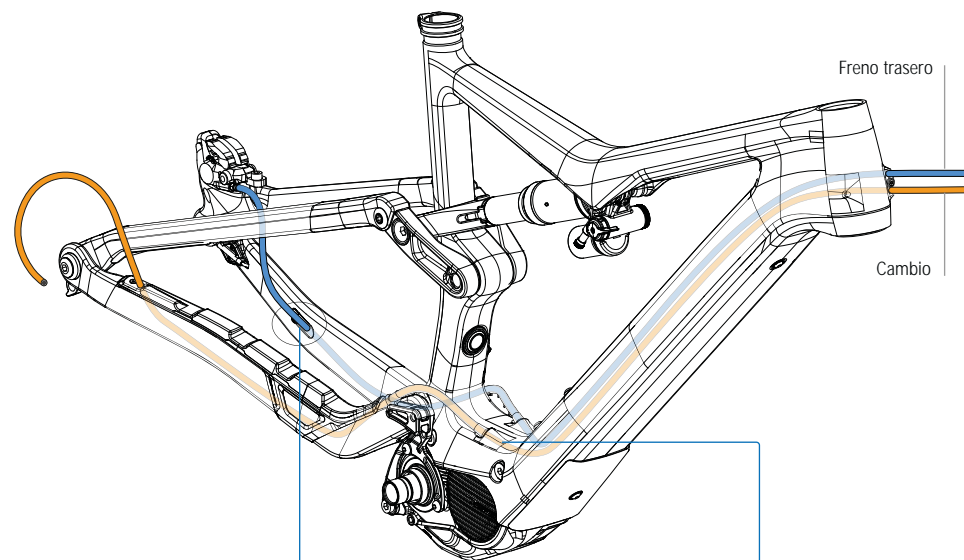
ART N°: X2210000

CANT.



23.1	SOPORTE GUÍA CADENA RISE	1
23.2	GUÍA CADENA	1
23.3	TORNILLO AMARRE MOTOR EP8	2
23.4	TORNILLO M3X15	1
23.5	TUERCA M3 AMARRE GUÍA CADENA	1
23.6	ARANDELA M6	2

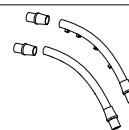
# CABLEADO DE CAMBIO Y FRENO TRASERO



## 24 KIT LATIGUILLOS TRIÁNGULO-BASCULANTE RISE

ART N°: X2020000

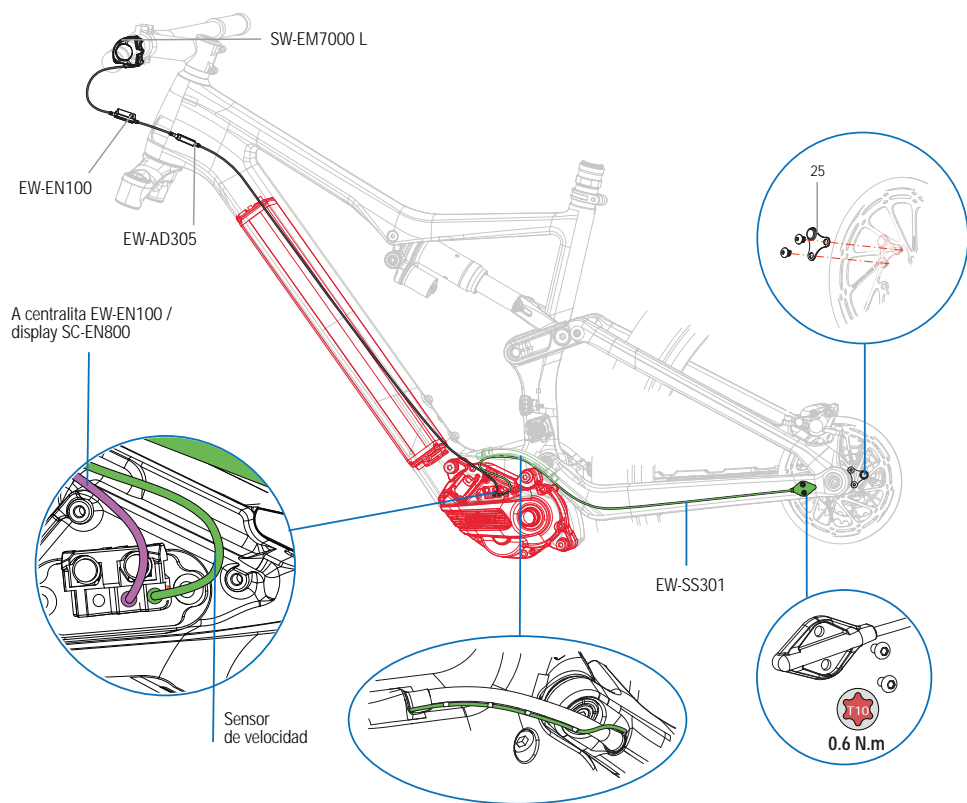
CANT.



LATIGUILLO FS (MEDIDA ÚNICA)	1
LATIGUILLA FS CLIP SENSOR (MEDIDA ÚNICA)	1
TOPE LATIGUILLO FS	2

## CABLEADO DE COMPONENTES DEL SISTEMA SHIMANO EP8

### MONTAJES CON CENTRALITA EW-EN100 (SIN DISPLAY)



#### 25 IMÁN SENSOR VELOCIDAD DISCO 6 BOLT

ART N°: X2400000

CANT.

IMÁN SENSOR VELOCIDAD DISCO 6 BOLT

1



#### AVISO

La instalación de componentes del sistema de asistencia eléctrica requiere conocimientos avanzados y puede estar más allá de la habilidad de la mayoría de usuarios. Siempre acude a un distribuidor oficial para el diagnóstico, reparación e instalación de los componentes del sistema eléctrico de Rise.

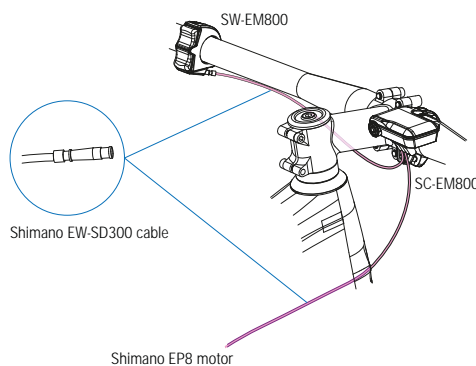
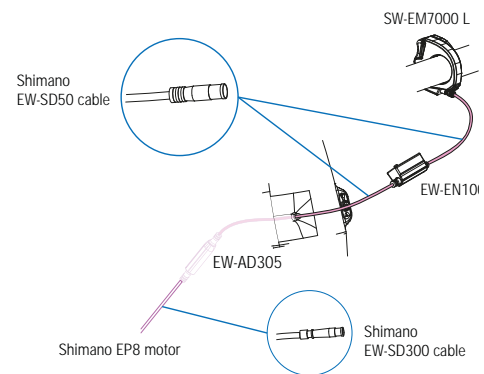
Daños en los componentes derivados de una incorrecta instalación podrían anular la garantía de dichos componentes.

### DIFERENCIAS DE CABLEADO ENTRE MONTAJES CON CENTRALITA EW-EN100 (SIN DISPLAY) Y MONTAJES CON DISPLAY SC-EM800 (OPCIÓN)

Los montajes con centralita Shimano EW-EN100 usan cables Shimano STEPS/Di2 estándar EW-SD50 para la conexión de la maneta de cambio de modo de asistencia a la centralita.

Un cable estándar SD50 conecta la centralita con un adaptador EW-AD305 en el interior del cuadro, que convierte el cable Di2 estándar a un cable de menor grosor SW-SD300 que se conecta al motor EP8 RS.

Los cables electrónicos EW-SD300 son el estándar de Shimano para las conexiones en sistemas EP8.



Los montajes con display SC-EM800 utilizan el nuevo estándar de cable EW-SD300 para la conexión de la maneta de cambio de modo de asistencia al display y del display al remoto, no siendo necesario el adaptador EW-AD305 en el interior del cuadro.

## CONEXIÓN DEL SISTEMA EP8 EN RISE A ETUBE PROFESSIONAL MEDIANTE PCE1 / PCE02. INFORMACIÓN PARA DISTRIBUIDORES

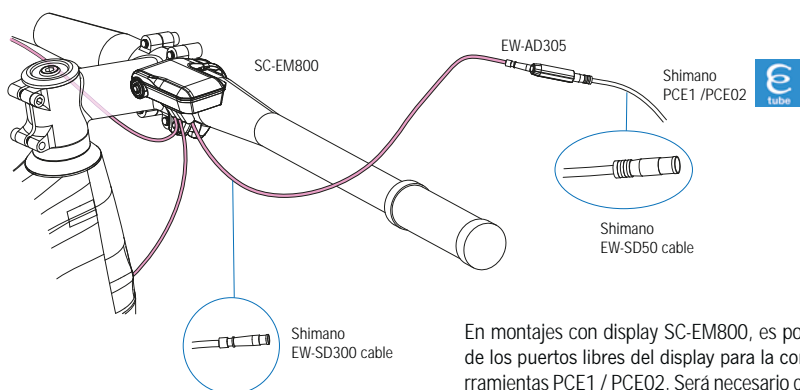
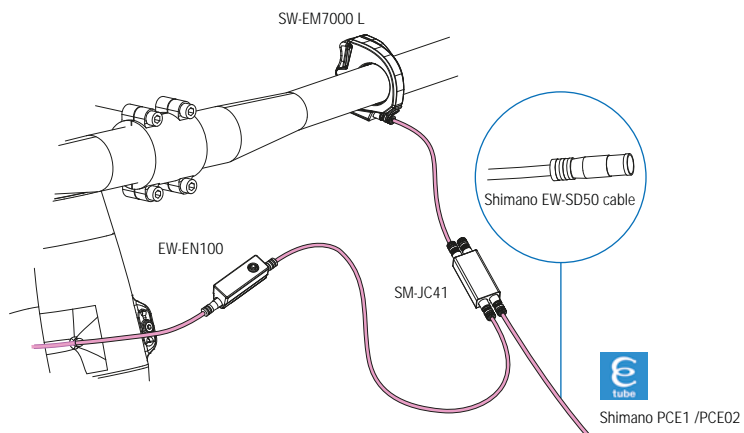
Como usuario, recuerda que puedes usar la aplicación para móviles Etube Project para conectar tu bicicleta, personalizar el sistema y realizar ciertos diagnósticos.

Para acceder a toda la información de Shimano EP8 en Etube, actualiza tu versión del software a Etube Project V4:

<https://bike.shimano.com/en-EU/e-tube/project.html>

**AVISO** La conexión y diagnóstico del sistema Shimano STEPS a Etube Professional debe ser realizada por un distribuidor autorizado.

Para la conexión de los montajes con centralita EW-EN100, será necesario el uso de una centralita SM-JC41 y un cable SD50 adicional para obtener un puerto libre para la conexión al ordenador mediante un cable estándar SD50.



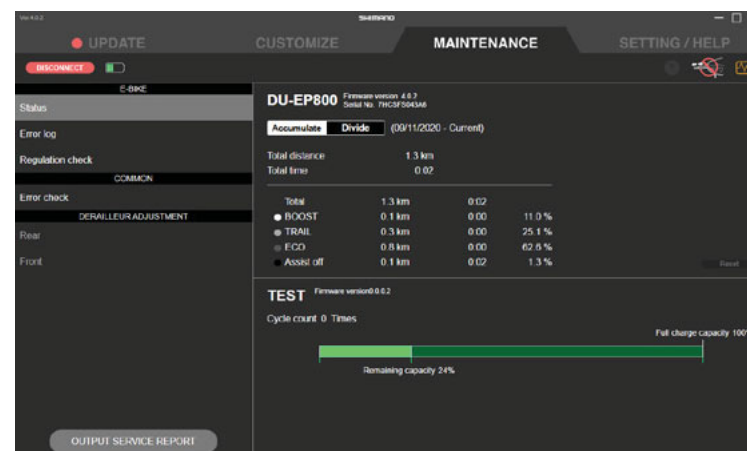
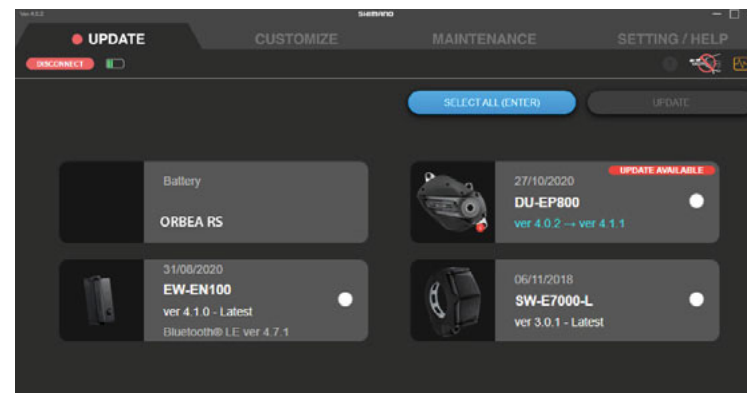
En montajes con display SC-EM800, es posible utilizar uno de los puertos libres del display para la conexión de las herramientas PCE1 / PCE02. Será necesario conectar un cable SD300 al display y utilizar un adaptador EW-AD305 para convertir este cable SD300 a cable estándar SD50 para su conexión a la herramienta de diagnóstico.

## BATERÍA ORBEA RS EN ETUBE PROFESSIONAL

La batería Orbea RS es visible como parte del sistema Shimano EP8 RS al conectar el sistema a Etube Professional utilizando las herramientas de diagnóstico de Shimano PCE1 o PCE02.

Con la herramienta de diagnóstico PCE02, puedes acceder a información relevante de la batería en la pestaña Mantenimiento, como la versión del firmware y los ciclos de carga.

**AVISO** Lee la sección Información Relevante sobre las baterías RS para saber más sobre el cuidado y diagnóstico de las baterías RS.





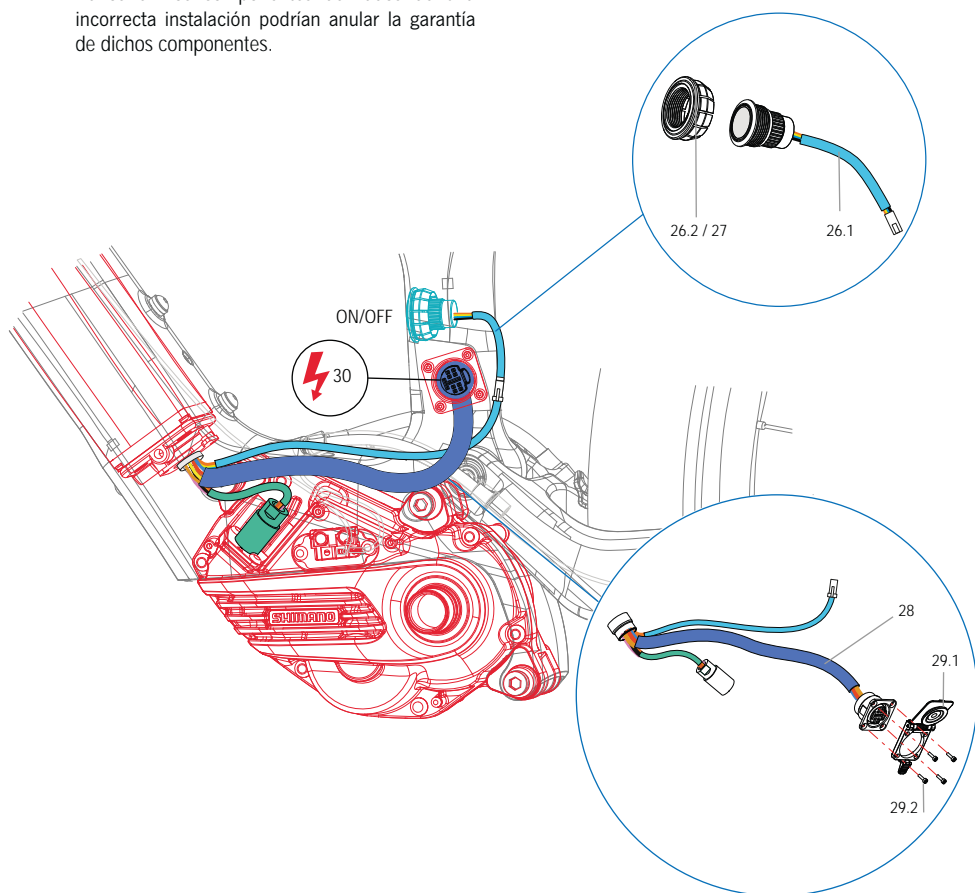
## CABLEADO DE COMPONENTES ORBEA RS

**AVISO**


La instalación de componentes del sistema de asistencia eléctrica requiere conocimientos avanzados y puede estar más allá de la habilidad de la mayoría de usuarios. Siempre acude a un distribuidor oficial para el diagnóstico, reparación e instalación de los componentes del sistema eléctrico de Rise.

Daños en los componentes derivados de una incorrecta instalación podrían anular la garantía de dichos componentes.

Rise utiliza ciertos componentes exclusivos de Orbea para la conexión de la batería interna RS al motor. El cargador y el puerto de carga también son exclusivos del sistema RS.



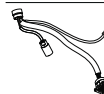
### 26 BOTÓN ENCENDIDO RISE

ART N°: X2360000	CANT.
26.1 BOTÓN ENCENDIDO+CABLE	1
26.2 SOPORTE CLIP BOTÓN ENCENDIDO TUBO SILLÍN	1



### 28 PUERTO DE CARGA+CABLE HARNESS RS

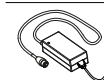
ART N°: X2380000	CANT.
El cable Harness incluye en una unidad el puerto de carga, la conexión al motor, a la batería y al botón de encendido.	1



### 30 CARGADOR BATERÍA RS 36V 2A

X2320000	CARGADOR BATERÍA RS 36V 2A (EU)
X2320100	CARGADOR BATERÍA RS 36V 2A (USA)
X2320200	CARGADOR BATERÍA RS 36V 2A (UK)
X2320300	CARGADOR BATERÍA RS 36V 2A (AUS)

Cada código incluye el cargador RS junto al cable de corriente específico



### 27 SOPORTE CLIP BOTÓN ENCENDIDO RISE

ART N°: X2370000	CANT.
SOPORTE CLIP BOTÓN ENCENDIDO TUBO SILLÍN	1



### 29 TAPA PUERTO DE CARGA RISE

ART N°: X2390000	CANT.
29.1 TAPA PUERTO DE CARGA RISE	1
29.2 TORNILLO M2x8	4

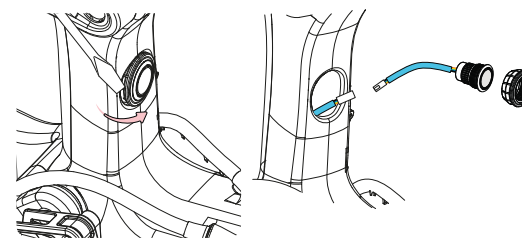


## SUSTITUCIÓN DE COMPONENTES

### SUSTITUCIÓN DEL BOTÓN DE ENCENDIDO

Es posible sustituir el botón de encendido de Rise sin desmontar el motor EP8 RS. Utiliza un destornillador plano fino para, con cuidado de no dañar la pintura, soltar el soporte clip del tubo de sillín.

Tira con cuidado del cable y desconecta el cable del botón de encendido del cable harness. Vuelve a instalar un nuevo botón y presiona el soporte clip con firmeza en el tubo de sillín.



### SUSTITUCIÓN DEL CABLE HARNESS

Para la sustitución del cable harness, que incluye el puerto de carga y los cables de conexión a la batería interna RS, al motor y al botón de encendido, es necesario desmontar el motor.

Tras desmontar el motor, desconecta el cable de la batería, el motor y el botón de encendido y retira el cable harness a través del agujero del puerto de carga.

La instalación de un nuevo cable harness debe hacerse introduciendo en cable a través del agujero para el puerto de carga con los extremos de conexión a la batería, motor y botón de encendido en primer lugar.

**AVISO**

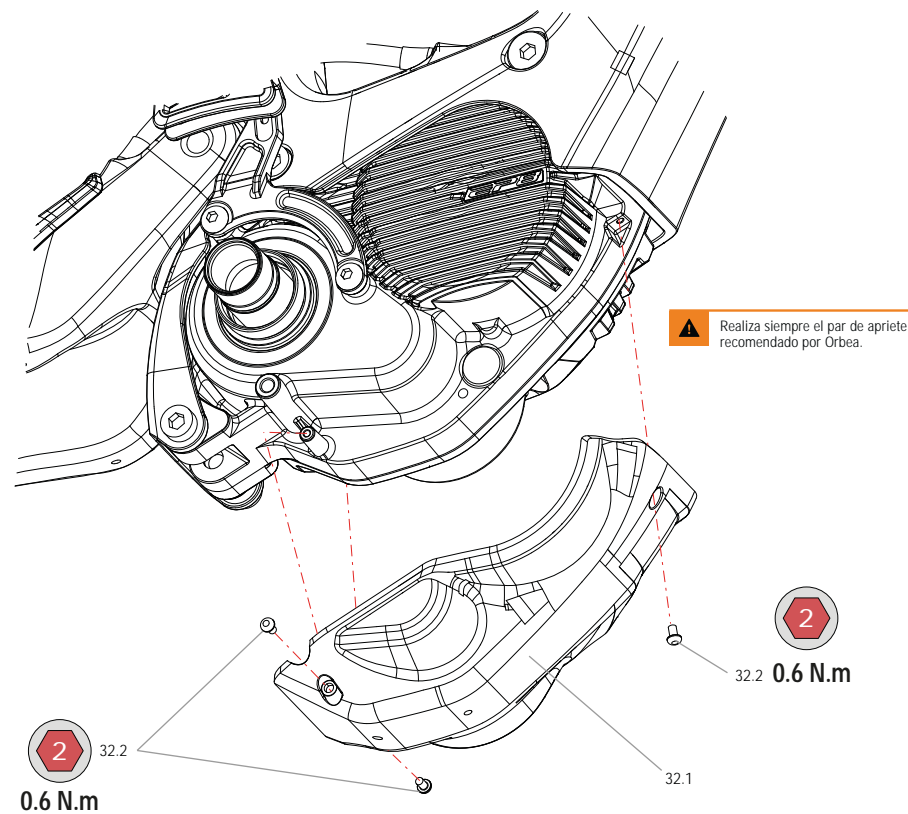
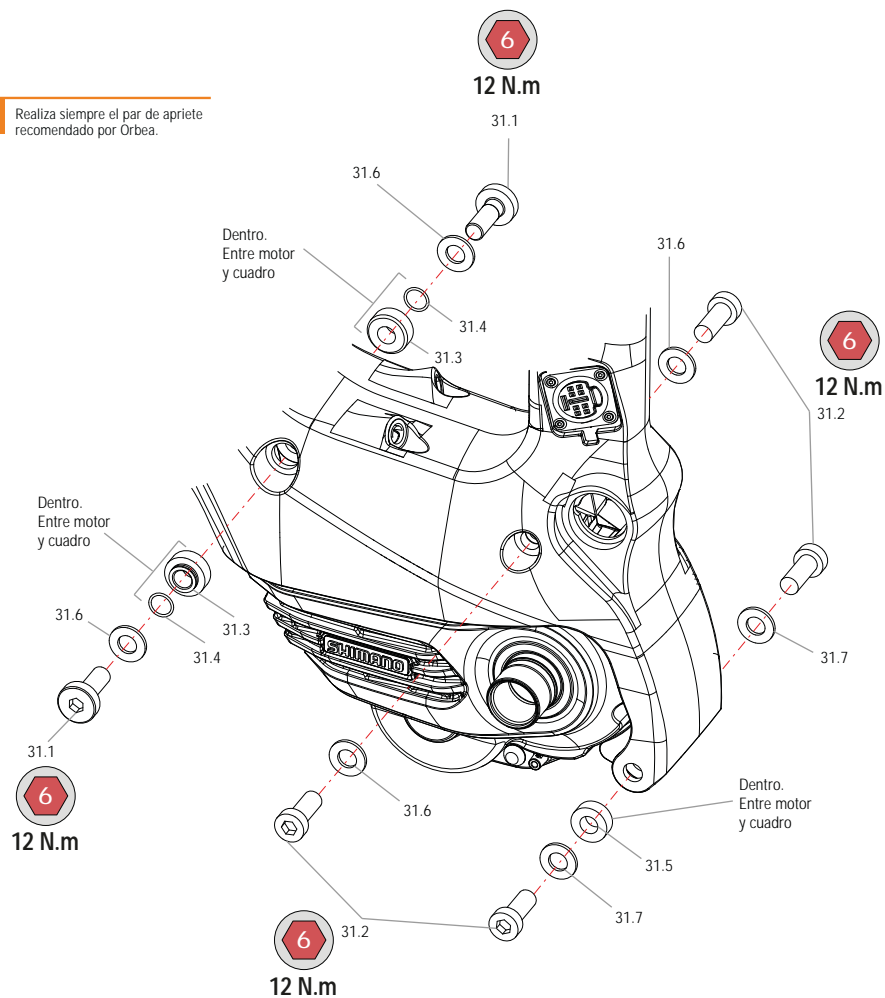

La instalación de componentes del sistema de asistencia eléctrica requiere conocimientos avanzados y puede estar más allá de la habilidad de la mayoría de usuarios.

Siempre acude a un distribuidor oficial para el diagnóstico, reparación e instalación de los componentes del sistema eléctrico de Rise.

Daños en los componentes derivados de una incorrecta instalación podrían anular la garantía de dichos componentes.

# FIJACIÓN DEL MOTOR EP8 RS

**⚠** Realiza siempre el par de apriete recomendado por Orbea.



**⚠** Realiza siempre el par de apriete recomendado por Orbea.

## 31 KIT AMARRE MOTOR EP8 RS RISE

ART N°: X2310000		CANT.
	31.1 TORNILLO AMARRE MOTOR M8x22 12Nm	2
	31.2 TORNILLO AMARRE MOTOR M8 ROSCA 1.25 12Nm	4
	31.3 SEPARADOR DELANTERO AMARRE MOTOR	2
	31.4 JUNTA TÓRICA 10x1	2
	31.5 SEPARADOR TRASERO AMARRE MOTOR	1
	31.6 ARANDELA 13mm	4
	31.7 ARANDELA M8 DIN 125 DS	2

## 32 PROTECTOR MOTOR EP8

ART N°: X2300000		CANT.
	32.1 PROTECTOR INFERIOR MOTOR EP8	1
	32.2 TORNILLO FIJACIÓN PROTECTOR	3

# BATERÍA INTERNA RS

**AVISO** Consulta las recomendaciones de mantenimiento, uso, carga y almacenamiento de las baterías RS en las secciones de Mantenimiento y Advertencias de Uso del Sistema de Asistencia Eléctrica de este manual.

Consulta también el proceso de carga, encendido y comprobación del nivel de las baterías en la sección Uso de Rise de este manual.

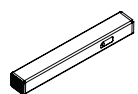
Consulta la sección Información Relevante de las Baterías RS para acceder y más información útil de uso, cuidados y solución de problemas de la batería interna y el Range Extender.

## ESPECIFICACIONES TÉCNICAS DE LA BATERÍA INTERNA RS

VOLTAJE	36V
CAPACIDAD	360 Wh
PESO	2.2 Kg
CELDAS	ION-LITIO. 21700
TIEMPO DE CARGA (2A)	5 HORAS
MONTAJE	INTERNO. EN TUBO DIAGONAL
CONEXIÓN	CABLE HARNESS A MOTOR, PUERTO DE CARGA Y BOTÓN DE ENCENDIDO

### 33 BATERÍA INTERNA ORBEA RS 360 Wh 36V

ART N°: X2220000	CANT.
------------------	-------

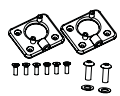


La batería interna RS de Rise está disponible a través de un distribuidor autorizado como artículo de sustitución por deterioro natural o garantía

1

### 34 KIT SOPORTES BATERÍA INTERNA RISE

ART N°: X2280000	CANT.
------------------	-------



34.1	SOPORTE ALUMINIO BATERÍA INTERNA A CUADRO	2
34.2	TORNILLO FIJACIÓN SOPORTE A BATERÍA	6
34.3	TORNILLO FIJACIÓN SOPORTE A CUADRO M6x12	2
34.4	ARANDELA 6x11x0.5	2

### 35 TORNILLOS FIJACIÓN BATERÍA INTERNA RISE

ART N°: X2470000	CANT.
------------------	-------



35.1	TORNILLO FIJACIÓN SOPORTE A CUADRO M6x12	2
35.2	ARANDELA 6x11x0.5	2

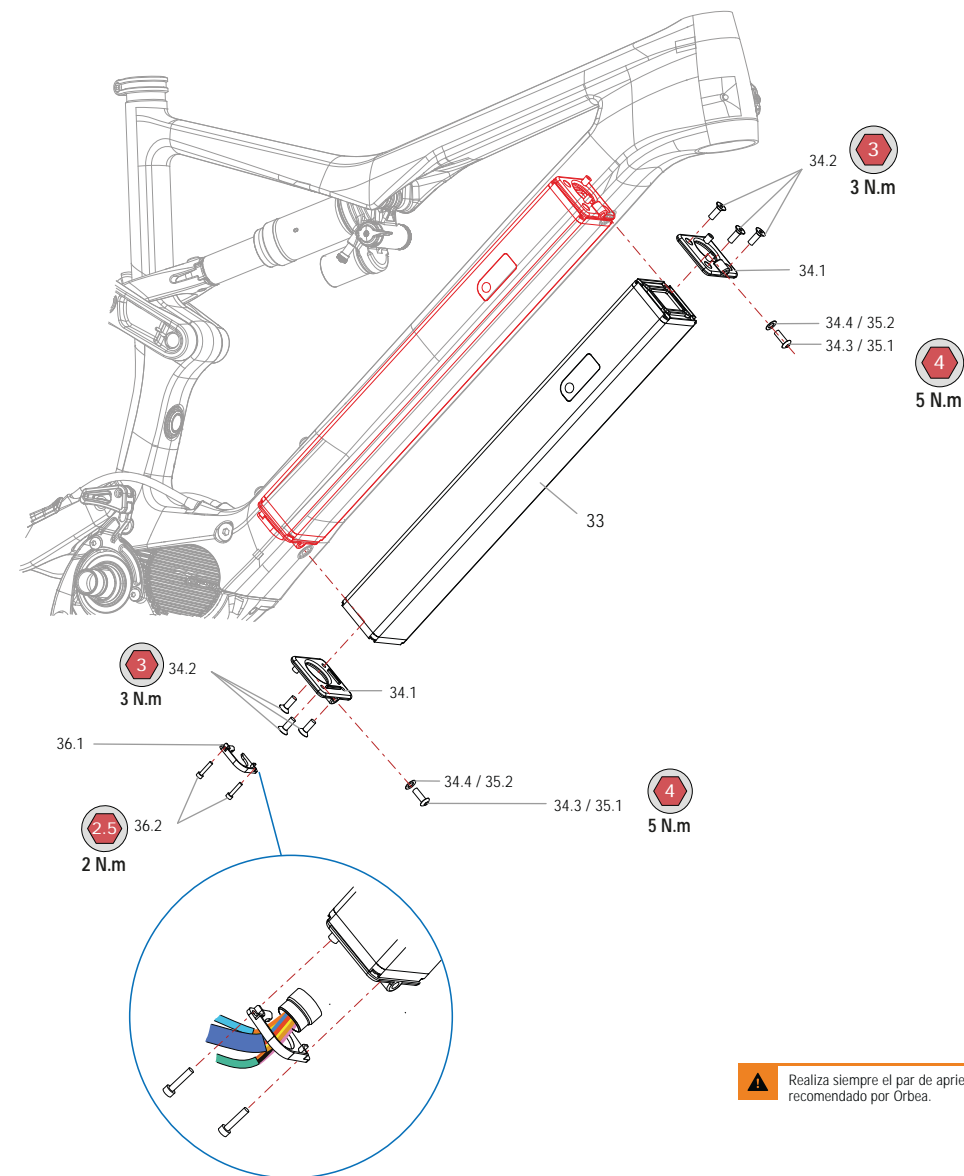
### 36 PLETINA AMARRE CABLE BATERÍA RISE

ART N°: X2290000	CANT.
------------------	-------



36.1	PLETINA PLÁSTICO CABLE BATERÍA	1
36.2	TORNILLOS FIJACIÓN	2

## FIJACIÓN DE LA BATERÍA INTERNA RS AL CUADRO



**⚠** Realiza siempre el par de apriete recomendado por Orbea.

## DESMONTAJE DE LA BATERÍA INTERNA RS. INFORMACIÓN PARA DISTRIBUIDORES

### AVISO



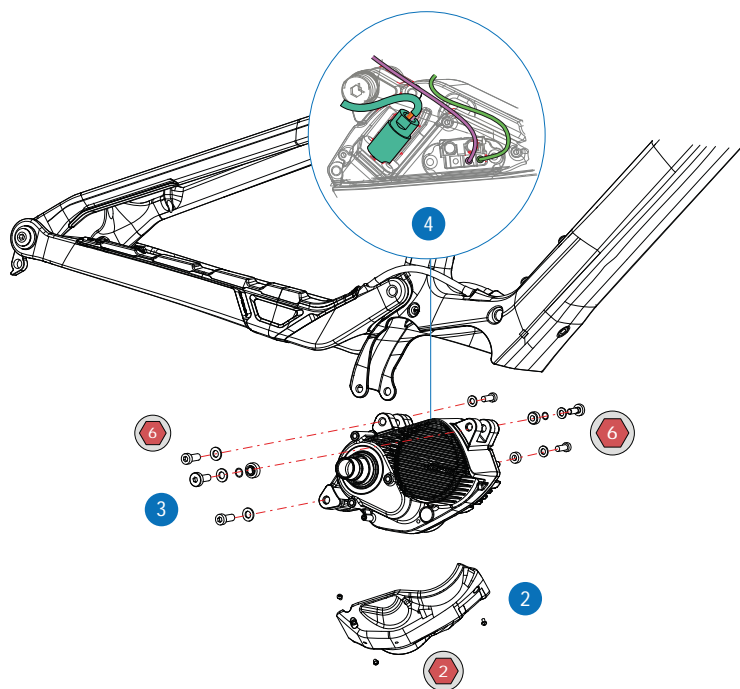
La instalación de componentes del sistema de asistencia eléctrica requiere conocimientos avanzados y puede estar más allá de la habilidad de la mayoría de usuarios.

Siempre acude a un distribuidor oficial para el diagnóstico, reparación e instalación de los componentes del sistema eléctrico de Rise.

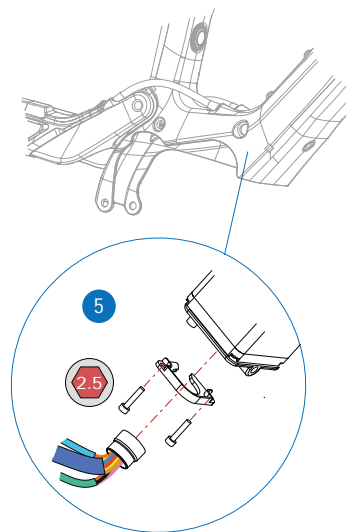
Daños en los componentes derivados de una incorrecta instalación podrían anular la garantía de dichos componentes.

Orbea recomienda que sólo un distribuidor autorizado Orbea realice la sustitución de la batería interna, ya que requiere desmontar componentes principales de la bicicleta y el sistema eléctrico. Si vas a viajar con tu bicicleta y necesitas desmontar la batería, lleva siempre tu bicicleta a un distribuidor Orbea para evitar daños en los materiales y asegurar el funcionamiento correcto y seguro de todos los componentes.

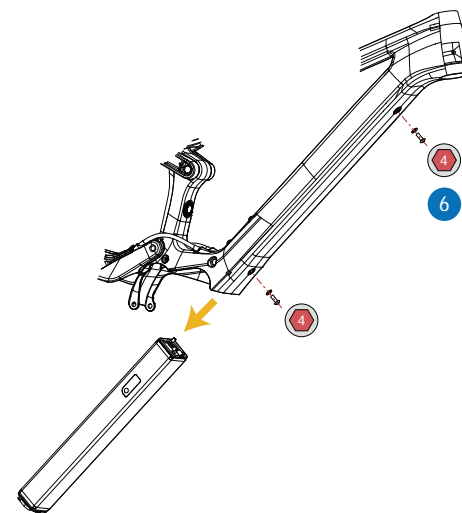
1. Desmonta las bielas y el plato del motor EP8 RS.
2. Retira el protector del motor.
3. Retira todos los tornillos, arandelas y separadores de fijación del motor al cuadro.
4. Sujeta el motor para evitar tirones en los cables y desconecta el cable de alimentación del motor y los cables del sensor de velocidad y del display.



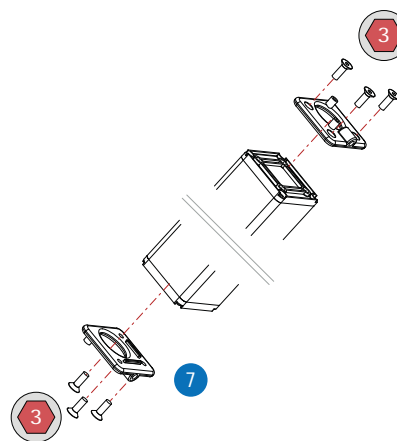
5. Con la batería interna aún dentro del cuadro, retira la platina de fijación del cable de la batería y desconecta el cable de la misma.



6. Retira los tornillos de fijación de la batería al tubo diagonal y tira con cuidado de la batería para evitar daños en los cables dentro del tubo diagonal.
7. Si vas a sustituir la batería, retira las pletinas de fijación de la batería al tubo diagonal.



8. Para instalar una nueva batería, realiza el proceso de manera inversa. Puedes consultar el orden de montaje de los diferentes componentes y los pares de apriete recomendados en las secciones de despiece de este manual.



## BATERÍA EXTERNA ORBEA RANGE EXTENDER

La batería externa Orbea Range Extender RS se conecta al sistema de asistencia para proporcionar 252 Wh de capacidad adicional al mismo, aumentando la capacidad total de Rise, junto con la batería interna, a 612 Wh. Así, la batería Range Extender aumentará la autonomía conseguida con la batería interna un 70%.

### ESPECIFICACIONES TÉCNICAS DEL RANGE EXTENDER

VOLTAJE	36V
CAPACIDAD	252 Wh
PESO	1.4 Kg
CELDAS	ION-LITIO. 18650
TIEMPO DE CARGA (2A)	3.5 HORAS
MONTAJE	PORTABIDÓN ESPECÍFICO EN TUBO DIAGONAL
CONEXIÓN	CABLE RANGE EXTENDER A PUERTO DE CARGA DE RISE

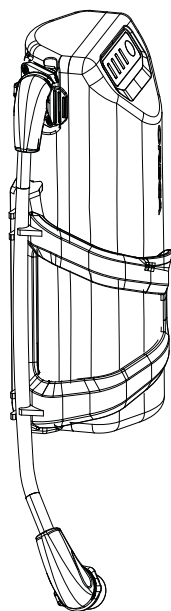
### MONTAJE DEL RANGE EXTENDER

Instala el portabidón específico del Range Extender en el tubo diagonal de Rise, instalando los tornillos de fijación con un par de apriete de 5Nm.

Al instalar el portabidón del Range Extender, retira las cuatro arandelas premontadas en el cuadro y comprueba que una vez instalado, los seis puntos de contacto del portabidón se apoyan correctamente en el tubo diagonal.

Instala la batería Range Extender en el portabidón y asegúralo con la goma de seguridad.

El soporte del Range Extender es compatible con el uso de bidones estándar cuando el range extender no esté montado en la bicicleta.



### CONEXIÓN DEL RANGE EXTENDER A RISE

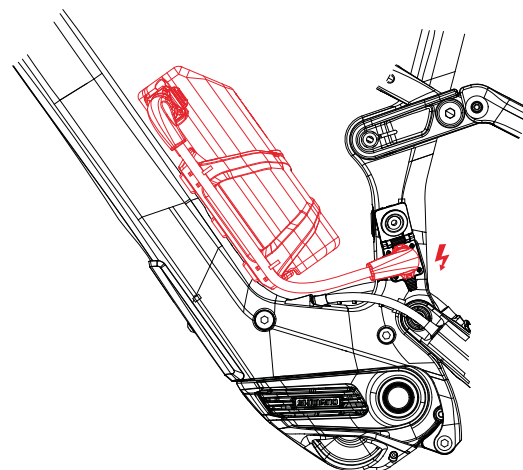
Conecta el cable de conexión del Range Extender al puerto de carga del Range Extender. Abre la tapa del puerto de carga de Rise y conecta el otro extremo del cable al puerto de carga.

#### AVISO

Si Rise estaba encendida al conectar el Range Extender al puerto de carga de la bicicleta, el sistema eléctrico se apagará y deberás volver a encender Rise. Este comportamiento es debido a que el sistema necesita reiniciarse para reconocer a la batería Range Extender como parte del sistema de alimentación.

Si estabas grabando una actividad a través de Garmin Connect utilizando la aplicación Orbea RS Toolbox, esto no tendrá ningún efecto sobre el registro de datos de Rise en Garmin Connect. Los datos de la actividad se seguirán registrando cuando empieces a utilizar Rise de nuevo.

Una vez enciendas la bicicleta con el Range Extender conectado, el Range Extender estará operativo. No es necesario encender el Range Extender.



### FUNCIONAMIENTO DEL RANGE EXTENDER

El Range Extender alimenta el motor Shimano EP8 RS directamente. Al usar Rise con el Range Extender conectado, sólo el Range Extender proporcionará corriente al motor hasta agotar la carga del Range Extender. Tras agotar el Range Extender, la batería interna pasará a proporcionar corriente al motor si tuviese carga restante.

## VISUALIZACIÓN DEL NIVEL DE CARGA

### NIVEL DE CARGA CONJUNTO

Con el Range Extender conectado a Rise (habiendo encendido Rise tras conectar el Range Extender), el sistema calculará la capacidad total de ambas baterías (612 Wh) y la información de la carga restante del sistema vendrá dada por la suma de los niveles de carga de ambas baterías.

El nivel de carga conjunto será visible a través de la centralita EW-EN100, del display SC-EN800 o del campo de datos Orbea RS Toolbox para dispositivos Garmin compatibles.

Consulta el apartado Visualización del nivel de carga de las baterías de la sección Uso de Rise de este manual para conocer el detalle de los diferentes modos de visualización del nivel de carga de las baterías en Rise.

### EJEMPLOS:

BATERÍA	NIVEL DE CARGA DE LA BATERÍA	NIVEL DE CARGA DEL SISTEMA
Batería interna RS (360Wh)	50% (180Wh)	50% (306 Wh de 612 Wh)
Range Extender (252 Wh)	50% (126 Wh)	

BATERÍA	NIVEL DE CARGA DE LA BATERÍA	NIVEL DE CARGA DEL SISTEMA
Batería interna RS (360Wh)	100% (360Wh)	79% (486 Wh de 612 Wh)
Range Extender (252 Wh)	50% (126 Wh)	

### NIVEL DE CARGA DEL RANGE EXTENDER POR SEPARADO

Consulta el apartado Visualización del nivel de carga de las baterías de la sección Uso de Rise de este manual para conocer el detalle de los diferentes modos de visualización del nivel de carga de las baterías en Rise.

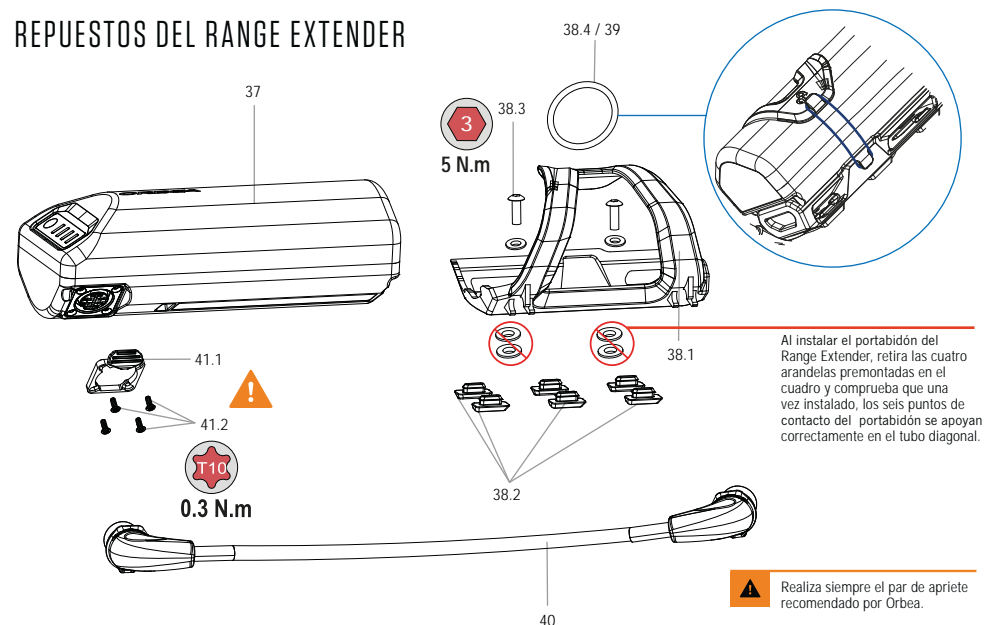
## CARGAR EL RANGE EXTENDER

Consulta el apartado Carga de las Baterías de la sección Uso de Rise de este manual para conocer el método de carga del Range Extender y de la batería interna.

### AVISO

Consulta la sección Información Relevante de las Baterías RS para acceder y más información útil de uso, cuidados y solución de problemas de la batería interna y el Range Extender.

## REPUESTOS DEL RANGE EXTENDER

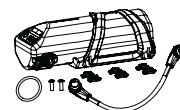


### AVISO

Utilizar siempre las arandelas originales para la instalación del portabidón estándar o el del Range Extender.

### 37 BATERÍA RS RANGE EXTENDER 252 WH

ART N°: Y022



Incluye todo lo necesario para la instalación de la batería Range Extender en Rise.

- Batería Range Extender 252Wh
- Cierre puerto de carga RE
- Soporte portabidón Range Extender
- Protecciones de goma
- Tornillos de amarre M5x10 al cuadro
- Cable de conexión a puerto de carga
- Goma de seguridad

### 38 SOPORTE RANGE EXTENDER

Compatible con bidón estándar

ART N°: X2230000

	CANT.
38.1 SOPORTE RANGE EXTENDER	1
38.2 PROTECTOR CUADRO GOMA	6
38.3 TORNILLO M5x10	2
38.4 GOMA SEGURIDAD 40x3.5	1

### 39 KIT GOMAS SEGURIDAD RANGE EXTENDER

ART N°: X2240000

	CANT.
39.1 GOMA SEGURIDAD 40x3.5	4

### 40 CABLE CONEXIÓN RANGE EXTENDER RS

ART N°: X2250000

	CANT.
CABLE CONEXIÓN RANGE EXTENDER RS	1

### 41 CIERRE PUERTO CARGA RANGE EXTENDER RS

ART N°: CONTACTA CON ORBEA

	CANT.
41.1 CIERRE PUERTO DE CARGA RANGE EXTENDER	1
41.2 TORNILLO M2x8	4

⚠ No desinstalar o manipular el cierre del puerto de carga del Range Extender. Hacerlo podría dañar la batería y anular la garantía. Si es preciso sustituir el cierre del puerto de carga, contacta con Orbea.

## 12 INFORMACIÓN RELEVANTE DE LAS BATERÍAS DE LITIO ORBEA RS



Lee todo el Manual de usuario antes de usar las baterías y los cargadores Orbea RS para tu seguridad.

Contacta con Orbea o un distribuidor autorizado para obtener información sobre la instalación y los ajustes de los productos que no se encuentran en el Manual de usuario.



Se deben seguir las siguientes instrucciones en todo momento para evitar lesiones corporales y del equipo y al entorno.

La información del siguiente manual es aplicable tanto para la batería interna como al Range Extender.

### INSTRUCCIONES DE SEGURIDAD DE LAS BATERÍAS Y ADVERTENCIAS

- Usa solamente el cargador específico RS y sigue las condiciones de carga especificadas al cargar la batería. De lo contrario, podría ocasionarse el sobrecalentamiento, explosión o ignición de la batería.
- No dejes la batería cerca de fuentes de calor como calentadores, vehículos o cualquier lugar peligroso.
- No calientes la batería ni la arrojes al fuego.
- No deformes, modifiques, desarmes ni apliques soldadura directamente a la batería.
- No conectes los terminales (+) y (-) y otros terminales con objetos metálicos. No lleses ni guardes la batería junto con objetos metálicos como collares u horquillas. Podría resultar en cortocircuitos, sobrecalentamiento, quemaduras u otras lesiones.
- No sumerjas la batería en el agua y no permitas que los terminales de la batería se mojen. De lo contrario, podría resultar en sobrecalentamiento, explosión o ignición de la batería.

- No perfores o aplastes la batería.
- Si hay fugas en la batería y el líquido entra en contacto con los ojos, la piel o la ropa, lava inmediatamente las áreas afectadas con abundantemente aguas limpias y busca asistencia médica de inmediato. El líquido de la batería puede dañar tus ojos y piel.
- Si la batería no se carga por completo en el tiempo de carga designado de 5 horas más otras 2 horas más (3.5 horas + 2 horas para el Range Extender), desenchufa la batería del cargador y contacta con un distribuidor autorizado inmediatamente.
- No uses la batería si tiene algún daño externo.
- No uses la batería si tiene fugas, decoloración, deformación o cualquier otra anomalía.
- No cargues la batería en lugares mojados o muy húmedos, o al aire libre.
- No desconectes o conectes la batería el enchufe si está mojado. De lo contrario, puede provocar descargas eléctricas. Si sale agua desde el enchufe, sécalo bien antes de conectarlo.
- No guardes la batería bajo luz directa del sol o en lugares con excesivo calor (como el interior de un coche). Mantenla alejada del calor y llamas. Esto puede provocar fugas de la batería.
- Usa ambas manos cuando manejes el producto para evitar peligros y lesiones.
- Si se produce un error durante la descarga o la carga, deja de usar la batería inmediatamente y consulta el Manual del usuario. Si no estás seguro/a, consulta con Orbea o un distribuidor autorizado.
- No limpies la batería con agua a alta presión.
- No uses alcohol, solventes o limpiadores abrasivos para limpiar la batería o el cargador. Utiliza un paño seco o ligeramente húmedo.

- Los niños deben ser supervisados para asegurarse de que no jueguen con la batería y el cargador.
- Si la batería explota, contacta con los bomberos de inmediato y retira con precaución otras baterías si es posible, evacua a todas las personas del área de fuego inmediatamente y usa abundante agua fría (mínimo 10 veces el peso de la batería) para apagar el fuego.

### CONDICIONES PARA EL ALMACENAMIENTO DE LAS BATERÍAS

- Almacena las baterías en un lugar seguro fuera del alcance de los bebés y las mascotas.
- Si la batería se almacena a temperaturas fuera de este rango, puede resultar en incendios o daños a la batería.
- **Rango de temperatura de almacenamiento: 0°C–35°C. Evite grandes cambios de temperatura.**
- Si no vas a usar la por un largo período de tiempo, guárdela con aproximadamente el 70% de la capacidad restante de la batería. Cargua cada 3 meses para que la batería no se agote por completo.
- Guarda la batería o las bicicletas con la batería instalada en lugares frescos y cerrados (aprox. 0°C–35°C) en lugares no expuestos a la luz solar directa o lluvia. Si la temperatura del almacenamiento es baja o alta, el rendimiento de la batería se reducirá y la autonomía por carga podría disminuir. Al no usar la batería por un periodo de tiempo, asegúrate de cargarla antes de usarla.
- Temperaturas superiores a 70°C pueden causar fugas y peligro de incendio.

### CONDICIONES PARA EL USO DE LAS BATERÍAS

- Los rangos de temperatura de funcionamiento de la batería se detallan a continuación. No uses la batería en temperaturas fuera de estos rangos.

- Podría ser motivo de incendios, lesiones o daños a la batería si la batería es usada a temperaturas que están fuera de estos rangos.

· **Use la batería solamente dentro del rango de temperatura de descarga: -10°C–50°C.**

· **Carga la batería solamente dentro del rango de temperatura de carga: 0°C–40°C.**

- La batería debe cargarse a temperatura ambiental, en una superficie seca y no inflamable, lejos de cualquier fuente de calor, humedad o materiales inflamables.

- Si la batería se ha cargado en un entorno de baja temperatura (0°C o menos), se acortará la autonomía disponible por carga completa.

- Si deseas transportar la batería, ten en cuenta que se considera mercancía peligrosa bajo las regulaciones vigentes. Utiliza embalajes y transportistas homologados.

### CONDICIONES PARA EL MONTAJE DE LA BATERÍA

- No uses la batería inmediatamente después de recibir la batería o la bicicleta. Asegúrate de cargarla completamente antes del primer uso.
- Apaga siempre la batería y/o la bicicleta antes de insertar o retirar la batería de la bicicleta.

### CONDICIONES PARA LA CARGA E INSTRUCCIONES DE SEGURIDAD

- La batería no está completamente cargada en el momento de la compra. Antes de andar en la bicicleta, asegúrate de cargar la batería completamente.
- Usa solamente el cargador original RS para cargar la batería.
- Apaga siempre la bicicleta y/o la batería antes de conectar o desconectar el cargador al puerto de carga.

· Asegúrate de que el puerto de carga de la bicicleta y los enchufes estén siempre limpios y secos antes de conectar el cargador.

· Nunca uses el cargador si sospechas que está dañado o sabes que está roto.

· No desmontes ni modifiques el cargador de batería.

· Mantén siempre la tapa del puerto de carga cerrada si no estás cargando la batería.

· No introduzcas objetos metálicos en el puerto de carga de las baterías.

· No permitas que se moje el cargador de batería y no uses el cargador mientras esté mojado. No lo sujetes ni lo sostengas con las manos mojadas para evitar descargas eléctricas.

· No uses el cargador cuando está cubierto con un paño u otro material.

· No toques las partes metálicas de las baterías o cargador para evitar descargas eléctricas.

· No uses el cargador para cargar la batería al aire libre o en entornos con alta humedad y evita la exposición a la lluvia o al viento.

· Para evitar daños al cable no sujetes el cargador por el cable y evita enrollar el cable al cuerpo del cargador al guardarlo.

· No pedalees ni realice ningún tipo de operación de descarga de la batería al estar cargando la batería.

· Retira siempre el Range Extender antes de lavar la bicicleta con agua o cualquier otro tipo de material líquido.

· Espera una hora si deseas cargar la batería después de usarla, ya que la temperatura de la batería podría estar demasiado alta.

· Es recomendable cargar la batería en un área con un detector de humo.

· No se recomienda tener la batería conectada permanentemente al cargador para evitar daños a la batería en caso de mal funcionamiento de los circuitos de corte de carga.

## RECICLAJE

· Se deben clasificar las baterías, accesorios y embalajes para un reciclaje ecorresponsable.

· Las baterías de ion de litio son recursos reciclables y valiosos. Para obtener información sobre las baterías usadas, siga las regulaciones de su área. Si no está seguro, consulte con Orbea o un distribuidor autorizado.

· No deseche la batería como basura doméstica. Será aceptado en el punto de venta y debidamente dispuesto.

## CONDICIONES DE INVALIDACIÓN DE GARANTÍA

· Carga la batería al menos cada 3 meses hasta aproximadamente el 70% de su capacidad, incluso cuando la bicicleta no esté en uso.

· La garantía no cubre los productos contra el desgaste natural y el deterioro del uso normal y el envejecimiento.

· La vida útil de la batería variará según factores como el método de almacenamiento, las condiciones de uso, el entorno y las características de cada batería.

· Si la batería se ha agotado por completo, cárgala lo antes posible. Si no se carga la batería, puede deteriorarse y quedar inutilizable.

· No desarmes la batería u otras partes relacionadas, incluso la etiqueta, ya que puede causar la pérdida de la garantía de la batería.

· Consulta la sección de Garantía de este manual para más detalles sobre la garantía de productos Orbea y el proceso de reclamaciones de garantía.

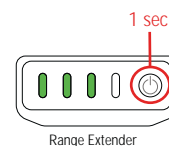
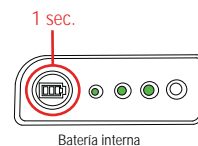
## DETALLE DE LOS INDICADORES DE CARGA LED DE LA BATERÍA

· Si una batería encendida no se usa durante 2 horas, la batería se apagará automáticamente.

### INDICACIÓN DE LA CAPACIDAD DE BATERÍA

#### 1. Durante el uso o cuando la batería no está cargando.

Mantén pulsado el botón principal de la batería durante 1 segundo. Los LED lucirán para indicar el nivel de carga de la batería en incrementos de 25%.



### NIVEL DE CARGA

### LEDs

75% ~ 100%



50% ~ 74%



25% ~ 49%



5% ~ 24%



0% ~ 4%



#### 2. Durante la carga.

(Después de que la batería esté completamente cargada, la luz de LED se apagará después de 5 segundos.)

100%



75% ~ 99%



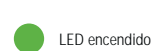
50% ~ 74%



25% ~ 49%



0% ~ 24%

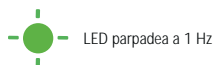
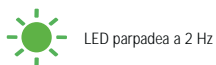
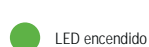




## CÓDIGOS DE ERROR DE LAS BATERÍAS Y ACCIONES A SEGUIR

- Si al presionar el botón principal de la batería no se encienden los indicadores LED, el circuito de protección está funcionando. Para liberar el circuito de protección, cargue la batería conectando el cargador original RS.
- Si la luz de LED comienza a parpadear como se muestra en la siguiente tabla al presionar el botón principal o durante la carga de la batería, sigue las acciones recomendadas para liberar las funciones de protección o realice las acciones de verificación necesarias correspondientemente.

SIGNIFICADO DE LOS CÓDIGOS DE ERROR	LEDs	ACCIÓN RECOMENDADA
Agotamiento de la capacidad de batería y activación de modo protección de voltaje bajo.		Comenzar a cargar la batería.
Activación del modo de protección de alta o baja temperatura de la batería.		Colocar la batería en un entorno de 5°C ~ 40°C
Activación del modo de protección de cortocircuito de la batería.		Quite cualquier objeto que pueda estar causando el cortocircuito en los pines de la batería y compruebe todos los cables. Espere 30 segundos.
Activación del modo de protección de falla permanente o protección de seguridad adicional de la batería.		Para la carga y contacta con un distribuidor autorizado.
Activación del modo de protección de la sobrecarga de corriente.		Quita el cargador y suspenda el proceso de carga de batería. Espere 30 segundos.
Después de un período de uso largo de la batería, solo lucen los LED cuando la batería está cargando y éstos parpadean durante 10 segundos.		Contacta con un distribuidor autorizado para comprobar el estado de la batería.



## 13 SUSPENSIONES AJUSTES DE HORQUILLAS FOX

Consulta el manual completo de las horquillas Fox montadas en Rise en la documentación del fabricante.

### MANUAL DE HORQUILLA FOX 36 FLOAT GRIP 2

[www.ridefox.com/fox17/help.php?m=bike&id=1082](http://www.ridefox.com/fox17/help.php?m=bike&id=1082)

### MANUAL DE HORQUILLA FOX 34 FLOAT GRIP & FIT4

[www.ridefox.com/fox17/help.php?m=bike&id=1081](http://www.ridefox.com/fox17/help.php?m=bike&id=1081)

## SUGERENCIAS DE AJUSTE DE PRESIÓN DE AIRE DE LAS HORQUILLA FOX 34 Y 36 FLOAT

Las siguientes tablas dan valores aproximados, pueden variar dependiendo del estilo de pilotaje o condiciones del terreno.

MEDICIONES DE SAG RECOMENDADO	Recorrido total de la horquilla	15% SAG (Firme)	20% SAG (Blando)
FOX 36 FLOAT	150mm	23mm	30mm
FOX 34 FLOAT	140mm	21mm	28mm

### PRESIÓN DE AIRE RECOMENDADA PARA AJUSTE DE SAG

FOX 36 FLOAT			FOX 34 FLOAT		
Peso ciclista+ equipación (Kg)	Peso ciclista+ equipación (Lb)	Presión (psi)	Peso ciclista+ equipación (Kg)	Peso ciclista+ equipación (Lb)	Presión (psi)
54-59	120-130	66	54-68	120-150	58-68
59-64	130-140	70	68-82	150-180	72-82
64-68	140-150	74	82-95	180-210	86-96
68-73	150-160	78	95-113	210-250	100-114
73-77	160-170	82			
77-82	170-180	86			
82-86	180-190	89			
86-91	190-200	94			
91-95	200-210	99			
95-100	210-220	105			
100-104	220-230	109			
104-109	230-240	113			
109-113	240-250	117			

## SUGERENCIAS DE AJUSTE DE REBOTE DE LAS HORQUILLA FOX 34 Y 36 FLOAT

El ajuste de rebote depende de la presión de aire. A mayor presión de aire, más cerrado deberá estar el circuito de rebote.

Usa la presión de aire final de tu horquilla para encontrar tu ajuste de rebote. Gira el dial de rebote hasta la posición de cerrado (gira en sentido horario).

Luego cuenta tantos "clicks" como aparecen en la tabla en sentido anti horario.

### AJUSTE DE REBOTE RECOMENDADO

FOX 36 FLOAT			FOX 34 FLOAT				
Peso ciclista+ equipación (Kg)	Peso ciclista+ equipación (Lb)	36 GRIP (clicks)	36 GRIP 2		Presión de aire	FIT 4 (clicks)	GRIP (clicks)
			LSR (clicks)	HSR (clicks)			
54-59	120-130	13	9	8	65psi/ 4.5 bar	8	13
59-64	130-140	12	8	7	70psi/ 4.8 bar	8	12
64-68	140-150	11	7	6	74psi/ 5.1 bar	7	11
68-73	150-160	10	7	6	80psi/ 5.5 bar	7	10
73-77	160-170	9	6	5	85psi/ 5.9 bar	6	9
77-82	170-180	8	6	5	90psi/ 6.2 bar	6	8
82-86	180-190	7	5	4	96psi/ 6.6 bar	5	7
86-91	190-200	6	4	3	101psi/ 7.0 bar	5	6
91-95	200-210	5	4	3	106psi/ 7.3 bar	4	5
95-100	210-220	4	3	2	111psi/ 7.6 bar	4	4
100-104	220-230	3	2	1	117psi/ 8.0 bar	3	3
104-109	230-240	2	2	1	122psi/ 8.4 bar	2	2
109-113	240-250	1	1	0	126psi/ 8.7 bar	1	1

## AJUSTES DE AMORTIGUADORES FOX

Consulta el manual completo de los amortiguadores Fox montados en Rise en la documentación del fabricante.

### MANUAL DE AMORTIGUADORES FOX DPS Y DPX2 EVOL

[www.ridefox.com/fox17/help.php?m=bike&id=1079](http://www.ridefox.com/fox17/help.php?m=bike&id=1079)

## SUGERENCIAS DE AJUSTE DE PRESIÓN DE AIRE DE LOS AMORTIGUADORES FOX DPX EVOL Y DPX2 EVOL

Las siguientes tablas dan valores aproximados, pueden variar dependiendo del estilo de pilotaje o condiciones del terreno.

### MEDICIÓN DE SAG RECOMENDADO **30%**

Ajusta la presión de aire del amortiguador hasta alcanzar el SAG objetivo. Un 25% de SAG te dará una sensación firme con más soporte, mientras que un SAG de 30% te proporcionará una sensación más suave de pilotaje.

### AJUSTE DEL REBOTE

Basado en la presión de aire una vez alcanzado el SAG objetivo.

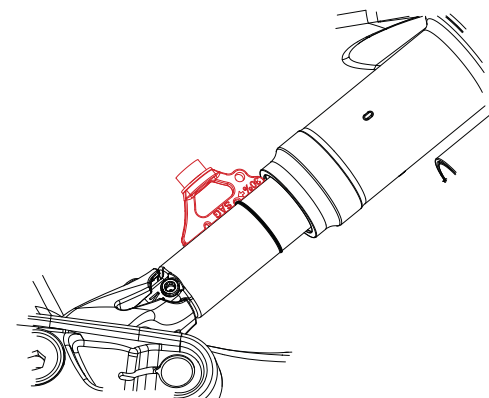
Presión de aire (psi)	Ajuste de rebote recomendado (clicks)
<100	Abierto
100-120	11
120-140	10
140-160	9
160-180	8
180-200	7
200-220	6
220-240	5
240-260	4
260-280	3
280-300	Cerrado
104-109	230-240
109-113	240-250

Una vez alcanzado el SAG que desees, ajusta el rebote dependiendo de la presión de aire en el amortiguador.

Usa la presión de aire final de tu amortiguador para encontrar tu ajuste de rebote. Gira el dial de rebote hasta la posición de cerrado (gira en sentido horario).

Luego cuenta tantos "clicks" como aparecen en la tabla en sentido anti horario.

Puedes usar el medidor de SAG integrado en la herramienta de precarga de la bieleta de Rise para medir un SAG del 30%.



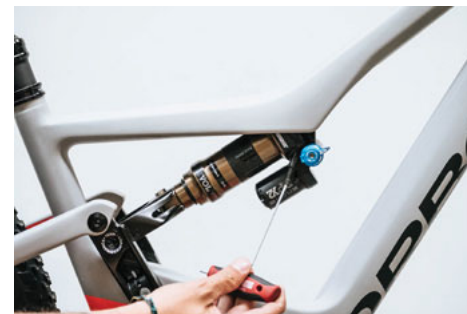
## REDUCTORES DE VOLUMEN DE LA CÁMARA DE AIRE EN AMORTIGUADORES FOX

El amortiguador FOX DPX2 te permite modificar el volumen de la cámara de aire para conseguir la progresividad que más se ajusta a tu estilo de conducción.

Este amortiguador se entrega de fábrica con un reductor de volumen de 0.2, Pero también se incluye un reductor de 0.4 Para que lo modifiques a tu gusto.

SIN REDUCTOR	COMPORTAMIENTO MÁS LINEAL	PESO DEL PILOTO LIGERO
		ESTILO MENOS AGRESIVO
CON REDUCTOR 0.2	MAYOR PROGRESIVIDAD	PESO DEL PILOTO MEDIO
		ESTILO DE PILOTAJE MEDIO
CON REDUCTOR 0.4	MAYOR PROGRESIVIDAD	MAYOR PESO DEL PILOTO
		ESTILO DE PILOTAJE AGRESIVO

1. Para instalar o desmontar los reductores de volumen de la cámara de aire del amortiguador, vacía por completo de aire la cámara del amortiguador DPX2.



2. A continuación, desenrosca la funda de la cámara de aire de la cabeza del amortiguador y desliza la funda hacia abajo.



3. Desmonta el reductor de la cámara de aire de 0.2 del vástago y monta el reductor de 0.4 (Con la cara plana hacia arriba) o deja la cámara de aire sin reductor de volumen.




4. Desliza la funda de la cámara de aire hacia arriba y enróscala de manera segura en la cabeza del amortiguador.




5. Con un fuelle de suspensiones vuelve a inflar la cámara de aire a la presión deseada.



## 14 DECLARACIÓN DE CONFORMIDAD




**DECLARACIÓN DE CONFORMIDAD CE**  
**EC DECLARATION OF CONFORMITY**

**El fabricante / The manufacturer:** Orbea S. Coop.  
Polígono Industrial Goitondo s/n  
48269, Mallabia (Bizkaia) - Spain

**Declara que los siguientes productos / Declares that the following products:**

Descripción / Description : EPAC  
 Marca / Make : ORBEA  
 Modelos / Models : EMX 24, GAIN, KATU, KERAM, OPTIMA, RISE, VIBE and WILD  
 Año de construcción / Year of manufacture : 2020 and 2021

**Cumplen con las siguientes Directivas Europeas / Fulfills the following European Directives:**

- Directiva 2006/42/CE / Directive 2006/42/EC
- Directiva 2004/108/CE / Directive 2004/108/EC
- Directiva 2011/65/CE / Directive 2011/65/EC

**Las siguientes normas armonizadas han sido completamente aplicadas / The following harmonized standards have been fully applied:**

De acuerdo con la Directiva 2006/42/CE / According to Directive 2006/42/EC

- EN 12100

De acuerdo con la Directiva 2004/108/CE / According to Directive 2004/108/EC

- EN 61000-3-2                      - EN 61000-3-3                      - EN 61000-6-1
- EN 61000-6-3                      - 61000-4-2



**Las siguientes normas nacionales y otras especificaciones (o partes de las mismas) han sido aplicadas / The following national standards and other specifications (or parts thereof) have been applied:**

- EN 15194                              - EN 14764

**Persona autorizada para elaborar el expediente técnico / Authorized person to elaborate the technical file:**

Nombre / Name : Aitor Juaristi (Quality Manager)  
 Dirección / Address : Polígono Industrial Goitondo s/n  
48269, Mallabia (Bizkaia) - Spain

02 / 11 / 2020

Orbea S. Coop.  
 P. I. Goitondo 48269 Mallabia (Bizkaia) - Spain  
 Tel.: + 34 943 171 950 - Fax: + 34 943 174 397  
 orbea@orbea.com - www.orbea.com



## 15 INFORMACIÓN ADICIONAL

ORBEA participa activamente en Facebook y Twitter con su fantástica comunidad global de ciclistas. ¿Busca algún lugar para andar en bici o pasar sus vacaciones? Seguro que alguien le ofrece ideas interesantes:

### FACEBOOK

[www.facebook.com/OrbeaBicycles](http://www.facebook.com/OrbeaBicycles)

### TWITTER

[www.twitter.com/Orbea/](http://www.twitter.com/Orbea/)

### YOUTUBE

Visite el canal de Orbea en YouTube; en él encontrará diversos videos técnicos y de configuración de gran utilidad:

[www.youtube.com/user/OrbeaBicycles](http://www.youtube.com/user/OrbeaBicycles)

### INSTAGRAM

[www.instagram.com/orbeabicycles](http://www.instagram.com/orbeabicycles)

### ORBEA CONTENT

Vea y descargue fotos, vídeos y documentos.

[content.orbea.com/us-en/](http://content.orbea.com/us-en/)

### BLOG ORBEA

[www.orbea.com/es-es/blog/](http://www.orbea.com/es-es/blog/)

### DISTRIBUIDORES ORBEA

Nuestros distribuidores poseen una elevada especialización, por lo que le ayudarán a configurar y mantener su bicicleta Orbea. Puede encontrar una relación completa de distribuidores Orbea en nuestro sitio web:

[www.orbea.com/us-en/dealers/?country=INT](http://www.orbea.com/us-en/dealers/?country=INT)

### CONTACTO

Accede a nuestros datos y formulario de contacto en:

[www.orbea.com/es-es/contacto](http://www.orbea.com/es-es/contacto)

USA:

[www.orbea.com/us-en/contact/](http://www.orbea.com/us-en/contact/)



# SOMMAIRE

<b>01 INTRODUCTION</b>	<b>172</b>
Signification des symboles	
<b>02 GARANTIE ORBEA</b>	<b>174</b>
Garantie légale	
Garantie à vie Orbea	
Garantie des composants du système d'assistance électrique	
Procédure de réclamation de garantie	
<b>03 ENTRETIEN</b>	<b>177</b>
Nettoyage régulier de votre vélo	
Lubrification de la transmission	
Inspection du vélo avant chaque sortie	
Calendrier de révision des composants	
Mises à jour du système d'assistance électrique	
Pièces de rechange	
Après une chute ou un impact	
<b>04 CONDITIONS D'UTILISATION. RISE</b>	<b>181</b>
Largeur maximale du pneu	
Insertion minimale de la tige de selle	
Longueur maximale de la fourche	
Nombre maximum d'entretoises de direction	
Entretoises au-dessus de la potence	
Type d'utilisation	
<b>05 CONDITIONS D'UTILISATION. SYSTÈME D'ASSISTANCE ÉLECTRIQUE</b>	<b>183</b>
Entretien et règles d'utilisation des composants électriques et des batteries	
Autonomie	
Transport de la batterie d'un vélo électrique	
Transport de vélos électriques	

## 06 UTILISATION DU RISE 186

- Mise en marche/arrêt
- Visualisation du niveau de charge de la batterie
- Charge des batteries
- Changement du mode d'assistance
- Erreurs du système

## 07 ORBEA RS TOOLBOX. VISUALISATION DES DONNÉES SUR LES APPAREILS GARMIN 192

- Installation et déverrouillage d'Orbea RS Toolbox sur les appareils Garmin
- Visualisation des données Orbea RS Toolbox sur votre appareil
- Utilisation d'Orbea RS Toolbox
- Enregistrement des données d'activités Rise avec Garmin Connect

## 08 ETUBE PROJECT. PERSONNALISATION DU SYSTÈME D'ASSISTANCE ÉLECTRIQUE 202

- Affichage des erreurs du système

## 09 GÉOMÉTRIE ET ERGONOMIE 204

- Hauteurs de selle maximale et minimale avec les tiges de selle télescopiques

## 10 CARACTÉRISTIQUES TECHNIQUES 208

- Caractéristiques techniques Rise
- Caractéristiques des composants du système électrique

## 11 MONTAGE ET PIÈCES DE RECHANGE 213

- Direction
  - Dimensions du tube de direction
  - Caractéristiques de la direction
  - Composants de direction et vue éclatée
- Axes et patte de dérailleur
- Point de pivot principal du bras oscillant
- Biellette
  - Vue éclatée de la biellette
  - Montage de la biellette
- Montage de l'amortisseur
- Pièces et protections de cadre
- Guide-chaîne
- Passage des câbles de dérailleur et de frein arrières
- Câblage des composants du système Shimano EP8

- Montage de la jonction Shimano EW-EN100 (sans affichage)
- Différences entre les montages avec jonction Shimano EW-EN100 et affichage Shimano SC-EM800
- Connexion du système ep8 à Etube Professional. Informations pour les distributeurs

### CÂBLAGE DES COMPOSANTS ORBEA RS

- Installation du moteur Shimano ep8 RS

### BATTERIE INTERNE ORBEA RS

- Installation de la batterie interne du cadre
- Retrait de la batterie interne RS. Informations pour les distributeurs

### Batterie externe Orbea RS Range Extender

### Installation du Range Extender

- Connexion du Range Extender au Rise
- Fonctionnement du Range Extender
- Affichage du niveau de charge
- Pièces de rechange Range Extender

## 12 INFORMATIONS UTILES SUR LES BATTERIES RS 240

## 13 SUSPENSIONS 161 245

- Réglage des fourches FOX
- Réglage de l'amortisseur FOX

## 14 DÉCLARATION DE CONFORMITÉ 250

## 15 INFORMATIONS SUPPLÉMENTAIRES 251

## 01 INTRODUCTION

Ce manuel technique contient des informations importantes concernant l'utilisation de votre vélo, son entretien et les pièces de rechange. Veuillez le lire attentivement.

Ce document est un complément au manuel d'utilisation général des vélos et composants Orbea, qui décrit plus en détail l'utilisation appropriée et le réglage correct des composants généraux des vélos pour une utilisation et un fonctionnement sûrs. Vous pouvez consulter et télécharger le manuel d'utilisation, ainsi que les autres manuels techniques des produits Orbea, sur notre site internet:

<https://www.orbea.com/fr-fr/support/manuals>

Vous pouvez consulter les informations utiles concernant l'utilisation, l'entretien et les caractéristiques des composants d'autres fabricants montés sur nos vélos (tels que les roues, les guidons, les systèmes d'assistance au pédalage, les fourches de suspension, etc.) sur le site internet du fabricant en question ou auprès de son distributeur dans votre pays.



## SIGNIFICATION DES SYMBOLES

Ce manuel technique contient différents symboles pour détailler les instructions et avertissements concernant l'utilisation, l'entretien et le montage. Veuillez prêter attention à ces symboles afin d'éviter les situations dangereuses et de garantir une utilisation et un montage corrects de tous les composants.

La signification de ces symboles est expliquée ci-dessous. Dans ce manuel, il se peut que le symbole ne soit accompagné uniquement des instructions relatives au composant concerné. Veuillez lire attentivement les définitions suivantes pour comprendre leur signification.

### CONSIGNES DE SÉCURITÉ

**DANGER** : Situation dangereuse qui, si elle n'est pas évitée, peut entraîner la mort ou des blessures graves.

**AVERTISSEMENT** : Situation potentiellement dangereuse qui, si elle n'est pas évitée, pourrait entraîner des blessures graves, voire la mort.

**PRUDENCE** : Situation dangereuse qui, si elle n'est pas évitée, pourrait provoquer des blessures légères ou modérées.

**ATTENTION** : Situation non liée à une blessure physique. Informations utiles.

**RISQUE DE DÉCHARGE ÉLECTRIQUE** : situation dangereuse qui, si elle n'est pas évitée, peut entraîner des blessures graves par électrocution, voire la mort.

**RISQUE DE COURT-CIRCUIT** : le non-respect des indications peut provoquer des courts-circuits dans les composants électriques. Ceci risque d'endommager les composants et provoquer un incendie.

*Les symboles DANGER et AVERTISSEMENT signalent une situation dangereuse qui, si elle n'est pas évitée, pourrait provoquer un accident. Un accident lié à la pratique du vélo peut toujours entraîner des blessures graves, voire mortelles. Puisque ce risque de mort est expliqué ici, il se peut qu'il ne soit pas toujours mentionné lorsque ces symboles apparaissent dans la suite de ce manuel.*

### OUTILS



CLÉ PLATE



CLÉ TORX



CLÉ ALLEN



TOURNEVIS  
TYPE PHILLIPS



Le numéro de clé à utiliser est  
indiqué à l'intérieur du sym-  
bole



10 N.m

**COUPLES DE SERRAGE**: Le couple de serrage applicable (en Newton-mètre) est indiqué sous le symbole de l'outil à utiliser pour le composant concerné.

### PRODUITS DE MONTAGE



**HUILE** : Lubrification légère d'éléments tels que les chaînes et les câbles.



**GRAISSE** : Graisse de montage de haute qualité pour éviter les grincements et les grippages.



**PÂTE DE CARBONE** : composé destiné à augmenter la friction entre les éléments en carbone.



**LOCTITE SÉRIE 600** : Fixation de surfaces cylindriques.



**LOCTITE SÉRIE 400**: Frein filet résistance moyenne.



**LOCTITE SÉRIE 400** : Adhésif instantané.

## 02 GARANTIE ORBEA

Nos efforts quotidiens pour proposer la plus haute qualité de vélos nous permettent d'offrir les conditions de garantie et de couverture suivantes :

### GARANTIE LÉGALE

Orbea offre au propriétaire d'origine d'un vélo Orbea, de la fourche rigide ou du composant d'origine, une garantie légale de 2 ans à compter de la date d'achat de l'article, ou de la période stipulée comme garantie légale dans le pays d'achat.

Cette garantie couvre tous les produits Orbea contre les défauts de fabrication et/ou les défauts de conformité, et garantit la réparation ou le remplacement du produit défectueux sans frais supplémentaires pour le client concerné. De même, cette garantie couvre également les défauts de peinture, de vernis et de corrosion sur tous les cadres et fourches rigides que nous montons sur nos vélos, et ce pendant la période spécifiée au paragraphe précédent de cette garantie.

Cette garantie ne couvre en aucun cas les dommages résultant d'une mauvaise utilisation, de chutes ou d'accidents ou d'un manque d'entretien, ainsi que l'usure normale des pièces consommables telles que, à titre informatif et non limitatif : joints, roulements, ruban de cintre, rayons, housses, selles, etc.

Pour accéder aux conditions complètes de couverture et de la garantie légale, veuillez consulter la page :

[www.orbea.com/fr-fr/garantie/](http://www.orbea.com/fr-fr/garantie/)

### GARANTIE À VIE ORBEA

En complément de la garantie légale, Orbea offre à l'acheteur original du vélo la garantie commerciale à vie Orbea, à condition d'avoir enregistré son produit sur le site Orbea dans les 30 jours suivant l'achat. Cette garantie à vie couvre les cadres et les fourches rigides montées sur nos vélos contre les défauts de fabrication et de conformité des matériaux, sans limite dans le temps.

Cette garantie prolonge la période initiale de couverture des défauts de peinture, de vernis et de corrosion sur les cadres et les fourches rigides d'un an supplémentaire à la fin de la période de garantie légale.

La garantie commerciale à vie Orbea ne couvre que les cadres et les fourches rigides. Les composants OC en sont exclus.

Pour accéder aux conditions complètes de la garantie à vie, veuillez consulter la page :

[www.orbea.com/fr-fr/garantia#garantia-deporvida-orbea](http://www.orbea.com/fr-fr/garantia#garantia-deporvida-orbea)

### ENREGISTREZ VOTRE VÉLO

Pour bénéficier de l'extension de garantie à vie Orbea, il est nécessaire d'enregistrer votre vélo dans les 30 jours suivant l'achat sur la page :

[www.orbea.com/fr-fr/acceso-registro?from=register-plate/](http://www.orbea.com/fr-fr/acceso-registro?from=register-plate/)

#### 01. CRÉEZ VOTRE COMPTE

#### 02. ENREGISTREZ VOTRE NUMÉRO DE CODE BARRE

#### 03. OÙ TROUVER LE NUMÉRO DE CODE BARRE



## GARANTIE DES COMPOSANTS DU SYSTÈME D'ASSISTANCE ÉLECTRIQUE

### COMPOSANTS SHIMANO STEPS

Les composants du système électrique Shimano STEPS (moteur, affichage, capteur de vitesse, bouton de changement de mode d'assistance, jonctions et câblage Di2) sont couverts par une garantie légale de 2 ans à compter de la date d'achat de l'article ou du vélo, ou de la période de garantie légale dans le pays d'achat.

### COMPOSANTS EXCLUSIFS ORBEA RS

Les composants exclusifs RS du système d'assistance électrique Orbea (batterie interne, Range Extender, harnais électrique et bouton de mise en marche du système) sont couverts par une garantie légale de 2 ans à compter de la date d'achat de l'article ou du vélo, ou de la période de garantie légale dans le pays d'achat.

Ces garanties couvrent tous les produits Shimano et Orbea contre les défauts de fabrication et/ou de conformité et garantissent la réparation ou le remplacement du produit défectueux sans frais supplémentaires pour le client concerné.

Cette garantie ne couvre en aucun cas les dommages résultant d'une mauvaise utilisation, de chutes ou d'accidents, d'une mauvaise installation, d'un manque d'entretien ou du non-respect des instructions d'utilisation, de stockage, de charge, etc. décrits dans ce manuel.

La perte de capacité des batteries RS (batterie interne et Range Extender) due au vieillissement naturel lors de l'utilisation, de la charge et du stockage, n'est pas couverte par les conditions de garantie.



## PROCÉDURE DE RÉCLAMATION DE GARANTIE

Toute réclamation de garantie doit être traitée par un revendeur Orbea agréé, qui effectuera le diagnostic initial et transmettra à Orbea, Shimano ou au fabricant du composant concerné toute la documentation nécessaire pour effectuer un diagnostic complet de la réclamation en question. Le revendeur informera le propriétaire de l'avancement du processus et de la décision prise par Orbea, Shimano ou le fabricant du composant concerné concernant la réclamation.

### RÉCLAMATIONS DE GARANTIE ET RÉPARATION DES COMPOSANTS DU SYSTÈME D'ASSISTANCE ÉLECTRIQUE

**SHIMANO** : Le traitement des réclamations de garantie ou la réparation des composants suivants du système électrique seront effectuées par Shimano :

Moteur Shimano EP8 RS.  
Affichage SC-EN800.  
Jonction EW-EN100.  
Capteur de vitesse.  
Câblage spécifique STEPS / Di2.  
Manette de changement du mode d'assistance SW-EM800L.

**ORBEA** : Le traitement des réclamations de garantie ou la réparation des composants suivants du système électrique seront effectuées par Orbea :

Batterie externe Range Extender.  
Batterie interne Orbea RS 360Wh  
Harnais électrique de connexion à la batterie interne, au moteur et au port de charge.  
Bouton de mise en marche du système d'assistance électrique.

Pour déposer une réclamation de garantie, nous vous recommandons de toujours vous rendre chez le revendeur où vous avez acheté votre vélo, ou le revendeur sélectionné lors de l'achat d'un vélo livré directement à domicile. Si vous ne pouvez pas vous rendre chez le revendeur d'origine, nous vous invitons à consulter la liste des revendeurs agréés sur notre site internet ou à contacter Orbea afin que nous puissions vous conseiller un revendeur.

[www.orbea.com/fr-fr/distribuidores/7country](http://www.orbea.com/fr-fr/distribuidores/7country)

[www.orbea.com/fr-fr/contacto/](http://www.orbea.com/fr-fr/contacto/)

## 03 ENTRETIEN

Les produits Orbea sont soigneusement conçus pour être durables, efficaces et faciles à entretenir. Les cadres et fourches en carbone et en aluminium sont extrêmement résistants à la corrosion.

Cependant, votre vélo et ses composants nécessitent un entretien périodique pour assurer leur bon fonctionnement, leur sécurité et leur longévité.

### NETTOYAGE RÉGULIER DE VOTRE VÉLO

Nettoyez régulièrement votre vélo au savon doux et à l'eau pour qu'il fonctionne comme au premier jour, mais aussi pour pouvoir vérifier l'état du cadre et de ses composants. Évitez d'utiliser de l'eau sous pression car ceci pourrait endommager des composants tels que les roulements ou tubes du cadre.

Les dégraissants à base d'agrumes sont biodégradables et très efficaces pour éliminer la graisse des composants de la transmission et de la chaîne.



La saleté accumulée peut compliquer l'inspection visuelle des composants et masquer des dommages qui pourraient potentiellement provoquer des défaillances ou des accidents.

### ATTENTION

La saleté accumulée provoque une usure prématurée des composants et peut même endommager le cadre du vélo dans des zones telles que les logements de roulements et les pièces mobiles. Les dommages dus au manque de nettoyage et d'entretien ne sont pas couverts par la garantie.

### LUBRIFICATION DE LA TRANSMISSION

Une fois votre vélo nettoyé, prenez soin de lubrifier la transmission, en particulier la chaîne. Appliquez la quantité minimale nécessaire à la lubrification des maillons, en nettoyant tout excès pour empêcher les dépôts de saleté, qui pourraient résulter en un dysfonctionnement de la transmission et une usure prématurée des composants.



Évitez l'utilisation de lubrifiants en aérosol afin qu'ils ne se déposent pas sur les surfaces de freinage. Vérifiez toujours le fonctionnement des freins après avoir lubrifié la transmission.

### INSPECTION DU VÉLO AVANT CHAQUE SORTIE

Procédez à une inspection rapide avant chaque sortie pour vous assurer que votre vélo est en parfait état de fonctionnement. Ceci vous permet de détecter de petits problèmes avant qu'il ne se transforment en incidents majeurs pendant votre sortie.

**CADRE**: Inspectez le cadre et la fourche afin de détecter des fissures ou autres dommages. Aucun bruit étrange ne doit être présent. En cas d'endommagement du cadre, évitez d'utiliser le vélo et contactez votre revendeur agréé pour une révision.

**CHAÎNE**: Celle-ci doit être propre et lubrifiée. Vérifiez qu'il n'y ait aucun bruit inhabituel au niveau de la transmission.

**FREINS**: Vérifiez que les freins fonctionnent correctement et en toute sécurité. Vérifiez les couples de serrage des composants.

**PNEUS**: Vérifiez l'usure des pneus et repérez les éventuelles entailles sur la bande de roulement ou les flancs. En cas de dommages, remplacez le pneu. Assurez-vous que la pression des pneus soit correcte.

**ROUES**: Vérifiez que les roues tournent de façon fluide et qu'elles ne présentent pas de déformations latérales. Tirez légèrement la roue d'un côté à l'autre pour vérifier qu'il n'y ait pas de jeu latéral au niveau des roulements. Assurez-vous qu'il n'y ait pas de rayons cassés ou détendus. Vérifiez que les axes ou les serrages rapides soient bien serrés et au couple correct.

**DIRECTION** Serrez le frein avant et déplacez l'avant du vélo d'avant en arrière, en appliquant une pression sur le guidon et en maintenant la roue avant au sol. Soyez attentif à des bruits inhabituels ou au jeu dans la direction, qui pourraient indiquer que les roulements sont usés ou

que la direction n'est pas correctement serrée. Une fois la direction correctement réglée, vérifiez qu'elle tourne de manière fluide.

**POINTS DE PIVOT DU BRAS OSCILLANT :** Sur les vélos tout suspendus, vérifiez que tous les points de pivot du bras oscillant fonctionnent de manière fluide et qu'il n'y a pas de jeu dans les roulements. Tirez le bras oscillant d'avant en arrière sur le vélo et soyez attentif aux bruits inhabituel ou au jeu aux points de pivot. Si le bras oscillant ne fonctionne pas correctement ou présente du jeu, cela peut indiquer que les couples de serrage ne sont pas corrects ou que les roulements sont usés ou endommagés.

**ROULEMENTS:** Les roulements (pédalier, points de pivot du bras oscillant, direction, roues, etc.) sont des pièces d'usure qui doivent être régulièrement vérifiées pour garantir leur bon fonctionnement. Des roulements en mauvais état peuvent endommager les composants dans lesquels ils sont installés. Des conditions météorologiques défavorables accélèrent l'usure des roulements. Les roulements qui présentent du jeu ou qui ne tournent pas correctement doivent être remplacés immédiatement. En cas de doute, nous vous invitons à consulter votre revendeur agréé.

**ATTENTION** Les dommages aux composants tels que le cadre, les roues, etc. qui résultent d'un manque d'entretien et au remplacement des roulements ne sont pas couverts par les conditions de garantie.

**SYSTÈME ÉLECTRIQUE:** Mettez le vélo en marche et vérifiez que le système électrique fonctionne correctement. Assurez-vous que l'assistance électrique est disponible et que tous les composants fonctionnent correctement.

Si l'assistance électrique ne s'enclenche pas, vérifiez toutes les connexions entre les composants ainsi que l'état des composants et des câbles (les câbles ou composants présentant des dommages doivent être remplacés).

Vérifiez s'il y a des erreurs dans le système électrique. Le cas échéant, l'écran SC-EN800 affichera le code d'erreur. Si une erreur est présente dans le système, deux LED clignoteront simultanément sur la jonction EW-EN100. Connectez le vélo à l'application Shimano Etube pour déterminer le code d'erreur.

Une fois que vous disposez du code d'erreur, veuillez suivre les instructions de l'application ou consultez le manuel d'utilisation du système Shimano STEPS. Si l'erreur persiste après avoir suivi les instructions ou si une solution ne peut pas être mise en œuvre par l'utilisateur, confiez votre vélo à un revendeur agréé pour un diagnostic complet et une remise en état.

**ATTENTION** Le non-respect des instructions décrites aux points ci-dessus et l'utilisation d'un vélo présentant des défauts décrits, peuvent entraîner des accidents et des blessures graves.

**ATTENTION** **COUPLES DE SERRAGE:** Vérifiez toujours les couples de serrage et installez les composants décrits dans ce manuel conformément aux couples de serrage prescrits. Suivez les instructions de serrage des composants d'autres fabricants installés sur votre vélo Orbea. Le non-respect de ces instructions peut entraîner une défaillance des composants, des accidents et même la mort.

## CALENDRIER D'ENTRETIEN DES COMPOSANTS

**ATTENTION** Le calendrier d'entretien des composants indiqués ci-dessous sont des directives générales et dépendent en grande partie de facteurs tels que les conditions météorologiques dans lesquelles votre vélo est utilisé (de mauvaises conditions climatiques réduisent considérablement la durée de vie des composants et augmentent la fréquence d'entretien), la propreté de votre vélo et de ses composants (les composants présentant des accumulations de saleté s'usent plus rapidement) et l'utilisation (une utilisation plus intensive du vélo nécessitera un entretien plus fréquent).

Pour les composants d'autres marques montés sur les vélos Orbea, veuillez vous référer aux périodes d'entretien recommandées ou obligatoires sur le site internet du fabricant ou contactez directement le distributeur de la marque dans votre pays.

**ATTENTION** Les dommages aux composants résultant du non-respect des indications d'entretien pourraient entraîner des dommages qui ne sont pas couverts par les conditions de garantie Orbea ou du fabricant des composants.

**ATTENTION** Le non-respect des indications d'entretien peut entraîner des dommages aux composants susceptibles de provoquer des défaillances ou des accidents.

### DIRECTION

- Contrôle du fonctionnement avant chaque utilisation.
- Démontage et contrôle manuel des roulements tous les 6 mois.

### BOÎTIER DE PÉDALIER :

- Contrôle du fonctionnement avant chaque utilisation.
- Démontage et contrôle manuel des roulements tous les 6 mois.

### TRANSMISSION :

- Contrôle du fonctionnement avant chaque utilisation.
- Contrôle régulier de l'usure de la chaîne tous les 500 km. Une chaîne usée au-delà des recommandations du fabricant doit être remplacée pour éviter d'endommager les autres composants de la transmission. Le non-respect des indications d'usure du fabricant peut nécessiter le remplacement des autres composants de la transmission.

### ROUES:

- Contrôle du fonctionnement avant chaque utilisation.
- Démontage et révision manuelle des roulements et de tous les composants tous les 6 mois.

### AMORTISSEURS ET FOURCHES SUSPENDUES :

- Contrôle du fonctionnement avant chaque utilisation.
- Inspection et entretien complets toutes les 125 heures ou une fois par an (selon la première éventualité) par un revendeur agréé du fabricant concerné.

### TIGES DE SELLE TÉLESCOPIQUES :

- Contrôle du fonctionnement avant chaque utilisation.
- Inspection et entretien complets toutes les 125 heures ou une fois par an (selon la première éventualité) par un revendeur agréé du fabricant concerné.

### POINTS DE PIVOT SUR LES CADRES TOUT SUSPENDUS :

- Contrôle du fonctionnement avant chaque utilisation.
- Démontage du cadre et inspection manuelle de tous les roulements toutes les 125 heures d'utilisation ou une fois par an (selon la première éventualité). Ces délais peuvent être raccourcis en fonction des conditions d'utilisation du vélo. Une utilisation plus intensive ou dans des conditions météorologiques défavorables ou dans la boue nécessite le démontage et l'inspection du cadre toutes les 75 heures d'utilisation ou tous les 6 mois (selon la première éventualité). Un roulement qui ne tourne pas de manière fluide ou qui présente du jeu doit être remplacé immédiatement.

### CÂBLES ET GAINES :

- Contrôle du fonctionnement avant chaque utilisation.
- Remplacement des câbles de changement de vitesse tous les 6 mois à un an, selon les conditions d'utilisation du vélo.

### FREINS:

- Contrôle du fonctionnement et de l'usure des plaquettes ou des patins de frein avant chaque utilisation.
- Contrôle de l'usure des disques de frein et des câbles ou durites tous les 6 mois à un an, selon les conditions d'utilisation du vélo. Purge des durites chaque année.

### COMPOSANTS DU SYSTÈME D'ASSISTANCE ÉLECTRIQUE :

Contrôle régulier des connexions et des câbles des composants du système d'assistance électrique. Les connexions doivent être propres et libres de corps étrangers. Les câbles doivent être en bon état et ne pas présenter d'entailles ou de plis qui pourraient provoquer des courts-circuits et une coupure de l'assistance électrique.

L'extérieur de composants tels que les manettes et les batteries ne doit pas présenter de dommages qui pourraient permettre la pénétration d'eau ou d'autres éléments.

Si les composants électriques sont endommagés, veuillez contacter votre revendeur Orbea pour un diagnostic et / ou un remplacement.

**ATTENTION** Pour des indications concernant l'entretien correct de ces composants, veuillez consulter la section sur les conditions d'utilisation du système d'assistance électrique.

#### MISES À JOUR DU SYSTÈME ÉLECTRIQUE :

Les systèmes d'assistance électrique des e-bikes peuvent faire l'objet de mises à jour pour améliorer leur fonctionnement.

Certaines mises à jour du système Shimano STEPS sont effectuées via Bluetooth® en connectant votre vélo à l'application pour smartphone Etube Project.

Vous trouverez ici le manuel d'utilisation de l'application Shimano Etube Project :

[si.shimano.com/#/FR/IUM/7J4MA/](https://si.shimano.com/#/FR/IUM/7J4MA/)

Les autres mises à jour doivent être effectuées par un revendeur agréé. Rappelez à votre revendeur de vérifier les mises à jour disponibles pour votre vélo lorsque vous le lui apportez pour un entretien ou des réparations.

**⚠** Certains de ces contrôles et opérations d'entretien dépassent les connaissances mécaniques de la plupart des utilisateurs. Si vous n'êtes pas en mesure d'effectuer l'opération nécessaire, adressez-vous toujours à un revendeur Orbea pour l'entretien de votre vélo et de ses composants. Un entretien insuffisant ou incorrect peut entraîner des dysfonctionnements et des accidents aux conséquences graves.

**ATTENTION** Un entretien effectué de manière incorrecte peut endommager les composants, qui ne seront dès lors pas couverts par les conditions de garantie.

## PIÈCES DE RECHANGE

Utilisez toujours des pièces de rechange d'origine Orbea, Shimano ou provenant du fabricant du composant concerné.

**⚠** L'utilisation de pièces de rechange autres que celles d'origine peut causer des dommages entraînant des défaillances ou des accidents graves.

**⚠** Le montage de certaines pièces décrites dans ce manuel dépasse les connaissances mécaniques de la plupart des utilisateurs. Si vous n'êtes pas en mesure d'installer ces pièces de rechange, adressez-vous toujours à un revendeur Orbea pour l'entretien de votre vélo et de ses composants. Le montage incorrect des pièces de rechange peut entraîner des défaillances, accidents et blessures graves.

**ATTENTION** L'installation de pièces de rechange autres que celles d'origine peut causer des dommages à votre vélo, qui ne sont dès lors pas couverts par les conditions de garantie.

## APRÈS UNE CHUTE OU UN IMPACT

Chuter de son vélo fait partie intégrante de la pratique du cyclisme. Si vous avez un accident avec votre vélo Orbea, assurez-vous que vous allez bien et consultez un médecin si nécessaire. Si vous n'êtes pas blessé, vérifiez l'état de votre vélo avant de poursuivre votre route.

### INSPECTEZ LE CADRE ET LES COMPOSANTS DU VÉLO POUR DÉTECTER D'ÉVENTUELS DOMMAGES

Si vous constatez quoi que ce soit comme problème, ne continuez pas d'utiliser le vélo.

#### ÉLÉMENTS À VÉRIFIER

Inspectez le cadre et la fourche pour détecter d'éventuels éléments cassés ou déformations.

Si vous constatez des dommages, arrêtez immédiatement d'utiliser le vélo. Sur les cadres en carbone, recherchez des fissures ou des zones molles au niveau de la fibre de carbone. Si vous en constatez, arrêtez immédiatement d'utiliser le vélo.

**⚠** Les matériaux utilisés dans les cadres et fourches en carbone sont rigides et résistants, cependant en cas de surcharge ou d'impact, les fibres de carbone ne se plient pas, mais se brisent. Un impact suffisamment fort sur ce matériau pourrait causer des dommages qui, bien que non visibles à première vue, peuvent entraîner une défaillance du matériau à l'avenir. En cas de doute sur les conséquences d'une chute ou d'un accident, contactez votre revendeur Orbea pour une vérification complète.

Vérifiez la transmission et les roues pour vous assurer que les composants fonctionnent correctement. Si vous remarquez des dommages sur les composants, arrêtez immédiatement d'utiliser le vélo.

Même si vous ne constatez aucun dommage, soyez très attentif aux bruits que fait votre vélo lorsque vous remontez dessus. Les dégâts et autres problèmes peuvent provoquer des bruits inhabituels. Si vous en remarquez, arrêtez immédiatement d'utiliser le vélo et contactez votre revendeur Orbea pour un diagnostic précis.

### APPORTEZ VOTRE VÉLO ORBEA CHEZ UN REVENDEUR AGRÉÉ POUR UNE RÉVISION PROFESSIONNELLE

Certaines conséquences d'une chute ou d'un accident ne peuvent être détectées qu'en démontant complètement le vélo pour vérifier la présence de dommages ou d'autres signes de détérioration.

**⚠** Une collision ou un impact peut causer de graves dommages à votre vélo et à ses composants, entraînant leur dysfonctionnement ou une usure prématurée. Les défaillances peuvent survenir soudainement et sans préavis, entraînant une perte de contrôle du vélo et des blessures graves, voire la mort.

# 04 MISES EN GARDE ET CONDITIONS D'UTILISATION. - RISE

## LARGEUR MAXIMALE DU PNEU

Ce manuel technique précise la taille maximale de pneu qu'il est possible de monter sur le cadre. Respectez toujours ces indications lors de l'installation d'un pneu sur votre vélo.

Cependant, les mesures réelles de circonférence et de largeur d'un pneu peuvent varier d'un fabricant à l'autre. Lors de l'installation d'un pneu différent de celui monté à l'origine sur votre vélo Orbea, vérifiez qu'il y a toujours au moins 6 mm entre toute partie du cadre et la partie supérieure ou les flancs du pneu.

**ATTENTION** Les dommages au cadre ou aux composants dus à l'utilisation d'un pneu ne respectant pas ces indications, ne sont pas couverts par les conditions de garantie.

## INSERTION MINIMALE DE LA TIGE DE SELLE

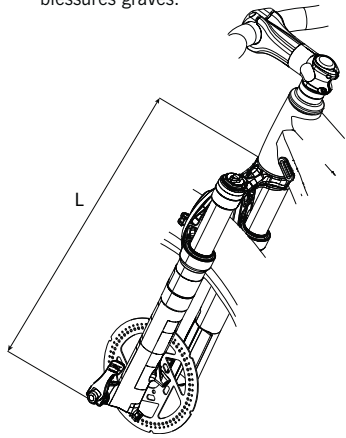
**⚠** Respectez toujours les indications d'insertion minimale de la tige de selle, ou du cadre sur les vélos de route dotés de tiges de selle exclusives Orbea. Le non-respect de ces indications peut entraîner des contraintes dans les matériaux au-delà des conditions pour lesquelles ils ont été conçus et provoquer des dégâts non couverts par les conditions de garantie, ainsi que des accidents pouvant entraîner des blessures graves.

## LONGUEUR MAXIMALE DE LA FOURCHE (AXE-COURONNE)

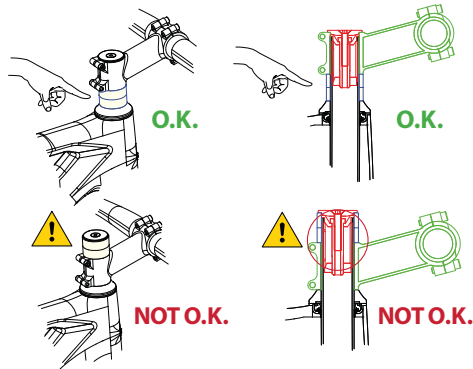
Respectez toujours la longueur de fourche maximale indiquée dans la section de ce manuel consacrée aux caractéristiques techniques. La longueur maximale de la fourche fait référence à la distance entre l'axe de la fourche et le bas du tube de direction (axe-couronne).



Le non-respect de cette indication et l'installation de fourches d'une longueur supérieure à la longueur maximale spécifiée, peuvent contraindre le cadre au-delà des conditions pour lesquelles il a été conçu. Ceci pourrait entraîner des défaillances matérielles susceptibles de provoquer des accidents et de blessures graves.



### POSITION DE L'ÉTOILE DE DIRECTION À L'INTÉRIEUR DU PIVOT DE DIRECTION. ENTRETOISES AU-DESSUS DE LA POTENCE.



Ne montez jamais d'entretoises au-dessus de la potence. L'installation d'entretoises au-dessus de la potence, en particulier sur les fourches avec pivot de direction en carbone, peut amener l'expandeur à l'intérieur dans une position au-dessus de la limite inférieure du pivot.



Ceci peut contraindre les matériaux au-delà des conditions pour lesquelles ils ont été conçus, et potentiellement provoquer des accidents et des blessures graves. La longueur du pivot de direction doit toujours être adaptée à la position de la potence sur celui-ci. La potence doit toujours être installée sur le pivot de sorte que les deux boulons de serrage à l'arrière de la potence soient positionnés au niveau du pivot. Ne montez jamais la potence de manière à ce que le boulon de serrage supérieur soit plus haut que le bord supérieur du pivot. Ceci contraindra les matériaux au-delà des conditions pour lesquelles ils ont été conçus, provoquant potentiellement des accidents et des blessures graves.

### NOMBRE MAXIMUM D'ENTRETOISES DE DIRECTION



N'installez jamais plus d'entretoises en-dessous de la potence que le nombre indiqué pour le cadre. Consultez les tableaux de caractéristiques techniques, qui vous indiquent le nombre maximum d'entretoises pouvant être installées sur un cadre Orbea. Le montage de plus d'entretoises que ce qui est indiqué peut entraîner des contraintes sur les matériaux au-delà des conditions pour lesquelles ils ont été conçus, et provoquer des accidents et des blessures graves.

### TYPE D'UTILISATION

L'utilisation prévue de tous les modèles est la condition ASTM 4, qui comprend les conditions 1, 2 et 3 ainsi que les sentiers naturels techniques comportant de nombreux obstacles, un dénivelé négatif plus important et, par conséquent, des vitesses plus élevées. Les sauts et les drops sont fréquents et modérés.

Ces modèles, compte tenu du terrain sur lequel ils sont utilisés, doivent être inspectés après chaque utilisation. L'utilisation sur ce type de terrain nécessite des aptitudes techniques spécifiques et peut entraîner des blessures chez les cyclistes novices.

Pour plus d'informations sur les catégories ASTM, veuillez consulter le guide de l'utilisateur.



## 05 MISES EN GARDE ET CONDITIONS D'UTILISATION - SYSTÈME D'ASSISTANCE ÉLECTRIQUE

### ENTRETIEN ET RÈGLES D'UTILISATION DES COMPOSANTS ÉLECTRIQUES ET DES BATTERIES

- Ne lavez pas votre vélo avec de l'eau à haute pression et n'immergez pas le vélo ou les composants électriques. Tous les composants électriques sont protégés contre les éclaboussures et la pluie. Cependant, l'utilisation d'eau sous pression peut endommager les composants et provoquer des courts-circuits.

- Évitez d'utiliser votre vélo dans de très mauvaises conditions météorologiques. Tous les composants électriques sont protégés contre les éclaboussures et la pluie. Cependant, des conditions météorologiques extrêmes peuvent endommager les composants.

- Évitez de transporter votre vélo à l'extérieur de votre véhicule sous la pluie. Tous les composants électriques sont protégés contre les éclaboussures et la pluie. Cependant, la vitesse du véhicule en mouvement peut augmenter les effets néfastes de la pluie sur les composants électriques.

Si vous transportez le vélo à l'extérieur de votre véhicule, retirez le Range Extender du vélo et vérifiez que le capot du port de charge soit correctement fermé.

- Ne laissez pas votre vélo ou votre batterie exposés à des températures élevées pendant de longues périodes. Celles-ci pourraient endommager les composants électriques. Des températures supérieures à 70 °C peuvent provoquer des fuites et augmenter le risque d'incendie.

- Respectez les plages de température d'utilisation (décharge), de charge et de stockage du vélo (batterie interne) ainsi que du Range Extender. L'utilisation, la charge ou le stockage des batteries hors de ces plages de températures peuvent affecter les cellules et réduire leur durée de vie et leur autonomie.

Le tableau suivant indique les plages de température

maximales d'utilisation, de charge et de stockage spécifiées par le fabricant des cellules. En règle générale, l'utilisation, la charge et le stockage des batteries à une température inférieure à 0°C réduisent leur autonomie par charge. Le faire de manière régulière peut affecter la durée de vie utile de la batterie.

#### PLAGES DE TEMPÉRATURE

Charge	0°C > 40°C
Décharge (utilisation)	10°C > 50°C
Stockage	0°C > 35°C

· Évitez de stocker votre vélo (batterie interne) ou votre Range Extender pendant de longues périodes sans contrôler les niveaux de charge. Si vous ne comptez pas utiliser la batterie pendant une longue période, chargez-la à environ 70% avant de la ranger et vérifiez le niveau de charge tous les 3 mois. Pour éviter d'endommager les cellules, ne laissez jamais le niveau de charge descendre en dessous de 10%.

**UTILISATION DE LA BATTERIE EN DESSOUS DE 10% DE CHARGE:** Évitez de décharger la batterie par une utilisation continue en dessous de 10% de charge. Des niveaux de charge inférieurs à 10% peuvent affecter la durée de vie de la cellule et l'équilibre de la batterie.

· Évitez de laisser le chargeur connecté à la batterie pendant plus de 5 heures d'affilée, et chargez toujours la batterie sous surveillance afin de pouvoir déconnecter le chargeur si vous détectez une anomalie telle que de la fumée, une odeur de brûlé ou un incendie.

· Évitez de heurter ou de faire chuter la batterie interne et le Range Extender.

Si, après une chute ou un impact, le boîtier externe de la batterie présente des dommages, ne chargez pas ou n'utilisez pas la batterie et contactez un revendeur agréé pour une vérification complète.

· Raccordez toujours les câbles en suivant l'orientation indiquée sur les connecteurs. Brancher les câbles sans respecter l'orientation correcte peut endommager les bornes.

· Avant chaque utilisation, vérifiez que le capot du port de charge est correctement placé pour empêcher les saletés et l'eau de pénétrer dans le port de charge.

· N'utilisez pas d'outils métalliques pour nettoyer le port de charge ou en retirer des saletés ou corps étrangers.

Veillez à ne pas endommager les bornes du point de charge lors du nettoyage.

**ATTENTION** Veuillez vous référer à la section Informations utiles concernant les batteries RS pour plus d'indications sur l'utilisation, l'entretien et les procédures de dépannage de la batterie interne et du Range Extender.

Vous pouvez consulter la documentation Shimano sur le système STEPS EP8 et ses composants :

#### Guide de l'utilisateur

<https://si.shimano.com/api/publish/storage/pdf/es/um/7HC0A/UM-7HC0A-000-SPA.pdf>

#### Manuel du distributeur :

<https://si.shimano.com/api/publish/storage/pdf/es/dm/EP800/DM-EP800-01-SPA.pdf>

N'oubliez pas que la batterie interne Orbea RS et la batterie externe Range Extender sont exclusives à Orbea. Consultez les instructions d'utilisation figurant dans ce manuel.

## AUTONOMIE

Le moteur Shimano EP8 RS, ainsi que les batteries Orbea RS, ont été conçus pour fournir l'autonomie maximale possible pour un système avec un poids et des dimensions aussi réduites.

Le système propose des autonomies allant jusqu'à 4,5 heures avec la batterie interne (360 Wh) et jusqu'à 8 heures en connectant le Range Extender (252 Wh). Ces deux estimations sont basées sur le mode d'assistance ECO.

L'autonomie par charge dépendra en grande partie de facteurs tels que :

· **MODE D'ASSISTANCE :** L'utilisation de niveaux d'assistance plus puissants réduira l'autonomie disponible.

· **LE PROFIL D'ASSISTANCE :** Le profil d'assistance sélectionné via l'application Shimano Etube Project impactera l'autonomie disponible. La sélection du profil d'assistance 2 augmente la puissance de chaque mode d'assistance, ce qui peut affecter l'autonomie.

· **LA PERSONNALISATION DES MODES D'ASSISTANCE :** Les valeurs d'autonomie approximatives tiennent compte des valeurs de puissance de chaque mode d'assistance selon les paramètres d'origine Orbea. La personnalisation de la puissance de chaque mode via l'application Shimano Etube Project affectera l'autonomie finale des batteries.

· **LA TEMPÉRATURE :** La charge et l'utilisation de la batterie à basses températures diminuent l'autonomie disponible.

· Le poids du cycliste et ses équipements / bagages.

· La puissance de pédalage du cycliste.

· **LE TERRAIN ET LA PENTE :** L'utilisation sur terrain accidenté et en côte affectera l'autonomie disponible.

· Des arrêts et des démarrages fréquents peuvent affecter l'autonomie disponible.

#### TABLEAU D'AUTONOMIE APPROXIMATIVE:

MODE D'ASSISTANCE	BATTERIE INTERNE. 360 Wh			AVEC RANGE EXTENDER. 612 Wh (360+252 Wh)	
	ECO	TRAIL	BOOST.	ECO	
DURÉE APPROXIMATIVE D'AUTONOMIE (heures)	4.5	3	2	8	
DÉNIVELÉ APPROXIMATIF (mètres)	2 500	1 700	1 200	4 000	

## TRANSPORT DES BATTERIES DES VÉLOS ÉLECTRIQUES

Le transport des batteries interne Orbea RS et externe Range Extender doit être effectué conformément aux réglementations en vigueur pour ce type d'article. Les unités doivent toujours être transportées ou expédiées dans leur emballage d'origine approuvé et par un transporteur agréé. Renseignez-vous sur les conditions de manipulation et de transport de ce type d'article dans votre pays.

Si le Range Extender ou la batterie interne doit être envoyé à Orbea ou Shimano pour réparation ou révision, ceci doit être effectué dans l'emballage d'origine approuvé, et par un transporteur de batterie agréé. Orbea vous fournira toutes les informations nécessaires à cet égard.

## TRANSPORT DE VÉLOS ÉLECTRIQUES

Si vous prévoyez de voyager avec votre vélo électrique, renseignez-vous sur les conditions de transport des batteries de la compagnie aérienne que vous comptez utiliser pour transporter votre vélo. La plupart des compagnies aériennes commerciales n'autorisent pas le transport de batteries d'une capacité supérieure à 100 Wh.

## 06 UTILISATION DU RISE

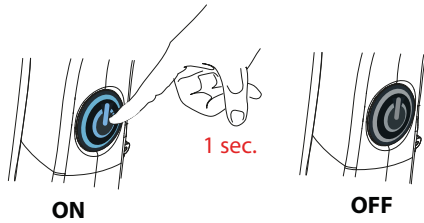
Cette section décrit le fonctionnement de base du système Shimano STEPS EP8 pour le vélo Rise, et les caractéristiques uniques du système Orbea EP8 RS.

Vous pouvez également consulter le manuel d'utilisation du système Shimano EP8 ici :

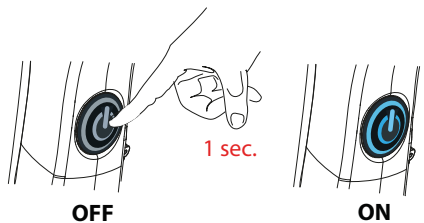
<https://si.shimano.com/api/publish/storage/pdf/es/um/7HCOA/UM-7HCOA-000-SPA.pdf>

### MISE EN MARCHÉ / ARRÊT

Pour allumer le Rise, appuyez pendant 1 seconde sur le bouton situé sous le tube de selle.



Pour éteindre le Rise, appuyez pendant 1 seconde sur le bouton situé sous le tube de selle.

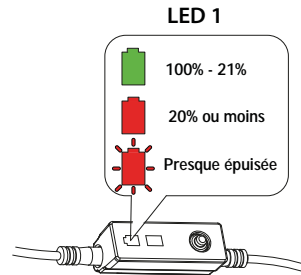


### AFFICHAGE DU NIVEAU DE CHARGE DE LA BATTERIE

Le niveau de charge de votre Rise peut être affiché de différentes manières, selon l'option choisie.

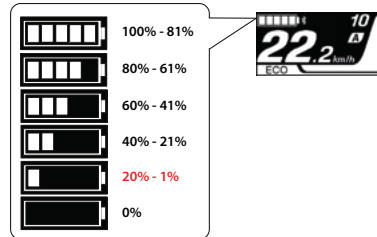
### NIVEAU DE CHARGE DE LA BATTERIE INTERNE ET DU RANGE EXTENDER

Lorsqu'un Range Extender est connecté au vélo, le système calcule la capacité totale des deux batteries (batterie interne et Range Extender). Le niveau de charge restant indiqué comme ci-dessous correspond à la combinaison des deux batteries, en tenant compte de la capacité totale du système.



· **AVEC JONCTION SHIMANO EW-EN100** : Si le vélo est en marche, la jonction Shimano EW-EN100 affichera le niveau de charge de la (des) batterie(s) via la LED1. La LED1 est verte jusqu'à ce que la charge de la batterie soit inférieure à 21%, après quoi elle passe au rouge. Lorsque la batterie est presque épuisée, la LED1 clignote en rouge.

Évitez de décharger la batterie de manière répétée en dessous de 10% de sa charge. Des niveaux répétés inférieurs à 10% peuvent affecter la durée de vie utile des cellules.

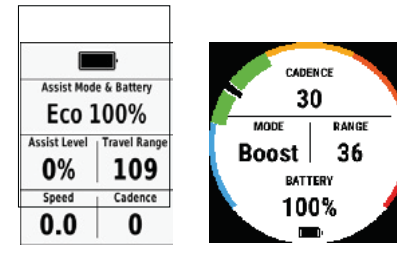


· **AVEC ÉCRAN SHIMANO SC-EM800** : Dans les montages équipés de l'écran Shimano SC-EM800, le niveau de charge de la (des) batterie(s) est affiché à l'écran.

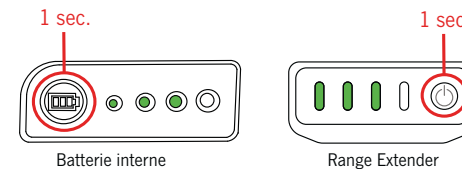
· **APPAREILS GARMIN COMPATIBLES. ORBEA RS TOOLBOX** : L'application Orbea RS Toolbox permet d'afficher les données Rise pertinentes sur votre appareil Garmin compatible, y compris le pourcentage du niveau de charge de la (des) batterie(s).

**ATTENTION** Si lorsque vous roulez, le niveau de charge restant de la batterie n'est pas visible dans l'application Orbea RS Toolbox, les données s'afficheront à nouveau lorsque le niveau de charge restant baisse de 1%. À ce moment-là, le système EP8 communiquera via ANT Private le niveau de charge de la batterie à l'appareil Garmin. Le niveau de charge sera à nouveau affiché sur l'appareil.

Vous trouverez les informations concernant le téléchargement et l'installation de l'application Orbea RS Toolbox sur votre appareil Garmin dans la section dédiée de ce manuel.



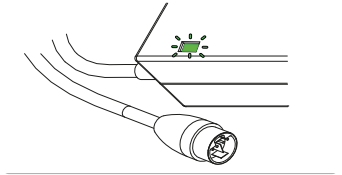
· **BATTERIES ORBEA RS** : Appuyez pendant 1 seconde sur le bouton principal des batteries Orbea RS (batterie interne et Range Extender) pour connaître leur niveau de charge. Les LED s'allumeront pour indiquer le niveau de charge par incréments de 25%.



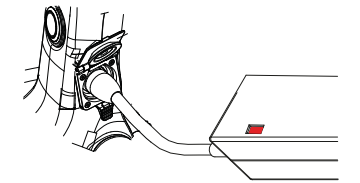
### CHARGE DES BATTERIES

**ATTENTION** Avant d'utiliser le vélo pour la première fois, chargez complètement la batterie interne ou le Range Extender.

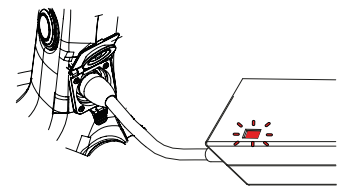
· **BATTERIE INTERNE ORBEA RS** : Pour charger la batterie interne du Rise, branchez le chargeur RS sur la prise secteur. Lorsque le chargeur n'est pas connecté à la batterie, la LED du chargeur clignote en vert.



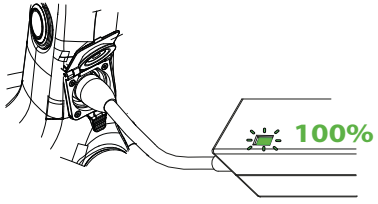
Ouvrez le capot du port de charge du Rise et connectez le chargeur. La LED du chargeur s'allumera en rouge pendant la charge de la batterie.



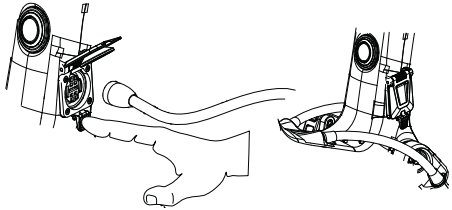
**ATTENTION** Si la LED du chargeur clignote en rouge lorsque vous connectez le chargeur au vélo ou au Range Extender, cela indique une anomalie de charge. Déconnectez immédiatement le chargeur et prenez contact avec un revendeur agréé.



Lorsque la batterie est complètement chargée, la LED du chargeur clignotera à nouveau en vert pour vous indiquer que la charge est terminée.



Débranchez le chargeur du port de charge en appuyant sur la languette inférieure du port de charge, et en tirant avec précaution sur le câble du chargeur. Assurez-vous que le capot du port de charge est bien refermé.



Le vélo Rise ne peut pas être mis en marche tant que le chargeur est connecté au port de charge. Pour connaître le pourcentage exact de charge restante, déconnectez le chargeur du port de charge, allumez le vélo et connectez-le à l'application pour Garmin Orbea RS Toolbox (référez-vous à la section concernant l'installation et l'utilisation de Orbea RS Toolbox de ce manuel).

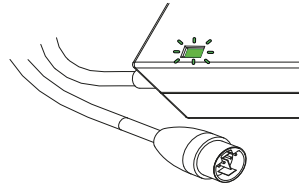
Sur les montages équipés de l'écran Shimano SC-EM800, débranchez le chargeur et allumez le vélo pour voir le niveau de la batterie sur l'écran.

Évitez de décharger votre batterie régulièrement en dessous de 10 %.

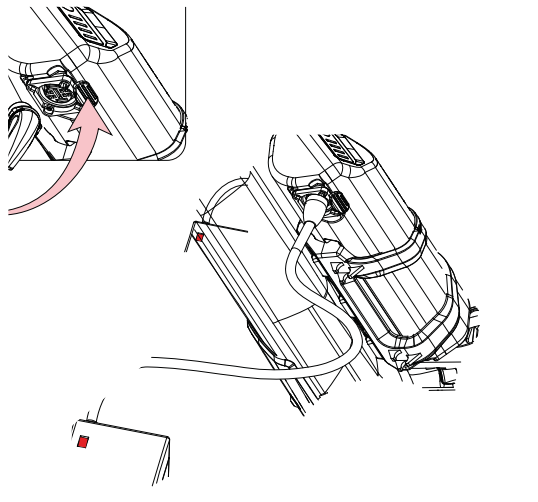
Évitez de laisser le chargeur connecté à la batterie pendant plus de 5 heures d'affilée, et chargez toujours la batterie sous surveillance afin de pouvoir déconnecter le chargeur si vous détectez une anomalie telle que de la fumée, une odeur de brûlé ou un incendie.

Les batteries lithium-ion sont sensibles à la température pendant le processus de charge. Respectez toujours les plages de température de charge, d'utilisation et de stockage décrites dans ce manuel.

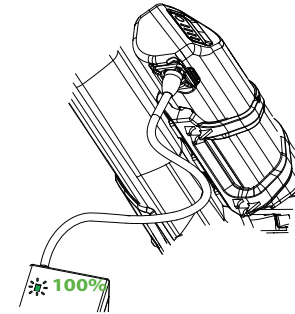
**BATTERIE EXTERNE RANGE EXTENDER.** Pour recharger la batterie externe Range Extender, connectez le chargeur à une prise secteur. Lorsque le chargeur n'est pas connecté à la batterie, la LED du chargeur clignote en vert.



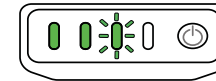
Déconnectez le câble qui relie le Range Extender au port de charge du vélo en appuyant sur la languette du port de charge du Range Extender, et connectez le chargeur. La LED du chargeur s'allumera en rouge pendant la charge de la batterie.



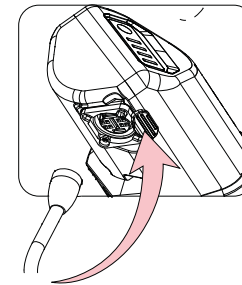
Lorsque la batterie est complètement chargée, la LED du chargeur clignotera à nouveau en vert pour vous indiquer que la charge est terminée.



Pendant que le Range Extender se charge, les LED indiquent le niveau de charge actuel de la batterie.



Lorsque la batterie est complètement chargée, déconnecter le chargeur du port de charge en appuyant sur la languette inférieure et en tirant sur le câble du chargeur.



Évitez de décharger votre batterie régulièrement en dessous de 10 %.

Évitez de laisser le chargeur connecté à la batterie pendant plus de 5 heures d'affilée, et chargez toujours la batterie sous surveillance afin de pouvoir déconnecter le chargeur si vous détectez une anomalie telle que de la fumée, une odeur de brûlé ou un incendie.

Les batteries lithium-ion sont sensibles à la température pendant le processus de charge. Respectez toujours les plages de température de charge, d'utilisation et de stockage décrites dans ce manuel.

**ATTENTION** Veuillez vous référer à la section Informations utiles concernant les batteries RS pour plus d'indications sur l'utilisation, l'entretien et les procédures de dépannage de la batterie interne et du Range Extender.

## CHANGER LE MODE D'ASSISTANCE

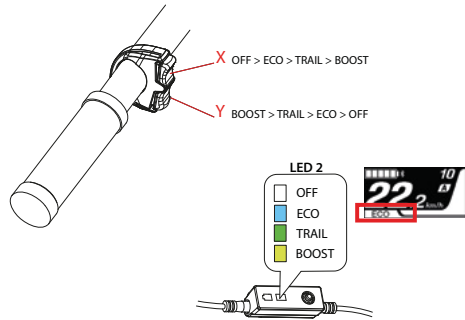
### · AVEC MANETTE SHIMANO SW-EM800 / SW-E7000-L:

Pour passer d'un mode d'assistance à l'autre avec la manette SW-EM800 (montages avec écran SC-EM800) ou SW-E7000-L (montages avec jonction EW-EN), appuyez sur la touche X pour augmenter le mode d'assistance jusqu'au maximum disponible (Boost). Appuyez sur le bouton Y pour diminuer le niveau d'assistance jusqu'à ce que le mode sans assistance soit atteint.

Les niveaux d'assistance électrique disponibles sont les suivants :

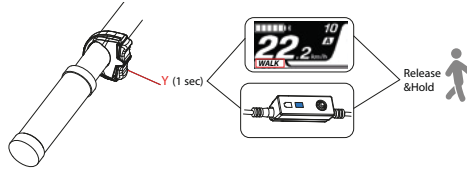
- OFF (sans assistance électrique)
- ECO
- TRAIL
- BOOST.

Lors du passage d'un mode à l'autre, la LED2 de la jonction EW-EN change de couleur pour indiquer le mode activé. Sur les montages avec affichage, le mode d'assistance activé sera affiché à l'écran.



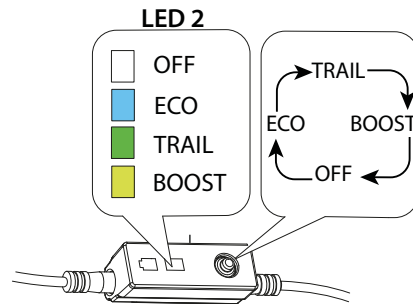
· **ASSISTANCE À LA MARCHÉ** : Pour activer l'assistance à la marche, appuyez sur le bouton Y de la manette W-EM800 / SW-E7000-L pendant 1 seconde jusqu'à ce que le mot WALK apparaisse sur l'écran SC-EM800 ou que la LED2 de la jonction EW-EN100 s'allume en bleu.

Relâchez le bouton Y et appuyez à nouveau pour activer l'assistance à la marche. Le système vous aidera à pousser le vélo tant que le bouton Y est enfoncé.



· **AVEC LA JONCTION EW-EN100** : Il est également possible de passer d'un mode d'assistance à l'autre en appuyant sur le bouton de la jonction Shimano EW-EN100. Appuyez une fois sur le bouton pour passer au mode d'assistance suivant. Lorsque le mode Boost est atteint, si vous appuyez à nouveau sur le bouton, le système repasse en mode d'assistance OFF (sans assistance électrique).

N'utilisez pas la jonction pour passer d'un mode d'assistance à l'autre pendant que vous roulez, car le fait de lever la main du guidon risque de provoquer des accidents et des blessures graves. Les niveaux de puissance de chaque mode d'assistance peuvent être modifiés à l'aide de l'application Shimano Etube pour une expérience plus personnalisée.



Le moteur Shimano EP8 RS offre deux profils d'assistance électrique : dans chacun, les niveaux d'assistance électrique ECO, TRAIL et BOOST peuvent être personnalisés de façon indépendante en utilisant l'application pour smartphone Shimano Etube Project.

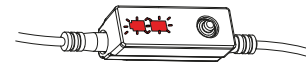
Consultez la section de ce manuel consacrée à l'application Shimano Etube Project pour savoir comment passer d'un profil d'assistance à un autre et modifier les modes d'assistance.

Vous trouverez le manuel complet Shimano dédié à l'application Etube Project au lien suivant :

[https://si.shimano.com/#/es/iUM/7J4MA/customization/toc\\_task\\_yvb\\_xnr\\_1mb](https://si.shimano.com/#/es/iUM/7J4MA/customization/toc_task_yvb_xnr_1mb)

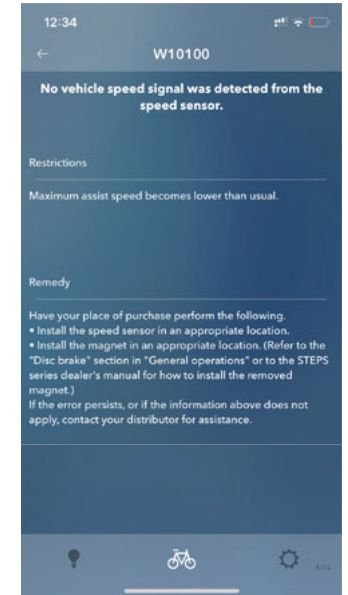
## ERREURS DU SYSTÈME

Lorsqu'une erreur est détectée dans le système, les LED de la jonction EW-EN100 clignotent en rouge. Dans les montages avec affichage SC-EM800, le code d'erreur sera affiché à l'écran.



Éteignez et rallumez le vélo et connectez-le à l'application Shimano Etube Project. Le code d'erreur et la procédure de dépannage seront affichés dans la section Entretien > Registre d'erreur. (Error Log)

Vous pouvez également consulter le manuel du système EP8 pour trouver les codes d'erreur et les solutions liées.





## 07 ORBEA RS TOOLBOX

### VISUALISATION DES DONNÉES SYSTÈME SUR LES APPAREILS GARMIN

#### INSTALLATION ET DÉVERROUILLAGE DE ORBEA RS TOOLBOX SUR LES APPAREILS GARMIN. APPLICATION GARMIN CONNECT

Orbea RS Toolbox est une application pour les appareils Garmin développée exclusivement pour les propriétaires d'un vélo Rise. Elle s'ajoute à votre appareil compatible sous forme de champ de données et vous permet d'afficher des informations concernant votre Rise pendant que vous roulez.

#### ATTENTION

Suivez les étapes ci-dessous pour installer et déverrouiller Orbea RS Toolbox sur votre appareil Garmin à l'aide de l'application pour smartphone Garmin Connect via une connexion Bluetooth. Vous pouvez suivre la même méthode sur votre PC ou Mac par le biais de l'application Garmin Express, en connectant votre appareil à votre ordinateur à l'aide d'un câble USB.

#### ATTENTION

Le déverrouillage d'Orbea RS Toolbox nécessite d'avoir enregistré au préalable votre nouveau Rise sur le site internet Orbea. Ceci vous permettra également de profiter des conditions de la garantie à vie. Rendez-vous sur le site internet Orbea et enregistrez votre vélo, en créant d'abord un profil utilisateur si vous ne l'avez pas encore fait.

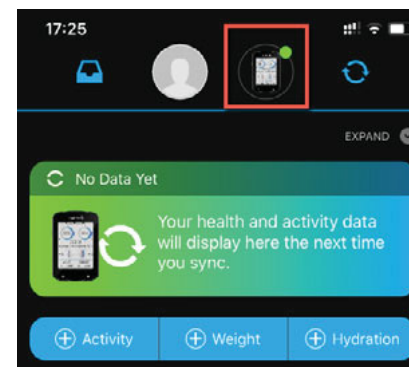
[www.orbea.com/es-es/access-register](http://www.orbea.com/es-es/access-register)

Le numéro de série de votre vélo est un code à 11 chiffres dont vous trouverez le premier sur le cadre :

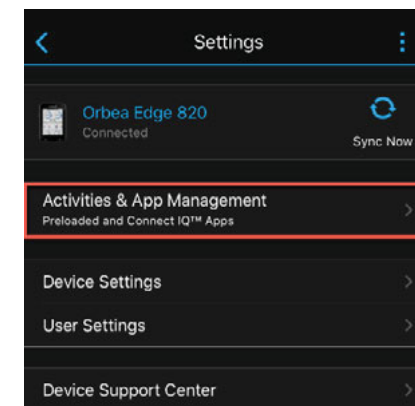


1. Après avoir enregistré le numéro de série de votre vélo sur le site internet Orbea, ouvrez l'application Garmin Connect sur votre smartphone et connectez votre appareil via Bluetooth.

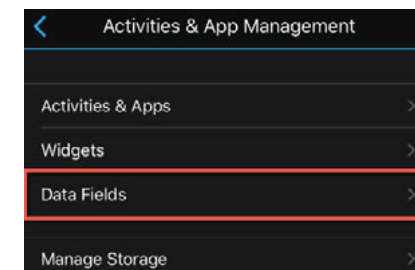
Notez que vous devez avoir au préalable téléchargé et installé Garmin Connect depuis Google Play ou l'Apple Store..



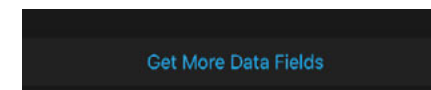
2. Sélectionnez « Gestion des activités et des applications ».



3. Sélectionnez « Champs de données ».



4. Cliquez sur « Plus de champs de données ».

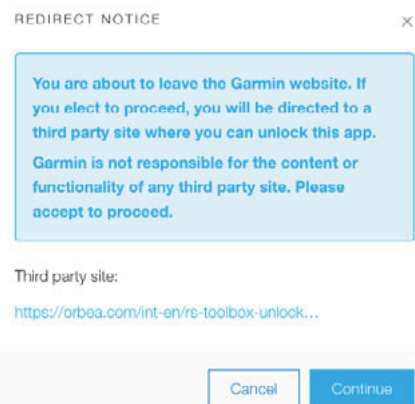


5. Recherchez « Orbea RS Toolbox » dans le IQ Store. Sélectionnez « Déverrouiller » Orbea RS Toolbox.

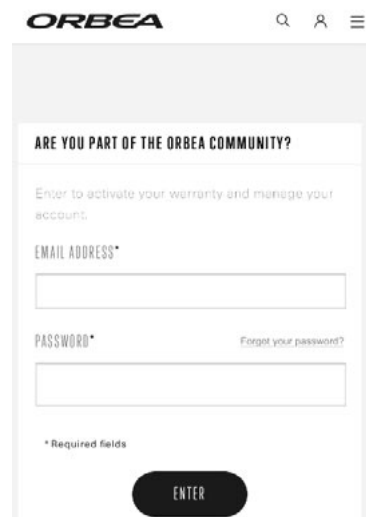


**ATTENTION** Si vous ne trouvez pas l'application Orbea RS Toolbox dans le IQ Store, votre appareil n'est pas compatible avec l'application. Nous travaillons chaque jour pour intégrer de nouveaux appareils ; veuillez contacter Orbea pour plus d'informations.

6. Un message vous informera que vous êtes sur le point de quitter le IQ Store. Acceptez la redirection vers la page d'activation Orbea.



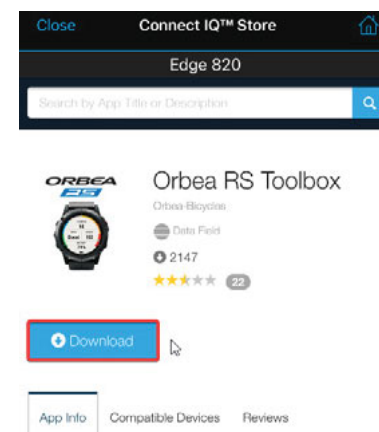
7. Saisissez vos données d'accès à votre compte Orbea.



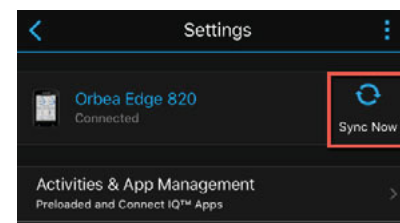
8. Si vous avez déjà enregistré le numéro de série de votre Rise, un message vous indiquera que votre appareil Garmin a été déverrouillé avec succès.

9. Revenez à Garmin Connect sur votre téléphone mobile. Vous constaterez que le bouton de déverrouillage apparaît toujours sur l'écran Orbea RS Toolbox. **Recherchez à nouveau Orbea RS Toolbox dans la barre de recherche Garmin Connect et sélectionnez l'application.** Vous verrez maintenant que le bouton de déverrouillage a disparu et que seul le bouton de téléchargement est visible.

Téléchargez l'application. Un message vous indiquera que l'application sera installée lorsque vous synchroniserez votre appareil.



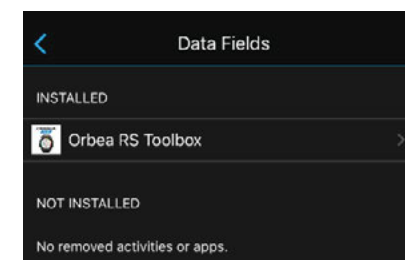
10. Revenez à Garmin Connect sur votre smartphone et synchronisez votre appareil avec l'application.



Got it! Orbea RS Toolbox will be installed the next time your device syncs.  
How To Sync

11. Accédez aux « Champs de données » dans « Gestion des activités et des applications ». Vous verrez qu'Orbea RS Toolbox est maintenant disponible sur votre appareil.

Si l'application est visible mais apparaît comme non installée, synchronisez votre appareil.



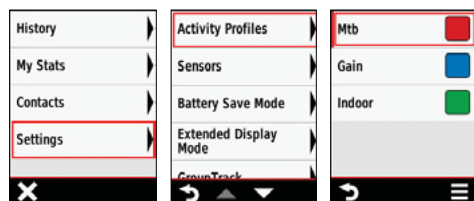
## ACTIVATION D'ORBEA RS TOOLBOX SUR VOTRE APPAREIL

Une fois que vous avez téléchargé et déverrouillé l'application Orbea Toolbox à l'aide de Garmin Express (PC ou Mac) ou Garmin Connect (smartphones) et synchronisé votre appareil, activez l'affichage des champs de données sur votre appareil.

Voici le processus d'affichage des champs de données pour les montres Garmin et les appareils Edge compatibles.

1. Allumez votre Rise et l'appareil sur lequel vous avez installé Orbea RS Toolbox, qui se synchroniseront automatiquement.

2. Accédez aux profils dans le menu Paramètres de votre appareil et choisissez le profil d'activité que vous souhaitez utiliser pour visionner les données Rise.

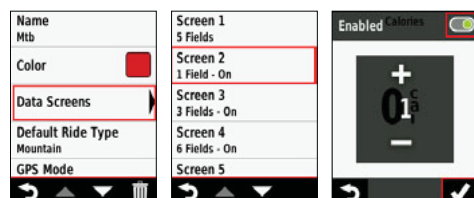


Appareils Garmin Edge



Montres Garmin

3. Sélectionnez « Champs de données » et la page de profil d'activité où vous souhaitez afficher vos données Rise. Activez la page de données et choisissez l'affichage avec un champ de données unique.



Appareils Garmin Edge

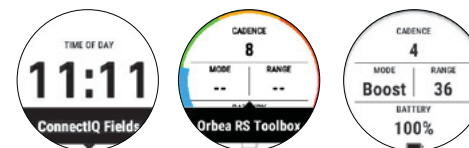


Montres Garmin

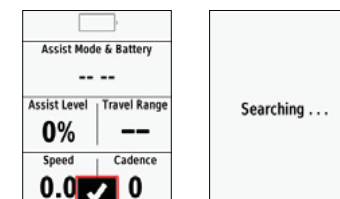
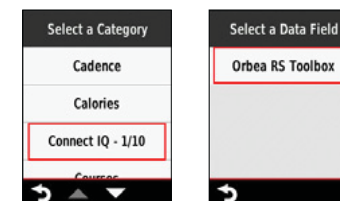
4. Sélectionnez les informations que vous souhaitez afficher dans le champ de données.

Sélectionnez Connect IQ et appuyez sur Orbea RS Toolbox.

Si vous n'aviez pas connecté votre Rise avant de configurer les champs de données, l'appareil affichera le message " Recherche... " après avoir sélectionné le champ de données Orbea RS Toolbox. Lorsque vous allumez votre vélo et accédez à la page où vous avez configuré le Toolbox, les données Rise seront visibles.

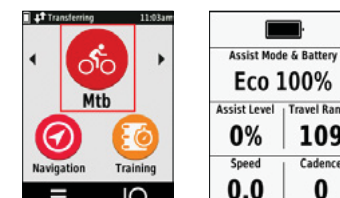


Montres Garmin

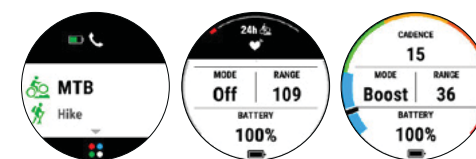


Appareils Garmin Edge

5. Une fois le vélo allumé, accédez au profil d'activité sélectionné pour la visualisation des données Rise ou démarrez une activité sur ce profil. Accédez à la page de données où vous avez configuré Orbea RS Toolbox pour visualiser les données de votre vélo.



Appareils Garmin Edge



Montres Garmin

## UTILISATION D'ORBEA RS TOOLBOX

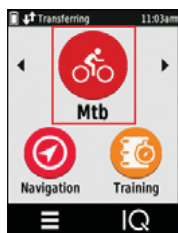
**ATTENTION** Orbea RS Toolbox n'est pas compatible avec une utilisation simultanée de l'application native Garmin Edge Shimano STEPS sur les appareils Edge 530, 830, 1030 et 1030 Plus. Avant chaque sortie, déconnectez ou supprimez le vélo de la liste des capteurs de votre appareil Garmin avant d'essayer d'utiliser Orbea RS Toolbox. Cette contrainte n'est pas due à Toolbox, mais imposée par Garmin.

### CONNECTEZ VOTRE RISE À ORBEA RS TOOLBOX

Allumez toujours votre appareil Garmin avant le vélo et commencez à enregistrer l'activité, puis allumez votre Rise afin que les informations de charge restante de la batterie apparaissent dès le départ sur Toolbox. Dans le cas contraire, le niveau de batterie restant ne s'affiche qu'après une certaine distance parcourue et après que le niveau de la batterie ait diminué de 1%.

À la première installation de Toolbox, celui-ci se connectera au vélo ayant le signal le plus fort (généralement le plus proche). Une fois la connexion confirmée, l'application se connectera toujours à ce vélo. Si vous rencontrez des problèmes de connexion, assurez-vous que votre Rise est le seul vélo allumé. Ceci facilitera la connexion.

La connexion entre votre Rise et Orbea RS Toolbox se fait automatiquement via le protocole ANT Private. Si les données du Rise ne s'affichent pas dans le champ de données actif de votre appareil Garmin, essayez d'appuyer sur les boutons de changement de niveau d'assistance. Si les données Toolbox ne sont toujours pas visibles, redémarrez le vélo pour réinitialiser la connexion.



Assist Mode & Battery	
<b>Boost 100%</b>	
Assist Level	Travel Range
<b>5%</b>	<b>36</b>
Speed	Cadence
<b>4.0</b>	<b>9</b>

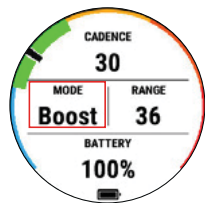


### DONNÉES RISE PROPOSÉES DANS ORBEA RS TOOLBOX

**MODE D'ASSISTANCE** : Affiche le mode d'assistance actuellement sélectionné parmi les modes disponibles : Off, Eco, Trail, Boost.

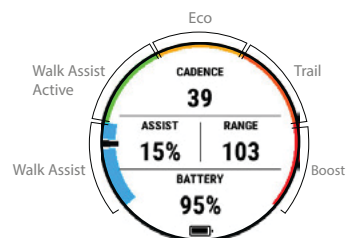
**Options d'affichage du mode d'assistance** : Orbea RS Toolbox permet l'affichage du mode d'assistance sélectionné de deux façons différentes. Référez-vous à la section dédiée « **Personnalisation des champs de données** » pour apprendre comment sélectionner l'information du champ de données.

Le nom du mode d'assistance en question sera affiché.



Il est également possible de voir les modes d'assistance sélectionnés sur la bande de couleur externe autour de l'écran Toolbox. Lors du choix d'un mode d'assistance, la zone correspondante sera mise en évidence. Les codes couleur des modes d'assistance sont :

BLEU : Aide à la marche sélectionnée mais non active.  
VERT : Aide à la marche active  
JAUNE : Eco.  
ORANGE : Trail  
ROUGE : Boost.



**BATTERIE** : Niveau de charge de la batterie indiqué en pourcentage.

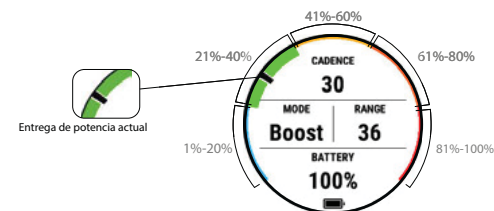
Si une batterie externe Range Extender est connectée, le système prendra en compte la capacité totale combinée de la batterie interne et du Range Extender (612 Wh) et le Toolbox affichera le pourcentage de batterie restant, en tenant compte de la charge des deux batteries.

**ATTENTION** Si, pendant l'utilisation du vélo, le pourcentage de batterie restant n'est pas visible dans Orbea RS Toolbox les données seront à nouveau affichées lorsque le niveau de batterie restant diminuera de 1%. À ce moment-là, le système EP8 communiquera via ANT Private le niveau de charge de la batterie à l'appareil Garmin. Le niveau de charge sera à nouveau affiché sur l'appareil.

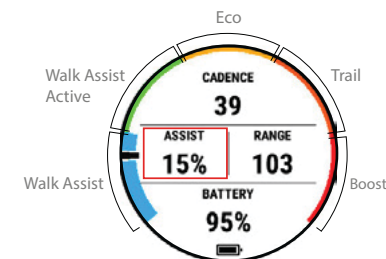
**MODE D'ASSISTANCE** : La puissance d'assistance délivrée par le moteur est réduite en fonction du mode d'assistance sélectionné. Elle est indiquée en pourcentage de la puissance totale disponible du moteur.

**Options d'affichage du mode d'assistance sur les montres** : Orbea RS Toolbox permet de visualiser le niveau d'assistance activé de deux façons différentes. Référez-vous à la section dédiée « **Personnalisation des champs de données** » pour apprendre comment sélectionner l'information du champ de données.

Vous pouvez choisir de faire apparaître le niveau d'assistance sur la bande de couleur externe autour de l'écran Toolbox. Ainsi, le niveau d'assistance activé sera indiqué par une ligne noire qui parcourra les plages de puissance du moteur (1 %-100 %). Par défaut, différents modes d'assistance accèdent à différentes plages de puissance du moteur. Par exemple, seuls les modes d'assistance les plus puissants permettront au moteur de fournir environ 100% de la puissance.



Il est également possible d'afficher le niveau d'assistance à l'aide du champ de données Assist, qui affichera la puissance actuelle en pourcentage du total disponible.



**AUTONOMIE** Autonomie (en km ou miles) dans le mode d'assistance sélectionné avec la charge de batterie restante. L'autonomie affichée peut varier en fonction de la puissance fournie par le cycliste, ainsi que de l'utilisation précédente du vélo.

**VITESSE** : Vitesse actuelle du vélo.

**CADENCE** : Cadence de pédalage du cycliste.

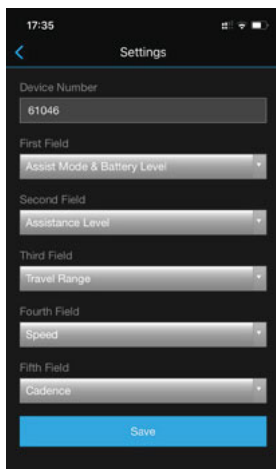
## PERSONNALISATION DES CHAMPS DE DONNÉES

L'ordre dans lequel les données système sont affichées sur l'écran Toolbox de l'appareil compatible peut être personnalisé via Garmin Express ou l'application mobile Garmin Connect.

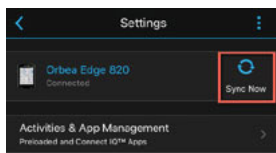
1. Ouvrez Garmin Connect sur votre smartphone et connectez votre appareil.
2. Accédez à votre appareil via l'application et naviguez jusqu'au menu « Paramètres » de Orbea RS Toolbox :

*Gestion des applications > Champs de données > Orbea RS Toolbox > Paramètres*

3. Sélectionnez les données que vous souhaitez visualiser dans chaque champ Orbea Toolbox à l'aide des menus déroulants et appuyez sur Enregistrer.



4. Retournez à l'écran principal de l'application et sélectionnez Synchroniser.



Lorsque vous reconnectez votre appareil au Rise, les données seront organisées en fonction de vos paramètres enregistrés.

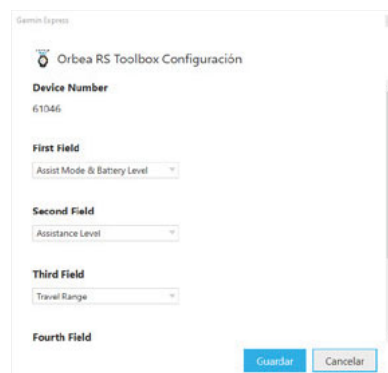
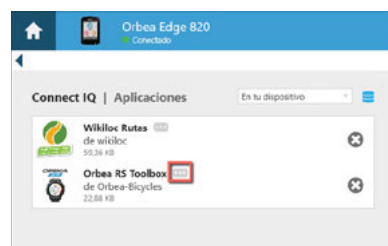
Si votre appareil était connecté au Rise lors de l'enregistrement des modifications, celles-ci s'afficheront immédiatement après la synchronisation de votre appareil.

## GARMIN EXPRESS (PC ET MAC)

Les champs visibles peuvent également être personnalisés à l'aide de l'application Garmin Express pour PC ou Mac.

Connectez votre appareil Garmin à votre ordinateur à l'aide d'un câble USB et accédez aux applications installées. Appuyez sur le bouton Paramètres de Orbea RS Toolbox et sélectionnez les informations que vous souhaitez afficher dans chaque champ.

Enregistrez vos modifications et synchronisez votre appareil.



## ENREGISTREMENT DES DONNÉES D'ACTIVITÉS RISE AVEC GARMIN CONNECT

Lorsque vous enregistrez une activité avec Orbea RS Toolbox avec votre appareil Garmin compatible, les données Toolbox sont enregistrées parallèlement aux autres données de l'activité. Vous pouvez ainsi accéder aux données relatives au niveau d'assistance, à l'autonomie, à la charge de la batterie, à la cadence, etc. lors de l'enregistrement de l'activité.

Visualisez les données Orbea RS Toolbox pendant l'activité via Garmin Connect de la même manière que vous visualisez d'autres données enregistrées par votre appareil Garmin.



## 08 SHIMANO ETUBE PROJECT

### PERSONNALISATION DU SYSTÈME D'ASSISTANCE ÉLECTRIQUE

Le système Shimano EP8, via l'application smartphone Etube Project, vous permet de personnaliser les niveaux d'assistance pour répondre à vos besoins. Chaque niveau d'assistance peut être modifié pour fournir la puissance exacte adaptée à votre style de conduite.

Le moteur EP8 permet également de sélectionner deux profils d'assistance. Dans chacun des profils, chaque niveau d'assistance peut être modifié pour atteindre la puissance qui convient le mieux à vos besoins.

Le profil d'assistance 1 est conçu pour les activités avec un dénivelé moins important, réduisant la puissance nécessaire et augmentant l'autonomie. Le profil 2 est conçu pour des activités plus exigeantes avec des pentes plus prononcées, augmentant la puissance délivrée dans chaque mode d'assistance. Rêferez-vous au manuel complet de l'application Etube Project, disponible dans la documentation Shimano. L'application Etube Project permet également de personnaliser les manettes de commande à distance, de consulter les rapports d'erreur, de mettre à jour le logiciel des composants, etc.

Consultez le guide d'utilisation complet de l'application ici :

<https://si.shimano.com/#/en/iUM/7J4MA>

Téléchargez et installez Etube Project sur votre smartphone depuis Google Play ou l'Apple Store.

1. Ouvrez Etube Project sur votre smartphone. Allumez votre Rise et lancez l'application sur votre téléphone.
2. Sélectionnez « Enregistrer Ebike »
3. Sélectionnez l'appareil à synchroniser.
4. Enregistrez votre vélo Rise dans l'application Etube Project.  
Vous pouvez modifier le mot de passe afin que vous seul puissiez apporter des modifications à votre vélo. Si vous ne voulez pas changer le mot de passe, passez à l'étape suivante.
5. Sélectionnez l'onglet « Support ».

6. Modifiez le couple maximal pour chaque niveau d'assistance du profil 1 ou 2.

7. Sélectionnez le profil d'assistance souhaité pour votre activité. Le profil d'assistance 1 est conçu par défaut pour les activités avec un dénivelé moins important, tandis que le profil 2 est conçu par défaut pour des activités plus exigeantes avec des pentes plus prononcées.

\* N'oubliez pas d'appliquer les changements pour chaque modification du système effectuée à l'aide de l'application Etube Project.

Bien que les niveaux d'assistance dans un profil puissent être sélectionnés via la manette du guidon, le changement de profil d'assistance doit être effectué via l'application Etube Project. Une fois le profil d'assistance sélectionné, les modes de ce profil peuvent être sélectionnés à l'aide de la manette au guidon.

### AFFICHAGE DES ERREURS DU SYSTÈME

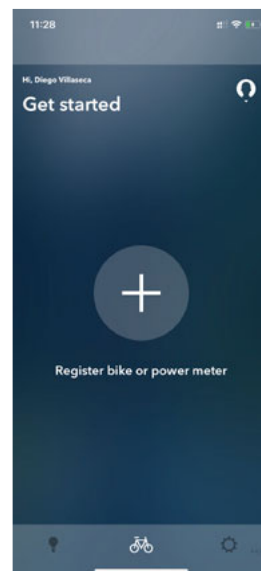
En cas d'erreur dans le système d'assistance électrique, l'application Etube Project vous permet de visualiser les codes d'erreur ainsi que leurs procédures de dépannage.

Dans les montages avec jonction EW-EN100 (sans affichage), toute erreur sera indiquée par les deux LED de la jonction clignotant en même temps. Pour déterminer le code d'erreur et la procédure de dépannage, connectez votre Rise à l'application Shimano Etube Project.

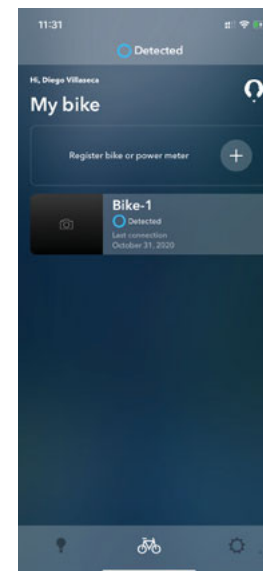
Si l'erreur persiste après l'application de la procédure proposée par l'application ou le manuel du système STEPS, emmenez votre vélo chez un revendeur agréé pour un diagnostic complet.

Si une erreur survient dans les montages avec écran SC-EM800, le code d'erreur apparaîtra sur l'écran d'affichage. Rêferez-vous au manuel du système Shimano STEPS ou connectez votre Rise à l'application Shimano Etube Project pour la procédure de dépannage.

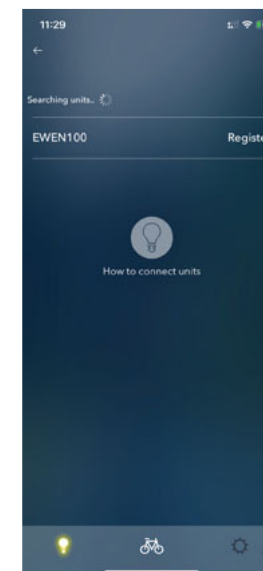
Si l'erreur persiste après l'application de la procédure proposée par l'application ou le manuel du système STEPS, emmenez votre vélo chez un revendeur agréé pour un diagnostic complet.



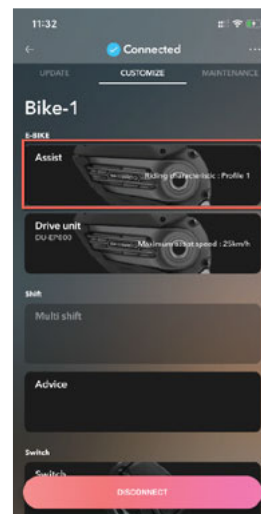
2



3



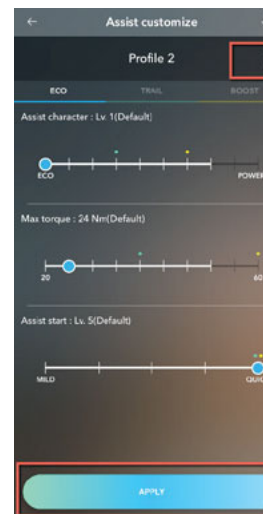
4



5



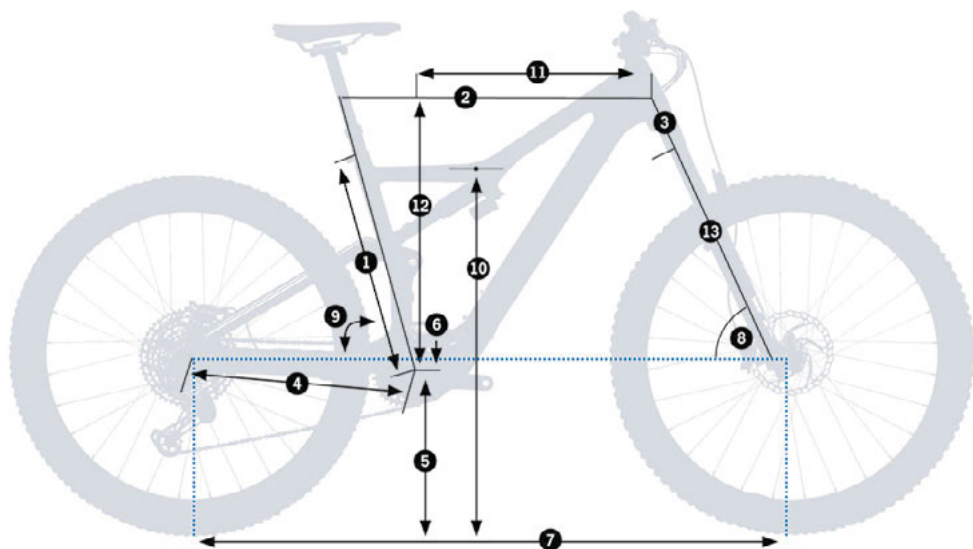
6



7

## 09 GÉOMÉTRIE ET ERGONOMIE DU

### RISE



TAILLE CADRE	S	M	L	XL
1 - Tube de selle (C-T)	381	419	457	508
2 - Tube horizontal (EFF)	565	592	619	649
3 - Douille de direction	95	105	120	140
4 - Base	445	445	445	445
5 - Hauteur du boîtier de pédalier	336	336	336	336
6 - Chute du pédalier	35/32	35/32	35/32	35/32
7 - Empattement	1 180	1 205	1 229	1 255
8 - Angle de direction	66°> 65.5°	66°> 65.5°	66°> 65.5°	66°> 65.5°
9 - Angle de selle**	77°> 76.5°	77°> 76.5°	77°> 76.5°	77°> 76.5°
10 - Hauteur de base	710	736	766	776
11 - Portée du cadre (reach)	425	450	474	500
12 - Hauteur du cadre (stack)	604	613	627	646
13 - Longueur de fourche	547	547	547	547

TAILLE (CM)	TAILLE (IN)	TAILLE CADRE
150-165	59.1"-65.0"	S
160-175	63.0"-68.9"	M
170-185	66.9"-72.8"	L
180-198	70.9"-78.0"	XL

\* Ce guide des tailles et ses valeurs sont indicatives. La méthode la plus efficace pour déterminer votre taille de cadre est d'essayer le vélo chez l'un de nos revendeurs agréés.

\*\*Avec fourche de 140/150mm.

## HAUTEURS MAXIMALE ET MINIMALE DE SELLE AVEC TIGE DE SELLE TÉLESCOPIQUE

Le tableau suivant indique les hauteurs de selle maximale et minimale pour chaque taille de cadre, avec la tige de selle télescopique en position relevée.

La hauteur de selle maximale fait référence à la tige de selle installée avec son insertion minimale, définie par la tige de selle.

La hauteur minimale se réfère à la tige de selle installée avec une insertion maximale, définie par le cadre.

Sont indiquées uniquement les hauteurs respectives pour les montages avec tiges de selle et selles proposées par Orbea, pour un cadre donné. Pour connaître ces mesures en cas d'utilisation d'une autre tige de selle télescopique, vérifiez les caractéristiques auprès du fabricant de la tige de selle ainsi que l'insertion maximale pour chaque taille de cadre dans ce manuel.

**ATTENTION** Les mesures indiquées dans le tableau suivant définissent la distance entre le centre du boîtier de pédalier et le milieu de la partie supérieure de la selle (modèles de selle montés par Orbea).

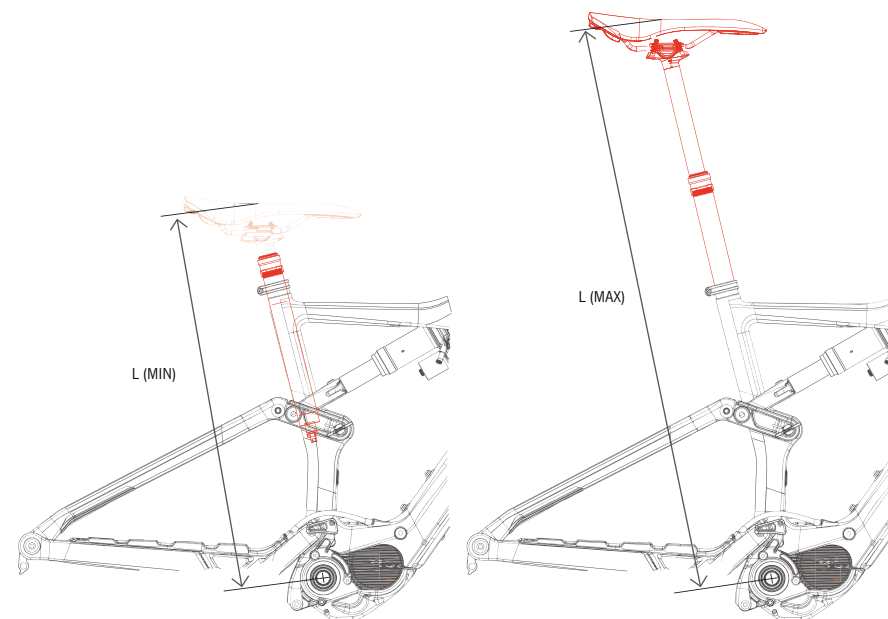
Différents modèles de selles sur le marché peuvent faire varier ces hauteurs de +/-5mm en fonction de la hauteur du modèle en question. Si votre hauteur de selle diffère de moins de 5 mm des valeurs indiquées dans le tableau, il peut être possible d'ajuster la hauteur au moyen d'un autre modèle de selle disponible sur le marché.

Si votre hauteur de selle diffère de plus de 5 mm des valeurs indiquées, choisissez une tige de selle télescopique avec un débattement plus ou moins grand.

### CADRE/TAILLE

TIGE DE SELLE TÉLESCOPIQUE	HAUTEUR DE SELLE EN POSITION RELEVÉE	RISE (S)	RISE (M)	RISE (L)	RISE (XL)
OC2 31.6 125 mm	Minimum	627 mm *	650mm *	691mm *	738mm *
	Maximum	741mm *	778mm *	818mm *	866mm *
OC2 31.6 150mm	Minimum	675mm *	675mm *	713mm *	763mm *
	Maximum	790mm *	827mm *	866mm *	918mm *
OC2 31.6 170mm	Minimum	716mm *	717mm *	734mm *	785mm *
	Maximum	831mm *	866mm *	908mm *	957mm *
FOX TRANSFER 31.6 125 mm	Minimum	598mm *	630mm *	670mm *	718mm *
	Maximum	692mm *	730mm *	769mm *	820mm *
FOX TRANSFER 31.6 150mm	Minimum	652mm *	654mm *	695mm *	744mm *
	Maximum	746mm *	782mm *	824mm *	874mm *
FOX TRANSFER 31.6 175mm	Minimum	709mm *	708mm *	720mm *	768mm *
	Maximum	804mm *	840mm *	881mm *	930mm *

\* Les mesures peuvent varier de +/- 5 mm selon la hauteur du modèle de selle.





# 10 CARACTÉRISTIQUES TECHNIQUES

## RISE

<b>MATÉRIAU DU CADRE</b>	
Triangle avant	ORBEA OMR CARBON
Bras oscillant (bases et haubans)	ORBEA OMR CARBON
Biellette	ALUMINIUM
Utilisation recommandée	TRAIL, ALL-MOUNTAIN
Tailles	S, M, L, XL
Design de la suspension	CONCENTRIC BOOST 2 PIVOT
Débattement de la fourche	140 mm (option 150 mm)
Longueur maximale de la fourche (axe-couronne)	561mm
Déport de fourche	44mm
Débattement arrière	140mm
<b>STANDARD AMORTISSEUR</b>	MÉTRIQUE, 210X55
<b>Montage de l'amortisseur</b>	
Cadre	8 x 21.84 mm
Extenseur d'amortisseur	8 x 15.75 mm
<b>SAG RECOMMANDÉ</b>	25%-30%
Direction	Intégrée 1 1/8" - 1 1/2"
<b>Entretoises de direction (maximum)</b>	
	30mm
<b>Boîtier de pédalier</b>	AXE MOTEUR SHIMANO EP8
<b>Ligne de chaîne</b>	BOOST. 53mm
<b>Taille de roue</b>	29"
<b>Largeur maximale du pneu arrière</b>	2.5
<b>Largeur maximale du pneu avant</b>	Dépend de la fourche
<b>Placement du capteur de vitesse magnétique Shimano</b>	Sur le disque de frein arrière
<b>Standard axe arrière</b>	BOOST 12x148
<b>Dimensions de l'axe arrière</b>	12 x 187 mm
<b>Pas de filetage de l'axe arrière</b>	1.5mm
<b>Longueur de filetage de l'axe arrière</b>	15mm
<b>Diamètre de la tige de selle</b>	31.6mm
<b>Diamètre du collier de serrage de la tige de selle</b>	35mm

<b>INSERTION MAXIMALE DE LA TIGE DE SELLE</b>	
S	222mm
M	255mm
L	300mm
XL	350mm
<b>Tige de selle compatible avec passage de câbles interne</b>	OUI
<b>Dérailleur avant</b>	NON
<b>Plateaux compatibles</b>	Shimano STEPS spline. 12V. Ligne de chaîne 53mm
<b>Taille plateau maximal</b>	34T
<b>Taille plateau minimal</b>	30T
<b>Compatible plateau ovale</b>	NON
<b>Type de freins</b>	DISQUE *
<b>Standard étrier de frein arrière</b>	POST MOUNT
<b>Taille maximale du disque arrière</b>	203mm
<b>Taille minimale du disque arrière</b>	180mm
<b>Compatible guide-chaîne</b>	OUI Guide-chaîne Shimano E7000-E8000-EP8
<b>ICGS</b>	NON
<b>Passage des câbles</b>	Changement de vitesse et frein: interne via tube diagonal et bases. Gaine complète Système d'assistance électrique : interne via tube diagonal et base
<b>Compatible câblage de frein arrière à gauche</b>	OUI OUI La durite arrière s'insère dans le cadre par le côté gauche
<b>Porte-bidon</b>	1. Dans toutes les tailles. Montage du support Range Extendeur ou porte-bidon standard
<b>Compatibilité de la transmission</b>	11V> 12V VTT
<b>Compatible Shimano di2</b>	OUI Dérailleur arrière
<b>Compatible SRAM AXS</b>	OUI
<b>Compatibilité capteur de puissance</b>	NON
<b>Compatible avec remorque</b>	NON
<b>Montage porte-bagage</b>	NON
<b>Montage garde-boue</b>	NON
<b>Montage siège enfant</b>	NON

\* Les étriers et les disques du marché ne sont pas tous compatibles avec tous les cadres.

Tous les composants spécifiés par Orbea ont été testés. Pour le montage d'autres pièces, vérifiez les dimensions et les tolérances avant l'achat.

# CARACTÉRISTIQUES TECHNIQUES

## SHIMANO EP8 RS

Veillez consulter le manuel du système Shimano EP8 dans la documentation du fabricant. N'oubliez pas que les batteries RS sont exclusives à Orbea.

<https://si.shimano.com/api/publish/storage/pdf/en/dm/EP800/DM-EP800-01-ENG.pdf>

### MOTEUR SHIMANO EP8 RS.

Puissance nominale	250 W
Tension	36V
Type	BRUSHLESS DC
Couple maximal	60 Nm
Vitesse maximale	25 km / h (EU) 20 Mph / 32 Kph (US)
Poids	2.6 kg
Profils d'assistance	2 (sélectionnables via l'application Etube Project)
Modes d'assistance (par profil)	3 (ECO, TRAIL, BOOST) Modifiable via l'application Etube Project
Aide à la marche	OUI
Standard de câblage STEPS / di2	EW-SD300

### JONCTION EW-EN100

Fonctions	Affichage du niveau de charge Affichage et changement du mode d'assistance Affichage des erreurs
Connectivité	Bluetooth (application Shimano Etube Project) ANT Private
Montage	SUR CÂBLE DE CHANGEMENT DE VITESSE DI2
Standard de câblage STEPS / di2	EW-SD50

### AFFICHAGE SC-EM800 (OPTION)

Fonctions	Affichage du niveau de charge Affichage du mode d'assistance Affichage des erreurs
Connectivité	Bluetooth (application Shimano Etube Project) ANT PRIVATE
Montage	Sur le guidon
Standard de câblage STEPS / di2	EW-SD300

### MANETTES DE CHANGEMENT D'ASSISTANCE SW-EM7000-L / SW-EM800 (OPTION)

Fonctions	Changement de mode d'assistance Activation de l'assistance à la marche
Montage	Guidon (diamètre de serrage 22.2 mm)
Standard de câblage STEPS / di2	EM7000-L> EW-SD50 EM800> EW-SD300

### CAPTEUR DE VITESSE EW-SS301

Montage	Sur la base gauche. Câblage interne
Aimant	Sur le disque de frein

## BATTERIE INTERNE ORBEA RS

Tension	36V
Capacité	360 Wh
Poids	2.2 kg
Cellules	LITHIUM-ION. 21700
Temps de charge (2A)	5 HEURES.
Montage	INTERNE. TUBE DIAGONAL
Connexion	HARNAIS ÉLECTRIQUE AU MOTEUR, PORT DE CHARGE ET BOUTON MARCHÉ

## BATTERIE EXTERNE RANGE EXTENDER RS

Tension	36V
Capacité	252 Wh
Poids	1.4 kg
Cellules	LITHIUM-ION. 18650
Temps de charge (2A)	3.5 HEURES.
Montage	PORTE-BIDON DÉDIÉ SUR LE TUBE DIAGONAL
Connexion	CÂBLE RANGE EXTENDER AU PORT DE CHARGE RISE

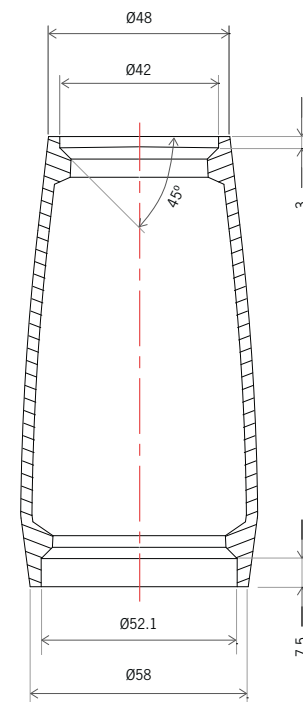
## CHARGEUR DE BATTERIE RS 2A

Entrée	100V - 240V
Sortie	42V
Courant de charge	2A

# 11 MONTAGE ET PIÈCES DE RECHANGE

## DIRECTION

## DIMENSIONS DU TUBE DE DIRECTION



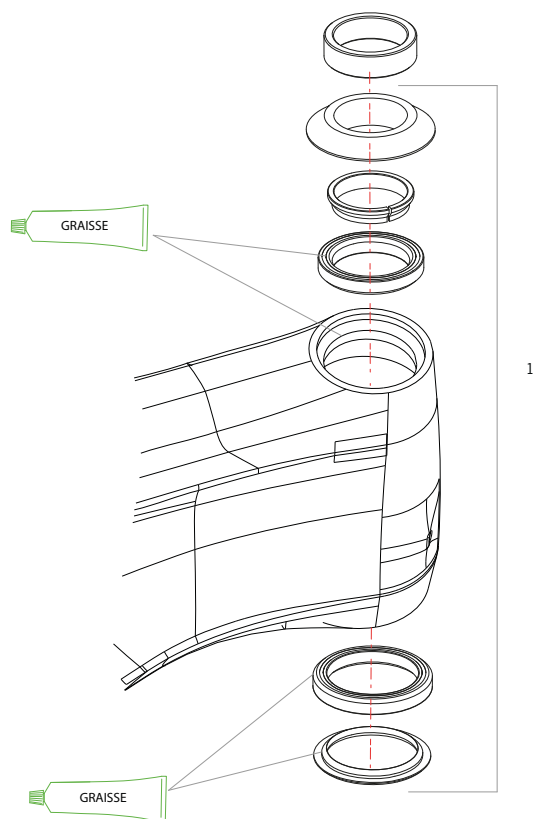
## CARACTÉRISTIQUES DE LA DIRECTION

	TYPE	DI	DE	Angle d'appui du roulement	Angle de contact avec la bague de compression / pivot de la fourche	CODE SHIS
<b>SUPÉRIEUR</b>	1-1/8" Intégré	42mm	48mm	45°	45°	IS42/28.6
<b>INFÉRIEUR</b>	1-1/2" Intégré	52.1mm	58mm	45°	45°	IS52/40









\* DI : Diamètre intérieur du tube de direction.

\*\* DE : Diamètre extérieur du tube de direction.

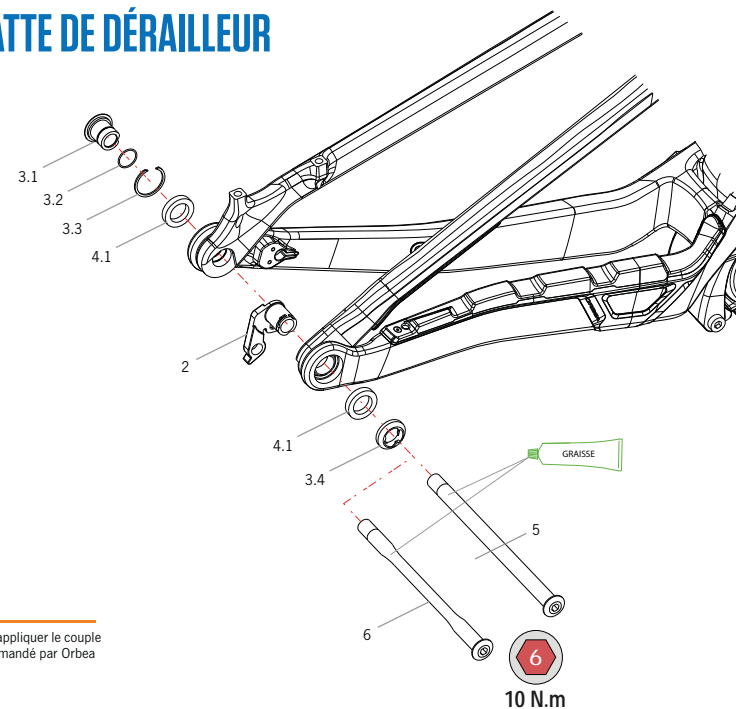
## PIÈCES DÉTACHÉES ET MONTAGE DU JEU DE DIRECTION



### 01 JEU DE DIRECTION INTÉGRÉ VTT 1 1/8"-1 1/2"


ART N°: X0230000		QTÉ.
	1.1 CAPOT DE LA POTENCE	1
	1.2 VIS DE PRÉCONTRAINTÉ	1
	1.3 ÉTOILE DE DIRECTION	1
	1.4 CACHE DU JEU DE DIRECTION	1
	1.5 BAGUE DE COMPRESSION	1
	1.6 ROULEMENT SUPÉRIEUR	1
	1.7 ROULEMENT INFÉRIEUR	1
	1.8 BAGUE DE ROULEMENT INFÉRIEURE	1

## AXES ET PATTE DE DÉRAILLEUR

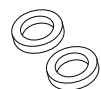


**⚠** Veillez à toujours appliquer le couple de serrage recommandé par Orbea

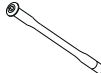
### 02 PATTE DÉRAILLEUR STD. X12 FS 21

ART N°: X1600000		QTÉ.
	02 Patte de dérailleur std. X12 FS 21	1

### 04 KIT ROULEMENTS AXE ARRIÈRE FS20





ART N°: X2040000		QTÉ.
	4.1 FIT 6803	2

### 06 AXE TRAVERSANT BOOST 12X148 LITE (12x187x1.5x15)

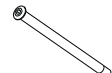
ART N°: X2060000		QTÉ.
	AXE TRAVERSANT BOOST 12X148 LITE (12x187x1.5x15)	1

### 03 KIT ROULEMENT AXE ARRIÈRE FS20

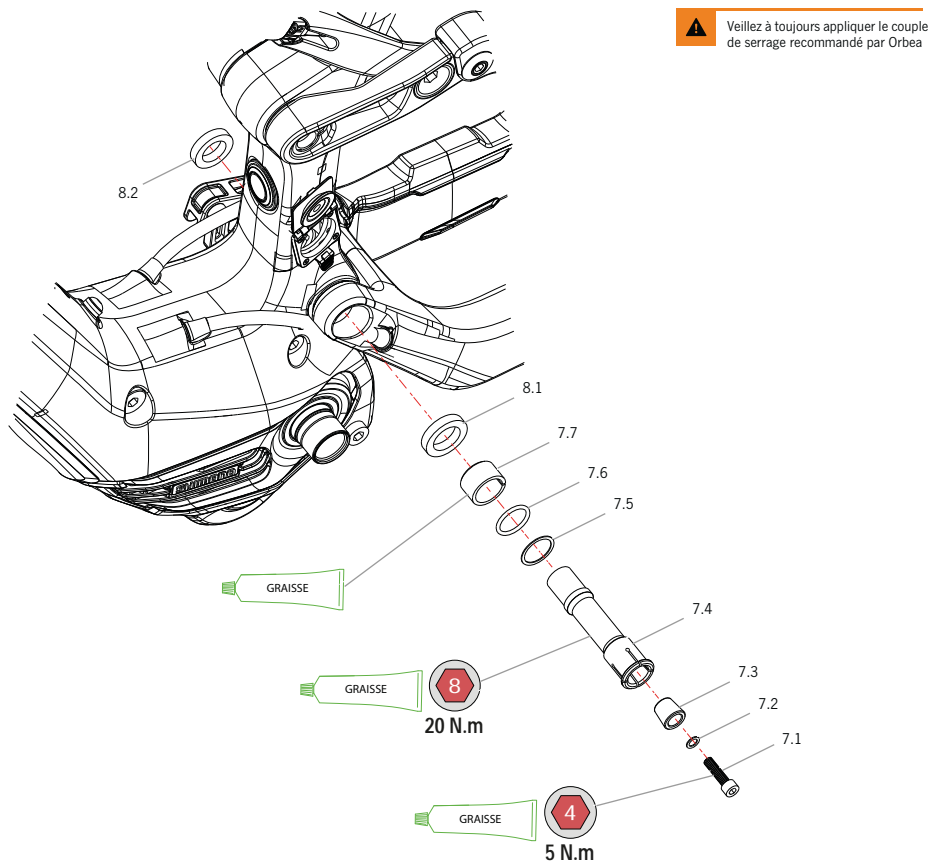
(Patte non incluse)

ART N°: X2030000		QTÉ.
	3.1 ÉCROU AXE GAUCHE	1
	3.2 1 JOINT TORIQUE GAUCHE 13x1 1	1
	3.3 CIRCLIP GAUCHE SB26mm	1
	3.4 1 ENTRETOISE D'ALIGNEMENT DROITE DE LA PATTE 1	1

### 05 AXE TRAVERSANT BOOST 12x148 HUECO (12x187x1.5x15)

ART N°: X2050000		QTÉ.
	05 AXE TRAVERSANT BOOST 12x148 HUECO (12x187x1.5x15)	1

## POINT DE PIVOT PRINCIPAL DU BRAS OSCILLANT



### 07 KIT MONTAGE PIVOT PRINCIPAL RISE-OCCAM M

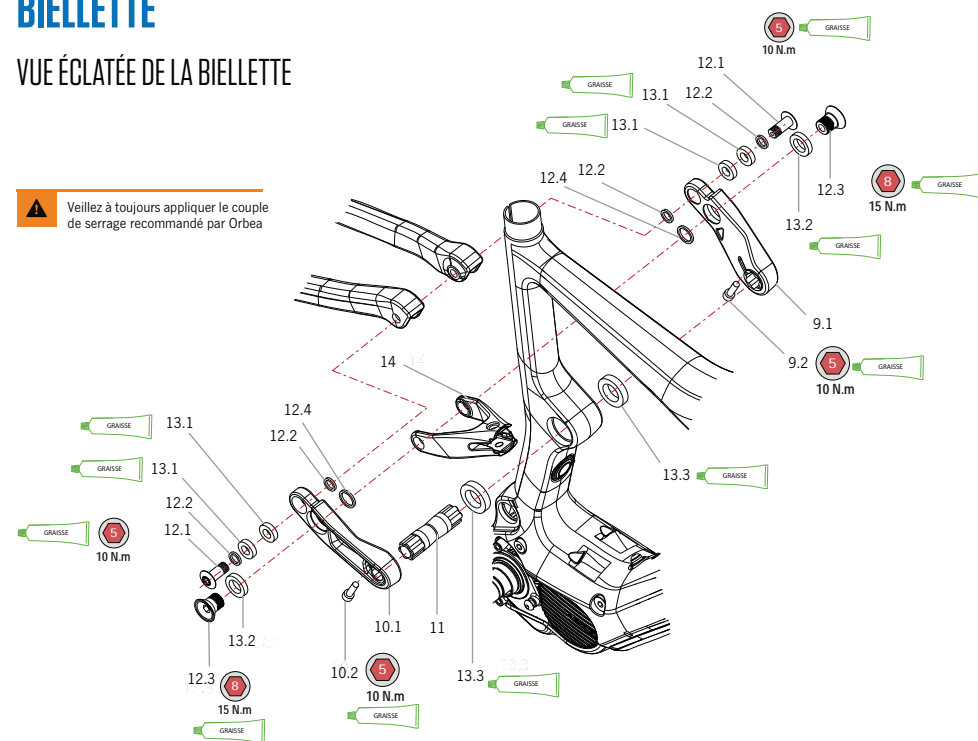
ART N°: X2140000	QTE.
7.1 VIS D'EXPANSION M5x20	1
7.2 RONDELLE D'EXPANSION 5x8x0.5 1	1
7.3 CÔNE D'EXPANSION PIVOT PRINCIPAL	1
7.4 AXE PIVOT PRINCIPAL	1
7.5 RONDELLE D'AXE 17x20.5x0.5	1
7.6 JOINT TORIQUE 16x2	1
7.7 DOUILLE PIVOT PRINCIPAL	1

### 08 KIT ROULEMENTS PIVOT PRINCIPAL RISE OCCAM M

ART N°: X2150000	QTE.
8.1 FIT 6803	1
8.2 FIT 6802	1

## BIELLETTE

### VUE ÉCLATÉE DE LA BIELLETTE



### 09 KIT BIELLETTE GAUCHE RISE

(N'inclut pas les roulements)

ART N°: X2070000	QTE.
9.1 BIELLETTE GAUCHE RISE	1
9.2 VIS M6x20	1

### 10 KIT BIELLETTE DROITE RISE

(N'inclut pas les roulements)

ART N°: X2080000	QTE.
10.1 BIELLETTE DROITE RISE	1
10.2 VIS M6x20	1

### 11 AXE BIELLETTE RISE

ART N°: X2090000	QTE.
AXE BIELLETTE RISE	1

### 12 KIT MONTAGE BIELLETTE RISE

(Des deux côtés)

ART N°: X2100000	QTE.
12.1 VIS BIELLETTE-HAUBAN	2
12.2 RONDELLE BIELLETTE-HAUBAN	4
12.3 VIS BIELLETTE EXT. AMORTISSEUR	2
12.4 RONDELLE BIELLETTE EXT. AMORTISSEUR	2

### 13 KIT DE ROULEMENT BIELLETTE OCCAM-RISE

ART N°: X2110000	QTE.
13.1 ROULEMENTS BIELLETTE-HAUBAN 6800	4
13.2 ROULEMENTS BIELLETTE-EXT. AMORTISSEUR 6802	2
13.3 ROULEMENTS ROULEMENTS BIELLETTE-CADRE	2

### 14 RALLONGE AMORTISSEUR RISE

ART N°: X2120000	QTE.
RALLONGE AMORTISSEUR RISE	1

## MONTAGE DE LA BIELLETTE

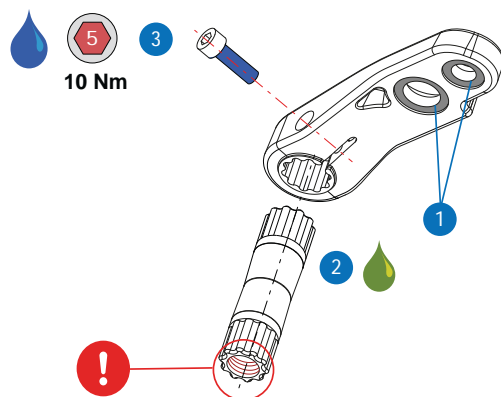
1. Si nécessaire, installez ou remplacez les roulements des biellettes avant d'installer les biellettes gauche et droite.

2. Installez la biellette gauche à l'extrémité de l'axe non fileté, en appliquant une petite quantité d'adhésif pour pièces cylindriques.

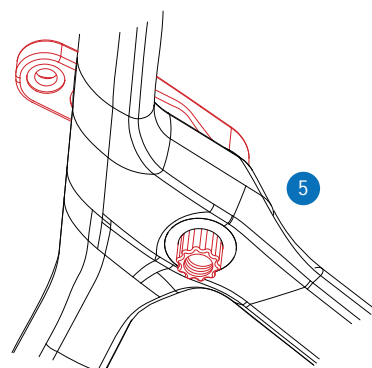
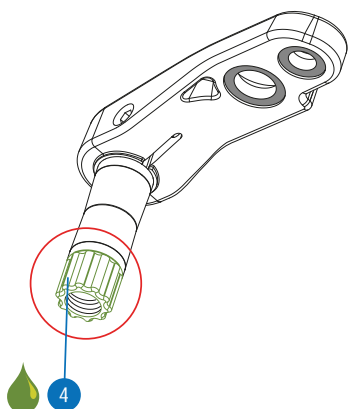
**L'extrémité de l'axe avec un filetage à l'intérieur doit être monté sur le côté droit du Rise.**

3. Installez la vis de fixation de la biellette gauche en appliquant une petite quantité de frein-filet de force moyenne, et serrez-la au couple de serrage recommandé.

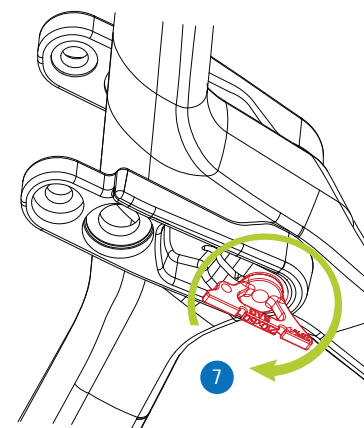
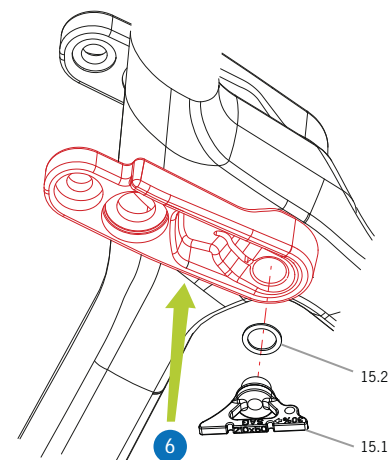
4. Appliquez une petite quantité d'adhésif pour pièces cylindriques à l'axe.



5. Avec les roulements de cadre déjà installés, insérez l'assemblage de la biellette gauche et de l'axe dans le cadre. Assurez-vous que la biellette gauche soit correctement installée. L'axe ne doit pas être visible entre la biellette et le cadre.



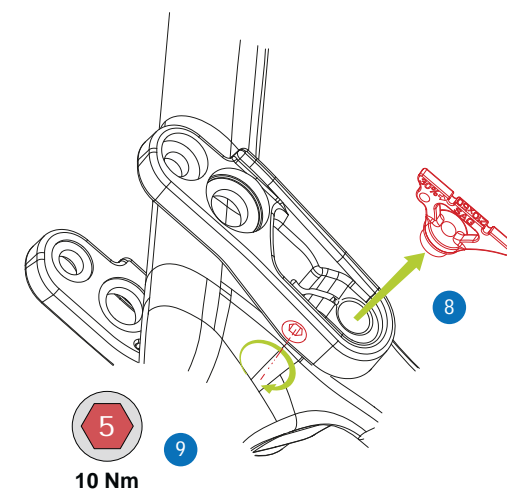
6/7 Installez la biellette droite. Enfilez l'outil de précontrainte dans l'axe et faites-le pivoter jusqu'à ce que la biellette droite soit correctement installée. L'axe ne doit pas être visible entre la biellette et le cadre.



8. Retirez l'outil et la rondelle de précontrainte.

9. Appliquez une petite quantité de frein-filet de force moyenne à la vis de la biellette. Serrez la vis au couple de serrage recommandé.

10. Vérifiez qu'il n'y a pas de jeu latéral au niveau des biellettes.

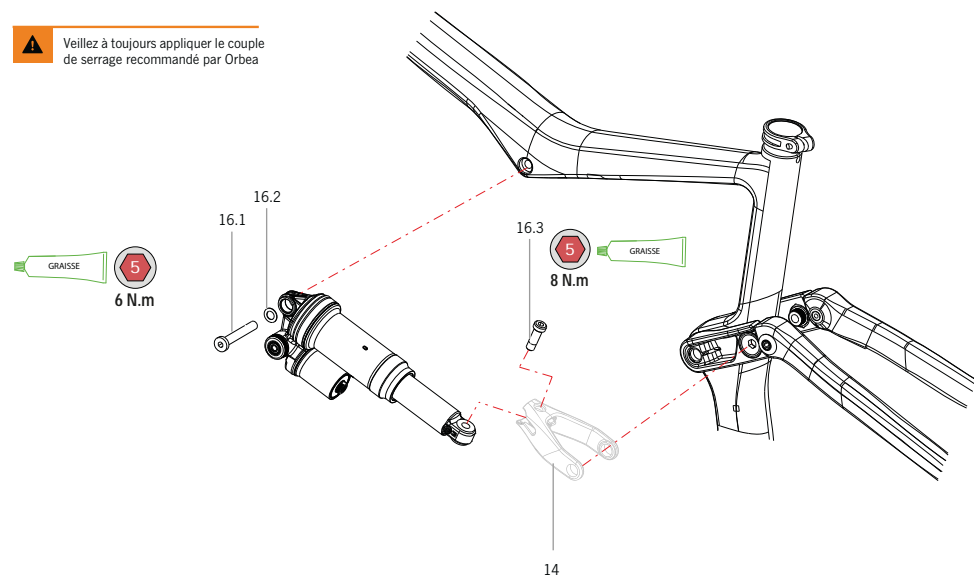


### 15 OUTIL DE PRÉCONTRAINTÉ BIELLETTE OCCAM-RISE

ART N°	DESCRIPTION	QTE.
15.1	OUTIL DE PRÉCONTRAINTÉ BIELLETTE-SAG	1
15.2	RONDELLE DE PRÉCONTRAINTÉ	1

## MONTAGE DE L'AMORTISSEUR

⚠ Veillez à toujours appliquer le couple de serrage recommandé par Orbea



### 14 RALLONGE AMORTISSEUR RISE

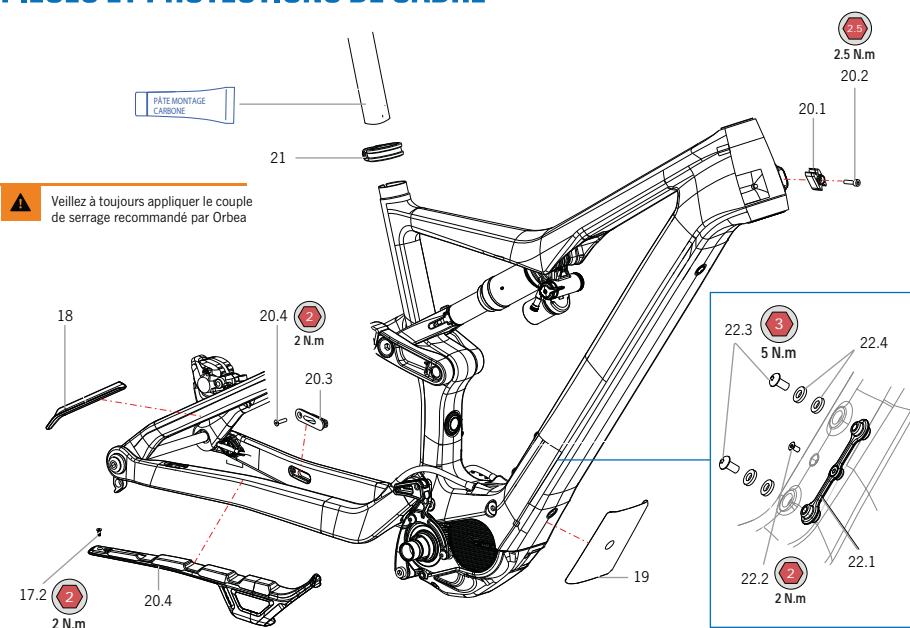
ART N°: X2120000	QTE.
RALLONGE AMORTISSEUR RISE	1

### 16 KIT DE MONTAGE AMORTISSEUR RISE

ART N°: X2130000	QTE.
16.1 VIS CADRE-AMORTISSEUR	1
16.2 RONDELLE CADRE-AMORTISSEUR	1
16.3 VIS AMORTISSEUR-RALLONGE	1

## PIÈCES ET PROTECTIONS DE CADRE

⚠ Veillez à toujours appliquer le couple de serrage recommandé par Orbea



### 17 PROTECTION CAOUTCHOUC BASE DROITE RISE

ART N°: X2160000	QTE.
17.1 PROTECTION CAOUTCHOUC BASE RISE	1
17.2 VIS M3x12 TÊTE FRAISÉE	1

### 18 PROTECTEUR ADHÉSIF CAOUTCHOUC HAUBAN

ART N°: X2170000	QTE.
PROTECTEUR ADHÉSIF CAOUTCHOUC HAUBAN	1

### 19 PROTECTEUR ADHÉSIF TRANSPARENT TUBE DIAGONAL

ART N°: X2160000	QTE.
PROTECTEUR ADHÉSIF TRANSPARENT TUBE DIAGONAL	1

### 20 GUIDES DE CÂBLES MANETTE-FREIN RISE

ART N°: X2190000	QTE.
20.1 GUIDE DE CÂBLES TUBE DIRECTION	1
20.2 VIS M3x15	1
20.3 GUIDE CÂBLES FREIN-BASE	1
20.4 VIS M3x12 TÊTE FRAISÉE	1
20.5 SERRE-CÂBLE 2.5x100	1

### 21 COLLIER SERRAGE TIGE DE SELLE 34.9mm NOIR

ART N°: X2020000	QTE.
COLLIER SERRAGE TIGE DE SELLE 34.9mm NOIR	1

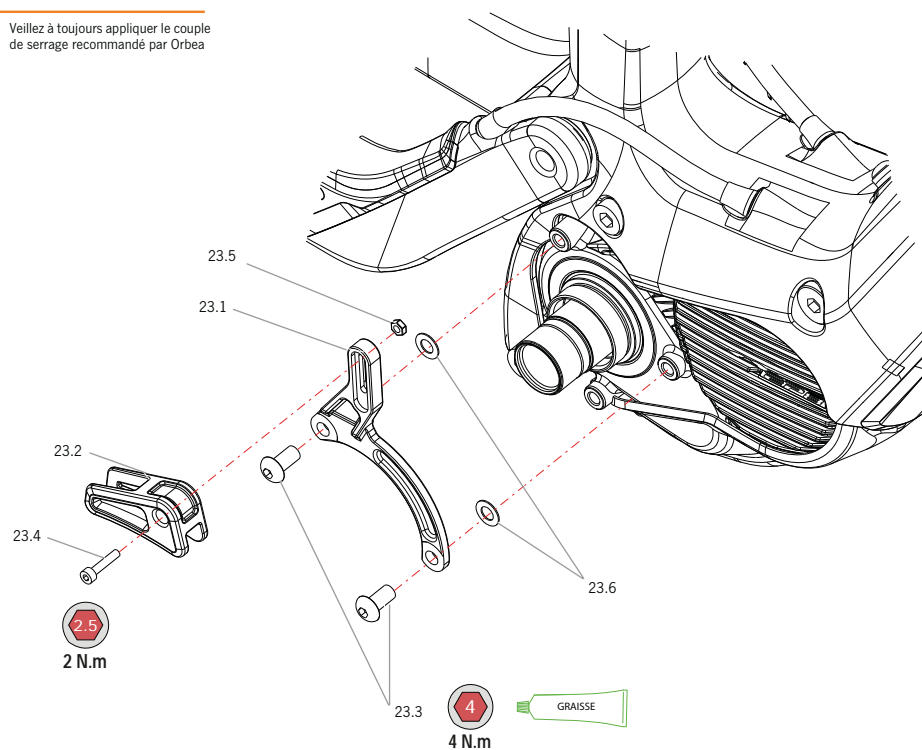
### 22 KIT PLAQUE INTERNE PORTE-BIDON

ART N°: X2270000	QTE.
22.1 PLAQUE INTERNE PORTE-BIDON	1
22.2 VIS M3x8 DIN7991 CADRE	1
22.3 VIS PORTE-BIDON M5x10	2
22.4 RONDELLE 6.2x10x2	4

**ATTENTION** Utilisez toujours les rondelles d'origine pour l'installation du porte-bidon ou du Range Extender.

## GUIDE-CHAÎNE

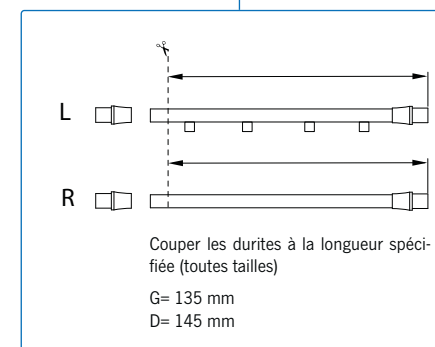
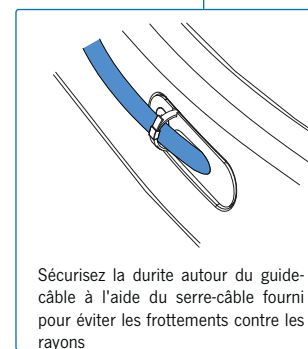
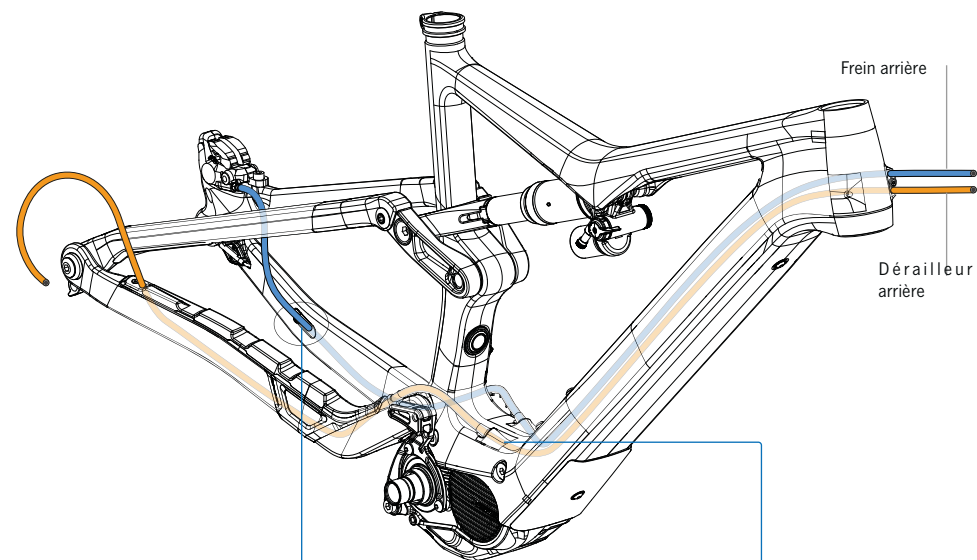
⚠ Veillez à toujours appliquer le couple de serrage recommandé par Orbea



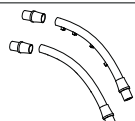
## 23 KIT GUIDE-CHAÎNE RISE

ART N°: X2210000		QTE.
	23.1 SUPPORT GUIDE-CHAÎNE RISE	1
	23.2 GUIDE-CHAÎNE	1
	23.3 VIS FIXATION MOTEUR EP8	2
	23.4 VIS M3X15	1
	23.5 ÉCROU FIXATION M3 GUIDE-CHAÎNE	1
	23.6 RONDELLE M6	2

## PASSAGE DES CÂBLES DE DÉRAILLEUR ET DE FREIN ARRIÈRE



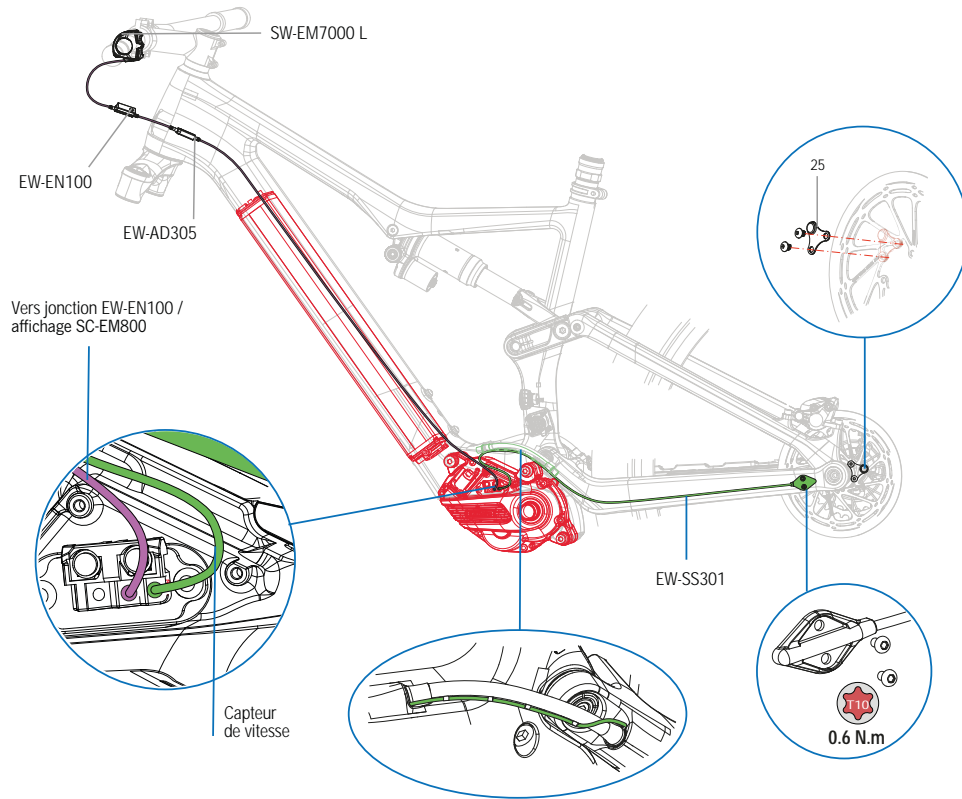
## 24 KIT DURITES FS BRAS OSCILLANT RISE

ART N°: X2020000		QTE.
	DURITE FS (LONGUEUR UNIQUE)	1
	CAPTEUR CLIP DURITE FS (LONGUEUR UNIQUE)	1
	EMBOUT DURITE FS	2



## CÂBLAGE DES COMPOSANTS DU SYSTÈME SHIMANO EP8

### MONTAGES AVEC JONCTION EW-EN100 (SANS AFFICHAGE)



#### 25 CAPTEUR DE VITESSE AIMANT DISQUE 6 VIS

ART N°: X2400000	QTE.
CAPTEUR DE VITESSE AIMANT DISQUE 6 VIS	1



#### ATTENTION

L'installation de composants du système d'assistance électrique nécessite des connaissances techniques avancées qui peuvent aller au-delà des compétences de la plupart des utilisateurs. Emmenez toujours votre vélo chez un revendeur agréé pour le diagnostic, la réparation et l'installation des composants du système électrique.

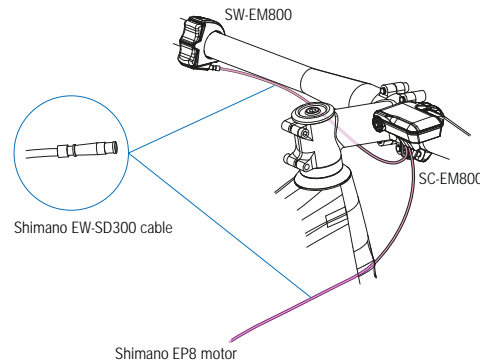
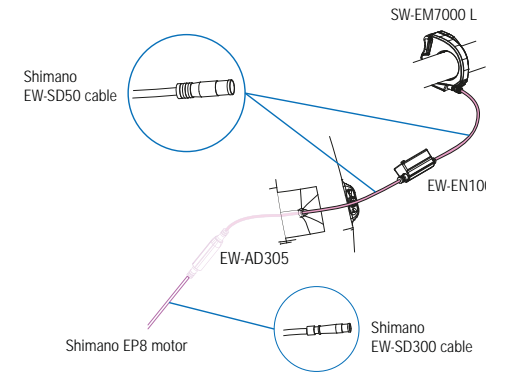
Les dommages aux composants résultant d'une installation incorrecte peuvent annuler la garantie de ces composants.

### DIFFÉRENCES DE CÂBLAGE ENTRE LES MONTAGES AVEC JONCTION EW-EN100 (SANS AFFICHAGE) ET AVEC ÉCRAN SC-EM800 (OPTION)

Les montages dotés de la jonction Shimano EW-EN100 utilisent des câbles Shimano STEPS/Di2 EW-SD50 standard pour relier la manette au guidon à la jonction.

Un câble SD50 standard relie la jonction à un adaptateur EW-AD305 à l'intérieur du cadre pour convertir le câble Di2 standard en un câble SW-SD300 plus petit, qui se connecte au moteur EP8 RS.

Les câbles EW-SD300 sont le standard Shimano pour les connexions dans les systèmes EP8.



Les montages avec affichage SC-EM800 utilisent le nouveau standard de câble EW-SD300 pour relier la manette de changement de mode d'assistance à l'affichage et au moteur ; l'adaptateur EW-AD305 n'est pas nécessaire à l'intérieur du cadre.

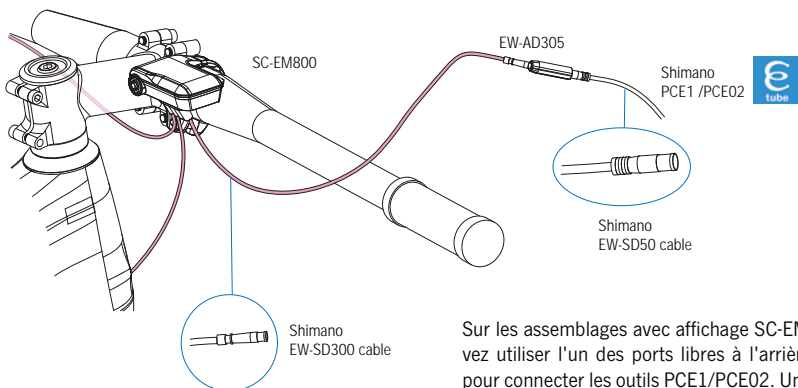
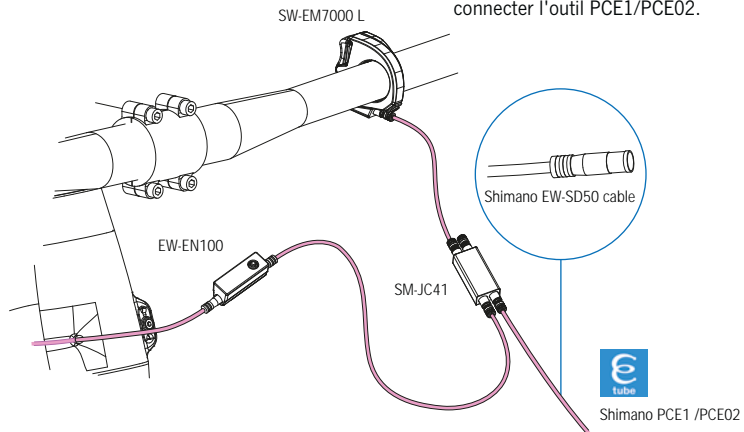
## CONNEXION DU SYSTÈME EP8 RISE À ETUBE PROFESSIONAL VIA PCE1 / PCE02. INFORMATIONS POUR LES DISTRIBUTEURS

En tant qu'utilisateur, n'oubliez pas que vous pouvez utiliser l'application mobile Etube Project pour connecter votre vélo, personnaliser le système et effectuer certains diagnostics.

Pour accéder à toutes les informations Shimano EP8 sur Etube, mettez à jour votre logiciel à la version Etube Project V4 :

**ATTENTION** La connexion et les diagnostics système à l'aide des outils professionnels Etube Pro doivent être effectués par un revendeur agréé.

<https://bike.shimano.com/en-EU/e-tube/project.html>  
Sur les montages utilisant la jonction EW-EN100, une jonction SM-JC41 et un câble SD50 supplémentaire seront nécessaires pour rajouter un port supplémentaire auquel connecter l'outil PCE1/PCE02.



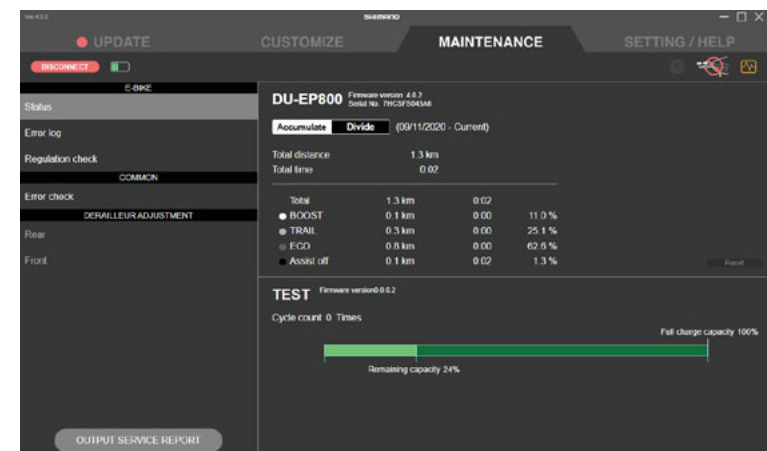
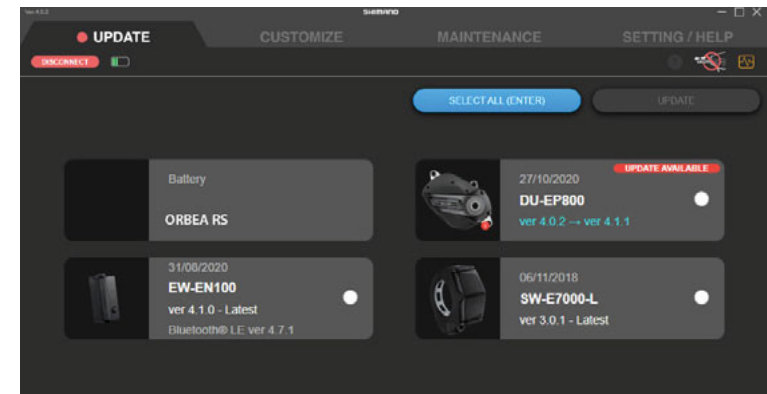
Sur les assemblages avec affichage SC-EM800, vous pouvez utiliser l'un des ports libres à l'arrière de l'affichage pour connecter les outils PCE1/PCE02. Un adaptateur EW-AD305 et un câble SD300 supplémentaire seront nécessaires pour convertir la connexion en un câble SD50 standard, afin d'établir la connexion avec l'outil de diagnostic.

## BATTERIE ORBEA RS DANS ETUBE PROFESSIONAL

La batterie Orbea RS est visible dans Etube Professional V4 lorsque le système EP8 RS est connecté à l'aide de l'outil de diagnostic Shimano PCE1 ou PCE02.

Dans l'onglet Entretien de l'outil de diagnostic PCE02, vous pouvez accéder aux informations utiles concernant la batterie, telles que la version logicielle et les cycles de charge.

**ATTENTION** Référez-vous à la section Informations utiles sur les batteries RS pour en savoir plus sur l'entretien et le diagnostic des batteries RS.



## CÂBLAGE DES COMPOSANTS ORBEA RS

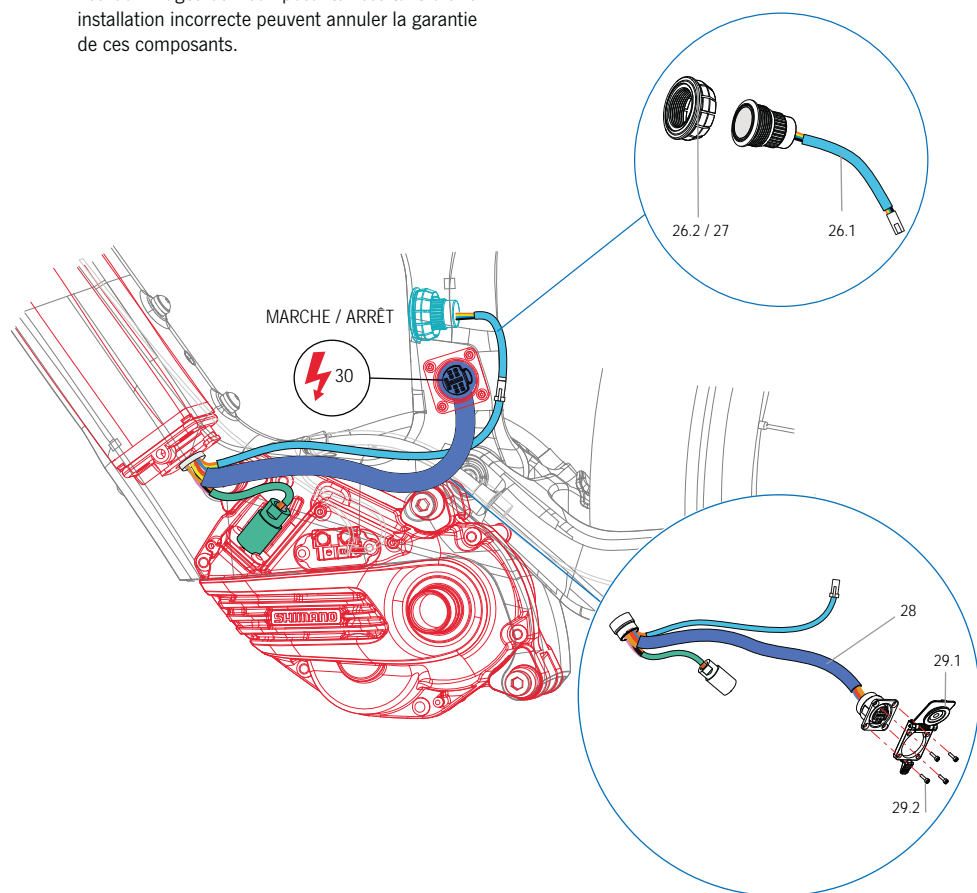
ATTENTION



L'installation de composants du système d'assistance électrique nécessite des connaissances techniques avancées qui peuvent aller au-delà des compétences de la plupart des utilisateurs. Emmenez toujours votre vélo chez un revendeur agréé pour le diagnostic, la réparation et l'installation des composants du système électrique.

Les dommages aux composants résultant d'une installation incorrecte peuvent annuler la garantie de ces composants.

Le Rise utilise des composants exclusifs à Orbea pour connecter la batterie interne RS au moteur. Le chargeur et le port de charge sont également uniques au système RS.



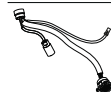
### 26 BOUTON MARCHÉ RISE

ART N°: X2360000	QTÉ.
26.1 BOUTON MARCHÉ + CÂBLE	1
26.2 CLIP DE SUPPORT BOUTON MARCHÉ TUBE SELLE	1



### 28 PORT DE CHARGE ET HARNAIS ÉLECTRIQUE RS

ART N°: X2380000	QTÉ.
Le harnais électrique RS relie dans une unité le port de charge, le câble de connexion au moteur et la batterie.	1



### 30 CHARGEUR BATTERIE RS 36V 2A

X2320000	CHARGEUR BATTERIE RS 36V 2A (EU)
X2320100	CHARGEUR BATTERIE RS 36V 2A (USA)
X2320200	CHARGEUR BATTERIE RS 36V 2A (UK)
X2320300	CHARGEUR BATTERIE RS 36V 2A (AUS)

Chaque code article comprend le chargeur RS et le câble secteur spécifique.



### 27 SUPPORT DE CLIP BOUTON MARCHÉ RISE

ART N°: X2370000	QTÉ.
CLIP DE SUPPORT BOUTON MARCHÉ TUBE SELLE	1



### 29 CAPOT DU PORT DE CHARGE RISE

ART N°: X2390000	QTÉ.
29.1 CAPOT DU PORT DE CHARGE RISE	1
29.2 VIS M2x8	4

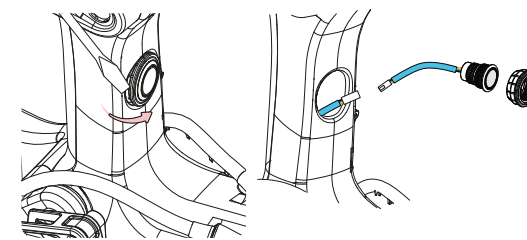


## REPLACEMENT DES COMPOSANTS

### REPLACEMENT DU BOUTON MARCHÉ

Il est possible de remplacer le bouton marche du Rise sans démonter le moteur EP8 RS. Utilisez un tournevis plat fin pour desserrer le support de clip du tube de selle, en prenant soin de ne pas endommager la peinture.

Tirez doucement sur le câble et déconnectez le câble du bouton marche du harnais électrique. Réinstallez un nouveau bouton et pressez fermement le support de clip dans le tube de selle.



### REPLACEMENT DU HARNAIS ÉLECTRIQUE

Pour remplacer le harnais électrique (qui comprend le port de charge et les câbles de connexion à la batterie RS interne) au moteur et au bouton marche, il est nécessaire de retirer le moteur.

Après avoir retiré le moteur, débranchez le câble de la batterie, du moteur et du bouton marche et retirez le harnais électrique par l'ouverture du port de charge.

L'installation d'un nouveau harnais électrique doit être effectuée en faisant passer le câble à travers l'ouverture du port de charge, en passant les extrémités de connexion à la batterie, au moteur et au bouton marche en premier.

ATTENTION



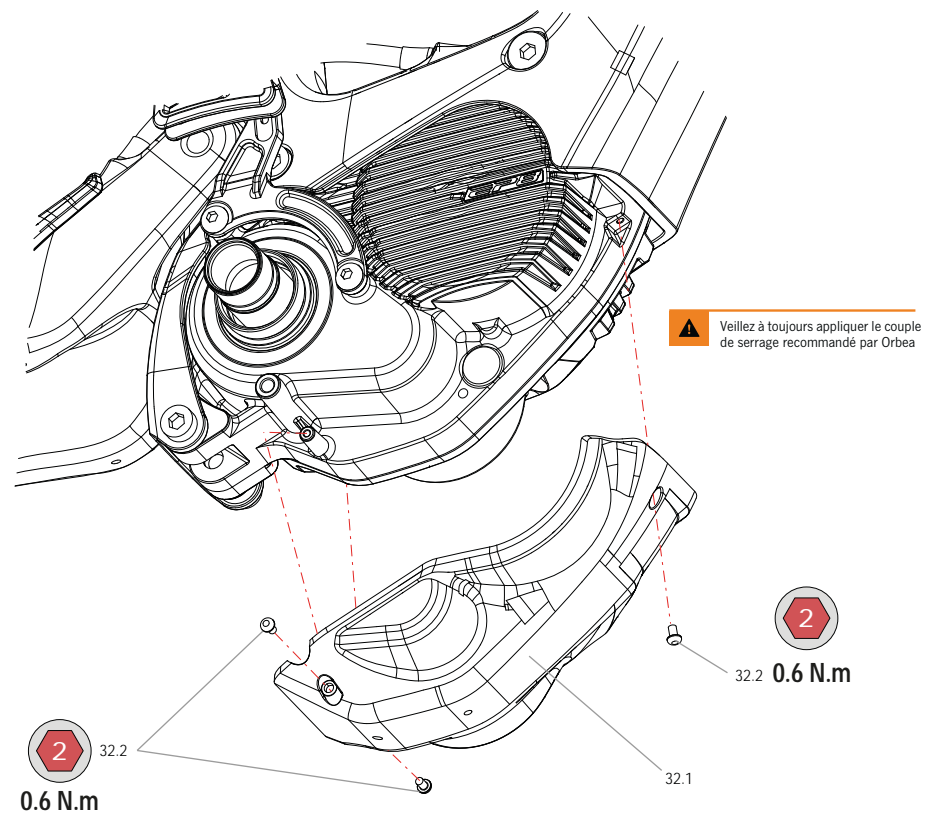
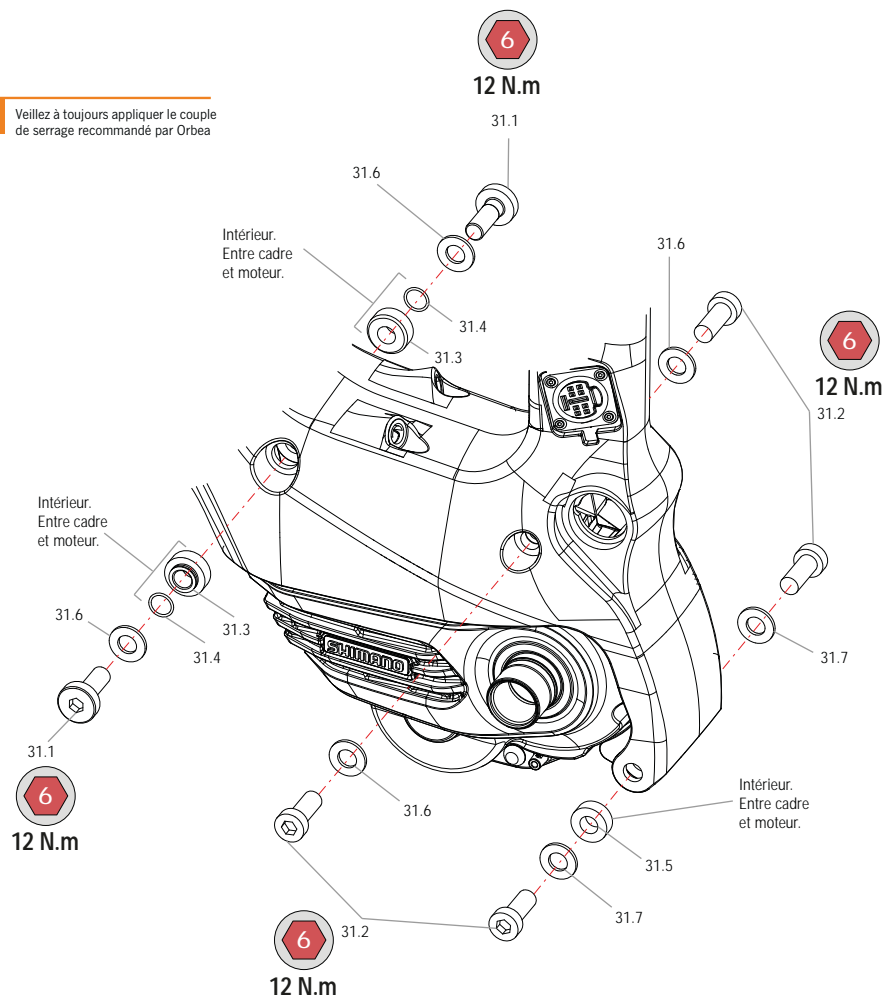
L'installation de composants du système d'assistance électrique nécessite des connaissances techniques avancées qui peuvent aller au-delà des compétences de la plupart des utilisateurs.

Emmenez toujours votre vélo chez un revendeur agréé pour le diagnostic, la réparation et l'installation des composants du système électrique.





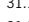
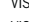




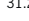













Les dommages aux composants résultant d'une installation incorrecte peuvent annuler la garantie de ces composants.

# MONTAGE DU MOTEUR SHIMANO EP8 RS



**⚠** Veuillez à toujours appliquer le couple de serrage recommandé par Orbea



## 31 KIT FIXATION MOTEUR EP8 RS RISE

ART N°: X2310000		QTÉ.
     	31.1 VIS FIXATION MOTEUR M8x22 12Nm	2
     	31.2 VIS FIXATION MOTEUR M8 1.25 FILETAGE 12Nm	4
   	31.3 ENTRETOISE AVANT MOTEUR	2
 	31.4 JOINT TORIQUE 10x1	2
	31.5 ENTRETOISE ARRIÈRE MOTEUR	1
   	31.6 RONDELLE 13mm	4
 	31.7 RONDELLE M8 DIN 125 DS	2

## 32 CACHE MOTEUR EP8

ART N°: X2300000		QTÉ.
	32.1 CACHE INFÉRIEUR MOTEUR EP8	1
	32.2 VIS FIXATION CACHE	3

## BATTERIE INTERNE RS

**ATTENTION** Référez-vous aux recommandations concernant l'entretien, l'utilisation, la charge et le stockage des batteries RS dans les sections Entretien et Mises en garde concernant l'utilisation du système d'assistance électrique de ce manuel.

Consultez également les instructions de charge, de mise en marche et de vérification du niveau de charge de la batterie dans la section Utilisation de Rise de ce manuel.

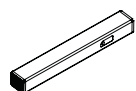
Veuillez vous référer à la section Informations utiles concernant les batteries RS pour plus d'indications sur l'utilisation, l'entretien et les procédures de dépannage de la batterie interne et du Range Extender.

### CARACTÉRISTIQUES TECHNIQUES DE LA BATTERIE INTERNE RS

TENSION	36V
CAPACITÉ	360 Wh
POIDS	2.2 kg
CELLULES	LITHIUM-ION. 21700
TEMPS DE CHARGE (2A)	5 HEURES.
MONTAGE	INTERNE. TUBE DIAGONAL
CONNEXION	CÂBLES AU MOTEUR, PORT DE CHARGE ET BOUTON MARCHÉ

#### 33 BATTERIE INTERNE ORBEA RS 360 Wh 36V

ART N°: X2220000	QTE.
------------------	------



La batterie interne RS est disponible auprès d'un revendeur Orbea agréé en tant que pièce de garantie ou de remplacement en raison de l'usure naturelle.

1

#### 34 KIT DE SUPPORT BATTERIE INTERNE RISE

ART N°: X2280000	QTE.
------------------	------

34.1	SUPPORT ALUMINIUM BATTERIE INTERNE AU CADRE	2
34.2	VIS FIXATION DU SUPPORT DE BATTERIE	6
34.3	VIS DE FIXATION DU SUPPORT AU CADRE M6x12	2
34.4	RONDELLE 6x11x0.5	2

#### 35 VIS FIXATION BATTERIE INTERNE RISE

ART N°: X2470000	QTE.
------------------	------



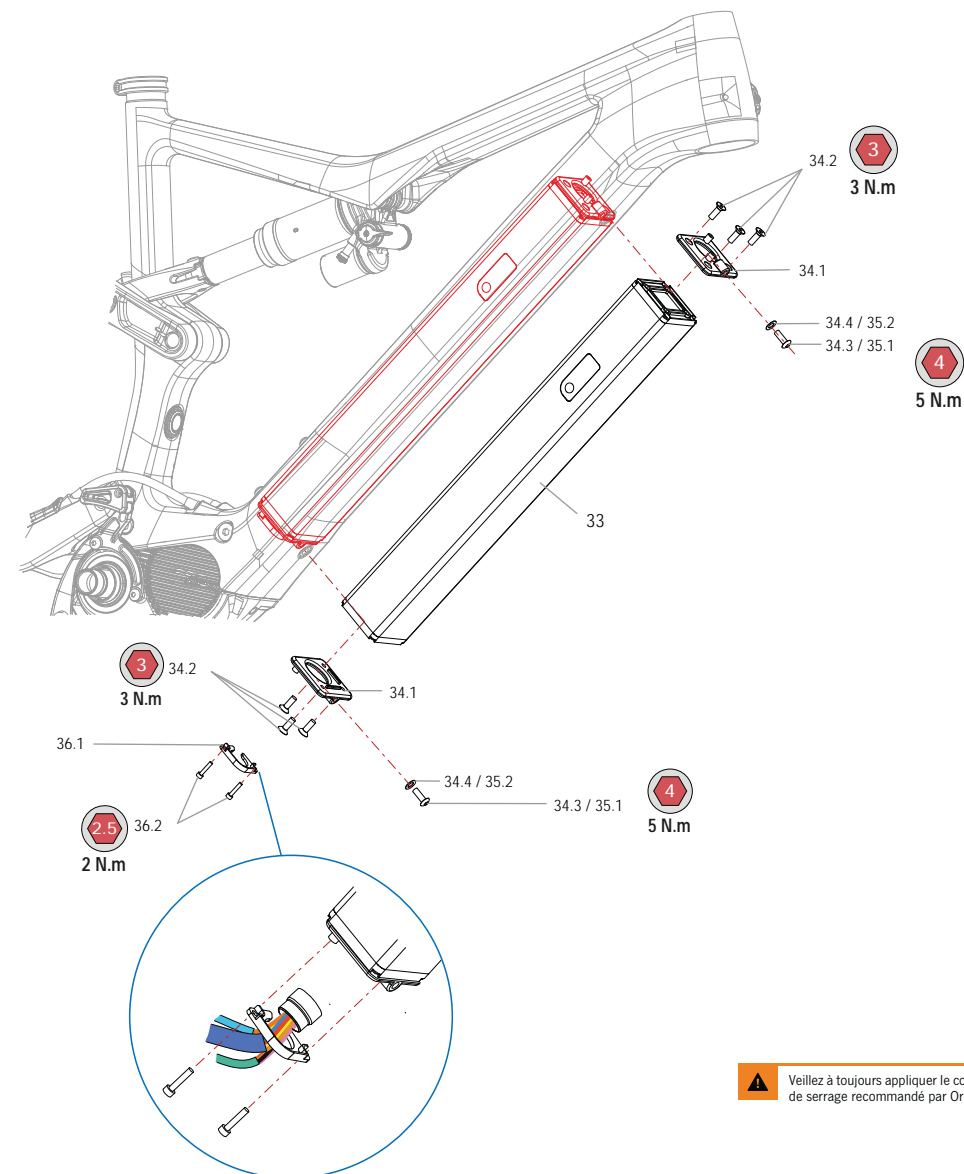
35.1	34.3 VIS DE FIXATION DU SUPPORT AU CADRE M6x12	2
35.2	RONDELLE 6x11x0.5	2

#### 36 PLAQUE FIXATION CÂBLE BATTERIE

ART N°: X2290000	QTE.
------------------	------

36.1	PLAQUE FIXATION CÂBLE BATTERIE	1
36.2	VIS DE FIXATION	2

## MONTAGE DE LA BATTERIE INTERNE RS DANS LE CADRE



**⚠** Veillez à toujours appliquer le couple de serrage recommandé par Orbea

## RETRAIT DE LA BATTERIE INTERNE RS. INFORMATIONS POUR LES DISTRIBUTEURS

### ATTENTION



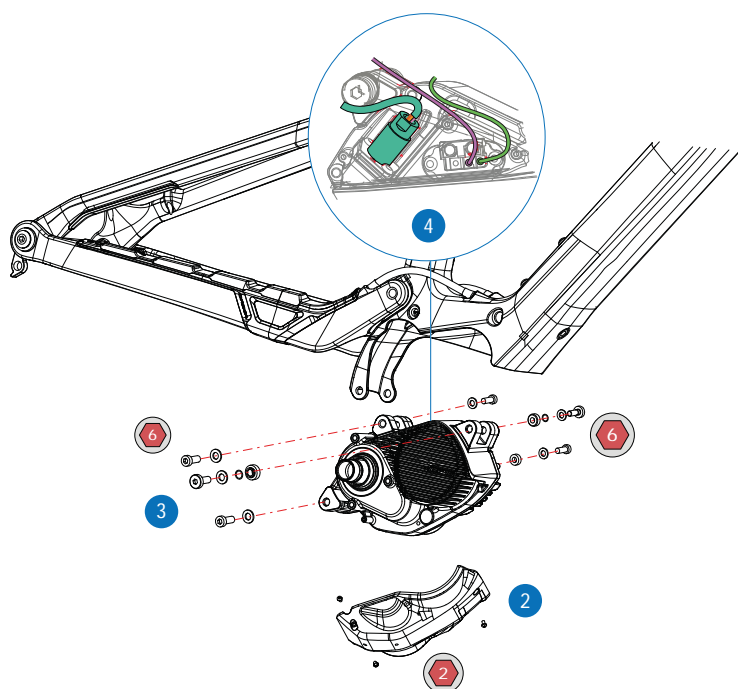
L'installation de composants du système d'assistance électrique nécessite des connaissances techniques avancées qui peuvent aller au-delà des compétences de la plupart des utilisateurs.

Emmenez toujours votre vélo chez un revendeur agréé pour le diagnostic, la réparation et l'installation des composants du système électrique.

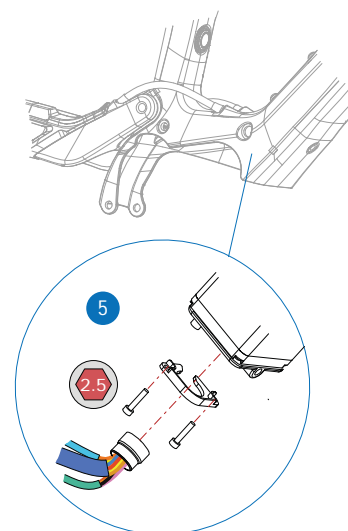
Les dommages aux composants résultant d'une installation incorrecte peuvent annuler la garantie de ces composants.

Orbea recommande que seuls les revendeurs agréés effectuent le retrait et/ou le remplacement de la batterie interne RS, car cela nécessite le démontage des principaux composants du vélo et du système électrique. Si vous voyagez avec votre vélo et que vous devez retirer la batterie, emmenez toujours votre vélo chez un revendeur Orbea pour éviter d'endommager les matériaux et pour garantir le fonctionnement correct et sûr de tous les composants.

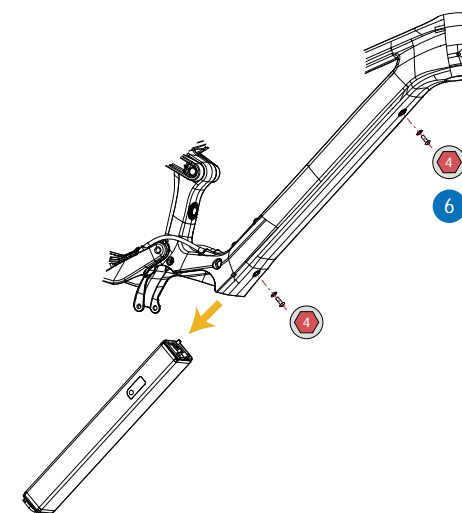
1. Retirez les manivelles et le plateau du moteur EP8 RS.
2. Retirez le cache du moteur.
3. Retirez toutes les vis, rondelles et entretoises de fixation.
4. Tenez le moteur pour éviter de tirer sur les câbles et débranchez le câble d'alimentation du moteur et les câbles du capteur de vitesse et de l'affichage.



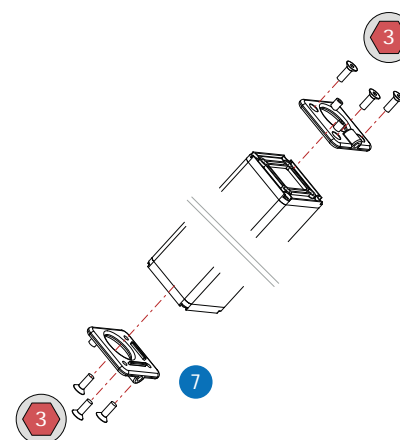
5. Avec la batterie à l'intérieur du cadre, retirez la plaque de fixation du câble de la batterie, et déconnectez le câble.



6. Retirez les vis de fixation de la batterie sur le tube diagonal et retirez délicatement la batterie pour éviter d'endommager les câbles à l'intérieur du tube diagonal.
7. Si vous remplacez la batterie, retirez les supports de fixation de la batterie au tube diagonal.



8. Pour réinstaller la batterie dans le cadre, inversez la procédure. Vous pouvez consulter l'ordre de montage des différents composants et les couples de serrage recommandés dans les vues éclatées de ce manuel.



## BATTERIE EXTERNE ORBEA RS RANGE EXTENDER

La batterie externe Orbea RS Range Extender est un prolongateur d'autonomie qui se connecte au système d'assistance électrique pour lui fournir une capacité supplémentaire de 252 Wh. Ceci porte la capacité totale, avec la batterie interne, à 612 Wh. Ainsi, la batterie Range Extender augmente de 70% l'autonomie obtenue avec la batterie interne uniquement.

### CARACTÉRISTIQUES TECHNIQUES DU RANGE EXTENDER

TENSION	36V
CAPACITÉ	252 Wh
POIDS	1.4 kg
CELLULES	LITHIUM-ION. 18650
TEMPS DE CHARGE (2A)	3.5 HEURES.
MONTAGE	PORTE-BIDON DÉDIÉ SUR LE TUBE DIAGONAL
CONNEXION	CÂBLE RANGE EXTENDER AU PORT DE CHARGE RISE

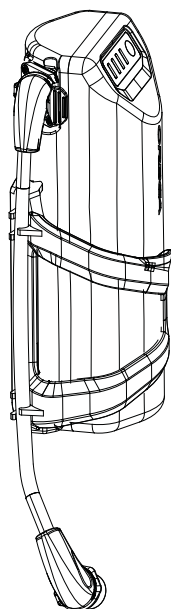
### MONTAGE DU RANGE EXTENDER

Installez le porte-bidon spécifique du Range Extender sur le tube diagonal en serrant les vis de fixation à un couple de 5 Nm.

Lors de l'installation du porte-bidon Range Extender, retirez les quatre rondelles préassemblées sur le cadre et vérifiez qu'une fois le porte-bidon installé, les six points de contact reposent correctement sur le tube diagonal.

Installez la batterie Range Extender dans le porte-bidon et fixez-la avec l'élastique de sécurité.

Le porte-bidon Range Extender est compatible avec l'utilisation de bidons standard lorsque le Range Extender n'est pas monté sur le vélo.



### CONNEXION DU RANGE EXTENDER AU RISE

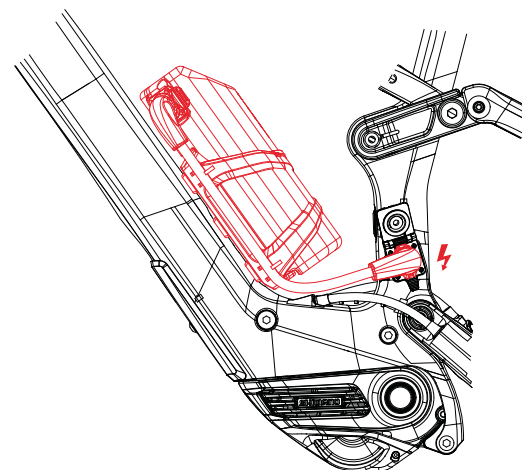
Raccordez le câble de connexion du Range Extender au port de charge du Range Extender. Ouvrez le capot du port de charge du Rise et connectez l'extrémité libre du câble du Range Extender.

#### ATTENTION

Si votre Rise est allumé lorsque vous branchez le Range Extender dans le port de charge du vélo, le système électrique s'arrêtera et vous devrez rallumer le Rise. Ceci permet au système de redémarrer et de reconnaître le Range Extender comme faisant partie du bloc d'alimentation.

Si vous étiez en train d'enregistrer une activité via Garmin Connect à l'aide de l'application Orbea RS Toolbox, l'enregistrement des données Rise dans Garmin Connect ne sera pas interrompu. L'enregistrement des données d'activité continuera lorsque vous recommencerez à utiliser le vélo.

Le Range Extender sera opérationnel dès que vous démarrez le vélo avec le Range Extender connecté. Vous n'avez pas besoin d'allumer le Range Extender.



### FONCTIONNEMENT DU RANGE EXTENDER

Le Range Extender alimente directement le moteur Shimano EP8 RS. Lors de l'utilisation du Rise avec le Range Extender connecté, seul le Range Extender fournira du courant au moteur, et ceci jusqu'à ce que sa charge soit épuisée. Une fois le Range Extender épuisé, la batterie interne reprendra l'alimentation du moteur s'il lui reste de la charge.

## AFFICHAGE DU NIVEAU DE CHARGE

### NIVEAU DE CHARGE COMBINÉ

Lorsque le Range Extender est connecté au Rise et après la mise en marche du vélo, le système calculera la capacité totale des deux batteries (612 Wh). Les informations sur la charge restante du système prendront en compte les niveaux de charge des deux batteries.

Le niveau de charge combiné sera affiché sur la jonction EW-EN100, l'écran SC-EN800 ou le champ de données Orbea RS Toolbox sur les appareils Garmin compatibles.

Référez-vous à la section Affichage du niveau de charge de la batterie, dans le chapitre Utilisation du Rise de ce manuel pour plus de détails sur les différents modes d'affichage du niveau de charge de la batterie.

### EXEMPLES :

BATTERIE	NIVEAU DE CHARGE DE LA BATTERIE	NIVEAU DE CHARGE DU SYSTÈME
Batterie interne RS (360Wh)	50% (180 Wh)	50% (306 Wh sur 612 Wh)
Range Extender (252 Wh)	50% (126 Wh)	

BATTERIE	NIVEAU DE CHARGE DE LA BATTERIE	NIVEAU DE CHARGE DU SYSTÈME
Batterie interne RS (360Wh)	100% (360 Wh)	79% (486 Wh sur 612 Wh)
Range Extender (252 Wh)	50% (126 Wh)	

### NIVEAU DE CHARGE DU RANGE EXTENDER UNIQUEMENT

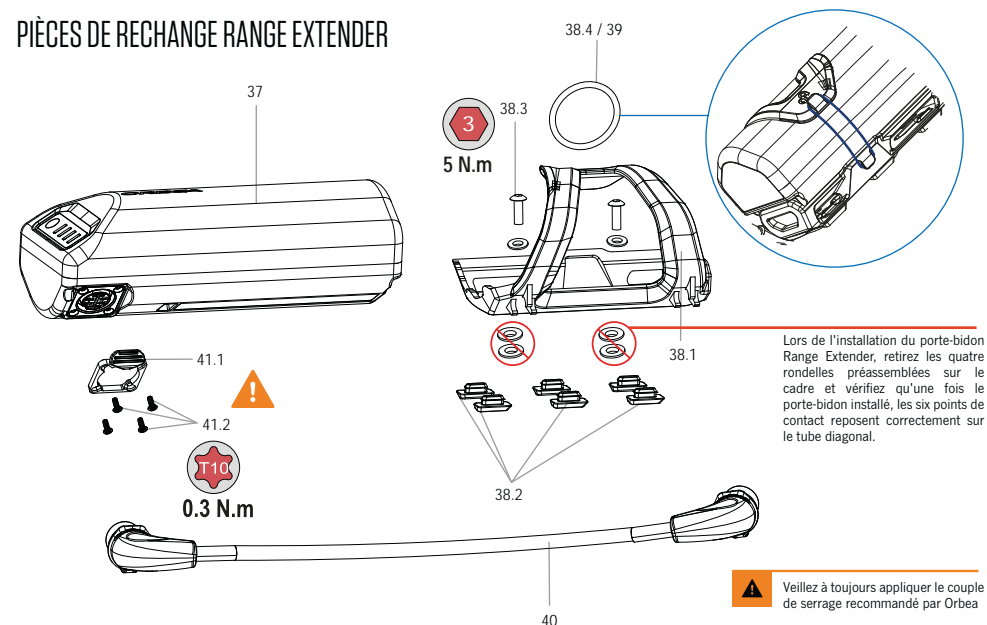
Référez-vous à la section Affichage du niveau de charge de la batterie, dans le chapitre Utilisation du Rise de ce manuel pour plus de détails sur les différents modes d'affichage du niveau de charge de la batterie.

### CHARGER LE RANGE EXTENDER

Référez-vous à la section Charge des batteries du chapitre Utilisation du Rise de ce manuel pour plus d'informations concernant la procédure de charge du Range Extender et de la batterie interne.

**ATTENTION** Veuillez vous référer à la section Informations utiles concernant les batteries RS pour plus d'indications sur l'utilisation, l'entretien et les procédures de dépannage de la batterie interne et du Range Extender.

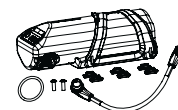
## PIÈCES DE RECHANGE RANGE EXTENDER



**ATTENTION** Utilisez toujours les rondelles d'origine pour l'installation du porte-bidon ou du Range Extender.

### 37 BATTERIE RS RANGE EXTENDER 252 WH

ART N°: YD22



Toutes les pièces nécessaires au montage de la batterie Range Extender sur votre Rise sont incluses.

Batterie Range Extender 252Wh  
Languette port de charge RE  
Support porte-bidon Range Extender  
Protections caoutchouc

Vis de fixation cadre M5x10  
Câble de connexion au port de charge  
Élastique de sécurité

### 38 SOPORTE RANGE EXTENDER

Compatible avec bidons standard

ART N°: X2230000



QTE.	DESCRIPTION
1	38.1 SUPPORT RANGE EXTENDER
6	38.2 PROTECTEUR DE CADRE CAOUTCHOUC
2	38.3 VIS M5x10
1	38.4 ÉLASTIQUES DE SÉCURITÉ 40x3.5

### 39 KIT ÉLASTIQUES DE SÉCURITÉ RANGE EXTENDER

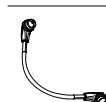
ART N°: X2240000



QTE.	DESCRIPTION
4	39.1 ÉLASTIQUES DE SÉCURITÉ 40x3.5

### 40 CÂBLE DE CONNEXION RANGE EXTENDER

ART N°: X2250000



QTE.	DESCRIPTION
1	CÂBLE DE CONNEXION RANGE EXTENDER

### 41 LANGUETTE PORT DE CHARGE RANGE EXTENDER

ART N°: CONTACTER ORBEA



QTE.	DESCRIPTION
1	41.1 LANGUETTE PORT DE CHARGE RANGE EXTENDER
4	41.2 VIS M2x8

**!** Ne désinstallez pas et ne modifiez pas la languette du port de charge du Range Extender. Cela pourrait endommager la batterie et annuler la garantie. Si la languette du port de charge doit être remplacée, veuillez contacter Orbea.



## 12 INFORMATIONS UTILES SUR LES BATTERIES RS



Pour votre sécurité, lisez l'intégralité du manuel d'utilisation avant d'utiliser les batteries et chargeurs Orbea RS.

Veillez contacter Orbea ou un revendeur agréé pour plus d'informations sur l'installation et les réglages de produits qui ne figurent pas dans ce manuel.



Veillez respecter en tout temps les informations suivantes pour éviter des blessures ou des dommages matériels et à l'environnement.

Les informations contenues ci-dessous s'appliquent à la fois à la batterie interne RS et au Range Extender.

### CONSIGNES DE SÉCURITÉ ET AVERTISSEMENTS CONCERNANT LA BATTERIE

- Lors de la charge de la batterie, utilisez uniquement le chargeur RS dédié et respectez les conditions de charge indiquées. Le non-respect de cette consigne peut entraîner la surchauffe, l'explosion ou l'inflammation de la batterie.
- Ne laissez pas la batterie à proximité de sources de chaleur telles que des appareils de chauffage, des véhicules ou tout endroit dangereux.
- Ne chauffez pas la batterie et ne la jetez pas au feu.
- Ne pas déformer, modifier, démonter ou appliquer de la soudure directement sur la batterie.
- Ne connectez pas les bornes (+) et (-) et les autres bornes avec des objets métalliques. Ne transportez pas et ne stockez pas la batterie avec des objets métalliques tels que des colliers ou des épingles à cheveux. Cela pourrait entraîner des courts-circuits, une surchauffe, des brûlures ou d'autres blessures.
- N'immergez pas la batterie dans l'eau et évitez de mouiller les bornes de la batterie. Le non-respect de cette consigne peut entraîner la surchauffe, l'explosion ou l'inflammation de la batterie.

- Ne percez pas et n'écrasez pas la batterie.
- Si du liquide provenant de la batterie entre en contact avec les yeux, la peau ou les vêtements, lavez immédiatement les zones touchées avec beaucoup d'eau claire et consultez immédiatement un médecin. Le liquide de la batterie peut provoquer des lésions aux yeux et au corps.
- Si la batterie ne se charge pas complètement dans le temps de charge indiqué de 5 heures, plus 2 heures supplémentaires (3.5 heures + 2 heures pour le Range Extender), débranchez la batterie du chargeur et contactez immédiatement un revendeur agréé.
- N'utilisez pas la batterie si elle présente des dommages externes.
- N'utilisez pas la batterie si vous constatez des fuites, une décoloration, une déformation ou toute autre anomalie.
- Ne chargez pas la batterie dans des endroits mouillés ou très humides, ou à l'extérieur.
- Ne jamais brancher ou débrancher la batterie si la prise est mouillée. Ceci pourrait provoquer des décharges électriques. Si le chargeur ou la prise secteur sont mouillés, séchez bien l'élément avant de le connecter.
- Ne stockez pas la batterie à la lumière directe du soleil ou dans des endroits soumis à une chaleur excessive (tels que l'intérieur d'une voiture par exemple). Pour éviter toute fuite, conservez la batterie à l'écart de la chaleur et des flammes.
- Manipulez le produit avec les deux mains afin d'éviter les risques de dommage et de blessure.
- Si une erreur se produit pendant la décharge ou la charge, veuillez arrêter immédiatement d'utiliser la batterie et référez-vous au manuel de l'utilisateur. En cas de doute, consultez Orbea ou un revendeur agréé.
- Ne nettoyez pas la batterie avec de l'eau à haute pression.
- N'utilisez jamais d'alcool, de solvants ou de nettoyeurs abrasifs pour nettoyer la batterie ou le chargeur. Utilisez un chiffon sec ou légèrement humide.

- Surveillez les enfants pour éviter qu'ils ne jouent avec la batterie ou le chargeur.
- Si la batterie explose, contactez immédiatement les pompiers et, si possible, retirez soigneusement les autres batteries. Évacuez immédiatement la zone d'incendie et éteignez le feu à l'aide d'une grande quantité d'eau froide (au minimum 10 fois le poids de la batterie).

### STOCKAGE DES BATTERIES

- Conservez les batteries dans un endroit sûr, hors de portée des enfants et des animaux domestiques.
- Le stockage de la batterie à des températures en dehors de la plage indiquée peut provoquer un incendie ou endommager la batterie.
- **Respectez la plage de température de stockage: 0 °C ~ 35 °C. Évitez les grandes amplitudes de température.**
- Si vous ne comptez pas utiliser la batterie pendant une longue période, stockez-la à environ 70% de capacité restante. Vérifiez le niveau de charge tous les 3 mois afin que la batterie ne se décharge pas complètement.
- Stockez la batterie ou les vélos avec la batterie installée dans un endroit frais et fermé (environ 0 °C ~ 35 °C), et non exposé à la lumière directe du soleil ou à la pluie. Par des températures de stockage basses ou élevées, les performances de la batterie se réduiront et l'autonomie par charge peut diminuer. Si vous n'utilisez pas la batterie pendant un certain temps, assurez-vous de la charger avant utilisation.
- Des températures supérieures à 70 °C peuvent provoquer des fuites et augmenter le risque d'incendie.

### UTILISATION DES BATTERIES

- Les plages de température de fonctionnement de la batterie sont indiquées ci-dessous. N'utilisez pas la batterie en dehors de ces plages de températures.

· L'utilisation de la batterie à des températures inférieures ou supérieures pourrait provoquer un incendie, des blessures ou endommager la batterie.

· **Respectez la plage de température suivante lors de la décharge (utilisation) de la batterie : -10°C ~ 50°C.**

· **Respectez la plage de température suivante lors de la charge de la batterie : 0°C ~ 40°C.**

· La batterie doit être chargée à température ambiante, sur une surface sèche et non-inflammable, à l'écart de toute source de chaleur, d'humidité ou de matériaux inflammables.

· Si la batterie a été chargée dans un environnement à basse température (0 °C ou inférieur), l'autonomie disponible par charge sera réduite.

· Si vous souhaitez transporter la batterie, n'oubliez pas que celle-ci est considérée comme une marchandise dangereuse selon les lois en vigueur. Utilisez un emballage et un transporteur agréés.

### MONTAGE DE LA BATTERIE

- N'utilisez pas la batterie immédiatement après avoir reçu la batterie ou le vélo. Assurez-vous qu'elle soit complètement chargée avant la première utilisation.
- Éteignez toujours la batterie et / ou le vélo avant d'installer ou de retirer la batterie du vélo.

### CHARGE ET CONSIGNES DE SÉCURITÉ

- La batterie n'est pas complètement chargée au moment de l'achat. Assurez-vous qu'elle soit complètement chargée avant la première utilisation.
- Utilisez uniquement le chargeur RS d'origine pour charger la batterie.

- Éteignez toujours le système et / ou la batterie avant de brancher ou débrancher le chargeur au vélo.

- Assurez-vous toujours que le port de charge et la prise secteur soient propres et secs avant de connecter le chargeur.

- N'utilisez jamais le chargeur si vous pensez qu'il est endommagé ou si vous savez qu'il est cassé.

- Ne démontez pas et ne modifiez pas le chargeur.

- Assurez-vous que le capot du port de charge soit toujours fermé lorsque la batterie n'est pas en charge.

- N'insérez pas d'objets métalliques dans le port de charge de la batterie.

- Évitez de mouiller le chargeur de la batterie ou de l'utiliser lorsqu'il est mouillé. Ne tenez pas le chargeur avec des mains mouillées afin d'éviter les décharges électriques.

- N'utilisez pas le chargeur lorsqu'il est recouvert d'un chiffon ou d'un autre matériau.

- Ne touchez pas les parties métalliques des batteries ou du chargeur afin d'éviter les décharges électriques.

- Ne chargez pas la batterie à l'extérieur ou dans des environnements très humides, et évitez toute exposition à la pluie ou au vent.

- Pour éviter d'endommager le câble, ne tenez pas le chargeur par le câble et évitez de l'enrouler autour du corps du chargeur lors du stockage.

- Ne pédalez pas et n'effectuez aucune opération de décharge de la batterie lorsque le chargeur est connecté.

- Retirez toujours le Range Extender avant de laver le vélo à l'eau ou tout autre type de liquide.

- Attendez une heure si vous souhaitez charger la batterie après avoir roulé. La température de la batterie peut être trop élevée.

- Il est recommandé de charger la batterie dans une zone équipée d'un détecteur de fumée.

- Il n'est pas recommandé de connecter la batterie en permanence au chargeur afin d'éviter tout dommage à la batterie en cas de défaillance des circuits de coupure de charge.

## RECYCLAGE

- Les batteries, accessoires et emballages doivent être triés en vue d'un recyclage éco-responsable.

- Les batteries lithium-ion sont des ressources précieuses et recyclables. Veuillez suivre les réglementations de recyclage des batteries en vigueur dans votre région. En cas de doute, consultez Orbea ou un revendeur agréé.

- Ne jetez pas la batterie avec les ordures ménagères. Elle sera acceptée au point de vente et correctement éliminée.

## CONDITIONS D'INVALIDATION DE LA GARANTIE

- Chargez la batterie tous les 3 mois au moins jusqu'à environ 70% de sa capacité, même si le vélo n'est pas utilisé.

- La garantie ne couvre pas les produits contre l'usure naturelle et la détérioration due à une utilisation normale et au vieillissement.

- La durée de vie de la batterie varie en fonction de facteurs tels que la méthode de stockage, les conditions d'utilisation, le milieu environnant et les caractéristiques individuelles de chaque batterie.

- Si la batterie est complètement déchargée, chargez-la dès que possible. Si la batterie n'est pas rechargée, elle risque de se détériorer et de devenir inutilisable.

- Ne démontez pas la batterie ou d'autres pièces associées, y compris la languette. Ceci pourrait entraîner l'invalidation de la garantie de la batterie.

- Référez-vous à la section Garantie de ce manuel pour plus de détails concernant la garantie produit Orbea et le processus de réclamation de garantie.

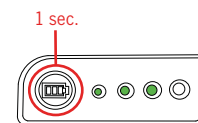
## TÉMOINS DE CHARGE LED DE LA BATTERIE

Si une batterie n'est pas utilisée pendant 2 heures, elle s'éteint automatiquement.

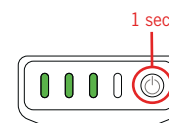
### INDICATIONS DU NIVEAU DE CHARGE

#### 1. Pendant l'utilisation ou lorsque la batterie n'est pas en cours de charge.

Appuyez sur le bouton principal de la batterie pendant 1 seconde. Les LED s'allumeront pour indiquer le niveau de charge de la batterie par incréments de 25%.



Batterie interne



Range Extender

### NIVEAU DE CHARGE

### LED

75% ~ 100%



50% ~ 74%



25% ~ 49%



5% ~ 24%



0% ~ 4%



#### 2. Pendant la charge.

(Une fois la batterie complètement chargée, la LED s'éteint après 5 secondes.)

100%



75% ~ 99%



50% ~ 74%



25% ~ 49%



0% ~ 24%



LED allumée



LED clignote à 2 Hz



LED clignote à 1 Hz



LED éteinte

## CODES D'ERREUR DE BATTERIE ET DÉPANNAGE

Si, en appuyant sur le bouton principal de la batterie, les LED ne s'allument pas, le circuit de protection est activé. Pour désactiver le circuit de protection, chargez la batterie en connectant le chargeur RS.

Si, lorsque vous appuyez sur le bouton principal ou pendant la recharge de la batterie, la LED commence à clignoter comme indiqué dans le tableau ci-dessous, suivez les actions recommandées pour désactiver les fonctions de protection ou effectuez les vérifications adéquates.

EXPLICATION DES CODES D'ERREUR	LEDs	ACTION RECOMMANDÉE
Épuisement de la capacité de la batterie et activation du mode de protection basse tension.		Commencez à charger la batterie.
Activation du mode de protection haute ou basse température.		Placez la batterie dans un environnement entre 5 °C ~ 40 °C
Activation du mode de protection contre les courts-circuits.		Retirez tout objet susceptible de provoquer un court-circuit et vérifiez tous les câbles. Attendez 30 secondes.
Activation du mode de protection permanent contre les défaillances ou d'autres protections de sécurité de la batterie		Arrêtez la charge de la batterie et contactez un revendeur agréé.
Activation du mode de protection contre la surcharge de courant.		Déconnectez le chargeur pour interrompre la charge de la batterie. Attendez 30 secondes.
Après une longue période d'utilisation de la batterie, les LED ne s'allument que lorsque la batterie est en charge et clignotent pendant 10 secondes.		Contactez un revendeur agréé pour vérifier l'état de la batterie.



LED allumée



LED clignote à 2 Hz



LED clignote à 1 Hz



LED éteinte

## 13 SUSPENSIONS RÉGLAGE DES FOURCHES FOX

Référez-vous à la documentation du fabricant pour le guide complet des fourches Fox montées sur le Rise.

### MANUEL FOURCHE FOX 36 FLOAT GRIP 2

[www.ridefox.com/fox17/help.php?m=bike&id=1082](http://www.ridefox.com/fox17/help.php?m=bike&id=1082)

### MANUEL FOURCHE FOX 34 FLOAT GRIP & FIT4

[www.ridefox.com/fox17/help.php?m=bike&id=1081](http://www.ridefox.com/fox17/help.php?m=bike&id=1081)

## RECOMMANDATIONS DE RÉGLAGE DE LA PRESSION D'AIR DES FOURCHES FOX 34 ET 36 FLOAT

Les valeurs indiquées dans les tableaux suivants sont approximatives et peuvent varier en fonction du style de conduite ou des conditions du terrain.

RÉGLAGE SAG RECOMMANDÉ	Débattement total de la fourche	15% SAG (ferme)	20% SAG (souple)
FOX 36 FLOAT	150mm	23mm	30mm
FOX 34 FLOAT	140mm	21mm	28mm

### PRESSION D'AIR RECOMMANDÉE POUR LE RÉGLAGE DU SAG

FOX 36 FLOAT			FOX 34 FLOAT		
Poids du cycliste + équipement (Kg)	Poids du cycliste + équipement (Lb)	Pression (PSI) :	Poids du cycliste + équipement (Kg)	Poids du cycliste + équipement (Lb)	Pression (PSI) :
54-59	120-130	66	54-68	120-150	58-68
59-64	130-140	70	68-82	150-180	72-82
64-68	140-150	74	82-95	180-210	86-96
68-73	150-160	78	95-113	210-250	100-114
73-77	160-170	82			
77-82	170-180	86			
82-86	180-190	89			
86-91	190-200	94			
91-95	200-210	99			
95-100	210-220	105			
100-104	220-230	109			
104-109	230-240	113			
109-113	240-250	117			

## CONSEILS DE RÉGLAGE DES FOURCHES FOX 34 ET 36 FLOAT

Le réglage de la détente dépend de la pression d'air. Plus la pression d'air est élevée, plus la détente doit être fermée.

Utilisez la pression d'air finale de votre fourche pour trouver votre réglage de détente idéal. Fermez complètement la détente (tournez la molette dans le sens des aiguilles d'une montre).

Puis, en ouvrant dans le sens contraire aux aiguilles de la montre, comptez les "clics" tel qu'indiqué dans le tableau ci-dessous.

### RÉGLAGE RECOMMANDÉ DE LA DÉTENTE

FOX 36 FLOAT			FOX 34 FLOAT				
Poids du cycliste + équipement (Kg)	Poids du cycliste + équipement (Lb)	36 GRIP (clics)	36 GRIP 2		Pression d'air	FIT 4 (clics)	GRIP (clics)
			LSR (clics)	HSR (clics)			
54-59	120-130	13	9	8	65 psi / 4.5 bar	8	13
59-64	130-140	12	8	7	70 psi / 4.8 bar	8	12
64-68	140-150	11	7	6	74 psi / 5.1 bar	7	11
68-73	150-160	10	7	6	80 psi / 5.5 bar	7	10
73-77	160-170	9	6	5	85 psi / 5.9 bar	6	9
77-82	170-180	8	6	5	90 psi / 6.2 bar	6	8
82-86	180-190	7	5	4	96 psi / 6.6 bar	5	7
86-91	190-200	6	4	3	101 psi / 7.0 bar	5	6
91-95	200-210	5	4	3	106 psi / 7.3 bar	4	5
95-100	210-220	4	3	2	111 psi / 7.6 bar	4	4
100-104	220-230	3	2	1	117 psi / 8.0 bar	3	3
104-109	230-240	2	2	1	122 psi / 8.4 bar	2	2
109-113	240-250	1	1	0	126 psi / 8.7 bar	1	1

## RÉGLAGE DE L'AMORTISSEUR FOX

Référez-vous à la documentation du fabricant pour le manuel complet des amortisseurs Fox montés sur le Rise.

### MANUEL AMORTISSEURS FOX DPS ET DPX2 EVOL

[www.ridefox.com/fox17/help.php?m=bike&id=1079](http://www.ridefox.com/fox17/help.php?m=bike&id=1079)

### RECOMMANDATIONS DE RÉGLAGE DE LA PRESSION D'AIR POUR LES AMORTISSEURS FOX DPX EVOL ET DPX2 EVOL

Les valeurs indiquées dans les tableaux suivants sont approximatives et peuvent varier en fonction du style de conduite ou des conditions du terrain.

#### RÉGLAGE SAG RECOMMANDÉ **30%**

Ajustez la pression d'air de l'amortisseur jusqu'à ce que le SAG désiré soit atteint. Un SAG de 25% vous donnera une sensation de fermeté avec plus de soutien, tandis qu'un SAG de 30% vous donnera une sensation de conduite plus souple.

### RÉGLAGE DE LA DÉTENTE

Basé sur la pression atmosphérique après atteinte du SAG désiré.

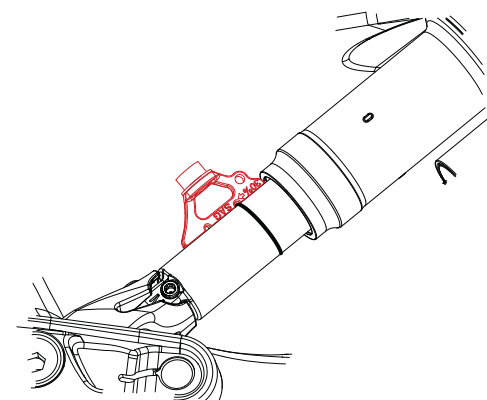
Pression d'air (psi)	Réglage recommandé de la détente (clics)
<100	Ouverte
100-120	11
120-140	10
140-160	9
160-180	8
180-200	7
200-220	6
220-240	5
240-260	4
260-280	3
280-300	Fermée
104-109	230-240
109-113	240-250

Une fois le SAG souhaité atteint, ajustez la détente en fonction de la pression d'air dans l'amortisseur.

Utilisez la pression d'air finale de votre amortisseur pour déterminer le réglage de la détente. Fermez complètement la détente (tournez la molette dans le sens des aiguilles d'une montre).

Puis, en ouvrant dans le sens contraire aux aiguilles de la montre, comptez les "clics" tel qu'indiqué dans le tableau ci-dessous.

Vous pouvez utiliser la jauge SAG sur l'outil de précontrainte de la biellette pour mesurer un SAG de 30 %.



## RÉDUCTEURS DE VOLUME DE LA CHAMBRE D'AIR SUR LES AMORTISSEURS FOX

L'amortisseur FOX DPX2 vous permet de modifier le volume de la chambre d'air pour obtenir la progressivité convenant le mieux à votre style de conduite.

Cet amortisseur est livré d'usine avec un réducteur de volume de 0.2, mais un réducteur de 0.4 est également inclus afin que vous puissiez le modifier selon vos besoins.

SANS RÉDUCTEUR	COMPORTEMENT PLUS LINÉAIRE	PILOTE PLUS LÉGER
		PILOTAGE MOINS AGRESSIF
AVEC RÉDUCTEUR 0.2	PLUS GRANDE PROGRESSIVITÉ	PILOTE DE POIDS MOYEN
		STYLE DE PILOTAGE MOYEN
AVEC RÉDUCTEUR 0.4	PLUS GRANDE PROGRESSIVITÉ	PILOTE PLUS LOURD
		PILOTAGE AGRESSIF

1. Pour installer ou retirer les réducteurs de volume de chambre d'air, vider complètement la chambre d'air de l'amortisseur DPX2.



2. Dévissez ensuite le manchon de la chambre d'air de la tête de l'amortisseur et faites-le glisser vers le bas.



3. Retirez le réducteur de chambre à air 0.2 du corps et installez le réducteur 0.4 (face plate vers le haut) ou laissez la chambre d'air sans réducteur de volume.




4. Faites glisser le manchon de la chambre vers le haut et vissez-le fermement à la tête de l'amortisseur.




5. Regonflez la chambre d'air à la pression souhaitée à l'aide d'une pompe à amortisseur.



## 14 DÉCLARATION DE CONFORMITÉ




**DECLARACIÓN DE CONFORMIDAD CE**  
**EC DECLARATION OF CONFORMITY**

**El fabricante / The manufacturer:** Orbea S. Coop.  
Polígono Industrial Goitondo s/n  
48269, Mallabia (Bizkaia) - Spain

**Declara que los siguientes productos / Declares that the following products:**

Descripción / Description : EPAC  
 Marca / Make : ORBEA  
 Modelos / Models : EMX 24, GAIN, KATU, KERAM, OPTIMA, RISE, VIBE and WILD  
 Año de construcción / Year of manufacture : 2020 and 2021

**Cumplen con las siguientes Directivas Europeas / Fulfills the following European Directives:**

- Directiva 2006/42/CE / Directive 2006/42/EC
- Directiva 2004/108/CE / Directive 2004/108/EC
- Directiva 2011/65/CE / Directive 2011/65/EC

**Las siguientes normas armonizadas han sido completamente aplicadas / The following harmonized standards have been fully applied:**

De acuerdo con la Directiva 2006/42/CE / According to Directive 2006/42/EC

- EN 12100

De acuerdo con la Directiva 2004/108/CE / According to Directive 2004/108/EC

- EN 61000-3-2                      - EN 61000-3-3                      - EN 61000-6-1
- EN 61000-6-3                      - 61000-4-2



**Las siguientes normas nacionales y otras especificaciones (o partes de las mismas) han sido aplicadas / The following national standards and other specifications (or parts thereof) have been applied:**

- EN 15194                      - EN 14764


**Persona autorizada para elaborar el expediente técnico / Authorized person to elaborate the technical file:**

Nombre / Name : Aitor Juaristi (Quality Manager)  
 Dirección / Address : Polígono Industrial Goitondo s/n  
48269, Mallabia (Bizkaia) - Spain

02 / 11 / 2020

Orbea S. Coop.  
 P. I. Goitondo 48269 Mallabia (Bizkaia) - Spain  
 Tel.: + 34 943 171 950 - Fax: + 34 943 174 397  
 orbea@orbea.com - www.orbea.com



## 15 INFORMATIONS SUPPLÉMENTAIRES

ORBEA est très actif sur les réseaux sociaux grâce à sa fantastique communauté cycliste à travers le monde. Vous cherchez un endroit pour faire du vélo ou passer vos vacances ? Un(e) autre passionné(e) de vélo a sans aucun doute des suggestions :

### FACEBOOK

[www.facebook.com/OrbeaBicycles](http://www.facebook.com/OrbeaBicycles)

### TWITTER

[www.twitter.com/Orbea/](http://www.twitter.com/Orbea/)

### YOUTUBE

Visitez la chaîne Orbea sur YouTube pour découvrir notre série de vidéos et de guides techniques.

[www.youtube.com/user/OrbeaBicycles](http://www.youtube.com/user/OrbeaBicycles)

### Instagram

[www.instagram.com/orbeabicycles](http://www.instagram.com/orbeabicycles)

### CONTENU ORBEA

Photos, vidéos et documents à visualiser et télécharger.

[content.orbea.com/fr-fr/](http://content.orbea.com/fr-fr/)

### BLOG ORBEA

[www.orbea.com/fr-fr/blog/](http://www.orbea.com/fr-fr/blog/)

### DISTRIBUTEURS ORBEA

Nos revendeurs sont hautement spécialisés et se feront un plaisir de vous aider à configurer et à entretenir votre vélo Orbea. Vous trouverez une liste complète des revendeurs Orbea sur notre site internet :

[www.orbea.com/fr-fr/dealers/?country=INT](http://www.orbea.com/fr-fr/dealers/?country=INT)

### CONTACT

Nos informations et formulaire de contact sont disponibles sur :

[www.orbea.com/fr-fr/contacto](http://www.orbea.com/fr-fr/contacto)

### ÉTATS-UNIS

[www.orbea.com/us-en/contact/](http://www.orbea.com/us-en/contact/)



# INHALT

<b>01 EINLEITUNG</b>	<b>256</b>
Erklärung der Symbole	
<b>02 ORBEA GARANTIE</b>	<b>258</b>
Gesetzliche Gewährleistung	
Lebenslange Orbea Garantie	
Gewährleistung auf Bestandteile des Motorsystems	
Inanspruchnahme der Garantie	
<b>03 WARTUNG</b>	<b>261</b>
Fahrrad reinigen	
Kette schmieren	
Überprüfung vor jeder Fahrt	
Wartungsintervalle der Komponenten	
Update des elektronischen Systems	
Ersatzteile	
Nach einem Sturz oder Aufprall	
<b>04 HINWEISE ZUR NUTZUNG DES RISE</b>	<b>265</b>
Maximale Reifengröße	
Mindesteinschubhöhe der Sattelstütze	
maximale Länge der Gabel	
maximale Anzahl der Spacer am Vorbau	
Spacer über dem Vorbau	
vorgesehener Einsatzzweck	
<b>05 NUTZUNGSHINWEISE ZU BESTANDTEILEN DES MOTORSYSTEMS</b>	<b>267</b>
Pflegehinweise und Vorgaben zur Nutzung der Bestandteile des Motorsystems und der Akkus	
Reichweite	
Transport von E-Bike-Akkus	
Transport von E-Bikes	

## 06 NUTZUNG DES RISE 270

Ein-/Ausschalten des Rise  
 Akku-Ladestand anzeigen  
 Akkus aufladen  
 Unterstützungsstufe einstellen  
 Systemfehler

## 07 ORBEA RS TOOLBOX. ANZEIGE DER SYSTEMDATEN AUF GARMIN GERÄTEN 276

Orbea RS Toolbox auf Garmin Geräten installieren und entsperren  
 Orbea RS Toolbox Datenfelder auf deinem Gerät anzeigen  
 Orbea RS Toolbox verwenden  
 Daten des Rise in Aktivitäten über Garmin Connect aufzeichnen

## 08 ETUBE PROJECT. PERSONALISIERUNG DES MOTORSYSTEMS 286

Systemfehler anzeigen

## 09 GEOMETRIE UND ERGONOMIE 288

Maximale und minimale Sitzhöhe bei Teleskopsattelstützen

## 10 TECHNISCHE DATEN 292

Technische Daten des Rise  
 Daten der Bestandteile des Motorsystems

## 11 MONTAGE UND ERSATZTEILE 297

Steuersatz  
 Abmessungen des Steuerrohrs  
 Daten zum Steuersatz  
 Aufbau und Montage des Steuersatzes  
 Achsen und Schaltauge  
 Hauptdrehpunkt des Hinterbaus  
 Wippe  
 Explosionszeichnung der Dämpferwippe  
 Montage der Kurbel  
 Montage des Dämpfers  
 Kleinteile und Protektoren für den Rahmen  
 Kettenführung  
 Verbindung von Schaltwerk und Hinterradbremse  
 Verbinden der Komponenten des Shimano EP8 Systems

Montage mit der Verbindungseinheit EW-EN100 (ohne Display)  
 Unterschiede bei der Montage der Verbindungseinheit EW-EN100 und des Displays EM-800  
 Verbinden des EP8 Systems mit Etube Professional. Händlerinformationen

Verbinden der orbea rs komponenten

Befestigung des Shimano EP8 RS Motors

Integrierter Akku Orbea RS

Befestigung des integrierten Akkus im Rahmen

Ausbau des integrierten Orbea RS Akkus. Händlerinformationen

Zusatzakku Orbea Range Extender

Montage des Range Extender

Verbindung des Range Extender mit dem Rise

Funktionsweise des Range Extender

Ladestand anzeigen

Ersatzteile für den Range Extender

## 12 WICHTIGE INFORMATIONEN ZU DEN RS AKKUS 324

## 13 DÄMPFER 329

Einstellung der FOX Gabeln

Einstellen der FOX Dämpfer

## 14 KONFORMITÄTSERKLÄRUNG 334

## 15 ZUSÄTZLICHE INFORMATIONEN 335



## 01 EINLEITUNG

Dieses technische Handbuch enthält wichtige Informationen zu deinem Fahrrad, seiner Verwendung, seiner Wartung und seinen Ersatzteilen. Bitte lies es aufmerksam durch.

Dieses Dokument bildet eine Ergänzung der allgemeinen Bedienungsanleitungen zu Orbea Fahrrädern und Komponenten, welche detaillierter auf die korrekte Nutzung und Einstellung der wichtigsten Bestandteile der Fahrräder eingehen, um einen sicheren Betrieb zu ermöglichen. Diese Bedienungsanleitungen findest du, zusammen mit den weiteren technischen Handbüchern zu den Orbea Produkten, auf unserer Website:

<https://www.orbea.com/de-de/soporte/manuales>

Wichtige Informationen zu Einsatz, Wartung und Eigenschaften von Komponenten anderer Hersteller, die an unseren Fahrrädern verbaut sind, findest du auf der Website des entsprechenden Herstellers oder über dessen Vertrieb in deinem Land. Bei den Komponenten kann es sich zum Beispiel um Laufräder, Lenker, Motoren, Federgabeln und weitere handeln.





## ERKLÄRUNG DER SYMBOLE


In diesem technischen Handbuch kommen verschiedene Symbole zum Einsatz, um Anleitungen, Warnhinweise zur Nutzung, Wartung und Montage zu verdeutlichen. Achte auf diese Symbole, um Gefahrensituationen zu vermeiden und die korrekte Montage und Nutzung sämtlicher Bauteile zu gewährleisten.


Im Folgenden erklären wir die Bedeutung der einzelnen Symbole. In diesem Handbuch wird das Symbol jeweils zusammen mit der für das betroffene Bauteil relevanten Anweisung genutzt. Lies die folgenden Erklärungen aufmerksam durch, um ihre Bedeutung zu verstehen.


### SICHERHEITSANWEISUNGEN


 **GEFAHR:** Gefahrensituation, die zu schweren Verletzungen oder Tod führen kann, wenn sie nicht vermieden wird.

 **WARNUNG:** Gefahrensituation, die zu schweren Verletzungen oder Tod führen kann, wenn sie nicht vermieden wird.

 **ACHTUNG:** Gefahrensituation, die zu leichten bis mittelschweren Verletzungen führen kann, wenn sie nicht vermieden wird.

 **HINWEIS:** Situation, die nicht mit körperlicher Verletzung zusammenhängt. Wichtige Information.

 **GEFAHR EINES STROMSCHLAGS:** Gefahrensituation, die zu schweren Verletzungen oder Tod durch Stromschlag führen kann, wenn sie nicht vermieden wird.


 **KURZSCHLUSSGEFAHR:** Das Nichtbeachten der Anweisungen kann zu einem Kurzschluss an den elektrischen Bauteilen führen und sie beschädigen oder in Brand setzen.

Die Symbole **GEFAHR** und **WARNUNG** weisen auf die Gefahr eines Unfalls hin, wenn die beschriebene Situation nicht vermieden wird. Ein Fahrradunfall birgt immer das Risiko schwerer oder gar tödlicher Verletzungen. In diesem Handbuch wird in Zusammenhang mit diesem Symbol nicht jedes Mal auf die Todesgefahr hingewiesen, da diese hier ausführlich beschrieben wird.

### WERKZEUGE

 **MAULSCHLÜSSEL**  **TORXSCHLÜSSEL**


 **INNENSECHS-KANT-SCHLÜSSEL**  **KREUZSCHLITZSCHRAUBENDREHER**

 Die zu verwendende Werkzeuggröße wird in dem entsprechenden Symbol dargestellt.


 **10 N.m**

**ANZUGSDREHMOMENTE:** Das entsprechende Anzugsdrehmoment (in Newtonmeter) wird unter dem Symbol des für den Vorgang zu verwendenden Werkzeugs angegeben.

### ART DES VERBINDUNGSMITTELS

 **ÖL:** Leichte Schmierung für Teile wie Ketten oder Züge.

 **FETT:** Hochwertiges Montagefett zur Vermeidung von Geräuschentwicklung und Festsetzen einzelner Teile.

 **CARBONPASTE:** Montagepaste für Carbonteile, um die Reibung zwischen den einzelnen Teilen zu erhöhen.

 **LOCTITE SERIE 600:** Fixierung zylindrischer Teile.

 **LOCTITE SERIE 200:** Fixiermittel oder Schraubensicherung. Mittlere Widerstandsfähigkeit.

 **LOCTITE SERIE 400:** Sekundenkleber.

## 02 ORBEA GARANTIE

Dank des unermüdlischen Einsatzes zur Fertigung von Fahrrädern höchster Qualität kann Orbea folgende Konditionen zu Garantie und Gewährleistung anbieten:

### GESETZLICHE GEWÄHRLEISTUNG

Orbea bietet dem Erstkäufer dieses Orbea Fahrrads, Starrgabel und OC-Komponenten eine gesetzliche Gewährleistung von zwei Jahren ab Kauf dieses Artikels, beziehungsweise der Dauer der im Land des Kaufs gesetzlich vorgeschriebenen Gewährleistungsfrist.

Diese Gewährleistung deckt Herstellungsfehler und/oder Nichtkonformität an sämtlichen Orbea Produkten ab und garantiert Reparatur oder Austausch des beschädigten Produktes ohne zusätzliche Kosten für den betroffenen Kunden. Zudem deckt diese Gewährleistung Farb-, Lack- und Korrosionsschäden an sämtlichen von uns in unseren Fahrrädern verbauten Rahmen und Starrgabeln für den im vorigen Abschnitt genannten Zeitraum ab.

Keinesfalls deckt diese Gewährleistungen Schäden ab, die auf unsachgemäßen Gebrauch, Stürze, Unfälle oder fehlende Wartung sowie die übliche Abnutzung von Teilen wie etwa Dichtungen, Lagern, Lenkerband, Speichen, Reifen oder Sättel zurückzuführen sind.

Die vollständige Beschreibung der Deckungsbedingungen und der gesetzlichen Gewährleistung gibt es unter:

[www.orbea.com/de-de/garantia](http://www.orbea.com/de-de/garantia)

### LEBENSLANGE ORBEA GARANTIE

Zusätzlich zur gesetzlichen Gewährleistung bietet Orbea dem Erstkäufer des Fahrrads nach Registrierung des Fahrrads über die Orbea Website innerhalb von 30 Tagen nach dem Kauf eine gewerbliche, lebenslange Orbea Garantie. Diese deckt Herstellungs- und Konformitätsfehler der von uns in unseren Fahrrädern verbauten Rahmen und Starrgabeln ohne zeitliche Befristung ab.

Diese Garantie verlängert zudem die Frist der Abdeckung von Farb-, Lack- oder Korrosionsschäden an Rahmen und Starrgabeln um ein Jahr nach Ablauf der gesetzlichen Gewährleistung.

Die gewerbliche, lebenslange Orbea Garantie gilt nur für Rahmen und Starrgabeln, nicht für OC Komponenten.

Die vollständige Beschreibung der Bedingungen der lebenslangen Garantie gibt es unter:

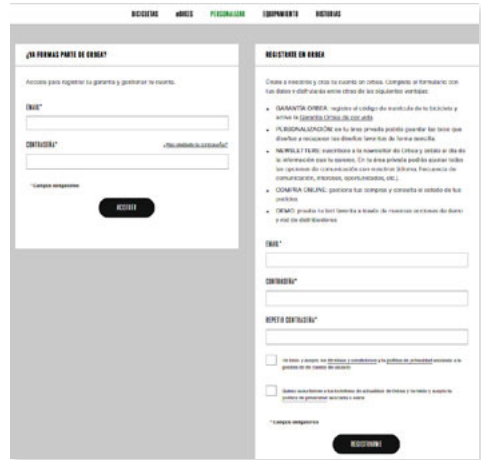
[www.orbea.com/de-de/garantia/#garantia-deporvida-orbea](http://www.orbea.com/de-de/garantia/#garantia-deporvida-orbea)

### REGISTRIERE DEIN FAHRRAD

Um die lebenslange Orbea Garantie nutzen zu können, musst du dein Fahrrad innerhalb von 30 Tagen nach dem Kauf unter folgendem Link registrieren:

[www.orbea.com/de-de/acceso-registro?from=register-plate/](http://www.orbea.com/de-de/acceso-registro?from=register-plate/)

#### 01. DEIN KONTO ANMELDEN



#### 02. REGISTRIERE DEINE RAHMENNUMMER



#### 03. HIER FINDEST DU DEINE RAHMENNUMMER



## GEWÄHRLEISTUNG AUF BESTANDTEILE DES MOTORSYSTEMS

### SHIMANO STEPS BESTANDTEILE

Die Bestandteile des Shimano STEPS Systems (Motor, Display, Geschwindigkeitssensor, Schalter zum Wechsel der Unterstützungsstufe, Verbindungseinheit und Di2 Verkabelung) sind über die gesetzliche Gewährleistung ab Kauf des Artikels oder des Fahrrads für zwei Jahre oder die im Land des Kaufes geltende Frist der gesetzlichen Gewährleistung abgedeckt.

### EXKLUSIVE ORBEA RS KOMPONENTEN

Die Komponenten des exklusiven elektrischen Systems Orbea RS (integrierter Akku, Range Extender, Kabelbaum zur Verbindung mit Akku, Motor, Ladebuchse und Einschaltknopf des elektrischen Systems) sind über die gesetzliche Gewährleistung ab Kauf des Artikels oder des Fahrrads für zwei Jahre oder die im Land des Kaufes geltende Frist der gesetzlichen Gewährleistung abgedeckt.

Diese Gewährleistungen decken Herstellungsfehler und/oder Nichtkonformität an sämtlichen Produkten von Orbea und Shimano ab und garantieren Reparatur oder Austausch des beschädigten Produktes ohne zusätzliche Kosten für den betroffenen Kunden.

Keinesfalls deckt diese Gewährleistungen Schäden ab, die auf unsachgemäßen Gebrauch, Stürze, Unfälle, fehlerhafte Installation oder fehlende Wartung oder Nichtbeachtung der Hinweise zu Nutzung, Aufbewahrung, Aufladen, etc. in diesem Handbuch.

Der Kapazitätsverlust der RS Akkus (integrierter Akku und Range Extender) aufgrund altersbedingter Nutzung im Einsatz, dem Aufladen und der Aufbewahrung ist nicht durch die Gewährleistung abgedeckt.

## INANSPRUCHNAHME DER GARANTIE

Alle Garantiefälle müssen über einen autorisierten Orbea-Händler abgewickelt werden, der eine erste Prüfung durchführt und sämtliche für die vollständige Prüfung des Falls benötigten Unterlagen an Orbea, Shimano oder den Hersteller der betroffenen Komponenten weiterleitet. Der Händler informiert den Kunden über den Status der Garantieabwicklung sowie die Entscheidung zu dem Garantiefall seitens Orbeas, Shimanos oder des Herstellers der betroffenen Komponenten.

### GARANTIEANSPRÜCHE UND REPARATUR VON BESTANDTEILEN DES MOTORSYSTEMS

**SHIMANO:** Die Abwicklung von Garantiefällen oder Reparaturen der folgenden Bestandteile des Motorsystems wird über Shimano abgewickelt:

Motor Shimano EP8 RS.  
Display SC-EN800.  
Verbindungseinheit EW-EN100.  
Geschwindigkeitssensor  
Spezielle Kabel für STEPS/DI2.  
Schalter zum Wechsel der Unterstützungsstufe SW-EM800L.

**ORBEA:** Die Abwicklung von Garantiefällen oder Reparaturen der folgenden Bestandteile des elektrischen Systems wird über Orbea abgewickelt:

Externer Akku Range Extender.  
Integrierter Akku Orbea RS 360Wh.  
Kabelbaum zur Verbindung mit dem integrierten Akku, dem Motor und der Ladebuchse.  
Einschaltknopf des Motorsystems.

Wir empfehlen zur Geltendmachung eines Garantiefalles stets den Händler zu kontaktieren, bei dem das Fahrrad gekauft wurde, beziehungsweise den Händler, den du beim Kauf eines Fahrrads zur Lieferung zu dir nach Hause ausgewählt hast. Solltest du dich nicht an den ursprünglichen Verkäufer wenden können, findest du eine Übersicht unserer autorisierten Orbea-Händler auf unserer Webseite. Du kannst auch direkt Kontakt mit Orbea aufnehmen, damit wir dir den passenden Händler nennen können.

[www.orbea.com/de-de/distribuidores/7country](http://www.orbea.com/de-de/distribuidores/7country)

[www.orbea.com/de-de/contacto/](http://www.orbea.com/de-de/contacto/)

## 03 WARTUNG

Orbea Produkte werden mit besonderem Fokus auf Haltbarkeit, Effizienz und einfache Wartung sorgfältig entwickelt. Zudem sind unsere Rahmen und Gabeln aus Carbon und Aluminium besonders korrosionsbeständig.

Nichtsdestotrotz müssen sämtliche Teile deines Rades regelmäßig gewartet werden. So stellst du sicher, dass dein Fahrrad ordnungsgemäß funktioniert, sicher ist und du lange Spaß damit hast.

### FAHRRAD REINIGEN

Reinige dein Fahrrad regelmäßig mit Wasser und sanfter Seife. So bleibt es wie neu. Bei der regelmäßigen Pflege merkst du zudem schnell, ob Rahmen und Komponenten noch in einwandfreiem Zustand sind. Auf keinen Fall solltest du einen Hochdruckreiniger einsetzen! Der hohe Wasserdruck könnte Komponenten wie die Lager oder auch den Rahmen beschädigen.

Für das wirksame Entfernen von Fett von Antrieb und Kette empfehlen sich fettlösende, biologisch abbaubare Reiniger auf Zitrusbasis.

**⚠** Über längere Zeit an deinem Fahrrad angesamelter Schmutz kann die Überprüfung der Komponenten erschweren und dazu führen, dass Schäden und Defekte unentdeckt bleiben und so zu Problemen oder gar Unfällen führen.

**HINWEIS** Außerdem mindert angesamelter Schmutz die Lebensdauer der Komponenten und kann sogar zu Beschädigungen des Rahmens führen, besonders im Bereich der Lager und beweglicher Teile. Auf fehlende Pflege und Wartung zurückzuführende Schäden sind nicht durch die Gewährleistung abgedeckt.

### KETTE SCHMIEREN

Nach der Reinigung deines Fahrrads solltest du die Kette schmieren. Verwende so wenig Schmiermittel wie möglich zur Behandlung der Kettenglieder und nimm überschüssiges Schmiermittel wieder auf. So vermeidest du die vermehrte Ablagerung von Schmutz, welche nicht nur die Funktion der Schaltung beeinträchtigen könnte, sondern auch die Lebensdauer der Komponenten mindert.



Verzichte auf Schmiermittel in Form von Sprays. Diese könnten auf die Bremse gelangen. Entsprechend solltest du die Bremsen nach jedem Schmiervorgang überprüfen.

### ÜBERPRÜFUNG VOR JEDER FAHRT

Vor jeder Fahrt solltest du dein Fahrrad einer kurzen Überprüfung unterziehen. So stellst du sicher, dass es einwandfrei funktioniert und kannst kleine Probleme entdecken, die sich im Laufe der Fahrt zu größeren Schwierigkeiten auswachsen könnten.

**RAHMEN:** Überprüfe Rahmen und Gabel auf Schäden oder Risse sowie ungewöhnliche Geräusche. Solltest du irgendwelche Beschädigungen feststellen, darfst du das Fahrrad nicht mehr verwenden und solltest dich mit deinem autorisierten Orbea Händler in Kontakt setzen, um den Rahmen überprüfen zu lassen.

**KETTE:** Die Kette sollte sauber und gut geschmiert sein, der Antrieb sollte keine ungewöhnlichen Geräusche verursachen.

**BREMSEN:** Stelle sicher, dass die Bremsen ordnungsgemäß und sicher funktionieren. Überprüfe zudem den festen Sitz der Schrauben.

**REIFEN:** Überprüfe die Reifen auf Verschleiß und Schnitte in der Lauffläche sowie den Seitenwänden. Tausche den Reifen aus, falls du Beschädigungen entdeckst. Kontrolliere vor der Fahrt zudem den Reifendruck.

**LAUFRÄDER:** Überprüfe, ob die Laufräder gleichmäßig und ohne Seitenschlag laufen. Ziehe die Laufräder leicht zur Seite, um dich zu vergewissern, dass die Lager kein Seitenspiel aufweisen. Stelle zudem sicher, dass keine Speiche defekt oder locker ist. Überprüfe, ob die Achsen oder Schnellspanner sicher und mit dem richtigen Drehmoment angezogen sind.

**STEUERSATZ** Ziehe die Vorderradbremse und bewege das Fahrrad leicht vor und zurück, während du das Vorderrad durch Druck auf den Lenker auf dem Boden hältst. Vergewissere dich, dass weder ungewöhnliche Geräusche noch Spiel im Steuersatz auftreten. Andernfalls könnte es sein,

dass die Lager verschlissen oder nicht korrekt eingestellt sind. Ist der Steuersatz korrekt eingestellt, überprüfe, ob die Lenkung sauber und problemlos funktioniert.

**DREHPUNKTE DES HINTERBAUS:** Überprüfe bei vollgefederten Fahrrädern, ob sich die Drehpunkte des Hinterbaus sauber drehen und kein Lagerspiel aufweisen. Ziehe den Hinterbau erst zur einen und dann zur anderen Seite des Fahrrads und achte dabei auf ungewöhnliche Geräusche und Spiel an den Drehpunkten. Sollte der Hinterbau nicht sauber arbeiten oder Spiel aufweisen, solltest du die Anzugsmomente der Schrauben überprüfen. Zudem könnte es sein, dass die Lager verschlissen oder beschädigt sind.

**LAGER:** Bei den Lagern eines Fahrrads (Tretlager, Drehpunkte des Hinterbaus, Steuersatz, Laufradnaben, etc.) handelt es sich um Verschleißelemente, die regelmäßig überprüft werden sollten, um ihre ordnungsgemäße Funktion zu gewährleisten. Andernfalls könnten verschlissene Lager die Komponenten, in welche sie eingebaut sind, beschädigen. Extreme Wetterbedingungen können den Verschleiß der Lager beschleunigen. Lager, die Spiel aufweisen oder nicht sauber laufen, müssen umgehend ersetzt werden. Ziehe im Zweifel immer deinen autorisierten Fachhändler zu Rate.

**HINWEIS** Schäden an Teilen deines Fahrrads, wie etwa dem Rahmen oder den Laufrädern etc., die sich auf fehlende Wartung und Austausch der Lager zurückführen lassen, sind nicht durch die Gewährleistung abgedeckt.

**MOTORSYSTEM:** Schalte das Rad ein und überprüfe die ordnungsgemäße Funktion des Motorsystems. Überprüfe, ob der Motor Unterstützung liefert und ob alle Komponenten (Motor, Display, Schalter zum Wechsel der Unterstützungsstufen und Geschwindigkeitssensor) funktionieren.

Sollte der Motor keine Unterstützung liefern, überprüfe sämtliche Verbindungen zwischen den einzelnen Komponenten des Motorsystems sowie den Zustand der Komponenten und Kabel. Kabel oder Komponenten, die Anzeichen von Beschädigungen aufweisen, müssen ausgetauscht werden.

Überprüfe, ob Fehler im Motorsystem vorliegen. In diesem Fall zeigt das Display SC-EN800 einen entsprechenden Fehlercode an. Auch die LEDs an der Verbindungseinheit

EW-EN100 blinken gleichzeitig auf, falls Systemfehler vorliegen sollten. Verbinde das Fahrrad mit Shimanos Etube-App, um den Fehlercode zu erfahren.

Wenn du den Fehlercode kennst, liefert dir die App die entsprechenden Ratschläge zur Behebung des Fehlers. Alternativ findest du diese Hinweise auch im Handbuch des Shimano STEPS Systems. Sollte das Motorsystem anschließend trotzdem nicht funktionieren oder falls du die Ratschläge nicht selbst umsetzen kannst, bring dein Fahrrad zu einem autorisierten Fachhändler. Er führt eine Fehlerdiagnose durch und kümmert sich gegebenenfalls um die Reparatur.

**⚠** Die Missachtung der hier geschilderten Anweisungen und die Verwendung eines Fahrrads, das die hier beschriebenen Probleme aufweist, kann Unfälle und schwere Verletzungen nach sich ziehen.

**⚠** **ANZUGSDREHMOMENTE:** Überprüfe stets die Anzugsdrehmomente und montiere die Komponenten gemäß der in diesem Handbuch angegebenen Anzugsdrehmomente. Folge den empfohlenen Anzugsdrehmomenten für Komponenten anderer Hersteller, die an deinem Orbea Fahrrad verbaut sind. Die Missachtung dieser Hinweise kann zum Ausfall der Komponenten, Unfällen und zum Tod führen.

## WARTUNGSINTERVALLE DER KOMPONENTEN

**HINWEIS** Die im Folgenden für die Komponenten angegebenen Wartungsintervalle dienen der Einordnung und hängen stark von folgenden Faktoren ab: den Wetterbedingungen, unter denen das Fahrrad genutzt wird (widrige Wetterbedingungen können die Lebensdauer der Komponenten und die Wartungsintervalle wesentlich beeinflussen der Pflege des Fahrrads und seiner Komponenten Schmutzansammlungen sorgen für verstärkten Verschleiß der Komponenten Einsatz des Fahrrads (wird das Fahrrad besonders stark beansprucht, verkürzen sich die Wartungsintervalle

Die empfohlenen oder vorgeschriebenen Wartungsintervalle zu Komponenten anderer Hersteller, die an deinem Orbea Fahrrad verbaut sind, erfährst du auf der Website des Herstellers oder beim Händler der entsprechenden Marke in deinem Land.

**HINWEIS** Die Nichteinhaltung der Wartungsintervalle kann zu Schäden an den Komponenten führen, die nicht über die Gewährleistung von Orbea oder des Herstellers der Komponenten abgedeckt sind.

**⚠** Das Nichteinhalten der Wartungsintervalle kann Schäden an den Komponenten verursachen und zu Verletzungen und Unfällen führen.

### STEUERSATZ

- Überprüfung der Funktionalität vor jeder Fahrt.
- Ausbau und manuelle Überprüfung der Lager alle sechs Monate, die das Fahrrad genutzt wird.

### TRETLAGER:

- Überprüfung der Funktionalität vor jeder Fahrt.
- Ausbau und manuelle Überprüfung der Lager alle sechs Monate, die das Fahrrad genutzt wird.

### ANTRIEB:

- Überprüfung der Funktionalität vor jeder Fahrt.
- Regelmäßige Überprüfung der Abnutzung der Kette alle 500 Kilometer. Eine über die Herstellerempfehlungen hinaus abgenutzte Kette muss zur Vermeidung von Schäden an den weiteren Antriebskomponenten ausgetauscht werden. Das Missachten der Anweisungen des Herstellers zur Abnutzung der Kette kann dazu führen, dass die weiteren Antriebskomponenten ausgetauscht werden müssen.

### LAUFRÄDER:

- Überprüfung der Funktionalität vor jeder Fahrt.
- Ausbau und manuelle Überprüfung der Lager und aller Bauteile alle sechs Monate, die das Fahrrad genutzt wird.

### DÄMPFER UND FEDERGABELN:

- Überprüfung der Funktionalität vor jeder Fahrt.
- Überprüfung und komplette Wartung alle 125 Stunden oder jährlich (je nachdem, welcher Fall früher eintritt) durch den vom Hersteller autorisierten Fachhändler.

### VARIO-SATTELSTÜTZEN:

- Überprüfung der Funktionalität vor jeder Fahrt.
- Überprüfung und komplette Wartung alle 125 Stunden oder jährlich (je nachdem, welcher Fall früher eintritt) durch den vom Hersteller autorisierten Fachhändler.

### DREHPUNKTE IN RAHMEN VOLLGEFEDERTER FAHRRÄDER:

- Überprüfung der Funktionalität vor jeder Fahrt.
- Ausbau und manuelle Überprüfung sämtlicher Lager alle 125 Stunden oder jährlich (je nachdem, welcher Fall früher eintritt). Je nachdem, unter welchen Bedingungen das Fahrrad genutzt wird, können sich diese Zeiträume verkürzen. Eine starke Beanspruchung des Fahrrads oder der Einsatz unter widrigen Wetterbedingungen oder im Schlamm erfordert den Ausbau und die Überprüfung des Rahmens alle 75 Stunden oder alle sechs Monate (je nachdem, welcher Fall früher eintritt). Läuft ein Lager nicht sauber oder weist Spiel auf, muss es umgehend ersetzt werden.

### SCHALTZÜGE UND ZUGHÜLLEN:

- Überprüfung der Funktionalität vor jeder Fahrt.
- Je nachdem, bei welchen äußeren Bedingungen das Fahrrad genutzt wird, müssen die Schaltzüge alle 6 bis 12 Monate, die das Fahrrad genutzt wird, erneuert werden.

### BREMSEN:

- Überprüfung der Funktionalität und der Abnutzung der Bremsbeläge oder Bremsklötze vor jeder Fahrt.
- Überprüfung der Abnutzung der Bremsscheiben und der Bremszüge oder Hydraulikleitungen alle 6 bis 12 Monate, je nachdem, bei welchen äußeren Bedingungen das Fahrrad genutzt wird. Jährliches Entlüften der Bremsleitungen.

### BESTANDTEILE DES MOTORSYSTEMS:

- Regelmäßige Überprüfung von Verbindungen und Kabeln des Motorsystems deines Fahrrads. Die Anschlüsse müssen sauber und frei von Fremdkörpern sein. Die Kabel müssen in gutem Zustand und frei von Schnitten oder Knicken sein, die zu Kurzschlüssen und Ausfall des Motorsystems führen könnten.

Bauteile wie Schalter oder Akkus dürfen keine äußeren Schäden aufweisen, die das Eindringen von Feuchtigkeit und anderen Stoffen erlauben könnten.

Wende dich bei jedweder Beschädigung der elektrischen Teile zu Überprüfung oder Austausch an deinen Orbea Händler.

## 04 HINWEISE ZUR VERWENDUNG DES RISE

### MAXIMALE REIFENGRÖSSE

Dieses technische Handbuch beschreibt die maximale Größe von Reifen, die in diesem Rahmen montiert werden dürfen. Diese Angaben sind bei der Montage eines Reifens an deinem Fahrrad unbedingt zu beachten.

Die tatsächlichen Breiten und Umfänge der Reifen können allerdings von Hersteller zu Hersteller abweichen. Falls du einen Reifen montierst, der nicht der Originalbereifung deines Fahrrads entspricht, musst du sicherstellen, dass der Reifen sowohl seitlich als auch an der Lauffläche mindestens 6 mm Abstand zum Rahmen hat.

**HINWEIS** Schäden am Rahmen oder an Komponenten, die auf den Einsatz eines Reifens zurückzuführen sind, der nicht den beschriebenen Abmessungen entspricht, sind nicht durch die Gewährleistung abgedeckt.

### MINDESTEINSCHUBHÖHE DER SATTELSTÜTZE

**!** Halte dich immer an die Angaben zur Mindesteinschubhöhe der verwendeten Sattelstütze. Die Missachtung dieser Angaben kann das Material über die Grenzwerte belasten, für die es ausgelegt wurde und so zu Materialversagen führen, welches Unfälle und schwere Verletzungen nach sich ziehen kann.

### MAXIMALE LÄNGE DER GABEL (ACHSE BIS STEUERROHR)

Halte dich immer an die Angaben zur maximalen Länge der Gabel, die im Abschnitt „technische Daten“ in diesem Handbuch aufgeführt werden. Die maximale Länge der Gabel bezieht sich auf den Abstand zwischen der Achse der Gabel und der Unterseite des Steuerrohrs (Achse bis Krone).

Hinweise zur ordnungsgemäßen Pflege des Motorsystems findest du im Abschnitt über die Einsatzbedingungen des Motorsystems in diesem Handbuch.

#### HINWEIS

#### UPDATE DES MOTORSYSTEMS:

Die Motorsysteme von E-Bikes können gelegentlich Updates oder Verbesserungen erfordern, um die Funktionsweise zu verbessern.

Einige Updates des Shimanos STEPS Systems werden per Bluetooth® ausgeführt, wenn du dein Fahrrad mit der Smartphone-App Etube Project verbindest.

Hier findest du die Anleitung zu Shimanos Etube-Project-App:

[si.shimano.com/#/de/iUM/7J4MA/](http://si.shimano.com/#/de/iUM/7J4MA/)

Weitere Updates müssen von einem autorisierten Fachhändler aufgespielt werden. Bitte deinen Händler, das System auf mögliche Updates zu prüfen, wenn du dein E-Bike zur Wartung oder zur Reparatur bringst.

Einige der hier beschriebenen Prüfungen und Wartungsarbeiten übersteigen die Kenntnisse der meisten Radfahrer. Wende dich zur Wartung deines Fahrrads und seiner Komponenten stets an einen Orbea Händler, falls du nicht selbst über die notwendige Qualifikation zur Durchführung der Wartungsarbeiten verfügst. Eine unsachgemäß durchgeführte Wartung kann zu Verletzungen oder Unfällen mit schweren Folgen führen.

Eine unsachgemäß durchgeführte Wartung kann zu Beschädigungen an den Komponenten führen, die nicht durch die gesetzliche Gewährleistung abgedeckt sind.

#### HINWEIS

### ERSATZTEILE

Verwende stets Originalersatzteile von Orbea, Shimano oder dem Hersteller der betroffenen Komponenten.

**!** Die Verwendung nicht originaler Ersatzteile kann zu Schäden führen, die Verletzungen oder Unfälle mit schweren Folgen nach sich ziehen können.

**!** Die Montage einiger der in diesem Handbuch beschriebenen Ersatzteile übersteigt die Kenntnisse der meisten Fahrradfahrer. Wende dich zur Wartung deines Fahrrads und seiner Komponenten stets an einen Orbea Händler, falls du nicht selbst die notwendige Qualifikation zur Montage der Ersatzteile besitzt. Eine unsachgemäß durchgeführte Montage der Ersatzteile kann zu Verletzungen oder Unfällen mit schweren Folgen führen.

**HINWEIS** Die Montage nicht originaler Ersatzteile kann zu Beschädigungen an deinem Fahrrad führen, die nicht durch die gesetzliche Gewährleistung abgedeckt sind.

### NACH EINEM STURZ ODER AUFPRALL

Stürze gehören zum Radsport dazu. Falls du einen Unfall mit deinem Orbea Fahrrad erleidest, solltest du dich zunächst vergewissern, dass mit dir soweit alles in Ordnung ist. Bitte um ärztliche Hilfe, falls dies notwendig sein sollte. Hast du keine Verletzungen erlitten, solltest du vor der Weiterfahrt unbedingt den Zustand deines Fahrrads überprüfen.

### UNTERSUCHE DEN RAHMEN UND DIE KOMPONENTEN DEINES FAHRRADS AUF SCHÄDEN

Setze deine Fahrt nicht fort, falls du eine Beschädigung feststellst.

#### ZU ÜBERPRÜFENDE ELEMENTE

Untersuche, ob Rahmen oder Gabel gebrochen oder verbogen sind. Solltest du einen Bruch oder einen Riss finden, musst du die Verwendung des Fahrrads umgehend einstellen. Prüfe Carbonrahmen auf Risse oder weiche

Stellen im Carbon. Solltest du eine entsprechende Stelle finden, musst du die Nutzung des Fahrrads umgehend einstellen.

**!** Rahmen und Gabeln aus Carbon sind besonders steif und belastbar. Aber bei Überlastung oder einem Schlag auf das Material verbiegen sich die Carbonfasern nicht, sondern brechen. Selbst wenn die Schäden mit dem bloßen Auge nicht immer sichtbar sind: Heftige Schläge auf das Material können es derart beschädigen, dass es zu einem späteren Materialversagen kommen könnte. Bei irgendwelchen Zweifeln über den Zustand des Materials nach einem Sturz oder Unfall solltest du auf jeden Fall deinen Orbea Händler kontaktieren, damit er eine entsprechende Diagnose vornehmen kann.

Überprüfe die Schaltung und die Laufräder und stelle sicher, dass sie ordnungsgemäß funktionieren. Fahre auf keinen Fall weiter, falls du eine Beschädigung dieser Komponenten erkennen solltest.

Auch wenn du keinerlei Beschädigungen feststellen kannst, solltest du auf deiner weiteren Fahrt sehr genau auf ungewöhnliche Geräusche deines Fahrrads achten. Diese könnten auf Schäden oder sonstige Probleme an deinem Fahrrad hinweisen. Fahre auf keinen Fall weiter, falls du solch ungewöhnliche Geräusche feststellen solltest. Kontaktiere deinen Orbea Händler, damit er eine entsprechende Diagnose vornehmen kann.

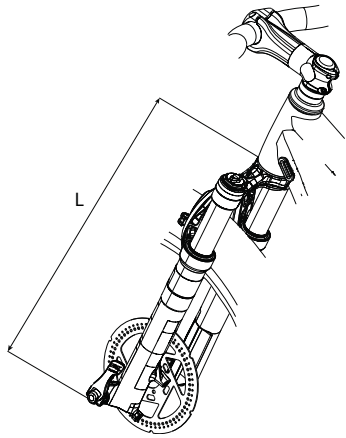
### BRING DEIN FAHRRAD ZU EINEM AUTORISIERTEN ORBEA HÄNDLER, UM EINE PROFESSIONELLE INSPEKTION DURCHFÜHREN ZU LASSEN

Manche Folgen eines Sturzes oder Unfalls lassen sich nur erkennen, wenn das Fahrrad vollständig auseinandgebaut und auf Schäden untersucht wird.

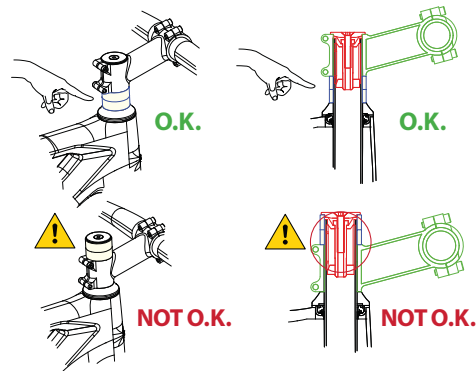
**!** Ein Sturz oder Schlag kann dein Fahrrad oder einzelne Komponenten stark beschädigen und zu Materialversagen oder vorzeitigem Verschleiß führen. Ein Materialversagen kann plötzlich und ohne Vorzeichen auftreten und den Kontrollverlust über das Fahrrad, schwere Verletzungen oder sogar den Tod nach sich ziehen.



Die Missachtung dieser Maße und der Einbau von Gabeln, die länger sind als maximal zugelassen, kann den Rahmen über die Grenzwerte belasten, für die er ausgelegt wurde. Dies kann zu Materialversagen führen, welches Unfälle und schwere Verletzungen nach sich ziehen kann.



## POSITION DER STEUERSATZKRALLE IM GABELSCHAFT. STEUERSATZ-SPACER ÜBER DEM VORBAU



Niemals darfst du Steuersatz-Spacer oberhalb des Vorbaus montieren. Die Platzierung von Spacern oberhalb des Vorbaus könnte speziell bei Gabeln mit Carbonschaft dazu führen, dass der Expander im Gabelschaft oberhalb der Mindesthöhe des Vorbaus sitzt. Dies könnte das Material über die Grenzwerte belasten, für die es entwickelt wurde. Unfälle und schwere Verletzungen können die Folge sein.



Die Länge des Gabelschafts muss immer der Position des Vorbaus am Gabelschaft entsprechen. Der Vorbau muss immer so am Gabelschaft montiert werden, dass sich die beiden Schrauben am Ende des Vorbaus auf Höhe des Gabelschafts befinden. Montiere den Vorbau nie so, dass sich die obere Schraube oberhalb des Abschlusses des Gabelschaftes befindet. Dies könnte das Material über die Grenzwerte belasten, für die es entwickelt wurde. Unfälle und schwere Verletzungen können die Folge sein.

## MAXIMALE ANZAHL DER SPACER AM VORBAU



Verwende niemals mehr als die für deinen Rahmen angegebenen Steuersatz-Spacer unter dem Vorbau. In der Spezifikationstabelle erfährst du, wie viele Steuersatz-Spacer der Orbea Rahmen maximal erlaubt. Der Einsatz von mehr als den maximal erlaubten Spacern kann das Material über die Grenzwerte belasten, für die es entwickelt wurde. Unfälle und schwere Verletzungen können die Folge sein.

## VORGEGEHENER EINSATZZWECK

Sämtliche Modelle sind für den Einsatz nach ASTM Level 4 zugelassen, welcher die Verwendung unter den in Level 1, 2 und 3 zugelassenen Bedingungen um den Einsatz auf technischen, rauen Trails mit starkem Gefälle und bei höheren Geschwindigkeiten, sowie moderate Sprünge und Drops erweitert.

Mit Blick auf den Einsatz unter diesen Bedingungen müssen diese Modelle nach jeder Fahrt überprüft werden. Der Einsatz unter diesen Bedingungen erforderte entsprechende fahrtechnische Fähigkeiten und kann speziell bei unerfahrenen Radfahrern zu Verletzungen führen.

Im Nutzerhandbuch findest du mehr Informationen zu den ASTM-Levels.



## 05 NUTZUNGSHINWEISE ZU BESTANDTEILEN DES MOTORSYSTEMS

### PFLEGEHINWEISE UND VORGABEN ZUR NUTZUNG DER BESTANDTEILE DES MOTORSYSTEMS UND DER AKKUS

- Das Fahrrad oder den Akku nicht mit Hochdruckreiniger behandeln und weder das Fahrrad noch die elektrischen Bauteile in Wasser eintauchen. Sämtliche elektrischen Bauteile sind vor Spritzwasser und Regen geschützt. Dennoch könnte der Einsatz eines Hochdruckreinigers die Bauteile beschädigen und Kurzschlüsse verursachen.

- Vermeide den Einsatz deines Fahrrads bei sehr schlechtem Wetter. Sämtliche elektrischen Bauteile sind vor Spritzwasser und Regen geschützt. Dennoch könnte der Einsatz bei sehr schlechtem Wetter die Bauteile beschädigen.

- Bei Regen sollte der ungeschützte Transport des Fahrrads auf dem Fahrradträger am Auto vermieden werden. Sämtliche elektrischen Bauteile sind vor Spritzwasser und Regen geschützt. Dennoch könnte Regen bei den hohen Geschwindigkeiten eines Autos in die elektrischen Bauteile eindringen.

Wird das Fahrrad auf dem Fahrradträger am Auto transportiert, sollte der Range Extender vom Fahrrad entfernt und der ordnungsgemäße Verschluss der Ladebuchse überprüft werden.

- Du solltest dein Fahrrad oder die Akkus nicht über längere Zeit hohen Temperaturen aussetzen. Die hohen Temperaturen könnten die elektrischen Komponenten beschädigen. Temperaturen über 70°C können zu Flüssigkeitsaustritten und Entflammung führen.

- Halte dich an die angegebenen Temperaturbereiche für die Verwendung (Entladung), das Aufladen und die Aufbewahrung des Fahrrads (mit integriertem Akku) sowie des Range Extenders. Der Einsatz, das Aufladen oder die Aufbewahrung der Akkus außerhalb dieser Temperaturbereiche kann die Zellen beschädigen und damit die Lebensdauer und Reichweite einschränken.

Die folgende Übersicht zeigt die maximalen Temperaturbereiche für die Verwendung, das Aufladen und die Aufbewahrung gemäß den Angaben des Herstellers der Akkuzellen. Generell mindert die Verwendung, das Aufladen und die Aufbewahrung der Akkus bei Temperaturen unter 0°C die Reichweite pro Ladezyklus und kann langfristig die Lebensdauer des Akkus beeinträchtigen.

#### TEMPERATURBEREICHE

<b>Aufladen</b>	0°C > 40°C
<b>Entladen (Nutzung)</b>	10°C > 50°C
<b>Aufbewahrung</b>	0°C > 35°C

· Vermeide die längere Aufbewahrung deines Fahrrads (mit integriertem Akku) oder des Range Extenders, ohne dabei den Ladestand der Akkus zu kontrollieren. Wird der Akku für längere Zeit nicht genutzt, bewahre ihn bei einem Ladestand von etwa 70 % auf. Überprüfe alle drei Monate den Ladestand. Verhindere ein Absinken des Ladestandes auf unter 10 %, um eine Beschädigung der Zellen zu vermeiden.

**NUTZUNG DES AKKUS BEI EINEM LADESTAND UNTER 10 %:** - Vermeide eine regelmäßige Nutzung des Akkus bei einem Ladestand unter 10 %. Ein Ladestand unter 10 % kann die Lebensdauer der Zellen und die Ladebalance beeinträchtigen.

· Der Akku sollte nicht länger als fünf Stunden am Stück an das Ladegerät angeschlossen sein. Zudem sollte der Ladevorgang stets so beaufsichtigt werden, dass der Akku bei unerwünschten Effekten wie Raucherentwicklung, Geruchsentwicklung oder Feuer vom Ladegerät getrennt werden kann.

· Verhindere Schläge auf oder Stürze des internen Akkus und des Range Extenders.

Den Akku nicht Aufladen oder Verwenden, falls das Gehäuse des Akkus nach einem Schlag oder Sturz Beschädigungen aufweist. Setze dich in diesem Fall mit einem autorisierten Händler für eine Prüfung in Kontakt.

· Stelle beim Einstecken der Kabel die korrekte Ausrichtung der Verbindungen sicher. Andernfalls könnten die Anschlüsse beschädigt werden.

· Überprüfe vor jeder Fahrt den korrekten Sitz des Verschlusses der Ladebuchse, um das Eindringen von Staub oder Feuchtigkeit zu verhindern.

· Verwende keine metallischen Gegenstände, um die Ladebuchse von Verschmutzung oder Fremdkörpern zu befreien.

Vermeide es, bei diesem Vorgang die Anschlüsse der Ladebuchse zu beschädigen.

**HINWEIS** Im Kapitel „Wichtige Informationen zu den RS Akkus“ findest du weitere wichtige Hinweise zu Einsatz, Pflege und Problemlösung rund um den integrierten Akku und den Range Extender.

Weitere Dokumente zum Shimano STEPS EP8 System und seinen Komponenten findest du hier:

· **Bedienungsanleitung:**

<https://si.shimano.com/api/publish/storage/pdf/es/um/7HCOA/UM-7HCOA-000-SPA.pdf>

· **Handbuch für den Händler:**

<https://si.shimano.com/api/publish/storage/pdf/es/dm/EP800/DM-EP800-01-SPA.pdf>

· Beachte, dass der integrierte Orbea RS Akku und der externe Range Extender Akku exklusive Orbea Komponenten sind. Die entsprechenden Gebrauchsinformationen findest du in diesem Handbuch.

#### REICHWEITE:

Der Shimano EP8 RS Motor sowie die Orbea RS Akkus wurden entwickelt, um die für ein System mit solch geringem Gewicht und Abmessungen maximale Reichweite zu ermöglichen.

Das System bietet bis zu viereinhalb Stunden Unterstützung mit dem integrierten Akku (360 Wh) und bis zu acht Stunden bei der zusätzlichen Nutzung des Range Extenders (252 Wh), wobei diese Schätzungen für den Einsatz mit der Unterstützungsstufe ECO gelten.

Die pro vollständiger Ladung verfügbare Reichweite hängt stark von verschiedenen Faktoren ab. Zum Beispiel:

· **UNTERSTÜTZUNGSSTUFE:** Der Einsatz höherer Unterstützungsstufen vermindert die verfügbare Reichweite.

· **UNTERSTÜTZUNGSPROFIL:** Das über die Shimano Etube-Project-App gewählte Unterstützungsprofil beeinflusst die verfügbare Reichweite. So hebt die Wahl des Unterstützungsprofils 2 die Leistung aller Unterstützungsstufen an und reduziert entsprechend die Reichweite.

· **INDIVIDUELLE ANPASSUNG DER UNTERSTÜTZUNGSSTUFEN:** Die ungefähren Reichweitenangaben beziehen sich auf die für jede Unterstützungsstufe ab Werk von Orbea vorgenommenen Originaleinstellungen. Die Anpassung der Unterstützungsstufen über die Shimano Etube-Project-App beeinflusst die tatsächliche Reichweite der Akkus.

· **TEMPERATUREN:** Das Aufladen und Verwenden des Akkus bei niedrigen Temperaturen reduziert die Reichweite pro vollständiger Ladung.

· Gewicht von Radfahrer und Ausrüstung/Gepäck.

· Pedalierleistung des Radfahrers.

· **UNTERGRUND UND ANSTIEGE:** Der Einsatz auf unbefestigten Wegen und in Anstiegen beeinflusst die Reichweite pro vollständiger Ladung.

· Häufiges Anhalten und Anfahren kann die verfügbare Reichweite beeinflussen.

#### UNGEFÄHRE REICHWEITEN:

	INTEGRIERTER AKKU. 360 Wh			MIT RANGE EXTENDER. 612 Wh (360+252 Wh)
<b>UNTERSTÜTZUNGSSTUFE</b>	ECO	TRAIL	BOOST	ECO
<b>UNGEFÄHRE LAUFZEIT (Stunden)</b>	4,5	3	2	8
<b>UNGEFÄHRE KLETTERLEISTUNG (Höhenmeter)</b>	2.500	1.700	1.200	4.000

## TRANSPORT VON E-BIKE-AKKUS

Der Transport des integrierten Orbea RS Akkus sowie des externen Range Extender Akkus muss gemäß den aktuell gültigen Vorschriften zum Transport von Gefahrgut erfolgen. Sie dürfen nur in der zugelassenen Originalverpackung und von einem zugelassenen Transportunternehmen transportiert oder verschickt werden. Informiere dich über die in deinem Land geltenden Regelungen zu Handhabung und Transport solcher Güter.

Falls der Range Extender zur Prüfung oder Reparatur an Orbea geschickt werden soll, muss dies stets in der zugelassenen Originalverpackung und über ein zum Transport von Akkus berechtigtes Transportunternehmen erfolgen. Orbea unterstützt dich bei der Suche nach der besten Lösung.

## TRANSPORT VON E-BIKES

Informiere dich über die für die entsprechende Fluggesellschaft geltenden Regelungen zum Transport von Akkus, falls du mit deinem E-Bike verreisen möchtest. Die meisten kommerziellen Fluggesellschaften verbieten den Transport von Akkus mit einer Kapazität von mehr als 100 Wh.

# 06 NUTZUNG DES RISE

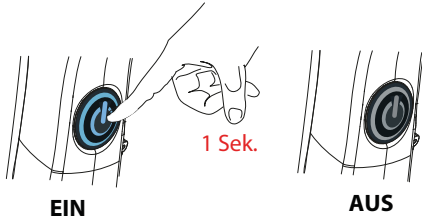
Dieser Abschnitt behandelt die generelle Funktionsweise des Shimano STEPS EP8 Systems im Rise sowie die Besonderheiten des exklusiven EP8 RS Systems von Orbea.

Beachte auch das Handbuch zum Shimano EP8 System, das du hier findest:

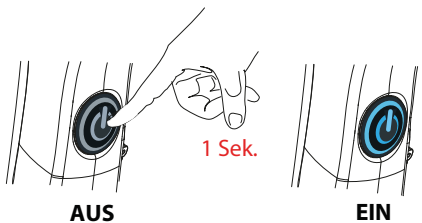
<https://si.shimano.com/api/publish/storage/pdf/es/um/7HCOA/UM-7HCOA-000-SPA.pdf>

## EIN-/AUSSCHALTEN DES RISE

Halte den unten am Sitzrohr befindlichen Knopf eine Sekunde lang gedrückt, um das Rise einzuschalten.



Halte den unten am Sitzrohr befindlichen Knopf eine Sekunde lang gedrückt, um das Rise auszuschalten.

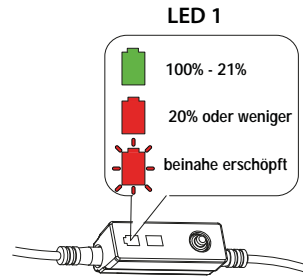


## ANZEIGE DES AKKU-LADESTANDES

Der Akku-Ladestand des Rise kann je nach gewählter Ausstattung auf verschiedene Arten angezeigt werden.

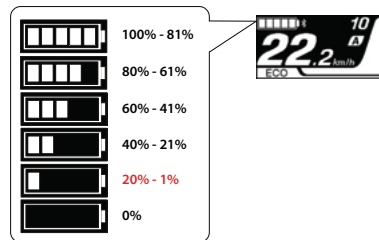
### KOMBINIERTER LADESTAND VON INTEGRIERTEM AKKU UND RANGE EXTENDER:

Ist der Range Extender mit dem Fahrrad verbunden, berechnet das System die Gesamtkapazität beider Akkus (integrierter Akku und Range Extender). Der auf die nachfolgend beschriebenen Arten angezeigte Ladestand bildet den kombinierten Ladestand beider Akkus im Verhältnis zur Gesamtkapazität ab.



· MIT VERBINDUNGSEINHEIT SHIMANO EW-EN100: Bei eingeschaltetem Fahrrad zeigt die LED1 der Verbindungseinheit Shimano EW-EN100 den Ladestand des/der Akku/s an. Die LED1 leuchtet grün, bis der Ladestand unter 21% sinkt. Anschließend leuchtet die LED1 rot.

Wenn der Akku beinahe erschöpft ist, blinkt die LED1 rot. Vermeide es, den/die Akku/s wiederholt bis zu einem Ladestand unter 10% zu entladen, ansonsten könnte die Lebensdauer der Akkuzellen beeinträchtigt werden.

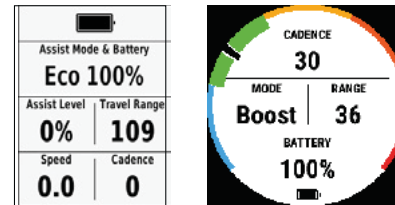


· MIT DISPLAY SHIMANO SC-EM800: Ist das SC-EM800 Display verbaut, wird der Ladestand des/der Akkus entsprechende Fehlercode im Display angezeigt.

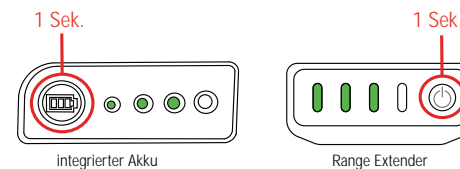
· **KOMPATIBLE GARMIN GERÄTE. ORBEA RS TOOLBOX:** Über die App Orbea RS Toolbox lassen sich die wesentlichen Daten des Orbea Rise auf einem kompatiblen Garmin Radcomputer anzeigen, darunter auch der Ladestand des/der Akkus in Prozent.

**HINWEIS** Sollte die verbleibende Energie des Akkus nicht in Prozent in der App Orbea RS Toolbox erscheinen, werden diese Daten wieder angezeigt, sobald der Ladestand um 1 % sinkt. In diesem Moment meldet das EP8-System den Ladestand des Akkus per ANT Private an das Garmin Gerät, auf welchem er dann wieder angezeigt wird.

Nähere Informationen zu Download und Installation der Orbea RS Toolbox App auf deinem Garmin Gerät erhältst du im entsprechenden Abschnitt dieses Handbuchs.



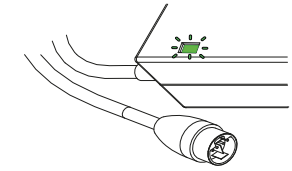
· **ORBEA RS AKKUS:** Halte den Einschaltknopf des Range Extender Akkus für eine Sekunde gedrückt, um den aktuellen Ladestand abzufragen. Durch Aufleuchten der LEDs wird der Ladestand in 25%-Schritten angezeigt.



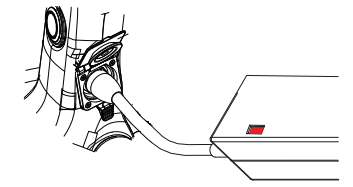
## AUFLADEN DER AKKUS

**HINWEIS** Lade den integrierten Akku oder den Range Extender vor dem ersten Einsatz deines Fahrrads vollständig auf.

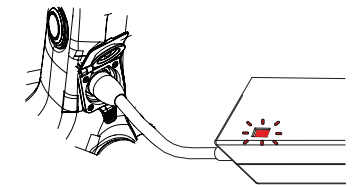
· **INTEGRIERTER ORBEA RS AKKU** Zum Aufladen des integrierten Akkus des Rise schließt du zunächst das Ladegerät an der Steckdose an. Ohne mit dem Fahrrad verbunden zu sein, blinkt die LED des Ladegeräts grün.



Öffne die Abdeckung der Ladebuchse des Rise und verbinde das Ladegerät. Die LED des Ladegeräts leuchtet während des Ladevorgangs dauerhaft rot.

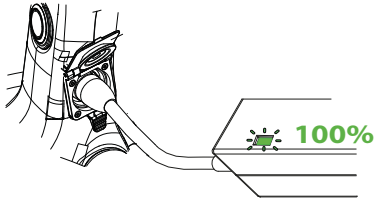


**HINWEIS** Sollte die LED beim Verbinden des Ladegeräts mit dem Fahrrad oder dem Range Extender rot blinken, liegt ein Problem mit dem Ladevorgang vor. Trenne das Ladegerät umgehend von dem Fahrrad oder dem Akku und setze dich mit einem autorisierten Händler in Verbindung.

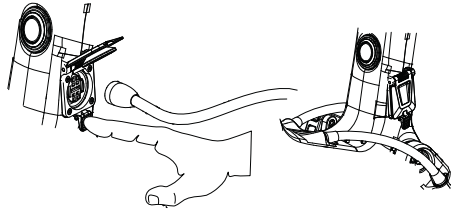




Ist der Akku vollständig aufgeladen, blinkt die LED des Ladegeräts grün, um den Abschluss des Ladevorgangs zu signalisieren.



Trenne das Ladegerät von der Ladebuchse des Rise, indem du die Sicherungsnase an der Ladebuchse drückst und das Ladekabel abziehst. Vergewissere dich anschließend, dass die Abdeckung der Ladebuchse sauber abschließt.



Während das Ladegerät mit der Ladebuchse verbunden ist, kannst du das Fahrrad nicht einschalten. Möchtest du den genauen Ladestand ablesen, musst du das Ladegerät von der Ladebuchse trennen, das Fahrrad einschalten und mit der Orbea RS Toolbox für Garmin verbinden (weitere Informationen zur Installation und Verwendung der Toolbox findest du im entsprechenden Abschnitt dieses Handbuchs).

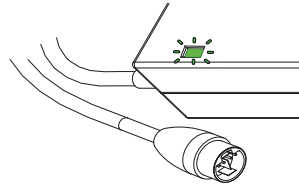
Bei Systemen mit Shimano-Display kannst du den Ladestand nach Trennen des Ladegeräts und Einschalten des Fahrrads auf dem Display sehen.

Vermeide einen dauerhaften Ladestand unter 10 %.

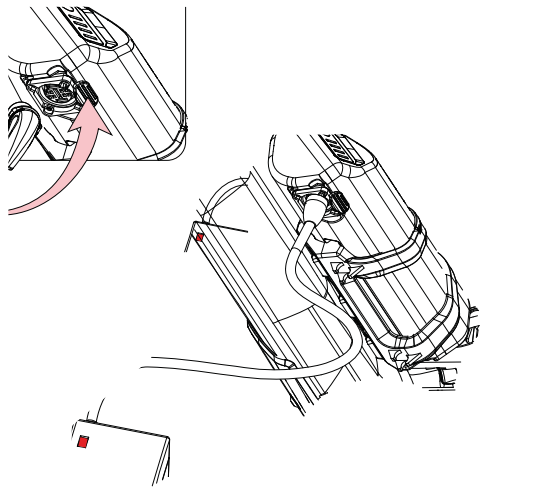
Der Akku sollte nicht länger als fünf Stunden am Stück an das Ladegerät angeschlossen sein. Zudem sollte der Ladevorgang stets so beaufsichtigt werden, dass der Akku bei unerwünschten Effekten wie Rauchentwicklung, Geruchsentwicklung oder Feuer vom Ladegerät getrennt werden kann.

Lithium-Ionen-Akkus sind während des Ladevorgangs temperaturempfindlich. Achte stets auf die in diesem Handbuch angegebenen Temperaturbereiche für das Aufladen, Entladen (Nutzung) und die Aufbewahrung.

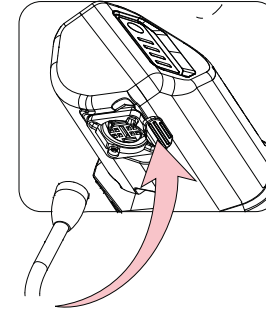
· **EXTERNER AKKU RANGE EXTENDER.** Zum Aufladen des externen Range Extender Akkus schließt du zunächst das Ladegerät an der Steckdose an. Ohne mit dem Fahrrad verbunden zu sein, blinkt die LED des Ladegeräts grün.



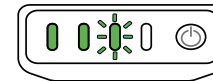
Trenne das Verbindungskabel des Range Extenders vom Fahrrad, indem du die Sicherungsnase an der Ladebuchse des Range Extender drückst. Verbinde anschließend das Ladegerät mit dem Range Extender. Die LED des Ladegeräts leuchtet während des Ladevorgangs dauerhaft rot.



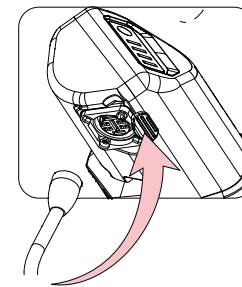
Ist der Akku vollständig aufgeladen, blinkt die LED des Ladegeräts grün, um den Abschluss des Ladevorgangs zu signalisieren.



Während des Ladevorgangs des Range Extenders zeigen die LEDs den aktuellen Ladestand des Akkus an.



Ist der Akku komplett aufgeladen, trenne das Ladegerät von der Ladebuchse, indem du die Sicherungsnase drückst und das Ladekabel abziehst.



Vermeide einen dauerhaften Ladestand unter 10 %.

Der Akku sollte nicht länger als fünf Stunden am Stück an das Ladegerät angeschlossen sein. Zudem sollte der Ladevorgang stets so beaufsichtigt werden, dass der Akku bei unerwünschten Effekten wie Rauchentwicklung, Geruchsentwicklung oder Feuer vom Ladegerät getrennt werden kann.

Lithium-Ionen-Akkus sind während des Ladevorgangs temperaturempfindlich. Achte stets auf die in diesem Handbuch angegebenen Temperaturbereiche für das Aufladen, Entladen (Nutzung) und die Aufbewahrung.

**HINWEIS** Im Kapitel „Wichtige Informationen zu den RS Akkus“ findest du weitere wichtige Hinweise zu Einsatz, Pflege und Problemlösung rund um den integrierten Akku und den Range Extender.

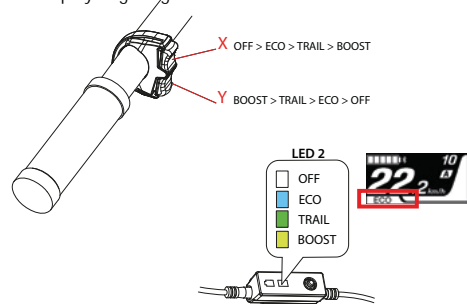
## EINSTELLEN DER UNTERSTÜTZUNGSSTUFE

· **MIT SCHALTER SHIMANO SW-EM800 / SW-E7000-L:** Zum Wechsel der Unterstützungsstufe mit dem Schalter SW-EM800 (Systeme mit dem Display SC-EM800) oder dem Schalter SW-E7000-L (Systeme mit der Verbindungseinheit EW-EN100), drücke den Knopf X, um eine höherer Unterstützungsstufe auszuwählen. Die höchste verfügbare Unterstützungsstufe ist die Stufe BOOST. Drücke den Knopf Y, um eine niedrigere Unterstützungsstufe auszuwählen.

Die verfügbaren Unterstützungsstufen sind:

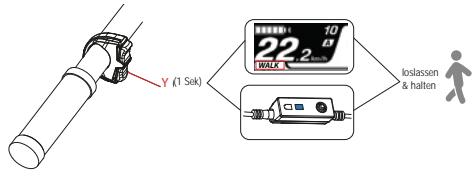
- OFF (ohne elektrische Motorunterstützung)
- ECO
- TRAIL
- BOOST

Beim Wechsel der Unterstützungsstufe ändert die LED2 der Verbindungseinheit EW-EN100 ihre Farbe, um die aktuelle Unterstützungsstufe anzuzeigen. Bei Systemen mit verbautem Display wird die aktuelle Unterstützungsstufe im Display angezeigt.



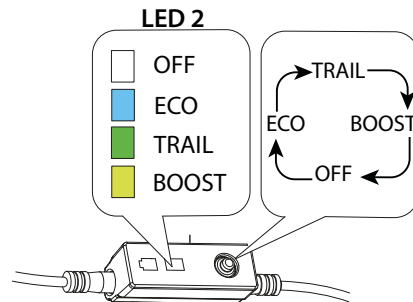
· **SCHIEBEHILFE:** Halte den Y-Knopf des Schalters SW-EM800 oder SW-E7000-L länger als eine Sekunde lang gedrückt, um die Schiebehilfe des Rise einzuschalten. Im Display SC-EM800 erscheint die Anzeige WALK, bei der Verbindungseinheit EW-EN100 leuchtet LED2 blau auf.

Lass den Y-Knopf los und drücke ihn erneut, um die Schiebehilfe zu aktivieren. Die Schiebehilfe des Rise bleibt aktiv, solange du den Y-Knopf gedrückt hältst.



· **MIT DER VERBINDUNGSEINHEIT EW-EN100:** Du kannst auch über den Knopf der Verbindungseinheit EW-EN100 die Unterstützungsstufen wechseln. Drücke den Knopf, um zur jeweils nächsthöheren Unterstützungsstufe zu wechseln. Hast du die Stufe BOOST erreicht, gelangst du mit einem weiteren Druck auf den Knopf zur Stufe OFF (ohne elektrische Motorunterstützung).

Nutze die Verbindungseinheit nicht während der Fahrt zum Wechsel der Unterstützungsstufen. Dies würde das Risiko eines Unfalls und schwerer Verletzungen erhöhen. Für ein deinen persönlichen Bedürfnissen entsprechendes Fahrerlebnis kann die Leistung der einzelnen Unterstützungsstufen über die Smartphone-App Shimano Etube angepasst werden.



Der Shimano EP8 RS Motor verfügt über zwei Unterstützungsprofile. Innerhalb dieser Profile können die Unterstützungsstufen ECO, TRAIL und BOOST wiederum über die Smartphone-App Shimano Etube Project individuell angepasst werden.

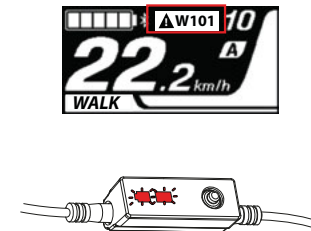
Wie du die Profile und die Unterstützungsstufen anpassen kannst, erfährst du im entsprechenden Abschnitt über die Shimano Etube-Project-App in diesem Handbuch.

Weitere Informationen zur Etube-Project-App findest du im vollständigen Handbuch von Shimano unter folgendem Link:

[https://si.shimano.com/#/es/iUM/7J4MA/customization/toc\\_task\\_yvb\\_xnr\\_1mb](https://si.shimano.com/#/es/iUM/7J4MA/customization/toc_task_yvb_xnr_1mb)

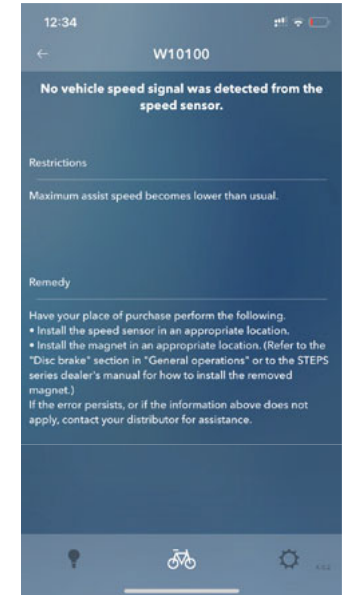
## SYSTEMFEHLER

Wird ein Fehler im System erkannt, blinken die LEDs der Verbindungseinheit EW-EN100 rot auf. Ist das SC-EM800 Display verbaut, wird der entsprechende Fehlercode im Display angezeigt.



Starte das Fahrrad neu und verbinde es mit der Shimano Etube-Project-App. Im Bereich Wartung > Fehlerprotokoll findest du den erkannten Fehler und einen Vorschlag zu dessen Behebung.

Die Fehlercodes sowie die Ratschläge zur Behebung der Fehler findest du auch im Handbuch des Shimano EP8 Systems.



## 07 ORBEA RS TOOLBOX

### ANZEIGE DER SYSTEMDATEN AUF GARMIN GERÄTEN

#### ORBEA RS TOOLBOX AUF GARMIN GERÄTEN INSTALLIEREN UND ENTPERREN. GARMIN CONNECT APP

Orbea RS Toolbox ist eine speziell für Rise-Fahrer verfügbare App für Garmin Geräte. Du kannst die entsprechenden Datenfelder auf deinem kompatiblen Gerät anzeigen, um wichtige Informationen zu deinem Rise während der Fahrt im Auge zu behalten.

**HINWEIS** Im Folgenden erfährst du, wie du die Orbea RS Toolbox auf deinem Garmin Gerät über die Smartphone-App Garmin Connect via Bluetooth-Verbindung installierst und entsperst. Das Ganze funktioniert auch über die Garmin Express App auf deinem PC oder Mac, wenn du dein Gerät per Kabel mit deinem Computer verbindest.

**HINWEIS** Um die Orbea RS Toolbox zu entsperren, musst du die Rahmennummer deines neuen Rise auf der Orbea Website registriert haben. Dadurch kommst du gleichzeitig in den Genuss der lebenslangen Orbea Garantie. Besuche die Orbea Website und registriere deine Rahmennummer.

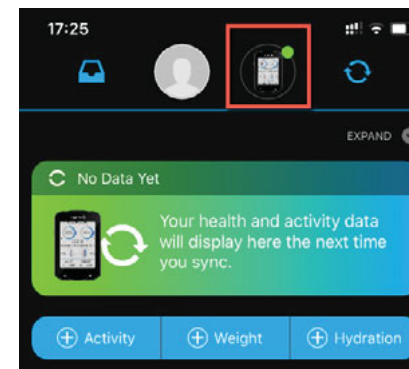
[www.orbea.com/es-es/access-register](http://www.orbea.com/es-es/access-register)

Du findest die elfstellige Rahmennummer deines Rades auf dem Rahmen:

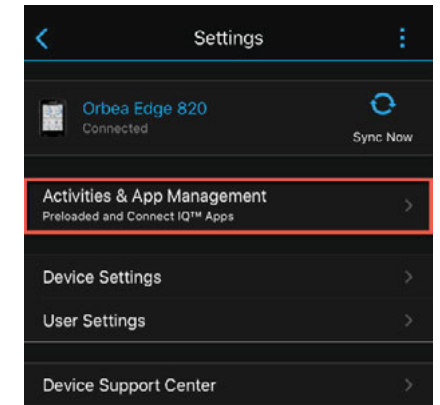


1. Nachdem du die Rahmennummer auf der Orbea Website registriert hast, öffne die Garmin Connect App auf deinem Smartphone und verbinde dein Gerät per Bluetooth.

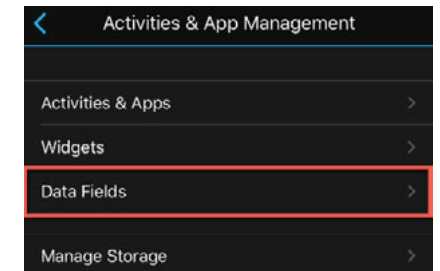
Zuvor musst du Garmin Connect über Google Play oder den Apple Store installiert haben.



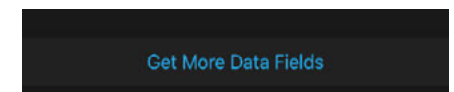
2. Wähle „Aktivitäten und App-Verwaltung“



3. Wähle „Datenfelder“



4. Drücke auf „weitere Datenfelder abrufen“.

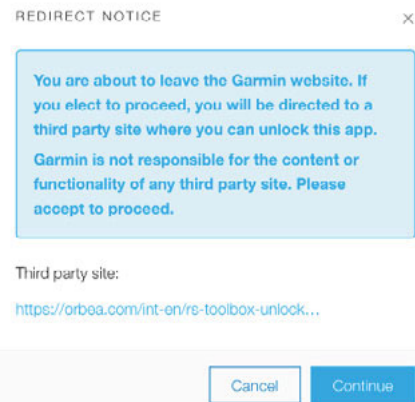


5. Suche "Orbea RS Toolbox" im IQ Store und wähle „Entsperren“.

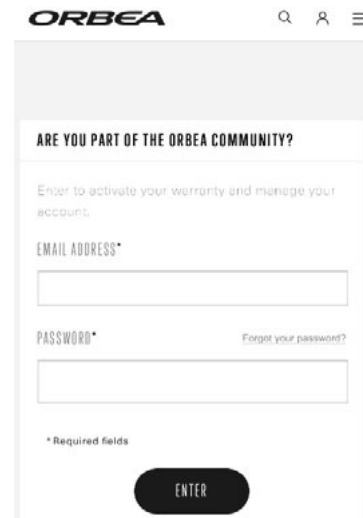


**HINWEIS** Falls du die Orbea RS Toolbox App nicht im Garmin IQ Store findest, ist dein Gerät nicht kompatibel zu der App. Wir arbeiten kontinuierlich daran, die App für weitere Geräte zugänglich zu machen. Melde dich bei Orbea, falls du weitere Informationen hierzu benötigst.

6. Du erhältst eine Meldung, dass du im Begriff bist den IQ Store zu verlassen. Bestätige die Meldung, um zurück zur Aktivierungsseite von Orbea zu gelangen.



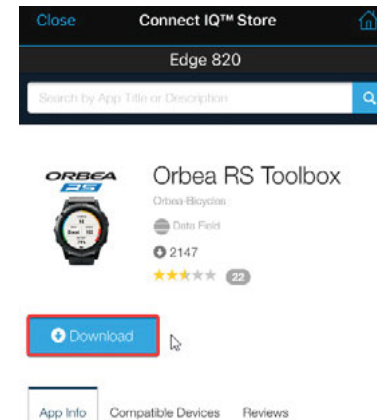
7. Trage deine Zugangsdaten in deinem Orbea Nutzerkonto ein.



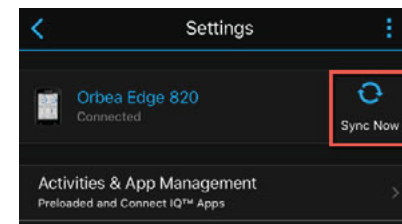
8. Solltest du die Rahmennummer deines Rise bereits registriert haben, erhältst du eine Nachricht, dass dein Garmin Gerät erfolgreich entsperrt wurde.

9. Kehre auf deinem Smartphone zurück zu Garmin Connect. Du wirst feststellen, dass die Schaltfläche zum Entsperren weiterhin auf dem Fenster der Orbea RS Toolbox zu sehen ist. **Suche Orbea RS Toolbox erneut über die Suchfunktion von Garmin Connect und wähle die App aus.** Jetzt sollte die Schaltfläche zum Entsperren verschwunden und nur noch die Schaltfläche zum Herunterladen der App sichtbar sein..

Lade die App herunter. Du erhältst eine Nachricht, dass die App sich installiert, wenn du dein Gerät synchronisierst.



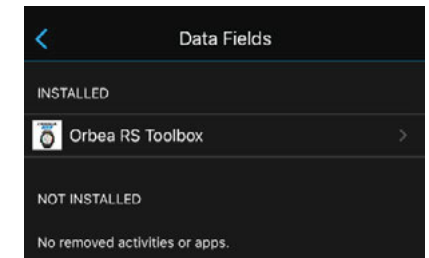
10. Kehre auf deinem Smartphone zurück zu Garmin Connect und synchronisiere dein Gerät mit der App.



Got it! Orbea RS Toolbox will be installed the next time your device syncs.  
How To Sync

11. Wähle „Datenfelder“ unter „Aktivitäten und App-Verwaltung“. Jetzt sollte die Orbea RS Toolbox auf deinem

Gerät verfügbar sein. Synchronisiere dein Gerät, falls die App sichtbar, aber scheinbar nicht installiert sein sollte..

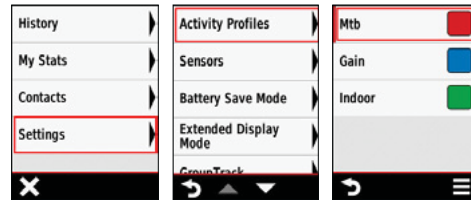


## ORBEA TOOLBOX DATENFELDER AUF DEINEM GERÄT ANZEIGEN

Nachdem du die Orbea Toolbox App über Garmin Express (PC und Mac) oder Garmin Connect (Smartphones) heruntergeladen und installiert und dein Gerät synchronisiert hast, kannst du die Anzeige der Datenfelder in deinem kompatiblen Gerät aktivieren.

Im Folgenden zeigen wir dir den Vorgang zur Anzeige der Datenfelder für kompatible Garmin-Uhren und Edge-Geräte.

1. Schalte dein Rise ein und aktiviere das Garmin Gerät, auf dem du die Daten deines Fahrrads anzeigen möchtest. Sie verbinden sich automatisch.
2. Wähle im Einstellungsmenü deines Geräts den Punkt „Profile“ und wähle das Aktivitätsprofil, in welchem du auf die Rise-Daten zugreifen möchtest.

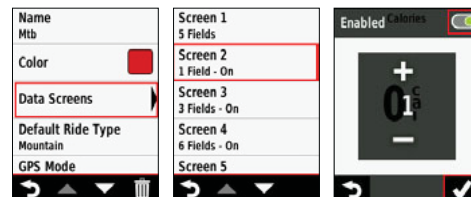


Garmin Edge Geräte



Garmin Uhren

3. Wähle „Datenfelder“ und die Seite des Aktivitätsprofils, auf welcher du die Daten deines Rise sehen möchtest. Aktiviere die Datenseite und wähle die Darstellung eines einzigen Datenfeldes.



Garmin Edge Geräte

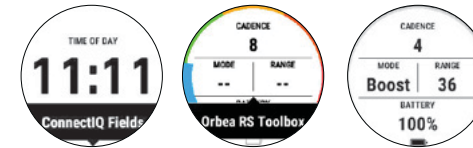


Garmin Uhren

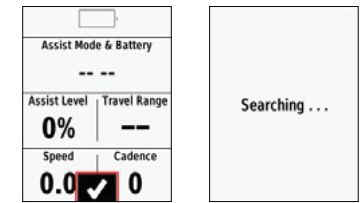
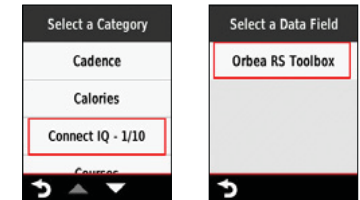
4. Wähle aus, welche Informationen du in dem Datenfeld angezeigt bekommen möchtest.

Wähle Connect IQ und drücke Orbea RS Toolbox

Solltest du das Fahrrad für der Auswahl der Anzeige des Datenfeldes nicht verbunden haben, zeigt das Gerät nach der Auswahl des Datenfeldes Orbea RS Toolbox die Nachricht „Suche...“. Wenn du das Rise einschaltest und auf die im Aktivitätsprofil deines Geräts ausgewählte Seite zugreifst, siehst du die Daten des Rise.

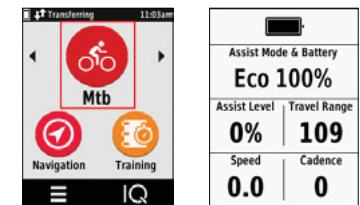


Garmin Uhren

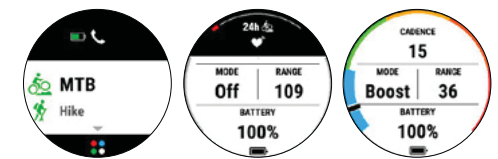


Garmin Edge Geräte

5. Greife bei eingeschaltetem Fahrrad auf das gewählte Aktivitätsprofil zu, um die Daten des Rise anzuzeigen oder eine Aktivität in diesem Profil zu starten. Navigiere bis zu der Seite, welche du für die Anzeige von Orbea RS Toolbox ausgewählt hast, um auf die Informationen deines Fahrrads zuzugreifen.



Garmin Edge Geräte



Garmin Uhren

## ORBEA RS TOOLBOX VERWENDEN

### HINWEIS

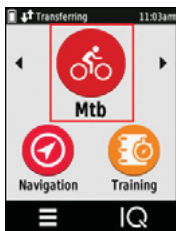
Orbea RS Toolbox ist nicht mit dem gleichzeitigen Einsatz der nativen Garmin Edge Shimano STEPS App auf den Geräten Edge 530, 830, 1030 und 1030 Plus kompatibel. Entkopple oder lösche das Fahrrad vor jedem Einsatz aus der Übersicht der verbundenen Sensoren deines Garmin Gerätes, bevor du Orbea RS Toolbox nutzt. Diese Einschränkung liegt nicht an Toolbox, sondern geht von Garmin aus.

### VERBINDE DEIN RISE MIT ORBEA RS TOOLBOX

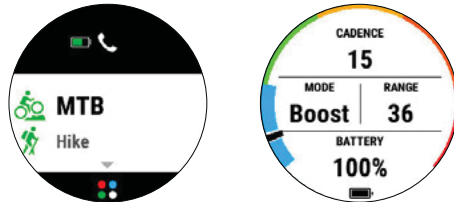
Starte immer zuerst dein Garmin Gerät und beginne mit der Aufzeichnung der Aktivität, bevor du dein Rise einschaltest. So stellst du sicher, dass der Ladestand des Akkus von Anfang an in Toolbox angezeigt wird. Andernfalls wird der Ladestand erst angezeigt, wenn du eine gewisse Strecke gefahren bist und der Ladestand des Akkus um 1 % gesunken ist.

Beim ersten Start von Toolbox verbindet es sich mit dem Fahrrad mit dem stärksten Signal, also normalerweise mit dem nächstgelegenen Rad. Einmal gekoppelt, bleibt es fest mit diesem Fahrrad verbunden. Solltest du Probleme mit der Verbindung haben, stelle sicher, dass dein Rise das einzige eingeschaltete E-Bike in der Nähe ist, um die Herstellung der Verbindung zu vereinfachen.

Die Verbindung zwischen dem Rise und Orbea RS Toolbox wird automatisch per ANT Private hergestellt. Sollten die Daten des Rise nicht auf dem entsprechenden Datenfeld deines Garmin Gerätes angezeigt werden, betätige die Tasten zum Wechsel der Unterstützungsstufe. Sollten die Daten nach wie vor nicht sichtbar sein, schalte das Fahrrad aus und wieder ein, um die Verbindung wiederherzustellen.



Assist Mode & Battery	
<b>Boost 100%</b>	
Assist Level	Travel Range
<b>5%</b>	<b>36</b>
Speed	Cadence
<b>4.0</b>	<b>9</b>

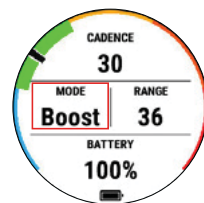


### ANGEZEIGTE DATEN DES RISE IN ORBEA RS TOOLBOX

**UNTERSTÜTZUNGSSTUFE:** Zeigt die aktuell ausgewählte der vier verfügbaren Stufen Off, Eco, Trail und Boost an.

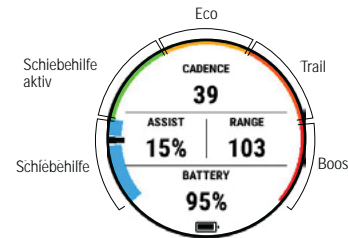
· **Anzeigeoptionen der Unterstützungsstufe:** Orbea RS Toolbox bietet zwei Varianten zur Anzeige der Unterstützungsstufe an. Im **Abschnitt zur Anpassung der Datenfelder** erfährst du, wie du einzelnen Datenfeldern die gewünschte Information zuweisen kannst.

· Du kannst dir den Namen der aktuellen Unterstützungsstufe in einem Datenfeld auf dem Bildschirm anzeigen lassen.



· Alternativ kannst du die Unterstützungsstufe auch über den äußeren Ring der Toolbox anzeigen lassen. Die ausgewählte Unterstützungsstufe wird dabei entsprechend hervorgehoben. Und zwar in folgenden Farben:

BLAU: Schiebehilfe ausgewählt, aber nicht aktiv  
GRÜN: Schiebehilfe aktiv  
GELB: Eco  
ORANGE: Trail  
ROT: Boost



**AKKU:** Ladestand des Akkus in Prozent.

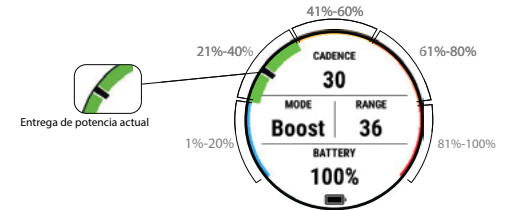
Sollte ein Range Extender Akku angeschlossen sein, erkennt das System die Gesamtkapazität von integriertem Akku und Range Extender (612 Wh). Toolbox zeigt den prozentualen Gesamtladestand beider Akkus an.

**HINWEIS** Sollte der prozentuale Ladestand des Akkus nicht in der Orbea RS Toolbox App angezeigt werden, werden diese Daten wieder angezeigt, sobald der Ladestand um 1 % sinkt. In diesem Moment meldet das EP8-System den Ladestand des Akkus per ANT Private an das Garmin Gerät, auf welchem er dann wieder angezeigt wird.

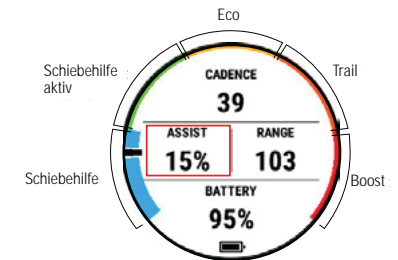
**UNTERSTÜTZUNGSLEISTUNG:** Anzeige der Unterstützungsleistung des Motors entsprechend der gewählten Unterstützungsstufe. Angezeigt als prozentuale Darstellung der Gesamtleistung des Motors.

Anzeigeoptionen der Unterstützungsleistung auf Garmin Uhren: Orbea RS Toolbox bietet zwei Varianten zur Anzeige der Unterstützungsleistung an. Im Abschnitt zur Anpassung der Datenfelder erfährst du, wie du einzelnen Datenfeldern die gewünschte Information zuweisen kannst.

Du kannst die Unterstützungsleistung des Motors über den äußeren Ring der Toolbox anzeigen lassen. Dabei wird die Unterstützungsleistung in Form eines schwarzen Balkens dargestellt, der sich im Bereich der Gesamtleistung des Motors bewegt (1%-100%). Standardmäßig erlauben die verschiedenen Unterstützungsstufen Zugriff auf voreingestellte Bereiche der Motorleistung. So erreicht zum Beispiel nur die höchste Unterstützungsstufe eine Unterstützungsleistung von etwa 100%.



· Alternativ kann die Unterstützungsleistung auch im Datenfeld „Assist“ angezeigt werden. Dabei wird die aktuelle Unterstützungsleistung in prozentualer Relation zur Gesamtleistung des Motors angezeigt



**REICHWEITE** Verbleibende Reichweite (in Kilometer oder Meilen) in der gewählten Unterstützungsstufe und bei aktuellem Ladestand des Akkus. Dieser Wert variiert je nach aufgebrachtener Pedalierleistung des Radfahrers unter Berücksichtigung der bisherigen Fahrweise.

**GESCHWINDIGKEIT:** momentane Geschwindigkeit des Fahrrads

**TRITTFREQUENZ:** Trittfrequenz des Radfahrers

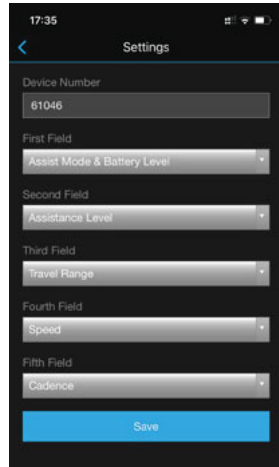
## ANPASSEN DER DATENFELDER

Die Reihenfolge, in welcher die Systemdaten auf dem Toolbox-Bildschirm des kompatiblen Geräts angezeigt werden, kannst du über Garmin Express oder die Smartphone-App Garmin Connect anpassen.

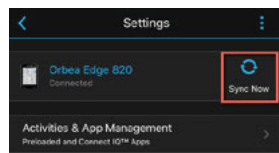
1. Öffne Garmin Connect auf deinem Smartphone und verbinde dein Gerät.
2. Greife über die App auf dein Gerät zu und wähle im Menü die Anpassung der Orbea RS Toolbox:

*App-Verwaltung > Datenfelder > Orbea RS Toolbox > Einstellungen*

3. Wähle über die ausklappbaren Menüs, welche Daten du in den Datenfeldern von Orbea Toolbox angezeigt bekommen möchtest und drücke „speichern“.



4. Kehre zurück zum Hauptmenü der App und wähle „jetzt synchronisieren“.



Wenn du jetzt dein Gerät mit dem Rise verbindest, werden die Daten entsprechend deiner gespeicherten Einstellungen angezeigt.

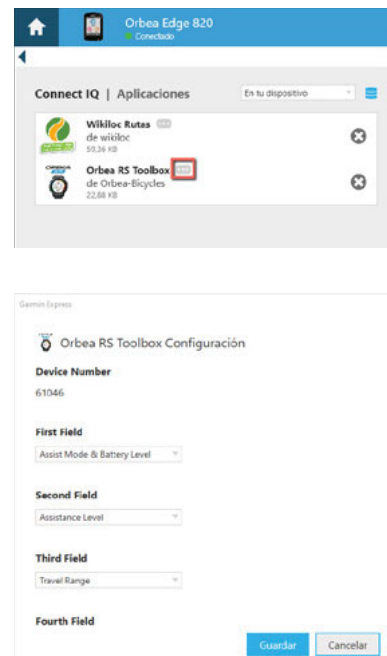
Ist das Gerät mit dem Rise verbunden, während du die Änderungen speicherst, siehst du die neuen Einstellungen sofort.

## GARMIN EXPRESS (PC UND MAC)

Du kannst die angezeigten Datenfelder auch über die Garmin Express App auf deinem PC oder Mac anpassen.

Verbinde dein Gerät über das Kabel mit deinem Computer und gehe zum Punkt „installierte Apps“. Wähle die Schaltfläche zur Anpassung der Orbea RS Toolbox und entscheide, welche Daten du in den Datenfeldern angezeigt bekommen möchtest.

Speichere die Änderungen und synchronisiere das Gerät.



## DATEN DES RISE IN AKTIVITÄTEN ÜBER GARMIN CONNECT AUFZEICHNEN

Bei der Aufzeichnung einer Aktivität mit dem Rise über die Orbea RS Toolbox auf deinem kompatiblen Garmin Gerät, werden die Daten der Toolbox zusammen mit den weiteren Daten deiner Aktivität gespeichert. So kannst du auf Informationen zu Unterstützungsstufe, Reichweite, Ladezustand des Akkus, Trittfrequenz etc. zugreifen.

Die Daten der Orbea RS Toolbox zur jeweiligen Aktivität rufst du genauso über Garmin Connect ab, wie die übrigen über dein Garmin Gerät aufgezeichneten Daten.



## 08 SHIMANO ETUBE PROJECT

### PERSONALISIERUNG DES MOTORSYSTEMS

Über die Etube-Project-App fürs Smartphone kannst du die Unterstützungsstufen des Shimano EP8 Motors im Rise an deine Bedürfnisse anpassen. Du kannst jede Unterstützungsstufe so verändern, dass sie genau die zu deinem Fahrstil passende Leistung bietet.

Zudem erlaubt der EP8-Motor die Auswahl zwei unterschiedlicher Unterstützungsprofile. In jedem dieser Profile kannst du jede Unterstützungsstufe anpassen, um die Leistung des Rise genau auf deine Bedürfnisse einzustellen.

Das Unterstützungsprofil 1 wurde eher für Fahrten im flachen Gelände entwickelt. Es bietet etwas weniger Motorleistung und eine dafür entsprechend höhere Reichweite. Profil 2 hingegen wurde für intensivere Fahrten mit mehr Auf und Ab ausgelegt und liefert dazu eine höhere Unterstützungsleistung. Weitere Informationen findest du in Shimanos vollständigem Handbuch zur Etube-Project-App für Smartphones. Über die Etube-Project-App kannst du unter anderem auch die Belegung des Unterstützungsstufenschalters anpassen, Fehlercodes einsehen oder die Firmware der einzelnen Komponenten aktualisieren.

Das vollständige Handbuch findest du hier:

<https://si.shimano.com/>

Lade die App über Google Play oder den Apple Store herunter und installiere sie auf deinem Smartphone.

1. **Starte die Etube-Project-App auf deinem Smartphone.** Schalte das Rise ein und öffne die App auf deinem Smartphone.
2. **Wähle „Fahrrad oder Leistungsmesser registrieren“.**
3. **Wähle das zu verbindende Fahrrad.**
4. **Registrierte dein Rise in Etube Project.**  
Du kannst ein Passwort vergeben, damit nur du Veränderungen an deinem Fahrrad vornehmen kannst. Falls du kein Passwort vergeben möchtest, geht es mit dem nächsten Schritt weiter.
5. **Wähle im Menü „Einstellen“ den Punkt „Unterstützen“.**

6. **Passe das maximale Drehmoment für jede Unterstützungsstufe im Profil 1 oder 2 an.**

7. **Wähle aus, welches Unterstützungsprofil du für deine Fahrten nutzen möchtest.** Profil 1 ist für den Einsatz in eher flachem Gelände voreingestellt. Profil 2 ist für den Einsatz in eher profiliertem Gelände voreingestellt.

\*Denk daran, alle Änderungen, die du über die Etube-Project-App vornimmst, über die Schaltfläche „Anwenden“ zu speichern.

Die einzelnen Unterstützungsstufen innerhalb eines Profils kannst du über die Fernbedienung am Lenker auswählen. Zwischen den Profilen selbst kannst du aber nur über die Etube-Project-App wechseln. Hast du das Unterstützungsprofil gewechselt, kannst du die entsprechenden Unterstützungsstufen über die Fernbedienung am Lenker auswählen.

### ANZEIGE VON SYSTEMFEHLERN

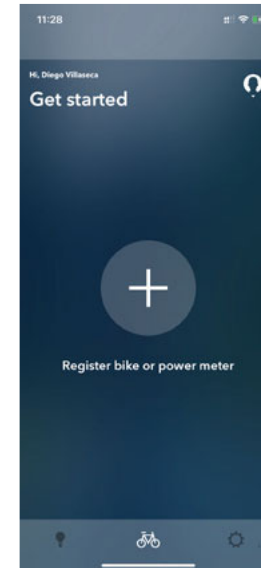
Sollten Fehler im Motorsystem erkannt werden, kannst du die Fehlercodes sowie Hinweise zum Prüfen und Beheben des Fehlers über die Etube-Project-App abrufen.

Bei mit der Verbindungseinheit Shimano EW-EN100 ausgestatteten Rädern (ohne Display) wird ein Fehler durch gleichzeitiges Blinken der beiden LEDs der Verbindungseinheit angezeigt. Verbinde das Rise mit der Etube-Project-App, um den Fehlercode sowie Hinweise zum Prüfen und Beheben des Fehlers abzurufen.

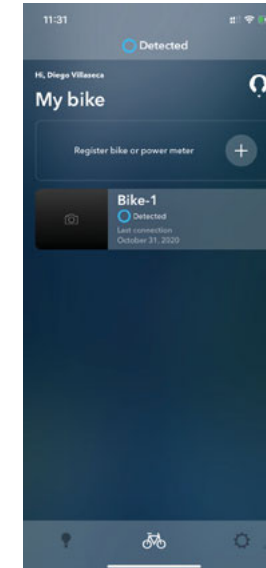
Bring dein Fahrrad für eine vollständige Überprüfung zu einem autorisierten Händler, falls der Fehler auch nach Befolgen der Lösungsvorschläge aus App oder STEPS Systemhandbuch weiter bestehen sollte.

Bei mit dem Display SC-EM800 ausgestatteten Rädern wird der Fehlercode im Display angezeigt. Im STEPS Systemhandbuch oder durch Verbinden des Rise mit der Etube-Project-App erhältst du Hinweise zum Prüfen und Beheben des Fehlers.

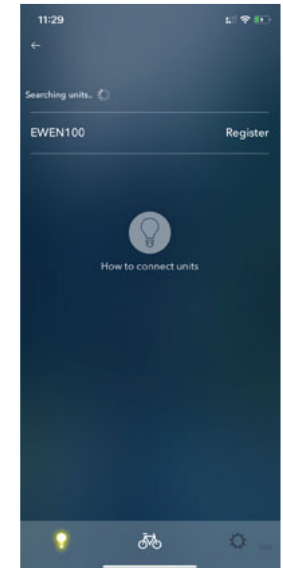
Bring dein Fahrrad für eine vollständige Überprüfung zu einem autorisierten Händler, falls der Fehler auch nach Befolgen der Lösungsvorschläge aus der App oder dem STEPS Systemhandbuch weiter bestehen sollte.



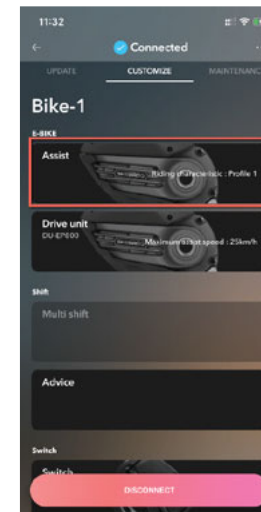
2



3



4



5



6

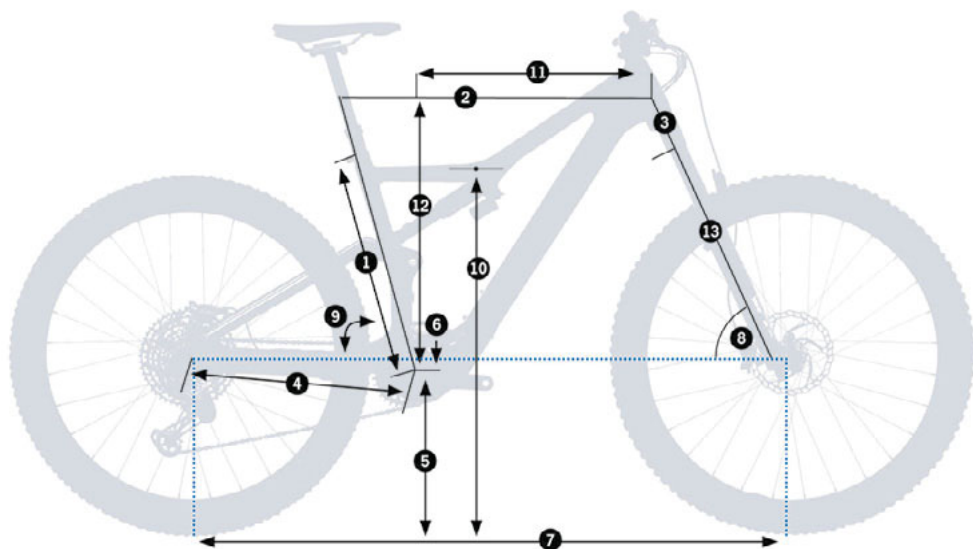


7



## 09 GEOMETRIE UND ERGONOMIE

### RISE



GRÖSSE	S	M	L	XL
1 - Sitzrohrlänge (C-T)	381	419	457	508
2 - Oberrohrlänge (EFF)	565	592	619	649
3 - Steuerrohrlänge	95	105	120	140
4 - Kettenstrebenlänge	445	445	445	445
5 - Tretlagerhöhe	336	336	336	336
6 - Tretlagerabsenkung**	35/32	35/32	35/32	35/32
7 - Achsstand	1.180	1.205	1.229	1.255
8 - Lenkwinkel**	66° > 65.5°	66° > 65.5°	66° > 65.5°	66° > 65.5°
9 - Sitzwinkel**	77° > 76.5°	77° > 76.5°	77° > 76.5°	77° > 76.5°
10 - Überstandshöhe	710	736	766	776
11 - Reach	425	450	474	500
12 - Stack	604	613	627	646
13 - Gabellänge	547	547	547	547

KÖRPERGRÖSSE (CM)	KÖRPERGRÖSSE (IN)	GRÖSSE
150-165	59.1"-65.0"	S
160-175	63.0"-68.9"	M
170-185	66.9"-72.8"	L
180-198	70.9"-78.0"	XL

\* Die in der Tabelle genannten Maße sind Richtwerte. Wenn du sichergehen willst, welche Größe wirklich am besten zu dir passt, probiere das Fahrrad bei einem unserer Händler aus.

\*\* Bei einer Federgabel mit 140/150mm Federweg.

## MAXIMALE UND MINIMALE SITZHÖHE BEI VARIO-SATTELSTÜTZEN

In der folgenden Tabelle werden die maximalen und minimalen Sitzhöhen bei der Verwendung einer Vario-Sattelstütze in ausgefahrenem Zustand für alle Rahmengrößen aufgeführt.

Die maximale Sitzhöhe bezieht sich auf die Höhe des Sattels bei Montage der Sattelstütze bei entsprechend der durch die Sattelstütze vorgegebenen minimalen Einschubtiefe.

Die minimale Sitzhöhe bezieht sich auf die Höhe des Sattels bei Montage der Sattelstütze bei entsprechend der durch den Rahmen vorgegebenen maximalen Einschubtiefe.

Aufgeführt werden nur die maximalen und minimalen Höhen für Kombinationen von Vario-Sattelstützen und Sätteln für einen konkreten Rahmen. Wende dich an den entsprechenden Hersteller, um die jeweilige Höhe beim Einsatz einer anderen Vario-Sattelstütze zu erfahren. Die Angaben zur maximalen Einschubhöhe des Rahmens findest du im Abschnitt „Technische Daten“ in diesem Handbuch.

**HINWEIS** Die in der folgenden Tabelle aufgeführten Höhen beziehen sich auf den Abstand von der Mitte des Tretlagers bis zur Mitte der Satteloberseite (für von Orbea verbaute Sattelmodelle).

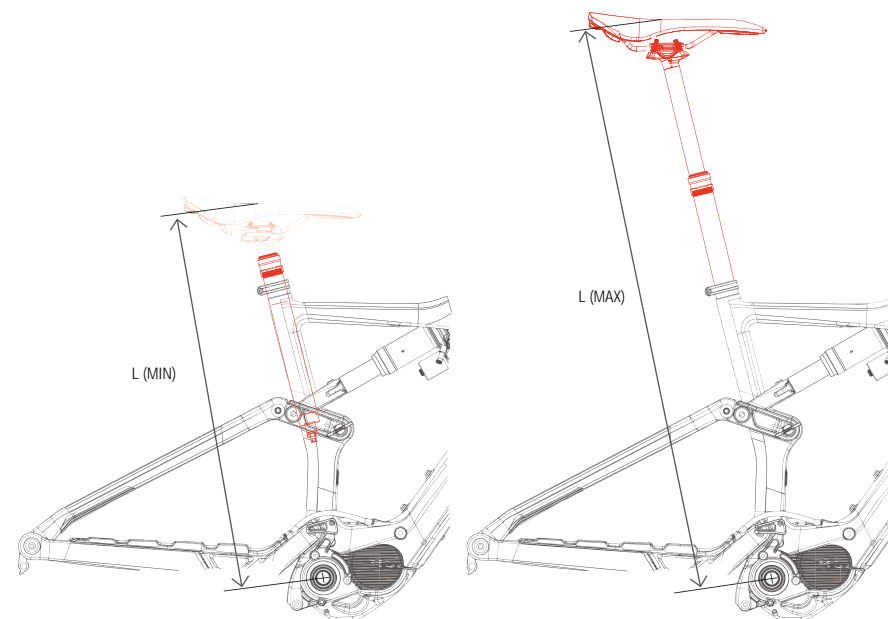
Beim Einsatz anderer auf dem Markt erhältlichen Sättel können diese Werte je nach Höhe des Sattelmodells um +/- 5 mm abweichen. Sollte deine Sitzhöhe um weniger als 5 mm von den hier angegebenen Werten abweichen, könnte die Wahl eines anderen auf dem Markt erhältlichen Sattelmodells diesen Unterschied gegebenenfalls ausgleichen.

Sollte deine Sitzhöhe um mehr als 5 mm von den hier angegebenen Werten abweichen, musst du eine Vario-Sattelstütze mit entsprechend höherem oder geringerem Federweg wählen.

### RAHMEN/GRÖSSE

MODELL VARIO SATTELSTÜTZE	SITZHÖHEN-LIMIT	RISE (S)	RISE (M)	RISE (L)	RISE (XL)
OC2 31,6 125mm	Minimal	627mm*	650mm*	691mm*	738mm*
	Maximal	741mm*	778mm*	818mm*	866mm*
OC2 31,6 150mm	Minimal	675mm*	675mm*	713mm*	763mm*
	Maximal	790mm*	827mm*	866mm*	918mm*
OC2 31,6 170mm	Minimal	716mm*	717mm*	734mm*	785mm*
	Maximal	831mm*	866mm*	908mm*	957mm*
FOX TRANSFER 31,6 125mm	Minimal	598mm*	630mm*	670mm*	718mm*
	Maximal	692mm*	730mm*	769mm*	820mm*
FOX TRANSFER 31,6 150mm	Minimal	652mm*	654mm*	695mm*	744mm*
	Maximal	746mm*	782mm*	824mm*	874mm*
FOX TRANSFER 31,6 175mm	Minimal	709mm*	708mm*	720mm*	768mm*
	Maximal	804mm*	840mm*	881mm*	930mm*

\* Die Werte können je nach Höhe des Sattelmodells um +/-5mm abweichen.



# 10 TECHNISCHE DATEN

## RISE

<b>RAHMENMATERIAL</b>	
Hauptrahmen	ORBEA OMR CARBON
Hinterbau (Ketten- und Sitzstreben)	ORBEA OMR CARBON
Wippe	ALUMINIUM
Empfohlener Einsatz	TRAIL, ALL-MOUNTAIN
Größen	S, M, L, XL
Dämpferdesign	CONCENTRIC BOOST 2 PIVOT
Federweg der Gabel	140mm (optional 150mm)
Maximale Länge der Gabel (Ache zu Steuerrohr)	561mm
Gabel-Offset	44mm
Hinterer Federweg	140mm
<b>DÄMPFERABMESSUNGEN</b>	
Dämpfer-Hardware	METRISCH. 210x55
Rahmen	8x21.84mm
Dämpferverlängerung	8x15.75mm
Empfohlener SAG	25%-30%
Steuersatz	integriert. 1 1/8" - 1 1/2"
Steuersatz-Spacer (maximal)	30mm
Tretlager	MOTOR SHIMANO EP8 ACHSE
Kettenlinie	BOOST 53mm
Laufradgröße	29"
Maximale Größe des Hinterrreifens	2,5
Maximale Größe des Vorderreifens	Abhängig von der Gabel
Montage des Shimano Sensormagneten	An der hinteren Brems Scheibe
Standard der Hinterradachse	BOOST 12x148
Abmessungen der Hinterradachse	12x187mm
Gewindesteigung der Hinterradachse	1,5mm
Gewindelänge der Hinterradachse	15mm
Durchmesser der Sattelstütze	31,6mm
Durchmesser der Sattelklemme	35mm

<b>MAXIMALER EINSCHUB DER SATTELSTÜTZE</b>	
S	222mm
M	255mm
L	300mm
XL	350mm
Vario-Sattelstütze mit interner Kabelführung möglich	JA
Umwerfer	NEIN
Kompatible Kettenblätter	Shimano STEPS spline. 12x. Kettenlinie 53mm
Maximale Kettenblattgröße	34T
Minimale Kettenblattgröße	30T
Ovale Kettenblätter möglich	NEIN
Art der Bremsen*	SCHIEBENBREMSE*
Standard der Bremsaufnahme	POST MOUNT
Maximale Brems Scheibengröße	203mm
Minimale Brems Scheibengröße	180mm
Kettenschutz möglich	JA. Kettenschutz Shimano E7000-E8000-EP8
ICGS	NEIN
Verkabelung	Schaltung und Bremsen: intern in Unterrohr und Kettenstreben Vollständig ummantelt. E-Bike-System: intern in Unterrohr und Kettenstreben
Interne Leitung zur Hinterradbremse möglich	JA. Leitung der Hinterradbremse tritt an der linken Kettenstrebe in den Rahmen ein.
Flaschenhalter	1x in allen Größen. Montage des Range Extender Halters oder herkömmlicher Flaschenhalter.
Kompatible Schaltungen	11V > 12V MTB
SHIMANO DI2 MÖGLICH	JA. Schaltwerk
SRAM AXS MÖGLICH	JA
Leistungsmesser möglich	NEIN
Anhängermontage	NEIN
Gepäckträgermontage	NEIN
Schutzblechmontage	NEIN
Kindersitzmontage	NEIN

\* Nicht alle auf dem Markt erhältlichen Bremsmittel und Brems Scheiben sind mit allen Rahmen kompatibel.  
Sämtliche von Orbea aufgeführten Kombinationen wurden entsprechend getestet. Überprüfe vor dem Kauf von Zubehör die Abmessungen und Toleranzen.

# TECHNISCHE DATEN

## SHIMANO EP8 RS

Lies das Hersteller-Handbuch zum Shimano EP8 RS System. Beachte, dass es sich bei den RS Akkus um exklusive Orbea Produkte handelt.

<https://si.shimano.com/api/publish/storage/pdf/en/dm/EP800/DM-EP800-01-ENG.pdf>

### MOTOR SHIMANO EP8.

Nennleistung	250W
Spannung	36V
Typ	BÜRSTENLOSER GLEICHSTROM
Maximales Drehmoment	60Nm
Höchstgeschwindigkeit	25 Km/h(EU) 20 Mph / 32 Kph (US)
Gewicht	2,6 Kg
Unterstützungsprofile	2 (über die Etube-Project-App auswählbar)
Unterstützungsstufen (je Profil)	3 (ECO, TRAIL, BOOST), anpassbar über die Etube-Project-App
Schiebehilfe	JA
Standardverkabelung mit STEPS/di2	EW-SD300

### VERBINDUNGSEINHEIT EW-EN100

Funktionen	Anzeige des Ladestands Anzeige der Unterstützungsstufe Anzeige von Fehlern
Konnektivität	Bluetooth (Shimano Etube-Project-App) ANT Private
Montage	Am Kabel der di2-Schaltung
Standardverkabelung mit STEPS/di2	EW-SD50

### DISPLAY SC-EM800 (OPTIONAL)

Funktionen	Anzeige des Ladestands Anzeige der Unterstützungsstufe Anzeige von Fehlern
Konnektivität	Bluetooth (Shimano Etube-Project-App) ANT PRIVATE
Montage	Am Lenker
Standardverkabelung mit STEPS/di2	EW-SD300

### SCHALTER ZUM WECHSEL DER UNTERSTÜTZUNGSTUFEN SW-EM7000-L / SW-EM800 (OPTIONAL)

Funktionen	Wechsel der Unterstützungsstufe Aktivierung der Schiebehilfe
Montage	Lenker (Klemmendurchmesser 22,2mm)
Standardverkabelung mit STEPS/di2	EM7000-L > EW-SD50 EM800 > EW-SD300

### GESCHWINDIGKEITSENSOR EW-SS301

Montage	An der linken Kettenstrebe, interne Verkabelung
Magnet	An der Brems Scheibe

## INTEGRIERTER AKKU ORBEA RS

Spannung	36V
Kapazität	360 Wh
Gewicht	2,2 Kg
Zellen	LITHIUM-IONEN. 21700
LADEDAUER (2A)	5 STUNDEN
Montage	INTEGRIERT INS UNTERROHR
Verbindung	KABELBAUM ZU MOTOR, LADEBUCHSE UND SYSTEMSCHALTER

## EXTERNER AKKU RANGE EXTENDER RS

Spannung	36V
Kapazität	252 Wh
Gewicht	1,4 Kg
Zellen	LITHIUM-IONEN. 18650
LADEDAUER (2A)	3.5 STUNDEN
Montage	SPEZIELLER FLASCHENHALTER FÜR DAS UNTERROHR
Verbindung	RANGE EXTENDER KABEL MIT LADEBUCHSE DES RISE

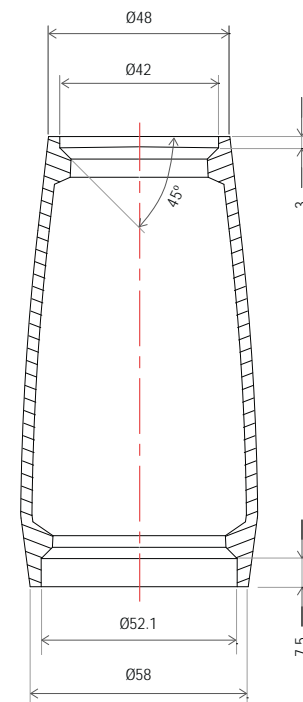
## AKKU-LADEGERÄT RS 2A

Eingang	100V - 240V
Ausgang	42V
Ladestrom	2A

# 11 MONTAGE UND ERSATZTEILE

## STEUERSATZ

### ABMESSUNGEN DES STEUERROHRS

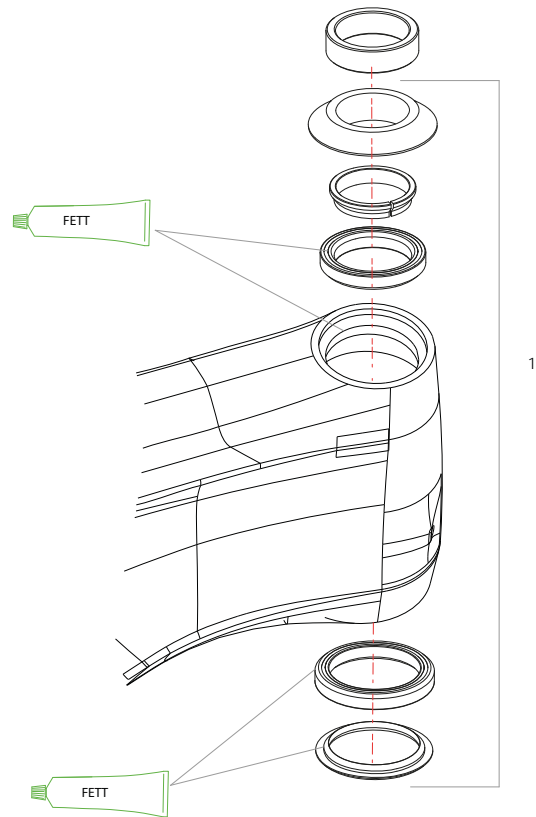


### DATEN ZUM STEUERSATZ







	TYP	ID*	OD**	Berührungswinkel des Kugellagers	Auflagewinkel des Zentrierrings / Gabelkonus	SHIS CODE
OBEN	1-1/8" Integriert	42mm	48mm	45°	45°	IS42/28.6
UNTEN	1-1/2" Integriert	52.1mm	58mm	45°	45°	IS52/40

ID\* Abmessungen des Steuerrohrs  
OD\*\* Abmessungen des Steuerrohrs

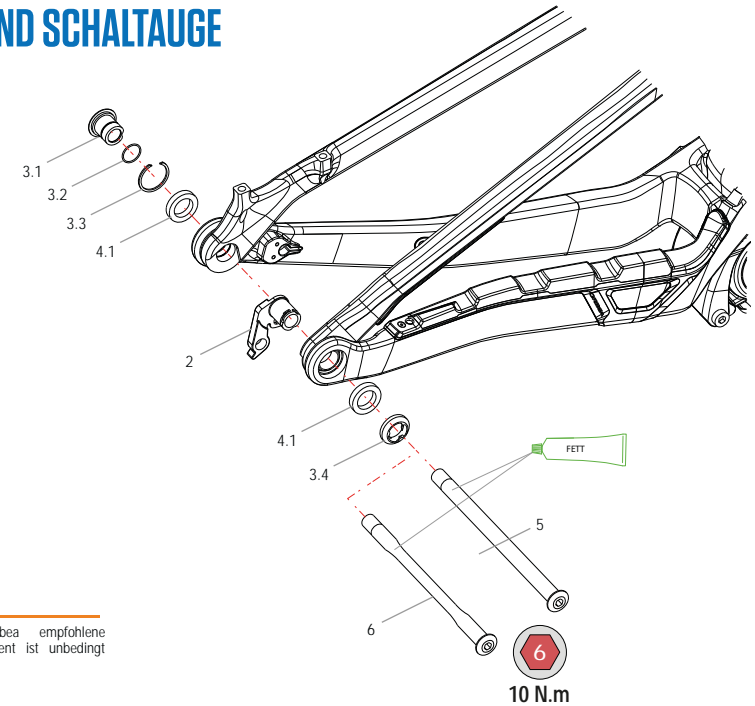
## EXPLOSIONSZEICHNUNG UND MONTAGE DES STEUERSATZES



### 01 INTEGRIERTER STEUERSATZ MTB 1 1/8"-1 1/2"


ART N°: X0230000		ANZAHL
	1.1 VORBAUKAPPE	1
	1.2 STEUERSATZEINSTELLSCHRAUBE	1
	1.3 KRALLE 1 1/8"	1
	1.4 STEUERSATZDECKEL	1
	1.5 ZENTRIERRING	1
	1.6 OBERE LAGERSCHALE	1
	1.7 UNTERE LAGERSCHALE	1
	1.8 GABELKONUS	1

## ACHSEN UND SCHALTAUGE




**⚠** Das von Orbea empfohlene Anzugsdrehmoment ist unbedingt zu beachten:

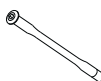
### 02 SCHALTAUGE STANDARD X12 FS 21

ART N°: X1600000		ANZAHL
	SCHALTAUGE STANDARD X12 FS 21	1


### 04 LAGERKIT HINTERRADACHSE FS20

ART N°: X2040000		ANZAHL
	4.1 FIT 6803	2

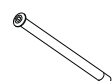
### 06 STECKACHSE BOOST 12x148 LITE (12x187x1.5x15)

ART N°: X2060000		ANZAHL
	STECKACHSE BOOST 12x148 LITE (12x187x1.5x15)	1

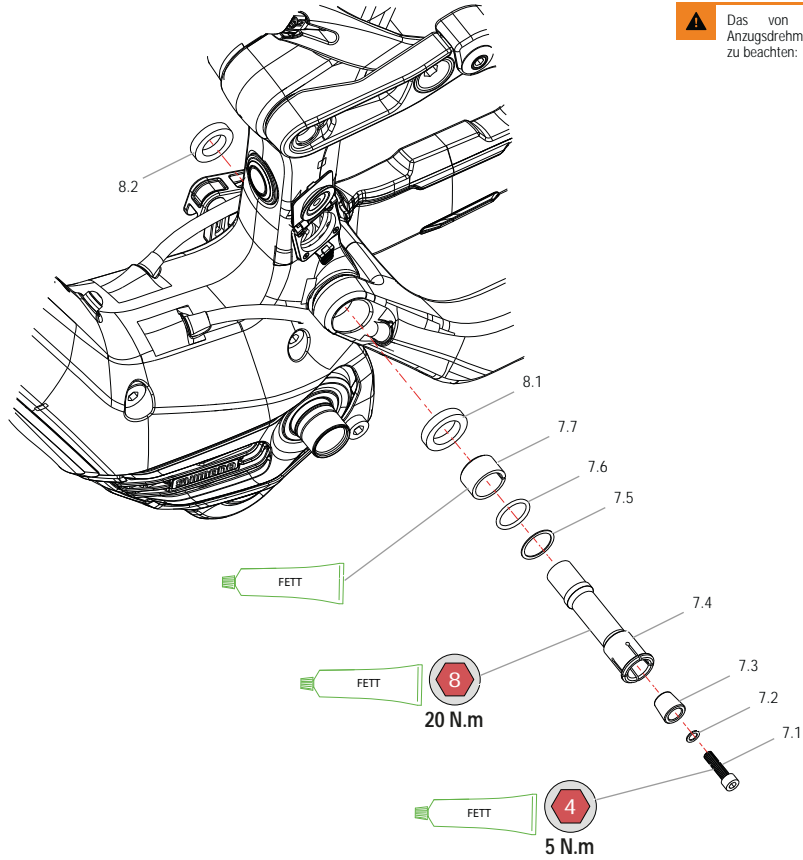
### 03 KLEINTEIL-KIT HINTERRADACHSE FS20 (Schaltauge nicht enthalten)

ART N°: X2030000		ANZAHL
	3.1 SCHRAUBENMUTTER ACHSE LINKS	1
	3.2 O-RING LINKS 13x1 1	1
	3.3 SPRENGRING LINKS SB26mm	1
	3.4 BEFESTIGUNGSSCHRAUBE SCHALTAUGE RECHTS 1	1

### 05 STECKACHSE BOOST 12x148 HOHL (12x187x1.5x15)

ART N°: X2050000		ANZAHL
	STECKACHSE BOOST 12x148 HOHL (12x187x1.5x15)	1

# HAUPTDREHPUNKT DES HINTERBAUS



**⚠** Das von Orbea empfohlene Anzugsdrehmoment ist unbedingt zu beachten.

## 07 KLEINTEIL-KIT. GIRO PPAL RISE-OCCAM M

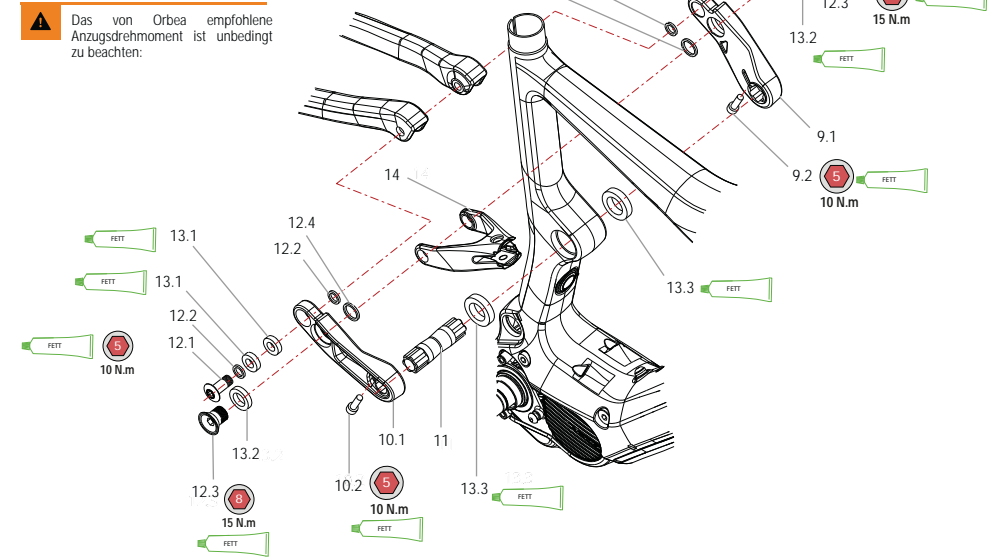
ART N°: X2140000		ANZAHL
7.1	EXPANDERSCHRAUBE M5x20	1
7.2	EXPANDERUNTERLEGSCHIEBE 5x8x0.5	1
7.3	EXPANDERKONUS HAUPTDREHPUNKTACHSE	1
7.4	HAUPTDREHPUNKTACHSE	1
7.5	ACHSUNTERLEGSCHIEBE 17x20.5x0.5	1
7.6	O-RING 16x2	1
7.7	LAGERBUCHSE HAUPTDREHPUNKT	1

## 08 KIT HAUPTDREHPUNKTLAGER RISE-OCCAM M

ART N°: X2150000		ANZAHL
8.1	FIT 6803	1
8.2	FIT 6802	1

# DÄMPFERWIPPE

## EXPLOSIONSZEICHNUNG DER DÄMPFERWIPPE



## 09 KIT WIPPE LINKS RISE (Lager nicht enthalten)

ART N°: X2070000		ANZAHL
9.1	WIPPE LINKS RISE	1
9.2	SCHRAUBE M6x20	1

## 10 KIT WIPPE RECHTS RISE (Lager nicht enthalten)

ART N°: X2080000		ANZAHL
10.1	WIPPE RECHTS RISE	1
10.2	SCHRAUBE M6x20	1

## 11 ACHSE WIPPE RISE

ART N°: X2090000		ANZAHL
	ACHSE WIPPE RISE	1

## 12 KLEINTEIL-KIT WIPPE RISE (beide Seiten)

ART N°: X2100000		ANZAHL
12.1	SCHRAUBE WIPPE- SITZROHR	2
12.2	UNTERLEGSCHIEBE WIPPE- SITZROHR	4
12.3	SCHRAUBE WIPPE- DÄMPFERVERLÄNGERUNG	2
12.4	UNTERLEGSCHIEBE WIPPE-DÄMPFERVERLÄNGERUNG	2

## 13 LAGER-KIT WIPPE OCCAM-RISE

ART N°: X2110000		ANZAHL
13.1	LAGER WIPPE-SITZROHR 6800	4
13.2	LAGER WIPPE- DÄMPFERVERLÄNGERUNG. 6802	2
13.3	LAGER WIPPE-RAHMEN 6804	2

## 14 DÄMPFERVERLÄNGERUNG RISE

ART N°: X2120000		ANZAHL
	DÄMPFERVERLÄNGERUNG RISE	1

## MONTAGE DER DÄMPFERWIPPE

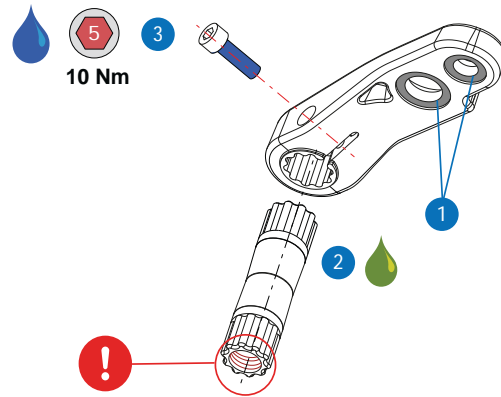
1. Falls nötig, vor Einbau der Wippe die Lager der Wippe austauschen, bzw. montieren.

2. Montiere den linken Arm der Wippe auf der Seite der Achse, die über kein Innengewinde verfügt. Trage ein wenig Fixiermittel für zylindrische Teile auf.

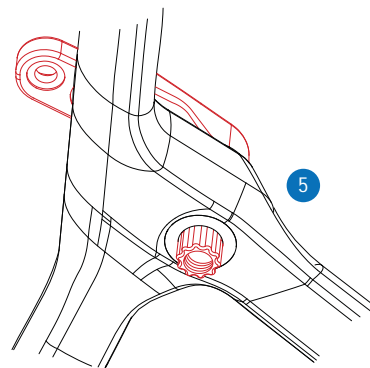
**Die Seite der Achse, die über ein Innengewinde verfügt, muss sich auf der rechten Seite des Rise befinden.**

3. Montiere die Schraube zur Fixierung des linken Arms der Wippe. Trage dazu ein wenig mittelfeste Schraubensicherung auf und beachte das empfohlene Anzugsdrehmoment.

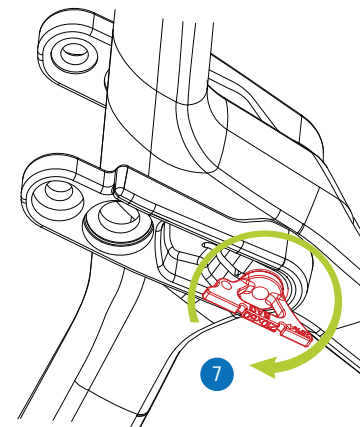
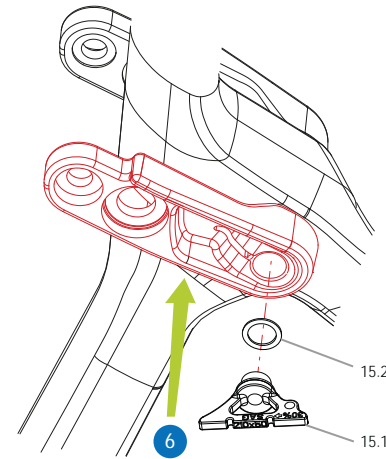
4. Trage ein wenig Fixiermittel für zylindrische Teile auf die Verzahnung der Achse auf.



5. Montiere Achse und linken Arm der Wippe bei bereits im Rahmen installierten Lager im Rahmen. Stelle sicher, dass der linke Arm der Wippe korrekt montiert ist. Die Achse sollte zwischen Wippe und Rahmen nicht zu sehen sein.



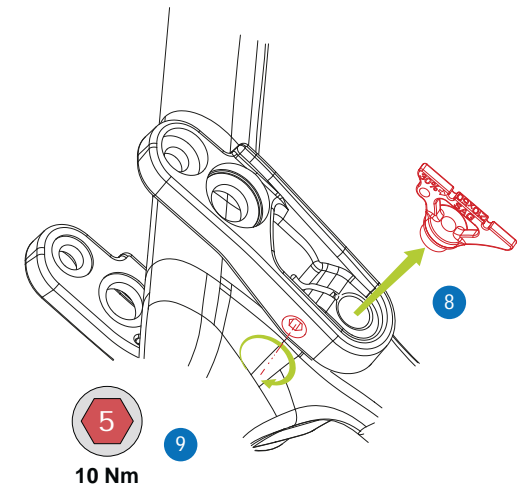
6/7 Montiere den rechten Arm der Wippe. Drehe das Preload-Tool in die Achse und ziehe es fest, bis der rechte Arm der Wippe vollständig montiert ist. Die Achse sollte zwischen Wippe und Rahmen nicht zu sehen sein.





8. Entferne das Preload-Tool und die Unterlegscheibe.

9. Trage ein wenig mittelfeste Schraubensicherung auf die Fixierschraube und ziehe sie mit dem empfohlenen Drehmoment an.

10. Überprüfe, dass die Wippe kein seitliches Spiel hat.



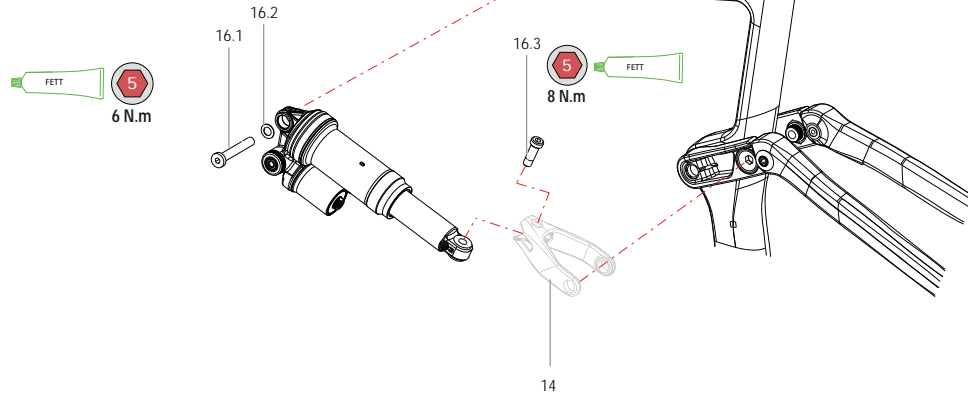
### 15 PRELOAD-TOOL WIPPE OCCAM-RISE

ART N°: X9020000		ANZAHL
	15.1 PRELOAD-SAG-TOOL	1
	15.2 PRELOAD-UNTERLEGSCHIEBE	1



## DÄMPFERMONTAGE

⚠ Das von Orbea empfohlene Anzugsdrehmoment ist unbedingt zu beachten:



### 14 DÄMPFERVERLÄNGERUNG RISE

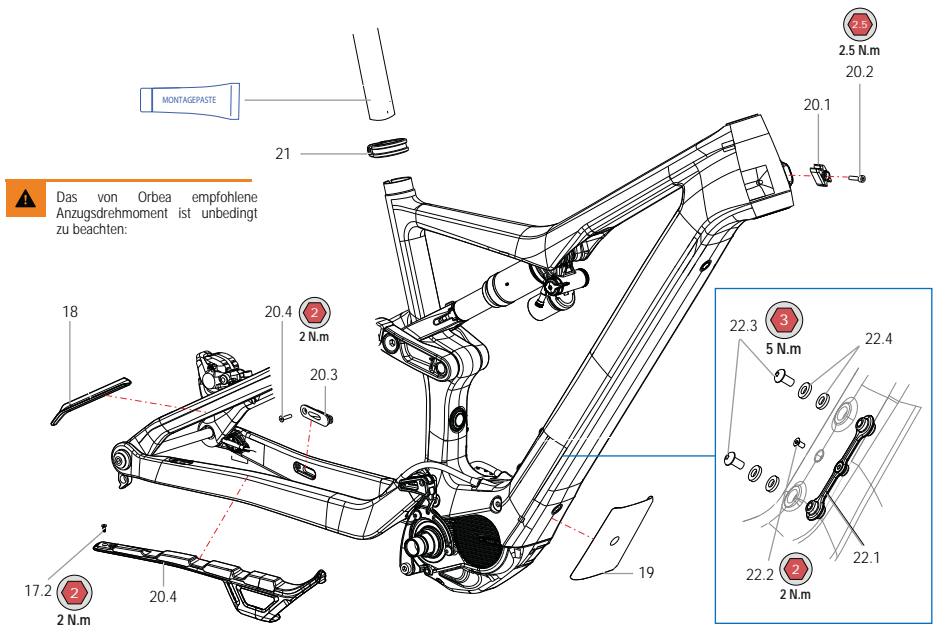
ART N°: X2120000	ANZAHL
DÄMPFERVERLÄNGERUNG RISE	1

### 16 DÄMPFER EINBAUKIT RISE

ART N°: X2130000	ANZAHL
16.1 SCHRAUBE DÄMPFER-RAHMEN	1
16.2 UNTERLEGSCHIBE DÄMPFER-RAHMEN	1
16.3 SCHRAUBE DÄMPFERVERLÄNGERUNG	1

## KLEINTEILE UND PROTEKTOREN FÜR DEN RAHMEN

⚠ Das von Orbea empfohlene Anzugsdrehmoment ist unbedingt zu beachten:



### 17 KUNSTSTOFF KETTENSTREBENSCHUTZ RECHTS

ART N°: X2160000	ANZAHL
17.1 KUNSTSTOFF KETTENSTREBENSCHUTZ RECHTS	1
17.2 SENKKOPFSCHRAUBE M3x12	1

### 19 DURCHSICHTIGER SCHUTZAUFKLEBER UNTERROHR

ART N°: X2190000	ANZAHL
DURCHSICHTIGER SCHUTZAUFKLEBER UNTERROHR	1

### 21 SATTELKLEMME 34.9mm SCHWARZ

ART N°: X2020000	ANZAHL
SATTELKLEMME 34.9mm SCHWARZ	1

### 18 SELBSTKLEBENDER KUNSTSTOFF SITZSTREBENSCHUTZ

ART N°: X2170000	ANZAHL
SELBSTKLEBENDER KUNSTSTOFF SITZSTREBENSCHUTZ	1

### 20 KABELFÜHRUNGS-KIT SCHALTWERK-BREMSE RISE

ART N°: X2190000	ANZAHL
20.1 KABELFÜHRUNG STEUERROHR	1
20.2 SCHRAUBE M3x15	1
20.3 KABELFÜHRUNG BREMSE KETTENSTREBE	1
20.4 SENKKOPFSCHRAUBE M3x12	1
20.5 UNTERLEGSCHIBE 6.2x10x2	1

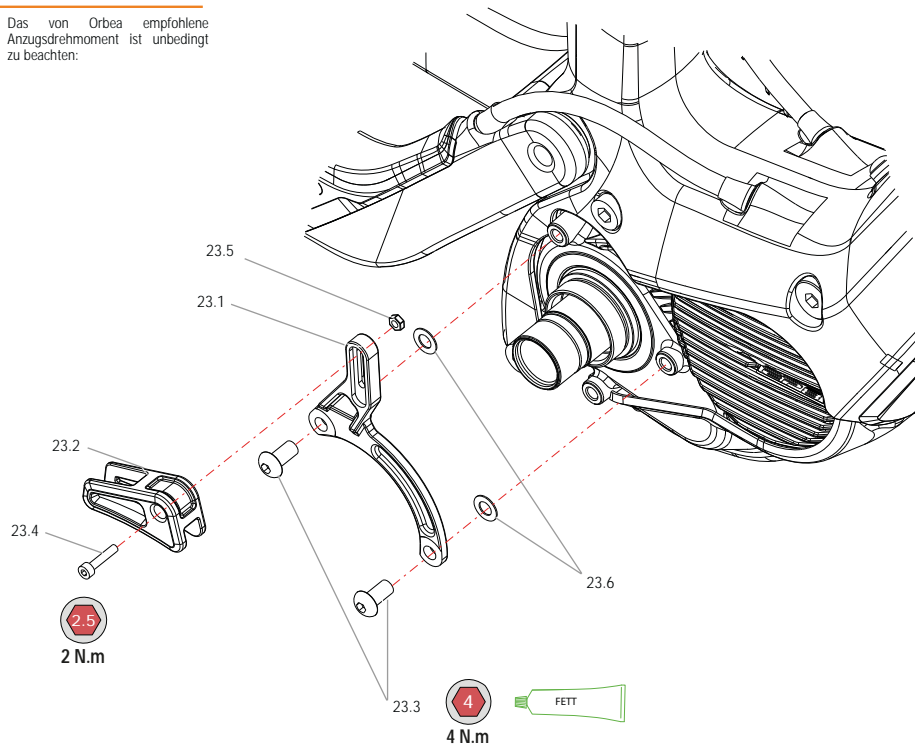
### 22 KIT INNERE FLASCHENHALTERPLATTE RISE

ART N°: X2270000	ANZAHL
22.1 INNERE FLASCHENHALTERPLATTE	1
22.2 SCHRAUBE M3x8 DIN7991 BEFESTIGUNG RAHMEN	1
22.3 SCHRAUBE FLASCHENHALTER M5x10	2
22.4 UNTERLEGSCHIBE 6.2x10x2	4

**HINWEIS** Nutze für die Montage eines herkömmlichen Flaschenhalters oder des Range Extender Halters stets die Originalunterlegscheiben.

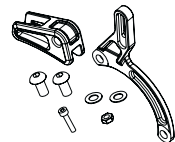
# KETTENFÜHRUNG

**⚠** Das von Orbea empfohlene Anzugsdrehmoment ist unbedingt zu beachten:



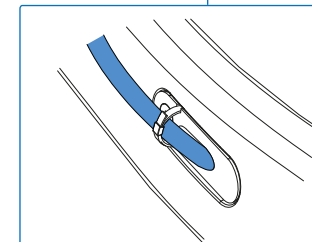
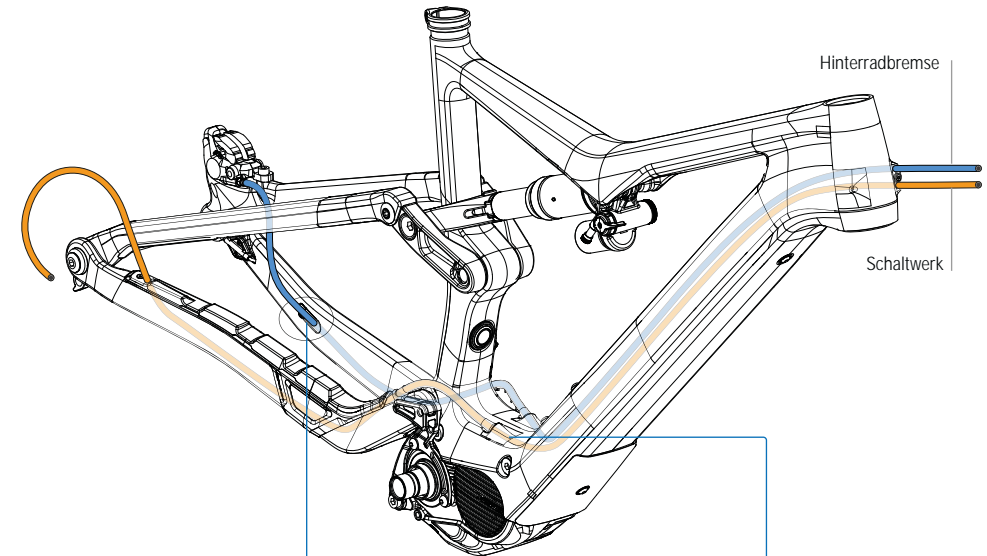
## 23 RISE KETTENFÜHRUNGSKIT

ART N°: X2210000

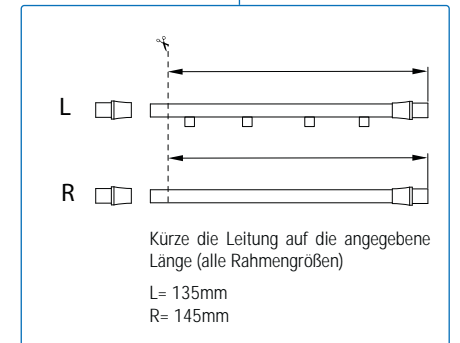


	ANZAHL
23.1 RISE KETTENFÜHRUNGSHALTER	1
23.2 KETTENFÜHRUNG	1
23.3 BEFESTIGUNGSSCHRAUBE EP8 MOTOR	2
23.4 SCHRAUBE M3X15	1
23.5 SCHRAUBENMÜTTER M3 BEFESTIGUNG KETTENFÜHRUNG	1
23.6 UNTERLEGSCHIBE M6	2

# VERBINDUNG VON SCHALTWERK UND HINTERRADBREMSE

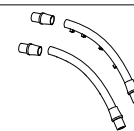


Fixiere die Bremsleitung mit dem mitgelieferten Kabelbinder an der Kabelführung, um ein Scheuern an den Speichen zu verhindern.



## 24 ZUGHÜLLENKIT HINTERBAU RISE

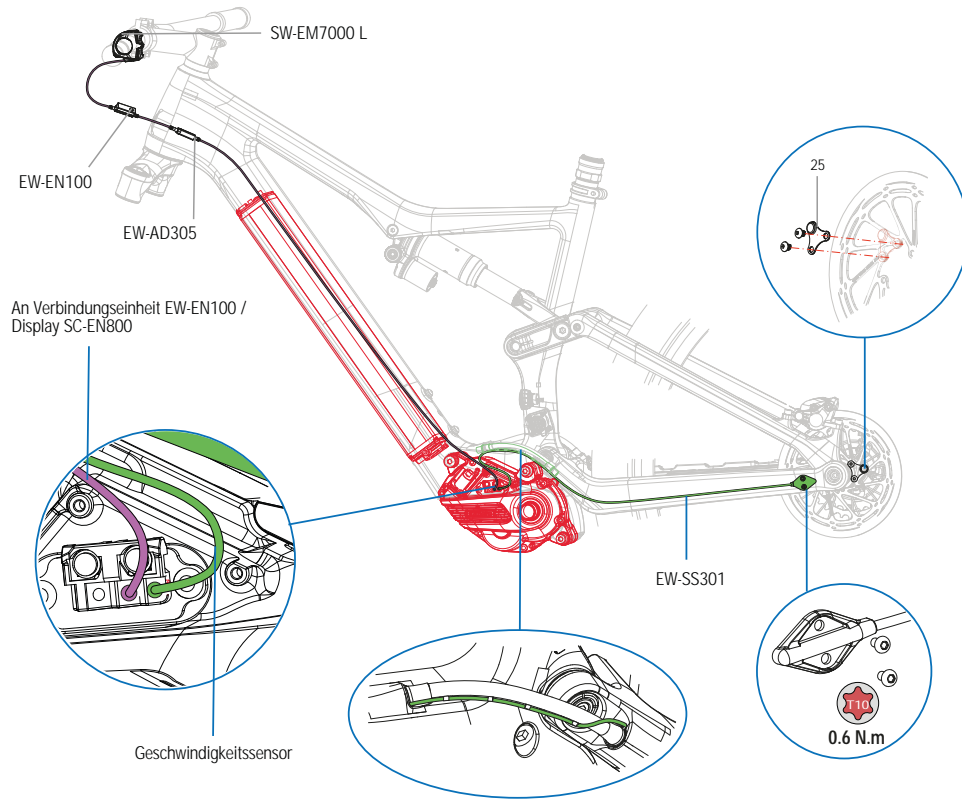
ART N°: X2020000



	ANZAHL
ZUGHÜLLE FS (EINHEITSGROSSE)	1
ZUGHÜLLE FS CLIP SENSOR (EINHEITSGROSSE)	1
ENDKAPPE ZUGHÜLLE FS	2

## VERBINDEN DER KOMPONENTEN DES SHIMANO EP8 SYSTEMS

### MONTAGE MIT DER VERBINDUNGSEINHEIT EW-EN100 (OHNE DISPLAY)



### 25 MAGNET GESCHWINDIGKEITSSENSOR BREMSSCHEIBE 6-LOCH

ART N°: X2400000

ANZAHL

MAGNET GESCHWINDIGKEITSSENSOR  
BREMSSCHEIBE 6-LOCH

1



#### HINWEIS



Für die Montage der Komponenten des Motorsystems werden fortgeschrittene Kenntnisse benötigt, welche die Kenntnisse der meisten Nutzer übersteigen. Wende dich zur Diagnose, Reparatur und Montage von Komponenten des Motorsystems des Rise stets an einen offiziellen Händler.

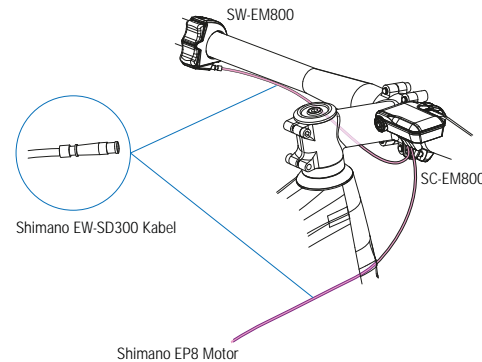
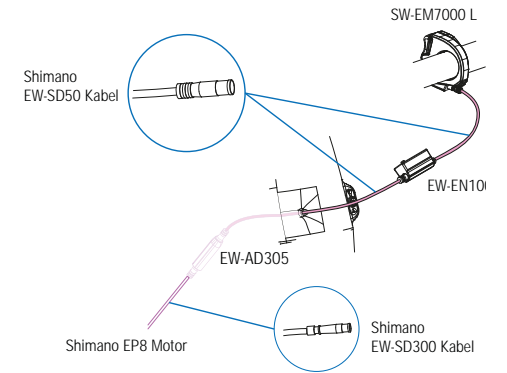
Schäden an den Komponenten, die auf eine unsachgemäße Montage zurückzuführen sind, können dazu führen, dass die Garantie für diese Komponenten erlischt.

### UNTERSCHIEDE BEI DER VERBINDUNG BEI MONTAGE DER VERBINDUNGSEINHEIT EW-EN100 (OHNE DISPLAY) UND DER MONTAGE MIT DEM DISPLAY SC-EM800 (OPTIONAL)

Mit der Verbindungseinheit Shimano EW-EN100 ausgestattete Systeme nutzen Shimano STEPS/DI2 Standardkabel EW-SD50 zum Anschluss des Unterstützungsstufenschalters an die Verbindungseinheit.

Ein Standardkabel SD50 führt von der Verbindungseinheit über einen Adapter EW-AD305 in den Rahmen, wo es als dünneres Kabel SW-SD300 an den Motor EP8 RS angeschlossen wird.

Die Elektrokabel EW-SD300 werden standardmäßig zur Verbindung des EP8-Systems verwendet.



Mit dem Display SC-EM800 ausgestattete Systeme nutzen den neuen Kabelstandard EW-SD300 zum Anschluss des Unterstützungsstufenschalters ans Display und des Displays an den Motor. Der Adapter EW-AD305 wird hier nicht benötigt.

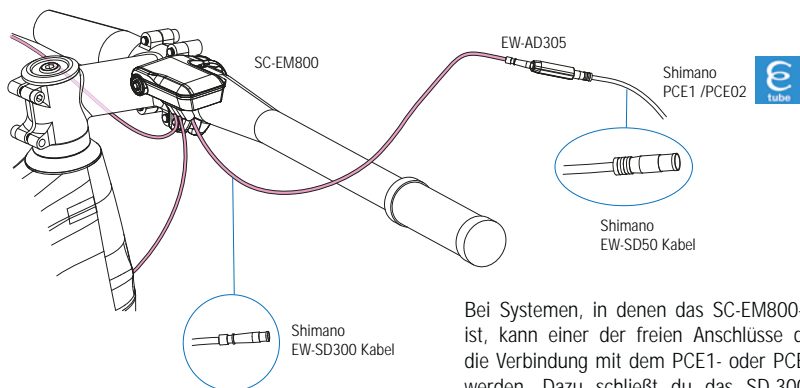
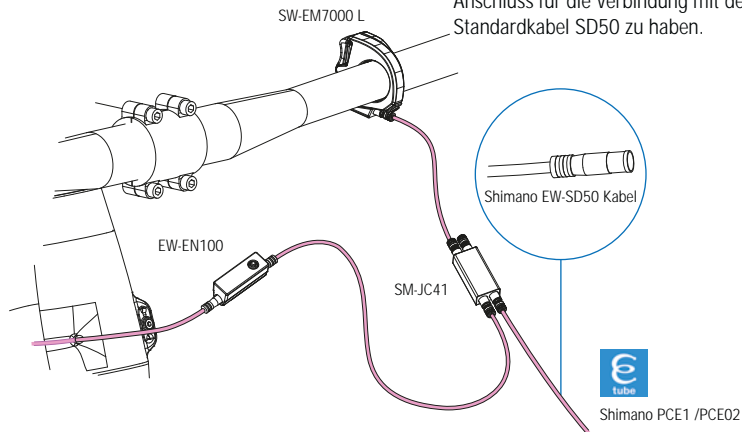
## VERBINDEN DES EP8 SYSTEMS DES RISE MIT ETUBE PROFESSIONAL PER PCE1 / PCE02. HÄNDLERINFORMATIONEN

Über die Etube-Project-App kannst du dein Smartphone mit deinem Rad verbinden, das System individuell anpassen und bestimmte Diagnosen selbst durchführen.

Um mit der App auf alle Informationen des Shimano EP8 zugreifen zu können, musst du ein Software-Update auf Etube Project V4 durchführen:

**HINWEIS** Die Verbindung und Auswertung des Shimano-Steps-Systems mit Etube Professional muss von einem autorisierten Händler vorgenommen werden.

<https://bike.shimano.com/en-EU/e-tube/project.html>  
Für den Anschluss von Systemen mit der Verbindungseinheit EW-EN100 sind die Verbindungseinheit SM-JC41 und ein zusätzliches SD50-Kabel notwendig, um einen freien Anschluss für die Verbindung mit dem Computer über das Standardkabel SD50 zu haben.



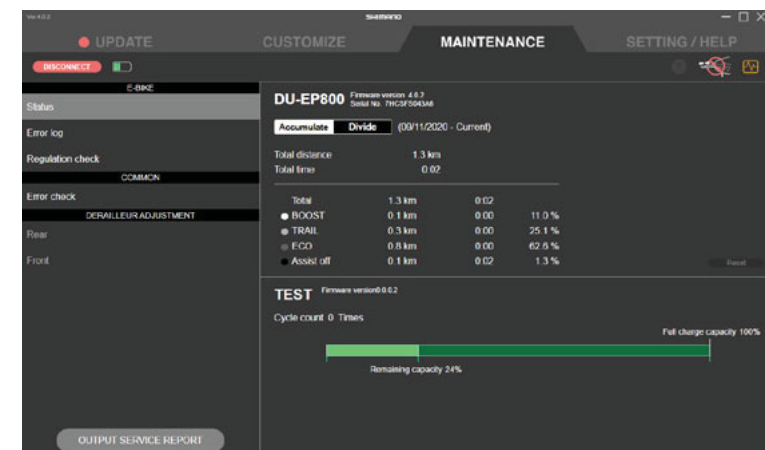
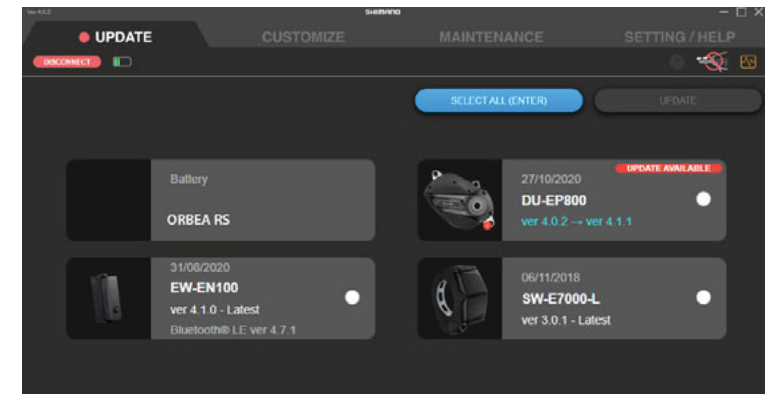
Bei Systemen, in denen das SC-EM800-Display verbaut ist, kann einer der freien Anschlüsse des Displays für die Verbindung mit dem PCE1- oder PCE02-Tool genutzt werden. Dazu schließt du das SD-300-Kabel an das Display an und verbindest es über den Adapter EW-AD305 mit dem Standardkabel SD50, welches du wiederum an das Diagnosetool PCE1 oder PCE02 anschließt.

## ORBEA RS AKKU IN ETUBE PROFESSIONAL

Der Orbea RS Akku wird beim Verbinden des Systems über die Diagnose-Tools PCE1 oder PCE02 mit Etube Professional als Teil des Shimano EP8 RS Systems angezeigt.

Über das Diagnose-Tool PCE02 kannst du im Fenster „Wartung“ auf wichtige Informationen zum Akku zurückgreifen, etwa die Firmware-Version oder die Anzahl der Ladezyklen.

**HINWEIS** Im Abschnitt „Wichtige Informationen zu den RS Akkus“ erfährst du mehr zur Pflege und Fehleranalyse der RS Akkus.



## VERBINDEN DER ORBEA RS KOMPONENTEN

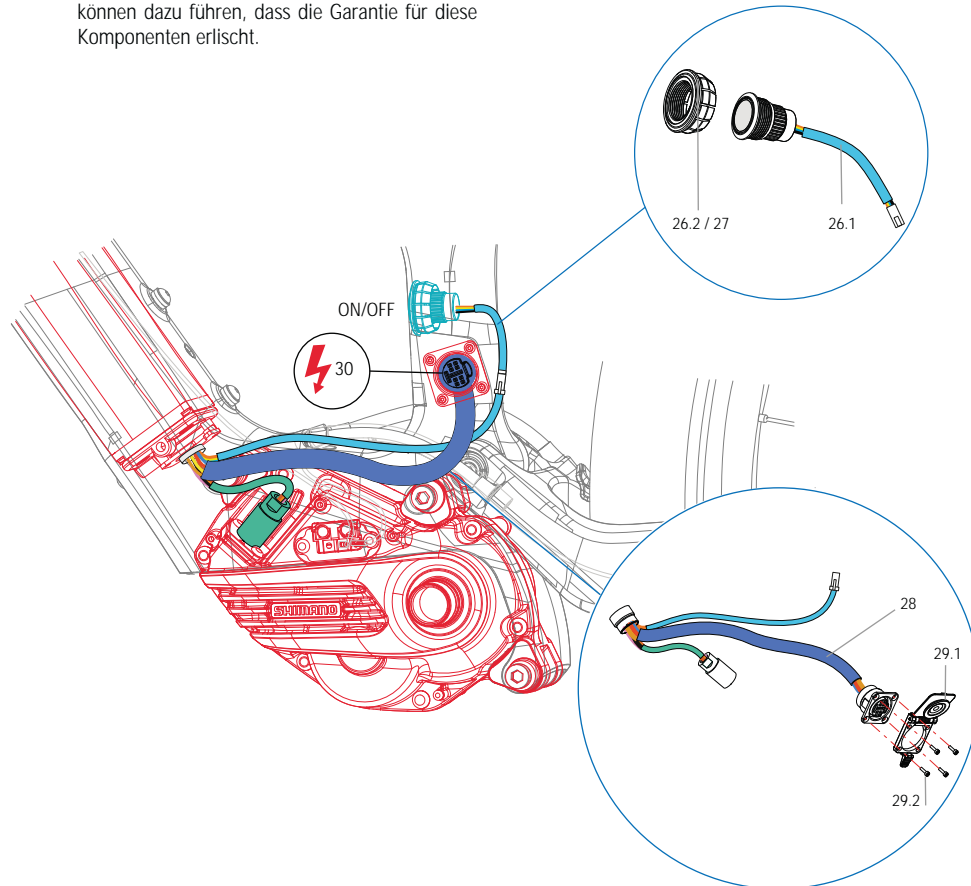
AVISO



Für die Montage der Komponenten des Motorsystems werden fortgeschrittene Kenntnisse benötigt, welche die Kenntnisse der meisten Nutzer übersteigen. Wende dich zur Diagnose, Reparatur und Montage von Komponenten des Motorsystems des Rise stets an einen offiziellen Händler.

Schäden an den Komponenten, die auf eine unsachgemäße Montage zurückzuführen sind, können dazu führen, dass die Garantie für diese Komponenten erlischt.

Zur Verbindung des integrierten RS Akkus mit dem Motor kommen am Rise bestimmte, exklusive Orbea-Komponenten zum Einsatz. Auch das Ladegerät und die Ladebuchse sind exklusive Bestandteile des RS-Systems.



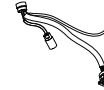
### 26 EINSCHALTKNOPF RISE

ART N°: X2360000		ANZAHL
26.1	EINSCHALTKNOPF+KABEL	1
26.2	HALTERUNGSLIP EINSCHALTKNOPF SITZROHR	1



### 28 LADEBUCHSE+KABELBAUM RS

ART N°: X2380000		ANZAHL
	Der Kabelbaum umfasst die Ladebuchse, die Verbindung zum Motor, zum Akku und zum Einschaltknopf.	1



### 30 AKKU-LADEGERÄT RS 36V 2A

X2320000	AKKU-LADEGERÄT RS 36V 2A (EU)
X2320100	AKKU-LADEGERÄT RS 36V 2A (USA)
X2320200	AKKU-LADEGERÄT RS 36V 2A (UK)
X2320300	AKKU-LADEGERÄT RS 36V 2A (AUS)

Der jeweilige Code steht für das RS Ladegerät mit dem entsprechenden Ladekabel.



## AUSTAUSCH VON KOMPONENTEN

### AUSTAUSCH DES EINSCHALTKNOPFS

Der Einschaltknopf des Rise lässt sich ohne Ausbau des EP8 RS Motors austauschen. Verwende einen kleinen Schraubenzieher, um die Halterung am Sitzrohr zu lösen, ohne dabei den Lack zu beschädigen.

Zieh vorsichtig das Kabel, das Einschaltknopf und Kabelbaum verbindet, ein kleines Stück heraus und trenne es vom Einschaltknopf. Setze den neuen Knopf ein und drücke den Halterungsclip fest in das Sitzrohr.

### 27 HALTERUNGSLIP EINSCHALTKNOPF RISE

ART N°: X2370000		ANZAHL
	HALTERUNGSLIP EINSCHALTKNOPF SITZROHR	1



### 29 LADEBUCHSENABDECKUNG RISE

ART N°: X2390000		ANZAHL
29.1	LADEBUCHSENABDECKUNG RISE	1
29.2	SCHRAUBE M2x8	4

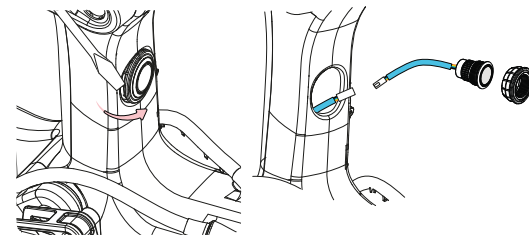


### AUSTAUSCH DES KABELBAUMS

Der Kabelbaum umfasst die Ladebuchse sowie die Kabel zum Anschluss von Motor, integriertem Akku und Einschaltknopf. Um den Kabelbaum auszutauschen, muss zunächst der Motor ausgebaut werden.

Anschließend trennst du die Kabel zum Akku, zum Motor und zum Einschaltknopf und ziehst den Kabelbaum durch die Öffnung für die Ladebuchse aus dem Rahmen.

Den neuen Kabelbaum führst du wiederum, beginnend mit den Anschlüssen zu Akku, Motor und Einschaltknopf, durch die Öffnung für die Ladebuchse in den Rahmen.



HINWEIS



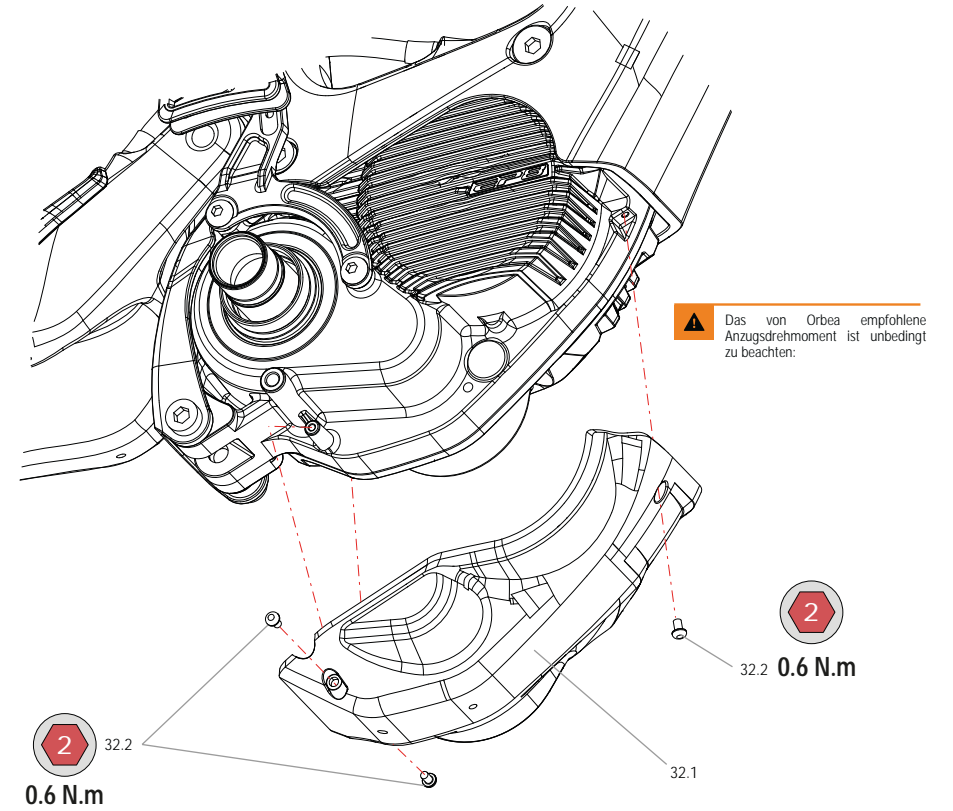
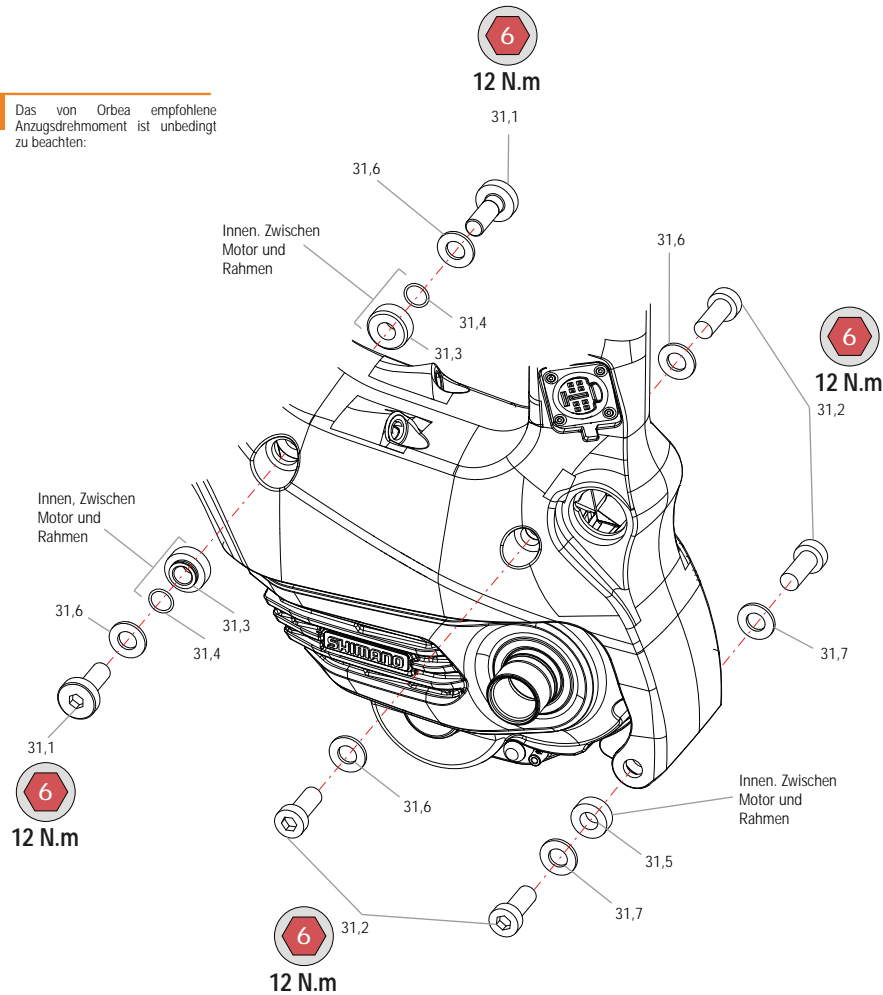
Für die Montage der Komponenten des Motorsystems werden fortgeschrittene Kenntnisse benötigt, welche die Kenntnisse der meisten Nutzer übersteigen.

Wende dich zur Diagnose, Reparatur und Montage von Komponenten des Motorsystems des Rise stets an einen offiziellen Händler.

Schäden an den Komponenten, die auf eine unsachgemäße Montage zurückzuführen sind, können dazu führen, dass die Garantie für diese Komponenten erlischt.

# BEFESTIGUNG DES EP8 RS MOTORS

**⚠** Das von Orbea empfohlene Anzugsdrehmoment ist unbedingt zu beachten:



## 31 BEFESTIGUNGSSET MOTOR EP8 RS RISE

ART N°: X2310000		ANZAHL
31.1	BEFESTIGUNGSSCHRAUBE MOTOR M8x22 12Nm	2
31.2	BEFESTIGUNGSSCHRAUBE MOTOR M8 GEWINDE 1.25 12Nm	4
31.3	VORDERER DISTANZRING MOTORBEFESTIGUNG	2
31.4	O-RING 10x1	2
31.5	HINTERER DISTANZRING MOTORBEFESTIGUNG	1
31.6	UNTERLEGSCHIBE 13mm	4
31.7	UNTERLEGSCHIBE M8 DIN 125 DS	2

## 32 MOTORSCHUTZ EP8

ART N°: X2300000		ANZAHL
32.1	UNTERE SCHUTZABDECKUNG FÜR MOTOR EP8	1
32.2	BEFESTIGUNGSSCHRAUBE FÜR MOTORSCHUTZ	3

## INTEGRIERTER ORBEA RS AKKU

**HINWEIS** Lies die Hinweise zu Pflege, Einsatz, Aufladen und Aufbewahrung der RS-Akkus im Kapitel „Hinweise zur Nutzung der Bestandteile des Motorsystems“ in diesem Handbuch.

Lies zudem die Hinweise zum Ladevorgang, Einschalten und Überprüfung des Ladestands im Kapitel „Verwendung des Rise“ in diesem Handbuch.

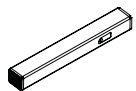
Im Kapitel „Wichtige Informationen zu den RS Akkus“ findest du weitere wichtige Hinweise zu Einsatz, Pflege und Problemlösung rund um den integrierten Akku und den Range Extender.

## TECHNISCHE DATEN DES INTEGRIERTEN AKKUS

SPANNUNG	36V
KAPAZITÄT	360 Wh
GEWICHT	2,2 Kg
ZELLEN	LITHIUM-IONEN. 21700
LADEDAUER (2A)	5 STUNDEN
MONTAGE	INTEGRIERT INS UNTERROHR
VERBINDUNG	KABELBAUM ZU MOTOR, LADEBUCHSE UND SYSTEMSCHALTER

### 33 INTEGRIERTER ORBEA RS AKKU 360 Wh 36V

ART N°: X2220000 ANZAHL



Der integrierte RS Akku des Rise ist als Ersatzteil für den Tausch im Garantiefall oder aufgrund der normalen Alterung über autorisierte Händler erhältlich.

1

### 35 BEFESTIGUNGSSCHRAUBEN INTEGRIERTER AKKU RISE

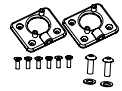
ART N°: X2470000 ANZAHL



35.1 BEFESTIGUNGSSCHRAUBEN RAHMENHALTERUNG M6x12 2  
35.2 UNTERLEGSCHIBE 6x11x0.5 2

### 34 KIT HALTERUNG INTEGRIERTER AKKU RISE

ART N°: X2280000 ANZAHL



34.1 RAHMENHALTERUNG ALUMINIUM INTEGRIERTER AKKU 2  
34.2 BEFESTIGUNGSSCHRAUBEN AKKUHALTERUNG 6  
34.3 BEFESTIGUNGSSCHRAUBEN RAHMENHALTERUNG M6x12 2  
34.4 UNTERLEGSCHIBE 6x11x0.5 2

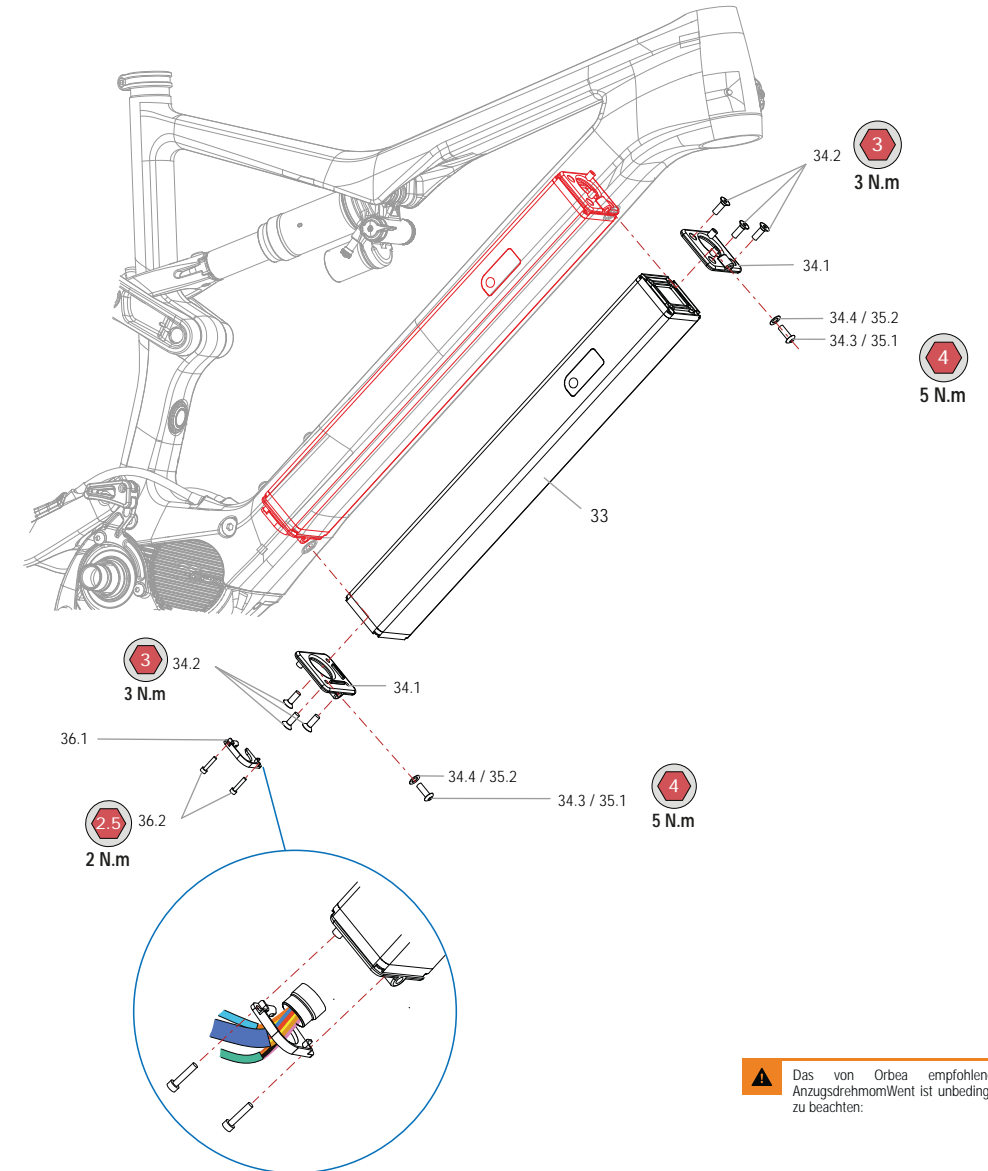
### 36 KABELANSCHLUSSPLATTE AKKU RISE

ART N°: X2290000 ANZAHL



36.1 KUNSTSTOFF-KABELPLATTE AKKU 1  
36.2 BEFESTIGUNGSSCHRAUBEN 2

## INSTALLATION DES INTEGRIERTEN AKKUS IM RAHMEN



**⚠** Das von Orbea empfohlene Anzugsdrehmoment ist unbedingt zu beachten.

## AUSBAU DES INTEGRIERTEN ORBEA RS AKKUS. HÄNDLERINFORMATIONEN

### HINWEIS



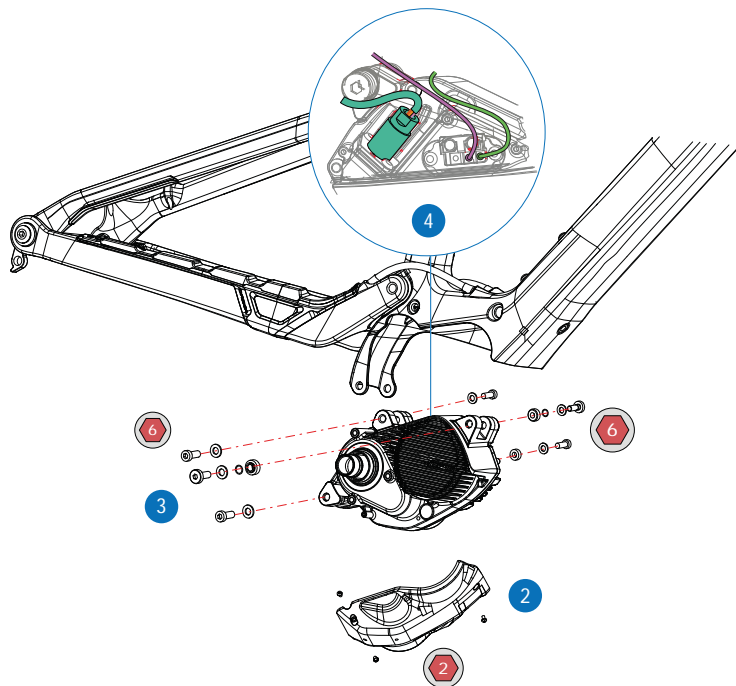
Für die Montage der Komponenten des Motorsystems werden fortgeschrittene Kenntnisse benötigt, welche die Kenntnisse der meisten Nutzer übersteigen.

Wende dich zur Diagnose, Reparatur und Montage von Komponenten des Motorsystems des Rise stets an einen offiziellen Händler.

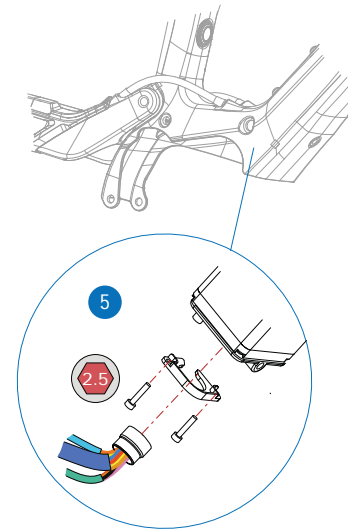
Schäden an den Komponenten, die auf eine unsachgemäße Montage zurückzuführen sind, können dazu führen, dass die Garantie für diese Komponenten erlischt.

Orbea empfiehlt den Austausch des integrierten Akkus nur von einem autorisierten Orbea Händler durchführen zu lassen, da hierzu die Demontage wesentlicher Komponenten des Fahrrads und des Motorsystems notwendig sind. Solltest du den Akku entfernen wollen, um mit dem Fahrrad zu verreisen, bring das Fahrrad stets zu einem Orbea Händler, um Beschädigungen zu vermeiden und die ordnungsgemäße und sichere Funktion sämtlicher Komponenten zu gewährleisten.

1. Entferne die Kurbeln und das Kettenblatt vom EP8 RS Motor.
2. Entferne den Motorschutz.
3. Entferne sämtliche Schrauben, Unterlegscheiben und Distanzringe zur Befestigung des Motors am Rahmen.
4. Halte den Motor fest, damit er nicht an den Kabeln zieht. Entferne das Stromkabel des Motors sowie die Kabel des Geschwindigkeitssensors und des Displays.

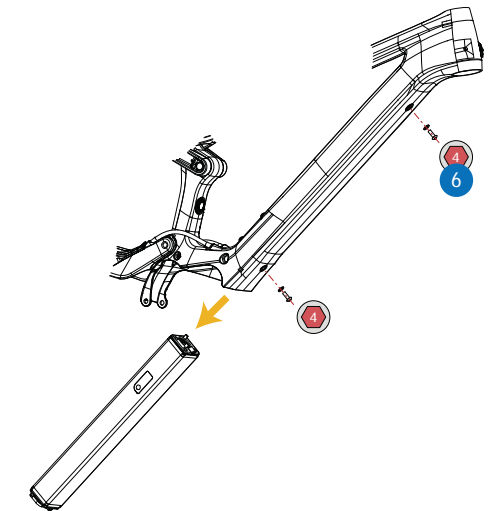


5. Entferne bei noch im Rahmen befindlichem Akku die Kabelanschlussplatte vom Akku und ziehe das Stromkabel ab.

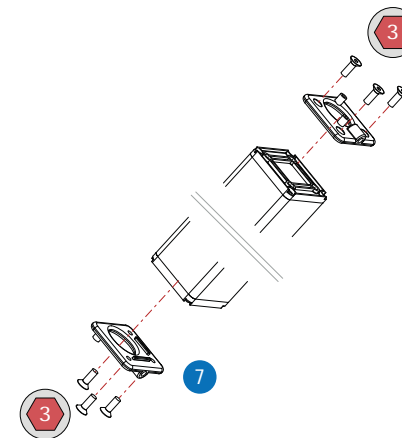


6. Entferne die Befestigungsschrauben des Akkus aus dem Unterrohr und ziehe den Akku vorsichtig aus dem Rahmen, um Beschädigungen an den Kabeln im Inneren des Unterrohrs zu vermeiden.

7. Wenn der Akku ausgetauscht werden soll, entferne die Halterung zur Befestigung des Akkus im Unterrohr.



8. Zur Montage eines neuen Akkus führst du diese Schritte in umgekehrter Reihenfolge durch. Die Reihenfolge der Montage der einzelnen Komponenten und die empfohlenen Anzugsdrehmomente findest du in den entsprechenden Bebilderungen in diesem Handbuch.





## EXTERNER ZUSATZAKKU ORBEA RANGE EXTENDER

Angeschlossen an das Motorsystem deines Orbea Rise liefert der externe Orbea Range Extender RS Akku 252 Wh zusätzliche Energie. Gemeinsam mit dem integrierten Akku des Rise erhöht sich die Gesamtkapazität so auf 612 Wh. Das entspricht einer Steigerung der Reichweite von rund 70 % im Vergleich zur Fahrt ohne Range Extender.

### TECHNISCHE DATEN DES RANGE EXTENDERS

SPANNUNG	36V
KAPAZITÄT	252 Wh
GEWICHT	1,4 Kg
ZELLEN	LITHIUM-IONEN. 18650
LADEDAUER (2A)	3,5 STUNDEN
MONTAGE	SPEZIELLER FLASCHENHALTER FÜR DAS UNTERROHR
VERBINDUNG	RANGE EXTENDER KABEL MIT LADEBUCHSE DES RISE

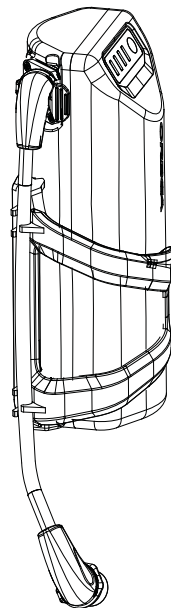
### MONTAGE DES RANGE EXTENDER

Montiere den speziellen Range Extender Flaschenhalter am Unterrohr des Rise. Ziehe die Befestigungsschrauben mit einem Drehmoment von 5 Nm an.

Entferne vor der Montage des Range Extender Flaschenhalters die vier am Rahmen vormontierten Unterlegscheiben. Überprüfe nach der Montage, dass die sechs Kontaktpunkte des Flaschenhalters korrekt am Unterrohr aufliegen.

Setze den Range Extender Akku in den Flaschenhalter und fixiere ihn mit dem Sicherungsgummi.

Wenn der Range Extender nicht am Fahrrad montiert ist, kannst du den speziellen Range Extender Flaschenhalter auch für herkömmliche Trinkflaschen nutzen.



### VERBINDEN DES RANGE EXTENDER MIT DEM RISE

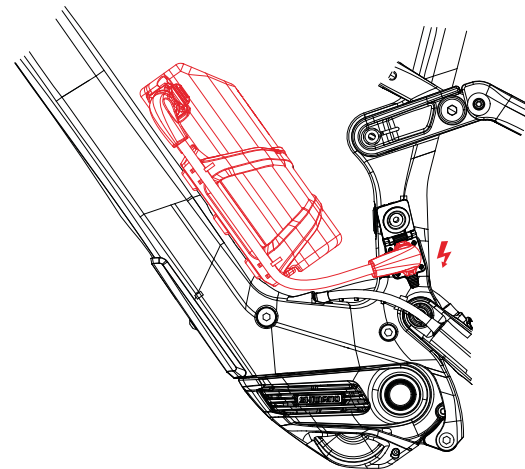
Schließe das Verbindungskabel des Range Extenders an der Ladebuchse des Range Extenders an. Öffne die Abdeckung der Ladebuchse am Orbea Rise und schließe das andere Ende des Verbindungskabels an.

#### HINWEIS

Sollte das Orbea Rise während des Anschließens des Range Extenders an der Ladebuchse des Fahrrads eingeschaltet sein, schaltet sich das System ab und muss neu gestartet werden. Dieser Vorgang ist notwendig, damit das System bei Neustart den Range Extender Akku als Teil des Motorsystems erkennen kann.

Solltest du mit der Orbea RS Toolbox App eine Aktivität über Garmin Connect aufzeichnen, hat dieser Neustart keinen Einfluss auf die Aufzeichnung der Daten des Orbea Rise zu Garmin Connect. Die Daten der Aktivität werden weiter aufgezeichnet, wenn du das Rise wieder nutzt.

Wurde das Fahrrad einmal bei verbundenem Range Extender gestartet, ist der Range Extender einsatzbereit. Der Range Extender muss nicht extra gestartet werden.



### FUNKTIONSWEISE DES RANGE EXTENDER

Der Range Extender versorgt den Shimano EP8 RS Motor unmittelbar mit Energie. Beim Einsatz des Orbea Rise mit verbundenem Range Extender versorgt ausschließlich der Range Extender den Motor mit Strom, bis seine Reserven erschöpft sind. Erst im Anschluss daran versorgt der integrierte Akku des Orbea Rise den Motor mit Strom – vorausgesetzt der integrierte Akku verfügt über eine entsprechende Restladung.

## ANZEIGE DES LADESTANDES

### KOMBINIERTER LADESTAND

Wenn der Range Extender mit dem Orbea Rise verbunden ist (wenn das Orbea Rise mit verbundenem Range Extender eingeschaltet wurde), berechnet das System die Gesamtkapazität beider Akkus (612 Wh) und liefert die Information über den Ladestand des Systems als Summe des Ladestands beider Akkus.

Der kombinierte Ladestand wird über die Verbindungseinheit EW-EN100, das Display SC-EN800 oder das entsprechende Datenfeld der Orbea RS Toolbox auf kompatiblen Garmin Geräten angezeigt.

Im Abschnitt „Anzeige des Akku-Ladestandes“ in diesem Handbuch findest du weitere Informationen zu den verschiedenen Anzeigemöglichkeiten des Ladestands der Rise-Akkus.

### BEISPIELE:

AKKU	LADESTAND DES AKKUS	LADESTAND DES SYSTEMS
integrierter RS Akku (360Wh)	50% (180Wh)	50% (306 Wh von 612 Wh)
Range Extender (252 Wh)	50% (126 Wh)	

AKKU	LADESTAND DES AKKUS	LADESTAND DES SYSTEMS
integrierter RS Akku (360Wh)	100% (360Wh)	79% (486 Wh von 612 Wh)
Range Extender (252 Wh)	50% (126 Wh)	

### SEPARATER LADESTAND DES RANGE EXTENDER

Im Abschnitt „Anzeige des Akku-Ladestandes“ in diesem Handbuch findest du weitere Informationen zu den verschiedenen Anzeigemöglichkeiten des Ladestands der Rise-Akkus.

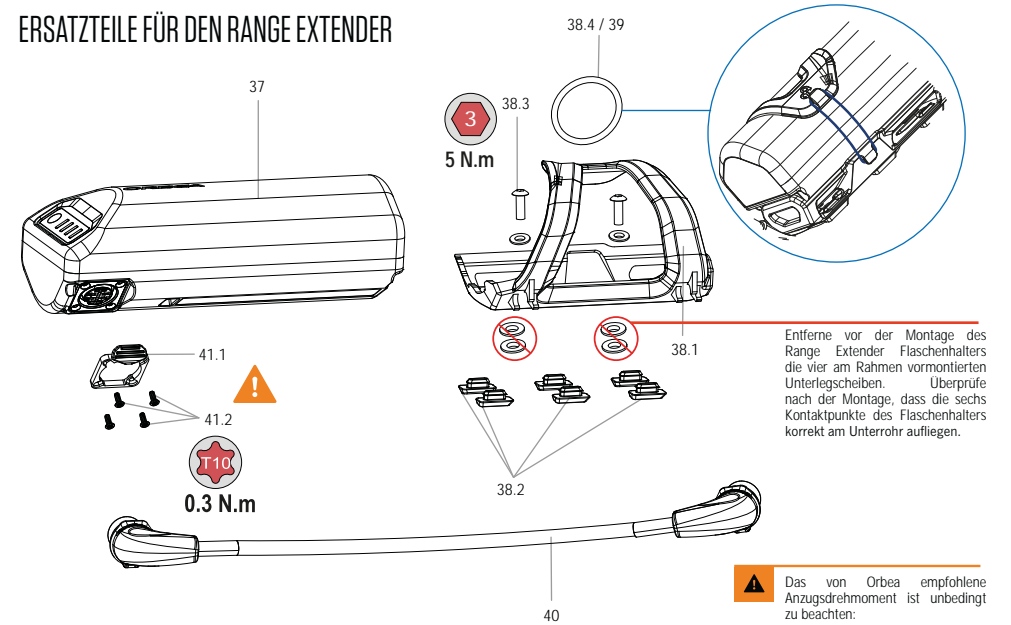
## AUFLADEN DES RANGE EXTENDERS

Im Abschnitt „Aufladen der Akkus“ im Kapitel „Nutzung des Rise“ in diesem Handbuch erfährst du, wie du den Range Extender und den integrierten Akku auflädst.

### HINWEIS

Im Kapitel „Wichtige Informationen zu den RS Akkus“ findest du weitere wichtige Hinweise zu Einsatz, Pflege und Problemlösung rund um den integrierten Akku und den Range Extender.

## ERSATZTEILE FÜR DEN RANGE EXTENDER



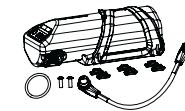
Entferne vor der Montage des Range Extender Flaschenhalters die vier am Rahmen vormontierten Unterlegscheiben. Überprüfe nach der Montage, dass die sechs Kontaktpunkte des Flaschenhalters korrekt am Unterrohr aufliegen.

Das von Orbea empfohlene Anzugsdrehmoment ist unbedingt zu beachten.

**HINWEIS** Nutze für die Montage eines herkömmlichen Flaschenhalters oder des Range Extender Halters stets die Originalunterlegscheiben.

### 37 RS RANGE EXTENDER AKKU 252 WH

ART N°: YD22



Enthält alle für die Montage des Range Extender Akkus am Rise benötigten Teile.

Range Extender Akku 252Wh  
Ladebuchsenanschluss RE  
Range Extender Flaschenhalter  
Kunststoff-Rahmenschützer

Befestigungsschrauben M5x10 für den Rahmen  
Verbindungskabel zur Ladebuchse  
Sicherungsgummi

### 38 RANGE EXTENDER HALTER

Kompatibel zu herkömmlichen Trinkflaschen

ART N°: X2230000

ANZAHL



38.1 RANGE EXTENDER HALTER 1  
38.2 KUNSTSTOFF RAHMENSCHÜTZER 6  
38.3 SCHRAUBE M5x10 2  
38.4 SICHERUNGSGUMMI 40x3.5 1

### 39 KIT SICHERUNGSGUMMIS RANGE EXTENDER

ART N°: X2240000

ANZAHL



39.1 SICHERUNGSGUMMI 40x3.5 4

### 40 VERBINDUNGSKABEL RANGE EXTENDER RS

ART N°: X2250000

ANZAHL



VERBINDUNGSKABEL RANGE EXTENDER RS 1

### 41 LADEBUCHSENANSCHLUSS RANGE EXTENDER RS

ART N°: KONTAKTIERE ORBEA

ANZAHL



41.1 LADEBUCHSENANSCHLUSS RANGE EXTENDER 1  
41.2 SCHRAUBE M2x8 4

Den Ladebuchsenanschluss des Range Extender nicht ausbauen oder verändern. Andernfalls könnte der Akku beschädigt werden und die Gewährleistung erlöschen. Nimm Kontakt zu Orbea auf, falls der Anschluss ausgetauscht werden muss.

## 12 WICHTIGE INFORMATIONEN ZU DEN ORBEA RS LITHIUM-IONEN-AKKUS



Lies zu deiner eigenen Sicherheit vor der Nutzung der Orbea RS Akkus und Ladegeräte das komplette Benutzerhandbuch.

Nimm Kontakt zu Orbea oder einem autorisierten Fachhändler auf, um Informationen über die Installation und Einstellung von Bauteilen zu erhalten, die nicht im Benutzerhandbuch aufgeführt sind.



Folge stets den Anweisungen zur Nutzung der Orbea RS Akkus um Verletzungen sowie Schäden an Material und Umwelt zu vermeiden.

Die folgenden Informationen gelten sowohl für den integrierten Akku als auch für den Range Extender.

### SICHERHEITSHINWEISE UND WARNUNGEN ZU DEN AKKUS

- Verwende ausschließlich das spezielle RS Ladegerät und befolge die Hinweise zum Aufladen des Akkus. Andernfalls könnte es zu Überhitzung, Explosion oder Entzündung des Akkus kommen.
- Den Akku fern von Hitzequellen wie Heizungen, Autos oder sonstigen gefährlichen Orten halten.
- Den Akku nicht erhitzen oder ins Feuer werfen.
- Den Akku nicht verformen, modifizieren, auseinanderbauen oder Lötzinn direkt auf den Akku aufbringen.
- Die Anschlüsse (+) und (-) sowie andere Anschlüsse nicht mit metallischen Gegenständen in Berührung bringen. Den Akku nicht gemeinsam mit metallischen Gegenständen wie Halsketten oder Haarspangen transportieren oder aufbewahren. Andernfalls kann es zu Kurzschlüssen, Überhitzungen, Verbrennungen und anderen Verletzungen kommen.
- Den Akku nicht in Wasser eintauchen und die Anschlüsse frei von Feuchtigkeit halten. Andernfalls könnte es zu Überhitzung, Explosion oder Entzündung des Akkus kommen.

- Den Akku nicht quetschen oder durchlöchern.
- Sollte der Akku undicht sein und Batterieflüssigkeit mit Augen, Haut oder Kleidung kommen, die betroffenen Stellen sofort mit reichlich klarem Wasser ausspülen und unverzüglich einen Arzt konsultieren. Die Batterieflüssigkeit könnte Augen und Haut schädigen.
- Sollte der Akku nicht innerhalb der vorgesehenen Ladezeit von fünf Stunden plus weiteren zwei Stunden (3,5 Stunden + 2 Stunden für den Range Extender) vollständig aufgeladen sein, sollte er vom Ladegerät getrennt werden und umgehend ein autorisierter Händler kontaktiert werden.
- Den Akku nicht benutzen, wenn er sichtlich beschädigt ist.
- Den Akku nicht benutzen, wenn Flüssigkeit austritt oder er verfärbt oder verformt ist oder sonstige ungewöhnliche Merkmale aufweist.
- Den Akku nicht unter freiem Himmel oder in einer nassen Umgebung oder bei hoher Luftfeuchtigkeit aufladen.
- Den Akku nicht ein- oder ausstecken, wenn der Stecker feucht ist. Es könnte ansonsten zu Kurzschlüssen kommen. Den feuchten Stecker gut trocknen, bevor er wieder eingesteckt wird.
- Den Akku nicht an Orten mit direkter Sonneneinstrahlung oder großer Hitze aufbewahren (zum Beispiel im Inneren eines Autos). Halte ihn fern von Hitze und Flamen. Ansonsten könnte der Akku Schaden nehmen.
- Halte den Akku stets mit beiden Händen, um Gefahren und Verletzungen zu vermeiden.
- Sollte während des Entladens oder Aufladens ein Fehler auftreten, ist die Verwendung des Akkus sofort einzustellen und das Handbuch zu Rate zu ziehen. Setze dich im Zweifel mit Orbea oder einem autorisierten Händler in Verbindung.
- Den Akku nicht per Hochdruckreiniger reinigen.
- Den Akku oder das Ladegerät nicht mit Alkohol, Lösungsmitteln oder Scheuermittel reinigen. Verwende zur Reinigung ein trockenes oder leicht angefeuchtetes Tuch.
- Kinder nicht unbeaufsichtigt lassen, um sicherzustellen, dass sie nicht mit Akku und Ladegerät spielen.

- Sollte der Akku explodieren, sofort die Feuerwehr alarmieren und falls möglich weitere Akkus aus der Gefahrenzone entfernen. Sämtliche Personen sofort aus der Gefahrenzone bringen und das Feuer mit reichlich kaltem Wasser (mindestens dem zehnfachen Gewicht des Akkus) löschen.

### BEDINGUNGEN FÜR DIE AUFBEWAHRUNG DER AKKUS

- Bewahre die Akkus an einem sicheren und für Kleinkinder und Haustiere nicht zugänglichen Ort auf.
- Die Aufbewahrung des Akkus außerhalb dieses Temperaturbereichs kann zu Entflammung oder Beschädigung des Akkus führen.
- **Temperaturbereich für die Aufbewahrung: 0°C–35°C. Vermeide hohe Temperaturunterschiede.**
- Wird der Akku für längere Zeit nicht genutzt, bewahre ihn bei einem Ladestand von etwa 70 % auf. Lade den Akku alle drei Monate auf, um eine vollständige Entladung zu vermeiden.
- Bewahre den Akku oder das Fahrrad mit dem montierten Akku an einem kühlen, geschützten Ort (etwa 0°C–35°C). Wird der Akku unter zu kalten oder zu heißen Umgebungstemperaturen aufbewahrt, können die Leistung und die Reichweite pro vollständiger Ladung sinken. Wurde der Akku über einen längeren Zeitraum nicht genutzt, sollte er vor der Nutzung aufgeladen werden.
- Temperaturen über 70°C können zu Flüssigkeitsaustritten und Entflammung führen.

### BEDINGUNGEN FÜR DIE NUTZUNG UND DAS AUFLADEN DER AKKUS

- Der Temperaturbereich für die Nutzung des Akkus wird im Folgenden beschrieben. Verwende den Akku nicht außerhalb dieses Temperaturbereichs.

- Die Verwendung des Akkus außerhalb dieses Temperaturbereichs kann zu Entflammung, Beschädigung des Akkus oder Verletzungen führen.

· **Nutzung (Entladung) des Akkus ausschließlich in einem Temperaturbereich von: -10 °C ~ 50 °C.**

· **Aufladen des Akkus ausschließlich in einem Temperaturbereich von: 0 °C ~ 40 °C.**

- Der Akku muss bei Umgebungstemperatur auf einem trockenen, nicht entzündlichen Untergrund und fern jeglicher Hitzequelle, Feuchtigkeit oder entzündlichen Materialien aufgeladen werden.

- Das Aufladen des Akkus bei einer niedrigen Umgebungstemperatur (0°C oder weniger) verkürzt die pro Ladezyklus verfügbare Reichweite.

- Beachte für den Fall, dass der Akku transportiert werden soll, dass er als Gefahrgut betrachtet wird. Verwende ausschließlich entsprechend zugelassene Packungen und Transportunternehmen.

### BEDINGUNGEN FÜR DIE MONTAGE DES AKKUS

- Der Akku sollte nicht unmittelbar nach dem Erhalt des Akkus oder des Fahrrads verwendet werden. Vor der ersten Nutzung sollte sichergestellt werden, dass der Akku vollständig aufgeladen ist.
- Der Akku und/oder das Fahrrad sollten stets ausgeschaltet werden, bevor der Akku am Fahrrad eingesetzt oder entnommen wird.

### BEDINGUNGEN FÜR DAS AUFLADEN UND SICHERHEITSHINWEISE

- Zum Zeitpunkt des Kaufs ist der Akku nicht komplett aufgeladen. Lade den Akku komplett auf, bevor du ihn in deinem Fahrrad verwendest.
- Nutze zum Aufladen ausschließlich das spezielle RS Ladegerät.

- Schalte das Fahrrad und/oder den Akku stets aus, bevor du den Akku mit der Ladebuchse verbindest oder ihn von ihr trennst.
- Stelle sicher, dass die Ladebuchse des Fahrrads sowie die Stecker sauber und trocken sind, bevor du sie verbindest.
- Das Ladegerät nicht verwenden, wenn du eine Beschädigung vermutest oder weißt, dass es defekt ist.
- Das Ladegerät nicht zerlegen oder modifizieren.
- Die Ladebuchse stets verschlossen halten, wenn der Akku nicht geladen wird.
- Keine metallischen Gegenstände mit der Ladebuchse des Akkus in Kontakt bringen.
- Vermeide, dass das Ladegerät feucht wird und verwende es nicht, falls es feucht sein sollte. Nicht mit feuchten Händen anfassen, um einen Stromschlag zu vermeiden.
- Das Ladegerät nicht verwenden, wenn es von einem Tuch oder anderem Material bedeckt wird
- Nicht die metallischen Teile des Akkus oder des Ladegeräts berühren, um einen Stromschlag zu vermeiden.
- Den Akku nicht unter freiem Himmel oder in einer Umgebung mit hoher Luftfeuchtigkeit aufladen und nicht dem Regen oder Wind aussetzen.
- Das Ladegerät nicht am Kabel halten oder das Kabel zur Aufbewahrung um das Ladegerät wickeln, um Beschädigungen am Kabel zu vermeiden.
- Während des Ladevorgangs nicht pedalieren oder den Akku auf sonstige Weise entladen.
- Den Range Extender stets entfernen, bevor das Fahrrad mit Wasser oder anderen Flüssigkeiten gereinigt wird.
- Nach der Nutzung des Fahrrads eine Stunde warten, bevor der Akku an das Ladegerät angeschlossen wird. Ansonsten könnte die Temperatur des Akkus zu hoch sein.
- Es wird empfohlen, den Akku in einem mit einem Rauchmelder ausgestatteten Raum aufzuladen.
- Um Beschädigungen des Akkus durch Fehlfunktionen des Ladegeräts zu vermeiden, wird vom dauerhaften Anschließen des Akkus abgeraten.

## RECYCLING

- Akkus, Zubehör und Verpackungen sollten einem umweltgerechten Recycling zugeführt werden.
- Lithium-Ionen-Akkus sind wertvolle und recyclebare Ressourcen. Folge den in deiner Region geltenden Recyclingvorgaben. Kontaktiere im Zweifelsfall Orbea oder einen autorisierten Händler.
- Den Akku nicht im Hausmüll entsorgen. Er wird vom Verkäufer zurückgenommen und ordnungsgemäß behandelt.

## GEWÄHRLEISTUNGS AUSSCHLUSS

- Lade den Akku mindestens alle drei Monate bis zu etwa 70 % seiner Gesamtkapazität auf, auch wenn das Fahrrad nicht in Gebrauch ist.
- Die Garantie erstreckt sich nicht auf den natürlichen Verschleiß und Abnutzungen durch den normalen Gebrauch und Alterung.
- Die Lebensdauer des Akkus hängt von Faktoren wie der richtigen Aufbewahrung, Nutzung, Umgebung sowie der Eigenschaften eines jeden Akkus ab.
- Lade den Akku so schnell wie möglich auf, falls er vollständig entladen wurde. Ansonsten könnte er Schaden nehmen und unbrauchbar werden.
- Das Zerlegen des Akkus oder zugehöriger Teile kann zum Verlust der Garantie führen. Das gilt auch für das Etikett.
- Lies das Kapitel zum Thema Garantie in diesem Handbuch für weitere Informationen zur Garantie auf Orbea Produkte und das Vorgehen bei einem Garantiefall.

## INFORMATIONEN ZU DEN KONTROLL-LEDS DES AKKUS

- Wird ein eingeschalteter Akku zwei Stunden lang nicht genutzt, schaltet sich der Akku selbständig ab.

### ANZEIGE DES LADESTANDS DES AKKUS

### LADESTAND

### LEDS

#### 1. Während der Nutzung oder wenn der Akku nicht aufgeladen wird.

75% ~ 100%



50% ~ 74%



25% ~ 49%



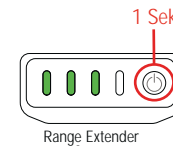
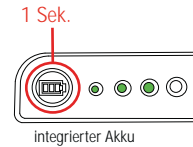
5% ~ 24%



0% ~ 4%



Halte den Einschaltknopf des Range Extender Akkus für eine Sekunde gedrückt, um den aktuellen Ladestand abzufragen. Durch Aufleuchten der LEDs wird der Ladestand in 25%-Schritten angezeigt.



#### 2. Während des Ladevorgangs.

100%



(Wenn der Akku vollständig aufgeladen ist, erlöschen die LEDs nach fünf Sekunden.)

75% ~ 99%



50% ~ 74%



25% ~ 49%





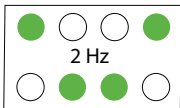



0% ~ 24%



## FEHLERCODES DER AKKUS UND ENTSPRECHENDE MASSNAHMEN

- Sollten beim Drücken des Einschaltknopfs des Akkus die Kontroll-LEDs nicht aufleuchten, befindet sich der Akku im Sicherheitsmodus. Lade den Akku mit dem original RS Ladegerät auf, um den Sicherheitsmodus aufzuheben.
- Wenn die LED beim Drücken des Einschaltknopfs oder während des Ladevorgangs des Akkus wie in der folgenden Tabelle beschrieben blinkt, folge den entsprechend empfohlenen Anweisungen, um etwaige Sicherungsfunktionen aufzuheben oder führe die entsprechend notwendigen Überprüfungsmaßnahmen durch.

BEDEUTUNG DER FEHLERCODES	LEDs	EMPFOHLENE HANDLUNG
Erschöpfung der Akkukapazität und Aktivierung des Unterspannungsschutzmodus.		Mit dem Laden des Akkus beginnen.
Aktivierung des Sicherheitsmodus bei zu hohen oder zu niedrigen Akkutemperaturen.		Lagere den Akku bei einer Umgebungstemperatur von 5°C ~ 40°C
Aktivierung des Sicherheitsmodus bei Kurzschluss des Akkus.		Entferne jegliche Fremdkörper aus den Anschlüssen des Akkus, die einen Kurzschluss verursachen könnten. Überprüfe sämtliche Kabel. Warte 30 Sekunden lang.
Aktivierung des Sicherheitsmodus bei dauerhaftem Versagen oder zum zusätzlichen Schutz des Akkus.		Stoppe den Ladevorgang und setze dich mit einem autorisierten Händler in Verbindung.
Aktivierung des Sicherheitsmodus bei Stromüberlast.		Trenne das Ladegerät vom Akku, um den Ladevorgang zu unterbrechen. Warte 30 Sekunden lang.
Nach längerer Nutzung des Akkus leuchten die LEDs nur noch während des Ladevorgangs und blinken dann zehn Sekunden lang.		Setze dich mit einem autorisierten Händler in Verbindung, um den Zustand des Akkus zu überprüfen.



LED leuchtet



LED blinkt bei 2 Hz



LED blinkt bei 1 Hz



LED leuchtet nicht

## 13 DÄMPFER EINSTELLUNG DER FOX GABELN

Lies das komplette Handbuch des Herstellers zur in deinem Rise verbauten Fox Gabel.

### HANDBUCH ZUR GABEL FOX 36 FLOAT GRIP 2

[www.ridefox.com/fox17/help.php?m=bike&id=1082](http://www.ridefox.com/fox17/help.php?m=bike&id=1082)

### HANDBUCH ZUR GABEL FOX 34 FLOAT GRIP & FIT4

[www.ridefox.com/fox17/help.php?m=bike&id=1081](http://www.ridefox.com/fox17/help.php?m=bike&id=1081)

## EMPFEHLUNGEN ZUR EINSTELLUNG DES LUFTDRUCKS DER GABELN FOX 34 UND 36 FLOAT

Die folgenden Tabellen enthalten ungefähre Empfehlungswerte, die abhängig vom Fahrstil und Untergrund des Geländes variieren können.

EMPFOHLENE SAG EINSTELLUNG	Gesamtfederweg der Gabel	15% SAG (hart)	20% SAG (sanft)
FOX 36 FLOAT	150mm	23mm	30mm
FOX 34 FLOAT	140mm	21mm	28mm

### EMPFOHLENER LUFTDRUCK ZUR SAG-EINSTELLUNG

FOX 36 FLOAT			FOX 34 FLOAT		
Gewicht Fahrer+Ausrüstung (Kg)	Gewicht Fahrer+Ausrüstung (Lb)	Druck (psi)	Gewicht Fahrer+Ausrüstung (Kg)	Gewicht Fahrer+Ausrüstung (Lb)	Druck (psi)
54-59	120-130	66	54-68	120-150	58-68
59-64	130-140	70	68-82	150-180	72-82
64-68	140-150	74	82-95	180-210	86-96
68-73	150-160	78	95-113	210-250	100-114
73-77	160-170	82			
77-82	170-180	86			
82-86	180-190	89			
86-91	190-200	94			
91-95	200-210	99			
95-100	210-220	105			
100-104	220-230	109			
104-109	230-240	113			
109-113	240-250	117			

## EMPFEHLUNGEN ZUR EINSTELLUNG DER ZUGSTUFE DER GABELN FOX 34 UND 36 FLOAT

Die Einstellung der Zugstufe hängt vom Luftdruck ab. Je höher der Luftdruck, desto niedriger sollte die Zugstufe eingestellt sein.

Verwende die endgültige Einstellung des Luftdrucks deiner Federgabel, um die Zugstufe einzustellen. Drehe den Einstellknopf der Zugstufe im Uhrzeigersinn bis zum Anschlag (geschlossen).

Drehe den Einstellknopf anschließend so viele „Clicks“ entgegen des Uhrzeigersinns, wie in der Tabelle angegeben.

### EMPFOHLENE ZUGSTUFENEINSTELLUNGEN

FOX 36 FLOAT			FOX 34 FLOAT				
Gewicht Fahrer+Ausrüstung (Kg)	Gewicht Fahrer+Ausrüstung (Lb)	36 GRIP (clicks)	36 GRIP 2		Luftdruck	FIT 4 (clicks)	GRIP (clicks)
			LSR (clicks)	HSR (clicks)			
54-59	120-130	13	9	8	65psi/ 4,5 bar	8	13
59-64	130-140	12	8	7	70psi/ 4,8 bar	8	12
64-68	140-150	11	7	6	74psi/ 5,1 bar	7	11
68-73	150-160	10	7	6	80psi/ 5,5 bar	7	10
73-77	160-170	9	6	5	85psi/ 5,9 bar	6	9
77-82	170-180	8	6	5	90psi/ 6,2 bar	6	8
82-86	180-190	7	5	4	96psi/ 6,6 bar	5	7
86-91	190-200	6	4	3	101psi/ 7,0 bar	5	6
91-95	200-210	5	4	3	106psi/ 7,3 bar	4	5
95-100	210-220	4	3	2	111psi/ 7,6 bar	4	4
100-104	220-230	3	2	1	117psi/ 8,0 bar	3	3
104-109	230-240	2	2	1	122psi/ 8,4 bar	2	2
109-113	240-250	1	1	0	126psi/ 8,7 bar	1	1

## EINSTELLEN DER FOX DÄMPFER

Lies das komplette Handbuch des Herstellers zu dem in deinem Rise verbauten Fox Dämpfer.

### HANDBUCH ZU DEN FOX DÄMPFERN DPS UND DPX2 EVOL

[www.ridefox.com/fox17/help.php?m=bike&id=1079](http://www.ridefox.com/fox17/help.php?m=bike&id=1079)

## EMPFEHLUNGEN ZUR EINSTELLUNG DES LUFTDRUCKS DER FOX DÄMPFER DPX EVOL UND DPX2 EVOL

Die folgenden Tabellen enthalten ungefähre Empfehlungswerte, die abhängig vom Fahrstil und Untergrund des Geländes variieren können.

### EMPFOHLENE SAG EINSTELLUNG **30%**

Passen den Luftdruck des Dämpfers an, bis du den gewünschten SAG erreichst. Ein SAG von 25% bietet dir ein härteres Feedback mit mehr Unterstützung, während ein SAG von 30% dir ein weiches Fahrgefühl bietet.

### EINSTELLEN DER ZUGSTUFE

Auf Basis des Luftdrucks bei gewünschtem SAG.

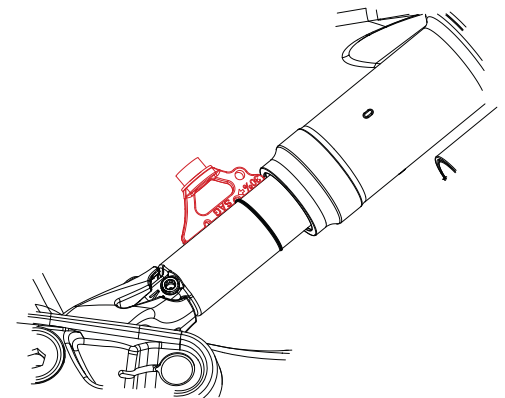
Luftdruck (psi)	Empfohlene Zugstufeneinstellung (clicks)
<100	Offen
100-120	11
120-140	10
140-160	9
160-180	8
180-200	7
200-220	6
220-240	5
240-260	4
260-280	3
280-300	Geschlossen
104-109	230-240
109-113	240-250

Hast du die gewünschte Einstellung des SAG gefunden, passe die Zugstufe entsprechend des Luftdrucks im Dämpfer an.

Verwende die endgültige Einstellung des Luftdrucks deines Dämpfers, um die Zugstufe einzustellen. Drehe den Einstellknopf der Zugstufe im Uhrzeigersinn bis zum Anschlag (geschlossen).

Drehe den Einstellknopf anschließend so viele „Clicks“ entgegen des Uhrzeigersinns, wie in der Tabelle angegeben.

Du kannst den in das Tool zur Einstellung der Wippe des Rise integrierten SAG-Messer nutzen, um einen SAG von 30% zu ermitteln.



## VOLUMEN SPACER FÜR DIE LUFTKAMMER VON FOX DÄMPFERN

Beim FOX DPX2 Dämpfer kannst du das Volumen der Druckkammer anpassen, um die Progression auf deinen Fahrstil auszurichten.

Werkseitig verfügt der Dämpfer über einen 0.2 Spacer zur Reduzierung des Volumens, im Lieferumfang befindet sich aber auch ein 0.4 Spacer, damit du den Dämpfer nach deinen Wünschen anpassen kannst.

OHNE SPACER	EHER LINEARES VERHALTEN	GERINGES FAHRERGEWICHT
		WENIGER AGGRESSIVER FAHRSTIL
MIT SPACER 0.2	HOHE PROGRESSION	MITTLERES FAHRERGEWICHT
		AUSGEGLICHERER FAHRSTIL
MIT SPACER 0.4	HOHE PROGRESSION	HOHES FAHRERGEWICHT
		AGGRESSIVER FAHRSTIL

1. Lasse die Luft vollständig aus der Luftkammer des dpx2-Dämpfers ab, um den Volumen Spacer ein- oder auszubauen.



2. Schraube anschließend die Hülse der Luftkammer des Dämpfers vom Kopf des Dämpfers und ziehe sie nach unten.



3. Entferne den 0.2 Spacer vom Kolben und setze den 0.4 Spacer (mit der glatten Seite nach oben) ein oder nutze die Luftkammer ohne Volumen Spacer.




4. Schiebe die Hülse der Luftkammer nach oben und schraube sie sicher am Kopf des Dämpfers fest.



5. Pumpe die Luftkammer mit einer Dämpferpumpe auf, bis der gewünschte Luftdruck erreicht ist.



## 14 KONFORMITÄTSERKLÄRUNG



**CE** **DECLARACIÓN DE CONFORMIDAD CE**  
**EC DECLARATION OF CONFORMITY**

**El fabricante / The manufacturer:** Orbea S. Coop.  
Polígono Industrial Goitondo s/n  
48269, Mallabia (Bizkaia) - Spain

**Declara que los siguientes productos / Declares that the following products:**

Descripción / Description : EPAC  
 Marca / Make : ORBEA  
 Modelos / Models : EMX 24, GAIN, KATU, KERAM, OPTIMA, RISE,  
 VIBE and WILD  
 Año de construcción / Year of manufacture : 2020 and 2021

**Cumplen con las siguientes Directivas Europeas / Fulfills the following European Directives:**

- Directiva 2006/42/CE / Directive 2006/42/EC
- Directiva 2004/108/CE / Directive 2004/108/EC
- Directiva 2011/65/CE / Directive 2011/65/EC

**Las siguientes normas armonizadas han sido completamente aplicadas / The following harmonized standards have been fully applied:**

De acuerdo con la Directiva 2006/42/CE / According to Directive 2006/42/EC

- EN 12100

De acuerdo con la Directiva 2004/108/CE / According to Directive 2004/108/EC

- EN 61000-3-2                      - EN 61000-3-3                      - EN 61000-6-1
- EN 61000-6-3                      - 61000-4-2


**Las siguientes normas nacionales y otras especificaciones (o partes de las mismas) han sido aplicadas / The following national standards and other specifications (or parts thereof) have been applied:**

- EN 15194                              - EN 14764


**Persona autorizada para elaborar el expediente técnico / Authorized person to elaborate the technical file:**

Nombre / Name: Aitor Juaristi (Quality Manager)  
 Dirección / Address: Polígono Industrial Goitondo s/n  
 48269, Mallabia (Bizkaia) - Spain

02 / 11 / 2020



Orbea S. Coop.  
 P. I. Goitondo 48269 Mallabia (Bizkaia) - Spain  
 Tel.: + 34 943 171 950 - Fax: + 34 943 174 397  
 orbea@orbea.com - www.orbea.com



## 15 ZUSÄTZLICHE INFORMATIONEN

ORBEA ist mit einer grandiosen, globalen Community von Fahrradfahrern auf Facebook und Twitter unterwegs. Suchst du neue Herausforderungen für dich und dein Fahrrad? Oder vielleicht ein tolles Ziel für den Fahrraddurlaub? Hier hat bestimmt jemand einen spannenden Tipp für dich:

### FACEBOOK

[www.facebook.com/OrbeaBicycles](http://www.facebook.com/OrbeaBicycles)

### TWITTER

[www.twitter.com/Orbea/](http://www.twitter.com/Orbea/)

### YOUTUBE

Auf Orbeas YouTube-Kanal findest du viele hilfreiche Videos, etwa zur Technik und Ausstattung unserer Räder:

[www.youtube.com/user/OrbeaBicycles](http://www.youtube.com/user/OrbeaBicycles)

### INSTAGRAM

[www.instagram.com/orbeabicycles](http://www.instagram.com/orbeabicycles)

### ORBEA CONTENT

Hier findest du Fotos, Videos und weiteren Content:

[content.orbea.com/de-de/](http://content.orbea.com/de-de/)

### BLOG ORBEA

[www.orbea.com/de-de/blog/](http://www.orbea.com/de-de/blog/)

### ORBEA HÄNDLER

Unsere Händler sind speziell geschult, um dich bei der Konfiguration und der Pflege deines Orbea-Rades zu unterstützen. Die vollständige Übersicht unseres Händlernetzes findest du auf unserer Website:

[www.orbea.com/de-de/dealers/?country=INT](http://www.orbea.com/de-de/dealers/?country=INT)

### KONTAKT

Unsere Daten und ein Kontaktformular findest du hier:

[www.orbea.com/de-de/contacto](http://www.orbea.com/de-de/contacto)

Deutschland:

[www.orbea.com/de-de/contact/](http://www.orbea.com/de-de/contact/)





# INDICE

<b>01 INTRODUZIONE</b>	<b>240</b>
Legenda dei simboli	
<b>02 GARANZIA ORBEA</b>	<b>242</b>
Garanzia legale	
Garanzia a vita Orbea	
Garanzia dei componenti del sistema di assistenza elettrica	
Processo di reclami in garanzia	
<b>03 MANUTENZIONE</b>	<b>245</b>
Mantenere pulita la bicicletta	
Mantenere lubrificata la trasmissione	
Ispezionare la bicicletta prima di ogni uscita	
Frequenza di manutenzione dei componenti	
Aggiornamenti del sistema elettrico	
Ricambi	
Dopo un colpo o urto	
<b>04 AVVERTENZE D'USO DELLA RISE</b>	<b>249</b>
Dimensioni massime del copertone	
Inserimento minimo del reggisella	
Lunghezza massima della forcella	
Numero massimo di distanziali dello sterzo	
Distanziali sopra l'attacco manubrio	
Uso previsto	
<b>05 AVVERTENZE D'USO DEI COMPONENTI DEL SISTEMA DI ASSISTENZA ELETTRICA</b>	<b>251</b>
Manutenzione e norme d'uso dei componenti elettrici e delle batterie	
Autonomia	
Trasporto di batterie di biciclette elettriche	
Trasporto di biciclette elettriche	

## 06 USO DELLA RISE 254

Accensione/spengimento della Rise  
 Visualizzazione del livello di carica della batteria  
 Ricarica delle batterie  
 Cambio del livello di assistenza  
 Errori nel sistema

## 07 ORBEA RS TOOLBOX. VISUALIZZAZIONE DEI DATI DEL SISTEMA IN DISPOSITIVI GARMIN 260

Installazione e sblocco di Orbea RS Toolbox in dispositivi Garmin  
 Visualizzazione del campo dati Orbea RS Toolbox nel proprio dispositivo  
 Uso di Orbea RS Toolbox  
 Registrazione dei dati della Rise in attività con Garmin Connect

## 08 ETUBE PROJECT. PERSONALIZZAZIONE DEL SISTEMA DI ASSISTENZA ELETTRICA 270

Visualizzazione degli errori nel sistema

## 09 GEOMETRIA ED ERGONOMIA 272

Altezza massima e minima della sella con reggisella telescopici

## 10 SPECIFICHE TECNICHE 276

Specifiche tecniche della Rise  
 Specifiche dei componenti del sistema elettrico

## 11 ASSEMBLAGGIO E RICAMBI 281

Sterzo  
 Dimensioni del canotto di sterzo  
 Specifiche dello sterzo  
 Smontaggio e assemblaggio dello sterzo  
 Assi e leva del cambio  
 Punto di snodo principale del fodero orizzontale  
 Biella  
 Smontaggio del link  
 Assemblaggio del link  
 Assemblaggio dell'ammortizzatore  
 Pezzi e protettori del telaio  
 Guida della catena  
 Cablaggio di cambio e freno posteriore  
 Cablaggio di componenti del sistema Shimano EP8

Assemblaggi con centralina EW-EN100 (senza display)  
 Differenze tra assemblaggi con centralina EW-EN100 e display SC-EM800  
 Connessione del sistema EP8 a Etube Professional. Informazioni per i rivenditori  
 Cablaggio di componenti Orbea RS  
 Fissaggio del motore Shimano EP8 RS  
 Batteria interna Orbea RS  
 Fissaggio della batteria interna al telaio  
 Smontaggio della batteria interna RS. Informazioni per i rivenditori  
 Batteria esterna Orbea Range Extender  
 Assemblaggio del Range Extender

Collegamento del Range Extender alla Rise  
 Funzionamento del Range Extender  
 Visualizzazione del livello di carica  
 Ricambi del Range Extender

## 12 INFORMAZIONI IMPORTANTI SULLE BATTERIE RS 208

## 13 SOSPENSIONI 313

Regolazione delle forcelle FOX  
 Regolazione degli ammortizzatori FOX

## 14 DICHIARAZIONE DI CONFORMITÀ 318

## 15 INFORMAZIONI SUPPLEMENTARI 319

## 01 INTRODUZIONE

Il presente manuale tecnico contiene informazioni importanti sulla bicicletta, riguardanti l'uso, la manutenzione e i ricambi. Leggerlo attentamente.

Questo documento è un supplemento al Manuale generale d'uso di biciclette e componenti Orbea, e descrive in maniera più o meno dettagliata l'uso appropriato e la regolazione dei componenti generali delle biciclette per circolare in modo sicuro. Il Manuale d'uso si può visionare e scaricare, così come gli altri manuali tecnici di prodotti Orbea, dal nostro sito web:

[www.orbea.com/es-es/soporte/manuales](http://www.orbea.com/es-es/soporte/manuales)

È possibile consultare le informazioni rilevanti d'uso, manutenzione e caratteristiche dei componenti di altri fabbricanti montati sulle nostre biciclette, come ruote, manubri, sistemi di pedalata assistita, forcelle di sospensione, ecc., sul sito del fabbricante specifico o attraverso i rivenditori del proprio Paese.





## LEGENDA DEI SIMBOLI


In questo manuale tecnico, si utilizzano vari simboli che specificano istruzioni e avvertenze d'uso, manutenzione e assemblaggio. Prestare attenzione a questi simboli per evitare situazioni pericolose e garantire l'uso e l'assemblaggio corretto di tutti i componenti.

Il significato di questi simboli viene spiegato di seguito. Nel presente manuale, il simbolo può apparire accompagnato solo dall'istruzione importante per il componente che descrive. Leggere le seguenti informazioni attentamente per capirne il significato.


### ISTRUZIONI DI SICUREZZA


 **PERICOLO:** Situazione pericolosa che, se non viene evitata, causa lesioni gravi e persino la morte.

 **AVVERTENZA:** Situazione pericolosa che, se non viene evitata, può causare lesioni gravi e persino la morte.

 **ATTENZIONE:** Situazione pericolosa che, se non viene evitata, può causare lesioni lievi o moderate.

**AVVISO** Situazione non correlata con lesioni fisiche. Informazioni importanti.

 **RISCHIO DI SCARICA ELETTRICA:** Situazione pericolosa che, se non viene evitata, può causare lesioni gravi per scarica elettrica o persino la morte.


 **RISCHIO DI CORTOCIRCUITO:** La non osservanza delle indicazioni può provocare cortocircuiti ai componenti elettrici, oltre a danni ai componenti e incendi.

*I simboli PERICOLO e AVVERTENZA implicano sempre un rischio di infortunio se non si adottano le misure per evitare la situazione descritta. Un incidente mentre si circola con una bicicletta può sempre comportare il rischio di lesioni gravi e persino la morte. In questo manuale non sempre verrà ripetuto il rischio di morte quando appaiono questi simboli, poiché il rischio è descritto in questo punto.*

### ATTREZZI

 CHIAVE PIATTA  CHIAVE TORX

 CHIAVE A BRUGOLA  CACCIAVITE TIPO PHILIPS


 Il numero della chiave da usare è indicato all'interno del simbolo




**10 Nm**

**COPPIE DI SERRAGGIO.** La coppia di serraggio apposta (in newton/metro) appare indicata sotto il simbolo dell'attrezzo da usare per l'elemento che descrive.

### TIPO DI COMPOSTO

 **OLIO:** Lubrificazione leggera di componenti come le catene e i cavi.

 **GRASSO:** Grasso di assemblaggio di qualità per evitare rumori e immobilità dei componenti.

 **PASTA DI CARBONIO:** Composto di assemblaggio per componenti in carbonio per aumentare la frizione tra i componenti.

 **LOCTITE SERIE 600:** Fissatore di pezzi cilindrici.

 **LOCTITE SERIE 200:** Fissatore o frenafili. Resistenza media.

 **LOCTITE SERIE 400:** ADESIVO ISTANTANEO.

## 02 GARANZIA ORBEA

Il nostro sforzo continuo e quotidiano per offrire la massima qualità nelle nostre biciclette ci consente di mettere a disposizione la seguente garanzia e condizioni di copertura.

### GARANZIA LEGALE

Orbea offre al proprietario originario una garanzia legale di 2 anni dal momento dell'acquisto dell'articolo o nel periodo stipulato come garanzia legale nel paese d'acquisto sulla bicicletta Orbea, forcella rigida e componente OC.

La garanzia copre i prodotti Orbea da difetti di fabbricazione e/o non conformità e garantisce la riparazione o sostituzione del prodotto difettoso senza costi extra per il cliente. Inoltre, la presente garanzia copre anche i difetti di verniciatura, smaltatura e corrosione di tutti i telai e forcelle rigide che montiamo sulle nostre biciclette per il periodo specificato nel paragrafo precedente della presente garanzia.

La garanzia non copre in nessun caso i danni derivanti da uso inadeguato, cadute o incidenti, o mancanza di manutenzione, nonché normale usura dei pezzi quali, a titolo meramente informativo e non limitativo: fermi, cuscinetti, nastro per manubrio, raggi, copertoni, selle, ecc.

Per conoscere la descrizione completa delle condizioni della copertura e della garanzia legale, visitare:

<https://www.orbea.com/es-es/garantia/>

### GARANZIA A VITA ORBEA

Come complemento alla garanzia legale, ORBEA offre all'acquirente originario della bicicletta, qualora abbia registrato il prodotto sul sito di Orbea nei 30 giorni successivi all'acquisto, la garanzia commerciale a vita ORBEA, che copre i telai e le forcelle rigide che montiamo sulle nostre biciclette senza limiti di tempo, in caso di difetti di fabbricazione e non conformità dei materiali.

La garanzia estende il periodo originale di copertura dei difetti di verniciatura, smaltatura e corrosione di telai e forcelle rigide per un ulteriore anno dal termine del periodo di garanzia legale.

La garanzia commerciale a vita Orbea copre solo i telai e le forcelle rigide, non i componenti OC.

Per conoscere la descrizione completa delle condizioni della garanzia a vita, visitare:

[www.orbea.com/it-it/garantia/#garantia-deporvida-orbea](http://www.orbea.com/it-it/garantia/#garantia-deporvida-orbea)

## REGISTRAZIONE BICICLETTA

Per usufruire dell'estensione della garanzia a vita Orbea, si deve registrare la propria bicicletta entro 30 giorni dall'acquisto su:

[www.orbea.com/it-it/acceso-registro?from=register-plate/](http://www.orbea.com/it-it/acceso-registro?from=register-plate/)

### 01. REGISTRAZIONE ACCOUNT

The screenshot shows the 'REGISTRAR EN WEBDA' form on the Orbea website. It includes fields for 'EMAIL\*', 'CONTRASEÑA\*', and 'CONFIRMA CONTRASEÑA\*'. Below these fields are several checkboxes and a 'REGISTRAR' button. The text on the page explains the benefits of registration, such as receiving warranty information and being able to register the bicycle.

### 02. REGISTRAZIONE NUMERO DI TELAIO

The screenshot shows the 'REGISTRO DE GARANTÍA' form. It includes fields for 'MATRÍCULA\*' (with a dropdown menu) and 'FECHA DE COMPRA\*' (with a date picker). Below these fields are two dropdown menus for 'NIVEL DE GARANTIZACIÓN' and 'NIVEL DE SATISFACCIÓN CON EL PRODUCTO DE COMPRA ETC.'. There are also several checkboxes and a 'REGISTRAR MATRÍCULA' button.

### 03. DOVE SI TROVA IL NUMERO DI TELAIO



## GARANZIA DEI COMPONENTI DEL SISTEMA DI ASSISTENZA ELETTRICA

### COMPONENTI SHIMANO STEPS

I componenti del sistema elettrico Shimano STEPS (motore, display, sensore di velocità, pulsante cambio livello di assistenza, centralina e cablaggio Di2) sono coperti da una garanzia legale di 2 anni dal momento dell'acquisto dell'articolo o della bicicletta, o nel periodo stipulato come garanzia legale nel paese d'acquisto.

### COMPONENTI RS ESCLUSIVI ORBEA

I componenti RS del sistema elettrico esclusivi di Orbea (batteria interna, Range Extender, cavo Harness di collegamento alla batteria, motore, porta di ricarica e interruttore di accensione del sistema) sono coperti da una garanzia legale di 2 anni dal momento dell'acquisto dell'articolo o della bicicletta, o nel periodo stipulato come garanzia legale nel paese d'acquisto.

La garanzia copre tutti i prodotti Shimano e Orbea da difetti di fabbricazione e/o non conformità e garantisce la riparazione o sostituzione del prodotto difettoso senza costi extra per il cliente.

La garanzia non copre in nessun caso i danni derivanti da uso inadeguato, cadute o incidenti, installazione errata o mancanza di manutenzione, mancata osservanza delle indicazioni d'uso, stoccaggio, carica, ecc. inclusi nel presente manuale.

La perdita di capacità delle batterie RS (batteria interna e Range Extender) dovuta all'invecchiamento naturale per l'uso, carica e stoccaggio, non è contemplata nella garanzia.

## PROCESSO DI RECLAMI IN GARANZIA

Tutti i reclami in garanzia devono essere trattati da un rivenditore autorizzato Orbea, che si occuperà della diagnosi iniziale e inoltrerà a Orbea, Shimano o al fabbricante del componente del reclamo tutta la documentazione necessaria per effettuare la diagnosi completa del reclamo in oggetto. Il rivenditore informerà il proprietario sullo stato del processo e sulla decisione di Orbea, Shimano o del fabbricante del componente.

### RECLAMI IN GARANZIA E RIPARAZIONE DEI COMPONENTI DEL SISTEMA DI ASSISTENZA ELETTRICA

**SHIMANO.** I reclami in garanzia o la riparazione dei seguenti componenti del sistema elettrico verranno trattati da Shimano:

- Motore Shimano EP8 RS.
- Display SC-EN800.
- Centralina EW-EN100.
- Sensore di velocità.
- Cablaggio specifico STEPS/Di2.
- Leva del cambio di livello di assistenza SW-EM800L.

**ORBEA.** I reclami in garanzia o la riparazione dei seguenti componenti del sistema elettrico verranno trattati da Orbea:

- Batteria esterna Range Extender.
- Batteria interna Orbea RS 360 Wh
- Cavo Harness di collegamento alla batteria interna, al motore e alla porta di ricarica.
- Interruttore di accensione del sistema elettrico.

Si consiglia di rivolgersi sempre al rivenditore presso cui è stata comprata la bicicletta per inoltrare un reclamo in garanzia, o al rivenditore prescelto durante il processo d'acquisto di una bicicletta che è stata consegnata direttamente a casa. Qualora non ci si possa rivolgere al rivenditore originario, è possibile vedere la lista di rivenditori autorizzati sul nostro sito o contattare Orbea per sapere a quale rivenditore rivolgersi:

[www.orbea.com/es-es/distribuidores/?country](http://www.orbea.com/es-es/distribuidores/?country)

<https://www.orbea.com/es-es/contacto/>

## 03 MANUTENZIONE

I prodotti Orbea sono accuratamente progettati per essere duraturi, efficienti e di facile manutenzione. I telai e le forcelle di carbonio e alluminio sono estremamente resistenti alla corrosione.

Tuttavia, la bicicletta richiede una manutenzione periodica dei componenti per garantirne il corretto funzionamento, sicurezza e durata.

### MANTENERE PULITA LA BICICLETTA

Pulire la bicicletta con acqua e sapone delicato regolarmente per mantenerla come il primo giorno e poter verificare lo stato del telaio e dei suoi componenti. Non utilizzare acqua a pressione che potrebbe danneggiare i componenti come i cuscinetti o i tubi del telaio.

Gli sgrassatori a base di agrumi sono biodegradabili e sono molto efficaci per eliminare il grasso dai componenti della trasmissione e della catena.



La sporcizia accumulata può ostacolare l'ispezione visiva dei componenti e nascondere danni che potrebbero provocare guasti o incidenti.

### AVISO

La sporcizia accumulata provoca l'usura precoce dei componenti e può persino danneggiare il telaio della bicicletta in zone come l'alloggiamento dei cuscinetti e le parti mobili. I danni per mancanza di pulizia e manutenzione non sono contemplati dalla garanzia.

### MANTENERE LUBRIFICATA LA TRASMISSIONE

Una volta pulita la bicicletta, lubrificare la trasmissione, in particolare la catena. Utilizzare la quantità necessaria per lubrificare le maglie, pulendo qualsiasi eccesso per evitare che attiri la sporcizia e ostacoli il corretto funzionamento della trasmissione e l'usura precoce dei componenti.



Evitare l'uso di lubrificanti spray affinché non si depositino sulle superfici di frenatura. Verificare sempre i freni dopo aver lubrificato la trasmissione.

### ISPEZIONARE LA BICICLETTA PRIMA DI OGNI USCITA

Eseguire un'ispezione veloce prima di ogni uscita per verificare che la bicicletta sia in ottimo stato di funzionamento. Si potrebbero riscontrare piccoli problemi che si possono trasformare in incidenti rilevanti durante il tragitto.

**TELAIO.** Ispezionare il telaio e la forcella per cercare eventuali danni o incrinature. Non deve fare rumori strani. In caso di qualsiasi danno al telaio, non usare la bicicletta e contattare il rivenditore autorizzato per una revisione.

**CATENA.** Deve essere pulita e lubrificata, e la trasmissione non deve fare rumori strani.

**FRENI.** Verificare che i freni funzionino correttamente e in modo sicuro. Verificare le coppie di serraggio dei componenti.

**COPERTONI.** Verificare l'usura dei copertoni e cercare se vi sono tagli sul battistrada o ai lati; se si trovano dei danni, sostituire il copertone. Controllare che la pressione degli pneumatici sia adeguata.

**RUOTE.** Verificare che le ruote girino liberamente e che non vi siano deviazioni laterali. Tirare leggermente la ruota verso i lati per verificare che non vi sia gioco laterale nei cuscinetti. Verificare che non vi sia nessun raggio rotto o allentato. Verificare che gli assi o le chiusure veloci siano serrati in maniera sicura e alla coppia di serraggio corretta.

**STERZO.** Azionare il freno anteriore e muovere la parte frontale della bicicletta avanti e indietro esercitando una pressione sul manubrio con la ruota anteriore poggiata per terra. Verificare che non faccia rumori strani o vi sia

un movimento dello sterzo, che potrebbe indicare che i cuscinetti sono consumati o lo sterzo non è stretto bene. Con lo sterzo ben regolato, verificare che giri liberamente.

**PUNTI DI SNODO DEL FODERO ORIZZONTALE.** Nelle biciclette a doppia sospensione, verificare che tutti i punti di snodo del foderò orizzontale ruotino liberamente e non vi sia gioco nei cuscinetti. Tirare il foderò orizzontale da una parte e dall'altra della bicicletta e osservare se vi sono rumori o gioco nei punti di snodo. Se il foderò orizzontale non funziona liberamente o fa gioco, potrebbe indicare che le coppie di serraggio non sono corrette o che i cuscinetti sono consumati o danneggiati.

**CUSCINETTI.** I cuscinetti (movimento centrale, punti di snodo del foderò orizzontale, sterzo, ruote, ecc.) sono componenti soggetti a usura che devono essere controllati periodicamente per garantirne il corretto funzionamento. I cuscinetti in cattivo stato possono danneggiare i componenti in cui sono montati. Le condizioni meteorologiche avverse accelerano l'usura dei cuscinetti. I cuscinetti che fanno gioco o che non girano liberamente devono essere sostituiti immediatamente. In caso di dubbi, consultare il proprio rivenditore autorizzato.

**AVVISO** I danni ai componenti come il telaio, le ruote della bicicletta, ecc., derivanti dalla mancanza di manutenzione e sostituzione dei cuscinetti non sono coperti dalla garanzia.

**SISTEMA ELETTRICO.** Accendere la bicicletta e controllare che il sistema elettrico funzioni correttamente. Verificare che vi sia assistenza elettrica e che tutti i componenti funzionino (motore, display, cambio di assistenza e sensore di velocità).

Se non vi è assistenza elettrica, controllare tutti i collegamenti tra i componenti e il loro stato, oltre ai cavi (i cavi o i componenti che risultano danneggiati devono essere sostituiti).

Verificare che non vi siano errori nel sistema elettrico. Il display SC-EN800 mostrerà il codice di errore se presente. In caso di errore, la centralina EW-EN100 lo mostrerà nel sistema facendo lampeggiare entrambi i LED simultaneamente. Collegare la bicicletta all'applicazione Shimano Etube per conoscere il codice di errore.

Una volta noto il codice di errore, seguire i consigli dell'applicazione per risolvere l'errore o consultare il manuale d'uso del sistema Shimano STEPS. Se il sistema elettrico continua a non funzionare dopo aver applicato il metodo descritto, o se non vi è un metodo che possa applicare l'utente, portare la bicicletta presso un rivenditore autorizzato per la diagnosi e riparazione.

**AVVISO** La mancata osservanza delle indicazioni descritte in questi punti e l'utilizzo di una bicicletta che presenta tali caratteristiche può provocare incidenti e lesioni gravi.

**AVVISO** **COPPIE DI SERRAGGIO.** Verificare sempre le coppie di serraggio e installare i componenti descritti in questo manuale seguendo le indicazioni della coppia di serraggio. Seguire le indicazioni delle coppie di serraggio per i componenti di altri fabbricanti installati nella bicicletta Orbea. La mancata osservanza di queste indicazioni può provocare difetti ai componenti, incidenti e persino la morte.

## FREQUENZA DI MANUTENZIONE DEI COMPONENTI

**AVVISO** La frequenza di manutenzione dei componenti indicati di seguito sono orientativi, e dipende in gran parte da fattori come le condizioni meteorologiche d'uso della bicicletta (le condizioni avverse riducono notevolmente la durata dei componenti e i tempi di manutenzione), pulizia della bicicletta e dei componenti (i componenti con sporcizia accumulata si usurano più velocemente) e uso (un uso più intenso della bicicletta richiederà una maggiore frequenza di manutenzione).

Per i componenti di altri marchi montati sulle biciclette Orbea, verificare la frequenza di manutenzione consigliata o obbligatoria sul sito del fabbricante o contattando il rivenditore del marchio nel proprio paese.

**AVVISO** I danni ai componenti derivanti dalla non osservanza dei periodi di manutenzione possono provocare danni che non sono coperti dalla garanzia di Orbea o del fabbricante del componente.

**AVVISO** La non osservanza della frequenza di manutenzione può provocare danni ai componenti e di conseguenza guasti e incidenti.

### STERZO:

- Ispezionare il funzionamento prima di ogni uso della bicicletta.
- Effettuare lo smontaggio e l'ispezione manuale dei cuscinetti ogni 6 mesi d'uso.

### MOVIMENTO CENTRALE:

- Ispezionare il funzionamento prima di ogni uso della bicicletta.
- Effettuare lo smontaggio e l'ispezione manuale dei cuscinetti ogni 6 mesi d'uso.

### TRASMISSIONE:

- Ispezionare il funzionamento prima di ogni uso della bicicletta.
- Ispezionare regolarmente l'usura della catena ogni 500 km. Una catena usurata più di quanto indicato dal fabbricante deve essere sostituita per evitare danni agli altri componenti della trasmissione. La non osservanza delle indicazioni di usura del fabbricante potrebbe richiedere la sostituzione degli altri elementi della trasmissione.

### RUOTE:

- Ispezionare il funzionamento prima di ogni uso della bicicletta.
- Effettuare lo smontaggio e l'ispezione manuale dei cuscinetti e di tutti i componenti ogni 6 mesi.

### AMMORTIZZATORI E FORCELLE DI SOSPENSIONE:

- Ispezionare il funzionamento prima di ogni uso della bicicletta.
- Effettuare la revisione e la manutenzione completa ogni 125 ore o annualmente (il primo dei due casi che si verifica) da parte del rivenditore autorizzato dal fabbricante.

### REGGISELLA TELESCOPICI:

- Ispezionare il funzionamento prima di ogni uso della bicicletta.

- Effettuare la revisione e la manutenzione completa ogni 125 ore o annualmente (il primo dei due casi che si verifica) da parte del rivenditore autorizzato dal fabbricante.

### PUNTI DI SNODO IN TELAI A DOPPIA SOSPENSIONE:

- Ispezionare il funzionamento prima di ogni uso della bicicletta.
- Effettuare lo smontaggio del telaio e l'ispezione manuale di tutti i cuscinetti ogni 125 ore d'uso o annualmente (il primo dei due casi che si verifica). La frequenza potrebbe essere maggiore in funzione delle condizioni d'uso della bicicletta. Un uso intenso della bicicletta o in condizioni meteorologiche avverse o con fango richiede lo smontaggio o l'ispezione del telaio ogni 75 ore d'uso o ogni 6 mesi (il primo dei due casi che si verifica). Se un cuscinetto non gira liberamente o fa gioco, deve essere sostituito immediatamente.

### CAVI E GUAINA DEL CAMBIO:

- Ispezionare il funzionamento prima di ogni uso della bicicletta.
- Sostituire i cavi del cambio ogni 6 mesi o un anno, in funzione delle condizioni d'uso della bicicletta.

### FRENI:

- Ispezionare il funzionamento e l'usura delle pastiglie o dei pattini del freno prima di ogni utilizzo della bicicletta.
- Verificare l'usura dei dischi dei freni e dei cavi o tubi idraulici ogni 6 mesi o un anno, in funzione delle condizioni d'uso della bicicletta. Effettuare la spurgo dei tubi idraulici ogni anno.

### COMPONENTI DI ASSISTENZA ELETTRICA:

Controllare regolarmente i collegamenti e i cavi dei componenti del sistema di assistenza elettrica della bicicletta. I collegamenti devono essere puliti e non devono presentare oggetti estranei. I cavi devono essere in buono stato e non devono presentare tagli o pieghe che possano causare cortocircuiti e mancanza di assistenza elettrica.

L'esterno dei componenti come i comandi remoti e le batterie non devono mostrare danni che consentano l'entrata di acqua e altri elementi.

In caso di qualsiasi danno dei componenti elettrici, rivolgersi al proprio rivenditore Orbea per la diagnosi e/o sostituzione.

**AVVISO** Consultare la sezione delle condizioni d'uso del sistema di assistenza elettrica di questo manuale per conoscere come mantenere correttamente i componenti.

#### AGGIORNAMENTI DEL SISTEMA ELETTRICO:

I sistemi di assistenza elettrica per e-bike possono essere soggetti a miglioramenti o aggiornamenti per perfezionare il funzionamento del sistema.

Alcuni aggiornamenti del sistema Shimano STEPS sono effettuati mediante Bluetooth® quando si collega la bicicletta all'applicazione per smartphone Etube Project.

Consultare qui il manuale dell'applicazione Shimano Etube Project:

[si.shimano.com/#/es/iUM/7J4MA/](https://si.shimano.com/#/es/iUM/7J4MA/)

Altri aggiornamenti devono essere effettuati dal rivenditore autorizzato. Ricordare al rivenditore di verificare se vi sono aggiornamenti disponibili per la bicicletta quando gli viene consegnata per lavori di manutenzione o riparazioni.

**⚠** Alcune di queste verifiche e manutenzioni vanno oltre le conoscenze di meccanica della maggior parte degli utenti. Se non si è qualificati per effettuare le manutenzioni necessarie, rivolgersi sempre a un rivenditore Orbea. Non effettuare le manutenzioni in maniera adeguata può comportare guasti e incidenti con conseguenze gravi.

**AVVISO** Una manutenzione errata può provocare danni ai componenti che non sono coperti dalla garanzia.

## RICAMBI

Utilizzare sempre ricambi originali Orbea, Shimano o del fabbricante del componente specifico.

**⚠** L'uso di ricambi non originali può provocare danni che comportano guasti e incidenti gravi.

**⚠** L'installazione di alcuni pezzi di ricambio di questo manuale tecnico va oltre le conoscenze di meccanica della maggior parte degli utenti. Se non si è qualificati per installare questi ricambi, rivolgersi sempre a un rivenditore Orbea per la manutenzione della bicicletta e dei suoi componenti. L'installazione dei ricambi in maniera non adeguata può comportare guasti, incidenti e lesioni gravi.

**AVVISO** L'installazione di ricambi non originali può provocare danni alla bicicletta che non sono coperti dalla garanzia.

## DOPO UN COLPO O URTO

Le cadute dalla bicicletta sono frequenti nel ciclismo. In caso di incidente con una bicicletta Orbea, assicurarsi di stare bene e rivolgersi a un medico se necessario. Se non sono state riportate lesioni, verificare lo stato della bicicletta prima di continuare.

### ISPEZIONARE IL TELAIO E I COMPONENTI DELLA BICICLETTA PER VERIFICARE SE SONO STATI DANNEGGIATI

Se si rileva qualche problema, non continuare a circolare con la bicicletta.

#### PUNTI DA CONTROLLARE

Ispezionare il telaio e la forcella per vedere se uno di questi componenti non si sia rotto o piegato.

Se si notano rotture o incrinature, smettere di utilizzare la bicicletta immediatamente. Nei telai in carbonio, cercare incrinature o zone morbide nel carbonio; se si notano queste caratteristiche, smettere di utilizzare la bicicletta immediatamente.

**⚠** I materiali impiegati nei telai e nelle forcelle in carbonio sono rigidi e forti, ma in caso di sovraccarico o urto, le fibre non si piegano, si rompono. Un urto sufficientemente forte su questo materiale potrebbe provocare danni che, anche se non sono visibili a prima vista, potrebbero dare luogo a un guasto dei materiali in futuro. In caso di dubbi sulle conseguenze di una caduta o incidente, contattare il proprio rivenditore Orbea per una corretta diagnosi dei materiali.

Verificare la trasmissione e le ruote per assicurarsi che i componenti funzionino correttamente. Se si nota qualche danno ai componenti, smettere di utilizzare la bicicletta immediatamente.

Anche nel caso che non si osservi alcun danno, prestare la massima attenzione al rumore della bicicletta quando la si prova. Le rotture e altri problemi possono provocare rumori insoliti. Se si riscontra un rumore insolito, smettere di utilizzare la bicicletta immediatamente e contattare il rivenditore Orbea per una corretta diagnosi.

### PORTARE LA BICICLETTA ORBEA PRESSO UN RIVENDITORE AUTORIZZATO PER SOTTOPORLA A UN'ISPEZIONE PROFESSIONALE

Alcune delle conseguenze di una caduta o incidente si possono rilevare solo smontando completamente la bicicletta per verificare la presenza di rotture o altri segni di usura.

**⚠** Un colpo o un urto possono causare gravi difetti alla bicicletta e ai suoi componenti, provocandone l'errato funzionamento o l'usura precoce. I difetti possono verificarsi improvvisamente e senza preavviso, causando la perdita di controllo della bicicletta, lesioni gravi e persino la morte.

## 04 AVVERTENZE D'USO DELLA RISE

### DIMENSIONI MASSIME DEL COPERTONE

Il presente manuale tecnico specifica le dimensioni massime dei copertoni che possono essere montati sul telaio; rispettare sempre queste indicazioni quando si montano i copertoni nella bicicletta.

Tuttavia, le dimensioni reali di circonferenza e larghezza del copertone possono cambiare da un fabbricante all'altro. Quando si monta un copertone diverso da quello presente originariamente nella bicicletta Orbea, verificare che la distanza tra la parte superiore e quelle laterali del copertone sia di almeno 6 mm tra esso e qualsiasi parte del telaio.

**AVVISO** Danni al telaio o ai componenti dovuti all'uso di copertoni che non osservano queste dimensioni non sono coperti dalla garanzia.

### INSERIMENTO MINIMO DEL REGGISSELLA

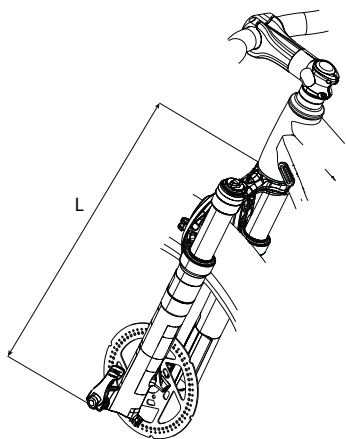
**⚠** Rispettare sempre le indicazioni di inserimento minimo del reggisella da utilizzare o del telaio in biciclette da strada con reggisella esclusivi Orbea. Il mancato rispetto di queste indicazioni può provocare sforzi sui materiali oltre le condizioni per cui sono stati progettati e provocarne rotture non coperte dalla garanzia, nonché incidenti che possono causare lesioni gravi.

### LUNGHEZZA MASSIMA DELLA FORCELLA (AXLE-TO-CROWN)

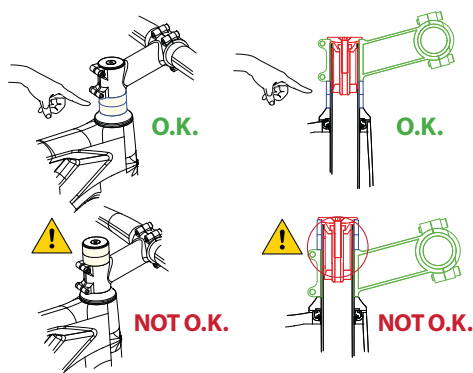
Rispettare sempre la lunghezza massima della forcella descritta nella sezione delle specifiche tecniche di questo manuale. La lunghezza massima della forcella è riferita alla distanza tra l'asse della forcella e la parte inferiore del canotto di sterzo (axle-to-crown).



Il mancato rispetto di questa misura e l'installazione di forcelle con una lunghezza maggiore di quella massima specificata può sottoporre a sforzo il telaio oltre le caratteristiche per cui è stato progettato, potendo provocare danni al materiale e conseguentemente incidenti e lesioni gravi.



## POSIZIONE DEL RAGNETTO ALL'INTERNO DEL TUBO DELLA FORCELLA. DISTANZIALI STERZO SOPRA L'ATTACCO MANUBRIO



Non installare mai distanziali sterzo sopra l'attacco manubrio. Sistemare i distanziali sopra l'attacco manubrio, in particolare su forcelle con il tubo di sterzo in carbonio, può far sì che l'espansore dello sterzo all'interno del tubo della forcella rimanga posizionato al di sopra del limite inferiore dell'attacco manubrio; ciò può sottoporre a sforzi i materiali oltre l'utilizzo per cui sono stati progettati, causando incidenti e lesioni gravi.



La lunghezza del tubo di sterzo della forcella deve sempre essere quella adeguata per la posizione dell'attacco manubrio della forcella. L'attacco manubrio deve sempre essere installato sul tubo di sterzo della forcella in modo che le viti di fissaggio della zona posteriore dell'attacco manubrio siano posizionate sul tubo di sterzo della forcella. Non montare mai l'attacco manubrio in modo che la vite superiore di bloccaggio dell'attacco manubrio al tubo di sterzo rimanga al di sopra del bordo superiore del tubo di sterzo della forcella. Ciò può sottoporre a sforzi i materiali oltre l'utilizzo per cui sono stati progettati, causando incidenti e lesioni gravi.

## USO PREVISTO

L'uso previsto per tutti i modelli è ASTM Condition 4, che ne prevede l'uso nelle condizioni 1, 2 e 3, oltre a sentieri naturali tecnici con numerosi ostacoli, di maggiore dislivello e pertanto ove le velocità raggiunte sono maggiori. Salti frequenti e moderati.

Questi modelli, a causa del terreno, devono essere ispezionati dopo ogni utilizzo. L'uso in questo tipo di terreno richiede abilità tecniche e può causare lesioni ai ciclisti principianti.

Per conoscere tutte le categorie ASTM, consultare il manuale d'uso.



## 05 AVVERTENZE D'USO DEL SISTEMA DI ASSISTENZA ELETTRICA

### CURA E NORME D'USO DEI COMPONENTI ELETTRICI E DELLE BATTERIE

- Non lavare la bicicletta con acqua a pressione né immergere la bicicletta o i componenti elettrici. Tutti i componenti elettrici sono protetti contro gli schizzi e la pioggia. Tuttavia, l'uso di acqua a pressione può danneggiare i componenti e provocare cortocircuiti.

- Non usare la bicicletta in condizioni meteorologiche molto avverse. Tutti i componenti elettrici sono protetti contro gli schizzi e la pioggia. Tuttavia, condizioni meteorologiche molto avverse possono danneggiare i componenti.

- Non trasportare la bicicletta fuori dal veicolo in caso di pioggia. Tutti i componenti elettrici sono protetti contro gli schizzi e la pioggia. Tuttavia, le velocità raggiunte dal veicolo possono accrescere gli effetti della pioggia sui componenti elettrici.

Se si trasporta la bicicletta fuori dal veicolo, togliere il Range Extender dalla bicicletta e verificare che il tappo della porta di ricarica sia chiuso correttamente.

- Non lasciare la bicicletta o la batteria esposta ad alte temperature per lunghi periodi di tempo. Le alte temperature raggiunte potrebbero danneggiare i componenti elettrici. Le temperature superiori a 70° possono causare perdite e pericolo di incendio.

- Rispettare gli intervalli di temperatura d'uso (scarica), carica e conservazione della bicicletta (batteria interna) e del Range Extender. L'uso, carica o stoccaggio delle batterie al di fuori da questi intervalli di temperatura può alterare le celle e ridurre la vita utile e l'autonomia.

## NUMERO MASSIMO DI DISTANZIALI DELLO STERZO



Non usare mai distanziali sterzo sotto l'attacco manubrio diversi da quelli indicati per il telaio. Consultare le tabelle delle specifiche per sapere il numero massimo di distanziali sterzo ammessi da un telaio Orbea. Installare più distanziali di quelli consentiti può sottoporre a sforzi i materiali oltre l'utilizzo per cui sono stati progettati, causando incidenti e lesioni gravi.



Nella seguente tabella sono riportati i limiti massimi d'uso, carica e stoccaggio previsti dal fabbricante delle celle. In generale, **l'uso, carica e stoccaggio delle batterie a temperature inferiori a 0 °C riduce l'autonomia di ricarica e farlo in modo continuato può alterare la vita utile della batteria.**

#### INTERVALLI DI TEMPERATURA

Carica	0 – 40 °C
Scarica (uso)	-10 – 50 °C
Stoccaggio	0 – 35 °C

· Non conservare la bicicletta (batteria interna) o il Range Extender per lunghi periodi di tempo senza controllare il livello di carica delle batterie. Se si pensa di non utilizzare la batteria per un lungo periodo di tempo, caricare la batteria fino al 70% circa prima di conservarla e verificare il livello di carica ogni 3 mesi. Non lasciare mai che il livello di carica scenda sotto il 10% per non danneggiare le celle.

**USO DELLA BATTERIA AL DI SOTTO DEL 10% DI CARICA:** Non scaricare la batteria per uso continuato al di sotto del 10% di carica. Livelli di carica inferiori al 10% possono alterare la vita utile delle celle e l'oscillazione della carica.

· Evitare di lasciare il caricabatteria collegato alla batteria per più di 5 ore continue e caricare sempre la batteria tenendola sottocchio in modo che si possa scollegare il caricabatteria se si rileva un'anomalia come fumo, odore di bruciato o fuoco.

· Evitare urti e cadute della batteria interna e del Range Extender.

Se dopo un colpo o urto l'involucro esterno della batteria mostra danni, non caricare o utilizzare la batteria e contattare un rivenditore autorizzato per la diagnosi.

· Eseguire sempre i collegamenti dei cavi nell'orientamento corretto. Il collegamento dei cavi senza osservare l'orientamento corretto può danneggiare i terminali.

· Prima di ogni utilizzo, verificare che il tappo del punto di ricarica sia correttamente installato per evitare l'entrata di sporcizia e acqua nella porta di ricarica.

· Non utilizzare utensili metallici per pulire la porta di ricarica nel caso vi sia sporcizia o corpi estranei.

Non danneggiare i terminali della porta di ricarica durante questa operazione.

#### AVVISO

Consultare la sezione Informazioni importanti sulle batterie RS per avere accesso a ulteriori informazioni utili, cura e risoluzione di problemi della batteria interna e del Range Extender.

Consultare la documentazione di Shimano sul sistema STEPS EP8 e i suoi componenti:

- **Manuale d'uso:**

<https://si.shimano.com/api/publish/storage/pdf/es/um/7HC0A/UM-7HC0A-000-SPA.pdf>

- **Manuale del rivenditore:**

<https://si.shimano.com/api/publish/storage/pdf/es/dm/EP800/DM-EP800-01-SPA.pdf>

\* La batteria interna Orbea RS e la batteria esterna Range Extender sono esclusive di Orbea. Consultare le istruzioni d'uso in questo manuale.

## AUTONOMIA

Il motore Shimano EP8 RS, insieme alle batterie Orbea RS, è stato progettato per offrire la massima autonomia disponibile per questo sistema dal peso e dimensioni ridotte.

Il sistema può fornire un'autonomia di 4,5 ore con la batteria interna (360 Wh) e fino a 8 ore collegando il Range Extender (252 Wh), stime valide utilizzando la modalità di assistenza ECO.

L'autonomia disponibile per carica dipende in gran parte da fattori come:

· **MODALITÀ DI ASSISTENZA.** L'uso di livelli di assistenza più potenti diminuisce l'autonomia disponibile.

· **PROFILO DI ASSISTENZA.** Il profilo di assistenza selezionato con l'applicazione Shimano Etube Project varierà l'autonomia disponibile. La selezione del profilo di assistenza 2 comporta l'aumento della potenza di ciascuna modalità di assistenza, per cui l'autonomia potrebbe variare.

· **PERSONALIZZAZIONE DELLE MODALITÀ DI ASSISTENZA.** I valori di autonomia approssimati tengono conto dei valori di potenza di ciascuna modalità di assistenza in base alle regolazioni originarie di Orbea. La personalizzazione della resa di potenza di ciascuna modalità mediante l'applicazione Shimano Etube Project altererà l'autonomia finale delle batterie.

· **TEMPERATURA.** La carica e l'utilizzo della batteria a basse temperature diminuisce l'autonomia per carica.

· Peso del ciclista ed equipaggiamento/bagaglio.

· Potenza della pedalata del ciclista.

· **TERRENO E DISLIVELLO.** L'uso su terreno dissestato e dislivelli positivi inciderà sull'autonomia disponibile per carica.

· Fermate e riavvi frequenti possono incidere sull'autonomia disponibile.

#### TABELLA DI AUTONOMIA APPROSSIMATA:

MODALITÀ DI ASSISTENZA	BATTERIA INTERNA. 360 Wh			CON RANGE EXTENDER. 612 Wh (360+252 Wh)
	ECO	TRAIL	BOOST	ECO
TEMPO APPROSS. DI AUTONOMIA (ore)	4,5	3	2	8
DISLIVELLO APPROSS. (metri)	2.500	1.700	1.200	4.000

## TRASPORTO DI BATTERIE DI BICICLETTE ELETTRICHE

Il trasporto della batteria interna Orbea RS e della batteria esterna Range Extender deve effettuarsi rispettando la normativa vigente e con i mezzi di trasporto consentiti per questi articoli. Gli articoli devono sempre essere trasportati o spediti usando l'imballaggio omologato originale e un corriere omologato. Informarsi sulle condizioni di manipolazione e trasporto di questo tipo di articoli nel proprio paese.

Se il Range Extender o la batteria interna devono essere spediti a Orbea o a Shimano per la riparazione o diagnosi, usare l'imballaggio originale omologato e un corriere abilitato per il trasporto di batterie. Orbea fornirà informazioni sulla migliore alternativa.

## TRASPORTO DI BICICLETTE ELETTRICHE

Se si pianifica di viaggiare con la propria bicicletta elettrica, informarsi sulle condizioni di trasporto delle batterie della compagnia aerea che si desidera usare per trasportare la bicicletta. La maggior parte delle compagnie aeree commerciali non consente il trasporto di batterie con una capacità superiore a 100 Wh.

## 06 USO DELLA RISE

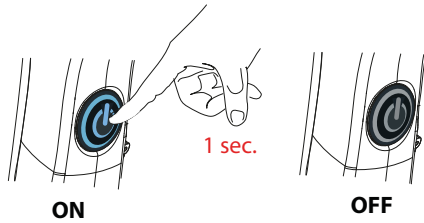
Nella presente sezione viene descritto il funzionamento di base del sistema Shimano STEPS EP8 della Rise e le particolarità esclusive del sistema EP8 RS di Orbea.

Consultare anche il manuale d'uso del sistema Shimano EP8 qui:

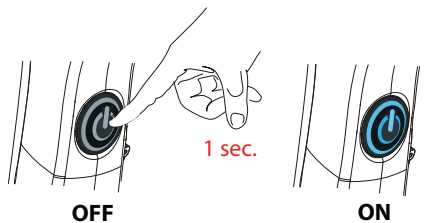
<https://si.shimano.com/api/publish/storage/pdf/es/um/7HCOA/UM-7HCOA-000-SPA.pdf>

### ACCENSIONE/SPEGNIMENTO DELLA RISE

Per accendere la Rise, mantenere premuto per 1 secondo il pulsante della parte inferiore del tubo della sella.



Per spegnere la Rise, mantenere premuto per 1 secondo il pulsante della parte inferiore del tubo della sella.

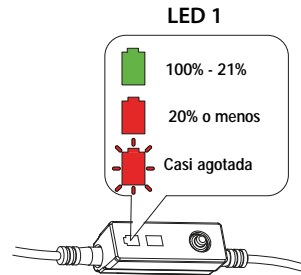


### VISUALIZZAZIONE DEL LIVELLO DI CARICA DELLA BATTERIA

Il livello di batteria della Rise può essere visualizzato in vari modi, in funzione dell'opzione prescelta.

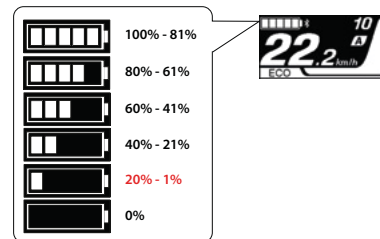
### EVITARE URTI E CADUTE DELLA BATTERIA INTERNA E DEL RANGE EXTENDER:

Quando un Range Extender è connesso alla bicicletta, il sistema calcolerà la capacità totale di entrambe le batterie (batteria interna e Range Extender). Il livello di carica mostrato dai metodi descritti di seguito sarà quello rimanente in entrambe le batterie complessivamente, tenendo conto della capacità totale del sistema.



**CON CENTRALINA SHIMANO EW-EN100.** Con la bicicletta accesa, la centralina Shimano EW-EN100 mostrerà mediante il LED1 il livello di carica della/e batteria/e. Il LED1 sarà verde finché il livello di carica sarà inferiore al 21%, dopodiché il LED1 diventerà rosso. Quando la batteria sta per esaurirsi, il LED1 lampeggia in rosso.

Non scaricare la/e batteria/e ripetutamente al di sotto del 10%. Livelli inferiori al di sotto del 10% in modo continuato può alterare la vita utile delle celle.

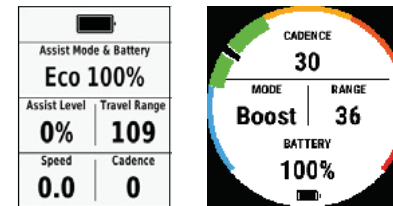


**CON DISPLAY SHIMANO SC-EM800.** In assemblaggi con il display SC-EM800, il livello di carica della/e batteria/e verrà mostrato sullo schermo.

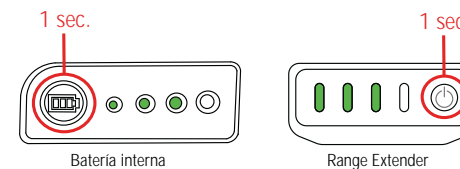
**DISPOSITIVI GARMIN COMPATIBILI. ORBEA RS TOOLBOX.** L'applicazione Orbea RS Toolbox consente di visualizzare dati importanti della Rise sul proprio dispositivo Garmin compatibile, tra cui il livello di carica della/e batteria/e in percentuale.

**AVVISO** Se durante l'utilizzo della bicicletta la percentuale della batteria rimanente non è visibile sull'Orbea RS Toolbox, lo sarà quando il livello della batteria rimanente diminuirà dell'1%. In quel momento, il sistema EP8 tornerà a comunicare mediante ANT Private il livello di batteria all'unità Garmin e il livello di batteria sarà visibile sull'unità.

Consultare come scaricare e installare l'applicazione Orbea RS Toolbox sul proprio dispositivo Garmin nella sezione specifica di questo manuale.



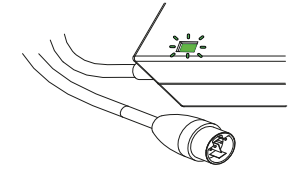
**BATTERIE ORBEA RS.** Premere per 1 secondo il pulsante principale delle batterie Orbea RS (batteria interna e Range Extender) per conoscerne il livello di carica. I LED si accenderanno mostrando il livello di carica attuale in segmenti del 25%.



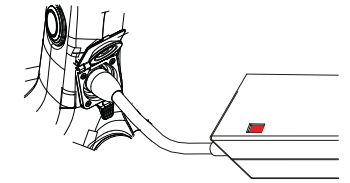
### RICARICA DELLE BATTERIE

**AVVISO** Caricare completamente la batteria interna o il Range Extender prima di utilizzare la bicicletta per la prima volta.

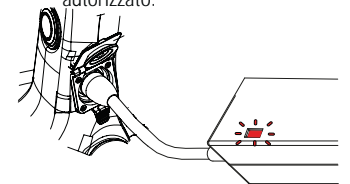
**BATTERIA INTERNA ORBEA RS.** Per caricare la batteria interna della Rise, collegare il caricabatteria a una presa. Senza il caricabatteria collegato alla bicicletta, il LED del caricabatteria lampeggia in verde.



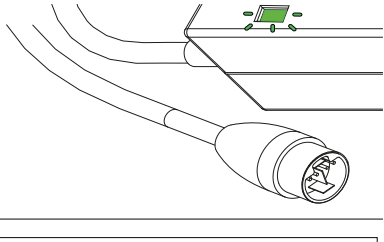
Aprire il tappo della porta di ricarica della Rise e collegare il caricabatteria. Il LED del caricabatteria mostrerà una luce rossa fissa mentre la batteria è in carica.



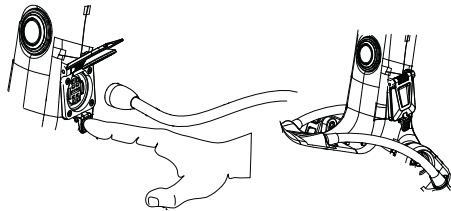
**AVVISO** Se il LED del caricabatteria lampeggia in rosso quando si collega il caricabatteria alla bicicletta o il Range Extender, c'è un problema di ricarica. Scollegare il caricabatteria immediatamente e contattare un rivenditore autorizzato.



Quando la batteria è completamente carica, il LED del caricabatteria tornerà a lampeggiare in verde per segnalare che la ricarica è conclusa.



Scollegare il caricabatteria dalla porta di ricarica della Rise premendo sulla linguetta inferiore della porta di ricarica e tirando il cavo del caricabatteria. Assicurarsi che il tappo della porta di ricarica sia correttamente chiuso.



Mentre il caricabatteria è collegato alla porta di ricarica, non si può accendere la bicicletta. Se si desidera conoscere la percentuale esatta di carica rimanente, scollegare il caricabatteria dalla porta di ricarica, accendere la bicicletta e collegarla all'applicazione per Garmin Orbea RS Toolbox (consultare la sezione di installazione e uso di Toolbox in questo manuale).

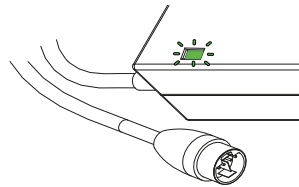
In assemblaggi con display Shimano, si potrà vedere il livello di carica sullo schermo quando si scollega il caricabatteria e si accende la bicicletta.

Evitare livelli di carica inferiori al 10% in maniera continuata.

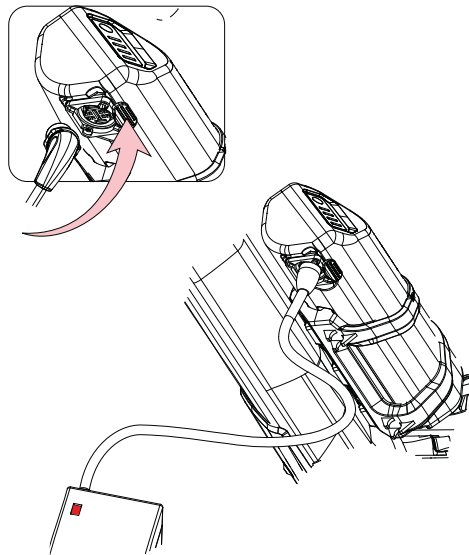
Evitare di lasciare il caricabatteria collegato alla batteria per più di 5 ore continue e caricare sempre la batteria tenendola sottocchio in modo che si possa scollegare il caricabatteria se si rileva un'anomalia come fumo, odore di bruciato o fuoco.

Le batterie al litio sono sensibili alle temperature durante il processo di carica. Rispettare sempre gli intervalli di temperatura di carica, scarica e stoccaggio descritti nel presente manuale.

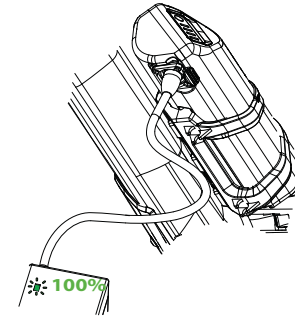
**BATTERIA ESTERNA RANGE EXTENDER.** Per caricare la batteria esterna Range Extender, collegare il caricabatteria a una presa. Senza il caricabatteria collegato alla batteria, il LED del caricabatteria lampeggia in verde.



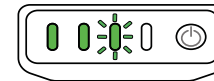
Staccare il cavo di collegamento del Range Extender dalla porta di ricarica della bicicletta premendo la linguetta della porta di ricarica del Range Extender e collegare il caricabatteria al Range Extender. Il LED del caricabatteria mostrerà una luce rossa fissa mentre la batteria è in carica.



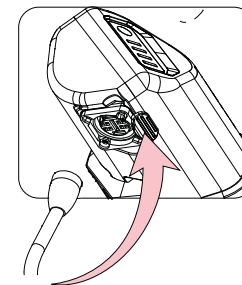
Quando la batteria è completamente carica, il LED del caricabatteria tornerà a lampeggiare in verde per segnalare che la ricarica è conclusa.



Mentre il Range Extender è in carica, i LED di indicazione di carica della batteria mostrano il livello attuale di carica.



Quando la batteria è completamente carica, scollegare il caricabatteria dalla porta di ricarica premendo la linguetta inferiore e tirando il cavo del caricabatteria.



Evitare livelli di carica inferiori al 10% in maniera continuata.

Evitare di lasciare il caricabatteria collegato alla batteria per più di 5 ore continue e caricare sempre la batteria tenendola sottocchio in modo che si possa scollegare il caricabatteria se si rileva un'anomalia come fumo, odore di bruciato o fuoco.

Le batterie al litio sono sensibili alle temperature durante il processo di carica. Rispettare sempre gli intervalli di temperatura di carica, scarica e stoccaggio descritti nel presente manuale.

**AVVISO** Consultare la sezione Informazioni importanti sulle batterie RS per avere accesso a ulteriori informazioni utili, cura e risoluzione di problemi della batteria interna e del Range Extender.

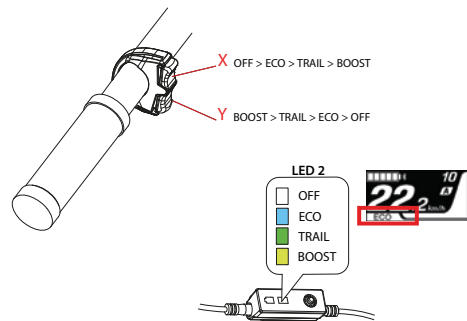
## CAMBIO DEL LIVELLO DI ASSISTENZA

· **CON LEVA SHIMANO SW-EM800 / SW-E7000-L.** Per cambiare la modalità di pedalata assistita con la leva SW-EM800 (assemblaggi con display SC-EM800) o la leva SW-E7000-L (montaggi con centralina EW-EN100), premere il tasto X per aumentare il livello di assistenza fino al massimo disponibile (Boost). Premere il tasto Y per abbassare il livello di assistenza fino al livello senza assistenza elettrica.

I livelli disponibili di assistenza sono:

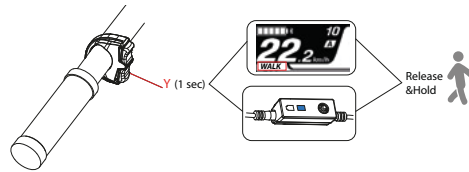
- OFF (senza assistenza elettrica)
- ECO
- TRAIL
- BOOST

Cambiando il livello di assistenza, il LED2 della centralina EW-EN100 cambierà colore per mostrare il livello di assistenza attuale. Negli assemblaggi di display, il nome del livello attuale apparirà sullo schermo.



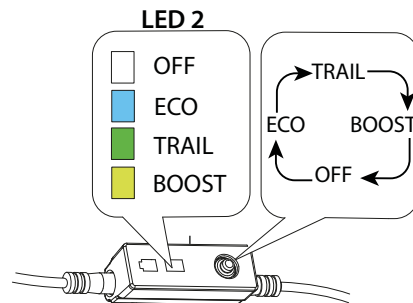
· **CAMMINATA ASSISTITA.** Per attivare la modalità di camminata assistita nella Rise, mantenere premuto per 1 secondo il pulsante Y del comando del cambio di livello di assistenza SW-EM800 o SW-E7000-L finché non appare la parola WALK sul display SC-EM800 o il LED 2 non si accenda in blu sulla centralina EW-EN100.

Rilasciare il tasto Y del comando remoto e premerlo nuovamente per attivare la camminata assistita. Rise manterrà attivata la camminata assistita mentre si mantiene premuto il tasto Y del remoto.



· **CON CENTRALINA EW-EN100.** È anche possibile cambiare i livelli di assistenza premendo il tasto della centralina Shimano EW-EN100. Premere il tasto una volta per passare al successivo livello più potente. Dopo aver raggiunto il livello BOOST, premendo un'altra volta il tasto si torna in modalità OFF (senza assistenza elettrica).

Non cambiare la modalità di assistenza mediante la centralina mentre si usa la bicicletta, poiché può comportare il rischio di incidenti e lesioni gravi. I livelli di potenza di ogni livello di assistenza possono essere modificati mediante l'applicazione mobile Shimano Etube per un'esperienza più personalizzata.



Il motore Shimano EP8 RS dispone di due profili di assistenza elettrica, in ognuno dei quali i livelli di assistenza elettrica ECO, TRAIL e BOOST possono essere personalizzati indipendentemente con l'applicazione mobile Shimano Etube Project.

Consultare la sezione sull'applicazione Shimano Etube Project di questo manuale per conoscere il metodo di modifica dei profili e dei livelli di assistenza.

Consultare il manuale completo di Shimano per l'applicazione Etube Project al seguente link:

[https://si.shimano.com/#/es/iUM/7J4MA/customization/toc\\_task\\_yvb\\_xnr\\_1mb](https://si.shimano.com/#/es/iUM/7J4MA/customization/toc_task_yvb_xnr_1mb)

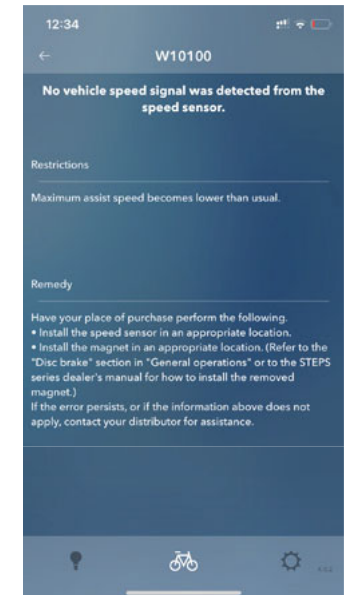
## ERRORI NEL SISTEMA

Quando si rileva un errore nel sistema, i LED della centralina EW-EN100 lampeggiano in rosso. In assemblaggi con display SC-EM800, il codice di errore verrà mostrato sullo schermo.



Riavviare la bicicletta e collegarla all'applicazione Shimano Etube Project. Nella sezione Manutenzione>Errore Log si può vedere l'errore identificato e una soluzione per risolverlo.

Si può anche consultare il manuale del sistema Shimano EP8 per conoscere i codici di errore e le soluzioni.



## 07 ORBEA RS TOOLBOX

### VISUALIZZAZIONE DEI DATI DEL SISTEMA IN DISPOSITIVI GARMIN

#### INSTALLAZIONE E SBLOCCO DI ORBEA RS TOOLBOX IN DISPOSITIVI GARMIN GARMIN CONNECT APP

Orbea RS Toolbox è un'applicazione per dispositivi Garmin esclusiva per i proprietari della Rise che si aggiunge alla propria unità compatibile come un campo dati, e consente di visualizzare informazioni importanti sulla Rise durante il percorso.

**AVVISO** Il seguente metodo descrive come installare e sbloccare Orbea RS Toolbox sul proprio dispositivo Garmin utilizzando l'applicazione per smartphone Garmin Connect mediante connessione Bluetooth. Si può seguire lo stesso metodo sul PC o Mac mediante l'applicazione Garmin Express con il proprio dispositivo collegato via cavo al computer.

**AVVISO** Per lo sblocco di Orbea RS Toolbox si deve aver registrato il numero di telaio della nuova Rise sul sito di Orbea, che inoltre consente di usufruire della garanzia a vita. Andare sul sito e registrare il numero di telaio, creando prima un profilo utente se ancora non se ne ha uno.

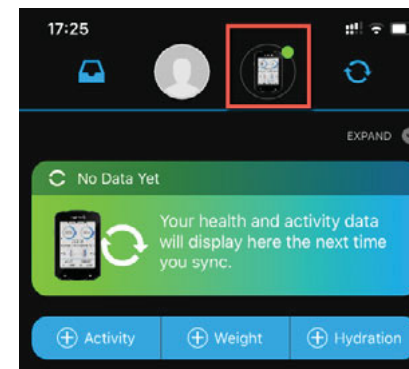
[www.orbea.com/es-es/access-register](http://www.orbea.com/es-es/access-register)

Il numero di telaio della bicicletta è un codice di 11 caratteri che si trova sul telaio:

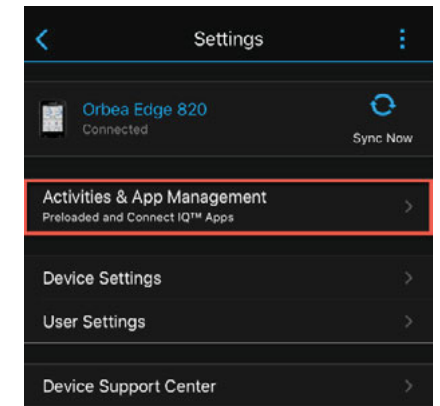


1. Dopo aver registrato il numero di telaio della bicicletta sul sito di Orbea, aprire l'applicazione Garmin Connect sullo smartphone e collegare il proprio dispositivo mediante Bluetooth.

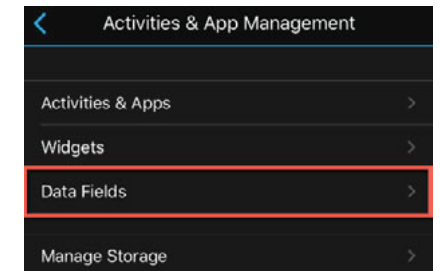
Prima si deve aver scaricato e installato Garmin Connect da Google Play o Apple Store



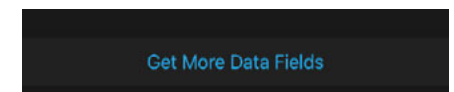
2. Selezionare "Attività e gestione delle applicazioni".



3. Selezionare "Campi dati".



4. Premere su "Ottieni altri campi dati".

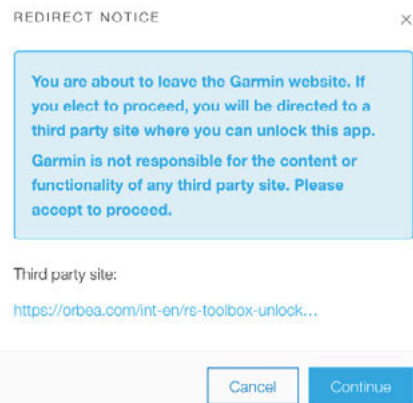


5. Cercare nello shop IQ Store "Orbea RS Toolbox". Selezionare "Sblocca" Orbea RS Toolbox.

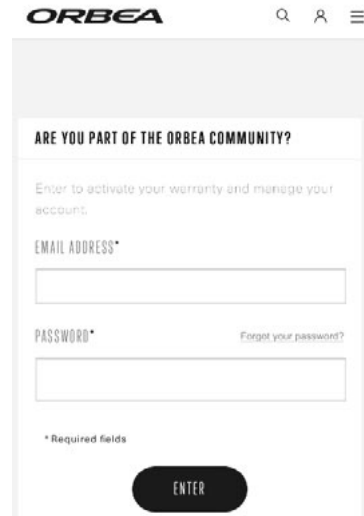


**AVVISO** Se non si riesce a vedere l'applicazione Orbea RS Toolbox nello shop Garmin IQ, il dispositivo non è compatibile con l'applicazione. Lavoriamo ogni giorno per includere altri dispositivi compatibili; contattare Orbea se si desiderano ulteriori informazioni.

6. Un messaggio indicherà che si sta per uscire dallo shop IQ. Accettare per venire reindirizzati alla pagina di attivazione di Orbea.



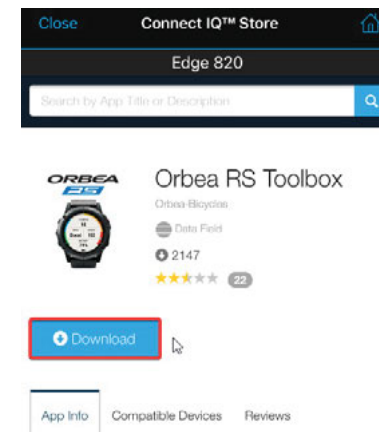
7. Introdurre i propri dati di accesso all'account di Orbea.



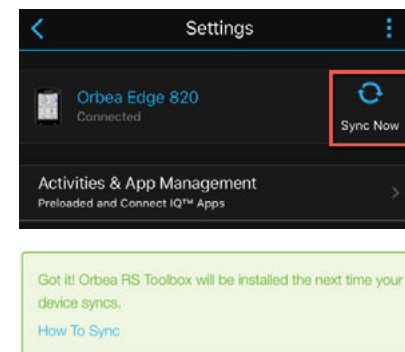
8. Se il numero di telaio della propria Rise era già stato registrato in precedenza, un messaggio indicherà che il dispositivo Garmin è stato sbloccato correttamente.

9. Tornare su Garmin Connect con il cellulare. Il tasto di sblocco non appare ancora sul display dell'Orbea RS Toolbox. Cercare nuovamente Orbea RS Toolbox sul motore di ricerca di Garmin Connect e selezionare l'applicazione. Il tasto di sblocco ora è scomparso ed è visibile solo il tasto di download.

Scaricare l'applicazione. Un messaggio indicherà che l'applicazione verrà installata quando il dispositivo sarà sincronizzato.

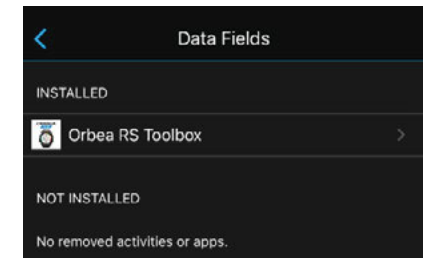


10. Tornare a Garmin Connect sul proprio smartphone e sincronizzare il dispositivo con l'applicazione.



11. Accedere a "Campi dati" su "Attività e gestione delle applicazioni". Si vedrà Orbea RS Toolbox installata sul proprio dispositivo.

Se l'applicazione è visibile ma appare come non installata, sincronizzare il dispositivo.

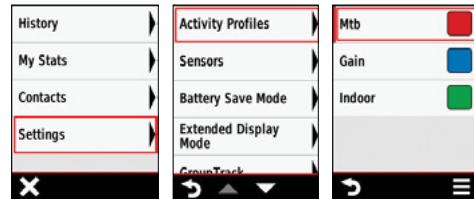


## VISUALIZZAZIONE DI ORBEA TOOLBOX SUL DISPOSITIVO

Dopo aver scaricato e sbloccato l'applicazione Orbea Toolbox mediante Garmin Express (PC o Mac) o Garmin Connect (smartphone) e aver sincronizzato il dispositivo, attivare la visualizzazione dei campi dati nel dispositivo compatibile.

Successivamente viene mostrato il processo di visualizzazione del campo dati per dispositivi Garmin da polso e unità Edge compatibili.

1. Accendere la Rise e il dispositivo Garmin su cui si vogliono visualizzare i dati della bicicletta, che si abbineranno automaticamente.
2. Accedere ai Profili nel menu Impostazioni del dispositivo e scegliere il profilo di attività da cui si vuole accedere ai dati della Rise.

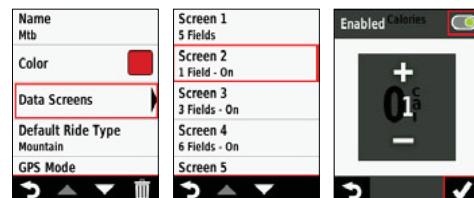


Dispositivi Garmin Edge



Dispositivi Garmin da polso

3. Selezionare "Schermate di dati" e la pagina del profilo di attività in cui si vogliono vedere i dati della Rise. Attivare la pagina di dati e scegliere la visualizzazione di un campo dati unico.



Dispositivi Garmin Edge

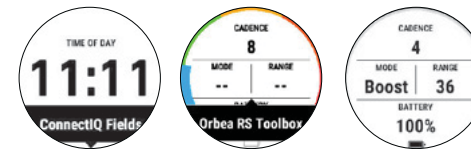


Dispositivi Garmin da polso

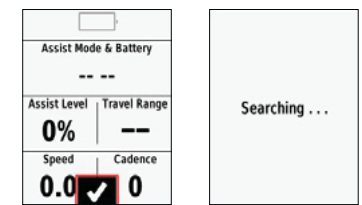
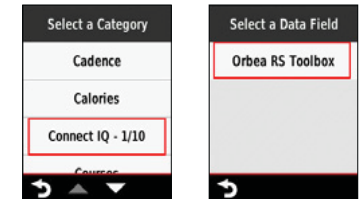
4. Scegliere le informazioni che si vogliono visualizzare nel campo dati.

Selezionare Connect IQ e premere Orbea RS Toolbox.

Se non si aveva collegato la bicicletta prima di scegliere la visualizzazione del campo dati, il dispositivo mostrerà il messaggio "Ricerca..." dopo aver scelto il campo dati Orbea RS Toolbox. Quando si accende la bicicletta e si accede alla pagina selezionata nel profilo di attività del proprio dispositivo, i dati della Rise saranno visibili.

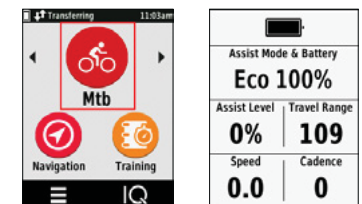


Dispositivi Garmin da polso

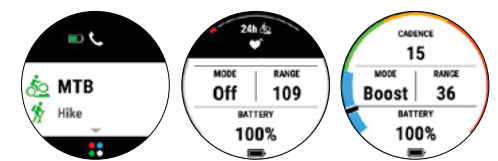


Dispositivi Garmin Edge

5. Con la bicicletta accesa, accedere al profilo di attività selezionato per la visualizzazione dei dati della Rise o iniziare un'attività su questo profilo. Navigare fino alla pagina di dati dove si è selezionato di visualizzare Orbea RS Toolbox per accedere alle informazioni della bicicletta.



Dispositivi Garmin Edge



Dispositivi Garmin da polso

## USO DI ORBEA RS TOOLBOX

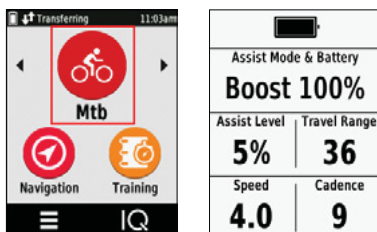
**AVVISO** Orbea RS Toolbox non è compatibile con l'uso simultaneo dell'applicazione Garmin Edge Shimano STEPS nativa in dispositivi Edge 530, 830, 1030 e 1030 Plus. Scollegare o eliminare la bicicletta dalla lista dei sensori sul proprio dispositivo Garmin prima di usare Orbea RS Toolbox prima di ogni uso. Questa limitazione non dipende da Toolbox, ma viene da Garmin.

### COLLEGARE LA PROPRIA RISE ALL'ORBEA RS TOOLBOX

Accendere sempre il dispositivo Garmin prima e iniziare a registrare l'attività, poi accendere la Rise affinché compaia il dato di carica rimanente sin dal primo momento su Toolbox. In caso contrario, il livello di carica rimanente verrà mostrato una volta percorsa una determinata distanza e che il livello della carica sia diminuito di un 1%.

Avviando Toolbox, esso si collegherà alla bicicletta con il segnale più forte (solitamente il più vicino) quindi si collegherà definitivamente con quella bicicletta. Se si riscontrano problemi di collegamento, assicurarsi che la Rise sia la sola bicicletta accesa per agevolarne il collegamento.

Il collegamento tra la Rise e l'Orbea RS Toolbox si effettua mediante protocollo ANT Private automaticamente. Se i dati della Rise non vengono mostrati nel campo dati attivo del dispositivo Garmin, provare a premere i tasti di cambio di livello di assistenza. Se i dati di Toolbox non sono ancora visibili, spegnere e riaccendere la bicicletta per riavviare il collegamento.

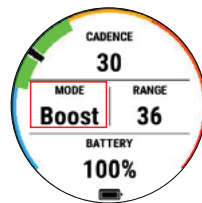


### DATI VISIBILI DELLA RISE NELL'ORBEA RS TOOLBOX

**MODALITÀ DI ASSISTENZA.** Mostra la modalità di assistenza attuale del sistema tra i quattro livelli disponibili: Off, Eco, Trail, Boost.

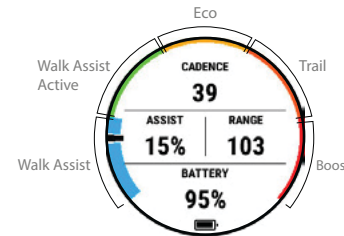
**Opzioni di visualizzazione della modalità di assistenza:** Orbea RS Toolbox consente di visualizzare della modalità di assistenza selezionata in due modi. Consultare la sezione **Personalizzazione dei campi dati** per conoscere il metodo di selezione delle informazioni di ogni campo.

· Si può scegliere la visualizzazione della modalità di assistenza selezionata attraverso uno dei campi dati dello schermo, dove apparirà il nome del livello di assistenza attuale.



· È anche possibile visualizzare le modalità di assistenza selezionate mediante il cerchio esterno di Toolbox. Scegliendo una modalità di assistenza, la porzione corrispondente sarà evidenziata. I codici colorati sono:

BLU: Walk Assist selezionato ma non attivo.  
VERDE: Walk Assist in funzionamento.  
GIALLO: Eco.  
ARANCIONE: Trail.  
ROSSO: Boost.



**BATTERIA.** Livello di carica della batteria mostrato come percentuale.

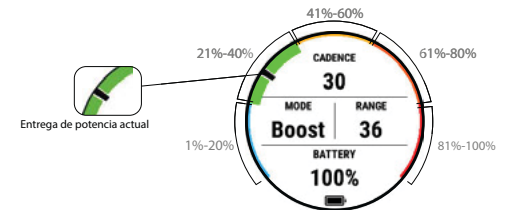
Se una batteria esterna Range Extender è collegata, il sistema terrà conto della capacità totale complessiva della batteria interna e del Range Extender (612 Wh) e Toolbox mostrerà la percentuale di batteria rimanente tenendo conto della carica di entrambe le batterie.

**AVVISO** Se durante l'utilizzo della bicicletta la percentuale della batteria rimanente non è visibile sull'Orbea RS Toolbox, tornerà ad esserlo quando il livello della batteria rimanente diminuirà dell'1%. In quel momento, il sistema EP8 tornerà a comunicare mediante ANT Private il livello di batteria all'unità Garmin e il livello di batteria sarà visibile sull'unità.

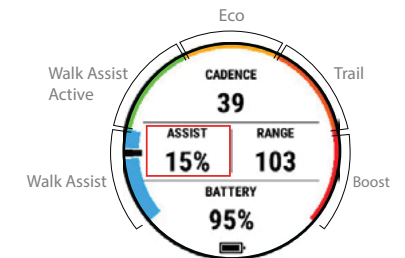
**LIVELLO DI ASSISTENZA.** Livello di resa dell'assistenza elettrica del motore in funzione della modalità di assistenza attuale. È mostrato come percentuale della potenza totale disponibile del motore.

**Opzioni di visualizzazione del livello di assistenza in dispositivi da polso:** Orbea RS Toolbox consente di visualizzare il livello di assistenza attuale in due modi. Consultare la sezione **Personalizzazione dei campi dati** per conoscere il metodo di selezione delle informazioni di ciascun campo.

· È possibile visualizzare il livello di assistenza del motore mediante il cerchio esterno di Toolbox. In questo caso viene mostrato il livello di assistenza mediante una linea nera che percorre le zone di potenza del motore (1-100%). Di default, le diverse modalità di assistenza permettono di accedere a determinate zone di potenza del motore. Per esempio, solo le modalità di assistenza più potenti consentono che il motore fornisca circa il 100% della potenza.



· È anche possibile visualizzare il livello di assistenza mediante il campo dati Assist, che mostra la potenza attuale come percentuale di quella totale disponibile.



**AUTONOMIA.** Intervallo di autonomia (in km o miglia) nella modalità di assistenza e livello di batteria attuale. Questo dato cambia in funzione della potenza fornita dal ciclista, tenendo conto anche dell'uso precedente della bicicletta.

**VELOCITÀ.** Velocità attuale della bicicletta.

**CADENZA.** Cadenza della pedalata del ciclista.



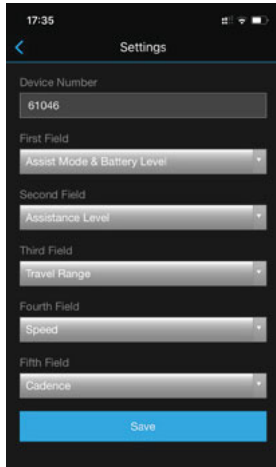
## PERSONALIZZAZIONE DEI CAMPI DATI

L'ordine in cui i dati del sistema sono mostrati sullo schermo Toolbox del dispositivo compatibile può essere personalizzato con Garmin Express o con l'applicazione mobile Garmin Connect.

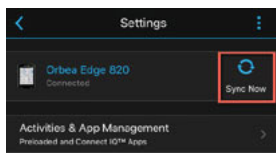
1. Aprire Garmin Connect sullo smartphone e collegare il dispositivo.
2. Accedere al dispositivo attraverso l'applicazione e andare sul menu Impostazioni di Orbea RS Toolbox:

*Gestione delle applicazioni > Campi dati > Orbea RS Toolbox > Impostazioni*

3. Selezionare il dato che si desidera vedere in ogni campo di Orbea Toolbox mediante i menu a discesa e premere Salva.



4. Tornare alla schermata principale dell'applicazione e selezionare Sincronizza adesso.



Quando si ricollega il dispositivo alla Rise, i dati vengono organizzati secondo l'impostazione salvata.

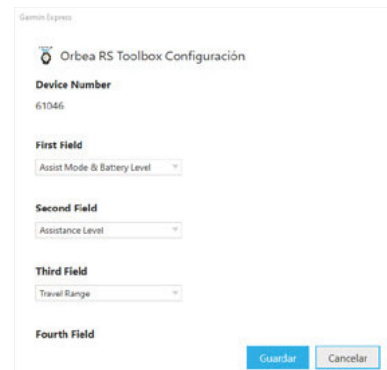
Se il dispositivo era collegato alla Rise quando sono state salvate le modifiche, si vedrà la nuova impostazione immediatamente.

## GARMIN EXPRESS (PC E MAC)

Anche i campi visibili possono essere personalizzati usando l'applicazione Garmin Express per PC o Mac.

Collegare il dispositivo al computer mediante il cavo e accedere ad Applicazioni installate. Premere il tasto Impostazioni di Orbea RS Toolbox e selezionare i dati che si desiderano visualizzare in ogni campo.

Salvare le modifiche e sincronizzare il dispositivo.



## REGISTRAZIONE DEI DATI DELLA RISE IN ATTIVITÀ CON GARMIN CONNECT

Quando si registra un'attività con la Rise utilizzando Orbea RS Toolbox sul dispositivo Garmin compatibile, i dati di Toolbox rimangono registrati insieme agli altri parametri nell'attività. In tal modo, si può accedere ai dati di livello di assistenza, autonomia, carica della batteria, cadenza della pedalata, ecc.

Consultare con Garmin Connect i dati di Orbea RS Toolbox durante la sua attività allo stesso modo in cui si consultano gli altri dati registrati dal dispositivo Garmin.



## 08 SHIMANO ETUBE PROJECT

### PERSONALIZZAZIONE DEL SISTEMA DI ASSISTENZA ELETTRICA

Il sistema Shimano EP8, mediante l'applicazione per smartphone Etube Project, permette di personalizzare i livelli di assistenza per regolare la Rise alle proprie esigenze. Ciascun livello di assistenza può essere modificato per una resa di potenza adatta al proprio stile di guida.

Il motore EP8 consente anche la selezione di due profili di assistenza. All'interno di ciascun profilo, ogni livello di assistenza può essere modificato per raggiungere la modalità di potenza che più si addice alle proprie esigenze.

Il profilo di assistenza 1 è progettato per attività con un dislivello meno pronunciato, riducendo la resa di potenza del motore e aumentando l'autonomia. Il profilo 2 è progettato per attività più esigenti con dislivelli più pronunciati, aumentando la resa di potenza dei livelli di assistenza. Si può consultare il manuale completo dell'applicazione Etube Project per smartphone nella documentazione di Shimano. L'applicazione Etube Project mette a disposizione anche funzioni come la personalizzazione dei controlli remoti, generazione di rapporti di errori, aggiornamento di firmware dei componenti, ecc.

Consultare il manuale completo dell'applicazione qui:

<https://si.shimano.com/#/en/iUM/7J4MA>

Scaricare e installare Etube Project sullo smartphone da Google Play o Apple Store.

1. **Aprire Etube Project sullo smartphone.** Accendere la Rise e aprire l'applicazione sul telefono.
2. **Selezionare Registra e-bike.**
3. **Selezionare l'unità da associare.**
4. **Registrare la Rise su Etube Project.**  
Si può scegliere una password per essere i soli a poter effettuare modifiche nella propria bicicletta. Se non si desidera cambiare la password, proseguire con il seguente passaggio.
5. **Selezionare la scheda Assistenza.**

6. **Modificare la coppia massima di ogni livello di assistenza del Profilo 1 o 2.**

7. **Si può scegliere quale profilo di assistenza si preferisce per la propria attività.** Il profilo di assistenza 1 è predeterminato per profili di attività con minore dislivello, mentre il profilo di attività 2 è predeterminato per livelli di assistenza in attività con maggiore dislivello.

\* Ricordare di applicare le modifiche per ogni cambio del sistema usato nell'applicazione Etube Project.

Mentre i livelli di assistenza all'interno di un profilo possono essere selezionati attraverso il comando remoto del manubrio, per cambiare il profilo di assistenza si deve usare l'applicazione Etube Project. Una volta selezionato il profilo di assistenza, i livelli del profilo potranno essere selezionati mediante il comando remoto del manubrio.

### VISUALIZZAZIONE DEGLI ERRORI NEL SISTEMA

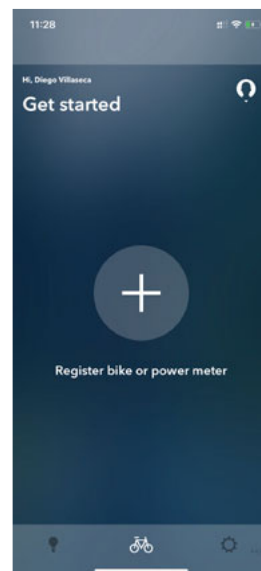
Nel caso vi siano errori nel sistema di assistenza elettrica, Etube Project permette di visualizzare i codici di errore e il metodo di verifica e riparazione per tale errore.

In assemblaggi con la centralina EW-EN100 (senza display), la presenza di un errore nel sistema verrà indicata da entrambi i LED della centralina che lampeggiano contemporaneamente. Per conoscere il codice di errore e il metodo di diagnosi, collegare la Rise all'applicazione Shimano Etube Project.

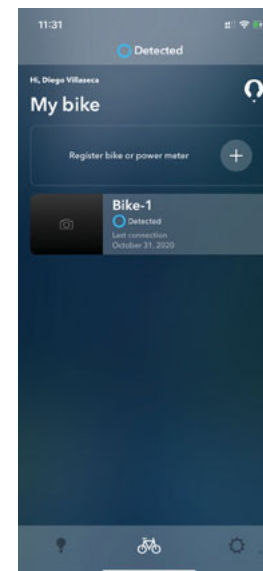
Se l'errore persiste dopo aver applicato il metodo proposto dall'applicazione o dal manuale del sistema STEPS, portare la bicicletta da un rivenditore autorizzato per una diagnosi completa.

In assemblaggi con il display SC-EM800, se c'è un errore nel sistema, il codice di tale errore apparirà sullo schermo del display. Consultare il manuale del sistema Shimano STEPS o collegare la Rise all'applicazione Shimano Etube Project per conoscere il metodo di diagnosi.

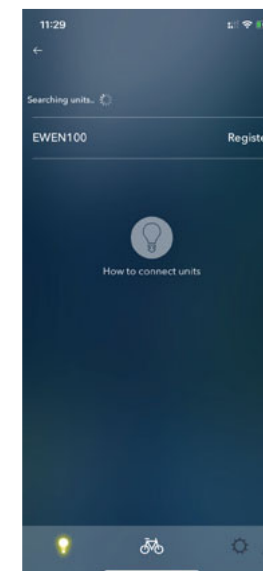
Se l'errore persiste dopo aver applicato il metodo proposto dall'applicazione o dal manuale del sistema STEPS, portare la bicicletta da un rivenditore autorizzato per una diagnosi completa.



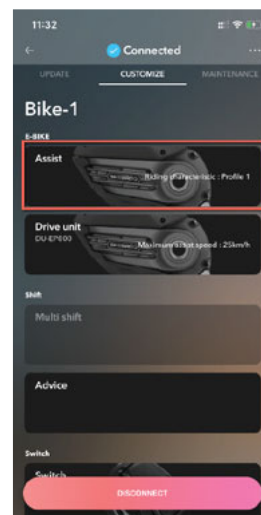
2



3



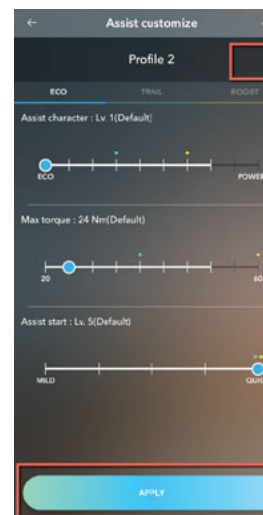
4



5



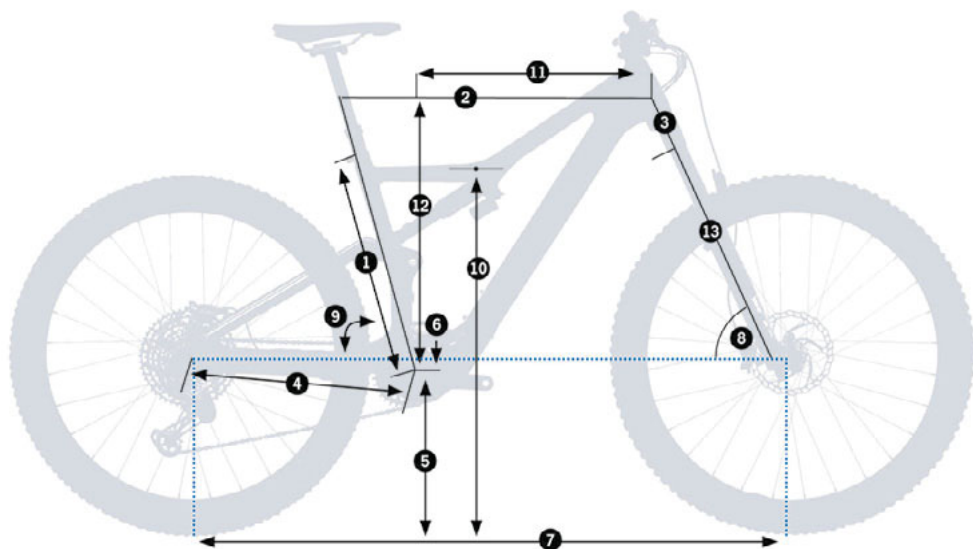
6



7

## 09 GEOMETRIA ED ERGONOMIA

RISE



TAGLIA	S	M	L	XL
1 - Tubo verticale (C-T)	381	419	457	508
2 - Tubo orizzontale (EFF)	565	592	619	649
3 - Tubo frontale	95	105	120	140
4 - Fodero	445	445	445	445
5 - Altezza del movimento centrale	336	336	336	336
6 - Caduta del movimento centrale**	35/32	35/32	35/32	35/32
7 - Distanza tra gli assi	1.180	1.205	1.229	1.255
8 - Angolo frontale**	66°/65,5°	66°/65,5°	66°/65,5°	66°/65,5°
9 - Angolo della sella**	77°/76,5°	77°/76,5°	77°/76,5°	77°/76,5°
10 - Altezza base	710	736	766	776
11 - Larghezza del telaio	425	450	474	500
12 - Altezza del telaio	604	613	627	646
13 - Lunghezza forcella	547	547	547	547

ALTEZZA (CM)	ALTEZZA (IN)	TAGLIA*
150 – 165	59.1" – 65.0"	S
160 – 175	63.0" – 68.9"	M
170 – 185	66.9" – 72.8"	L
180 – 198	70.9" – 78.0"	XL

\* Le misure della tabella di ergonomia e taglie sono orientative. Il metodo più efficace per conoscere la taglia più adatta a sé è provare la bicicletta presso uno dei nostri rivenditori.

\*\*Con forcella 140/150 mm

## ALTEZZA MASSIMA E MINIMA DELLA SELLA CON REGGISSELLA TELESCOPICA

Nella seguente tabella sono riportate le altezze massime e minime della sella con il reggisella telescopico in posizione estesa per ogni taglia del telaio.

L'altezza massima della sella si riferisce all'altezza della sella con il reggisella installato nel suo inserimento minimo, definito dal reggisella.

L'altezza minima si riferisce all'altezza con il reggisella installato nell'inserimento massimo, definito dal telaio.

Vengono riportate solo le altezze massime e minime per le opzioni di reggisella telescopico e selle montate da Orbea per un telaio specifico. Per conoscere queste misure quando si utilizza un reggisella telescopico diverso, consultare le specifiche con il fabbricante del reggisella e le misure di inserimento massimo del telaio nella sezione delle specifiche tecniche di questo manuale.

### AVVISO

Le misure della seguente tabella definiscono la distanza tra il centro della scatola del movimento centrale fino a metà della parte superiore della sella (modelli di sella montati da Orbea).

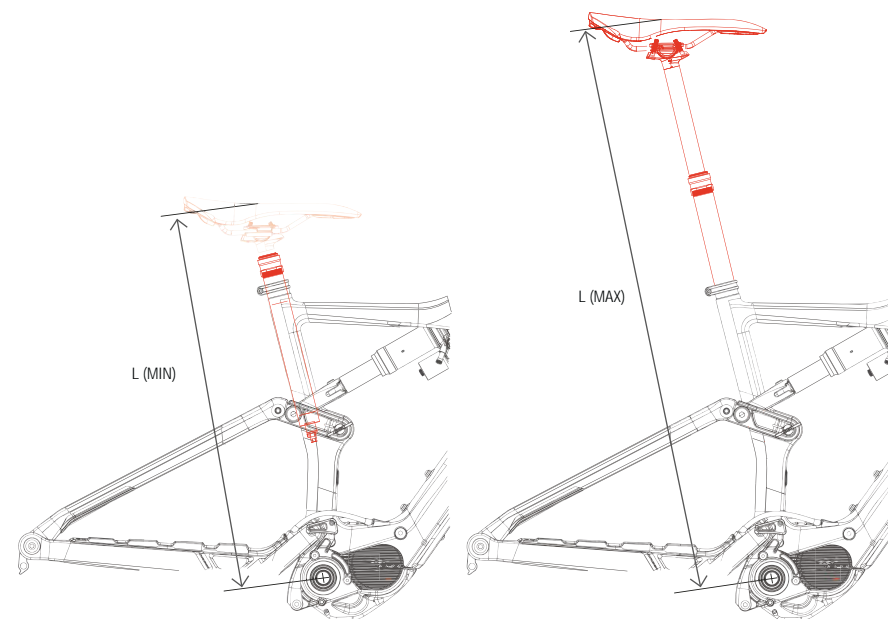
Diverse selle sul mercato possono variare le misure date di +/-5 mm in funzione dell'altezza del modello di sella. Se l'altezza della sella differisce da una misura data di meno di 5 mm, è possibile regolarla montando un modello di sella diverso disponibile sul mercato.

Se l'altezza della sella differisce dalle misure date di più di 5 mm, si deve scegliere un reggisella telescopico con una corsa maggiore o minore.

### TELAIO/TAGLIA

MODELLO SELLA TELESCOPICO	REGGI- SELLA	ALTEZZA SELLA ESTESA	RISE (S)	RISE (M)	RISE (L)	RISE (XL)
OC2 31.6 125 mm		Minima	627 mm*	650 mm*	691 mm*	738 mm*
		Massima	741 mm*	778 mm*	818 mm*	866 mm*
OC2 31.6 150 mm		Minima	675 mm*	675 mm*	713 mm*	763 mm*
		Massima	790 mm*	827 mm*	866 mm*	918 mm*
OC2 31.6 170 mm		Minima	716 mm*	717 mm*	734 mm*	785 mm*
		Massima	831 mm*	866 mm*	908 mm*	957 mm*
FOX TRANSFER 31.6 125 mm		Minima	598 mm*	630 mm*	670 mm*	718 mm*
		Massima	692 mm*	730 mm*	769 mm*	820 mm*
FOX TRANSFER 31.6 150 mm		Minima	652 mm*	654 mm*	695 mm*	744 mm*
		Massima	746 mm*	782 mm*	824 mm*	874 mm*
FOX TRANSFER 31.6 175 mm		Minima	709 mm*	708 mm*	720 mm*	768 mm*
		Massima	804 mm*	840 mm*	881 mm*	930 mm*

\* Le misure possono variare di +/-5 mm in funzione dell'altezza del modello di sella.



# 10 SPECIFICHE TECNICHE

## RISE

<b>MATERIALE DEL TELAIO</b>	
Triangolo anteriore:	ORBEA OMR CARBON
Fodero (orizzontale e obliquo)	ORBEA OMR CARBON
<b>Biella</b>	ALLUMINIO
Uso consigliato	TRAIL, ALL-MOUNTAIN
Taglie	S, M, L, XL
Design della sospensione	CONCENTRIC BOOST 2 PIVOT
Corsa della forcella	140 mm × 150 mm
Lunghezza massima della forcella (axle-to-crown)	561 mm
Rake della forcella	44 mm
Corsa posteriore	140 mm
<b>MISURE AMMORTIZZATORE</b>	
Hardware dell'ammortizzatore	METRIC. 210x55
Telaio	8x21,84 mm
Estensore ammortizzatore	8x15,75 mm
SAG consigliato	25 – 30%
Sterzo	Integrato. 1 1/8" – 1 1/2"
Distanziali sterzo (massimo)	30 mm
Movimento centrale	MOTORE SHIMANO EP8.
Linea di catena	BOOST. 53 mm
Dimensioni della ruota	29"
Dimensioni massime copertone posteriore	2,5
Dimensioni massime copertone anteriore	Dipende dalla forcella
Assemblaggio magnete velocità Shimano	In disco del freno posteriore
Standard asse posteriore	BOOST 12x148
Dimensioni asse posteriore	12x187 mm
Filettatura asse posteriore	1,5 mm
Lunghezza vite asse posteriore	15 mm
Diametro reggisella	31,6 mm
Diametro ghiera del reggisella	35 mm

<b>INSERIMENTO MASSIMO DEL REGGISELLA</b>	
S	222 mm
M	255 mm
L	300 mm
XL	350 mm
Compatibile reggisella telescopico cablaggio interno	SI
Deviatore anteriore	NO
Corone compatibili	Shimano STEPS spline 12 V Linea di catena 53 mm
Dimensioni max. corona	34T
Dimensioni min. corona	30T
Compatibile corona ovale	NO
Tipi di freni	DISCO*
Standard pinza del freno posteriore	POST MOUNT
Dimensioni massime disco posteriore	203 mm
Dimensioni minime disco posteriore	180 mm
Compatibile guida della catena	SI. Guida della catena Shimano E7000-E8000-EP8
ICGS	NO
Cablaggio	Cambio e freno: Interno in tubo obliquo e foderi. Guaina completa Sistema e-bike: Interno in tubo obliquo e fodero
Compatibile cablaggio freno posteriore sinistro	SI. Il freno posteriore entra nel telaio dal lato sinistro
Portaborraccia	1. In tutte le taglie. Assemblaggio di supporto Range Extender o portaborraccia standard
Compatibilità trasmissioni	11 V e 12 V. MTB
Compatibile Shimano DI2	SI. Cambio posteriore
Compatibile SRAM AXS	SI
Compatibilità potenziometro	NO
Compatibile con trailer	NO
Assemblaggio di portapacchi	NO
Assemblaggio di parafanghi	NO
Assemblaggio seggiolino	NO

\* Non tutti i modelli di pinza e disco sul mercato sono compatibili con tutti i telai.

Tutti gli assemblaggi specificati da Orbea sono verificati. Per montaggi aftermarket, verificare le dimensioni e le tolleranze prima dell'acquisto.

## SPECIFICHE TECNICHE

### SHIMANO EP8 RS

Consultare il manuale del sistema Shimano EP8 RS nella documentazione del fabbricante. Ricordarsi che le batterie RS sono esclusive di Orbea.

<https://si.shimano.com/api/publish/storage/pdf/en/dm/EP800/DM-EP800-01-ENG.pdf>

#### MOTORE SHIMANO EP8 RS

Potenza nominale	250 W
Tensione	36 V
Tipo	BRUSHLESS DC
Coppia massima	60 Nm
Velocità massima	25 Kph (EU) 20 Mph / 32 Kph (US)
Peso	2,6 kg
Profili di assistenza	2 (selezionabili attraverso Etube Project app)
Modalità di assistenza (per profilo)	3 (ECO, TRAIL, BOOST), modificabili attraverso Etube Project app
Walk Assist	Sì
Standard cablaggio STEPS/DI2	EW-SD300

#### CENTRALINA EW-EN100

Funzioni	Visualizzazione del livello di carica Visualizzazione e cambio della modalità di assistenza Visualizzazione di errori
Connettività	Bluetooth (Shimano Etube Project app) ANT Private
Assemblaggio	In cavo del cambio DI2
Standard cablaggio STEPS/DI2	EW-SD50

#### DISPLAY SC-EM800 (OPTIONAL)

Funzioni	Visualizzazione del livello di carica Visualizzazione della modalità di assistenza Visualizzazione di errori
Connettività	Bluetooth (Shimano Etube Project app) ANT Private
Assemblaggio	Su manubrio
Standard cablaggio STEPS/DI2	EW-SD300

#### LEVE DEL CAMBIO DI ASSISTENZA SW-EM7000-L / SW-EM800 (OPTIONAL)

Funzioni	Cambio della modalità di assistenza Attivazione Walk Assist
Assemblaggio	Manubrio (diametro ghiera 22,2 mm)
Standard cablaggio STEPS/DI2	EM7000-L > EW-SD50 EM800 > EW-SD300

#### SENSORE DI VELOCITÀ EW-SS301

Assemblaggio	Su base sinistra. Cablaggio interno
Magnete	In disco del freno

## BATTERIA INTERNA ORBEA RS

Tensione	36 V
Capacità	360 Wh
Peso	2,2 kg
Celle	IONI DI LITIO. 21700
Tempo di ricarica (2 A)	5 ORE
Assemblaggio	INTERNO. IN TUBO OBLIQUO
Connessione	CAVO HARNESS A MOTORE, PORTA DI RICARICA E PULSANTE DI ACCENSIONE

## BATTERIA ESTERNA RANGE EXTENDER RS

Tensione	36 V
Capacità	252 Wh
Peso	1,4 kg
Celle	IONI DI LITIO. 18650
Tempo di ricarica (2 A)	3,5 ORE
Assemblaggio	PORTABORRACCIA SPECIFICO SU TUBO OBLIQUO
Connessione	CAVO RANGE EXTENDER ALLA PORTA DI RICARICA DELLA RISE

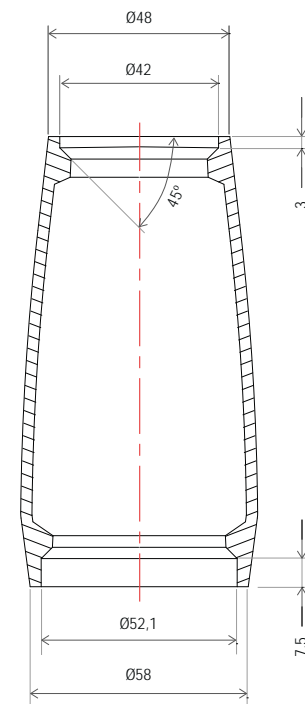
## CARICABATTERIA RS 2A

Entrata	100 - 240 V
Uscita	42 V
Corrente di ricarica	2 A

# 11 ASSEMBLAGGIO E RICAMBI

## STERZO

### DIMENSIONI DEL CANNOTTO DI STERZO



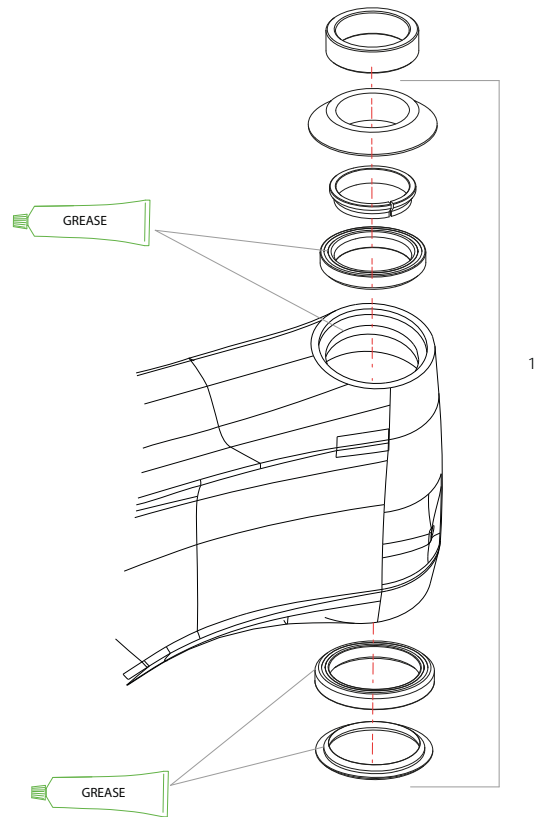
### SPECIFICHE DELLO STERZO

	TIPO	ID*	OD**	Angolo della pista del cuscinetto	Angolo di contatto con anello di compressione / pista della forcella	SHIS CODE
<b>SUPERIORE</b>	1-1/8" Integrata	42 mm	48 mm	$45^\circ$	$45^\circ$	IS42/28.6
<b>INFERIORE</b>	1-1/2" Integrata	52,1 mm	58 mm	$45^\circ$	$45^\circ$	IS52/40

\* ID: Diametro interno del canotto di sterzo.

\*\* OD: Diametro esterno del canotto di sterzo.

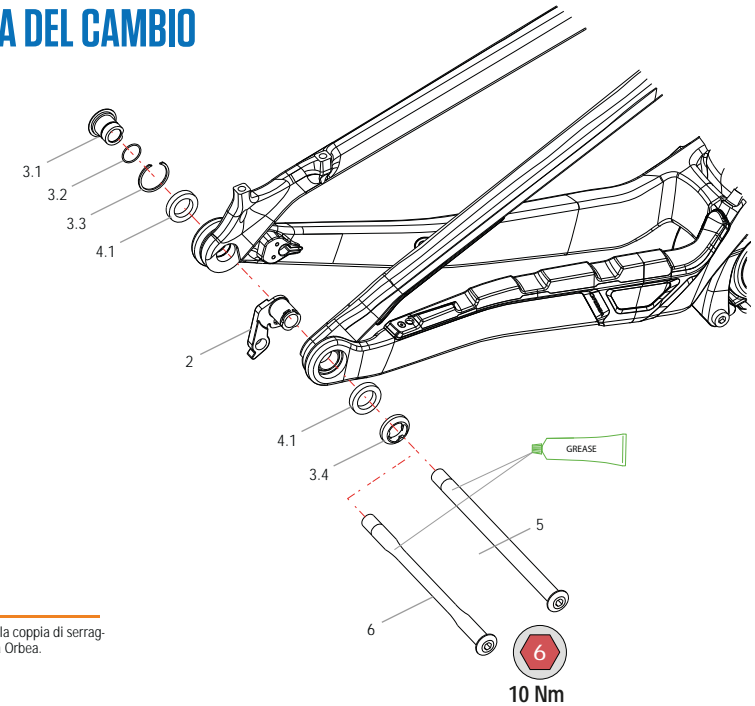
## SMONTAGGIO E ASSEMBLAGGIO DELLO STERZO



### 01 STERZO INTEGRATO MTB 1 1/8" - 1 1/2"


ART. N.: X0230000		QUANT.
	1.1 TAPPO DELL'ATTACCO MANUBRIO	1
	1.2 VITE DI PRECARICA STERZO	1
	1.3 RAGNETTO 1 1/8"	1
	1.4 TAPPO DELL'ATTACCO MANUBRIO	1
	1.5 ANELLO DI COMPRESSIONE	1
	1.6 CUSCINETTO SUPERIORE	1
	1.7 CUSCINETTO INFERIORE	1
	1.8 PISTA DEL CUSCINETTO FORCELLA	1

## ASSI E LEVA DEL CAMBIO




**⚠** Eseguire sempre la coppia di serraggio consigliata da Orbea.

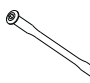
### 02 LEVA DEL CAMBIO STANDARD X12 FS 21

ART. N.: X1600000		QUANT.
	LEVA DEL CAMBIO STANDARD X12 FS 21	1

### 04 KIT CUSCINETTI ASSE POSTERIORE FS20

ART. N.: X2040000		QUANT.
	4.1 CUSCINETTO 6803	2

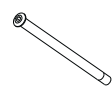
### 06 ASSE PASSANTE BOOST 12x148 LITE (12x187x1,5x15)

ART. N.: X2060000		QUANT.
	ASSE PASSANTE BOOST 12x148 LITE (12x187x1,5x15)	1

### 03 KIT PEZZI ASSE POSTERIORE FS20 (non include leva)

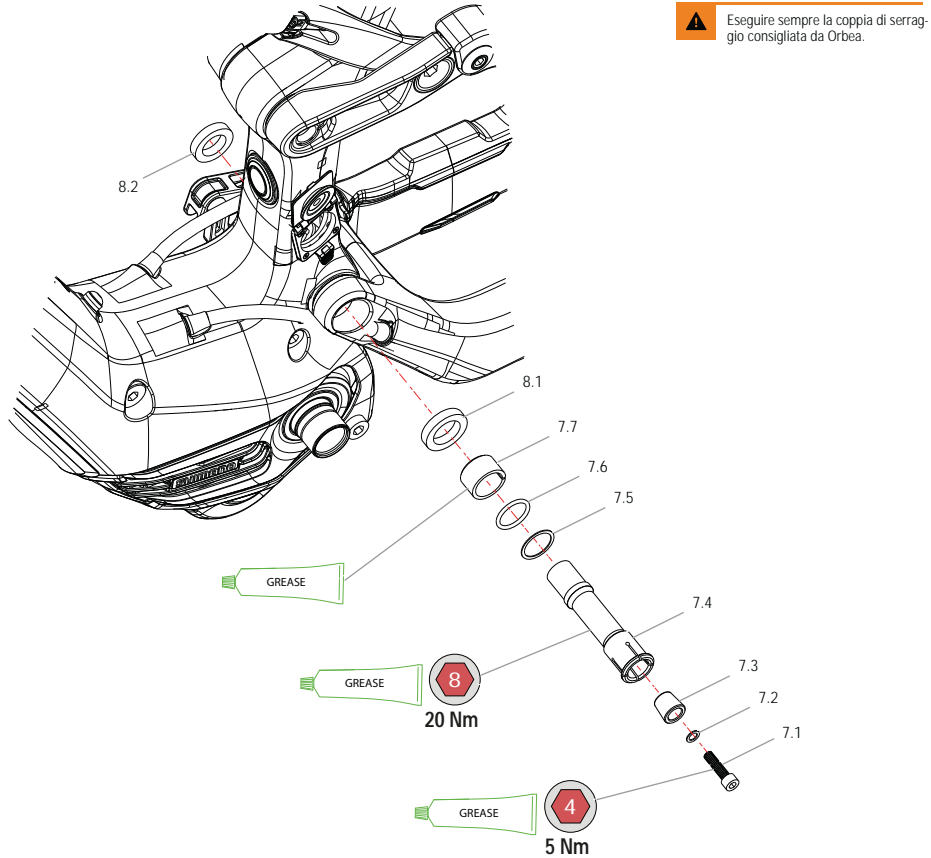
ART. N.: X2030000		QUANT.
	3.1 DADO ASSE SN	1
	3.2 O-RING SN 13x1	1
	3.3 SEEGER SN SB 26 mm	1
	3.4 ANELLO DI BLOCCAGGIO LEVA DS	1

### 05 ASSE PASSANTE BOOST 12x148 FORO (12x187x1,5x15)

ART. N.: X2050000		QUANT.
	ASSE PASSANTE BOOST 12x148 FORO (12x187x1,5x15)	1



# PUNTO DI SNODO PRINCIPALE DEL FODERO ORIZZONTALE



### 07 KIT PEZZI PUNTO DI SNODO PRINCIPALE RISE-OCCAM M

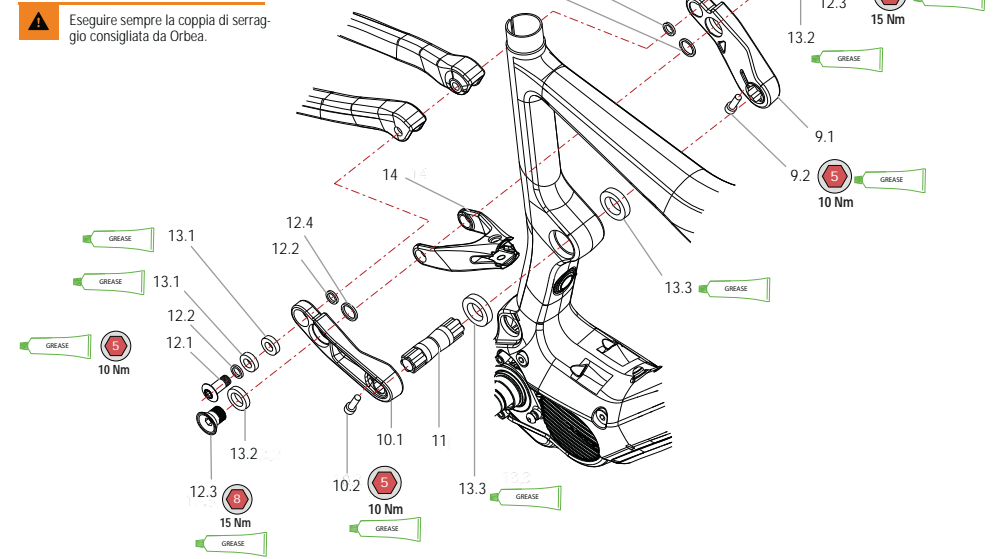
ART. N.: X2140000	QUANT.
7.1 VITE EXPANDER M5x20	1
7.2 RONDELLA EXPANDER 5x8x0,5	1
7.3 CONO EXPANDER ASSE PRINC.	1
7.4 ASSE PUNTO SNODO PRINC.	1
7.5 RONDELLA ASSE 17x20,5x0,5	1
7.6 O-RING 16x2	1
7.7 BOCCOLA PUNTO SNODO PRINC.	1

### 08 KIT CUSCINETTI PUNTO SNODO PRINC. RISE-OCCAM M

ART. N.: X2150000	QUANT.
8.1 CUSCINETTO 6803	1
8.2 CUSCINETTO 6802	1

# BIELLA

## SMONTAGGIO Del link



### 09 KIT BIELLA SN RISE (non include cuscinetti)

ART. N.: X2070000	QUANT.
9.1 BIELLA SINISTRA RISE	1
9.2 VITE M6x20	1

### 10 KIT BIELLA DS RISE (non include cuscinetti)

ART. N.: X2080000	QUANT.
10.1 BIELLA DESTRA RISE	1
10.2 VITE M6x20	1

### 11 ASSE BIELLA RISE

ART. N.: X2090000	QUANT.
ASSE BIELLA RISE	1

### 12 KIT PEZZI BIELLA RISE (entrambi i lati)

ART. N.: X2100000	QUANT.
12.1 VITE BIELLA-FODERO OBLIQUO	2
12.2 RONDEL link-FODERO OBLIQUO	4
12.3 VITE BIELLA-PROLUNGA AMMORT.	2
12.4 RONDEL link-PROLUNGA AMMORT.	2

### 13 KIT CUSCINETTI BIELLA OCCAM-RISE

ART. N.: X2110000	QUANT.
13.1 CUSCIN. BIELLA-FODERO OBLIQUO 6800	4
13.2 CUSCIN. BIELLA/PROLUNG. AMMORT. 6802	2
13.3 CUSCIN. BIELLA-TELAIO 6804	2

### 14 PROLUNGA AMMORTIZZATORE RISE

ART. N.: X2120000	QUANT.
PROLUNGA AMMORTIZZATORE RISE	1

## ASSEMBLAGGIO DEL LINK

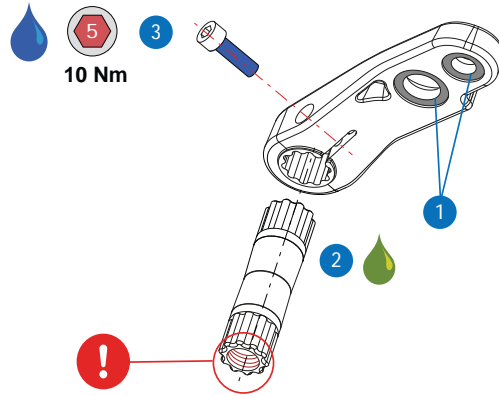
1. Se necessario, prima di installare il link, sostituire o installare i cuscinetti del link sinistra e destra.

2. Installare il link sinistra nell'estremità dell'asse che non presenta filettatura all'interno, applicando una piccola quantità di composto di ritenuta di pezzi cilindrici.

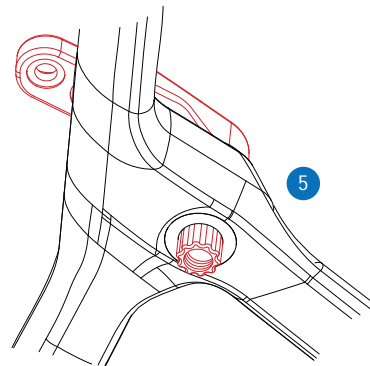
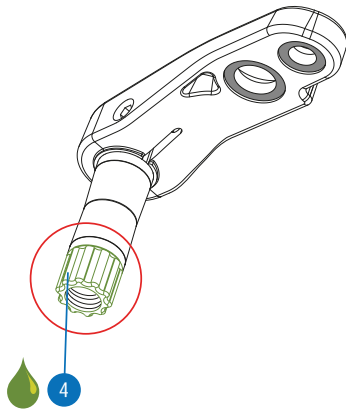
**L'estremità dell'asse con filettatura interna deve rimanere sul lato destro della Rise.**

3. Installare la vite di fissaggio del link sinistra applicando una piccola quantità di fissa viti di media resistenza e applicare la coppia di serraggio consigliata.

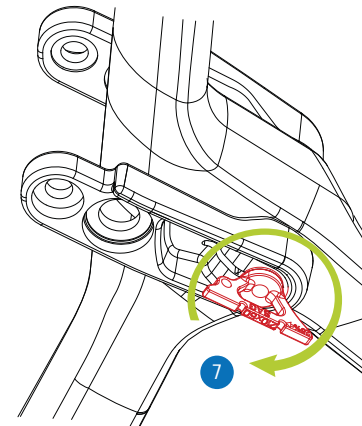
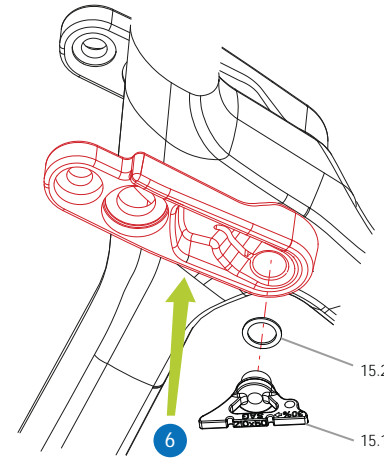
4. Applicare una piccola quantità di composto di ritenuta di pezzi cilindrici nell'asse.



5. Installati i cuscinetti del telaio, introdurre il gruppo del link sinistra e l'asse nel telaio. Assicurarsi che il link sia completamente installata contro il telaio e che l'asse non sia visibile tra il link e il telaio.



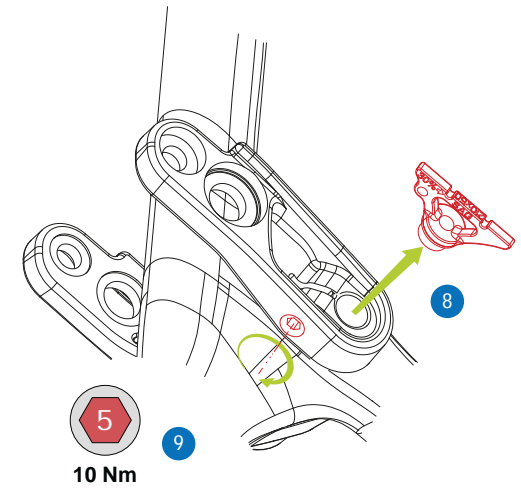
6/7. Installare il link destra. Avvitare lo strumento di precarica all'interno dell'asse e ruotare lo strumento fino a che il link destra rimanga correttamente installata contro il telaio e l'asse non sia visibile tra il telaio e il link.





8. Togliere lo strumento e la rondella di precarica.

9. Applicare una piccola quantità di fissa viti di media resistenza nella vite del link. Installare la vite seguendo l'indicazione della coppia di serraggio consigliata.

10. Controllare che il link non faccia gioco laterale.

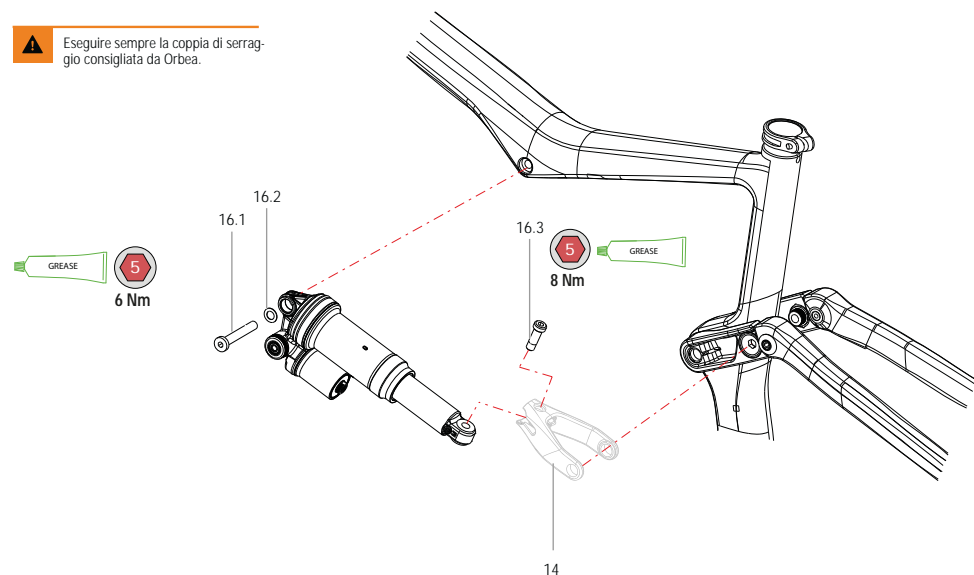


### 15 STRUMENTO DI PRECARICA BIELLA OCCAM-RISE

ART. N.: X9020000	QUANT.
 15.1 STRUMENTO DI PRECARICA BIELLA-SAG	1
 15.2 RONDELLA PRECARICA	1

## ASSEMBLAGGIO DELL'AMMORTIZZATORE

⚠ Eseguire sempre la coppia di serraggio consigliata da Orbea.



### 14 PROLUNGA AMMORTIZZATORE RISE

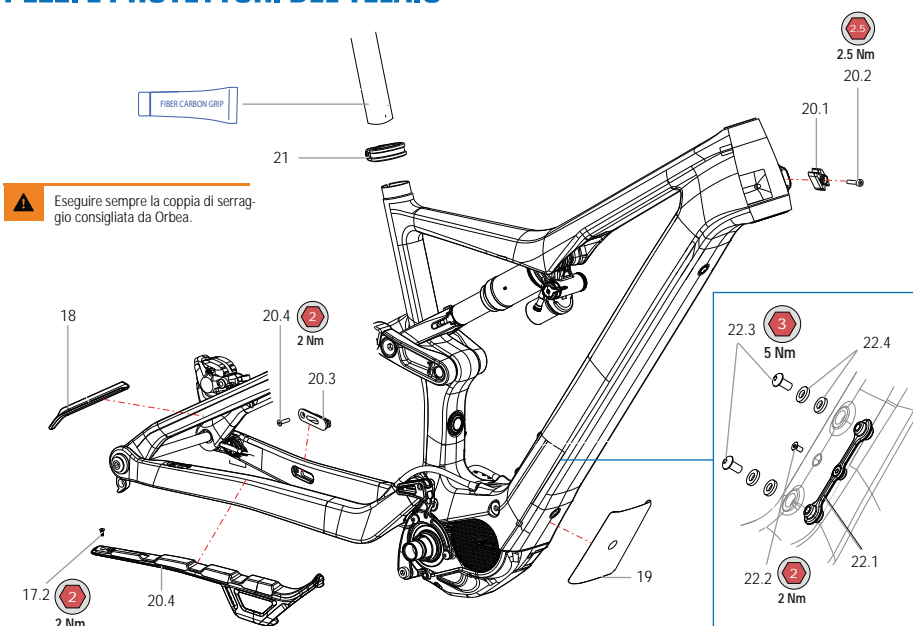
ART. N.: X2120000	QUANT.
PROLUNGA AMMORTIZZATORE RISE	1

### 16 KIT BLOCCAGGIO AMMORTIZZATORE RISE

ART. N.: X2130000	QUANT.
16.1 VITE AMMORT-TELAIO	1
16.2 RONDELLA AMMORT-TELAIO	1
16.3 VITE AMMORT-PROLUNGA	1

## PEZZI E PROTETTORI DEL TELAIO

⚠ Eseguire sempre la coppia di serraggio consigliata da Orbea.



### 17 PROTETTORE GOMMA BASE DS RISE

ART. N.: X2160000	QUANT.
17.1 PROTETTORE GOMMA BASE RISE	1
17.2 VITE M3x12 A TESTA SVASATA	1

### 18 PROTETTORE ADESIVO GOMMA FODERO OBLIQUO

ART. N.: X2170000	QUANT.
PROTETTORE ADESIVO GOMMA FODERO OBLIQUO	1

### 19 PROTETTORE ADESIVO TRASPARENTE TUBO OBLIQUO

ART. N.: X2190000	QUANT.
PROTETTORE ADESIVO TRASPARENTE TUBO OBLIQUO	1

### 20 KIT GUIDA CAVI CAMBIO-FRENO RISE

ART. N.: X2190000	QUANT.
20.1 GUIDA CAVI CANNOTTO DI STERZO	1
20.2 VITE M3x15	1
20.3 GUIDA CAVI FRENO BASE	1
20.4 VITE M3x12 A TESTA SVASATA	1
20.5 FLANGIA 2,5x100	1

### 21 GHIERA SELLA 34,9 mm NERA

ART. N.: X2020000	QUANT.
GHIERA SELLA 34,9 mm NERA	1

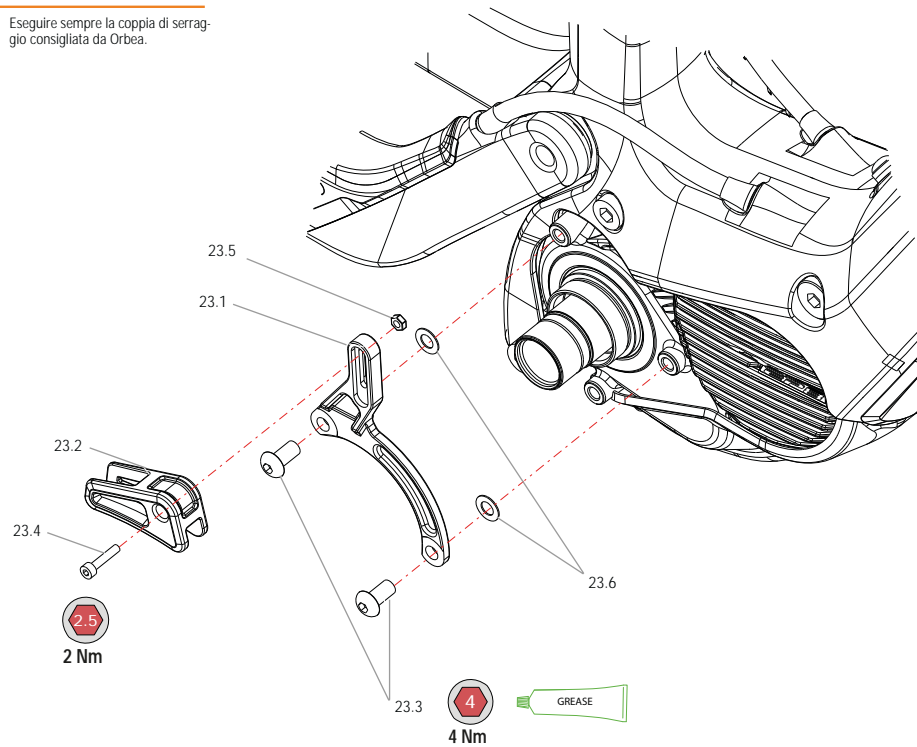
### 22 KIT PIASTRA INTERNA PORTABORRACCIA RISE

ART. N.: X2270000	QUANT.
22.1 PIASTRA INTERNA BLOCCAGGIO PORTABORRACCIA	1
22.2 VITE M3x8 DIN7991 BLOCCAGGIO TELAIO	1
22.3 VITE PORTABORRACCIA M5x10	2
22.4 RONDELLA 6,2x10x2	4

**AVVISO** Utilizzare sempre le rondelle originali per l'installazione del portaborraccia standard o del Range Extender.

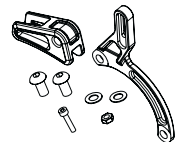
## GUIDA DELLA CATENA

**⚠** Eseguire sempre la coppia di serraggio consigliata da Orbea.



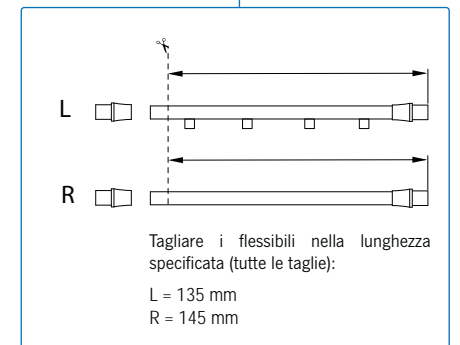
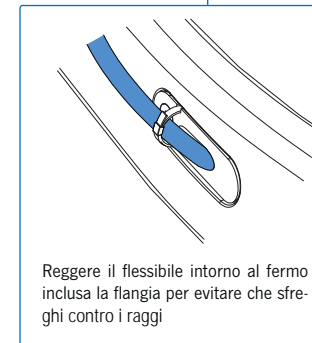
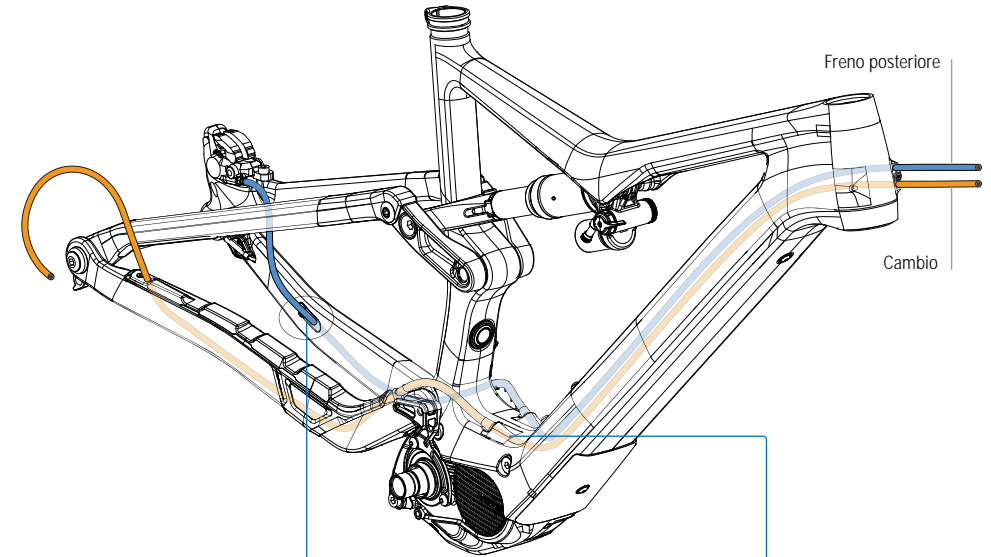
### 23 KIT GUIDA DELLA CATENA RISE

ART. N.: X2210000



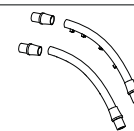
	QUANT.
23.1 SUPPORTO GUIDA DELLA CATENA RISE	1
23.2 GUIDA DELLA CATENA	1
23.3 VITE BLOCCAGGIO MOTORE EP8	2
23.4 VITE M3x15	1
23.5 DADO M3 FISSAGGIO GUIDA DELLA CATENA	1
23.6 RONDELLA M6	2

## CABLAGGIO DI CAMBIO E FRENO POSTERIORE



### 24 KIT FLESSIBILI TRIANGOLO-FODERO ORIZZONTALE RISE

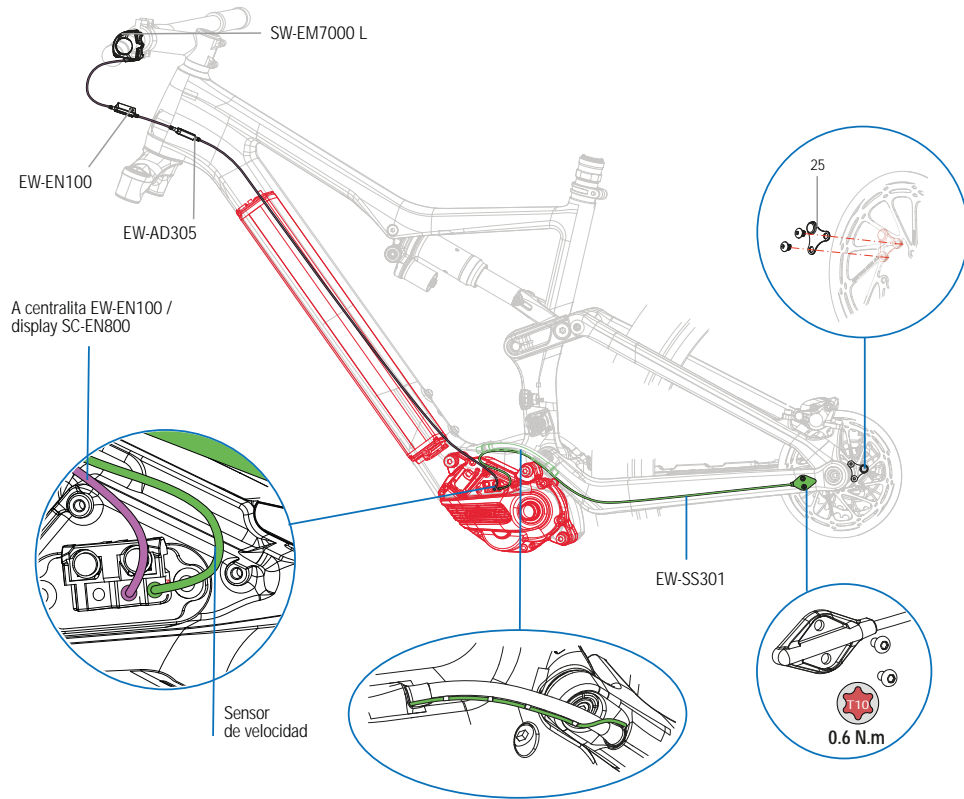
ART. N.: X2020000



	QUANT.
FLESSIBILE FS (MISURA UNICA)	1
FLESSIBILE FS CLIP SENSORE (MISURA UNICA)	1
FERMO FLESSIBILI FS	2

## CABLAGGIO DI COMPONENTI DEL SISTEMA SHIMANO EP8

### ASSEMBLAGGI CON CENTRALINA EW-EN100 (SENZA DISPLAY)



#### 25 MAGNETE SENSORE VELOCITÀ DISCO 6 BOLT

ART. N.: X2400000

MAGNETE SENSORE VELOCITÀ DISCO 6 BOLT

QUANT.

1



AVVISO



L'installazione di componenti del sistema di assistenza elettrica richiede conoscenze avanzate che vanno oltre le conoscenze della maggior parte degli utenti. Rivolgersi sempre a un rivenditore ufficiale per la diagnosi, riparazione e installazione dei componenti del sistema elettrico della Rise.

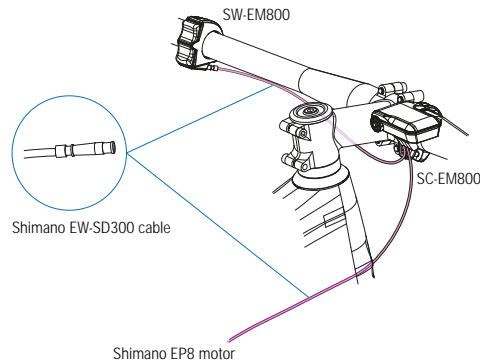
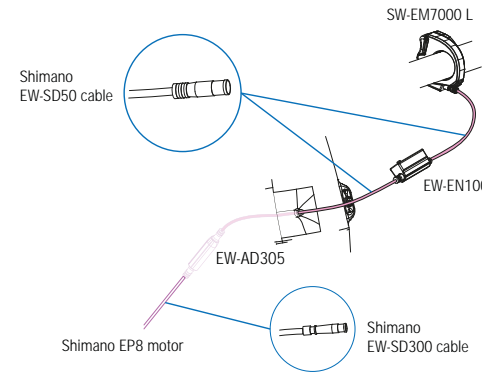
I danni ai componenti derivanti da un'errata installazione possono annullarne la garanzia.

### DIFFERENZE DI CABLAGGIO TRA ASSEMBLAGGI CON CENTRALINA EW-EN100 (SENZA DISPLAY) E ASSEMBLAGGI CON DISPLAY SC-EM800 (OPTIONAL)

Gli assemblaggi con centralina Shimano EW-EN100 usano cavi Shimano STEPS/Di2 standard EW-SD50 per la connessione dalla leva del cambio della modalità di assistenza alla centralina.

Un cavo standard SD50 collega la centralina con un adattatore EW-AD305 all'interno del telaio, che converte il cavo Di2 standard in un cavo di minore spessore SW-SD300 che si collega al motore EP8 RS.

I cavi elettronici EW-SD300 sono lo standard di Shimano per le connessioni in sistemi EP8.



Gli assemblaggi con display SC-EM800 utilizzano il nuovo standard di cavo EW-SD300 per la connessione dalla leva del cambio della modalità di assistenza al display e dal display al remoto, non essendo necessario l'adattatore EW-AD305 all'interno del telaio.

## CONNESSIONE DEL SISTEMA EP8 NELLA RISE A ETUBE PROFESSIONAL MEDIANTE PCE1 / PCE02. INFORMAZIONI PER I RIVENDITORI

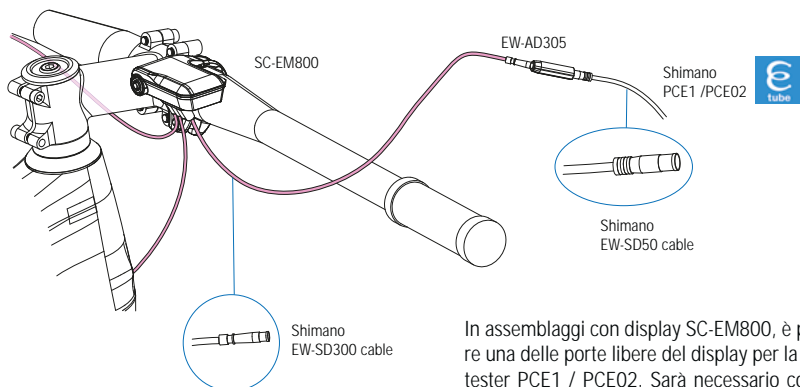
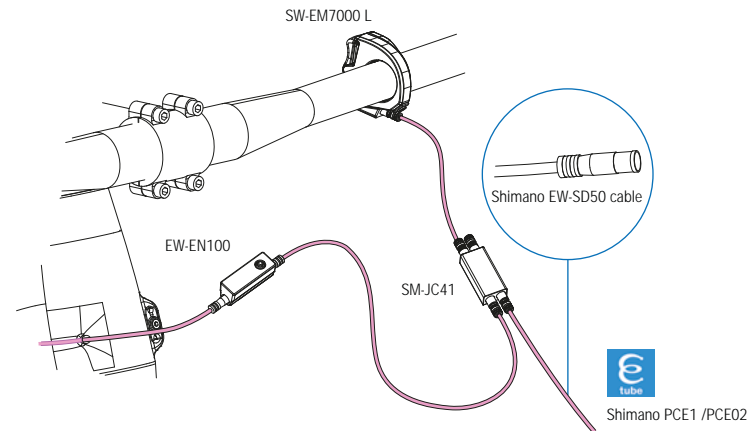
In quanto utente, si può usare l'applicazione mobile Etube Project per collegare la bicicletta, personalizzare il sistema ed effettuare determinate diagnosi.

Per accedere a tutte le informazioni di Shimano EP8 su Etube, aggiornare la versione del software a Etube Project V4:

<https://bike.shimano.com/en-EU/e-tube/project.html>

**AVVISO** Il collegamento e la diagnosi del sistema Shimano STEPS a Etube Professional devono essere effettuati da un rivenditore autorizzato.

Per il collegamento dell'assemblaggio con la centralina EW-EN100, sarà necessario l'uso di una centralina SM-JC41 e di un cavo SD50 aggiuntivo per ottenere una porta libera per la connessione al computer con un cavo standard SD50.



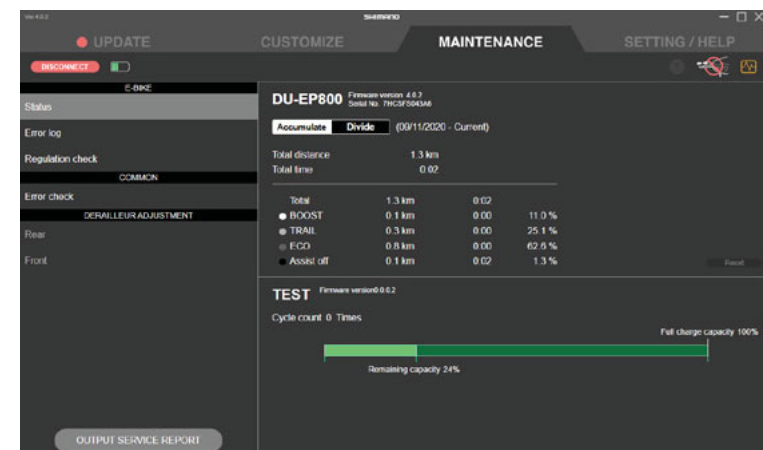
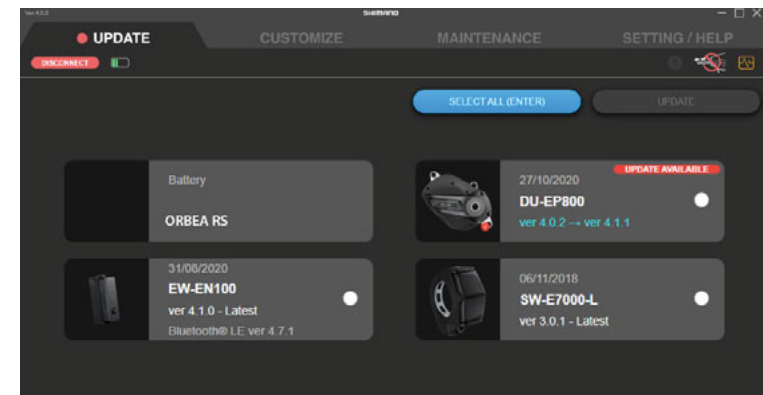
In assemblaggi con display SC-EM800, è possibile utilizzare una delle porte libere del display per la connessione del tester PCE1 / PCE02. Sarà necessario collegare un cavo SD300 al display e utilizzare un adattatore EW-AD305 per convertire questo cavo SD300 al cavo standard SD50 per collegarlo al tester.

## BATTERIA ORBEA RS IN ETUBE PROFESSIONAL

La batteria Orbea RS è visibile come parte del sistema Shimano EP8 RS quando si collega il sistema a Etube Professional utilizzando i tester di Shimano PCE1 o PCE02.

Con il tester PCE02, si può accedere alle informazioni importanti sulla batteria nella scheda Manutenzione, nonché alla versione del firmware e ai cicli di carica.

**AVVISO** Leggere la sezione Informazioni importanti sulle batterie RS per saperne di più sulla manutenzione e diagnosi delle batterie RS.



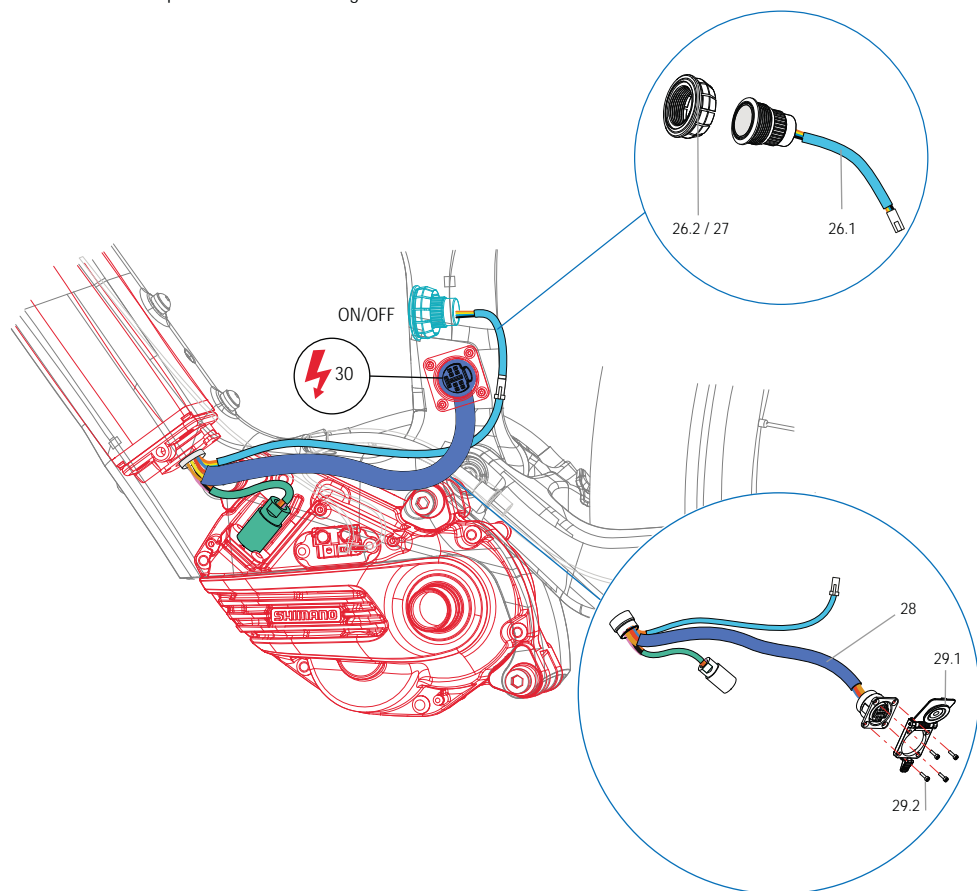
## CABLAGGIO DI COMPONENTI ORBEA RS

**AVVISO**


L'installazione di componenti del sistema di assistenza elettrica richiede conoscenze avanzate che vanno oltre le conoscenze della maggior parte degli utenti. Rivolgersi sempre a un rivenditore ufficiale per la diagnosi, riparazione e installazione dei componenti del sistema elettrico della Rise.

I danni ai componenti derivanti da un'errata installazione possono annullarne la garanzia.

Rise utilizza componenti esclusivi di Orbea per la connessione della batteria interna RS al motore. Il caricabatteria e la porta di ricarica sono anch'essi esclusivi del sistema RS.



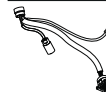
### 26 TASTO ACCENSIONE RISE

ART. N.: X2360000	QUANT.
26.1 PULSANTE ACCENSIONE+CAVO	1
26.2 SUPPORTO CLIP PULSANTE ACCENSIONE TUBO SELLA	1



### 28 PORTA DI RICARICA+CAVO HARNESS RS

ART. N.: X2380000	QUANT.
Il cavo Harness include in un'unità la porta di ricarica, la connessione al motore, alla batteria e al pulsante di accensione.	1



### 30 CARICABATTERIA RS 36V 2A

X2320000	CARICABATTERIA RS 36V 2A (EU)
X2320100	CARICABATTERIA RS 36V 2A (USA)
X2320200	CARICABATTERIA RS 36V 2A (UK)
X2320300	CARICABATTERIA RS 36V 2A (AUS)

Ogni codice include il caricabatteria RS insieme al cavo di corrente specifico



## SOSTITUZIONE DI COMPONENTI

### SOSTITUZIONE DEL PULSANTE DI ACCENSIONE

È possibile sostituire il pulsante di accensione della Rise senza smontare il motore EP8 RS. Utilizzare un cacciavite piatto fine per staccare il supporto clip dal tubo della sella, facendo attenzione a non danneggiare la vernice.

Tirare piano il cavo e scollegare il cavo dal pulsante di accensione del cavo Harness. Installare un nuovo pulsante e premere il supporto clip saldamente al tubo della sella.

### SOSTITUZIONE DEL CAVO HARNESS

Per la sostituzione del cavo Harness, che comprende la porta di ricarica e i cavi di collegamento alla batteria interna RS, al motore e al pulsante di accensione, è necessario smontare il motore.

Dopo aver smontato il motore, scollegare il cavo dalla batteria, il motore e il pulsante di accensione e togliere il cavo Harness dal foro della porta di ricarica.

L'installazione di un nuovo cavo Harness deve effettuarsi introducendo il cavo attraverso il foro per la porta di ricarica con le estremità di collegamento alla batteria, motore e pulsante di accensione in primo luogo.

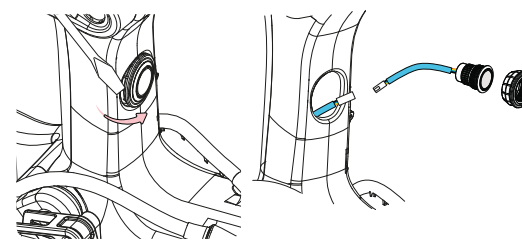
### 27 SUPPORTO CLIP PULSANTE ACCENSIONE RISE

ART. N.: X2370000	QUANT.
SUPPORTO CLIP PULSANTE ACCENSIONE TUBO SELLA	1



### 29 TAPPO PORTA DI RICARICA RISE

ART. N.: X2390000	QUANT.
29.1 TAPPO PORTA DI RICARICA RISE	1
29.2 VITE M2x8	4


**AVVISO**

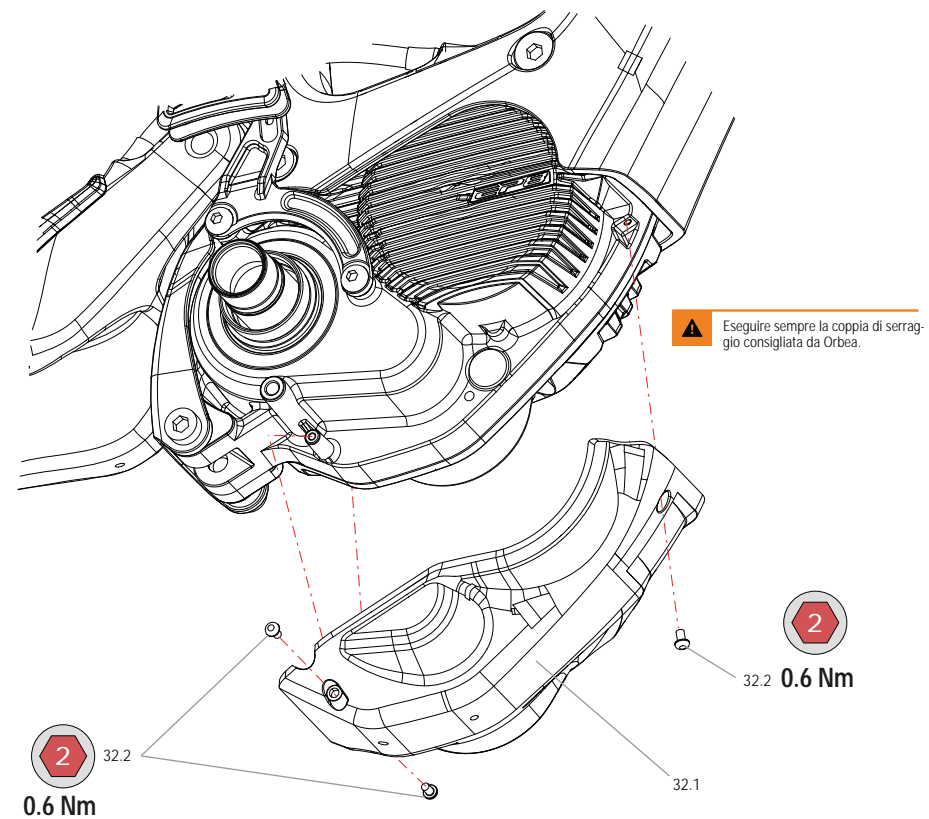
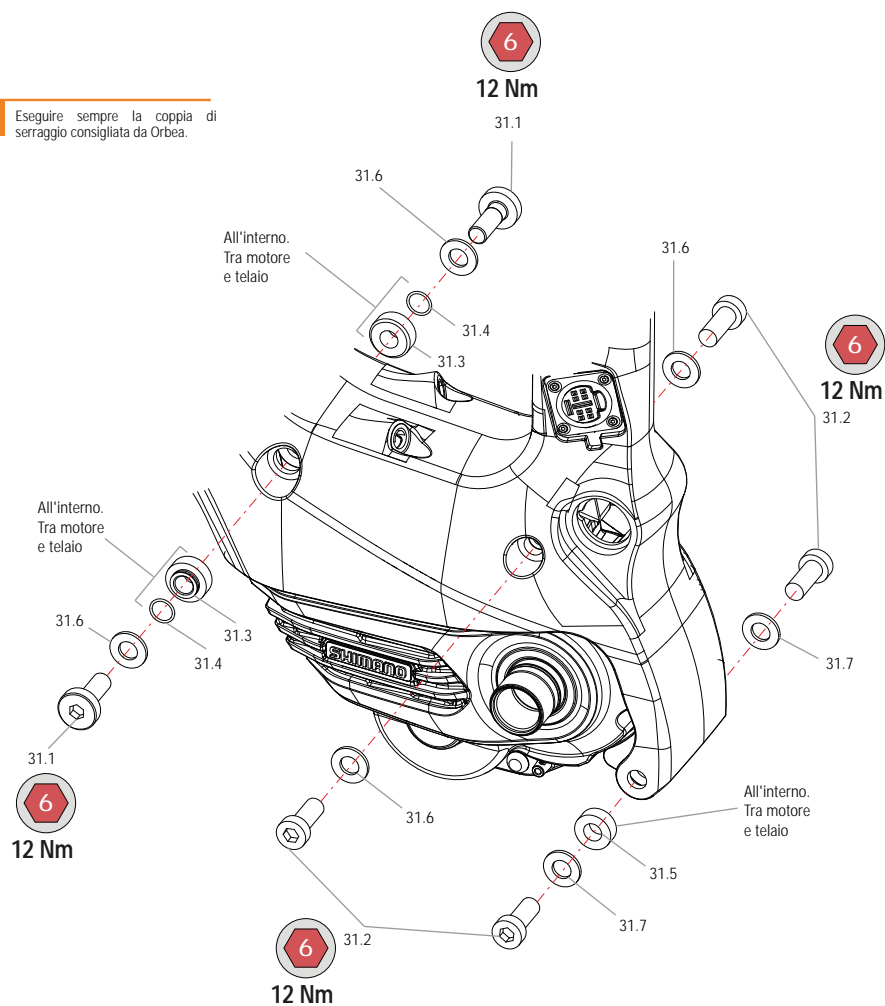

L'installazione di componenti del sistema di assistenza elettrica richiede conoscenze avanzate che vanno oltre le conoscenze della maggior parte degli utenti.

Rivolgersi sempre a un rivenditore ufficiale per la diagnosi, riparazione e installazione dei componenti del sistema elettrico della Rise.

I danni ai componenti derivanti da un'errata installazione possono annullarne la garanzia.

## FISSAGGIO DEL MOTORE EP8 RS

**⚠** Eseguire sempre la coppia di serraggio consigliata da Orbea.



### 31 KIT BLOCCAGGIO MOTORE EP8 RS RISE

ART. N.: X2310000		QUANT.
	31.1 VITE BLOCCAGGIO MOTORE M8x22 12 Nm	2
	31.2 VITE BLOCCAGGIO MOTORE M8 FILETTO 1,25 12 Nm	4
	31.3 DISTANZIALE ANTERIORE BLOCCAGGIO MOTORE	2
	31.4 O-RING 10x1	2
	31.5 DISTANZIALE POSTERIORE BLOCCAGGIO MOTORE	1
	31.6 RONDELLA 13 mm	4
	31.7 RONDELLA M8 DIN 125 DS	2

### 32 PROTETTORE MOTORE EP8

ART. N.: X2300000		QUANT.
	32.1 PROTETTORE INFERIORE MOTORE EP8	1
	32.2 VITE FISSAGGIO PROTETTORE	3



## BATTERIA INTERNA RS

**AVVISO** Consultare i consigli di manutenzione, uso, carica e stoccaggio delle batterie RS nelle sezioni Manutenzione e Avvertenze d'uso del sistema di assistenza elettrica di questo manuale.

Consultare inoltre il processo di carica, accensione e verifica del livello delle batterie nella sezione Uso della Rise di questo manuale.

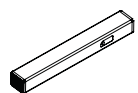
Consultare la sezione Informazioni importanti sulle batterie RS per avere accesso a ulteriori informazioni utili sull'uso, manutenzione e risoluzione di problemi della batteria interna e del Range Extender.

### SPECIFICHE TECNICHE DELLA BATTERIA INTERNA RS

TENSIONE	36 V
CAPACITÀ	360 Wh
PESO	2,2 Kg
CELLE	IONI DI LITIO. 21700
TEMPO DI RICARICA (2 A)	5 ORE
ASSEMBLAGGIO	INTERNO. IN TUBO OBLIQUO
COLLEGAMENTO	CAVO HARNESS A MOTORE, PORTA DI RICARICA E PULSANTE DI ACCENSIONE

#### 33 BATTERIA INTERNA ORBEA RS 360 Wh 36 V

ART. N.: X2220000	QUANT.
-------------------	--------



La batteria interna RS della Rise è disponibile attraverso un rivenditore autorizzato come articolo di sostituzione per deterioramento naturale o garanzia.

1

#### 34 KIT SUPPORTI BATTERIA INTERNA RISE

ART. N.: X2280000	QUANT.
-------------------	--------

34.1	SUPPORTO ALLUMINIO BATTERIA INTERNA AL TELAIO	2
34.2	VITE FISSAGGIO SUPPORTO ALLA BATTERIA M6x12	6
34.3	VITE FISSAGGIO SUPPORTO AL TELAIO M6x12	2
34.4	RONDELLA 6x11x0,5	2

#### 35 VITI FISSAGGIO BATTERIA INTERNA RISE

ART. N.: X2470000	QUANT.
-------------------	--------



35.1	VITE FISSAGGIO SUPPORTO AL TELAIO M6x12	2
35.2	RONDELLA 6x11x0,5	2

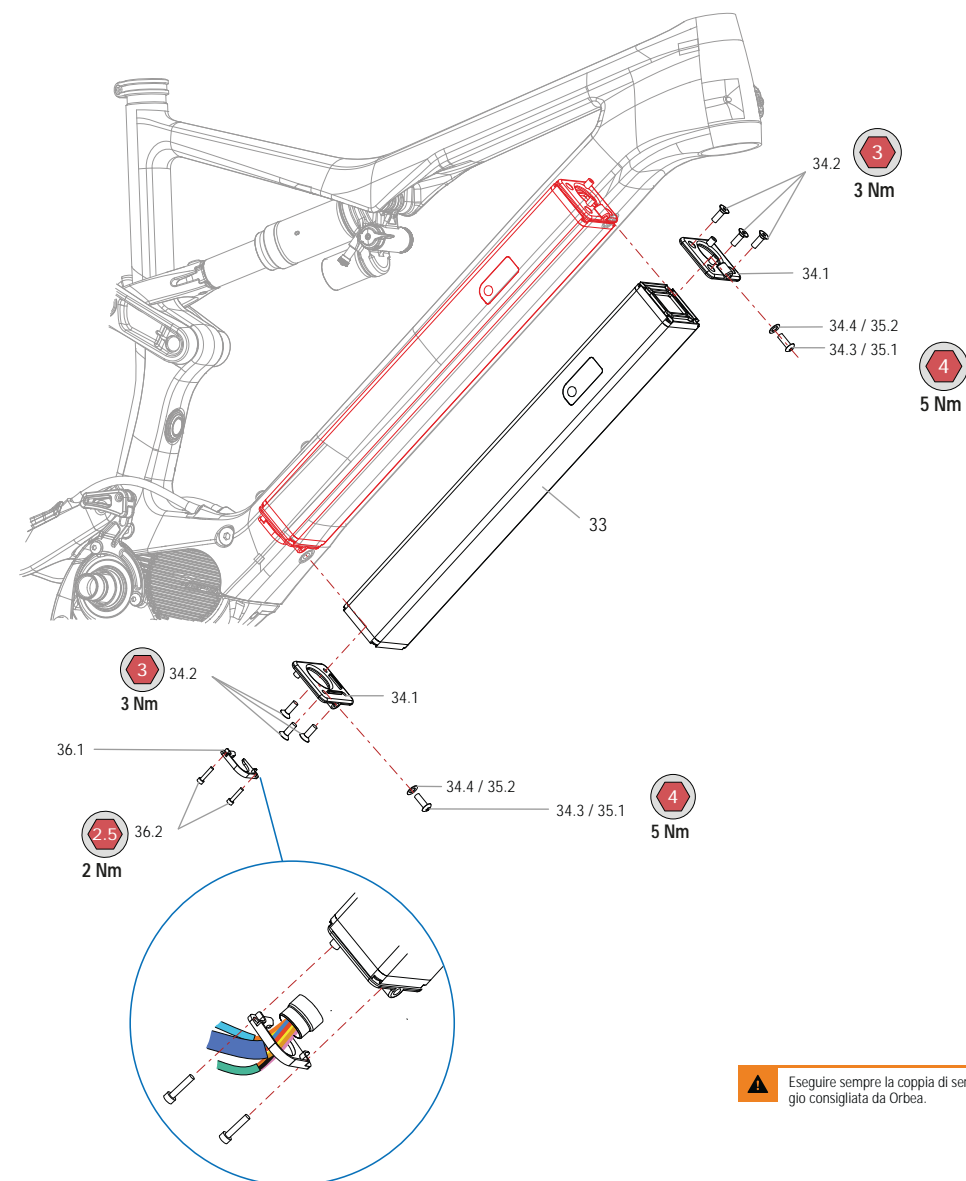
#### 36 PIASTRA BLOCCAGGIO CAVO BATTERIA RISE

ART. N.: X2290000	QUANT.
-------------------	--------



36.1	PIASTRA PLASTICA CAVO BATTERIA	1
36.2	VITI FISSAGGIO	2

### FISSAGGIO DELLA BATTERIA INTERNA RS AL TELAIO



**⚠** Eseguire sempre la coppia di serraggio consigliata da Orbea.

## SMONTAGGIO DELLA BATTERIA INTERNA RS. INFORMAZIONI PER I RIVENDITORI

AVVISO



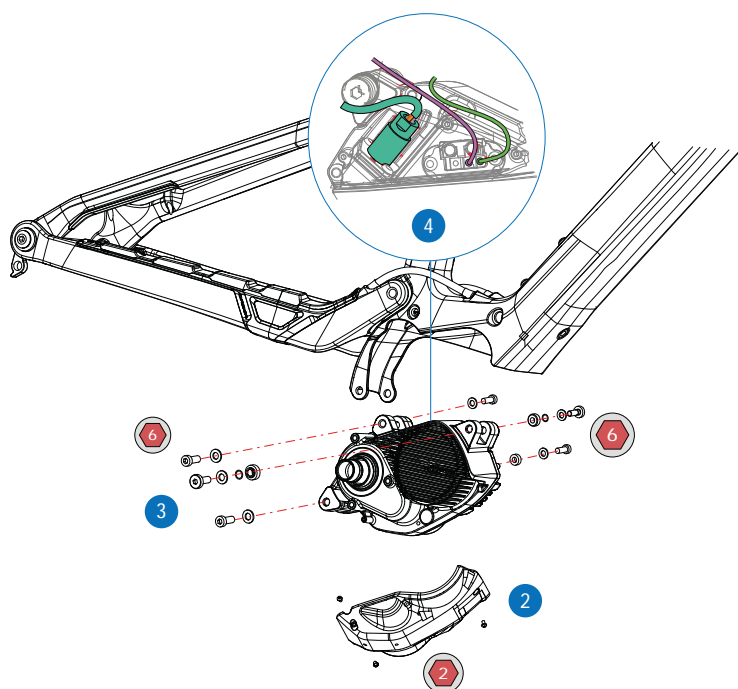
L'installazione di componenti del sistema di assistenza elettrica richiede conoscenze avanzate che vanno oltre le conoscenze della maggior parte degli utenti.

Rivolgersi sempre a un rivenditore ufficiale per la diagnosi, riparazione e installazione dei componenti del sistema elettrico della Rise.

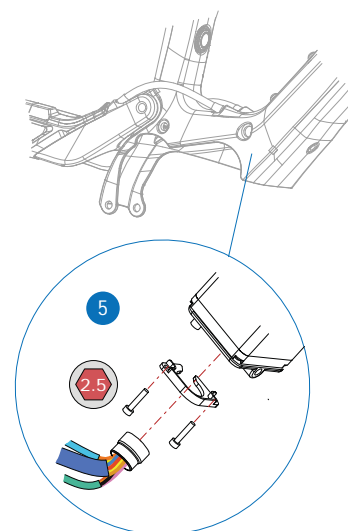
I danni ai componenti derivanti da un'errata installazione possono annullarne la garanzia.

Orbea consiglia di far sostituire la batteria interna solo da un rivenditore autorizzato Orbea, poiché è necessario smontare i componenti principali della bicicletta e il sistema elettrico. Se si deve viaggiare con la bicicletta ed è necessario smontare la batteria, portare sempre la bicicletta presso un rivenditore Orbea per evitare danni ai materiali e assicurare il funzionamento corretto e sicuro di tutti i componenti.

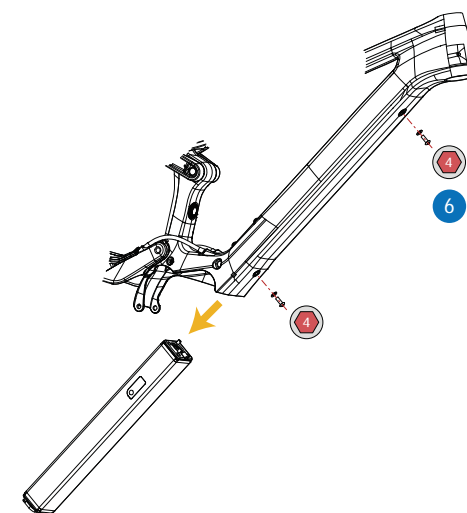
1. Smontare i link e la corona del motore EP8 RS.
2. Togliere il protettore del motore.
3. Togliere tutte le viti, rondelle e distanziali di fissaggio del motore al telaio.
4. Reggere il motore per evitare strattoni ai cavi e scollegare il cavo di alimentazione del motore e i cavi del sensore di velocità e del display.



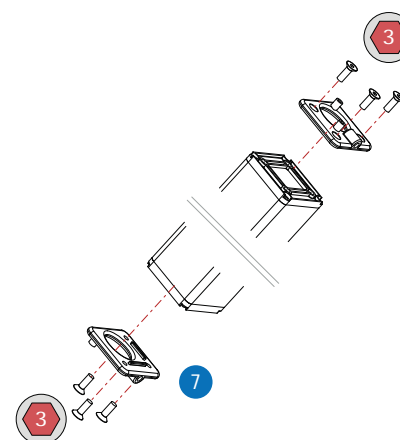
5. Con la batteria interna ancora dentro al telaio, togliere la piastra di fissaggio del cavo della batteria e scollegare il cavo.



6. Togliere le viti di fissaggio della batteria al tubo obliquo e tirare delicatamente la batteria per evitare danni ai cavi all'interno del tubo obliquo.
7. Se si deve sostituire la batteria, togliere le piastre di fissaggio dalla batteria al tubo obliquo.



8. Per installare una nuova batteria, effettuare il processo inverso. È possibile consultare l'ordine di assemblaggio dei vari componenti e delle coppie di serraggio consigliate nelle sezioni di smontaggio di questo manuale.



## BATTERIA ESTERNA ORBEA RANGE EXTENDER

La batteria esterna Orbea Range Extender RS si collega al sistema di assistenza per fornirgli 252 Wh di capacità extra, aumentando la capacità totale della Rise, insieme alla batteria interna, a 612 Wh. Così, la batteria Range Extender aumenterà l'autonomia ottenuta con la batteria interna di un 70%.

### SPECIFICHE TECNICHE DEL RANGE EXTENDER

TENSIONE	36 V
CAPACITÀ	252 Wh
PESO	1,4 kg
CELLE	IONI DI LITIO. 18650
TEMPO DI RICARICA (2 A)	3,5 ORE
ASSEMBLAGGIO	PORTABORRACCIA SPECIFICO SU TUBO OBLIQUO
COLLEGAMENTO	CAVO RANGE EXTENDER ALLA PORTA DI RICARICA DELLA RISE

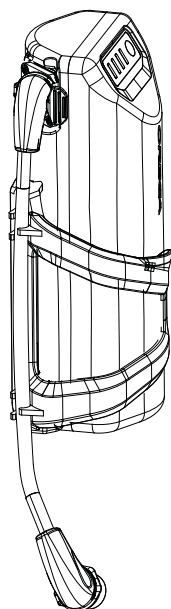
### ASSEMBLAGGIO DEL RANGE EXTENDER

Installare il portaborraccia specifico del Range Extender sul tubo obliquo della Rise installando le viti di fissaggio con una coppia di serraggio di 5 Nm.

Quando si installa il portaborraccia del Range Extender, togliere le quattro rondelle premontate sul telaio e verificare che, una volta installato, i sei punti di contatto del portaborraccia poggino correttamente sul tubo obliquo.

Installare la batteria Range Extender sul portaborraccia e fissarla con l'elastico di sicurezza.

Il supporto del Range Extender è compatibile con l'uso di borracce standard quando il Range Extender non è montato sulla bicicletta.



### COLLEGAMENTO DEL RANGE EXTENDER ALLA RISE

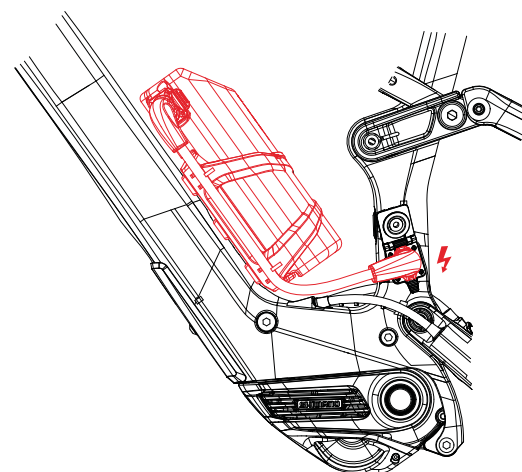
Collegare il cavo di collegamento del Range Extender alla porta di ricarica del Range Extender. Aprire il tappo della porta di ricarica della Rise e collegare l'altra estremità del cavo alla porta di ricarica.

#### AVVISO

Se la Rise è accesa quando si collega il Range Extender alla porta di ricarica della bicicletta, il sistema elettrico si spegnerà e si dovrà riaccendere la Rise. Questo comportamento è dovuto al fatto che il sistema deve essere riavviato per riconoscere la batteria Range Extender come parte del sistema di alimentazione.

Se si stava registrando un'attività con Garmin Connect utilizzando l'applicazione Orbea RS Toolbox, ciò non avrà alcun effetto sulla registrazione dei dati della Rise su Garmin Connect. I dati dell'attività continueranno a registrarsi quando si inizia a utilizzare nuovamente la Rise.

Una volta che si accende la bicicletta con il Range Extender collegato, il Range Extender sarà operativo. Non è necessario accendere il Range Extender.



### FUNZIONAMENTO DEL RANGE EXTENDER

Il Range Extender alimenta il motore Shimano EP8 RS direttamente. Quando si usa la Rise con il Range Extender collegato, solo il Range Extender fornirà corrente elettrica al motore fino a esaurire la carica. Quando il Range Extender si esaurisce, la batteria interna fornirà corrente al motore se è ancora carica.

## VISUALIZZAZIONE DEL LIVELLO DI CARICA

### LIVELLO DI CARICA COMPLESSIVO

Con il Range Extender collegato alla Rise (con la Rise accesa dopo aver collegato il Range Extender), il sistema calcolerà la capacità totale di entrambe le batterie (612 Wh) e l'informazione sulla carica rimanente del sistema sarà data dalla somma dei livelli di carica di entrambe le batterie.

Il livello di carica complessivo sarà visibile dalla centralina EW-EN100, dal display SC-EN800 o dal campo dati Orbea RS Toolbox per dispositivi Garmin compatibili.

Consultare la sezione Visualizzazione del livello di carica delle batterie nella sezione Uso della Rise di questo manuale per conoscere nel dettaglio le varie modalità di visualizzazione del livello di ricarica delle batterie nella Rise.

### ESEMPI:

BATTERIA	LIVELLO DI CARICA DELLA BATTERIA	LIVELLO DI CARICA DEL SISTEMA
Batteria interna RS (360 Wh)	50% (180 Wh)	50% (306 Wh su 612 Wh)
Range Extender (252 Wh)	50% (126 Wh)	

BATTERIA	LIVELLO DI CARICA DELLA BATTERIA	LIVELLO DI CARICA DEL SISTEMA
Batteria interna RS (360 Wh)	100% (360 Wh)	79% (486 Wh su 612 Wh)
Range Extender (252 Wh)	50% (126 Wh)	

### LIVELLO DI CARICA DEL RANGE EXTENDER SEPARATAMENTE

Consultare la sezione Visualizzazione del livello di carica delle batterie della sezione Uso della Rise di questo manuale per conoscere nel dettaglio le varie modalità di visualizzazione del livello di carica delle batterie nella Rise.

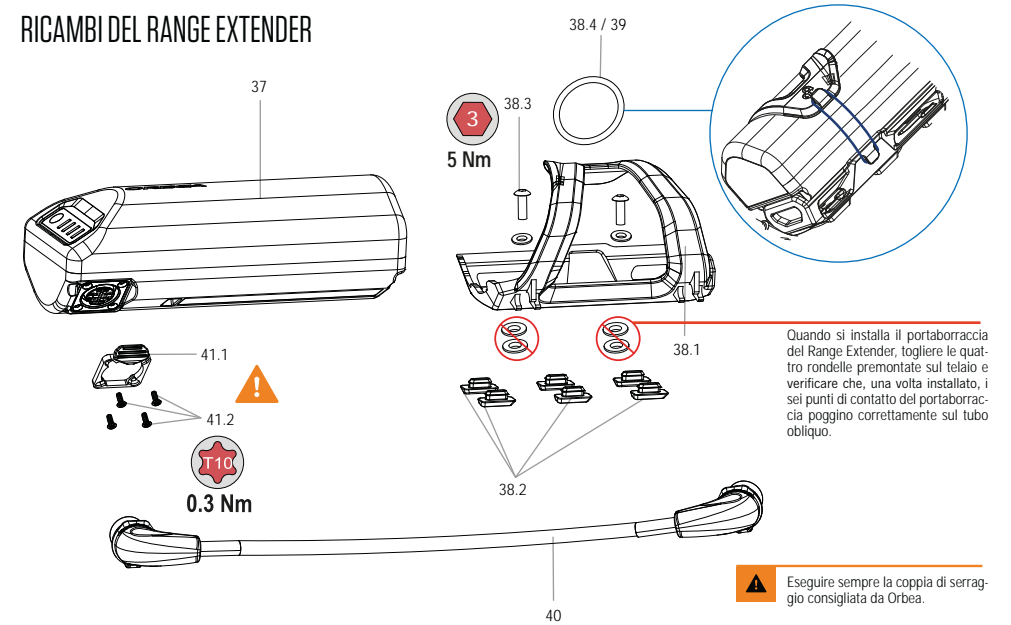
### RICARICA DEL RANGE EXTENDER

Consultare la sezione Ricarica delle batterie nella sezione Uso della Rise di questo manuale per conoscere il metodo di ricarica del Range Extender e della batteria interna.

#### AVVISO

Consultare la sezione Informazioni importanti sulle batterie RS per avere accesso a ulteriori informazioni utili sull'uso, manutenzione e risoluzione di problemi della batteria interna e del Range Extender.

## RICAMBI DEL RANGE EXTENDER

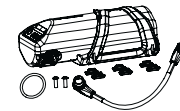


#### AVVISO

Utilizzare sempre le rondelle originali per l'installazione del portaboraccia standard o del Range Extender.

### 37 BATTERIA RS RANGE EXTENDER 252 WH

ART. N.: Y022



Include tutto il necessario per l'installazione della batteria Range Extender sulla Rise.

- Batteria Range Extender 252 Wh
- Chiusura porta di ricarica RE
- Supporto portaboraccia Range Extender
- Protezioni in gomma
- Viti di fissaggio M5x10 al telaio
- Cavo di collegamento alla porta di ricarica
- Gomma di sicurezza

### 38 SUPPORTO RANGE EXTENDER Compatibile con borraccia standard

ART. N.: X2230000

QUANT.



38.1	SUPPORTO RANGE EXTENDER	1
38.2	PROTETTORE TELAIO GOMMA	6
38.3	VITE M5x10	2
38.4	GOMMA SICUREZZA 40x3,5	1

### 39 KIT GOMME SICUREZZA RANGE EXTENDER

ART. N.: X2240000

QUANT.



39.1	GOMMA SICUREZZA 40x3,5	4
------	------------------------	---

### 40 CAVO COLLEGAMENTO RANGE EXTENDER RS

ART. N.: X2250000

QUANT.



	CAVO COLLEGAMENTO RANGE EXTENDER RS	1
--	-------------------------------------	---

### 41 CHIUSURA PORTA DI RICARICA RANGE EXTENDER RS

ART. N.: CONTATTARE ORBEA

QUANT.



41.1	CHIUSURA PORTA DI RICARICA RANGE EXTENDER	1
41.2	VITE M2x8	4



Non disinstallare la porta di ricarica del Range Extender. Si potrebbe danneggiare la batteria e annullare la garanzia. Se si deve sostituire la chiusura della porta di ricarica, contattare Orbea.

## 12 INFORMAZIONI IMPORTANTI SULLE BATTERIE AL LITIO ORBEA RS



Leggere tutto il Manuale d'uso prima di utilizzare le batterie e i caricabatterie Orbea RS per la propria sicurezza.

Contattare Orbea o un rivenditore autorizzato per ottenere informazioni sull'installazione e le regolazioni dei prodotti che non sono riportati sul Manuale d'uso.



Seguire sempre le seguenti istruzioni per evitare lesioni alla propria persona, all'apparecchiatura e all'ambiente.

Le informazioni del seguente manuale sono applicabili sia alla batteria interna che al Range Extender.

### ISTRUZIONI DI SICUREZZA DELLE BATTERIE E AVVERTENZE

- Usare solo il caricabatteria specifico RS e seguire le condizioni di ricarica specificate quando si ricarica la batteria. In caso contrario, potrebbe verificarsi surriscaldamento, esplosione o combustione della batteria.
- Non lasciare la batteria vicino a fonti di calore come scaldabagno, veicoli o qualsiasi posto pericoloso.
- Non riscaldare la batteria o infiammarla.
- Non deformare, modificare, smontare o saldare direttamente sulla batteria.
- Non collegare i terminali (+) e (-) e altri terminali con oggetti metallici. Non trasportare o conservare la batteria insieme ad oggetti metallici come manicotti o forcelle. Ciò potrebbe comportare cortocircuiti, surriscaldamento, bruciature o altre lesioni.
- Non immergere la batteria in acqua e non bagnare i terminali della batteria. In caso contrario, potrebbe verificarsi surriscaldamento, esplosione o combustione della batteria.

- Non perforare o schiacciare la batteria.
- Se si verificano perdite dalla batteria e il liquido entra in contatto con gli occhi, la pelle o gli indumenti, lavare immediatamente le zone colpite con abbondante acqua pulita e rivolgersi subito a un medico. Il liquido della batteria può danneggiare gli occhi e la pelle.
- Se la batteria non si carica completamente nel tempo di carica previsto di 5 ore più altre 2 ore (3,5 ore + 2 ore per il Range Extender), scollegare la batteria dal carica-batteria e contattare un rivenditore autorizzato immediatamente.
- Non usare la batteria se presenta danni esterni.
- Non usare la batteria se presenta perdite, decolorazione, deformazione o qualsiasi altra anomalia.
- Non caricare la batteria in luoghi bagnati o molto umidi o all'aria aperta.
- Non scollegare o collegare la batteria se la spina è bagnata. In caso contrario, può provocare scariche elettriche. Se esce acqua dalla spina, asciugarla bene prima di collegarla.
- Non tenere la batteria alla luce diretta del sole o in luoghi eccessivamente caldi (per es. dentro un'auto). Tenere lontano da fonti di calore e fiamme. Ciò può provocare perdite dalla batteria.
- Usare entrambe le mani quando si manipola il prodotto per evitare pericoli e lesioni.
- Se si verifica un errore durante la ricarica o la scarica, smettere di usare la batteria immediatamente e consultare il Manuale d'uso. In caso di dubbio, consultare Orbea o un distributore autorizzato.
- Non pulire la batteria con acqua ad alta pressione.
- Non usare alcol, solventi o detergenti abrasivi per pulire la batteria o il caricabatteria. Utilizzare un panno asciutto o leggermente umido.

- I bambini devono essere controllati per evitare che giochino con la batteria e il caricabatteria.
- Se la batteria esplose, chiamare immediatamente i vigili del fuoco e togliere con precauzione le altre batterie, se possibile, evacuare immediatamente tutte le persone dalla zona di incendio e usare abbondante acqua fredda (minimo 10 volte il peso della batteria) per spegnere il fuoco.

### CONDIZIONI PER LO STOCCAGGIO DELLE BATTERIE

- Conservare le batterie in un luogo sicuro fuori dalla portata dei bambini e degli animali da compagnia.
- Se la batteria viene conservata a temperature al di fuori di questo intervallo, si possono verificare incendi o danni alla batteria.
- **Intervallo di temperatura di stoccaggio: 0-35 °C. Evitare eccessive variazioni di temperatura.**
- Se non si usa la batteria per un lungo periodo di tempo, conservarla con circa il 70% della capacità rimanente della batteria. Caricare la batteria ogni 3 mesi per evitare che non si scarichi completamente.
- Conservare la batteria o la bicicletta con la batteria installata in un luogo fresco e chiuso (0-35 °C circa) non esposto alla luce del sole diretta o alla pioggia. Se la temperatura di stoccaggio è bassa o alta, la resa della batteria si riduce e l'autonomia per ricarica potrebbe diminuire. Se non si usa la batteria per un lungo periodo di tempo, assicurarsi di caricarla prima di usarla.
- Temperature superiori a 70° C possono causare perdite e pericolo di incendio.

### CONDIZIONI PER LO STOCCAGGIO DELLE BATTERIE

- Gli intervalli di temperatura di funzionamento della batteria sono specificati di seguito. Non usare la batteria con temperature al di fuori di questi intervalli.

- Se la batteria viene utilizzata a temperature al di fuori di questi intervalli, si possono verificare incendi, lesioni o danni alla batteria.

· **Usare la batteria solo nell'intervallo di temperatura di scarica: -10-50 °C.**

· **Caricare la batteria solo nell'intervallo di temperatura di carica: 0-40 °C.**

- La batteria deve essere caricata a temperatura ambiente, su una superficie asciutta e non infiammabile, lontano da qualsiasi fonte di calore, umidità o materiali infiammabili.

- Se la batteria è stata caricata in un ambiente a bassa temperatura (0 °C o meno), si accorcerà l'autonomia disponibile per carica completa.

- Si si desidera trasportare la batteria, tener conto che viene considerata merce pericolosa soggetta alle norme vigenti. Utilizzare imballaggi e corrieri omologati.

### CONDIZIONI PER L'ASSEMBLAGGIO DELLA BATTERIA

- Non usare la batteria subito dopo aver ricevuto la batteria o la bicicletta. Assicurarsi di caricarla completamente prima del primo uso.
- Spegnere sempre la batteria e/o la bicicletta prima di inserire o togliere la batteria dalla bicicletta.

### CONDIZIONI PER LA CARICA E ISTRUZIONI DI SICUREZZA

- La batteria non è completamente carica al momento dell'acquisto. Prima di usare la bicicletta, assicurarsi di caricare la batteria completamente.

- Usare solo il caricabatteria originale RS per caricare la batteria.

- Spegner sempre la bicicletta e/o la batteria prima di collegare o scollegare il caricabatteria alla porta di ricarica.
- Assicurarsi che la porta di ricarica della bicicletta e le spine siano sempre pulite e asciutte prima di collegare il caricabatteria.

- Non usare mai il caricabatteria se si ritiene che sia danneggiato o se si è rotto.

- Non smontare o modificare il caricabatteria.

- Mantenere sempre il tappo della porta di ricarica chiuso se non si sta caricando la batteria.

- Non introdurre oggetti metallici nella porta di ricarica delle batterie.

- Non permettere che si bagni il caricabatteria e non usarlo quando è bagnato. Non afferrarlo con le mani bagnate per evitare scariche elettriche.

- Non usare il caricabatteria quando è coperto con un panno o un altro materiale.

- Non toccare le parti metalliche delle batterie o del caricabatteria per evitare scariche elettriche.

- Non usare il caricabatteria all'aria aperta o in ambienti con elevata umidità ed evitare l'esposizione alla pioggia e al vento.

- Per evitare danni al cavo, non reggere il caricabatteria dal cavo e non avvolgere il cavo al caricabatteria quando si ripone.

- Non pedalare né effettuare alcun tipo di operazione di scarica della batteria mentre si carica la batteria.

- Togliere sempre il Range Extender prima di lavare la bicicletta con acqua o qualsiasi altro tipo di materiale liquido.

- Attendere un'ora se si desidera caricare la batteria dopo averla usata, poiché la temperatura della batteria potrebbe essere troppo alta.

- È consigliabile caricare la batteria in una zona con rivellatore di fumo.

- Si sconsiglia di tenere la batteria collegata permanentemente al caricabatteria per evitare danni alla batteria in caso di cattivo funzionamento dei circuiti di interruzione di carica.

## RICICLAGGIO

- Per un riciclaggio ecoresponsabile, si devono differenziare le batterie, gli accessori e gli imballaggi.

- Le batterie agli ioni di litio sono risorse riciclabili e preziose. Per ottenere informazioni sulle batterie usate, seguire le norme della propria zona. In caso di dubbio, consultare Orbea o un rivenditore autorizzato.

- Non smaltire la batteria come rifiuto domestico. Verrà accettata nel punto vendita e debitamente smaltita.

## CONDIZIONI DI ANNULLAMENTO DELLA GARANZIA

- Caricare la batteria almeno ogni 3 mesi fino a circa il 70% della sua capacità, anche quando la bicicletta non viene usata.

- La garanzia non copre i prodotti dall'usura naturale e dal deterioramento per il normale uso e l'invecchiamento.

- La vita utile della batteria varia in base a fattori come il metodo di stoccaggio, le condizioni d'uso, l'ambiente e le caratteristiche di ogni batteria.

- Se la batteria si è esaurita completamente, caricarla il prima possibile. Se la batteria non viene caricata, può danneggiarsi e diventare inutilizzabile.

- Non smontare la batteria o altre parti annesse; ciò può comportare la perdita della garanzia della batteria.

- Consultare la sezione Garanzia del presente manuale per ulteriori dettagli sulla garanzia dei prodotti Orbea e il processo di reclami in garanzia.

## DETTAGLIO DEGLI INDICATORI DI CARICA LED DELLA BATTERIA

- Se una batteria accesa non viene usata per 2 ore, la batteria si spegnerà automaticamente.

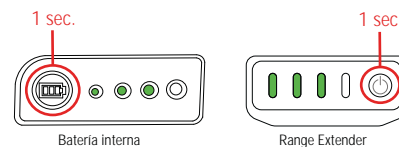
### INDICAZIONE DELLA CAPACITÀ DELLA BATTERIA

### LIVELLO DI CARICA

### LED

#### 1. Durante l'uso o quando la batteria non si carica.

Tenere premuto il pulsante principale della batteria per 1 secondo. I LED si accenderanno per indicare il livello di carica della batteria in incrementi del 25%.



75% ~ 100%



50% ~ 74%



25% ~ 49%



5% ~ 24%



0% ~ 4%



#### 2. Durante la carica.

100%  
(Quando la batteria è completamente carica, la luce del LED si spegne dopo 5 secondi.)

100%



75% ~ 99%



50% ~ 74%



25% ~ 49%



0% ~ 24%



LED acceso



LED lampeggia a 2 Hz







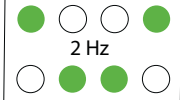

LED lampeggia a 1 Hz



LED spento

## CODICI D'ERRORE DELLE BATTERIE E AZIONI DA SEGUIRE

- Se premendo il pulsante principale della batteria non si accendono gli indicatori LED, il circuito di protezione sta funzionando. Per liberare il circuito di protezione, caricare la batteria collegando il caricabatteria originale RS.
- Se la luce del LED inizia a lampeggiare come mostrato nella seguente tabella quando si preme il pulsante principale o durante la carica della batteria, seguire le indicazioni per liberare le funzioni di protezione o eseguire le azioni di verifica necessarie.

SIGNIFICATO DEI CODICI D'ERRORE	LED	AZIONE CONSIGLIATA
Esaurimento della capacità della batteria e attivazione della modalità protezione a bassa tensione.		Iniziare a caricare la batteria.
Attivazione della modalità di protezione ad alta o bassa temperatura della batteria.		Sistemare la batteria in un ambiente a 5 ~ 40 °C
Attivazione della modalità di protezione da cortocircuito della batteria.		Togliere qualsiasi oggetto che possa causare il cortocircuito ai pin della batteria e verificare tutti i cavi. Attendere 30 secondi.
Attivazione della modalità di protezione da difetto permanente o protezione di sicurezza extra della batteria.		Arrestare la carica e contattare un rivenditore autorizzato.
Attivazione della modalità di protezione da sovraccarico di corrente.		Togliere il caricabatteria e sospendere il processo di ricarica della batteria. Attendere 30 secondi.
Dopo un lungo periodo d'uso della batteria, i LED si accendono solo quando la batteria è in carica e lampeggiano per 10 secondi.		Contattare un rivenditore autorizzato per verificare lo stato della batteria.



LED acceso



LED lampeggia a 2 Hz



LED lampeggia a 1 Hz



LED spento

## 13 SOSPENSIONI REGOLAZIONI DELLE FORCELLE FOX

Consultare il manuale completo delle forcelle Fox montate sulla Rise nella documentazione del fabbricante.

**MANUALE DELLA FORCELLA FOX 36 FLOAT GRIP 2**  
[www.ridefox.com/fox17/help.php?m=bike&id=1082](http://www.ridefox.com/fox17/help.php?m=bike&id=1082)

**MANUALE DELLA FORCELLA FOX 34 FLOAT GRIP & FIT 4**  
[www.ridefox.com/fox17/help.php?m=bike&id=1081](http://www.ridefox.com/fox17/help.php?m=bike&id=1081)

### SUGGERIMENTI PER LA REGOLAZIONE DELLA PRESSIONE D'ARIA DELLE FORCELLE FOX 34 E 36 FLOAT

Le seguenti tabelle contengono valori approssimativi; possono variare in funzione dello stile di guida o delle condizioni del terreno.

MISURAZIONI DI SAG CONSIGLIATO	Corsa totale della forcella	15% SAG (Stabile)	20% SAG (Morbido)
<b>FOX 36 FLOAT</b>	150 mm	23 mm	30 mm
<b>FOX 34 FLOAT</b>	140 mm	21 mm	28 mm

#### PRESSIONE D'ARIA CONSIGLIATA PER LA REGOLAZIONE DEL SAG

FOX 36 FLOAT			FOX 34 FLOAT		
Peso ciclista+equipaggiamento (kg)	Peso ciclista+equipaggiamento (lb)	Pressione (psi)	Peso ciclista+equipaggiamento (kg)	Peso ciclista+equipaggiamento (lb)	Pressione (psi)
54-59	120-130	66	54-68	120-150	58-68
59-64	130-140	70	68-82	150-180	72-82
64-68	140-150	74	82-95	180-210	86-96
68-73	150-160	78	95-113	210-250	100-114
73-77	160-170	82			
77-82	170-180	86			
82-86	180-190	89			
86-91	190-200	94			
91-95	200-210	99			
95-100	210-220	105			
100-104	220-230	109			
104-109	230-240	113			
109-113	240-250	117			

## SUGGERIMENTI PER LA REGOLAZIONE DEL RITORNO DELLE FORCELLE FOX 34 E 36 FLOAT

La regolazione del ritorno dipende dalla pressione d'aria. Maggiore è la pressione d'aria, più chiuso deve essere il circuito di ritorno.

Usare la pressione d'aria finale della forcella per trovare la regolazione del ritorno. Girare il pomello del ritorno fino alla posizione chiusa (girare in senso orario).

Quindi contare tanti "click" quanti ne appaiono sulla tabella in senso antiorario.

### REGOLAZIONE DEL RITORNO CONSIGLIATA

FOX 36 FLOAT			FOX 34 FLOAT				
Peso ciclista+equipaggiamento (kg)	Peso ciclista+equipaggiamento (lb)	36 GRIP (click)	36 GRIP 2		Pressione d'aria	FIT 4 (click)	GRIP (click)
			LSR (click)	HSR (click)			
54-59	120-130	13	9	8	65 psi / 4,5 bar	8	13
59-64	130-140	12	8	7	70 psi / 4,8 bar	8	12
64-68	140-150	11	7	6	74 psi / 5,1 bar	7	11
68-73	150-160	10	7	6	80 psi / 5,5 bar	7	10
73-77	160-170	9	6	5	85 psi / 5,9 bar	6	9
77-82	170-180	8	6	5	90 psi / 6,2 bar	6	8
82-86	180-190	7	5	4	96 psi / 6,6 bar	5	7
86-91	190-200	6	4	3	101 psi / 7,0 bar	5	6
91-95	200-210	5	4	3	106 psi / 7,3 bar	4	5
95-100	210-220	4	3	2	111 psi / 7,6 bar	4	4
100-104	220-230	3	2	1	117 psi / 8,0 bar	3	3
104-109	230-240	2	2	1	122 psi / 8,4 bar	2	2
109-113	240-250	1	1	0	126 psi / 8,7 bar	1	1

## REGOLAZIONI DEGLI AMMORTIZZATORI FOX

Consultare il manuale completo degli ammortizzatori Fox montati sulla Rise nella documentazione del fabbricante.

### MANUALE DEGLI AMMORTIZZATORI FOX DPS E DPX2 EVOL

[www.ridefox.com/fox17/help.php?m=bike&id=1079](http://www.ridefox.com/fox17/help.php?m=bike&id=1079)

## SUGGERIMENTI PER LA REGOLAZIONE DELLA PRESSIONE D'ARIA DEGLI AMMORTIZZATORI FOX DPX EVOL E DPX2 EVOL

Le seguenti tabelle contengono valori approssimativi; possono variare in funzione dello stile di guida o delle condizioni del terreno.

### MISURAZIONE DEL SAG CONSIGLIATA **30%**

Regolare la pressione d'aria dell'ammortizzatore fino a raggiungere il SAG obiettivo. Un 25% di SAG darà una sensazione di stabilità con maggiore supporto, mentre un SAG del 30% fornisce una sensazione più morbida di guida.

### REGOLAZIONE DEL RITORNO

Basata sulla pressione d'aria una volta raggiunto il SAG obiettivo.

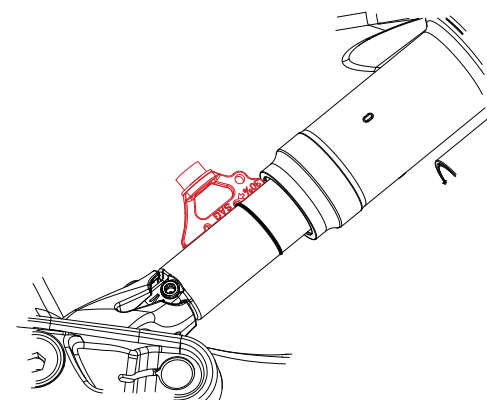
Pressione d'aria (psi)	Regolazione del ritorno consigliata (click)
<100	Aperto
100-120	11
120-140	10
140-160	9
160-180	8
180-200	7
200-220	6
220-240	5
240-260	4
260-280	3
280-300	Chiuso
104-109	230-240
109-113	240-250

Una volta raggiunto il SAG desiderato, regolare il ritorno in funzione della pressione d'aria nell'ammortizzatore.

Usare la pressione d'aria finale dell'ammortizzatore per trovare la regolazione del ritorno. Girare il pomello del ritorno fino alla posizione chiusa (girare in senso orario).

Quindi contare tanti "click" quanti ne appaiono sulla tabella in senso antiorario.

Si può utilizzare il misuratore di SAG integrato nello strumento di precarica del link della Rise per misurare un SAG del 30%.





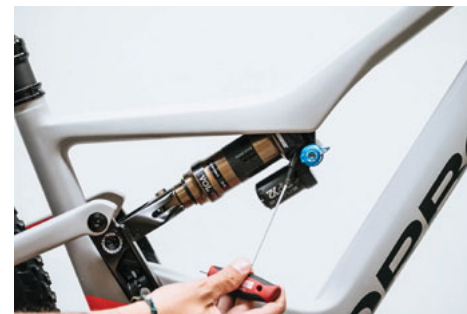
## RIDUTTORI DI VOLUME DELLA CAMERA D'ARIA IN AMMORTIZZATORI FOX

L'ammortizzatore FOX DPX2 consente di modificare il volume della camera d'aria per ottenere la progressività che più si addice al proprio stile di guida.

L'ammortizzatore viene consegnato con un riduttore di volume di 0.2, ma è incluso anche un riduttore di 0.4 per modificarlo a piacere.

SENZA RIDUTTORE	COMPORAMENTO PIÙ LINEARE	PESO DEL PILOTA LEGGERO
		STILE MENO AGGRESSIVO
CON RIDUTTORE 0.2	MAGGIORE PROGRESSIVITÀ.	PESO DEL PILOTA MEDIO
		STILE DI GUIDA MEDIO
CON RIDUTTORE 0.4	MAGGIORE PROGRESSIVITÀ.	PESO DEL PILOTA MAGGIORE
		STILE DI GUIDA AGGRESSIVO

1. Per installare o smontare i riduttori di volume della camera d'aria dell'ammortizzatore, svuotare completamente la camera d'aria dell'ammortizzatore DPX2.



2. Quindi, svitare il fodero della camera d'aria dalla testa dell'ammortizzatore e far scorrere il fodero verso il basso.



3. Smontare il riduttore della camera d'aria di 0.2 dallo stelo e montare il riduttore di 0.4 (con il lato piatto verso l'alto) o lasciare la camera d'aria senza riduttore di volume.




4. Far scorrere il fodero della camera d'aria verso l'alto e avvitarlo saldamente alla testa dell'ammortizzatore.



5. Con un soffietto rigonfiare la camera d'aria alla pressione desiderata.



## 14 DICHIARAZIONE DI CONFORMITÀ



**CE** **DECLARACIÓN DE CONFORMIDAD CE**  
**EC DECLARATION OF CONFORMITY**

**El fabricante / The manufacturer:** Orbea S. Coop.  
Polígono Industrial Goitondo s/n  
48269, Mallabia (Bizkaia) - Spain

**Declara que los siguientes productos / Declares that the following products:**

Descripción / Description : EPAC  
 Marca / Make : ORBEA  
 Modelos / Models : EMX 24, GAIN, KATU, KERAM, OPTIMA, RISE,  
 VIBE and WILD  
 Año de construcción / Year of manufacture : 2020 and 2021

**Cumplen con las siguientes Directivas Europeas / Fulfills the following European Directives:**

- Directiva 2006/42/CE / Directive 2006/42/EC
- Directiva 2004/108/CE / Directive 2004/108/EC
- Directiva 2011/65/CE / Directive 2011/65/EC

**Las siguientes normas armonizadas han sido completamente aplicadas / The following harmonized standards have been fully applied:**

De acuerdo con la Directiva 2006/42/CE / According to Directive 2006/42/EC

- EN 12100

De acuerdo con la Directiva 2004/108/CE / According to Directive 2004/108/EC

- EN 61000-3-2 - EN 61000-3-3 - EN 61000-6-1
- EN 61000-6-3 - 61000-4-2


**Las siguientes normas nacionales y otras especificaciones (o partes de las mismas) han sido aplicadas / The following national standards and other specifications (or parts thereof) have been applied:**

- EN 15194 - EN 14764


**Persona autorizada para elaborar el expediente técnico / Authorized person to elaborate the technical file:**

Nombre / Name : Aitor Juaristi (Quality Manager)  
 Dirección / Address : Polígono Industrial Goitondo s/n  
 48269, Mallabia (Bizkaia) - Spain

02 / 11 / 2020



Orbea S. Coop.  
 P. I. Goitondo 48269 Mallabia (Bizkaia) - Spain  
 Tel.: + 34 943 171 950 - Fax: + 34 943 174 397  
 orbea@orbea.com - www.orbea.com



## 15 INFORMAZIONI SUPPLEMENTARI

ORBEA partecipa attivamente su Facebook e Twitter con la sua fantastica comunità globale di ciclisti. Cerchi un posto dove andare in bicicletta o trascorrere le tue vacanze? Sicuramente qualcuno ti darà delle idee interessanti:

### FACEBOOK

[www.facebook.com/OrbeaBicycles](http://www.facebook.com/OrbeaBicycles)

### TWITTER

[www.twitter.com/Orbea/](http://www.twitter.com/Orbea/)

### YOUTUBE

Visita il canale di Orbea su YouTube; qui troverai diversi video tecnici e di impostazione molto utili:

[www.youtube.com/user/OrbeaBicycles](http://www.youtube.com/user/OrbeaBicycles)

### INSTAGRAM

[www.instagram.com/orbeabicycles](http://www.instagram.com/orbeabicycles)

### ORBEA CONTENT

Guarda e scarica foto, video e documenti.

[content.orbea.com/us-en/](http://content.orbea.com/us-en/)

### BLOG ORBEA

[www.orbea.com/es-es/blog/](http://www.orbea.com/es-es/blog/)

### RIFORNITORI ORBEA

I nostri rivenditori sono altamente specializzati, per cui ti aiuteranno nella configurazione e manutenzione della tua bicicletta Orbea. Puoi trovare un riepilogo completo dei rivenditori Orbea sul nostro sito web:

[www.orbea.com/us-en/dealers/?country=INT](http://www.orbea.com/us-en/dealers/?country=INT)

### CONTATTO

Accedi ai nostri dati e modulo di contatto su:

[www.orbea.com/es-es/contacto](http://www.orbea.com/es-es/contacto)

USA:

[www.orbea.com/us-en/contact/](http://www.orbea.com/us-en/contact/)



**ORBEA**

[WWW.ORBEA.COM](http://WWW.ORBEA.COM)