

The title 'Perfect Binder User's Guide' is positioned on the left side of the page. It is preceded by a solid magenta vertical bar. The text is in a bold, dark grey sans-serif font.

ComColor GD Series

Model: Perfect Binder G10 (200) / Perfect Binder G10 (120)

The user is cautioned that unauthorised changes or modifications not approved could void the user's authority to operate the equipment.

NOTE: This equipment has been tested and found to comply with the limits for a Class B digital device, pursuant to part 15 of the FCC Rules. These limits are designed to provide reasonable protection against harmful interference in a residential installation. This equipment generates, uses and can radiate radio frequency energy and, if not installed and used in accordance with the instructions, may cause harmful interference to radio communications. However, there is no guarantee that interference will not occur in a particular installation. If this equipment does cause harmful interference to radio or television reception, which can be determined by turning the equipment off and on, the user is encouraged to try to correct the interference by one or more of the following measures:

- Reorient or relocate the receiving antenna.
- Increase the separation between the equipment and receiver.
- Connect the equipment into an outlet on a circuit different from that to which the receiver is connected.
- Consult the dealer or an experienced radio / TV technician for help.

CAN ICES-3(B)/NMB-3(B)



CAUTION

To ensure safety precautions, be sure to read this guide before using the product. After reading this guide, keep it in handy for future reference.



VORSICHT

Um Vorsichtsmasnahmen zu treffen, lesen Sie sich vor Gebrauch des Produkts das Handbuch durch. Halten Sie das Handbuch nach dem Durchlesen stets griffbereit.

About This Guide

Prefaces

Thank you for purchasing the Perfect Binder.

The Perfect Binder is a device which can be connected to a RISO printer (ComColor GD Series) to perform perfect binding. You can make booklets with the printed covers and body pages, and also make printing and binding from Microsoft Word files or PDF files by using the dedicated software or printer driver.

Please read the related guides before using or when you have concerns while using, and make use of this product and guide long for ever.

The following two guides are supplied with the Perfect Binder.

● User's Guide (this guide)

This guide describes specifications, operations and settings of each function.

This guide also describes how to handle or replace the consumables and the action to take when the problems occur.

● Application Guide

This guide describes the method to create binding data by loading "cover data" and "body page data".

This guide describes required information when connecting the Perfect Binder. For settings of the printer that are not related to the binding function, see the guides of the ComColor GD Series printer.

This guide mainly describes operations using "Perfect Binding Software" which allows for easy editing of such as impositioning. You can also send original data created with an application of your choice via a printer driver or dedicated printer driver compatible with PostScript 3 (if the optional print controller has been installed) for simplified binding. For more information on how to transmit binding data and the items for configurations, see "Using the Printer Driver" (p. 1-4) or the user's guide of the print controller (ComColor Express FS 2000C).


About This Guide

- (1) This guide may not be reproduced in whole or in part without the permission of RISO KAGAKU CORPORATION.
- (2) The contents of this manual may be changed without prior notice due to product improvements.
- (3) RISO KAGAKU CORPORATION shall not be liable for any consequence of using this guide or the machine.

Trademark Credits

Microsoft, Windows, and Microsoft Word are either registered trademarks or trademarks of Microsoft Corporation in the United States and/or other countries.

PostScript is either registered trademarks or trademarks of Adobe Systems Incorporated in the United States and/or other countries.

 RISO, ComColor, and FORCEJET are trademarks or registered trademarks of RISO KAGAKU CORPORATION in the United States and other countries.

Other corporate names and/or trademarks are either registered trademarks or trademarks of each company, respectively.



Acquisition of Color Universal Design Certification

The Perfect Binder (this unit) is certified for being manufactured in consideration of Color Universal Design, which improves visibility for more people regardless of individual differences in color perception, by the Color Universal Design Organization (CUDO).

Symbols, Notations, and Screenshots Used in This Guide

■ Symbols Used in This Guide



Indicates cautions that should be noted for safe use of this unit.



Indicates important items that should be noted or are prohibited.

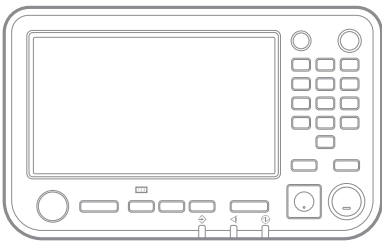


Indicates useful information or additional information.

■ Names of Keys and Buttons

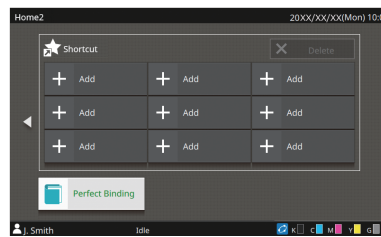
The names of physical keys on the operation panel, buttons on the touch panel screen, and buttons/items displayed on the computer operation screen are indicated with square brackets [].

● Operation Panel



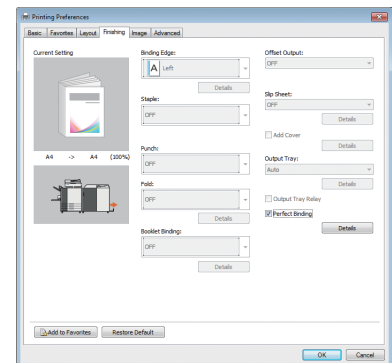
Example: Press the [Stop] key.

● Touch Panel Screen



Example: Touch [Perfect Binding].

● Computer Window



Example: Place a check in [Perfect Binding].

■ Illustrations Used in This Guide

The screenshots and illustrations contained in this guide may vary depending on the model of the printer, or the usage environment, including the connected optional equipment.

Contents

About This Guide	1
Symbols, Notations, and Screenshots Used in This Guide	2
Safety Precautions	5
Warning Symbols	5
Power Plug	5
Installation Location	5
Power Connection	6
Handling	7
Caution Label	8
Before Use	9
Installation Location	9
Power Connection	9
Required Spacing	10
Handling	11
Consumable Storage and Handling Precautions	11
Disposing of Used Consumables	12
Usable Paper	12
Handling of Bound Booklets	13
Restrictions on the Printer	14
Part Names and Functions	15
What You Can Do with the Perfect Binder	16
Perfect Binding	18
Binding Method	18
Terms	18
Paper Feed Path	20
Binding Preparations	21
Power Supply	21
Unit Status	22
Loading the Body Pages/Cover (Manual Binding)	23
Chapter 1 Binding	1-1
Basic Operations of the Perfect Binding Software	1-2
Using the Printer Driver	1-4
Setting the Printer Configuration	1-4
Allocating the Original Data to the Cover Sheet and Body Pages	1-4
Performing Perfect Binding	1-6



[Finishing] Tab	1-6
Operations of the Binding Job	1-8
Changing the Settings during Printing	1-8
Changing the Settings of a Waiting Job	1-8
Setting the Binding Functions	1-9
Admin Menu Settings	1-11
Perfect Binder Settings	1-11
Cover Settings for the Perfect Binder	1-12
 Chapter 2 Maintenance	 2-1
Replacing the Consumables	2-2
Replacing the Glue Sheet	2-2
Replacing the Filters	2-4
Disposing the Cutting Trash	2-5
Cleaning the Unit	2-7
Troubleshooting	2-8
Precautions when Removing Jammed Paper	2-14
 Chapter 3 Appendix.....	 3-1
Specifications	3-2
Consumables	3-4
Types of Consumables	3-4
Index	3-6
Vorsichtsmaßnahmen	3-8
Warnsymbole	3-8
Netzstecker	3-9
Aufstellungsort	3-9
Netzanschluss	3-9
Behandlung	3-10
Warnsymbole	3-11
Vor Inbetriebnahme	3-12
Aufstellungsort	3-12
Netzanschluss	3-12
Abmessungen	3-13
Behandlung	3-14
Materiallager und Schutzmaßnahmen zur sicheren Handhabung	3-14
Entsorgung verbrauchten Materials	3-15
Verwendbares Papier	3-15
Handhabung gebundener Booklets	3-16
Technische Daten	3-17

Safety Precautions





This section describes the items that should be followed for safe use of this unit. Be sure to read this section before using the unit.

Warning Symbols

To use the unit properly and to prevent human injury and damage to properties, the following warning symbols are used. Read the meaning of the symbols to understand and then read this guide.

 WARNING	Indicates that incorrect handling by ignoring this symbol may cause death or serious human injury.
 CAUTION	Indicates that incorrect handling by ignoring this symbol may cause human injury or damage to properties.

Examples of symbols

	The  symbol indicates a prohibited action. A specific prohibited action is drawn inside or next to the symbol. (The figure on the left indicates that disassembly is prohibited.)
	The  symbol indicates a forced action or an instruction. A specific instruction is drawn inside the symbol. (The left figure indicates an instruction to remove the power plug from the electrical outlet.)

Power Plug

- In addition to this unit, printers and optional devices connected to the printer also have power plugs.



Installation Location

CAUTION

- Place the unit on a flat or stable surface. Otherwise, the unit may tilt or collapse and cause human injury.
- Do not place the unit in a dusty or humid location. Otherwise, a fire or an electric shock might occur.

Power Connection

WARNING




- Confirm the specification of the unit's power source and use the power source with sufficient margin. Otherwise, a fire or an electric shock might occur.
- Do not connect another electric product to the same electrical outlet.
- Connect the power cord to an electrical socket and use this unit alone. If an extension cord is absolutely required, do not use longer than 5m (15ft). Otherwise, a fire or an electric shock might occur. 
- Do not damage or rebuild the power cord. Placing a heavy object on the cord or pulling or forcibly bending the cord may damage the cord, resulting in a fire or an electric shock. 
- The power cord supplied with this product can be used only for this unit. Do not use it for another electric product. Otherwise, a fire or an electric shock might occur.
- Do not plug or unplug the power cord if your hands are wet. Otherwise, an electric shock might occur.

CAUTION

- Connect the plug securely to the optional connection outlet on the printer main unit to avoid a loose connection.
- Do not pull the power cord when unplugging it. Otherwise, it could become damaged and a fire or an electric shock might occur. Be sure to hold on to the plug when unplugging the power cord.
- If the unit will not be used for a long time, such as during a holiday, unplug the power cord from the electrical outlet for safety.
- Remove the power plug from the electrical socket at least once a year and clean the prongs of the plug and their surroundings. Dust collected on these areas can result in fire.

Handling

WARNING

- Do not place water containers or metallic objects on the unit. If water drips inside the unit or a metallic object drops inside it, a fire or an electric shock might occur.
- Do not remove the covers. Otherwise, you might be electrically shocked by the high-voltage part inside. 
- Do not disassemble or rebuild the unit by yourself. Otherwise, a fire or an electric shock might occur.
- Do not insert or drop any metallic material or flammable substances into the unit through any opening. Otherwise, a fire or an electric shock might occur.
- If something falls inside the unit, immediately hold down the [Power] key  on the operation panel, turn off the operating power, and then turn off the main power switch. Next, unplug all of the power cords and contact your dealer or authorized service representative. Continued use might result in a fire or an electric shock.
- In the unlikely event that the unit continues to be used while emitting excessive heat, smoke, or a foul odor, a fire or an electric shock might occur. Immediately hold down the [Power] key on the operation panel, turn off the operating power, and then turn off the main power switch. Next, be sure to unplug all of the power cords and contact your dealer or authorized service representative. 

CAUTION

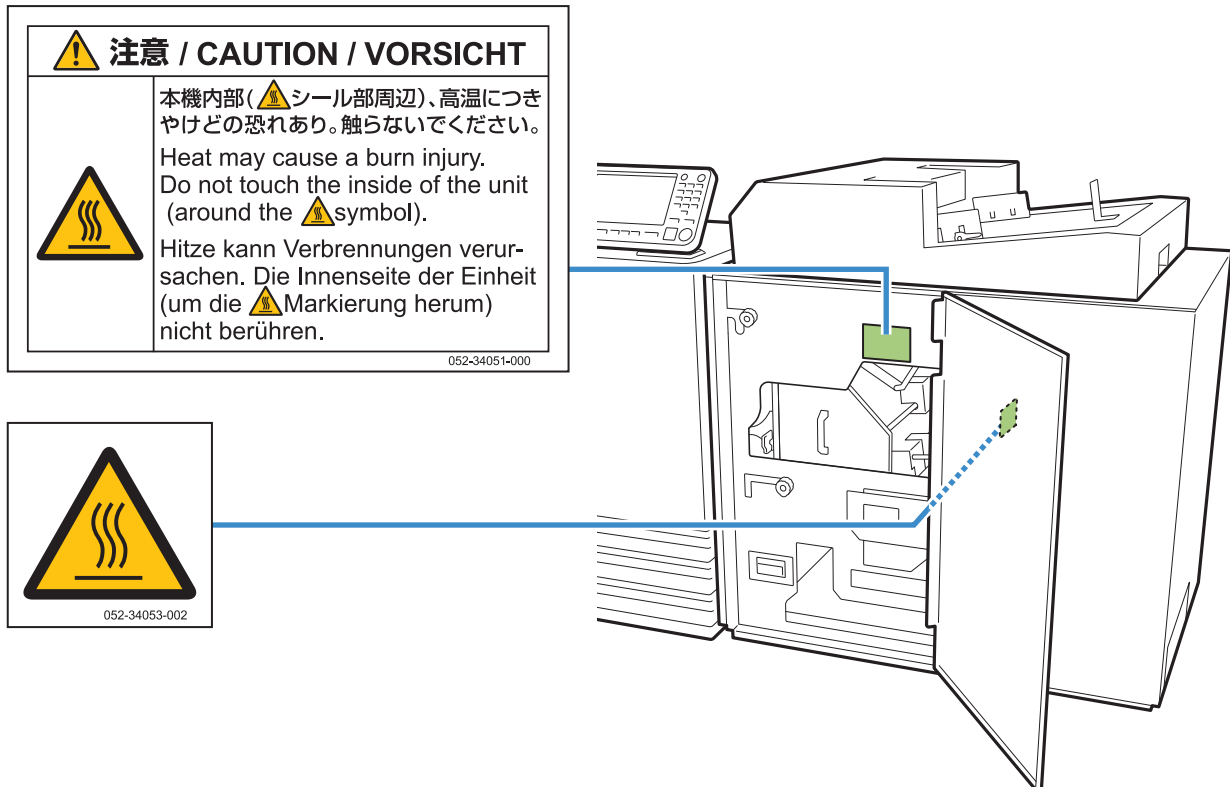
- Do not insert your fingers in the areas around the body sheet stacker or booklet slot. Failure to do so may cause injury.
- When moving the unit, contact your dealer or authorized service representative. Attempting to forcibly move the unit may cause the unit to collapse and result in injury.
- Perform adequate ventilation during work with the unit. If you feel sick, immediately move to a place with fresh air.
- If you feel something unusual, immediately consult a doctor.
- Around the high temperature caution label becomes high temperature. Never touch around the label. Also, do not keep touching the parts which become hot for a long time. Failure to comply may result in a burn.
- Be careful not to stumble over the output tray. Contact might result in a fall or an injury.
- Do not place objects on the unit. The heat from the heater inside the unit may deform or damage the objects.

Caution Label

For safety use, the caution label below is adhered to this unit. When operating or maintaining this unit, read the instructions on the caution labels for safe use. Do not remove or dirty the label. If the label is not stuck on the unit, turned out or unreadable, contact your dealer or authorized service representative.

■ Location of the Caution Label


The locations of the caution labels (warning) are shown below.



■ Label Details

The location of the label is high temperature. Body contact may result in burn.

 Do not touch this unit with your bare hands immediately after the unit has been stopped.

 • When touching the unit, wear the heatproof gloves. When you do not wear the gloves, confirm that the unit has thoroughly cooled down.

Before Use

This section describes the precautions that must be observed before using the unit.

Installation Location

Observe the following precautions.

- **Your dealer will help you determine a proper installation location for the unit upon delivery.**
- **When moving the unit, contact your service representative.**
- **Avoid installing the unit in the following locations. Otherwise, incorrect operation, malfunction, or accident might occur.**
 - Places exposed to direct sunlight or excessive illumination such as near a window
(If such is unavoidable, install curtains to cover the window.)
 - Places subject to sudden temperature variations
 - Places excessively hot and humid or cold and dry
 - Places close to fire or heat
 - Places directly subject to cold air from air conditioners or hot air from heaters, as well as radiant heat
 - Places with poor air permeability or ventilation
 - Dusty places
 - Places subject to excessive vibration
- **Install the unit in a place whose levelness is within the following specified range.**
Installation surface level: 2 degrees or less
- **Operate the unit under the following environment conditions.**
Temperature range: 15 °C - 30 °C (59 °F - 86 °F)
Humidity range: 40% - 70% RH (non-condensing)

Power Connection

Observe the following precautions.

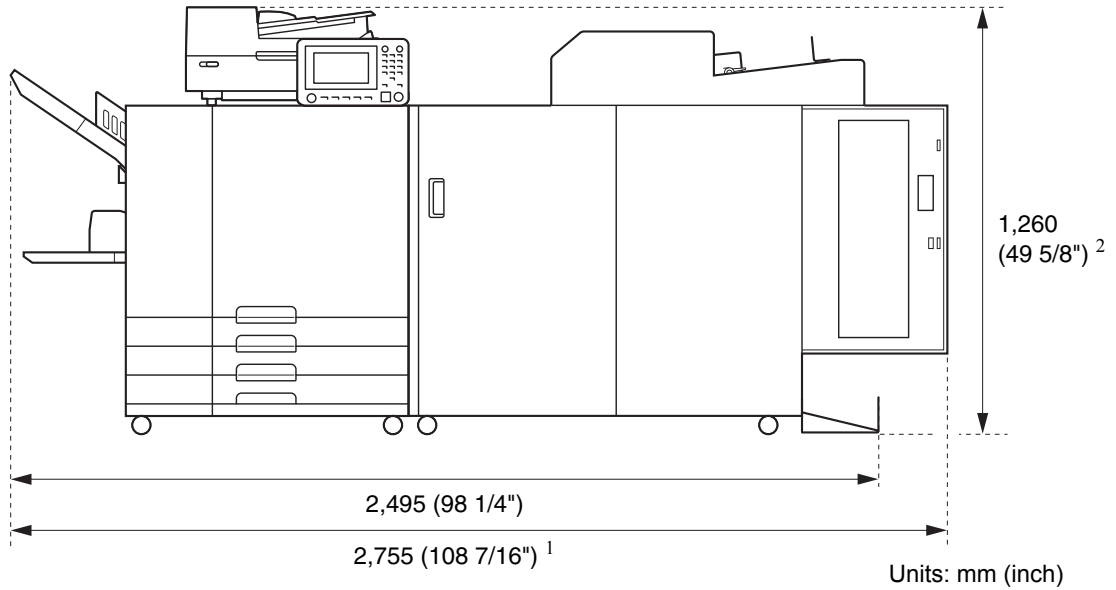
- **Connect the plug securely to the optional connection outlet on the printer main unit to avoid a loose connection.**
- **Install the unit near an electrical outlet.**
- **When the main power switch of this unit is on, the power of the unit will turn on and off together with the power of the printer.**

Required Spacing

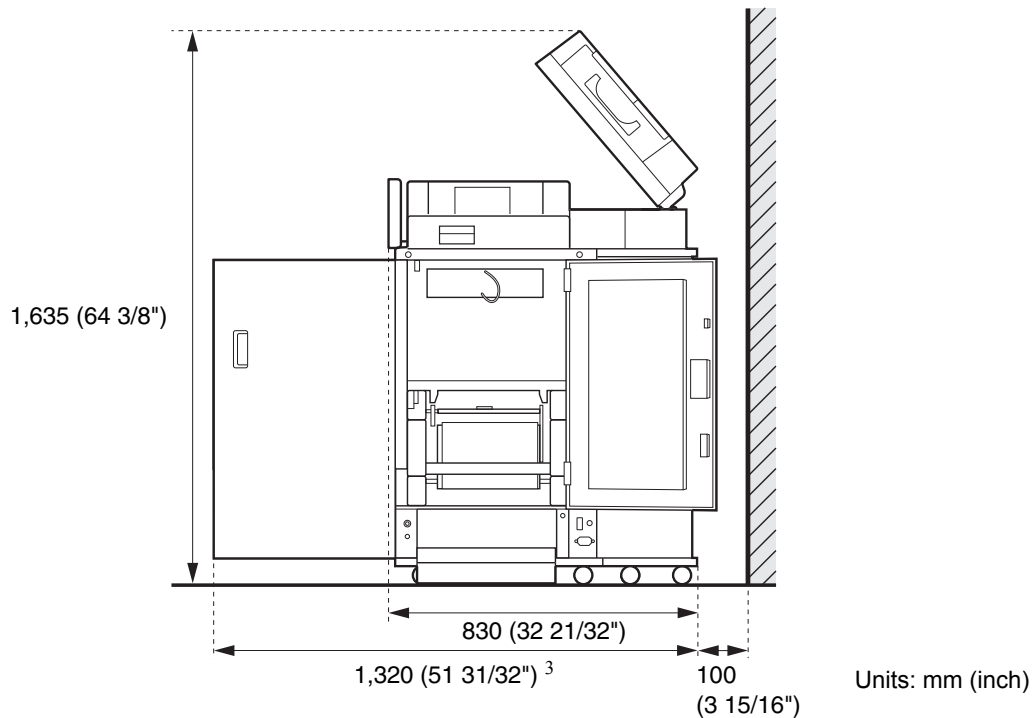
■ Printer and Perfect Binder

Provide sufficient space for the operations, replacing the consumables, and maintenance.

- As seen from the front



- As seen from the side



The size varies depending on the optional equipment used.

1 Width	Printer and Perfect Binder	2,755 mm (108 7/16")
	Printer, Perfect Binder and Scanner (when using special scanner stand)	2,755 mm (108 7/16")
	Printer, Perfect Binder and Face Down Finisher	2,975 mm (117 1/8")
	Printer, Perfect Binder and High Capacity Feeder	3,100 mm (122 1/16")
2 Height	Printer and Perfect Binder	1,160 mm (45 21/32")
	Printer, Perfect Binder and Scanner (when using special scanner stand)	1,260 mm (49 5/8")
	Printer, Perfect Binder and Face Down Finisher	1,345 mm (52 31/32")
3 Depth	Printer and Perfect Binder	1,240 mm (48 13/16")
	Printer, Perfect Binder and Scanner (when using special scanner stand)	1,320 mm (51 31/32")
	Printer, Perfect Binder and High Capacity Feeder	1,240 mm (48 13/16")

Handling

- Do not turn the main power switch off or unplug the unit during operation.
- Do not open any of the covers during operation.
- Do not move the unit.
- The unit contains precision components and moving parts. Therefore, do not perform operations not described in the guides.
- Do not place heavy objects on the unit or subject the unit to strong shocks.
- Open and close the covers gently.
- When turning the main power back on after once turning the main power of this unit off, do so after turning the [Power] key on the printer's operation panel off.

Consumable Storage and Handling Precautions

- Avoid keeping the glue sheets and filters in the following places. Store these items in an appropriate environment.
 - Places subject to direct sunlight or excessively illuminated such as next to a window (if such is unavoidable, use a curtain at the window and store in areas between 5 °C and 35 °C (41 °F - 95 °F))
 - Places subject to sudden temperature variations
 - Places excessively hot and humid or cold and dry
- Keep the operation environment of the unit and storage temperature of consumable, and check the manufacturing date to use as soon as possible after purchase.

Disposing of Used Consumables

Dispose finished glue sheets (glue sheet core, film) and filters (secondary filter, primary filter) according to the regulations in your local community. For details, contact your dealer or authorized service representative.

Glue Sheet	
Part	Material
Glue sheet	Plastic
Core	Paper
Sheet Holder	Plastic
Release Liner/Rolling Core	Plastic/Paper

Filter	
Part	Material
Secondary filter/frame	Plastic, active charcoal/paper
Primary filter	Plastic

Usable Paper

Cover Sheet

The following paper type and size can be loaded for the cover sheet.

Cover sheet type and size

Item	Plain paper, recycled paper
Weight ¹	Feed tray: 80 g/m ² - 104 g/m ² (21-lb bond - 28-lb bond) Standard tray / cover sheet inserter: 80 g/m ² - 210 g/m ² (21-lb bond - 56-lb bond)
Texture Direction (Paper Texture)	Short-grained paper (parallel to the short side)
Paper Warp	5 mm (7/32") or less

Cover Sheet Size ²

[Regular Size]

Cover sheet (When cutting off the surplus part):

For A5 binding:

210 mm × 307 mm - 342 mm
(8 1/4" × 12 3/32" - 13 15/32")

For B5 binding:

257 mm × 374 mm - 409 mm
(10 1/8" × 14 23/32" - 16 1/8")

For A4 binding:

297 mm × 430 mm - 465 mm
(11 11/16" × 16 15/16" - 18 5/16")

For Letter-sized binding:

279.4 mm × 441.8 mm - 476.8 mm
(11" × 17 13/32" - 18 25/32")

Cover sheet (When leaving the surplus part):

For A5 binding:

210 mm × 298.5 mm - 398 mm
(8 1/4" × 11 3/4" - 15 11/16")

For B5 binding:

257 mm × 365.5 mm - 432 mm
(10 1/8" × 14 3/8" - 17")

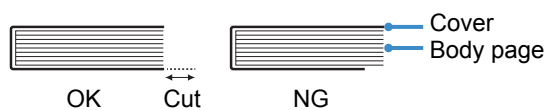
For A4 binding:

297 mm × 421.5 mm - 460 mm
(11 11/16" × 16 5/8" - 18 1/8")

For Letter-sized binding:

279.4 mm × 433.3 mm - 466 mm
(11" × 17 1/16" - 18 11/32")

- 1 If the thickness of a booklet (spine) is 20 mm (25/32") or more, the use of paper that is 105 g/m² (28-lb bond) or heavier is recommended.
- 2 The length of the cover will vary depending on the thickness of the body pages to be bound. When leaving the surplus part, paper of a length that will not leave a surplus when the body pages are wrapped cannot be used.



- For more information on usable paper, see also the guides of the ComColor GD Series printer.

Body Pages

The following paper type and size can be loaded for the body pages.

■ Body page type and size

Item	Plain paper, recycled paper
Paper Weight	Feed tray: 52 g/m ² - 104 g/m ² (14-lb bond - 28-lb bond) ¹ Standard tray / body sheet stacker: 52 g/m ² - 128 g/m ² (14-lb bond - 34-lb bond) ²
Texture Direction (Paper Texture)	Long-grained paper (parallel to the long side)
Paper Warpage	5 mm (7/32") or less
Size ³	[Regular Size] A5 (210 mm × 148 mm (8 1/4" × 5 27/32")) B5 (257 mm × 182 mm (10 1/8" × 7 3/16")) A4 (297 mm × 210 mm (11 11/16" × 8 1/4")) Letter (279.4 mm × 215.9 mm (11" × 8 1/2"))
Thickness of a booklet	1.5 mm (1/16") - 30 mm (1 3/16") 15 - 500 sheets (15 to 300 sheets when using plain paper and recycled paper (85 g/m ² (23-lb bond))). However, the number of sheets that can be bound will vary depending on the type of paper.)

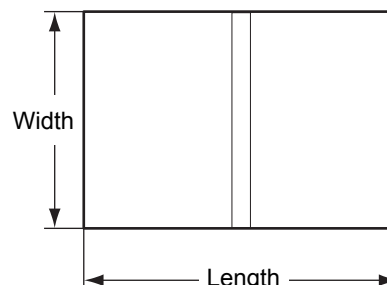
1 A5-LEF is unavailable

2 A5-LEF is 64 g/m² - 128 g/m² (17-lb bond - 34-lb bond)

3 The size of the body pages is the binding size

Note regarding the size of the cover sheet and the body pages

In this document, the size of the cover sheet and the body pages for binding is expressed in the form of (width) × (length) mm.




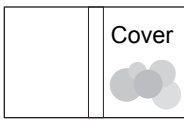


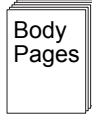
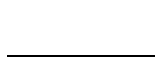

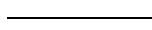
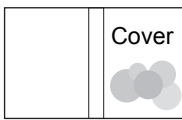




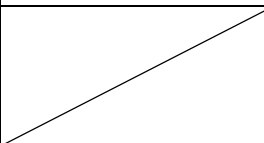
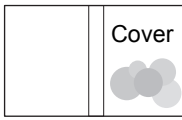
Handling of Bound Booklets

If a booklet bound with this unit is stored in a place exposed to direct sunlight, high temperatures, high humidity, or a tightly sealed environment, the glue may peel off and body pages may fall out. Avoid locations exposed to direct sunlight, high temperatures, and high humidity and store the booklets in an environment that is not tightly sealed.

Restrictions on the Printer

The original data for the cover may not be used on the printer without the feed tray. When the Perfect Binder is connected to the printer only with the standard tray, load the printed cover into the cover sheet inserter before binding.

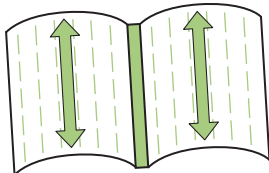
Usable paper type and size vary depending on the place into which the paper is loaded. For more information, see "Usable Paper" (p. 12).

Printer	Standard Tray	Feed tray	Cover Sheet Inserter	Binding size
Model with the feed tray ComColor GD9630/ GD7330				B5/A5
				A4/B5/Letter
				A4/B5/A5/ Letter
				A4/B5/Letter
Model without the feed tray ComColor GD9631				A4/B5/A5/ Letter

Paper texture

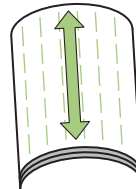
There are two types of paper: long-grained paper and short-grained paper. The paper texture is the fibers' orientation formed in the paper-forming process, which influences the finishing of the perfect binding.

Cover: short-grained paper (recommended)



The paper fibers are parallel to the short side of the paper

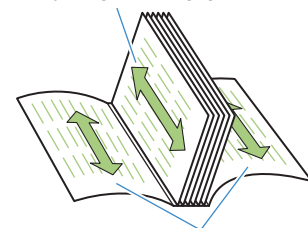
Body pages: long-grained paper (recommended)



The paper fibers are parallel to the long side of the paper

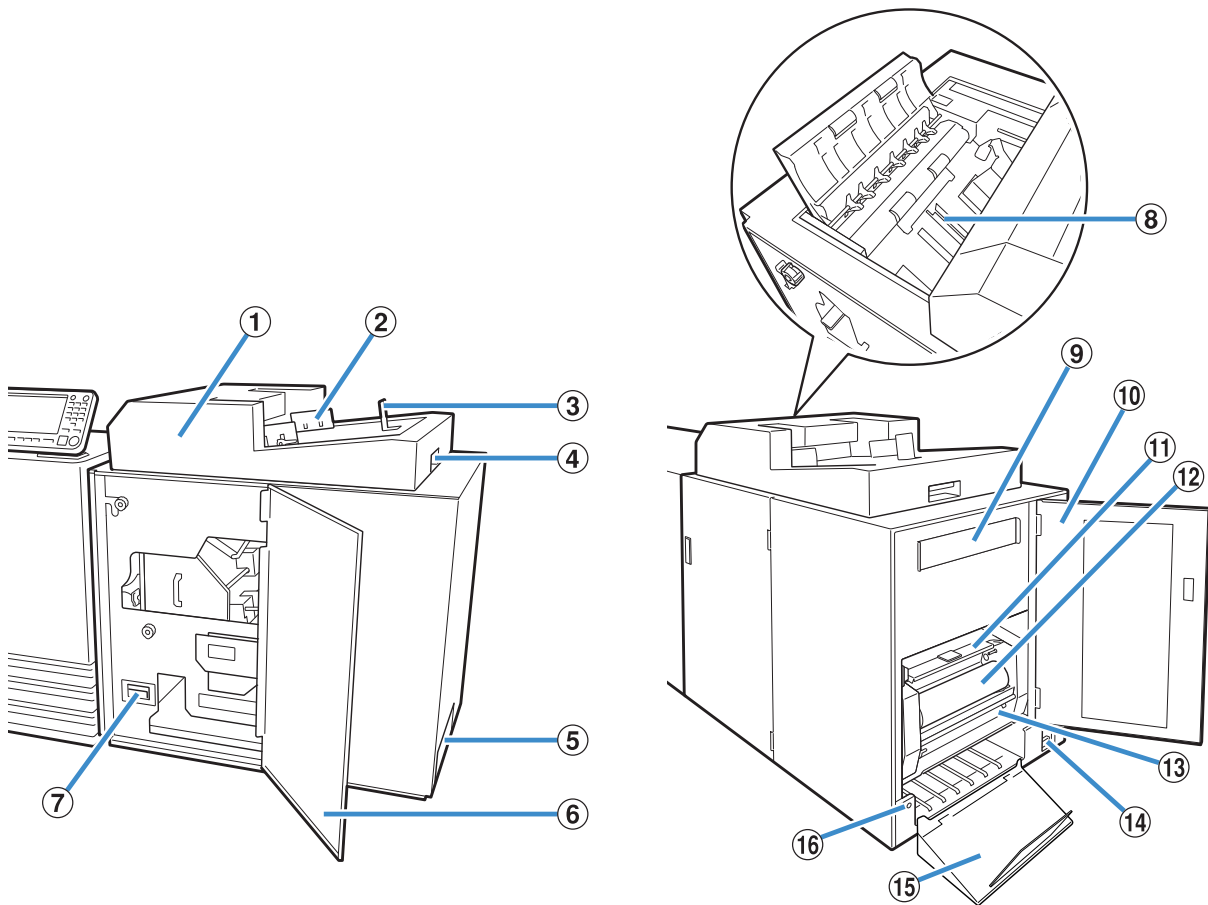
When a long-grained sheet is used as the cover, the folded (spine) part is undulated so that the booklet is not neatly bound. Also, the booklet is easily damaged by opening and closing the booklet repeatedly. When a short-grained sheet is used as the body page, the booklet is hard to open due to the paper stiffness. Also, when you open the booklet, the body pages may peel off from the spine part. Use the short-grained paper for the cover and the long-grained paper for the body pages so that the paper texture becomes parallel to the long side of the booklet.

Body pages (long-grained paper)



Cover (short-grained paper)

Part Names and Functions



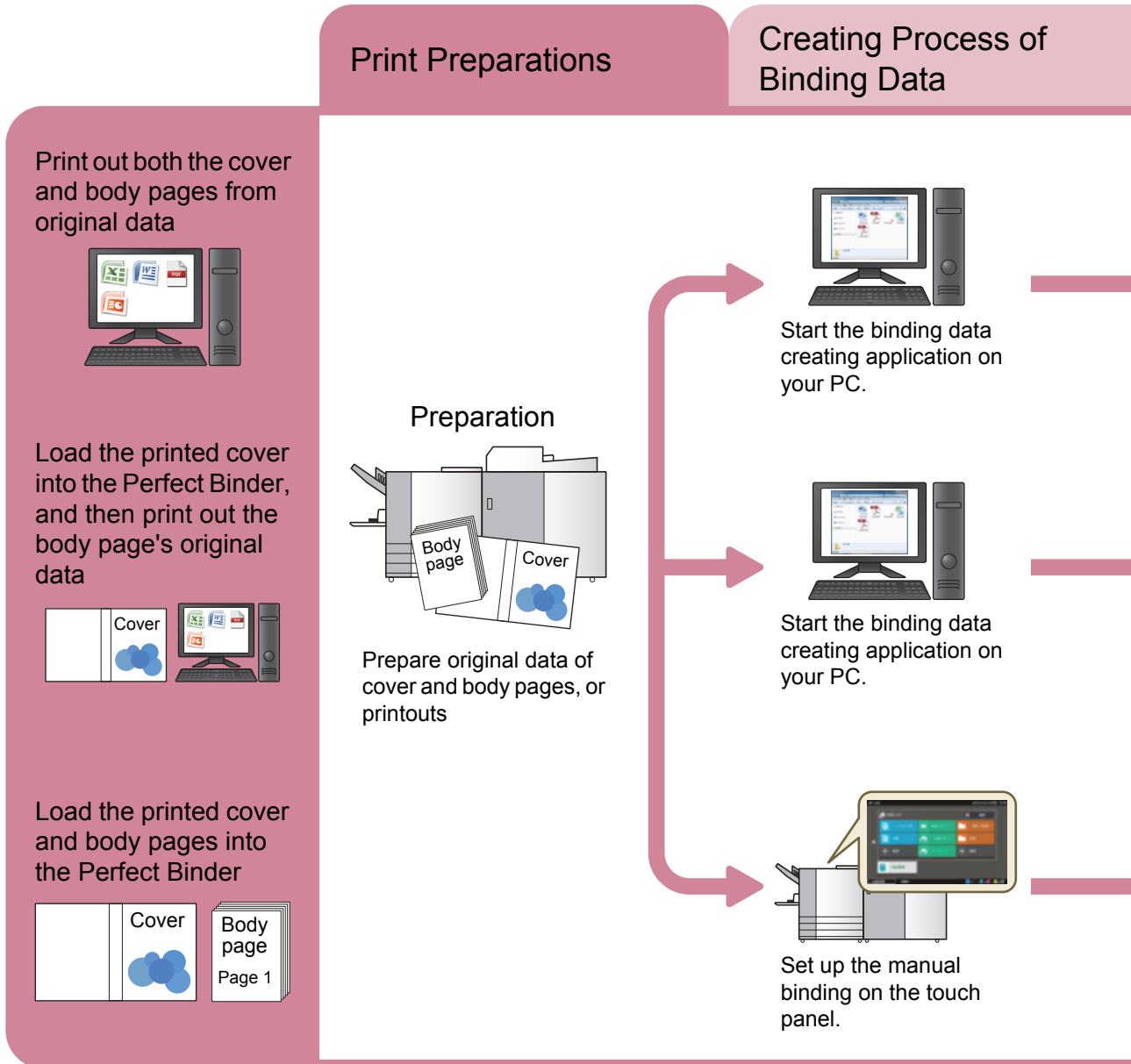
- ① **Cover Sheet Inserter**
Set cover sheets for manual binding.
- ② **Side Guides**
Slide to suit the cover width so that the paper is neatly aligned.
- ③ **End Guide**
Slide to suit the cover end so that the paper is neatly aligned.
- ④ **Cover Sheet Inserter Open Lever**
Use to slide the cover sheet inserter.
- ⑤ **Booklet Slot**
Bound booklets are output.
- ⑥ **Front Cover**
Open this cover to remove jammed paper or when disposing the cutting trash in the cover sheet dust box.
- ⑦ **Cover Sheet Dust Box**
Collects the cover sheet dust (cutting trash).
- ⑧ **Body Sheet Stacker**
Load the printed body pages into this part for manual binding.

- ⑨ **Secondary Filter**
Absorbs vaporized matters and odors generated in the unit when warming up the glue.
- ⑩ **Side Cover**
Open this cover to replace the consumables.
- ⑪ **Glue Sheet Cover**
Use to hold and supply the glue sheet.
- ⑫ **Glue Sheet**
Load the glue sheet used for binding.
- ⑬ **Rolling Core**
Set the rolling core used to roll up the protect film of the glue sheet.
- ⑭ **Main Power Switch**
When the main power switch is on, the power of the unit will turn on and off together with the power of the printer.
- ⑮ **Output Tray**
Booklets are output here.
- ⑯ **Eject Button**
Press to eject the booklets.

What You Can Do with the Perfect Binder

You can perform perfect binding with the three following methods:

- Print out both the cover and body pages from original data
- Load the printed cover into the Perfect Binder, and then print out the body page's original data
- Load the printed cover and body pages into the Perfect Binder



- It is also possible to cut the excess portion of the cover sheet upon binding. The setting for whether to cut the cover sheet can be changed with the "Admin Menu". (p. 1-12 "Cover Settings for the Perfect Binder")
- For more information on items for configurations and how to transmit original data, created with other than the Perfect Binding Software, via a printer driver or a dedicated printer driver compatible with PostScript 3 (if the optional print controller has been installed), see "Using the Printer Driver" (p. 1-4) or the user's guide of the print controller (ComColor Express FS 2000C).

There are two processes for perfect binding:

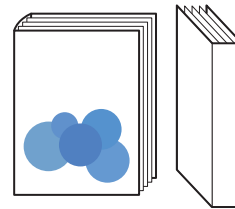
- Process of creating binding data: Create binding data using the Perfect Binding Software
- Binding process: Bind the printouts using the Perfect Binder

Binding Process

Creating Binding Data



Load original data to set imposition and edit data.

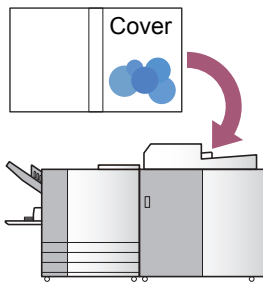


Printing and binding the cover and body pages

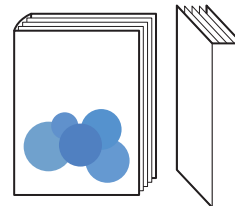
Creating Binding Data



Load original data to set imposition and edit data.



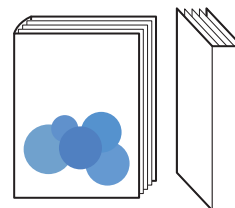
Load the printed cover into the cover sheet inserter in the Perfect Binder.



Binding the printed body pages



Load the printed cover into the cover sheet inserter in the Perfect Binder.
Load body pages into the body sheet stacker.



Binding

Perfect Binding

This section describes the method, terms, and constructure of this unit.

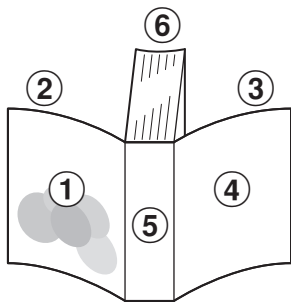
Binding Method

Perfect binding does not use staples; the binder glues body pages to the cover sheet. A booklet is created by wrapping the body pages with a single cover sheet on which the front, spine and back covers are printed. With the Perfect Binder, you can make a booklet directly upon printing the original data with the printer. It is also possible to make a booklet by loading the unit with a cover sheet and body pages printed in advance.

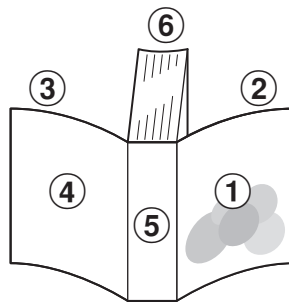
Terms

This section describes the terms of binding used in this guide.

Terms of the Perfect Binding



• When the binding side is [Right]



• When the binding side is [Left]

- ① Cover 1
- ② Cover 2
- ③ Cover 3
- ④ Cover 4
- ⑤ Spine
- ⑥ Body pages




Term	Description
Binding data	Original data with cover data and body page data
Cover data	Original data for printing on the cover
Body page data	Original data for printing on the body page
Cover 1	Front side of the front cover (outer)
Cover 2	Back side of the front cover (inner)
Cover 3	Back side of the back cover (inner)
Cover 4	Front side of the back cover (outer)
Spine	The part that the pages are fastened onto
Thickness of a booklet	The main body's thickness (exclude the cover's thickness)
Slip sheet	The sheet without printing both sides (in this guide)

Terms of the Status of the Perfect Binder

Term	Description
Printer	Printers which can be connected to the Perfect Binder (ComColor GD series)
Glue heater	Heater which warms up the temperature of the glue to 180 °C and the glue tank to 155 °C
Warming up mode	Status that the glue heater warms up the glue and glue tank to the suitable temperature
Stand-by mode	Status that the glue and glue tank is the suitable temperature so that the unit is ready for binding
Cooling down mode	Status that the glue heater runs at the lower temperature to prevent the deterioration of the glue
Sleep mode	A status where the heating of the glue heater has been stopped to suppress the power consumption of the Perfect Binder

■ Linkage with the printer

The Perfect Binder's status changes to the following, according to the printer's status.

Printer		Perfect Binder
<ul style="list-style-type: none"> The power for operating is turned on Recovery from the power-saving mode 		Starts in the "warming up mode" or "sleep mode", according to the "Admin Menu Settings"*
<ul style="list-style-type: none"> Power saving mode Backlight off Power consumption (in sleep) (Standard) 		The unit will enter the sleep mode.
<ul style="list-style-type: none"> The power for operating is turned off Power saving mode Power consumption (in sleep) (Low) 		The power turns off.

* This can be configured with "Perfect Binder Settings" (p. 1-11).

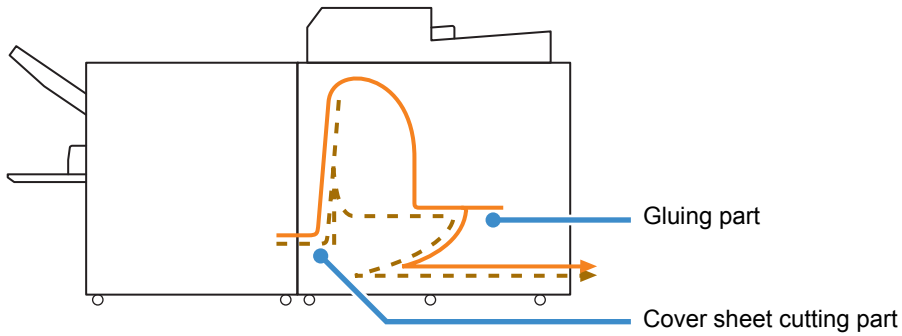
Paper Feed Path

The cover and the body pages are transferred within the Perfect Binder as shown below to form a booklet.

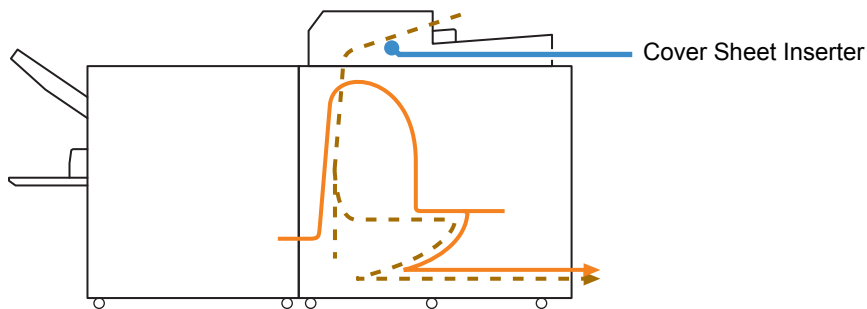
—▶ : Path of body page sheets

- - -▶ : Path of the cover sheet

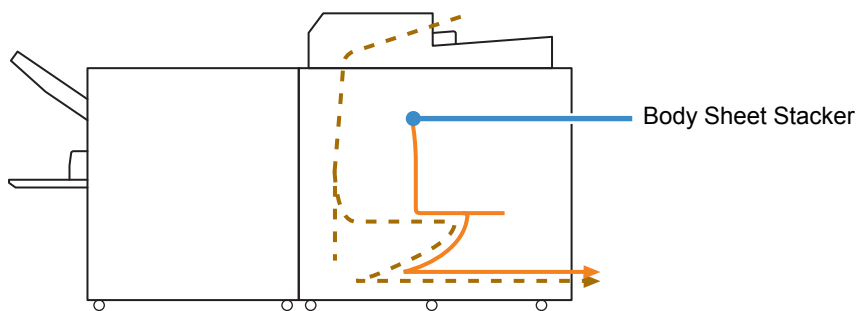
<When printing the cover and body pages from original data and binding them>



<When printing the body pages from the original data and binding with the printed cover>



<When binding the printed cover and body pages loaded into the Perfect Binder>



Binding Preparations

Before binding up, make the Perfect Binder ready for use.

- When the power of the Perfect Binder is off, the power will not turn ON automatically even if a binding job is sent. Manually turn the main power switch ON before use.

Power Supply

The main power switch of the Perfect Binder is located on the right side of the unit. When the main power switch is on, the power of the unit will turn on and off together with the power of the printer.

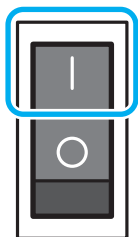
Turning On the Power

1 Make sure that the operating power of the printer is off.

If the operating power is off, the [Power] key on the printer's operation panel will not be lit.

Keep the main power of the printer on.

2 Turn on the main power switch of the Perfect Binder.



3 Press the [Power] key on the printer's operation panel.

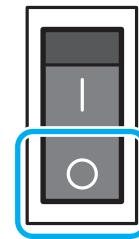
- When the power is turned on, the Perfect Binder will start in the sleep mode or the warming up mode. You can change the start-up mode in the "Admin Menu Settings". (p. 1-11 "Perfect Binder Settings")

Turning Off the Power

1 Make sure that the operating power of the printer is off.

Keep the main power of the printer on.

2 Turn off the main power switch of the Perfect Binder.



- When the main power of the Perfect Binder is off, the functions of the Perfect Binder cannot be used through the printer. Also, the functions and illustration of the Perfect Binder are not displayed on the operation panel and RISO Console.

Unit Status

Confirm the Perfect Binder's and the printer's status. To perform perfect binding, it is required that the power of the Perfect Binder is on and that the glue is at a suitable temperature.



- The status of the Perfect Binder and printer can be confirmed on both the operation panel and the RISO Console. For more information on the confirmation method on the RISO Console, see the guides of the ComColor GD Series printer.

Change of Status of the Perfect Binder

The Perfect Binder can operate in the four following modes:

When the power of the Perfect Binder is turned on, the Perfect Binder enters the sleep mode or the warming up mode.

- **Warming up mode**
The Perfect Binder heats the glue and the glue tank. When the both of them reaches to the suitable temperature, it goes to the stand-by mode and the Perfect Binder is ready to bind up.
- **Stand-by mode**
The unit is ready for binding.
- **Cooling down mode**
When a binding job is not started within the time set by the administrator, the unit enters a mode of lowering the temperature of the glue heater in order to prevent the deterioration of the glue.
- **Sleep mode**
The glue and glue tank will not be heated. In other than the stand-by mode, the Perfect Binder will start warming up the glue and glue tank when a binding job is sent. At the time when the both of them reaches to the suitable temperature, the binding begins.

Relationship between the status of the unit and the binding operations

The relationship between the status of the unit and the binding operations are as follows:

View	Unit Status	Binding Operation
Warming up (Binding unavailable)	Warming up mode	N/A
Ready to start binding.	Stand-by mode	✓
Cooling down (Binding unavailable)	Cooling down mode	N/A
Sleeping (Binding unavailable)	Sleep mode	N/A



- The time until the unit transitions to the cooling down mode or the sleep mode can be configured in the "Admin Menu Settings". (p. 1-11 "Perfect Binder Settings")

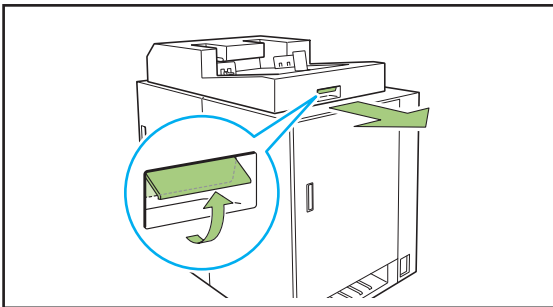
Loading the Body Pages/ Cover (Manual Binding)

To bind up the booklet manually (offline), load the printed covers and body pages into the Perfect Binder. Load cover sheets into the cover sheet inserter; body pages into the body sheet stacker. Load one booklet amount of body pages.

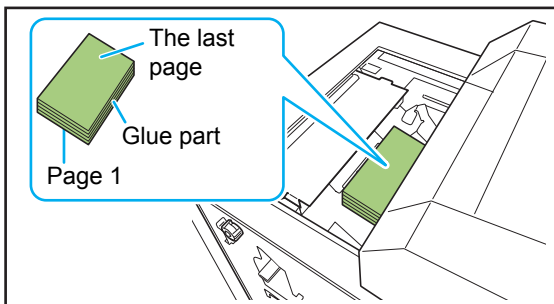
- For more information on the operation of manual binding, see the procedure in "Manual Perfect Binding" (p. 1-10).

Loading the Body Pages

- 1 Slide the cover sheet inserter to open, lifting the right lever.



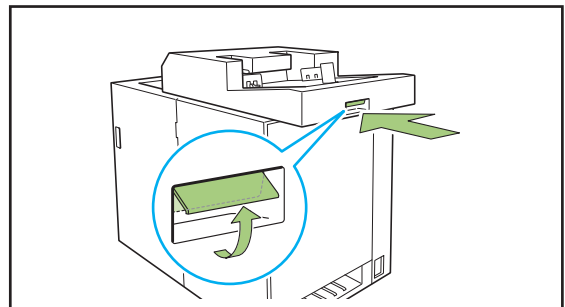
- 2 Load the printed body pages into the body sheet stacker.



- Loading method varies depending on the binding side.
 - Left binding, top binding: Load the last page top side up
 - Right binding: Load the first page top side up (p. 25 "Loading the paper for the manual binding")

3 Close the cover sheet inserter.

Slide the cover sheet inserter, lifting the right lever.



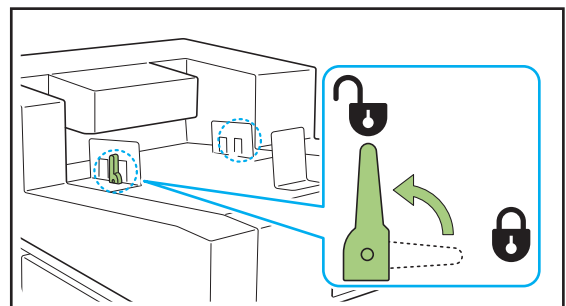
- If you release the right lever when sliding the cover sheet inserter to close, the stopper comes in the way to closing. Lift the right lever again to slide and close the cover sheet inserter.

Loading the Cover Sheet



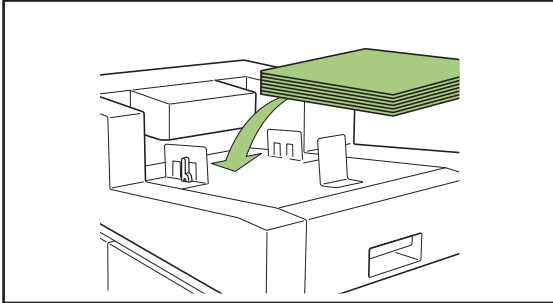
- If either of the following images exist within 5 mm (7/32") from the cover binding margin, the glue will not fix and cause the body pages to peel off easily. Please be careful when you create the cover.
 - Solid black, thick color
 - A ruled line thicker than 3 pt

- 1 Turn the lock lever to "Release" side and spread the side guides.



2 Load the cover sheet.

Load the cover side facing up.
Be careful so that the edges of the cover do not contact the side guides and bend.

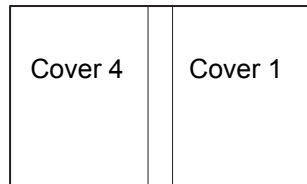


- The cover direction changes depending on the binding side.

Left binding



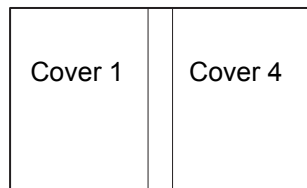
Loading
direction



Right binding

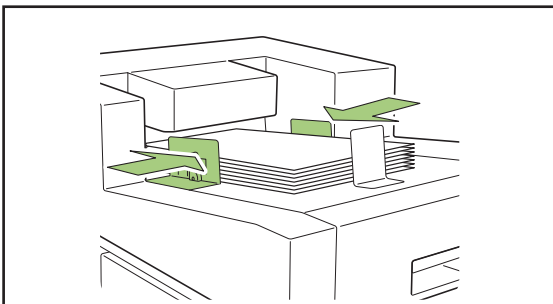


Loading
direction



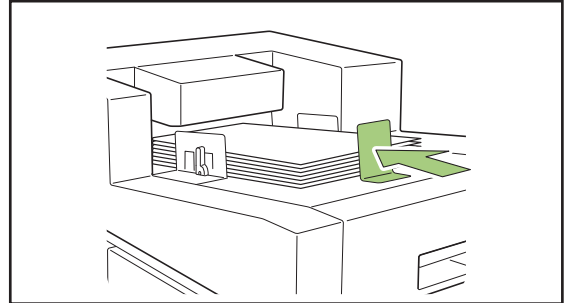
3 Fit the side guides to the cover sheet size.

Slide the side guides on the sides of the cover to fit to the cover and fix the side guides turning the lock lever to "Lock" side.



4 Fit the stopper to the cover sheet size.

The stopper is fixed with the magnet.



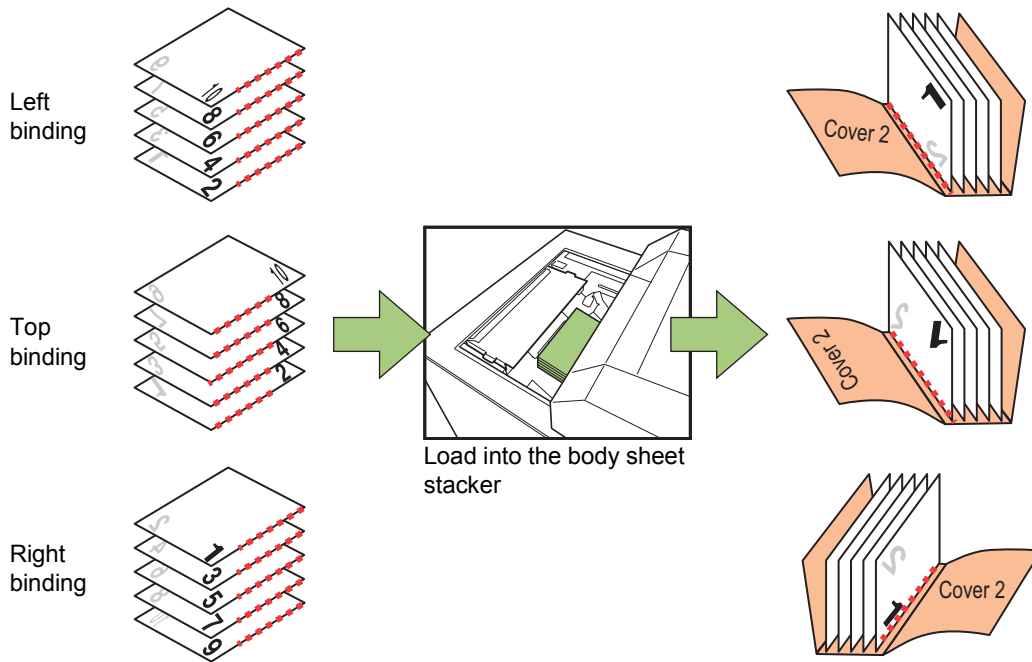
- Slide the stopper at the cover's end to fit to the cover. If the cover is not loaded correctly, the cover may not be fed inside the Perfect Binder.

Loading the paper for the manual binding

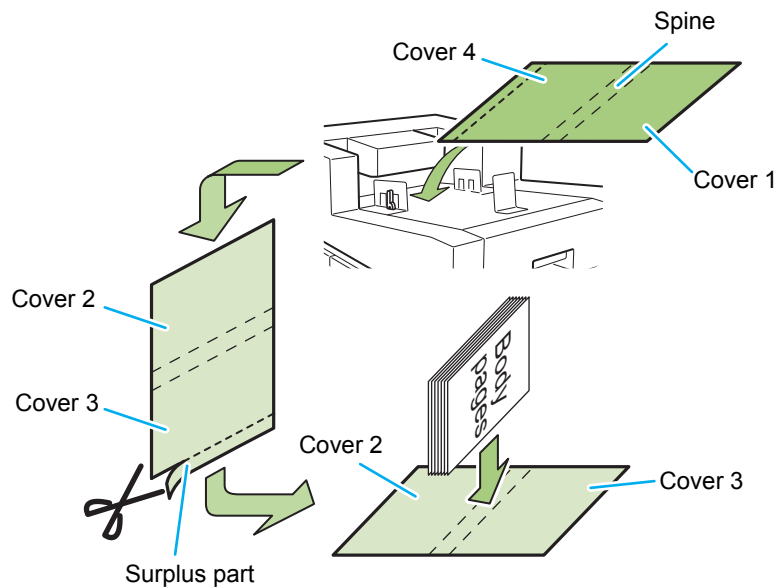
Be careful with the direction of the body pages and order when loading the printed body pages. Loading method varies depending on the binding side.

- Left binding, top binding: Load the last page top side up
- Right binding: Load the first page top side up

When loading original data with the Perfect Binding Software and printing and binding the data, the data is automatically configured.



Load the cover sheet outer cover (Cover 1, Cover 4) up. The surplus part of the cover sheet is automatically cut off according to the settings of "Cover Settings for the Perfect Binder" (p. 1-12).



- To create a booklet bound at the left or top, print the body pages from the first page. (Pages are output facing down.) To create a booklet bound at the right, print the body pages from the last page. (Pages are output facing up.)

This section describes the operations of binding.

In addition to the basic operations when using the Perfect Binding Software, this section describes the operations and settings of binding jobs via the printer driver and Admin Menu settings related to binding.

Basic Operations of the Perfect Binding Software

.....p. 1-2

This section describes the flow of operations using the Perfect Binding Software.

Using the Printer Driver.....p. 1-4

This section describes the flow of operations with the printer driver and the items for configuration.

Operations of the Binding Job.....p. 1-8

This section describes how to temporarily suspend a binding job and how to change the settings.

Admin Menu Settingsp. 1-11

This section describes the settings related to binding in the administrator menu.



Basic Operations of the Perfect Binding Software

You can send the original data from your PC, print and bind up booklets with the Perfect Binder. There are two methods of creating booklets from original data.

- Using original data for both cover and body pages
- Using original data for body pages only (cover is already printed)

This section describes the flow of operations using the Perfect Binding Software.



- For more information on operations of the binding data creating software (Perfect Binding Software) and compatible file formats, see the "Application Guide".
- For more information on items for configurations and how to transmit original data, created with other than the Perfect Binding Software, via a printer driver or a dedicated printer driver compatible with PostScript 3 (if optional print controller has been installed), see "Using the Printer Driver" (p. 1-4) or the user's guide of the print controller (ComColor Express FS 2000C).

● 1 Prepare the original.

Prepare the data for the cover and the body pages created with a Microsoft Office product, such as Microsoft Word, or in the PDF format.

● 2 Start the Perfect Binding Software.

● 3 Load the original data and create binding data.

For more information on the Perfect Binding Software, see the "Application Guide".

● 4 Confirm the preview.

● 5 Load the paper.

Load in the cover sheet inserter if using the printed cover.



- Change the printer's [Paper Selection] settings according to the paper size loaded onto the feed tray.
If the paper size is different between the [Paper Selection] setting and the loaded paper, you will not be able to obtain correct printing result.



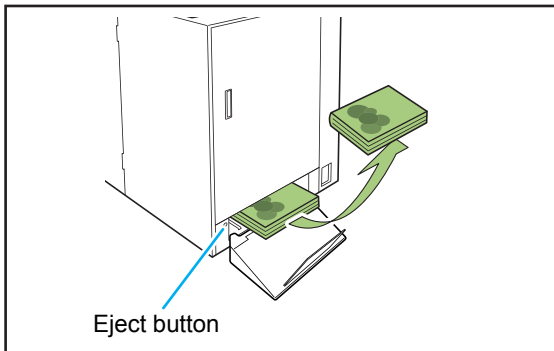
- For more information on loading the paper, see the guides of the ComColor GD Series printer.
- For more information on how to load a printed cover, see "Loading the Body Pages/Cover (Manual Binding)" (p. 23).
- You can load the printed cover sheet on the feed tray.

● 6 Send the binding job from the Perfect Binding Software.

The output paper of the printed original data is directly bound with this unit and a booklet is completed.

● 7 Remove the booklet.

Pick up the bound booklets from the booklet slot, at the bottom of the right side.



CAUTION

Immediately after binding, the spine of the booklet is of a high temperature.
Be careful not to burn yourself.



- When there is no booklet in the booklet slot, press the eject button to move the booklet to the booklet slot. Pushing the eject button again stops a booklet to move.

Using the Printer Driver

This section describes how to allocate original data as the cover and the body pages when sending a binding job and the setting items of the screen of the printer driver.



- The displayed setting items vary depending on the selected items or settings made by the administrator.
- If the optional equipment necessary for the setting is not attached, the setting item is not displayed.
- Before performing perfect binding, configure the printer driver settings on your computer.
- To perform variable data printing, use mail merge available with Microsoft Word.

Setting the Printer Configuration

Set the printer configuration when using the printer driver for the first time or when adding optional equipment to the printer.

1 Display the [Environment] tab.

The [Environment] tab is displayed when the printer being used is right clicked from [Devices and Printers] under the [Start] menu and [Printer Properties] is opened.

2 Click [Get Printer Info].

Automatically acquires the information of optional configuration from the printer. The information acquired from this unit is displayed on [Printer Configuration].



- To set the printer configuration manually, select [Finisher:] - [ON (Perfect Binder)].

3 Click [Custom Paper Entry].

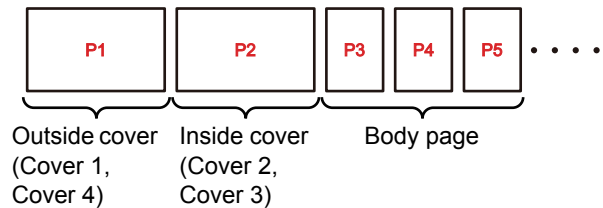
You can register up to 99 items worth of irregular size paper. For more information on the registration method of paper size, see the guides of the ComColor GD Series printer.

Allocating the Original Data to the Cover Sheet and Body Pages

The original data is divided into cover sheets and body pages and printed. The page allocation will vary depending on the setting of [Duplex Print] for the cover sheet. Prepare the original data suitable for the cover type.

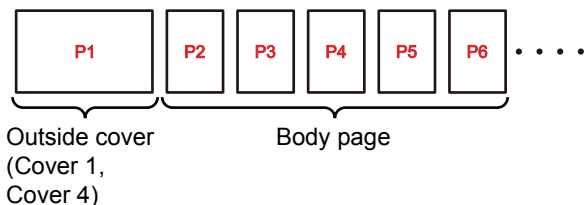
Performing Duplex Printing on the Cover Sheet

The first two pages of the original data are allocated on the front and back cover sheets. The subsequent pages are allocated on the body pages.



Performing Simplex Printing on the Cover Sheet (blank inside covers)

The first page of the original data is allocated on the cover sheet. The subsequent pages are allocated on the body pages.



Example of making of the original data

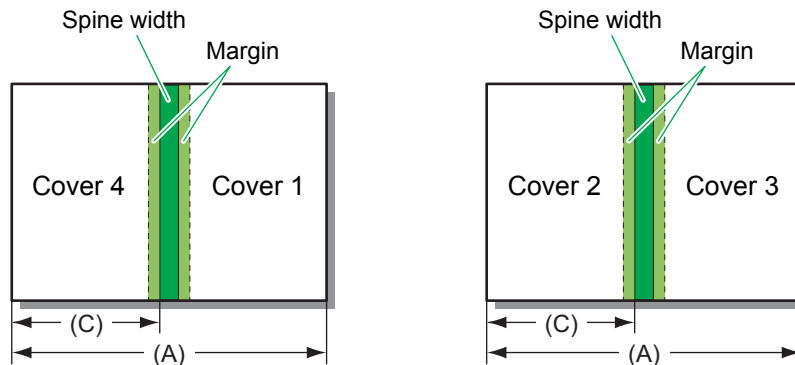
Register the paper size in advance depending on the application you use. If not registered in advance, the size of the cover sheet will automatically be configured as a regular paper size.

The following condition must be satisfied for the cover sheet width:

"Length of cover sheet (A)" \geq "Length of body pages (C) \times 2 + Spine width"

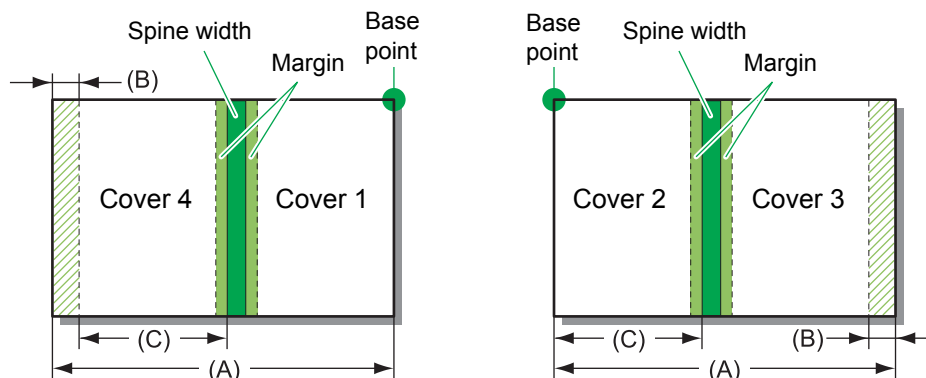


- Make the original data in the finished size. The cut-off part (cut-off area) and the positioning (base point) are not required.



- When performing perfect binding via a printer driver compatible with PostScript 3 (if the optional print controller has been installed), create the original upon adding a cut-off area (B).
- For Cover 1 and Cover 4, arrange the layout with the upper right corner as a base point.
- For Cover 2 and Cover 3, arrange the layout with the upper left corner as a base point.

"Length of cover sheet (A)" \geq "Length of body pages (C) \times 2 + Spine width + Cut-off area (B)"



1 On the [Environment] tab, register the original size of the cover including the spine width to [Custom Paper Entry].

For more information on the registration method of paper size, see the guides of the ComColor GD Series printer.

2 Select the original size of the cover sheet.

The irregular paper size registered in Step 1 is added to the paper size of the original creating application.



- If either of the following images exist within 5 mm (7/32") from the cover binding margin, the glue will not fix and cause the body pages to peel off easily. Please be careful when you create the cover.
 - Solid black, thick color
 - A ruled line thicker than 3 pt
- To figure out the spine width, make a sample booklet in advance to measure the thickness with the decided paper and the number of pages for binding.

Performing Perfect Binding

The flow of operations is as follows.

1 Display the printer driver screen.

2 Check the printer name, and click [Properties] or [Details].

The button names above may vary depending on the application.

3 In the [Finishing] tab, place a check in [Perfect Binding].

Placing a check in [Perfect Binding] activate [Details].

4 Make the settings if required.

For more information on the available item, see the [Finishing] tab.

5 Click [OK].

The screen returns to the printer dialog box.

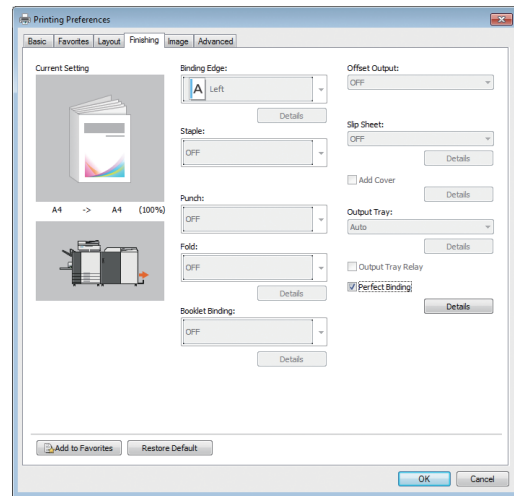


• If the [Collate] check box in the print dialog box has been selected, remove the check. If the check is not removed, the data will be sent from the computer to the printer for as many times as the number of copies that is specified.

6 Click [Print] or [OK].

Perfect binding starts.

[Finishing] Tab



Perfect Binding

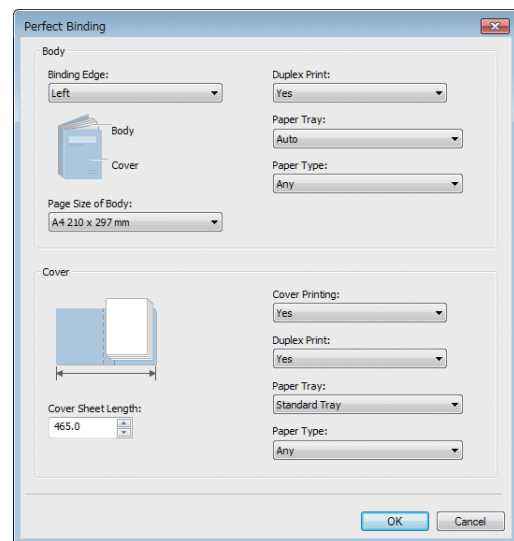
To perform perfect binding, put a check mark on [Perfect Binding].

Click [Details] to display the [Perfect Binding] dialog box.

In the [Perfect Binding] dialog box, you can separately configure the paper, type, and size for the cover sheet and the body pages.



• All the other items on the [Finishing] tab and buttons will not be available.



■ Binding Edge (body pages)

Select the binding side of the booklet.

An image of a booklet bound at the selected position will be displayed.

[Left] / [Right]

■ Page Size of Body

Select the body page size of the booklet.

■ Duplex Print (body pages)

Select whether to use duplex printing for the body pages.

[Yes] / [No]

■ Paper Tray (body pages)

Select the feed tray where the body page sheet is set.

[Auto]

The tray is automatically selected depending on the details configured for the paper type and size of the body pages.

[Feed Tray1] - [Feed Tray3]

Select to use the specified feed tray.

[Standard Tray] or optional [High Capacity Feeder]

Select to use the standard tray.

■ Paper Type (body pages)

[Any]

Select a feed tray in accordance with the details configured for [Page Size of Body]. Sets to the paper type of the compatible feed tray or [Default Paper Type of "Any"] of the [Environment] tab.

[Plain]

[IJ Paper] / [Matt Coated]

Select one of these when using IJ Paper or similar paper.

[High-quality]

[Card-IJ]

■ Cover Sheet Length

Set the length (long side) of the cover sheet settings.

Specify the paper length (including the cut part) set in the feed tray of the printer.

■ Cover Printing

You can bind up a booklet using a printed cover and set whether or not to print the cover sheet.

[Yes]

The cover sheet and body pages are printed and bound.

[No]

Only body pages are printed. On the model without the feed tray, a printed cover sheet is fed from the cover sheet inserter and bound.

■ Duplex Print (cover sheet)

Select whether to use duplex printing for the cover sheet.

[Yes] / [No]

■ Paper tray (cover sheet)

Select the feed tray where the cover sheet is set. The selection items will vary depending on the settings of [Page Size of Body] and [Cover Printing].

[Feed Tray1] - [Feed Tray3]

Select to use the specified feed tray.

[Standard Tray] or optional [High Capacity Feeder]

Select to use the standard tray.

[Cover Sheet Inserter]

Select to use the cover sheet inserter.

■ Paper Type (cover sheet)

Set the paper type of the cover sheet. The adjustment of ink amount and the image processing for the selected paper type are performed when printing. For more information, see "Paper type (body pages)".



• You cannot select the same feed tray for the cover sheet and body pages. Select a different feed tray for each one depending on the paper type and size.

• For [Cover Sheet Length], set the long side length of the cover sheet in the feed tray. The cover length cannot be set shorter than the total of the short sides of two body pages and the spine width.

• Whether or not to cut the excess part of the cover sheet is determined based on the setting for [Cover Cutting]. The setting for whether to cut the cover sheet can be changed with the Admin Menu settings. (p. 1-12 "Cover Settings for the Perfect Binder")

Operations of the Binding Job

Settings in regard to the list of jobs being processed by the printer and the Perfect Binder are operated from the printer. This section describes the job which the perfect binding is set (binding job).

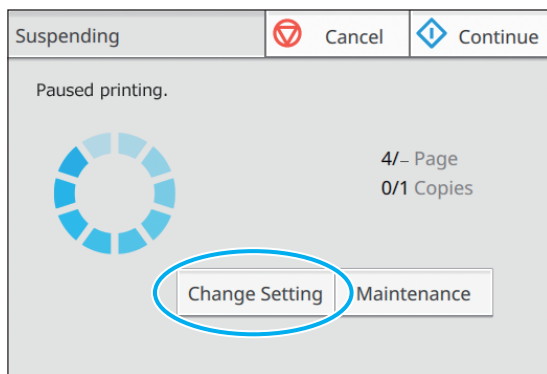
Changing the Settings during Printing

1 Press the [Stop] key on the printer.

The [Suspending] screen is displayed.

2 Touch [Change Setting].

The [Change Setting] screen is displayed.



3 Changing the settings.

You can change the following settings.

- Slow Printing
- Print Density
- Body Sheet Tray
You can select the tray for cover sheet and body pages or set the paper size and type.
- Image Position

4 Touch [Close].

5 Touch [Continue].

Printing the configured job begins.



- For more information on the setting items and method, see the guides of the ComColor GD Series printer.
- The [Body Sheet Tray] can be used only on the [Change Setting] screen. The setting cannot be changed from the [Waiting Job List] screen.

Changing the Settings of a Waiting Job

The settings of a perfect binding job can be changed from the Waiting Job List on the printer.

1 In the [Home 1] screen of the printer, touch [Print].

2 Select the job.

3 Touch [Change Setting] in the sub menu.

You can change the following settings.

- Slow Printing
- Print Density
- Image Position

4 Touch [Close] and then press the [Start] key.

Setting the Binding Functions

On the [Maintenance] screen of the printer, you can check the temperature of the glue unit in the Perfect Binder. Also, from the [Home 2] screen, you can configure the functions for manual binding.

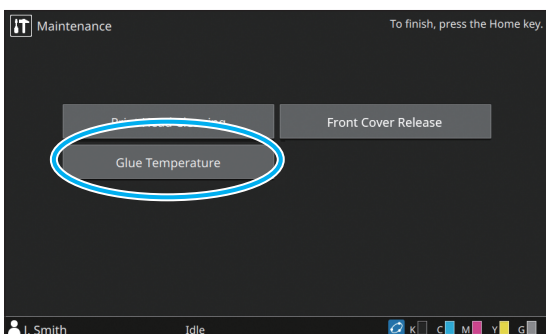
Glue Temperature

You can check the status of the glue unit (glue and glue tank) before sending a binding job. The binding job will not start if the glue unit is not yet at an appropriate temperature. If the glue is too cold, touch [Preheat].

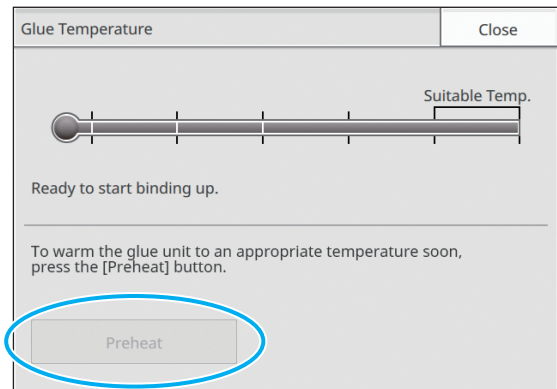


- It may take a long time to warm up the glue unit to the suitable temperature. It is recommended to confirm the glue unit temperature before sending the perfect binding job.
- On the [Glue Temperature] screen, the glue unit temperature is indicated with the bar (five levels) and message.
- All jobs sent to the printer are not printed until the warming-up perfect binding job is finished.

1 On the [Maintenance] screen of the printer, touch [Glue Temperature].



2 If the glue temperature is low, touch [Preheat].



- Touch this button in a state where the front, side cover, and the cover sheet inserter are closed. When the cover is opened, you cannot touch the [Preheat].
- When the Perfect Binder is in the binding mode, you cannot use the [Preheat].
- This function can also be configured with the RISO Console.

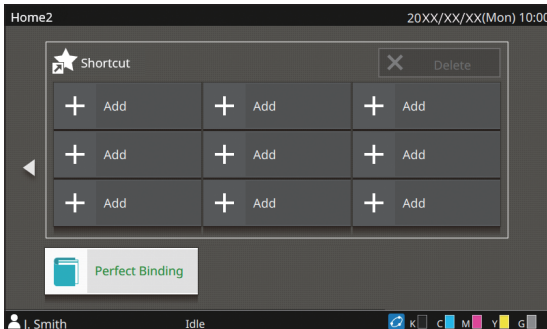
Manual Perfect Binding

Load the printed cover and body pages into the Perfect Binder and create the booklet offline. For manual binding, load one cover sheet and one set of body pages.

- If either of the following images exist within 5 mm (7/32") from the cover binding margin, the glue will not fix and cause the body pages to peel off easily. Please be careful when you create the cover.
 - Solid black, thick color
 - A ruled line thicker than 3 pt

- It may take a long time to warm up the glue unit to the suitable temperature. It is recommended that the temperature of the glue tank is checked before performing a perfect binding job.

1 In the [Home 2] screen of the printer, touch [Perfect Binding].



2 Select the size of the paper for the body pages and touch [OK].

3 Load the cover and body pages into the Perfect Binder and touch [OK] on the confirmation screen.

Alternatively, press the [Start] key.

- With manual binding, all of the papers loaded into the body sheet stacker are bound into a single booklet. Load one booklet amount of body pages.

The binding starts. When completed, the confirmation screen is displayed.

- When the glue temperature is low, the warming up starts. When it becomes the stand-by mode, the binding starts automatically.

4 Touch [Completed] on the confirmation screen.

- To continue with manual binding, load the cover and body pages into the Perfect Binder and touch [OK].
- To perform [Manual Binding] with different paper size, repeat the step 2 to 4.

Admin Menu Settings

In the "Admin Menu Settings", you can change the environment settings related to the Perfect Binder and the default value. This section describes the settings related to the Perfect Binder and cover sheets.



- For more information on the administrator mode and methods of the "Admin Menu Settings", see the guides of the ComColor GD Series printer.
- Admin Menu settings related to the Perfect Binder can be configured from both the operation panel and the RISO Console.

Perfect Binder Settings

Set whether to recover the Perfect Binder in the [Sleep] mode or the [Warming up] mode when the [Power] key of the printer's operation panel is pressed or when recovering from the power-saving mode.

You can also set the transition time until the unit enters the cooling down mode, which lowers the heater temperature, or the sleep mode which saves power consumption.

[Sleep] / [Warming up]

Specify the condition of the Perfect Binder when power is turned on. (Factory setting [Sleep])

[Cool-down transition time]

Value: 1 through 60 min. (Factory setting 10 min.)

[Sleep transition time]

Value: 1 through 60 min. (Factory setting 10 min.)



- Even during the cooling down mode and the sleep mode, information can be retrieved from the printer. When the Perfect Binder receives a job from the printer, the Perfect Binder goes to the warming up mode.
- To save the power consumption of the Perfect Binder, set to [Sleep]. However, it takes a long time to move to the binding mode.
- If the status of when the power is turned on is set to [Warming up], you can start a binding job without having to wait.
- Depending on the transit time to the cooling down or sleep mode, the power consumption can be saved by moving to the sleep mode, instead of the cooling down mode from the binding mode. However, moving to the cooling down or sleep mode is disabled.

1 In the [Admin Menu] screen of the printer, select [Printer] - [Perfect Binder].


2 Set the condition when power is turned on.

3 Set the transit time to each mode.

4 Touch [OK].

Cover Settings for the Perfect Binder

You can cut off the surplus area of the cover sheet. To cut off the cover, set the cover cutting position and gluing position.

- 

 • The values set in [Perfect binder; Cover] are saved until the settings are changed. Confirm the cutting position and gluing position with the test print and adjust them.

- While processing the binding job, change [Perfect binder; Cover] from the RISO Console so that the finishing of the processing job is changed. Before changing the setting, confirm the job setting of the user who has sent the job or wait until the binding job is finished.

[Cover Cutting]

Set whether or not to automatically cut off the long side of the cover sheet.

Value: [OFF] / [ON] (Factory setting [ON])

[Cover Cutting Position]

Set the cutting position of the long side of the cover sheet.

Value: -30.0 through +30.0 mm (1 3/16") (Factory setting 0.0 mm)

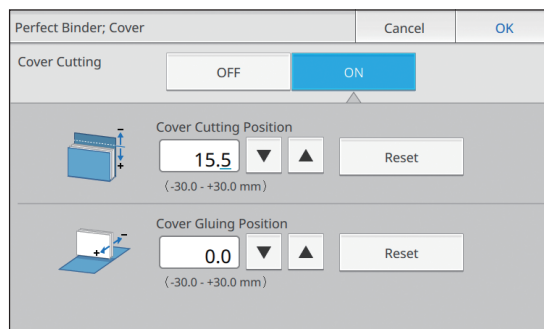
[Cover Gluing Position]

Set the gluing position of the long side of the cover sheet.

Value: -30.0 through +30.0 mm (1 3/16") (Factory setting 0.0 mm)

1 In the [Admin. Settings] screen of the printer, select [Printer] - [Perfect Binder; Cover].

2 Touch [ON] and set [Cover Cutting Position] and [Cover Gluing Position].



For [Cover Cutting Position], every time the [▲] is touched, the cutting position will move toward the spine by 0.1 mm (0.004") and increase the area that is cut. Every time the [▼] is touched, the cutting position will move away from the spine by 0.1 mm (0.004") and decrease the area that is cut.

For [Cover Gluing Position], every time the [▲] is touched, the gluing position will move to the left by 0.1 mm (0.004"). Every time the [▼] is touched, the gluing position will move to the right (towards the cutting position) by 0.1 mm (0.004").



- There may be cases when it is not possible to configure the maximum settings (±30 mm (1 3/16")) for [Cover Cutting Position] and [Cover Gluing Position]. Depending on the paper, the maximum value is set automatically.

3 Touch [OK].

Maintenance

This section explains how to replace consumables, how to maintain the unit, how to interpret error messages, and the measures to be taken in the event of an error.

Replacing the Consumables p. 2-2

This section describes how to replace the glue sheet and dispose of cutting trash.

Cleaning the Unit..... p. 2-7

This section describes how to clean the shaping unit.

Troubleshooting p. 2-8

This section explains how to interpret the LED error indicators and error messages along with measures to be taken in the event of an error.



Replacing the Consumables

For comfortable use of the Perfect Binder, the daily maintenance is important. This section describes the replacement of glue sheet, secondary filter, and dispose of cutting trash.



- This unit warms up the glue, so that the glue unit part becomes high temperature. Body contact may cause burn. The side cover will not open until the temperature inside of this unit is lowered. Please wait until this unit cools down.

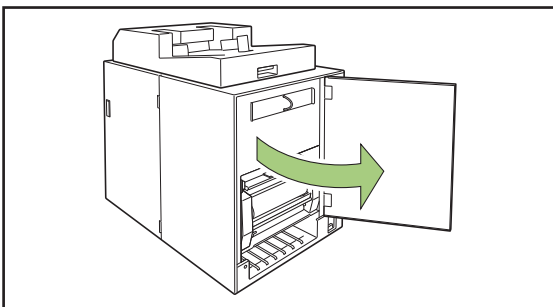


- When the remaining amount of the glue is low, a message is displayed on the printer's operation panel. Check your stock.
- For more information on the maintenance of the printer, see the guides of the ComColor GD Series printer.

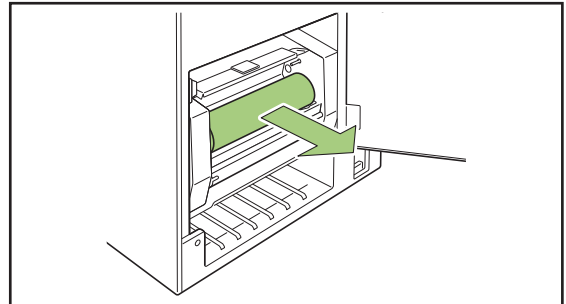
Replacing the Glue Sheet

When the glue runs out, the message prompting to replace the glue sheet is displayed on the printer's operation panel and the binding is stopped. Replace the glue sheet.

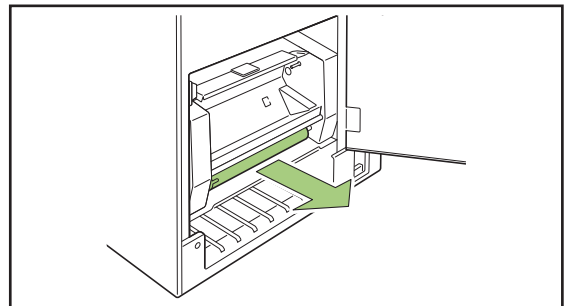
1 Open the side cover.



2 Remove the finished glue sheet core.

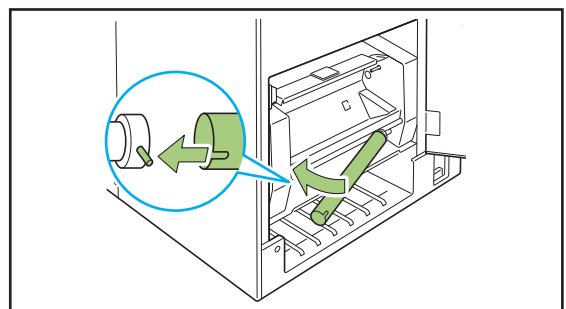


3 Remove the finished rolling core.



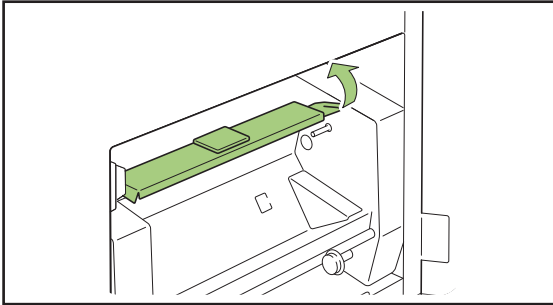
4 Set the new rolling core.

Align the projection of the Perfect Binder and the notch of the core, and fit them.

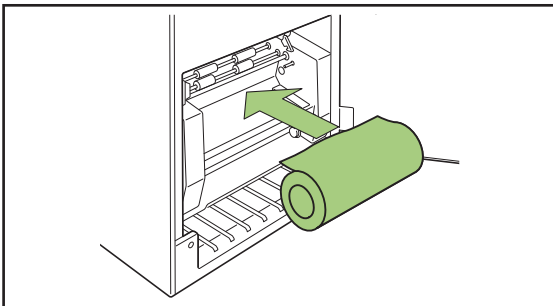


5 Lift the B9 lever to open the glue sheet cover.

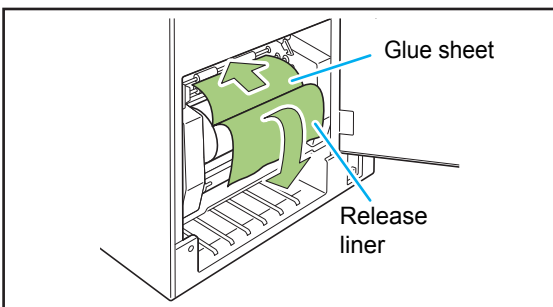
Remove the remaining piece of the glue sheet.



6 Set the new glue sheet.

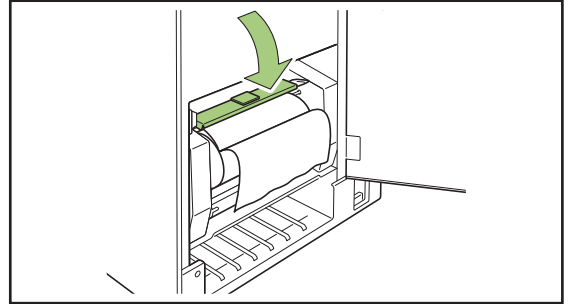


7 Remove the release liner of the glue sheet and insert the end of the glue sheet into the gap between the rollers.



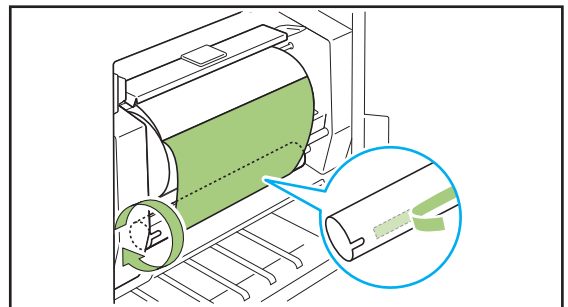
8 Press the B10 lever to close the glue sheet cover.

If the glue sheet is loosed, roll the glue sheet core to tighten the sheet.

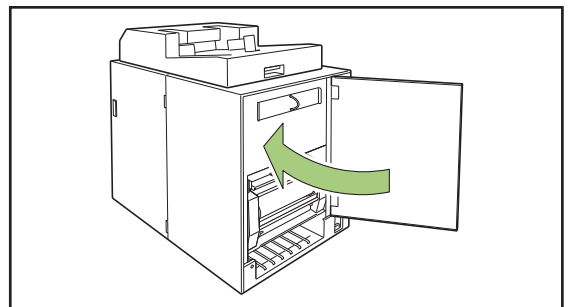


9 Remove the double-sided tape on the rolling core and paste the end of the release liner to the rolling core.

If the release liner is loosed, roll the rolling core in the arrow direction to tighten the film.



10 Close the side cover.



- Dispose finished glue sheets, glue sheet core, and rolling core film according to the regulations in your local community.

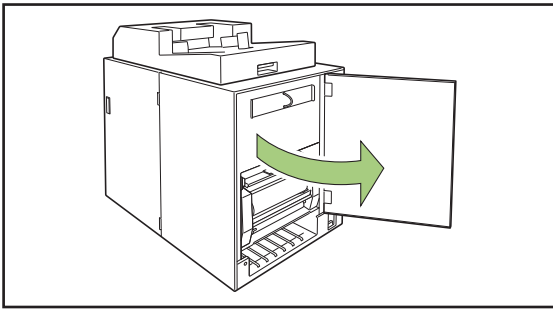
Replacing the Filters

When the (secondary/primary) filter is deteriorated, the glue emits an odor from the Perfect Binder when the glue is warmed up. In this case, replace the filter.

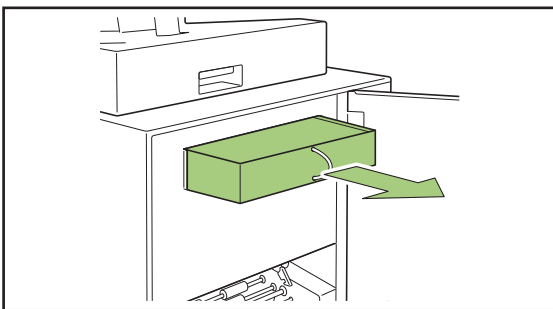


- Replace the filters in the following periods.
 - Secondary filter: after using 12 glue sheets or after approx. one year (whichever comes first)
 - Primary filter: after using two glue sheets
- The check sheet contained with the filters helps you know the time for replacement. Write the start date and frequency of replacement to manage replacement of the filter.

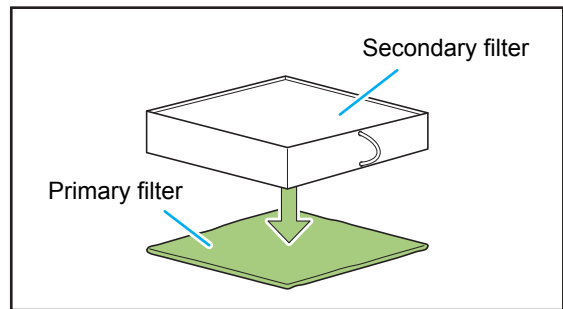
1 Open the side cover.



2 Remove the filter from the Perfect Binder.



3 Remove the primary filter from the secondary filter.

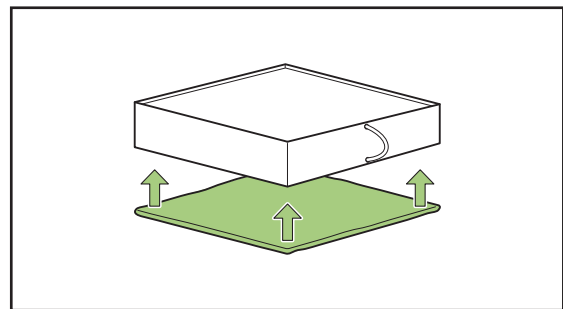


- The ingredients of glue adheres to the used primary filter. Be careful not to contact them to your hands or clothes.

4 Set the primary filter to the secondary filter.

Paste the primary filter on the (four) corners of the secondary filter.

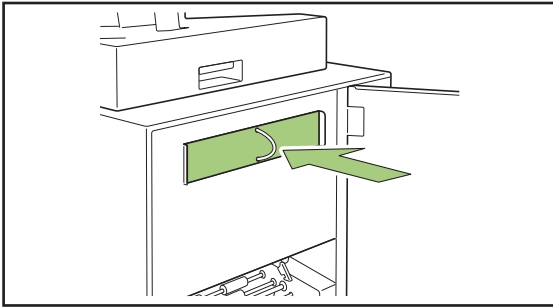
When replacing only the primary filter, set the new one to the preexisting secondary filter.



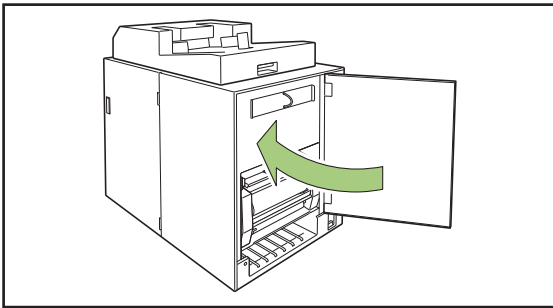
- To know the time for replacement, it is recommended to paste the check sheet on the front of the secondary filter.

5 Set the filter in the Perfect Binder.

Put the primary filter face down.



6 Close the side cover.

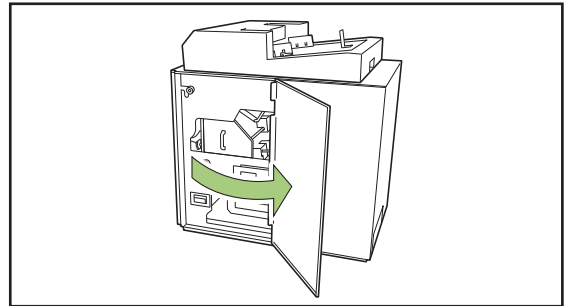


- Dispose used filters according to the regulations in your local community.
- Depending on the binding frequency or usage environment, the filter may not prevent the odor emission in the standard replacement period. In such case, replace the filter even if it is still not time for a scheduled replacement.

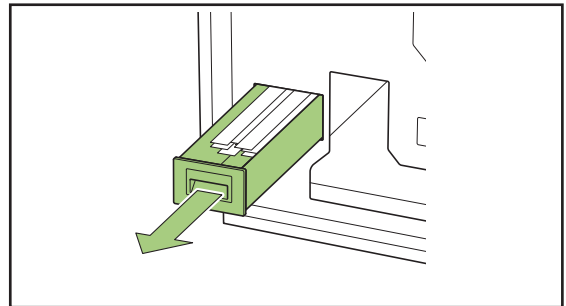
Disposing the Cutting Trash

When the cutting trash (dusts) fills in the cover sheet dust box, the message prompting to dispose the cutting trash is displayed and the binding is stopped. Dispose the cutting trash.

1 Open the front cover.

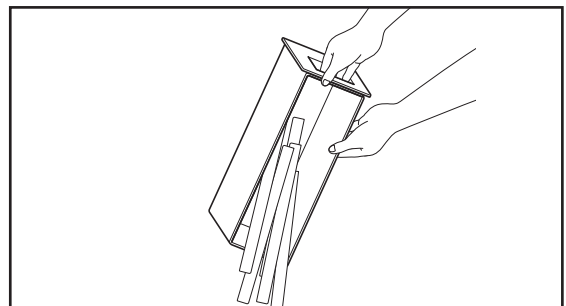


2 Pull the cover sheet dust box out, toward the front.

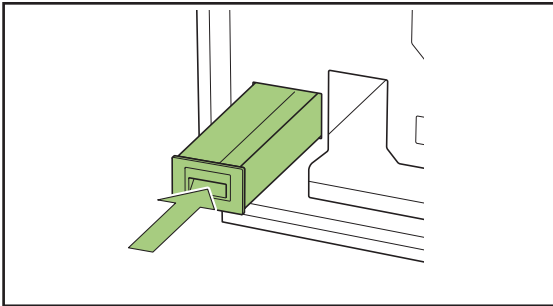


3 Dispose all of cutting trash.

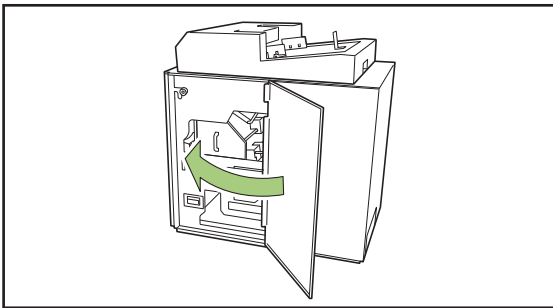
Check that no cutting trash is left in the cover sheet dust box.



4 Push the cover sheet dust box back to the unit.



5 Close the front cover.



Cleaning the Unit

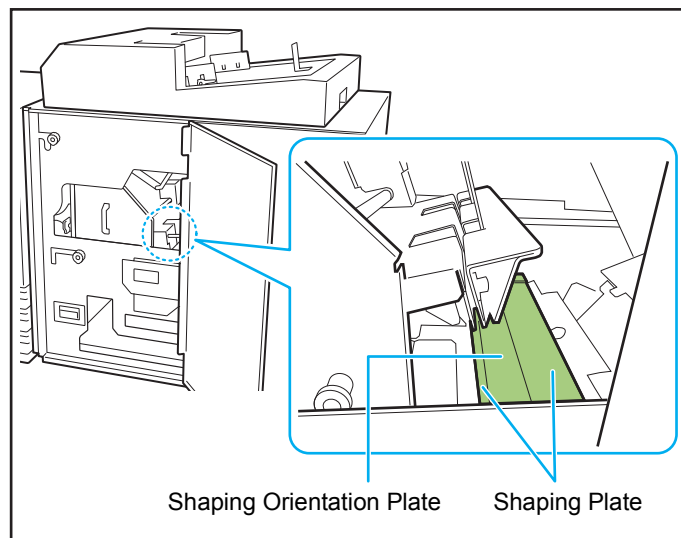
Maintenance is required for keeping up the performance of the Perfect Binder and safety use. If the glue adheres on the shaping unit inside the unit, the booklet may have smudges. It is recommended that regular maintenance of the unit is performed.

CAUTION

- When cleaning the unit, open the front cover and turn off the main power switch of the unit.
- Do not perform tasks other than that which is described (e.g. adjustment, repair, etc.).
For adjustment or repair, contact your dealer or authorized service representative.

■ Cleaning the shaping unit

Wipe the surface of shaping orientation plate and shaping plate with a cloth soaked with neutral detergent.



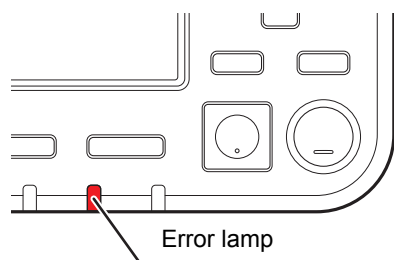
Troubleshooting

This chapter describes the reasons why the error lamp flashes on the operation panel and messages appear on the touch panel, and what action to take.

When the message is displayed, resolve the problem following the instructions in the displayed message.

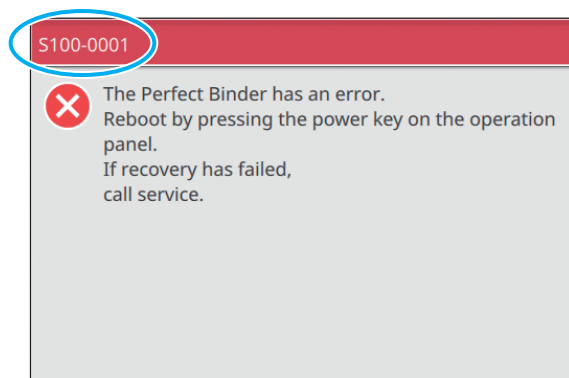
Error lamp of the printer's operation panel


When an error occurs, the error lamp flashes in red.



Error messages on the printer's touch panel

A description of the problem and instructions for resolving the problem are displayed, as shown in the illustration below.



-  An alphanumeric error code is displayed at the top of the error message screen. Be sure to mention this error code when contacting your service representative.
 - The first letter of the error code indicates the type of problem.
 - The numbers vary depending on the location of the problem.

Examples of the Messages

The following are examples of messages. Follow the instructions in the displayed messages to resolve the problems.



- [Cancel] and [Continue] may be displayed on some message screens. Touch [Cancel] to stop the current operation. Touch [Continue] to resume the current operation.

<S000-0000> Service Call

These error messages are displayed when inspection or repair is required by a service representative.

Message	Action to Take
The Perfect Binder has an error. Reboot by pressing the power key on the operation panel. If recovery has failed, call service.	An error occurred in the Perfect Binder. (1) Press the [Power] key on the operation panel to turn off the power and the power back on again. (2) If the system does not recover, contact your dealer or authorized service representative. Mention the error code displayed on the touch panel at that time.

<U000-0000> Unit Error

These error messages are displayed when repair is required by a service representative.

Message	Action to Take
The Perfect Binder has an error. Press the Reset key or Reboot by pressing the power key on the operation panel. If recovery has failed, call service.	An error occurred in the Perfect Binder. (1) Press the [Reset] key on the operation panel. (2) If the system does not recover, press the [Power] key to turn off the power and then back on. If either of the two recovery operations above does not help solve your error, contact your dealer or authorized service representative. Mention the error code displayed on the touch panel at that time.

<X000-0000> Paper Jam

These error messages are displayed when there is a paper jam.

Message	Action to Take
Buttons indicate paper jam locations. To display how to fix, touch the button.	Paper is jammed inside the printer or Perfect Binder, or no paper or multiple sheets of paper fed. Touch the button indicating the location of the paper jam to display how to remove the jammed paper, and follow the procedure displayed on the touch panel to remove the paper. For more information, see "Paper jam" (p. 2-13).

Chapter 2 Maintenance

<Y000-0000> Consumable Error

These error messages are displayed when it is time to replace consumables or parts that require periodical replacement.

Message	Action to Take
There is no glue sheet in the Perfect Binder. Add a glue sheet.	There is no more glue on the glue sheet in the Perfect Binder. Replace the glue sheet. For more information on how to replace the glue sheet, see "Replacing the Glue Sheet" (p. 2-2).
The Perfect Binder is full of cutting trash. Open the front cover of Perfect Binder and dispose the cutting trash.	Dispose all cutting trash in the cover sheet dust box of the Perfect Binder. For more information, see "Disposing the Cutting Trash" (p. 2-5).

<Z000-0000> Check Settings Error


These error messages are displayed when the cover is not completely closed.

Message	Action to Take
Close the front cover of Perfect Binder.	The front cover (or side cover) of the Perfect Binder is not completely closed. Securely close it.
Close the cover sheet inserter of Perfect Binder.	The cover sheet inserter of the Perfect Binder is not properly set. Set the cover sheet inserter properly.

<W000-0000> Warning

These warning messages are displayed when there is no more paper, the output tray is full, a peripheral device is not connected, or there is another problem.


Message	Action to Take
Job name: This printing job is not acceptable because Perfect Binder is unavailable. Printing without using Perfect Binder is possible. (The job has been deleted.)	Turn off the power of the Perfect Binder and then on again. There is a sequence to turning the power of the Perfect Binder on. For more information on turning the power on, see "Power Supply" (p. 21). If the recovery operations above does not help solve your error, contact your dealer or authorized service representative. Touch [Close] to continue using the printing functions other than for binding.
Set paper with a size suitable for the cover of the perfect binding in the tray below. Tray: Size:	There is no paper in the tray for cover sheets. Otherwise, paper of a different size has been loaded. Load the right kind of paper in the specified tray.
This cover paper is not allowed for perfect binding. Load the appropriate size of paper in the following tray. Tray: Size:	

Message	Action to Take
<p>Binding is not possible because the length of the body and cover of perfect binding is not consistent. Check the settings. (The job has been deleted.)</p>	<p>The combination of the paper sizes for the body pages and the cover is incorrect as different size paper from the original size is loaded in the feed tray. Load cover paper of the same size as that of the body pages.</p>
<p>Binding is not possible because the Perfect Binder has detected an error in the thickness of the body. Check the settings. (The job has been deleted.)</p>	<p>With the original data that has been sent, the number of pages is too few and the width of the spine is not enough for binding the cover. Otherwise, the body is too thick for binding the cover. Check the original data. For more information on the available width, see "Specifications" (p. 3-2).</p>
<p>Set paper for the body of the perfect binding in the tray below. Tray: Size:</p>	<p>There is no paper in the tray for the body pages. Otherwise, paper of a different size has been loaded. Load the right kind of paper in the specified tray.</p>
<p>Some finishers are off. To use the finishers, turn them on, and turn the power on with the power key on the operation panel.</p>	<p>The power of the Perfect Binder is off. Turn on the power of the Perfect Binder. There is a sequence to turning the power of the Perfect Binder on. For more information on turning the power on, see "Power Supply" (p. 21).</p>
<p>The maximum body size allowed for perfect binder stacking has exceeded. Check the settings. (The job has been deleted.)</p>	<p>Original data exceeds the maximum stacking capacity. (1) Touch the [Close]. (2) Edit the data and send it again. For more information on the binding capacity (thickness), see "Usable Paper" (p. 12).</p>
<p>Double feed might have occurred. To continue, check the pages after the binding is completed.</p>	<p>Paper is jammed in the body sheet stacker. Remove the jammed paper and touch [Cancel] or [Continue]. If the printing is continued, check if the booklet has misbound or not.</p>
<p>Cover width that cannot be handled by the Perfect Binder has been detected. Check the settings. (The job has been deleted.)</p>	<p>The booklet cannot be bound with the current cover size (width). Touch [Close] and send original data with the available cover size. For more information on the correct combination of the cover and body pages, see "Usable Paper" (p. 12).</p>
<p>Paper width that cannot be handled by the Perfect Binder has been detected. Check the settings. (The job has been deleted.)</p>	<p>The booklet cannot be bound with the current body pages size (width). Touch [Close] and send original data with the available body pages size. For more information on the correct combination of the cover and body pages, see "Usable Paper" (p. 12).</p>
<p>The output tray of the Perfect Binder is full. Remove the booklets. Pressing the ejection button will eject the booklets.</p>	<p>The booklets ejected to the Perfect Binder's output tray exceeds the maximum stacking capacity. Remove the booklets and press the eject button.</p> <p> • Some booklets may be left inside the unit. Press the eject button until no booklet is ejected.</p>

Chapter 2 Maintenance

<I000-0000> Information

These messages are displayed when unit maintenance is required.

Message	Action to Take
The glue sheet of the Perfect Binder must be replaced soon. Call service to prepare a new glue sheet.	The remaining amount of glue sheet is low. Check your glue sheet stock. Place an order if required.
	 • This message does not mean that the binding is immediately disabled. Depending on the usage condition, contact your dealer or authorized service representative.

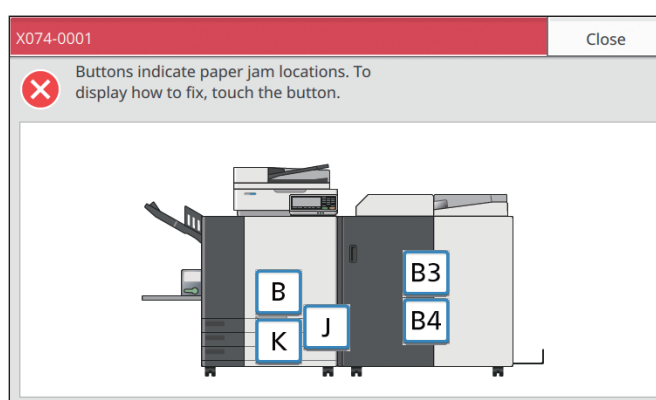
Paper jam

If a paper jam occurs in the Perfect Binder, the error lamp on the operation panel flashes in red, and the paper jam location is displayed on the touch panel. Follow the procedure displayed on the touch panel to remove the jammed paper and resume printing.

CAUTION

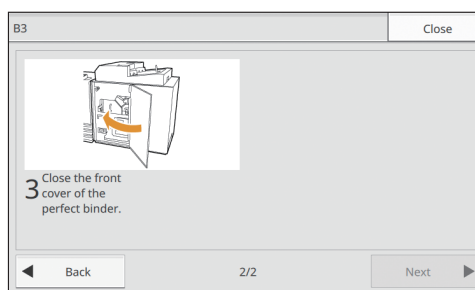
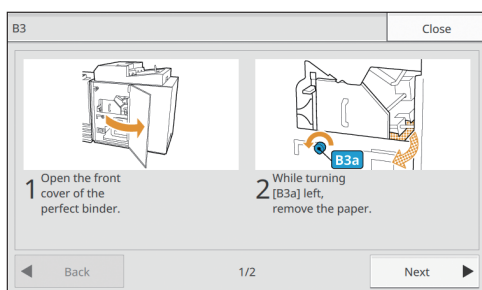
Be careful of protruding parts and metal terminals when inserting your hand in the machine, such as when removing jammed paper. Otherwise, an injury might occur.

- 1 Touch the alphanumeric button indicating the location of the paper jam to display how to remove the jammed paper.



- 2 Follow the procedure displayed on the touch panel to remove the paper.

Touch [Back] or [Next] to display the previous or next page.
(The screenshots below are examples of the display when there is a paper jam.)



- 3 Touch [Close].

The display will return to the screen of Step 1. Check that the button indicating the location where the paper was removed has disappeared.

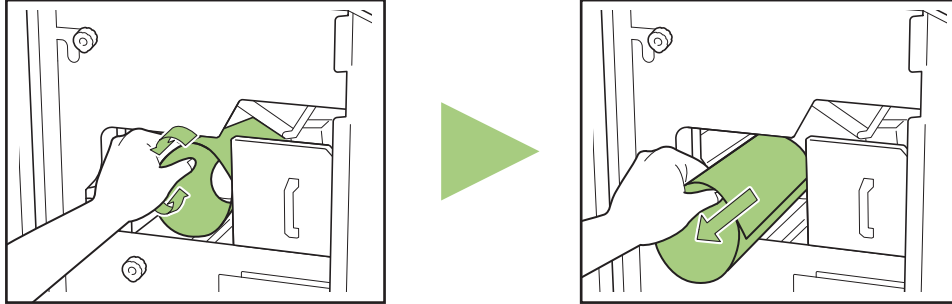
When all of the jammed paper is removed and the cover is closed, the error screen closes and the previous screen is displayed.



- As long as alphabet buttons are displayed on the screen, paper still remains in the indicated locations. Repeat Steps 1 to 3 to remove the jammed paper.

Precautions when Removing Jammed Paper

- Slowly and carefully remove the jammed paper. Be careful not to leave pieces of paper in the Perfect Binder.
- When removing the paper from the unit, roll the paper a little at a time in the output direction inside the unit, and then remove the paper toward you.



- Paper is transferred through the printer at a high speed during printing. Therefore, if a paper jam occurs when printing multiple sheets of paper, the sheet of paper that caused the paper jam as well as other sheets of paper may remain in the transfer path. When using an internal dial to remove jammed paper, turn the dial four or five times after removing the first sheet of paper, to check for other sheets of paper.

Other problems

? The Perfect Binder does not operate at all.

- Make sure that the main power of the printer and Perfect Binder has been turned on.
- Make sure that the power plug of the printer and Perfect Binder has been properly inserted into the electrical outlet.
- Make sure that the power cords have been securely connected to the printer and Perfect Binder.
- Make sure that the power breaker has not been tripped.
- Turn off the power of the printer and Perfect Binder and then turn on again.
If the Perfect Binder does not recover, contact your dealer or authorized service representative.

? The setting buttons of the Perfect Binder is not displayed on the printer's touch panel.

- Make sure that the main power of the Perfect Binder has been turned on.

? It takes a long time to start binding from when the binding job is sent.

- If the temperature of the glue and glue tank is not suitable, the heater warms up the glue until it reaches to the suitable temperature and then the binding begins. Preheat the glue to the suitable temperature, so that the binding begins sooner. For more information on how to check the glue temperature of the glue unit, see "Glue Temperature" (p. 1-9).

? The booklet is not bound nicely and the spine is wavy / the completed booklet is difficult to open / body pages fall off from the spine of the booklet.

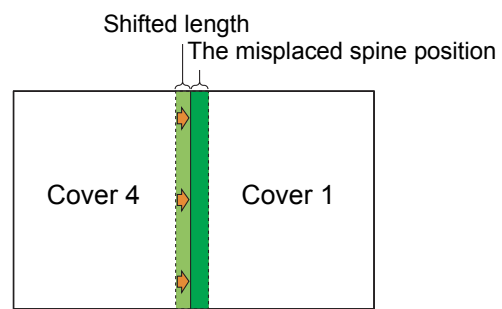
- Check the paper texture. Use the short-grained paper for the cover and the long-grained paper for the body pages so that the paper texture becomes parallel to the long side of the booklet. For more information, see "Paper texture" (p. 14).

? The cover sheet length is shorter than that of the body pages and the body pages cannot be bound by the cover sheet.

- The cover sheet length may be too short to bind the body pages because the body pages are thicker due to usage of glue. Remake the original (booklet) data adding the necessary length (length shortage) to [Spine Width] for binding.
- The cover cutting position or gluing position may not be appropriate.
For more information on the cover cutting position or gluing position, see "Cover Settings for the Perfect Binder" (p. 1-12).

? The spine position of the booklet is misplaced to the right or left.

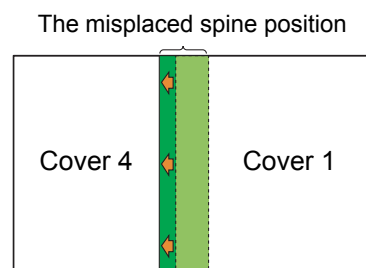
- When the spine position is shifted to the right side (Below is an example of left binding.) :



The appropriate spine position

Remake the original (booklet) data adding the shifted length to [Spine Width].

- When the spine position is shifted to the left side (Below is an example of left binding.) :



The appropriate spine position

Remake the original (booklet) data reducing the shifted length from [Spine Width].



- The cover layout changes depending on the binding side.

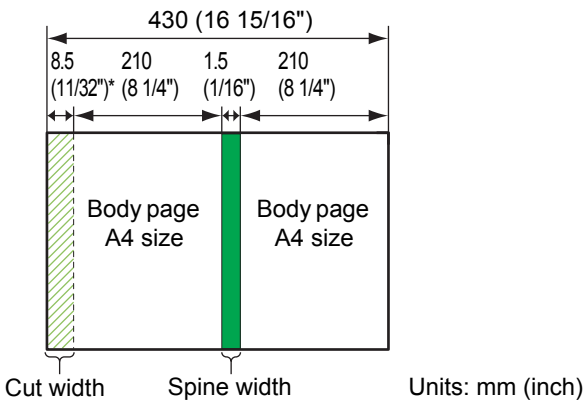
? The appropriate value for the size (length) of the cover sheet is unknown.

- The optimal length of the cover sheet when cutting the cover sheet is as follows:

For the length of the coversheet, take into consideration the thickness of the glue and specify a size that is larger than the actual calculated value within a range that does not exceed the maximum value for each paper size.

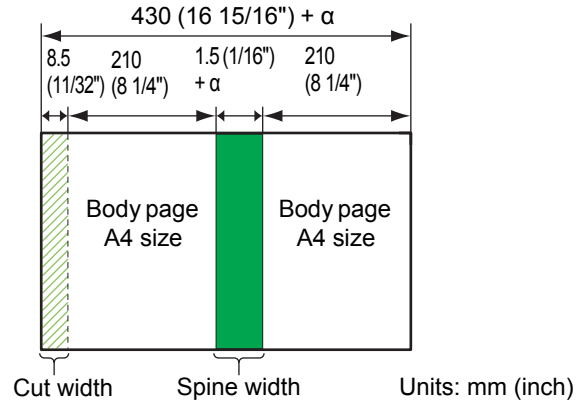
Cover sheet (When cutting off the surplus part)	For A5 binding: 210 mm × 307 mm - 342 mm (8 1/4" × 12 3/32" - 13 15/32")
	For B5 binding: 257 mm × 374 mm - 409 mm (10 1/8" × 14 23/32" - 16 1/8")
	For A4 binding: 297 mm × 430 mm - 465 mm (11 11/16" × 16 15/16" - 18 5/16")
	For Letter-sized binding: 279.4 mm × 441.8 mm - 476.8 mm (11" × 17 13/32" - 18 25/32")
Spine width	1.5 mm (1/16") - 30 mm (1 3/16")

- When the spine has a width of 1.5 mm (1/16") with A4 size paper
The length of the cover sheet ≥ Size of body pages × 2 + Spine width. The minimum value for the length of the cover sheet is 430 mm (16 15/16").



* 8.5 mm (11/32") is the average value of the width that is cut. However, there is a slight variance between each product.

- When the spine has a width of over 1.5 mm (1/16") with A4 size paper
The length of the cover sheet is the sum of the value when the spine has a width of 1.5 mm (1/16") + a value added to account for the thickness (+α).



- The maximum length of the cover sheet when leaving the surplus part is as follows:
Units: mm (inch)
For A5 binding:
0.5 × Spine width + 383 (15 3/32")
For B5 binding:
0.5 × Spine width + 417 (16 7/16")
For A4 binding:
0.5 × Spine width + 445 (17 17/32")
For Letter-sized binding:
0.5 × Spine width + 451 (17 3/4")

? The edges of the finished booklets are not aligned.

- As the position at which the cover sheet is cut differs depending on the length (lengthwise) of the cover sheet, the finishing of the binding will vary in cases when the length of the paper for the cover sheet set in the printer is inconsistent. Make sure that the paper for the cover sheet is of the same length and cut these all together.



- For more information on the troubles related to the print condition or printer, see the guides of the ComColor GD Series printer.
- For more information on the troubles related to the original data, see the "Application Guide".

This document provides specifications, an index, and explanations of consumables.

Specifications p. 3-2

This section explains the key specifications of the Perfect Binder.

Consumables p. 3-4

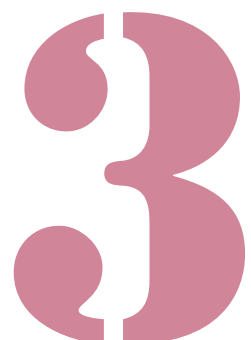
This section explains the types of consumables.

Index p. 3-6

Vorsichtsmaßnahmen p. 3-8

Vor Inbetriebnahme p. 3-12

Technische Daten p. 3-17



Specifications

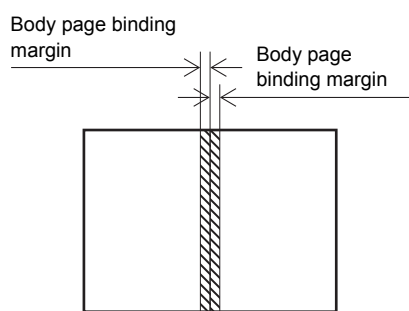
■ Specifications of the Perfect Binder

Basic/Binding Functions

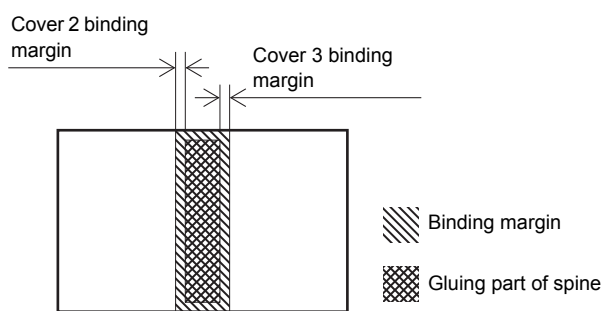
Model	Perfect Binder G10 (200) Perfect Binder G10 (120)	
Type	Perfect Binder	
Finishing Type	Side-Stitching	
Warming-Up Time	13 min. or less (at a room temperature of 23 °C)	
Binding speed ¹	ComColor GD9630/GD9631 when connected: 62 booklets/hour	
	ComColor GD7330 when connected: 48 booklets/hour	
Paper Size	Body page: A4-LEF, JIS-B5-LEF, A5-LEF, Letter-LEF	
	Cover sheet ⁵ (When cutting off the surplus part): A5: 210 mm × 307 mm - 342 mm (8 1/4" × 12 3/32" - 13 15/32") JIS-B5: 257 mm × 374 mm - 409 mm (10 1/8" × 14 23/32" - 16 1/8") A4: 297 mm × 430 mm - 465 mm (11 11/16" × 16 15/16" - 18 5/16") Letter: 279.4 mm × 441.8 mm - 476.8 mm (11" × 17 13/32" - 18 25/32") Cover sheet (When leaving the surplus part): A5: 210 mm × 298.5 mm - 398 mm (8 1/4" × 11 3/4" - 15 11/16") JIS-B5: 257 mm × 365.5 mm - 432 mm (10 1/8" × 14 3/8" - 17") A4: 297 mm × 421.5 mm - 460 mm (11 11/16" × 16 5/8" - 18 1/8") Letter: 279.4 mm × 433.3 mm - 466 mm (11" × 17 1/16" - 18 11/32")	
Paper Weight	Standard Tray	Body page: plain paper, recycled paper 52 g/m ² - 128 g/m ² (14-lb bond - 34-lb bond) (For A5-LEF, 64 g/m ² - 128 g/m ² (17-lb bond - 34-lb bond))
		Cover ⁶ : plain paper, recycled paper 80 g/m ² - 210 g/m ² (21-lb bond - 56-lb bond)
	Feed Tray	Body page: plain paper, recycled paper 52 g/m ² - 104 g/m ² (14-lb bond - 28-lb bond) (not available with A5-LEF)
		Cover ⁶ : plain paper, recycled paper 80 g/m ² - 104 g/m ² (21-lb bond - 28-lb bond)
Body Sheet Stacker	Body page: plain paper, recycled paper 52 g/m ² - 128 g/m ² (14-lb bond - 34-lb bond)	
Cover Sheet Inserter	Cover ⁶ : plain paper, recycled paper 80 g/m ² - 210 g/m ² (21-lb bond - 56-lb bond)	
Texture Direction (Paper Texture)	Cover	Short-grained paper (parallel to the short side)
	Body page	Long-grained paper (parallel to the long side)
Available Width (Binding Amount of Sheets)	1.5 mm - 30 mm (1/16" - 1 3/16") 15 - 500 sheets When using plain paper and recycled paper (85 g/m ² (23-lb bond)), 15 - 300 sheets Binding amount of sheets varies depending on the paper type.	
Binding Side	Long side only	
Output Capacity ²	30 copies (Max. 50 sheets for a copy)	
Essential Margin ³	Body page: Min. 5 mm (7/32")	
	Cover: Whole back side of spine, minimum 5 mm (7/32") on Cover 2 and Cover 3	
Power Source	Perfect Binder G10 (120) AC 100-120 V 12.0 A 50-60 Hz Perfect Binder G10 (200) AC 220-240 V 6.0 A 50-60 Hz	

Power Consumption	Max. 1,500 W
	Stand-by: 0.5 W or less (shutting off the AC power)
Operating Noise ⁴	70 dB(A) or less (when binding)
Operating Environment	Temperature: 15 °C - 30 °C Humidity: 40% - 70% RH (non-condensing)
Dimensions (W × D × H)	1,290 mm × 675 mm × 1,125 mm (50 25/32" × 26 9/16" × 44 5/16")
Weight	Approx. 220 kg (485 lb)
Safety Information	IEC60950-1 compliant, Indoor, pollution degree 2*, At an altitude of 2000 m or lower * The pollution degree of the usage environment due to dirt and dust in the air. Degree "2" corresponds to a general indoor environment.
Required Space with the Printer (W × D × H)	2,755 mm × 1,240 mm × 1,160 mm (108 7/16" × 48 13/16" × 45 21/32")

- 1 The per hour speed converted based on the time required for the 5th to 10th booklet to be completed when configured with the following: Type of paper - IJ paper; Concentration - standard; and Resolution - 300 dpi.
- 2 When using plain paper and recycled paper (85 g/m² (23-lb bond))
- 3 • Two-page spread on the body page



- Two-page spread on the cover



- 4 160 ppm when connected to the printer, binding A4-LEF
- 5 The length of the cover will vary depending on the thickness of the body pages to be bound. Paper with shorter length than body pages cannot be used.
- 6 If the thickness of the booklet (spine) will be 20 mm (25/32") or more, the use of paper that is 105 g/m² (28-lb bond) or heavier is recommended.

Consumables

It is recommended that you use the following consumables manufactured by RISO KAGAKU CORPORATION.

Consumable specifications and types are subject to change without notice.

For pricing information, contact your dealer or authorized service representative.

Types of Consumables

Item	Remark
Glue Sheet	Binds up approx. 600 booklets (A4 size, 5 mm (7/32") width)
Primary Filter	Replace after using two sets of glue sheets.
Secondary Filter	Replace after using twelve sets of glue sheets or after approximately one year. Replace at the timing of whichever comes first.

Notice for European Union Member States

RISO, the environment and the Waste Electrical and Electronic Equipment Directive "WEEE Directive"

What is the WEEE Directive?

The purpose of the WEEE Directive is to reduce waste and ensure Electrical and Electronic Equipment is recycled at the end of its useful life.



What does the crossed out wheeled bin symbol mean?

The crossed out wheeled bin symbol indicates this product must be disposed of separately to normal waste. Please contact your RISO service agent for information about disposal.

What does the solid bar symbol mean?

The solid bar under the crossed out wheeled bin indicates this product was put on the market after the 13th August 2005.

Who should I contact if I want more information about the WEEE Directive?

You should contact your local RISO service agent for more information.

Index

A

Admin Menu Settings 1-11

B

B10 lever 2-3
B9 lever 2-3
Binding data 18
Binding job 1-8
Binding process 17
Body page data 18
Body sheet stacker 15, 23
Booklet slot 15

C

Check settings error 2-10
Cleaning the unit 2-7
Consumable error 2-10
Consumables 11, 12, 3-4
Cooling down mode 19, 22
Cover 1 18
Cover 2 18
Cover 3 18
Cover 4 18
Cover cutting 1-12
Cover cutting position 1-12
Cover data 18
Cover gluing position 1-12
Cover settings for the perfect binder 1-12
Cover sheet dust box 15
Cover sheet inserter 15, 23
Cover sheet inserter open lever 15
Cover sheet size 12
Creating process of binding data 17

D

Disposing the cutting trash 2-5

E

Eject button 15
End guide 15
Error lamp 2-8
Error message 2-8
Examples of messages 2-9

F

Fiber 14
Filter 12
Front cover 15

G

Glue heater 19
Glue sheet 12, 15, 3-4
Glue sheet cover 15
Glue temperature 1-9

I

Information 2-12

L

Left binding 24, 25
Loading the body pages 23
Loading the cover sheet 23
Loading the paper (manual binding) 25
Lock lever 23
Long-grained paper 14

M

Main power switch 15
Manual perfect binding 1-10

O

Output tray 15

P

Paper feed path 20
Paper jam 2-9, 2-13
Perfect binder settings 1-11
Perfect binding 18
Preheat 1-9
Primary filter 3-4

R

Release liner 2-3
Replacing the consumables 2-2
Replacing the filter 2-4
Replacing the glue sheet 2-2
Restrictions 14
Right binding 24, 25
Rolling core 15

S

Secondary filter 15, 3-4
Service calls 2-9
Shaping unit 2-7
Short-grained paper 14
Side cover 15

Side guides 15
Sleep mode 19, 22
Slip sheet 18
Spine 18
Stand-by mode 19, 22
Status confirmation 22

I

Thickness of a booklet 18
Top binding 25
Types of consumables 3-4

U

Unit error 2-9
Usable paper 12

W

Warming up mode 19, 22
Warning 2-10

Vorsichtsmaßnahmen

ComColor GD Serie

Modell: Perfect Binder G10 (200)

MASCHINENLÄRMINFORMATION

Maschinenlärminformations-Verordnung 3. GPSGV:

Der höchste Schalldruckpegel beträgt 70 dB(A) oder weniger gemäß EN ISO 7779.



Hinweis: Das Gerät ist nicht für die Benutzung am Bildschirmarbeitsplatz gemäss BildscharbV vorgesehen.

Copyright © 2016 RISO KAGAKU CORPORATION





Dieser Abschnitt beschreibt Vorkehrungen, die zur sicheren Benutzung dieser Maschine befolgt werden müssen. Bitte lesen Sie diesen Abschnitt vor der Benutzung gut durch.

Warnsymbole

Damit diese Maschine richtig betrieben wird und Verletzungen sowie Sachschäden vermieden werden, kommen folgende Warnsymbole zur Anwendung. Lesen Sie zuerst die Bedeutung der Symbole durch und danach das Handbuch.

 WARNUNG	Dieses Symbol bedeutet, dass eine unrichtige Handhabung beziehungsweise das Ignorieren dieses Symbols zum Tod oder schweren Verletzungen führen kann.
 VORSICHT	Dieses Symbol bedeutet, dass eine unrichtige Handhabung beziehungsweise das Ignorieren dieses Symbols zu schweren Verletzungen oder Sachschäden führen kann.

Symbolbeispiele

	Das Symbol  zeigt eine verbotene Aktion an. Ein konkretes, verbotenes Vorgehen wird im Symbol selbst oder daneben angegeben. (Die Abbildung links zeigt das Verbot des Auseinandernehmens.)
	Das Symbol  zeigt eine zwingende Aktion oder einen Hinweis an. Im Symbol wird ein konkreter Hinweis angegeben. (Die linke Abbildung zeigt einen Hinweis zum Herausziehen des Netzsteckers.)

Netzstecker

- Zusätzlich zum Hauptgerät haben auch Drucker und Zusatzgeräte, die mit dem Drucker verbunden sind, Netzstecker.

Aufstellungsort


VORSICHT

- Stellen Sie diese Maschine auf einer ebenen oder stabilen Oberfläche auf. Andernfalls kann die Maschine kippen oder herunterfallen und Verletzungen verursachen.
- Stellen Sie die Maschine nicht an einem staubigen oder feuchten Ort auf. Andernfalls kann es zum Brand oder zu elektrischen Schlägen kommen.

Netzanschluss

WARNUNG

- Überprüfen Sie die Spezifikationen für die Stromversorgung des Gerätes und benutzen Sie nur eine Stromversorgung mit ausreichender Kapazität. Andernfalls kann es zu einem Brand oder zu elektrischen Schlägen kommen.
- Schließen Sie kein anderes elektrisches Gerät an dieselbe Steckdose an.
- Schließen Sie das Netzkabel an eine Steckdose an und verwenden Sie nur dieses Gerät. Falls trotzdem ein Verlängerungskabel benötigt wird, darf es nicht länger als 5 m sein. Andernfalls kann es zum Brand oder zu elektrischen Schlägen kommen. 

- Das Spannungskabel darf weder beschädigt noch abgeändert werden. Werden schwere Gegenstände auf das Kabel gestellt, oder wird daran gezogen oder das Kabel geknickt, kann das Kabel Schaden erleiden, und dadurch einen Brand bzw. einen elektrischen Schlag verursachen. 
- Das mitgelieferte Spannungskabel darf nur für diese Maschine verwendet werden. Verwenden Sie es nicht mit anderen Produkten. Andernfalls kann es zum Brand oder zu elektrischen Schlägen kommen.
- Niemals das Kabel mit nassen Händen aus der Steckdose ziehen. Andernfalls könnte es einen elektrischen Schlag geben.

VORSICHT

- Schließen Sie das Stromkabel fest in den optionalen Netzanschluss der Druckereinheit, um einen Wackelkontakt zu vermeiden.
- Ziehen Sie den Stecker nicht am Kabel heraus. Andernfalls kann dieses beschädigt werden und einen Brand oder einen elektrischen Schlag verursachen. Zum Abtrennen des Kabels immer nur am Stecker anfassen.
- Falls die Maschine für längere Zeit nicht gebraucht wird, beispielsweise über mehrere Feier- oder Ferientage hinweg, sollte das Netzkabel sicherheitshalber aus der Steckdose gezogen werden.
- Ziehen Sie den Stecker mehr als einmal pro Jahr aus der Steckdose und reinigen Sie seine Polstifte und ihre Umgebung. Staub, der sich an dieser Stelle angesammelt hat, könnte einen Brand verursachen.

Behandlung

WARNUNG

- Stellen Sie keine Wassergefäße oder Metallobjekte auf die Maschine. Falls Wasser oder ein solches Metallobjekt ins Innere des Gerätes eindringt, kann dies zu einem Brand oder zu elektrischen Schlägen führen.
- Entfernen Sie die Abdeckungen nicht. Andernfalls könnten Sie aufgrund der Hochspannung im Inneren elektrischen Schlägen ausgesetzt sein. 
- Sie sollten die Maschine nie zerlegen oder selbst zusammenbauen. Andernfalls kann es zum Brand oder zu elektrischen Schlägen kommen.
- Lassen Sie keinerlei metallische Gegenstände oder entzündbares Material durch irgendeine Öffnung ins Innere der Maschine eindringen. Andernfalls kann es zum Brand oder zu elektrischen Schlägen kommen.
- Wenn etwas in das Gerät hineinfällt, halten Sie sofort die [Netz]-Taste am Bedienfeld gedrückt und schalten Sie die Stromversorgung und dann den Hauptstromschalter aus. Trennen Sie dann alle Stromkabel und wenden Sie sich an Ihren Händler oder den Kundendienst. Das Weiterbenutzen des Gerätes könnte einen Brand oder einen Stromschlag verursachen. 
- Im unwahrscheinlichen Fall, dass das Gerät weiter benutzt wird, während es übermäßige Hitze, Rauch oder einen schlechten Geruch verströmt, kann es zu einem Stromschlag kommen. Halten Sie sofort die [Netz]-Taste am Bedienfeld gedrückt und schalten Sie die Stromversorgung und dann den Hauptstromschalter aus. Trennen Sie dann unbedingt alle Stromkabel und wenden Sie sich an Ihren Händler oder den Kundendienst. 

VORSICHT

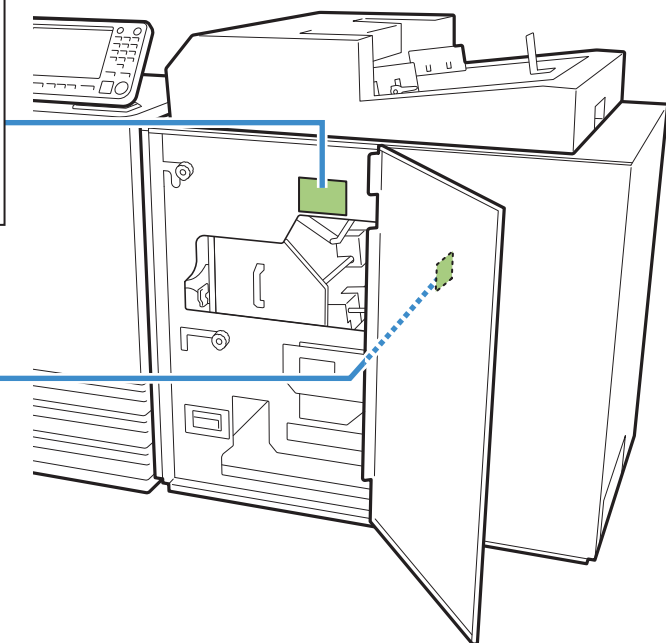
- Stecken Sie Ihre Finger nicht in die an das Ablagefach für Textblätter oder an den Einschubschlitz für Broschüren angrenzenden Bereiche. Andernfalls kann es zu Verletzungen kommen.
- Wenn Sie die Maschine an einen anderen Ort verlegen, benachrichtigen Sie zuvor die Servicestelle. Der Versuch, das Gerät mit Gewalt zu bewegen, kann das Gerät umkippen lassen und Verletzungen verursachen.
- Während der Arbeit an der Maschine für ausreichende Belüftung sorgen. Bei auftretendem Unwohlsein umgehend einen Ort mit frischer Luft gehen.
- Bei eventuell auftretenden gesundheitlichen Beschwerden sofort den Arzt aufsuchen.
- In dem Bereich, in dem sich das Warnschild "Vorsicht Hitze!" befindet, ist die Temperatur hoch. Berühren Sie deshalb auf keinen Fall diesen Bereich! Fassen Sie auch nicht längere Zeit auf Maschinenteile, die sich erhitzen. Andernfalls kann es zu Verbrennungen kommen.
- Achten Sie darauf, nicht über das Ausgabefach zu stolpern. Dies könnte zu Verletzungen führen.
- Legen Sie keine Gegenstände auf die Maschine. Diese könnten durch die Wärme des internen Heizaggregates verformt oder beschädigt werden.

Warnsymbole

Aus Sicherheitsgründen ist diese Maschine mit dem unten angegebenen Warnsymbol versehen. Wenn Sie mit dieser Maschine arbeiten oder diese Maschine warten, lesen Sie bitte die Hinweise auf dem Warnsymbol, das eine sichere Benutzung des Geräts gewährleistet. Entfernen Sie das Warnsymbol nicht und achten Sie darauf, dass es nicht beschmutzt wird. Sollte das Warnsymbol abfallen, die Schrift ausgeblichen oder nicht mehr leserlich sein, informieren Sie den Händler oder die zuständige Servicestelle.

■ Platzierung der Warnsymbole

Die Platzierungen der Warnsymbole werden wie folgt gezeigt:



3

■ Details

Dort, wo das Warnsymbol angebracht ist, ist die Temperatur hoch. Direkter Kontakt mit dieser Fläche kann zu Verbrennungen führen.



Berühren Sie die Maschine unmittelbar nach dem Ausschalten nicht mit bloßen Händen.



- Sollten Sie die Maschine anfassen, tragen Sie hitzefeste Handschuhe. Falls Sie keine Handschuhe tragen, prüfen Sie zuerst, ob die Maschine ausgekühlt ist.

Vor Inbetriebnahme

Dieser Abschnitt erläutert Vorsichtsmaßnahmen, die vor der Benutzung der Maschine zu beachten sind.

Aufstellungsort

Beachten Sie die folgenden Sicherheitshinweise.

- **Ihr Händler hilft Ihnen bei der Auslieferung dabei, einen geeigneten Aufstellungsort für das Gerät zu finden.**
- **Wenn Sie die Maschine an einen anderen Ort verlegen, benachrichtigen Sie zuvor die Servicestelle.**
- **Vermeiden Sie die Installation der Maschine an folgenden Orten. Andernfalls kann es zu Fehlfunktionen, Störungen oder Unfällen kommen.**
 - Orte, die direktem Sonnenlicht oder starkem Lichteinfall ausgesetzt sind, etwa neben einem Fenster
(Ist dies unvermeidlich, bringen Sie Vorhänge zum Abdunkeln des Fensters an.)
 - Orte, die plötzlichen Temperaturschwankungen ausgesetzt sind
 - Sehr heiße und feuchte oder sehr kalte und trockene Orte
 - Orte nahe offener Feuerstellen oder Hitzequellen
 - Beheizte Stellen oder Orte, die direkter Kaltluft von Klimaanlage oder Heißluft sowie abgestrahlter Wärme von Heizkörpern ausgesetzt sind
 - Schlecht belüftete Orte
 - Staubige Orte
 - Orte, die vielen Vibrationen ausgesetzt sind
- **Installieren Sie die Maschine an einer ebenen Stelle, die folgenden Anforderungen entspricht.**

Oberflächenhöhe zur Installation: 2 Grad oder weniger
- **Betreiben Sie die Maschine unter folgenden Umgebungsbedingungen.**

Temperaturbereich: 15°C bis 30°C
Feuchtigkeitsbereich: 40% bis 70% RF (nicht kondensierend)

Netzanschluss

Beachten Sie die folgenden Sicherheitshinweise.

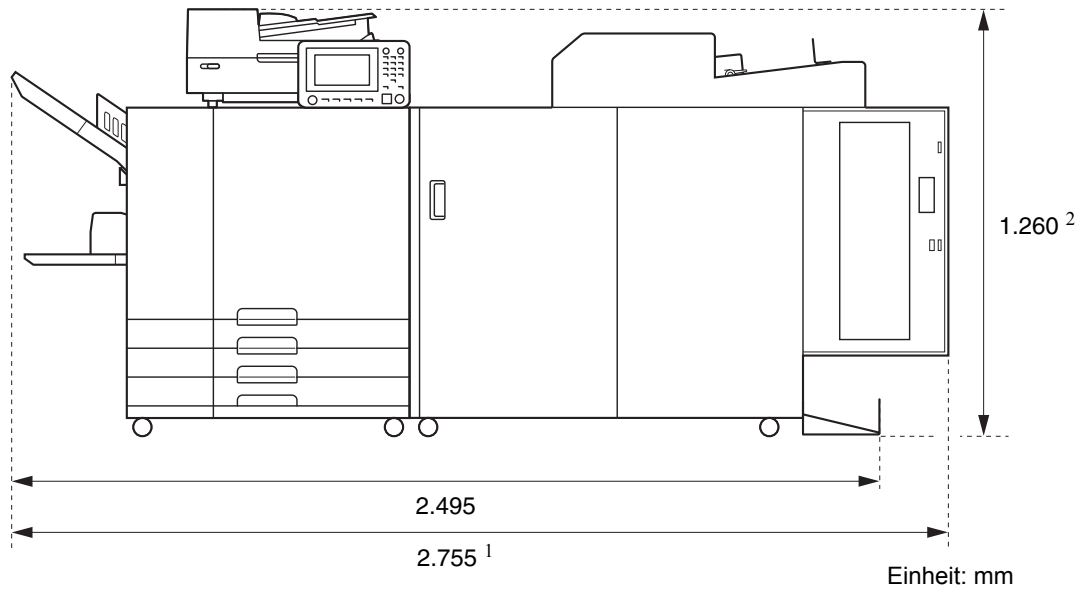
- **Schließen Sie das Stromkabel fest in den optionalen Netzanschluss der Druckereinheit, um einen Wackelkontakt zu vermeiden.**
- **Installieren Sie die Maschine in der Nähe einer Stromsteckdose.**
- **Wenn der Hauptschalter des Geräts eingeschaltet ist, wird das Gerät mit dem Ein- und Ausschalten des Druckers ein- und ausgeschaltet.**

Abmessungen

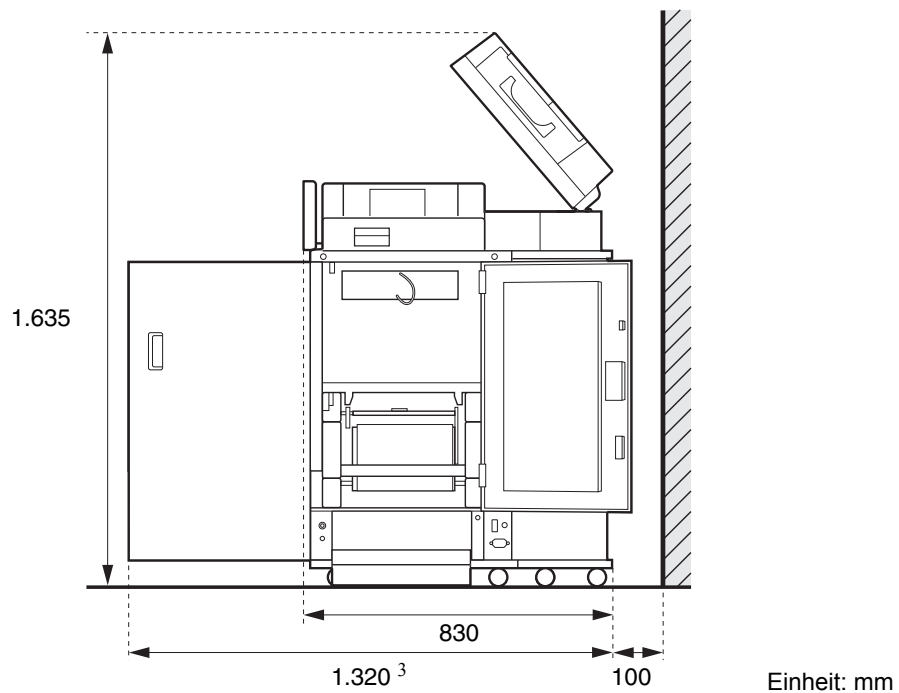
■ Drucker und Perfect Binder

Schaffen Sie ausreichend Platz, um die Maschine bedienen, das Material ersetzen und die Maschine warten zu können.

- Von Vorne gesehen



- Von der Seite gesehen



Die Größe hängt von den verwendeten optionalen Geräten ab.

1 Breite	Drucker und Perfect Binder	2.755 mm
	Drucker, Perfect Binder und Scanner (bei Nutzung des Spezial-Scanner-Stands)	2.755 mm
	Drucker, Perfect Binder und Versatz-Hefter	2.975 mm
	Drucker, Perfect Binder und Zufuhr mit hoher Kapazität	3.100 mm
2 Höhe	Drucker und Perfect Binder	1.160 mm
	Drucker, Perfect Binder und Scanner (bei Nutzung des Spezial-Scanner-Stands)	1.260 mm
	Drucker, Perfect Binder und Versatz-Hefter	1.345 mm
3 Tiefe	Drucker und Perfect Binder	1.240 mm
	Drucker, Perfect Binder und Scanner (bei Nutzung des Spezial-Scanner-Stands)	1.320 mm
	Drucker, Perfect Binder und Zufuhr mit hoher Kapazität	1.240 mm

Behandlung

- **Schalten Sie nicht den Hauptnetzschalter aus und ziehen Sie nicht den Stecker, während das Gerät in Betrieb ist.**
- **Öffnen Sie keine der Abdeckungen während des Betriebs.**
- **Bewegen Sie die Maschine nicht.**
- **Die Maschine enthält Präzisionskomponenten und bewegliche Teile. Führen Sie daher keine Vorgänge aus, die nicht in den Handbüchern beschrieben sind.**
- **Stellen Sie keine schweren Objekte auf die Maschine oder setzen Sie die Maschine keinen starken Erschütterungen aus.**
- **Öffnen und schließen Sie die Abdeckungen behutsam.**
- **Wenn Sie das Gerät nach dem Ausschalten der Hauptstromversorgung wieder einschalten, schalten Sie zunächst die [Netz]-Taste am Bedienfeld des Druckers aus.**

Materiallager und Schutzmaßnahmen zur sicheren Handhabung

- **Leimblätter und Filter sollten nicht an den folgenden Orten aufbewahrt werden. Bewahren Sie sie in einer angemessenen Umgebung auf.**
 - Orte, die direktem Sonnenlicht oder übermäßigem Lichteinfall ausgesetzt sind, beispielsweise in Fensternähe (falls unumgänglich, sollten die Fenster mit Vorhängen versehen werden und die Temperatur des Aufbewahrungsortes zwischen 5 °C und 35 °C liegen)
 - Orte, die plötzlichen Temperaturschwankungen ausgesetzt sind
 - Sehr heiße und feuchte oder sehr kalte und trockene Orte
- **Achten Sie auf eine angemessene Betriebsumgebung der Maschine und auf entsprechende Lagertemperaturen des Materials und überprüfen Sie regelmäßig das Herstellungsdatum der Materialien, um diese so schnell wie möglich aufzubauchen.**

Entsorgung verbrauchten Materials

Entsorgen Sie benutzte Leimblätter (Mittelteil, Film) und Filter (Sekundärfilter, Primärfilter) entsprechend den kommunalen Müllvorschriften. Bezüglich weiterer Details befragen Sie bitte den Händler, bzw. die zuständige Servicestelle.

Leimblatt	
Teil	Material
Leimblatt	Kunststoff
Mittelteil	Papier
Leimblatthalter	Kunststoff
Trennpapier (Release-Papier)/Rollenkern	Kunststoff/Papier

Filter	
Teil	Material
Sekundärfilter/Rahmen	Kunststoff, Aktivkohle/Papier
Primärfilter	Kunststoff

Verwendbares Papier

Deckblatt

Die folgenden Papiertypen und Größen können als Deckblatt verwendet werden.

■ Typ und Größe von Deckblättern

Element	Glattes Papier, Recycle-Papier
Gewicht ¹	Einzugsfach: 80 g/m ² bis 104 g/m ² Standardfach /Deckblatt-Einzug: 80 g/m ² bis 210 g/m ²
Papierfaser-Richtung (Papiertextur)	Kurzfaseriges Papier (parallel zur Querseite)
Papierverzug	5 mm oder weniger

Größe des Deckblatts ²

[Reguläre Größe]

Deckblatt (wenn der überstehende Teil abgeschnitten wird):

A5-Bindung:

210 mm × 307 mm - 342 mm

B5-Bindung:

257 mm × 374 mm - 409 mm

A4-Bindung:

297 mm × 430 mm - 465 mm

Letter-Bindung:

279,4 mm × 441,8 mm -
476,8 mm

Deckblatt (mit überstehendem Teil):

A5-Bindung:

210 mm × 298,5 mm - 398 mm

B5-Bindung:

257 mm × 365,5 mm - 432 mm

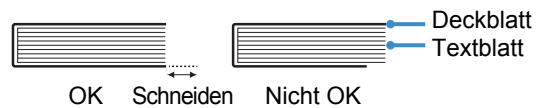
A4-Bindung:

297 mm × 421,5 mm - 460 mm

Letter-Bindung:

279,4 mm × 433,3 mm - 466 mm

- 1 Wenn die Stärke des Booklets (Buchrückens) 20 mm oder mehr beträgt, wird empfohlen, Papier mit einem Gewicht von 105 g/m² oder mehr zu verwenden.
- 2 Die Länge des Deckblatts ändert sich abhängig von der Stärke der zu bindenden Textblätter. Wenn ein Überstand verwendet wird, können keine Blätter mit einer Länge verwendet werden, bei denen sich kein Überstand ergibt.



- Weitere Hinweise zu verwendbaren Papiertypen finden Sie auch in der Anleitung der ComColor GD Serie.

Textblätter

Die folgenden Papiertypen und -größen können als Textseiten verwendet werden.

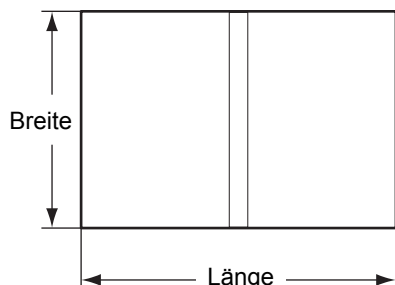
■ Typ und Größe der Textblätter

Element	Glattes Papier, Recycle-Papier
Gewicht	Einzugsfach: 52 g/m ² bis 104 g/m ² ¹ Standardfach / Textblatteinzug: 52 g/m ² bis 128 g/m ² ²
Papierfaser-Richtung (Papiertextur)	Langfaseriges Papier (parallel zur Längsseite)
Papierverzug	5 mm oder weniger
Größe ³	[Reguläre Größe] A5 (210 mm × 148 mm) B5 (257 mm × 182 mm) A4 (297 mm × 210 mm) Letter (279,4 mm × 215,9 mm)
Dicke eines Booklets	1,5 mm bis 30 mm 15 - 500 Blätter (15 bis 300 Blätter bei Verwendung von glattem Papier und Recycle-Papier (85 g/m ²). Die Anzahl der Blätter variiert jedoch abhängig vom Papiertyp.)

- 1 A5-LEF ist nicht verfügbar
- 2 Für A5-LEF: 64 g/m² bis 128 g/m²
- 3 Die Größe der Textblätter ist die Bindungsgröße

Hinweis zur Größe von Deckblatt und Textblättern

In diesem Dokument wird die Größe des Deckblatts und der Textblätter zum Binden in der Form (Breite) × (Länge) mm ausgedrückt.



Handhabung gebundener Booklets

Wenn ein mit diesem Gerät gebundenes Booklet an einem Ort gelagert wird, der direktem Sonnenlicht, hohen Temperaturen oder hoher Luftfeuchtigkeit ausgesetzt ist oder hermetisch verschlossen ist, kann der Klebstoff sich ablösen, so dass sich die Textblätter lösen.

Meiden Sie Orte, die direktem Sonnenlicht, hohen Temperaturen und hoher Luftfeuchtigkeit ausgesetzt sind und bewahren Sie die Booklets in einer nicht hermetisch verschlossenen Umgebung auf.

Technische Daten

■ Technische Daten des Perfect Binder

Grundfunktionen

Modell		Perfect Binder G10 (200)
Typ		Perfektes bindegerät
Endbearbeitungstyp		Seitenbindung
Aufwärmzeit		13 Min. oder weniger (bei einer Raumtemperatur von 23 °C)
Bindegeschwindigkeit ¹		ComColor GD9630/GD9631, wenn angeschlossen: 62 Booklets/Stunde
		ComColor GD7330, wenn angeschlossen: 48 Booklets/Stunde
Papiergröße		Textseite: A4-LEF, JIS-B5-LEF, A5-LEF, Letter-LEF
		Deckblatt ⁵ (wenn der überstehende Teil abgeschnitten wird): A5: 210 mm × 307 mm - 342 mm JIS-B5: 257 mm × 374 mm - 409 mm A4: 297 mm × 430 mm - 465 mm Letter: 279,4 mm × 441,8 mm - 476,8 mm Deckblatt (mit überstehendem Teil): A5: 210 mm × 298,5 mm - 398 mm JIS-B5: 257 mm × 365,5 mm - 432 mm A4: 297 mm × 421,5 mm - 460 mm Letter: 279,4 mm × 433,3 mm - 466 mm
Papiergewicht	Standardfach	Textblatt: Glattes Papier, Recycle-Papier 52 g/m ² bis 128 g/m ² (Für A5-LEF, 64 g/m ² bis 128 g/m ²)
		Deckblatt ⁶ : Glattes Papier, Recycle-Papier 80 g/m ² bis 210 g/m ²
	Einzugsfach	Textblatt: Glattes Papier, Recycle-Papier Papier mit 52 g/m ² bis 104 g/m ² (nicht verfügbar mit A5-LEF)
		Deckblatt ⁶ : Glattes Papier, Recycle-Papier 80 g/m ² bis 104 g/m ²
	Stapelvorrichtung für Textblätter	Textblatt: Glattes Papier, Recycle-Papier 52 g/m ² bis 128 g/m ²
Einschub für Deckblätter	Deckblatt ⁶ : Glattes Papier, Recycle-Papier 80 g/m ² bis 210 g/m ²	
Papierfaserrichtung (Papierfaserung)	Deckblatt	Kurzfaseriges Papier (parallel zur Querseite)
	Textblatt	Langfaseriges Papier (parallel zur Längsseite)
Verfügbare Breite (Anzahl gebundener Blätter)		1,5 mm bis 30 mm 15 - 500 Blätter Bei Verwendung von Verwendung von glattem Papier und Recycle-Papier (85 g/m ²) 15 -300 Blätter. Blattanzahl variiert je nach Papiertyp.
Gebundene Seite		Nur Längsseite
AusgabeKapazität ²		30 Kopien (max. 50 Blätter für eine Kopie)
Mindestrand ³		Textblatt: Minimum 5 mm
		Deckblatt: ganze Rückseite des Buchrückens, mindestens 5 mm auf Deckblatt 2 und Deckblatt 3
Stromversorgung		Perfect Binder G10 (200) Wechselstrom 220-240 V 6,0 A 50-60 Hz
Stromverbrauch		Max. 1.500 W
		Standby: 0,5 W oder weniger (Wechselstrom abgeschaltet)

Hinweis für Mitgliedstaaten der Europäischen Union

RISO, die Umwelt und die Verordnung über Elektro- und Elektronik-Altgeräte (WEEE-Verordnung)

■ Was ist die WEEE-Verordnung?

Die WEEE-Verordnung soll Abfall reduzieren und sicherstellen, dass elektrische und elektronische Geräte am Ende ihrer Nutzungsdauer wiederverwertet werden.



■ Was bedeutet das Symbol einer durchgestrichenen Abfalltonne auf Rädern?

Das Symbol einer durchgestrichenen Abfalltonne auf Rädern bedeutet, dass dieses Produkt vom normalen Müll getrennt gesammelt werden muss.

Bitte wenden Sie sich an Ihren RISO-Kundendienst für weitere Informationen über die Entsorgung.

■ Was bedeutet das Balkensymbol?

Der Balken unter der durchgestrichenen Abfalltonne auf Rädern bedeutet, dass dieses Produkt nach dem 13. August 2005 auf den Markt gebracht worden ist.

■ An wen kann ich mich wenden, wenn ich mehr über die WEEE-Verordnung wissen möchte?


Für weitere Informationen sollten Sie sich an Ihren örtlichen RISO-Kundendienst wenden.

Riso Kagaku Corporation London Office, 610 Centennial Park, Centennial Avenue, Elstree, Herts, WD6 3TJ U.K.

Hinweise zu Markenzeichen

Microsoft, Windows und Microsoft Word sind entweder eingetragene Marken oder Marken der Microsoft Corporation in den Vereinigten Staaten und/oder anderen Ländern.

PostScript ist ein Markenzeichen oder eingetragene Markenzeichen von Adobe Systems Incorporated in den USA und/oder anderen Ländern.

 RISO, ComColor und FORCEJET sind Markenzeichen oder eingetragene Markenzeichen von RISO KAGAKU CORPORATION in den USA und anderen Ländern.

Alle anderen Produkt- und Unternehmensnamen in diesem Dokument sind Markenzeichen oder eingetragene Markenzeichen der jeweiligen Unternehmen.



Please contact the following for supplies and service: