



GLOBAL ROPE FITTINGS

AQUALLINE PRODUCTS



SERCABLES

DISTRIBUIDOR AUTORIZADO PARA ESPAÑA

Sercables, S.A.

CIF A-80694821

C/ Herreros, 14 (Part.) - Pol. Ind. Los Ángeles

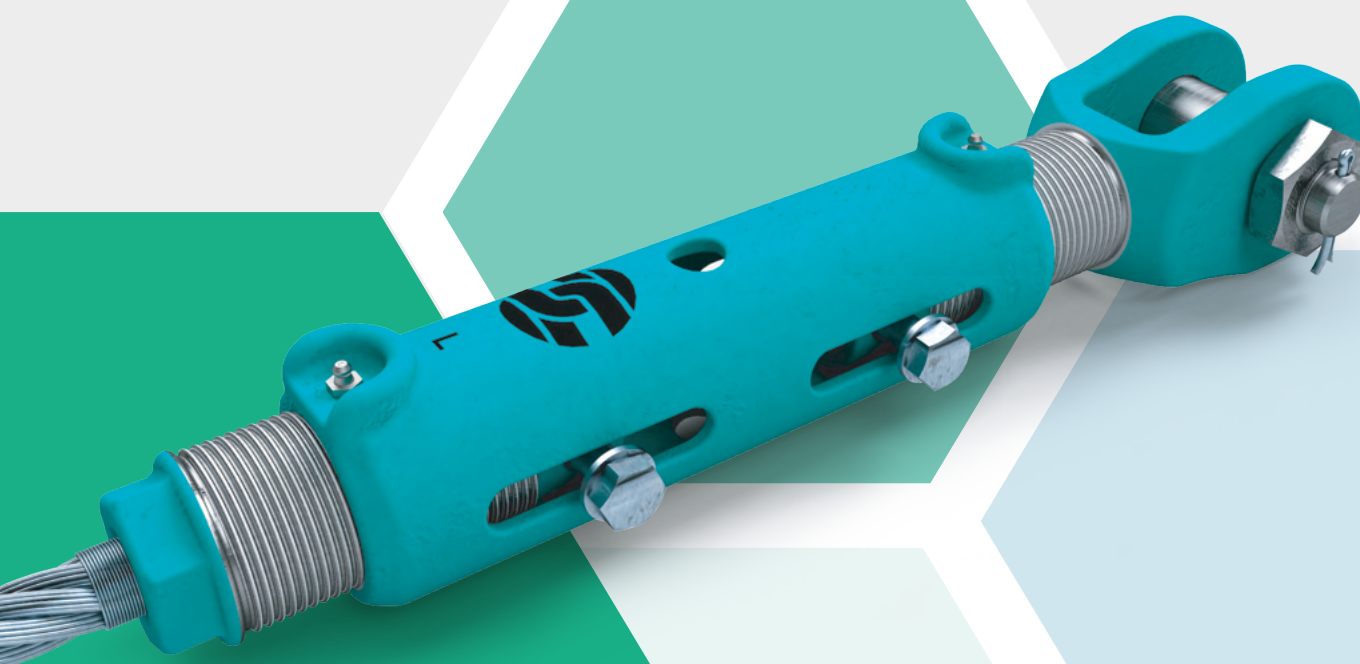
28.906 Getafe - Madrid

Tel.: 91 683 03 00 - Mail: ventas@sercables.com

www.sercables.com



**DESIGNED TO
PERFECTION**





The products and technical data presented in this catalogue are based on the information available at the time of printing. For the most up-to-date information on our product range, product datasheets, and our warnings and instructions for use, please revert to our website at www.globalropefittings.com.



Contents

Our Story	4
Our Philosophy	5
Quality, Standardization and Certification.....	9
Industries and Applications	12
AQUALLINE Range	13
Specials.....	16
Warnings and Instructions for Use	20
Product Datasheets	
Adjustable Closed Turnbuckle Sockets (eye) (ACTS).....	26
Adjustable Open Turnbuckle Sockets (jaw) (AOTS).....	28
Adjustable Open Spelter Sockets (AOSS).....	30
Anchor Pendant Sockets (APS).....	32
Closed Spelter Sockets (CSS).....	34
Closed Wedge Sockets (CWS).....	36
Fast Connector Sockets (FCS).....	38
Heavy Duty Triangle Plates (HDTP).....	40
Mobile Harbor Crane Sockets (MHCS).....	42
Open DIN Sockets (ODS).....	44
Open JIS Sockets (OJS).....	46
Open Spelter Sockets (OSS).....	48
Open Strand Spelter Sockets (OSSS).....	50
Open Wedge Sockets (OWS).....	52
Open Wedge Sockets with Integrated Tail Clamp (OWS ITC).....	54
Solid Wire Rope Thimbles (SWRT).....	56
Wire Rope Clips (WRC).....	58



Our Story

Global Rope Fittings was founded in October 2010 as a producer and stockholder of (custom-made) wire rope fittings. Our experiences in this field date back more than a few decades. We even stood at the base of the first socket designs in the European market many years ago...

These experiences have not only led to a re-design of the existing sockets, but also to great knowledge of the market. We believe in long term relationships with our customers and strive to find constructive solutions to product challenges. Either by drawing from our extensive AQUALLINE product range or by designing new, custom-made wire rope fittings.

From our 2000 m² warehouse in Germany we supply customers worldwide. We are very proud that we have a large and loyal customer base, operating in different industries, varying from crane building, mining, and heavy lifting, to wire rope factories and rigging companies.





Our Philosophy

Designed to perfection. This philosophy characterizes our approach. We continuously seek to improve, resulting in changes to the existing products in the market and in completely new product designs. We aim for an increased technical performance and design our products with efficiency, longer lifespan, safety, and usability in mind. Not only for the sockets, but also for the wire rope itself.

All our AQUALLINE sockets, thimbles and triangle plates are made from alloy cast steel, a higher grade material, that is suitable for low temperature environments of up to -46°C (Anchor Pendant Sockets up to -40°C).

Our products have some progressive design features that offer interesting benefits in comparison to the standard socket designs in the market.

Adjustable Turnbuckle Series

+ Two products combined into one

By combining a spelter socket with a turnbuckle, we have engineered a product that has fewer separate parts, is easier to handle and is more cost-effective.

Anchor Pendant Series

+ Thicker cone wall

The weakest part of the socket is the cone and not the bow, as is often assumed. For that reason, we have put 15-20% more material in the bottom of the cone. Due to the increased wall thickness of the weakest part of the socket, a much higher Minimum Breaking Load (MBL) can be achieved.

FIGURE 1: THE CONE IS THE WEAKEST PART OF THE SOCKET

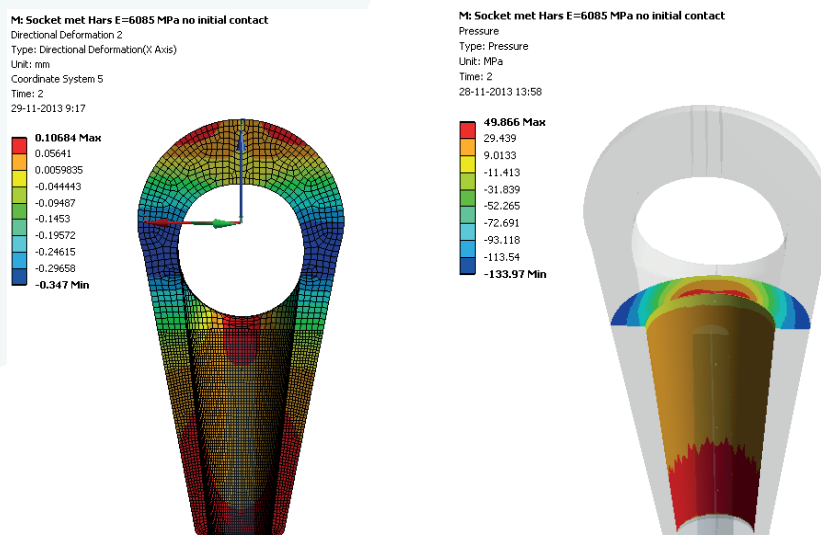
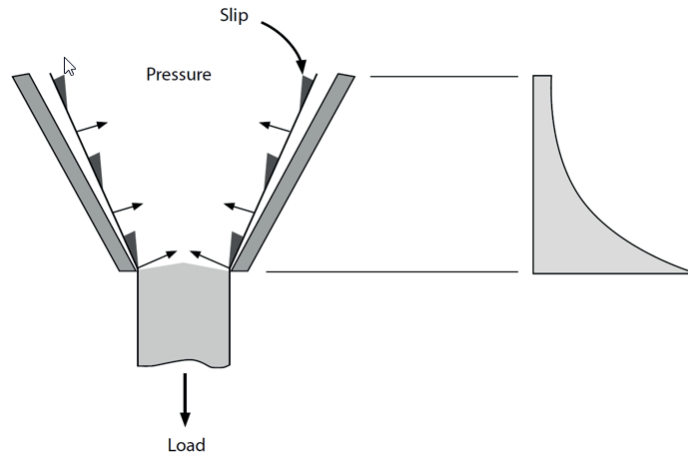




FIGURE 2: PRESSURE DISTRIBUTION IN THE CONE



Courtesy of J.M. Dodd B.Sc - Millfield Enterprises - Resin Socketing of Steel Wire Rope

Fast Connector Series

- + Compact design
- + Rotating & non-rotating device
- + Cap with eye

The connector fitting that slides into our Fast Connector Socket has one of the smallest designs in today's market, leaving plenty of room for easy reeving. A cap with an added eye also facilitates the reeving process. A rotating & non-rotating device can be selected in accordance with the used wire rope.

Japanese Series

- + Thicker jaws
- + Reinforced base
- + Increased conus angle

Remodelling the original Open Spelter JIS Socket (e.g. more material in the jaws, reinforced base, increased conus angle), has resulted in a product with a 20-30% higher MBL.

Open DIN Series

- + Thicker jaws
- + Reinforced base
- + Increased conus angle

With a slightly modified design (more material in the jaws, reinforced base, increased conus angle), we achieve a 30-40% higher MBL than with the standard DIN sockets, making it very suitable for the current generation of steel wire ropes.



Solid Thimble Series

- + Bigger radius
- + Longer thimble

Our solid thimble series has a bigger radius and is longer in size compared to the standard DIN thimbles. Consequently, the rope gradually bends over the thimble and is less prone to opening up, which makes it easier to use during clamping.

Spelter Series

- + Cylindrical design
- + Increased wire inlet
- + Non-rotating device
- + Reinforced base

Our spelter sockets have a cylindrical base design with an increased wire inlet. This facilitates the aligning and clamping of the rope during socketing. Additionally, the inlets can be re-worked more easily without losing much capacity. A non-rotating device prevents the rope from rotating and backing out of the cone during transport or assembly. All our spelter sockets have a reinforced base end that enables a higher MBL.

Triangle Plates

- + Lifting eye with shackle

From 25 Mtons (SWL) and above, all our Heavy Duty Triangle Plates have a lifting eye and shackle for safe and easy handling during assembly.

Wedge Series

- + Full symmetric wedge design
- + Extended jaws
- + Increased body length
- + Enlarged wedge
- + Added square notch

For our wedge series we have resized and reshaped all parts. As a result of all these improvements, we have increased the endurance of the wire rope and wedge, and achieve an efficiency rating of 85-92%. The highest efficiency in today's market!

- Our wedge is fully symmetrical and fits in the body in both ways, making it completely fool-proof.
- By extending the length of the jaws with 15%, much more space is available to quickly assemble the socket to the dead-end connection.
- By increasing the body length of the socket and enlarging the wedge – while the inner radius of both remains the same –, we reach maximum rope support and maintain an equal pressure in the rope.
- Finally, an added square notch in the bottom section of the wedge avoids damage of the rope and wedge during disassembly. This increases the endurance of the wire rope and wedge.



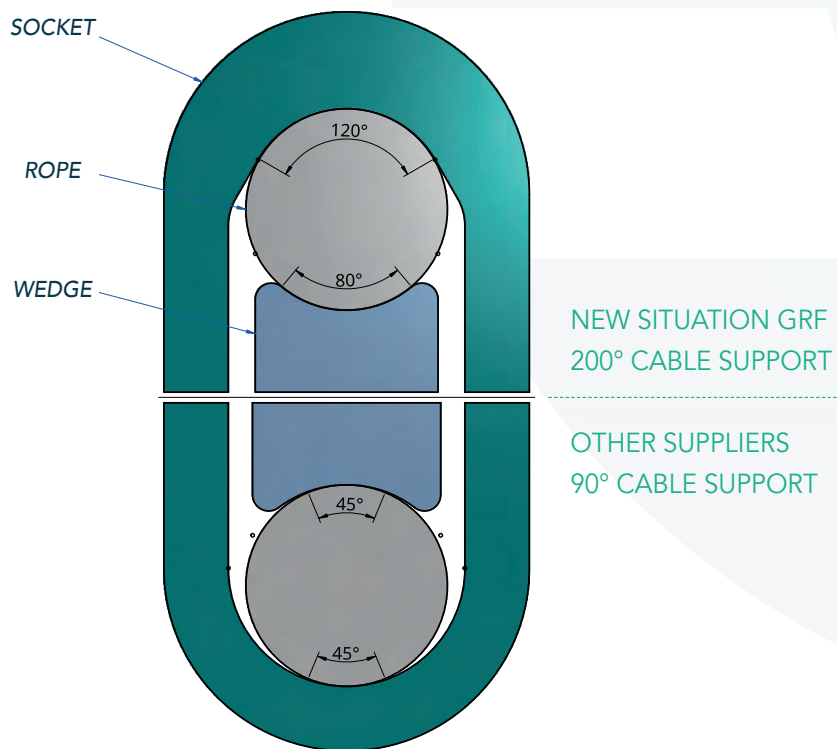
FIGURE 3: OUR SPECIAL WEDGE SOCKET DESIGN



GRF SOCKET ON THE LEFT

GRF WEDGE ON THE LEFT

FIGURE 4: MAXIMUM ROPE SUPPORT



Quality, Standardization and Certification

Quality

All AQUALLINE sockets are made from high-quality alloy cast steel and are suitable for low temperature environments. The minimum operating temperature for general applications is -46°C (-40°C for our Anchor Pendant Sockets). Our standard material is certified with an impact value of 50J at -20°C Charpy-V.

On request, we can provide

- Material certification with an impact value of 27J at -46°C Charpy-V
- Special high alloy engineering steel with impact values of up to 40J at -50°C Charpy-V

Each AQUALLINE socket is clearly marked with several attributes for easy identification and traceability purposes

- Model Number
- Heat Number / Marking
- Wire Rope Size (in inches and millimetres)
- Global Rope Fittings Logo

Global Rope Fittings' management system is ISO 9001:2015 certified by Det Norske Veritas (DNV).

Standardization

Our AQUALLINE products are designed and produced (completely or partly) in accordance with the internationally recognized standards and norms:

A1072, A1072M	DIN 3091, DIN 83313
EN 13411, EN 13889	Fed. Spec. RR-C.271
ISO 8062, 1461, 2786, 3189	JIS F 3432-1995
Machine Directive 2006/42/EC	MSS SP-55
NEN 2729	prEN 13411-9 norm
SA-352, SA-352M	





All load-bearing parts and products are ultrasonically inspected according to ASTM SA609 edition 2007, by level II qualified personnel. Magnetic Particle Inspection is carried out according to ASME BPV Section V - 2013.

Certification

AQUALLINE products are standard supplied with the following certificates:

• Declaration of Compliance according to EN 10204-2.1

- Certificate Number
- Wire Rope Diameter
- Minimum Breaking Load (MBL)
- Quantity
- Order Number

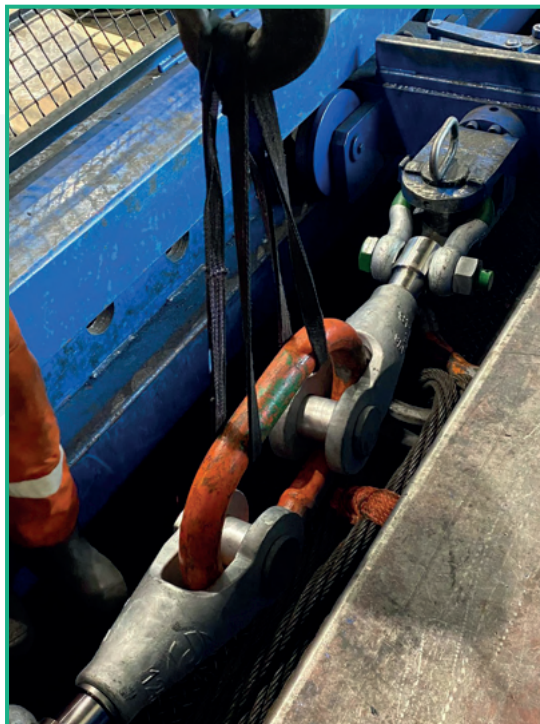
• Material Certificate according to EN 10204-3.1

- Heat No. / Marking
- Material Type
- Mechanical Properties
- Chemical Analysis



On request, we can also offer:

- Material Certificate according to EN 10204-3.2
- EC Declaration according to Machine Directive 2006/42/EC
- Manufacturer's Test Certificate according to ILO Convention No. 152
- NDT Inspection Report
- Witness or survey certificate by official classification body
- Proofloading Report
 - We can proofload sockets with an MBL of up to 2500 Mtons
 - Proofloading of AQUALLINE Sockets is standard at 40% of the MBL





Industries and Applications

We offer product solutions for many different industries and for a wide variety of applications from our standard AQUALLINE product range or by custom-design.

INDUSTRY / APPLICATION	PRODUCTS
General Engineering	OSS / CSS / OWS / SWRT
Heavy Lifting	OSS / CSS / OWS / HDTP
Crane Industry	OSS / CSS / OWS / OWS-ITC / ODS / OJS / FCS / MHCS / SJT*
Container Handling	OSS / AOSS / ACTS / AOTS
Onshore / Maritime	OSS / APS / OJS / HDTP / OMS*
Offshore	OSS / CSS / APS
Dredging	CWS / SSH*
Mining	OSS / OSSS
Architecture & Civil Engineering	OSS / OSSS / CSS / OWS / AOSS / ACTS / AOTS / AOBS* / ODS / TKK* / TUAC* / TWS*
Energy	OSS / CSS / ACTS / AOTS / TUAC*

* Custom-designed, see the 'Specials' section in our catalogue



AQUALLINE Range



Adjustable Closed Turnbuckle Sockets (eye) (ACTS)

Available for wire rope sizes from \varnothing 18 mm to \varnothing 48 mm ($3/4''$ to $1\ 7/8''$) with an efficiency rating of 100%.

Adjustable Open Turnbuckle Sockets (jaw) (AOTS)

Available for wire rope sizes from \varnothing 18 mm to \varnothing 48 mm ($3/4''$ to $1\ 7/8''$) with an efficiency rating of 100%. Standard version with pin and cotter pin. Also available with bolt, nut and cotter pin.



Adjustable Open Spelter Sockets (AOSS)

Available for wire rope sizes from \varnothing 18 mm to \varnothing 48 mm ($3/4''$ to $1\ 7/8''$) with an efficiency rating of 100%. Standard version with pin and cotter pin. Also available with bolt, nut and cotter pin.

Anchor Pendant Sockets (APS)

Available for wire rope sizes from \varnothing 31 mm to \varnothing 128 mm ($1\ 1/4''$ to $5''$) with an efficiency rating of 100%.



Closed Spelter Sockets (CSS)

Available for wire rope sizes from \varnothing 6 mm to \varnothing 128 mm ($1/4''$ to $5''$) with an efficiency rating of 100%.



Closed Wedge Sockets (CWS)

Available for wire rope sizes from \varnothing 17 mm to \varnothing 86 mm ($3/4''$ to $3\ 3/8''$) with an efficiency rating of 85-92%.

Fast Connector Sockets (FCS)

Available for wire rope sizes from \varnothing 11 mm to \varnothing 52 mm ($7/16''$ to $2''$) with an efficiency rating of 100%. Standard version with pin and cotter pin. Also available with bolt, nut and cotter pin. Each Fast Connector Socket contains a Connector Fitting with a non-rotating device.



Heavy Duty Triangle Plates (HDTP)

Available from size HDTP 9.5 to HDTP 500. From HDTP 25 and above, all triangle plates have a lifting eye and shackle for safe and easy handling during assembly. Suitable for commercial bow shackles that are designed according to EN 13889 or Fed. Spec. RR-C.271.

Mobile Harbor Crane Sockets (MHCS)

Available for wire rope sizes from \varnothing 31 mm to \varnothing 54 mm with an efficiency rating of 100%. Standard with bolt, nut and cotter pin. Also available with Roller.



Open DIN Sockets (ODS)

Available for wire rope sizes from \varnothing 12 mm to \varnothing 68 mm ($1/2''$ to $2\ 5/8''$) with an efficiency rating of 100%. Standard with bolt, nut and cotter pin.

Open JIS Sockets (OJS)

Available for wire rope sizes from \varnothing 15 mm to \varnothing 43 mm ($5/8''$ to $1\ 5/8''$) with an efficiency rating of 100%. Standard with bolt, nut and cotter pin.





Open Spelter Sockets (OSS)

Available for wire rope sizes from \varnothing 6 mm to \varnothing 128 mm (1/4" to 5") with an efficiency rating of 100%. Standard version with pin and cotter pin. Also available with bolt, nut and cotter pin.

Open Strand Spelter Sockets (OSSS)

Available in sizes from \varnothing 20 mm to \varnothing 95 mm structural strand (3/4" to 3 3/4") with an efficiency rating of 100%. Standard version with bolt and two retainer plates.



Open Wedge Sockets (OWS)

Available for wire rope sizes from \varnothing 5 mm to \varnothing 86 mm (1/4" to 3 3/8") with an efficiency rating of 85-92%. Standard version with pin and cotter pin. Also available with bolt, nut and cotter pin.

Open Wedge Sockets with Integrated Tail Clamp (OWS ITC)

Available for wire rope sizes from \varnothing 5 mm to \varnothing 36 mm (1/4" to 1 3/8") with an efficiency rating of 85-92%. Standard version with pin and cotter pin. Also available with bolt, nut and cotter pin.

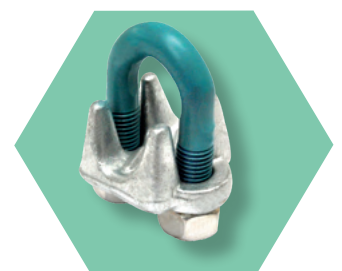


Solid Wire Rope Thimbles (SWRT)

Available for wire rope sizes from \varnothing 7 mm to \varnothing 80 mm (5/16" to 3") with an efficiency rating of 90%.

Wire Rope Clips (WRC)

Available for wire rope sizes from \varnothing 3 mm to \varnothing 90 mm (1/8" to 3 1/2").





Specials

Sometimes our standard AQUALLINE products do not offer a solution to a challenge in the field. In this case, our engineers will design a custom-made solution in close collaboration with the customer. Our speciality! This varies from modifying our standard sockets, designing an alternative for an existing product solution, to engineering a completely new product.

Modification of our standard sockets



CSS with tube modification



OSS with security plate & adjusted jaw width



OSS with cover plates & security bolt



Variety of end fittings with stopper plates



Open Mooring Socket (OMS)



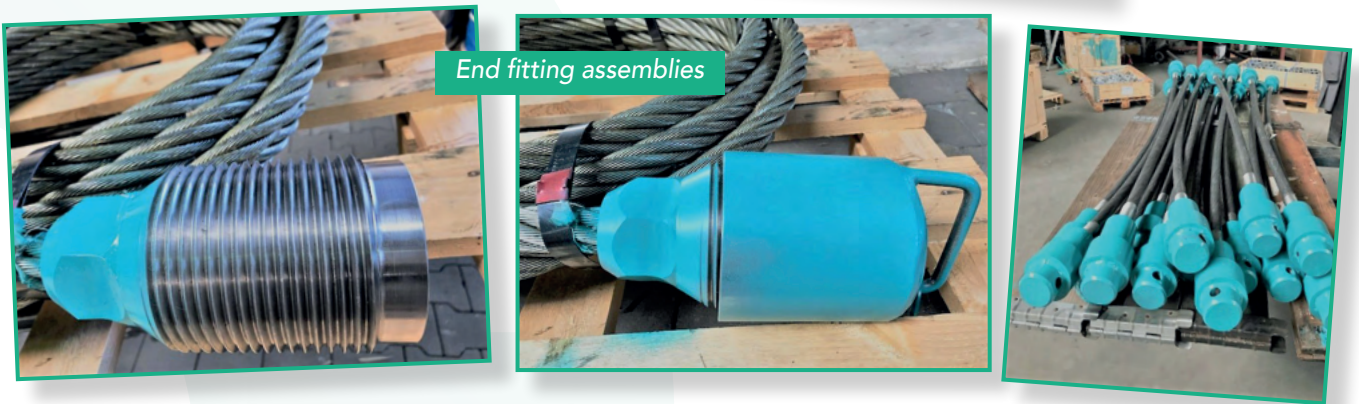
SWRT with bronze bushing

Alternative for an existing product solution

Steel mill machine sockets



End fitting assemblies



Sling Socket Hoist (SSH)



Tiefbau Keilendklemme (TKK)





Completely new design



Stainless steel lock door sockets



Boom pendant sockets



George Washington Bridge Socket (GWBS)



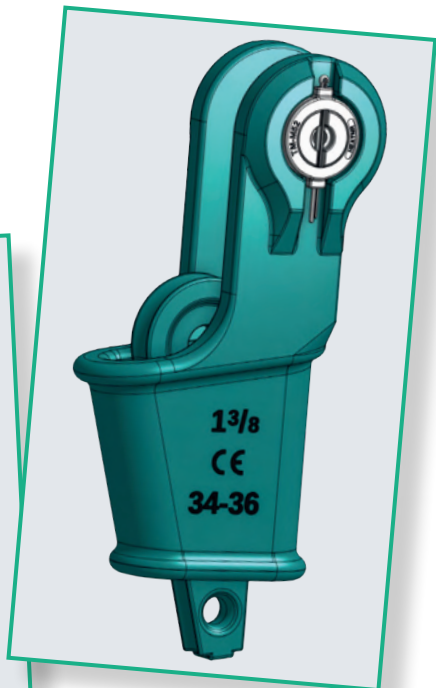
OSS with ring for a lock



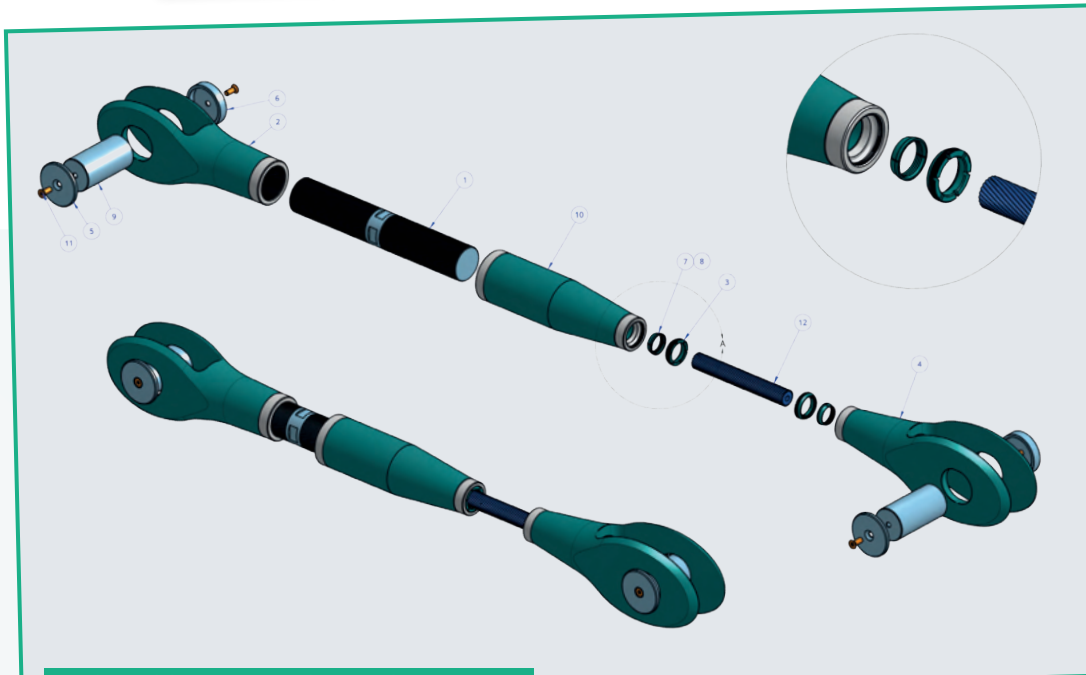
Completely new design



Take Up Assembly Closed (TUAC)



Tiefbau Wedge Socket (TWS)



Adjustable Open Bridge Socket (AOBS)



Solid Jaw Thimble (SJT)



Warnings and Instructions for Use

WIU_rev.04_09.09.2021

Always check our website www.globalropefittings.com to make sure that you have the latest version of our Warnings and Instructions for Use.

General

Our AQUALLINE products are among the strongest and most efficient in today's market and therefore the best choice for a wire rope termination. The installation and operation of our products should always be carried out by qualified and competent personnel. The pouring, installation, operation, and inspection are the sole responsibility of the user.

For the correct and safe implementation of our products, it is essential that the warnings and instructions listed here are closely followed. Incorrect use may create an unsafe situation, which could result in damage to equipment, inflict serious injury, or even cause death.

Generally, for all AQUALLINE products the following guidelines must be observed

- Always carefully inspect all products and parts before use.
- Never use a product showing nicks, gouges, cracks, sharp edges, or any signs of wear and tear of more than 5% of the nominal dimensions to the bow, pin holes, pins, bolts, or other parts of the AQUALLINE product. This includes discoloration from excessive heating.
- Make sure all markings are legible as these contain essential information regarding the use, such as wire rope size and traceability, e.g. batch number.
- Never use a product after being overloaded, side-loaded or shock-loaded.
- Only original (spare) parts should be used in an AQUALLINE socket assembly (i.e. AQUALLINE wedges, pins, bolts, etcetera).
- Never interchange AQUALLINE products and parts with non-AQUALLINE products and parts.
- Do not modify or re-use any part. Never do any repairs, reshaping, or welding on an AQUALLINE product. Always consult Global Rope Fittings.

Spelter Sockets

Our AQUALLINE Spelter Socket terminations have an efficiency rating of 100%, based on the nominal strength of the wire rope. This is limited by the Minimum Breaking Load (MBL) of the sockets. The MBL values are specified in our product datasheets, which can be downloaded from our website at www.globalropefittings.com or can be requested by email at sales@globalropefittings.com.

All AQUALLINE Spelter Sockets are made from high-quality cast steel and are suitable for low temperature environments. The minimum operating temperature for general applications is -46°C (-40°C for our Anchor Pendant Sockets). The material has an impact value of 50J at -20°C Charpy-V.

Never use a wire rope with a diameter that deviates from that stated in the product datasheets.

Key considerations for socketing

- Socketing should be carried out by qualified and competent specialists.
- When using white metal or zinc, pre-heat the socket basket, but never expose a socket to a temperature of more than 350°C (660°F).
- Always read and fully understand the instructions and the warnings provided by the resin manufacturer.
 - Sockets should be at ambient (or room) temperature. Do not heat the sockets prior to pouring.
 - Poured sockets should not be moved for at least 15 minutes after the resin in the socket has gelled.
 - If possible, we recommend the assembly to be proof tested at 40% of the MBL of the used wire rope at least 1 hour after the resin in the socket has gelled.
- For a complete overview of the minimum requirements for socketing we refer to DIN EN 13411-4:2011-06 and ISO 17558:2006-09.

Specific guidelines for our Adjustable Open Spelter Sockets (AOSS)

- Before installation, always grease the Connector Fitting's threading, by lubricating it through the grease nipple on the front of the Adjustable Open Spelter Socket (1).
- Use lubricant for high-pressure contact surfaces (EP3 or EP4).
- Re-grease after every 100 hours of use.
- Regularly check if all safety screws, bolts, and nuts are still properly in place.
- For disassembly, first remove the Connector Fitting from the socket (see images below):
 - Remove the hexagon bolt on the side of the socket by unscrewing the nyloc nut with washers (2).
 - Then, turn the Connector Fitting just enough to see the two safety screws through the slot hole (3).
 - Unscrew the safety screws.
 - Make sure to keep all parts together and handle the Connector Fitting with care to avoid damages to the thread.



1



2



3



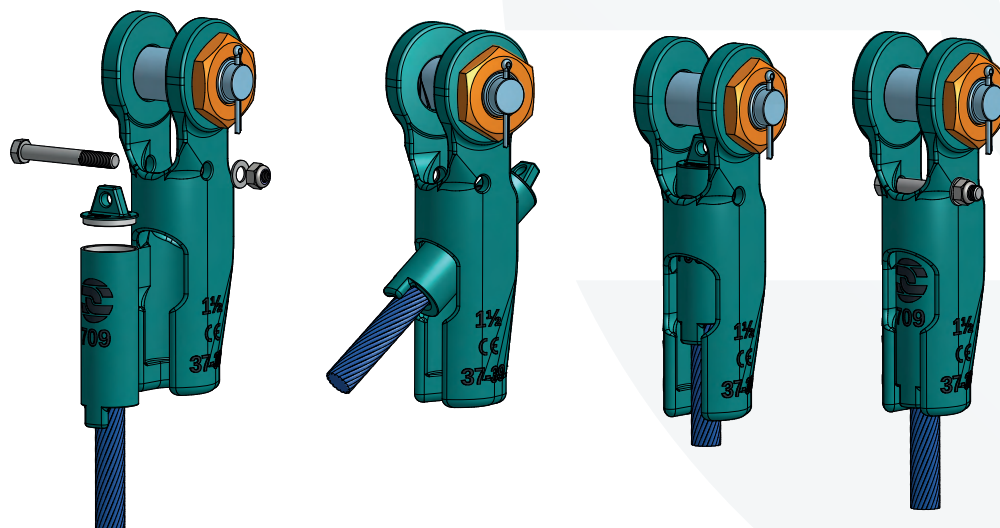
- For the socketing:
 - Make sure the conical house of the Connector Fitting is clean and free of dust, paint, or grease.
 - The end of the wires stays below the threaded holes of the safety screws but should be as high as possible up in the cone of the Connector Fitting.
- As soon as the resin is cured, the complete unit can be reassembled:
 - Insert the Connector Fitting in the Adjustable Open Spelter Socket.
 - Screw the safety screws in place.
 - Adjust the length of the assembled Adjustable Open Spelter Socket.
 - Secure the assembly with the hexagon bolt.

Specific guidelines for our Adjustable Turnbuckle Sockets (ACTS & AOTS)

- These are identical to the Adjustable Open Spelter Sockets, with the only distinction that each Adjustable Turnbuckle Socket contains **two** Connector Fittings, which means that all actions involving the Connector Fitting should be duplicated.

Specific guidelines for our Fast Connector Sockets (FCS)

- AQUALLINE Fast Connector Sockets have an efficiency rating of 100% when used with a maximum rope grade of 2160 N/mm² and a fill factor between 59% and 78%.
- Each Connector Fitting is equipped with an anti-rotation device to avoid spinning in the socket.
- During socketing, make sure that the resin fully reaches the wire inlet at the bottom of the socket.
- After socketing, a thread-locking adhesive should be used to secure the Connector Cap to the Connector Fitting.
- The eye on the Connector Cap is designed to easily reeve the Connector Fitting with the wire rope into the block or crane. The eye should never be used as a lifting device.



Specific guidelines for our Open DIN Sockets (ODS)

- Our AQUALLINE Open DIN Sockets meet the performance requirements of the DIN 83313 norm and exceed the required MBL. For the exact MBL values we refer to our product datasheet.

Specific guidelines for our Open JIS Sockets (OJS)

- These AQUALLINE wire rope terminations meet the performance requirements of the JIS F 3432-1995 norm. They exceed the required MBL of this norm. The exact MBL is specified in our product datasheet.

Wedge Sockets

Our AQUALLINE Wedge Socket terminations have an efficiency rating of 85-92%, based on the nominal strength of the wire rope. They meet and exceed the performance requirements of the EN 13411-6 norm.

All AQUALLINE Wedge Sockets are made from high-quality cast steel and are suitable for low temperature environments. The minimum operating temperature for general applications is -46°C . The material has an impact value of 50J at -20°C Charpy-V.

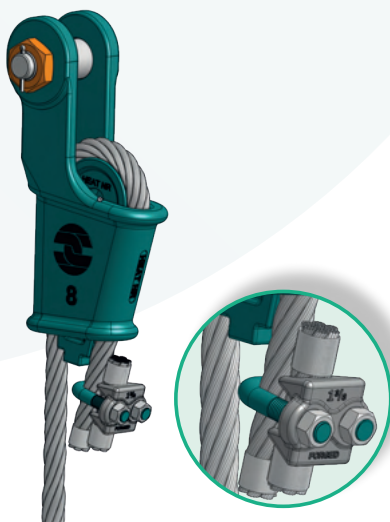
Make sure to select the correct AQUALLINE Wedge Socket for the required wire rope size. This information is specified in our product datasheets, which can be downloaded from our website at www.globalropefittings.com or can be requested by email at sales@globalropefittings.com. In case of intermediate rope sizes, always choose the next larger size AQUALLINE Wedge Socket.

Do not use a different wedge size in our AQUALLINE Wedge Socket than the size recommended for the required wire rope size. Never interchange AQUALLINE Wedge Sockets and AQUALLINE Wedges with other brands.

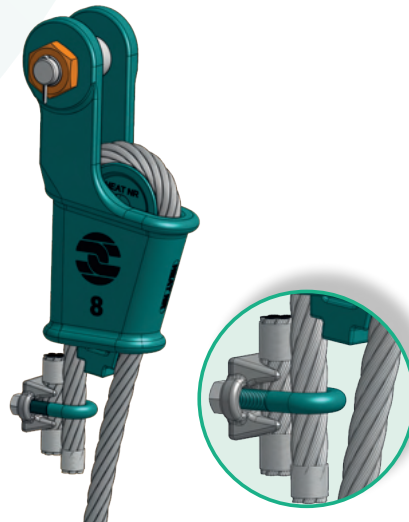
Instructions for the use of the wedge sockets

- The loaded wire rope should always be mounted in the centre line of the pin (see image of correct installation below).
- Secure the dead end of the rope with a wire rope clip. Do not attach it to the loaded wire rope or to any other elements of the assembly.
- The length of the dead end should be a minimum of 6x the wire rope diameter, but never less than 150 mm (6") for standard 6-8 strand wire rope. For rotation-resistant wire rope, the dead end should be a minimum of 20x the wire rope diameter and not less than 150 mm (6").
- The socket must be fixed to prevent rotation.
- Before the first load, the wire rope and wedge should be hammered into the socket as deep as possible. This should be done with care and no steel hammer should be used as to avoid damage to the rope.
- After the first load, check that the wire rope and wedge are fully seated in the socket, as the rope may slip if the wedge of the socket is not properly installed.

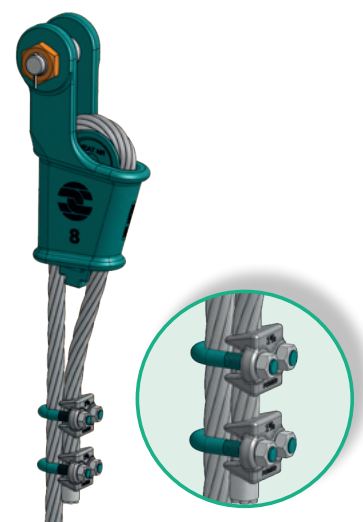
CORRECT



INCORRECT



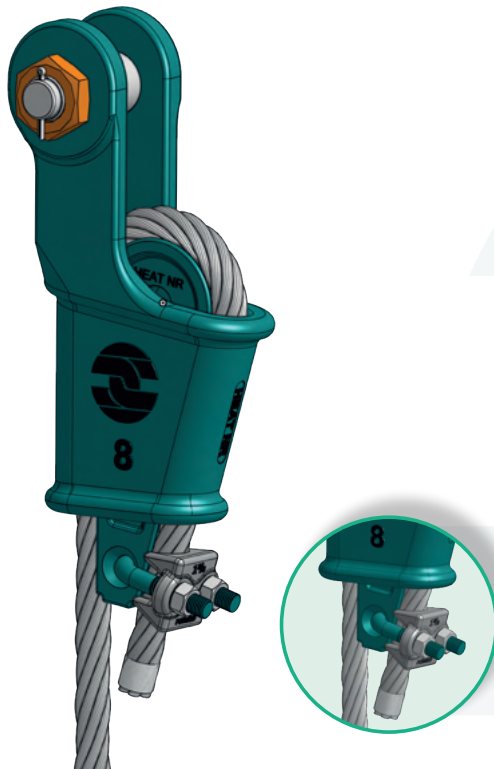
INCORRECT





Specific guidelines for our Open Wedge Sockets with Integrated Tail Clamp (OWS ITC)

- Only use special AQUALLINE ITC-Wedges with our Open Wedge Socket range. Never replace these with wedges from other brands.
- Existing AQUALLINE Open Wedge Sockets can be retrofitted with an AQUALLINE ITC-Wedge.
- After the first load, check that the wire rope and wedge are fully seated in the socket and retighten the nuts from the Wire Rope Clip to the correct torque value. For the correct torque values, see our Wire Rope Clip product datasheet, which can be downloaded from our website at www.globalropefittings.com or can be requested by email at sales@globalropefittings.com.



Solid Wire Rope Thimbles

Our AQUALLINE Solid Wire Rope Thimbles (SWRT) have an efficiency rating of 90% and meet the performance requirements of the prEN 13411-9 norm.

All AQUALLINE Solid Wire Rope Thimbles are made from high-quality cast steel and are suitable for low temperature environments. The minimum operating temperature for general applications is -46°C . The material has an impact value of 50J at -20°C Charpy-V.

Select the correct AQUALLINE Solid Wire Rope Thimble for the required wire rope size; the wire rope should fit properly into the groove of the thimble. For the relevant data, download the product datasheet from our website at www.globalropefittings.com or request by email at sales@globalropefittings.com.



Wire Rope Clips

All AQUALLINE Wire Rope Clips (WRC) are forged and meet the performance requirements of the EN 13411-5 norm (Type B / Grip 2). They are suitable for the fastening and securing of static loads but should never be used for lifting applications.

Select the AQUALLINE Wire Rope Clip with the correct dimension for the required wire rope size. In case of intermediate nominal diameters of rope, always use the next larger size AQUALLINE Wire Rope Clip. More detailed information is specified in our product datasheet, which can be downloaded from our website at www.globalropefittings.com or can be requested by email at sales@globalropefittings.com.

The clips must be installed correctly and must be tightened to the correct torque value by using a torque wrench.

- The bridge of the Wire Rope Clip should always be placed on the load bearing part of the rope, except when used on an AQUALLINE ITC-Wedge or when securing a dead end of a rope for a wedge socket.
- The U-bolt must be placed on the rope tail (dead-end).
- Make sure to turn back sufficient wire rope length to ensure that the required number of Wire Rope Clips can be installed. For more detailed information on the required number of clips we refer to the EN 13411-5 norm (Table B.2.).
- For the correct torque values, see our product datasheet, which can be downloaded from our website at www.globalropefittings.com or can be requested by email at sales@globalropefittings.com.
- The first time after installation, load the assembly with a load that is equal or greater than the load in operation with a maximum of 1.25 times the Working Load Limit (WLL). Then check the torque value again and adjust it to the correct torque value specified in our product datasheet.

Heavy Duty Triangle Plates

Our AQUALLINE Heavy Duty Triangle Plates (HDTP) are suitable for commercial bow shackles that are designed according to EN 13889 or Fed. Spec. RR-C.271.

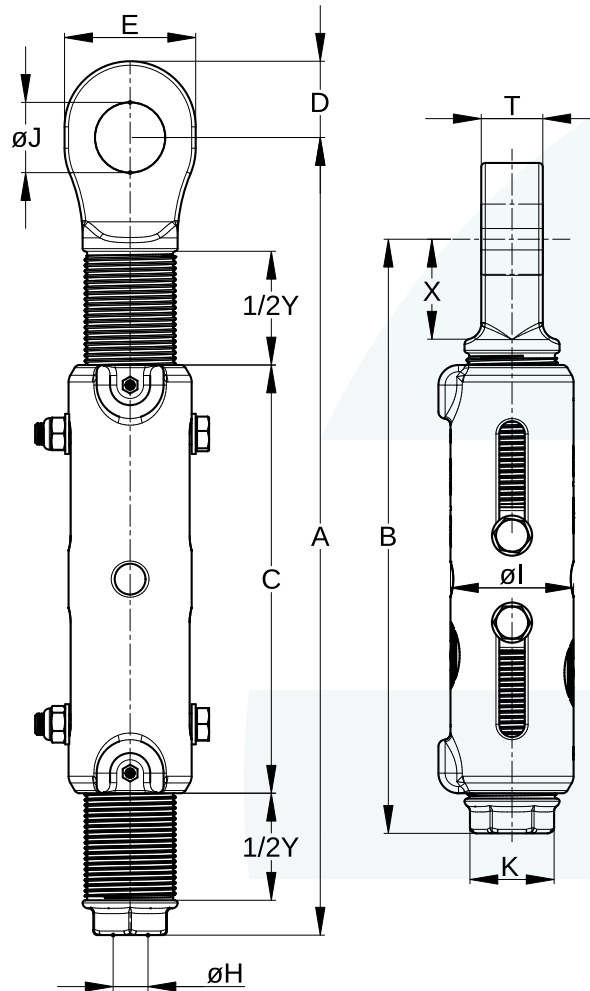
All AQUALLINE Heavy Duty Triangle Plates are made from high-quality cast steel and are suitable for low temperature environments. The minimum operating temperature for general applications is -46°C. The material has an impact value of 50J at -20°C Charpy-V.

Select the correct AQUALLINE Heavy Duty Triangle Plate based on the required Safe Working Load (SWL). Download the product datasheet from our website at www.globalropefittings.com or request by email at sales@globalropefittings.com for more detailed information.

- AQUALLINE Triangle Plates should never be side-loaded.
- The lifting eye and shackle are added for easy handling during assembly but should never be used as a lifting device in operation.



Adjustable Closed Turnbuckle Sockets (eye)



Available for wire rope sizes from $\varnothing 18$ mm to $\varnothing 48$ mm ($3/4$ " to $1 7/8$ "") with an efficiency rating of 100%.



AQUALLINE ADJUSTABLE CLOSED TURNBUCKLE SOCKET (EYE). MM DIMENSIONS

Model Number	MBL (Mtons)	For Wire Rope Ø mm	Approx. Resin Volume (cc)														Weight (kg)
				A	B	C	D	E	ØH	ØI	ØJ	K	T	X	1/2Y	Y	
ACTS 800	40	18 - 19	80	445	335	250	40	68	22.5	71	36.5	41	34	55	55	110	4.2
ACTS 804	55	20 - 22	125	510	380	285	48	80	26.8	86	42.5	50	40	60	65	130	10.2
ACTS 808	80	23 - 26	160	585	435	320	58	98	29.5	96	53	55	45	75	75	150	13.8
ACTS 811	100	27 - 30	210	660	490	360	64	108	34	108	59	65	52	85	85	170	22.5
ACTS 815	130	31 - 36	350	775	585	430	72	124	40	116	65	75	63	100	90	180	30
ACTS 818	160	37 - 39	425	830	630	470	83	140	44.5	136	72	80	76	105	100	200	47
ACTS 820	200	40 - 42	500	900	680	500	85	148	48	142	78	90	76	115	110	220	60
ACTS 825	250	43 - 48	700	1060	810	600	98	170	53	167	91	100	82	135	125	250	88

AQUALLINE ADJUSTABLE CLOSED TURNBUCKLE SOCKET (EYE). INCH DIMENSIONS

Model Number	MBL (Mtons)	For Wire Rope Ø inch	Approx. Resin Volume (cc)														Weight (lbs)
				A	B	C	D	E	ØH	ØI	ØJ	K	T	X	1/2Y	Y	
ACTS 800	40	3/4	80	17.5	13.2	9.9	1.57	2.68	0.90	2.80	1.43	1.61	1.24	2.17	2.16	4.33	9
ACTS 804	55	7/8	125	20	15	11.2	1.89	3.15	1.05	3.40	1.67	1.97	1.57	2.36	2.56	5.12	22
ACTS 808	80	1	160	23	17.1	12.6	2.28	3.86	1.16	3.80	2.09	2.17	1.77	2.95	2.95	5.90	30.4
ACTS 811	100	1 1/8	210	26	19.3	14.2	2.52	4.25	1.34	4.25	2.32	2.56	2.05	3.35	3.10	6.70	50
ACTS 815	130	1 1/4 - 1 3/8	350	30.5	23	16.9	2.83	4.88	1.60	4.56	2.48	2.95	2.48	3.93	3.50	7.10	65
ACTS 818	160	1 1/2	425	32.7	24.8	18.5	3.27	5.5	1.75	5.35	2.83	3.15	3.00	4.13	4.00	7.90	104
ACTS 820	200	1 5/8	500	35.4	26.8	19.7	3.35	5.8	1.90	5.82	3.1	3.54	3.00	4.53	4.30	8.70	130
ACTS 825	250	1 3/4 - 1 7/8	700	41.7	31.9	23.6	3.86	6.7	2.10	6.57	3.6	3.94	3.23	5.31	4.75	9.80	195

MBL = Minimum Breaking Load

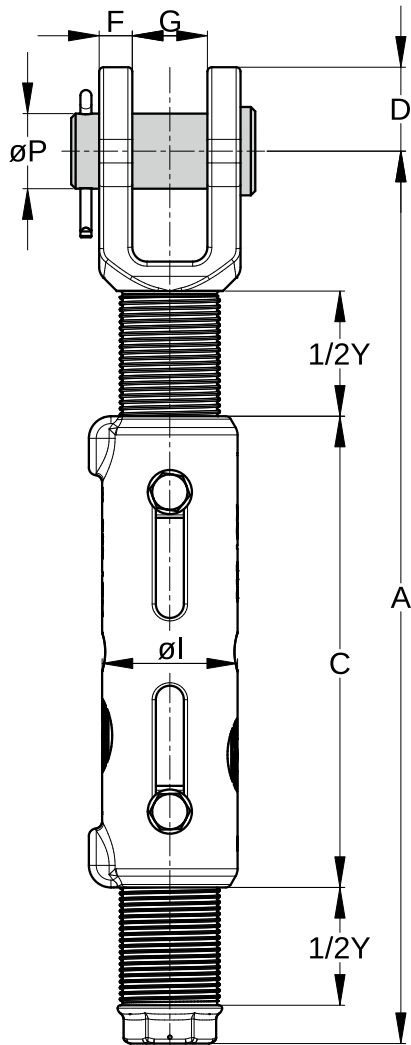
All sockets are supplied with a zinc plated finish. ACTS 811 - ACTS 825 are also available in aqua-blue primer (RAL 5018).

For more information read our 'Warnings and instructions for use'.

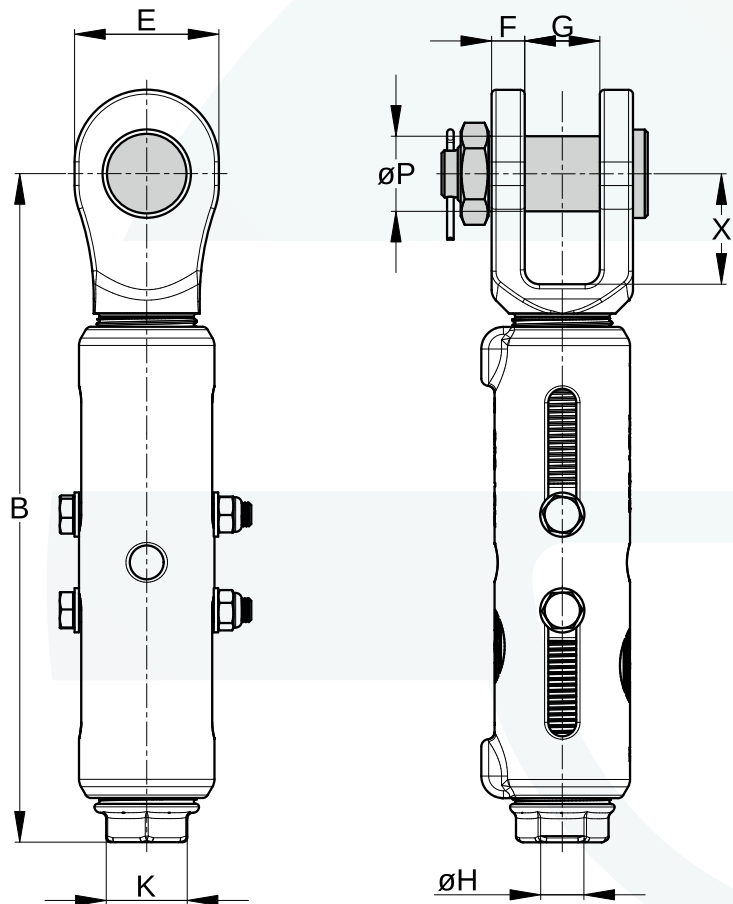


Adjustable Open Turnbuckle Sockets (jaw)

with pin



with bolt



Available for wire rope sizes from \varnothing 18 mm to \varnothing 48 mm ($3/4''$ to $1\ 7/8''$) with an efficiency rating of 100%. Standard version with pin and cotter pin. Also available with bolt, nut and cotter pin.



AQUALLINE ADJUSTABLE OPEN TURNBUCKLE SOCKET (JAW). MM DIMENSIONS

Model Number	MBL (Mtons)	For Wire Rope Ø mm	Approx. Resin Volume (cc)															Weight (kg)
				A	B	C	D	E	F	G	ØH	ØI	K	ØP	X	1/2Y	Y	
AOTS 800	40	18 - 19	80	450	340	250	45	74	16.5	38	22.5	71	41	35	55	55	110	6.4
AOTS 804	55	20 - 22	125	520	390	285	53	90	20.5	45	26.8	86	50	41	62	65	130	10.6
AOTS 808	80	23 - 26	160	615	465	320	64	108	22.5	51	29.5	96	55	51	75	75	150	16.8
AOTS 811	100	27 - 30	210	675	505	360	67	114	25	57	34	108	65	57	85	85	170	22.6
AOTS 815	130	31 - 36	350	790	600	430	77	135	28	63	40	116	75	63	95	95	190	32
AOTS 818	160	37 - 39	425	850	650	470	83	146	30	76	44.5	136	80	70	105	100	200	46
AOTS 820	200	40 - 42	500	920	700	500	89	156	33	76	48	142	90	76	115	110	220	58
AOTS 825	250	43 - 48	700	1075	825	600	102	178	39	89	53	167	100	89	135	125	250	86

AQUALLINE ADJUSTABLE OPEN TURNBUCKLE SOCKET (JAW). INCH DIMENSIONS

Model Number	MBL (Mtons)	For Wire Rope Ø inch	Approx. Resin Volume (cc)															Weight (lbs)
				A	B	C	D	E	F	G	ØH	ØI	K	ØP	X	1/2Y	Y	
AOTS 800	40	3/4	80	17.7	13.4	9.9	1.75	2.90	0.65	1.50	0.90	2.80	2.80	1.38	2.40	2.16	4.33	14
AOTS 804	55	7/8	125	20.5	15.4	11.2	2.10	3.50	0.81	1.75	1.05	3.40	3.40	1.63	2.60	2.56	5.12	23.5
AOTS 808	80	1	160	24.2	18.3	12.6	2.50	4.30	0.89	2.00	1.16	3.80	3.80	2.00	2.80	2.45	5.9	37.2
AOTS 811	100	1 1/8	210	26.6	19.9	14.2	2.60	4.50	1.00	2.25	1.34	4.25	4.30	2.25	3.10	3.35	6.7	50
AOTS 815	130	1 1/4 - 1 3/8	350	31.0	23.6	16.9	3.00	5.30	1.10	2.50	1.60	4.56	4.70	2.50	3.50	3.55	7.1	79.2
AOTS 818	160	1 1/2	425	33.5	25.6	18.5	3.30	5.70	1.18	3.00	1.75	5.35	5.40	2.75	4.00	3.45	7.9	101
AOTS 820	200	1 5/8	500	36.2	27.6	19.7	3.50	6.15	1.30	3.00	1.90	5.82	5.60	3.00	4.30	4.35	8.7	128
AOTS 825	250	1 3/4 - 1 7/8	700	42.3	32.5	23.6	4.00	7.00	1.50	3.50	2.10	6.57	6.60	3.50	4.75	4.9	9.8	190

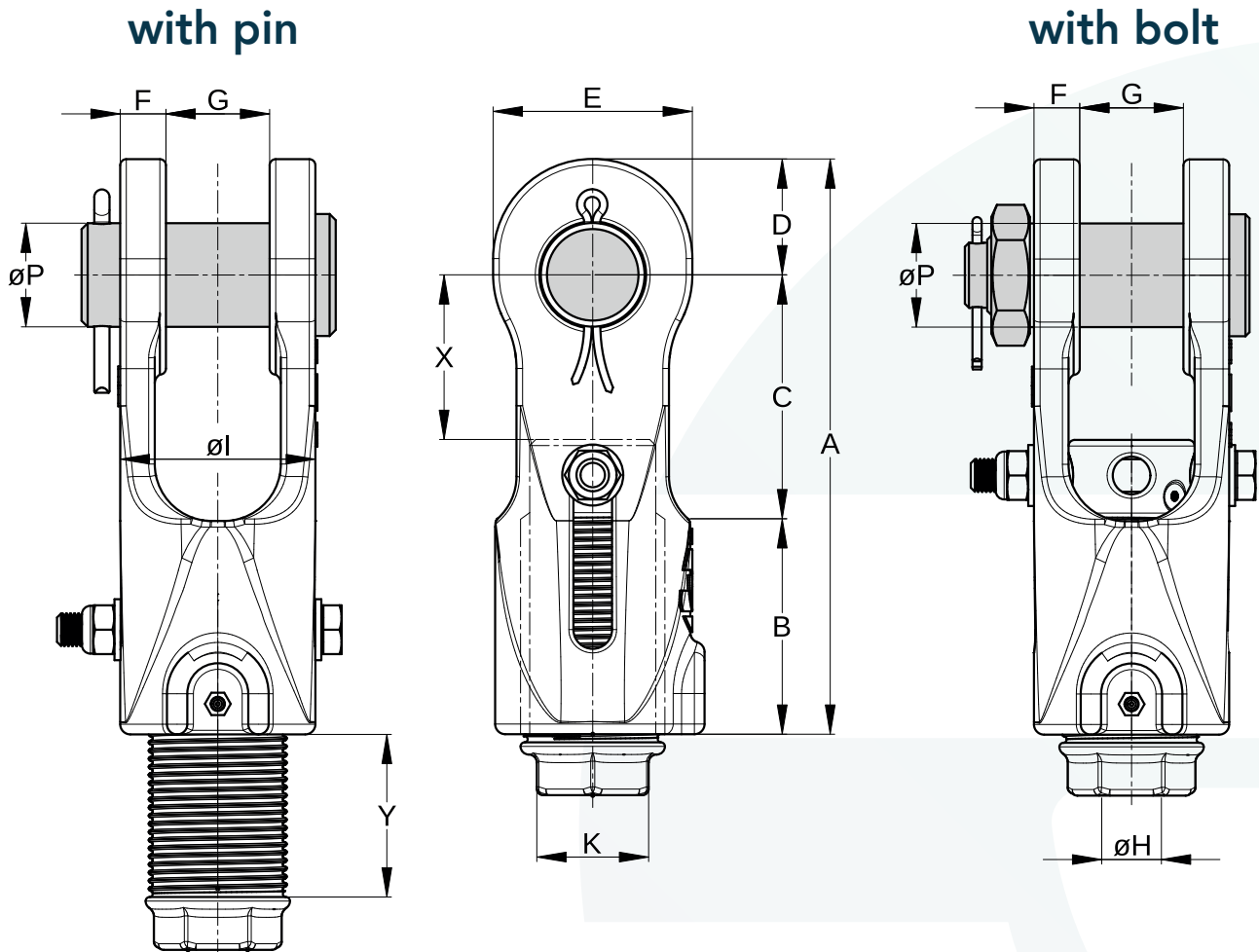
MBL = Minimum Breaking Load

All sockets are supplied with a zinc plated finish. AOTS 811 - AOTS 825 are also available in aqua-blue primer (RAL 5018).

For more information read our 'Warnings and instructions for use'.



Adjustable Open Spelter Sockets



Available for wire rope sizes from \varnothing 18 mm to \varnothing 48 mm ($3/4''$ to $1\ 7/8''$) with an efficiency rating of 100%. Standard version with pin and cotter pin. Also available with bolt, nut and cotter pin.



AQUALLINE ADJUSTABLE OPEN SPELTER SOCKET. MM DIMENSIONS

Model Number	MBL (Mtons)	For Wire Rope Ø mm	Approx. Resin Volume (cc)	Dimensions (mm)													Weight (kg)
				A	B	C	D	E	F	G	ØH	ØI	K	ØP	X	Y	
AOSS 800	40	18 - 19	80	216	80	90	45	74	16.5	38	22.5	71	41	35	60	55	5
AOSS 804	55	20 - 22	125	243	90	100	53	90	20.5	45	26.8	86	50	41	65	65	8
AOSS 808	80	23 - 26	160	289	105	120	64	108	22.5	51	29.5	96	55	51	70	75	13
AOSS 811	100	27 - 30	210	317	120	130	67	114	25	57	34	108	65	57	80	85	17
AOSS 815	130	31 - 36	350	362	135	150	77	135	28	63	40	116	75	63	90	90	23
AOSS 818	160	37 - 39	425	403	150	170	83	146	30	76	44.5	136	80	70	100	100	33
AOSS 820	200	40 - 42	500	490	165	180	89	156	33	76	48	142	90	76	110	110	40
AOSS 825	250	43 - 48	700	572	185	215	102	178	39	89	53	167	100	89	120	125	60

AQUALLINE ADJUSTABLE OPEN SPELTER SOCKET. INCH DIMENSIONS

Model Number	MBL (Mtons)	For Wire Rope Ø inch	Approx. Resin Volume (cc)	Dimensions (inch)													Weight (lbs)
				A	B	C	D	E	F	G	ØH	ØI	K	ØP	X	Y	
AOSS 800	40	3/4	80	8.50	3.15	3.50	1.75	2.90	0.65	1.50	0.90	2.80	1.61	1.38	2.40	2.20	11
AOSS 804	55	7/8	125	9.60	3.50	3.90	2.10	3.50	0.81	1.75	1.05	3.40	1.97	1.63	2.60	2.60	17.5
AOSS 808	80	1	160	11.40	4.10	4.70	2.50	4.30	0.89	2.00	1.16	3.80	2.17	2.00	2.80	3.00	25
AOSS 811	100	1 1/8	210	12.50	4.70	5.10	2.60	4.50	1.00	2.25	1.34	4.25	2.56	2.25	3.10	3.30	38
AOSS 815	130	1 1/4 - 1 3/8	350	14.30	5.30	5.90	3.00	5.30	1.10	2.50	1.60	4.56	2.95	2.50	3.50	3.50	50
AOSS 818	160	1 1/2	425	15.90	5.90	6.70	3.30	5.70	1.18	3.00	1.75	5.35	3.15	2.75	4.00	4.00	72
AOSS 820	200	1 5/8	500	19.30	6.50	7.10	3.50	6.15	1.30	3.00	1.90	5.82	3.54	3.00	4.30	4.30	88
AOSS 825	250	1 3/4 - 1 7/8	700	22.50	7.30	8.50	4.00	7.00	1.50	3.50	2.10	6.57	3.94	3.50	4.75	5.00	132

MBL = Minimum Breaking Load

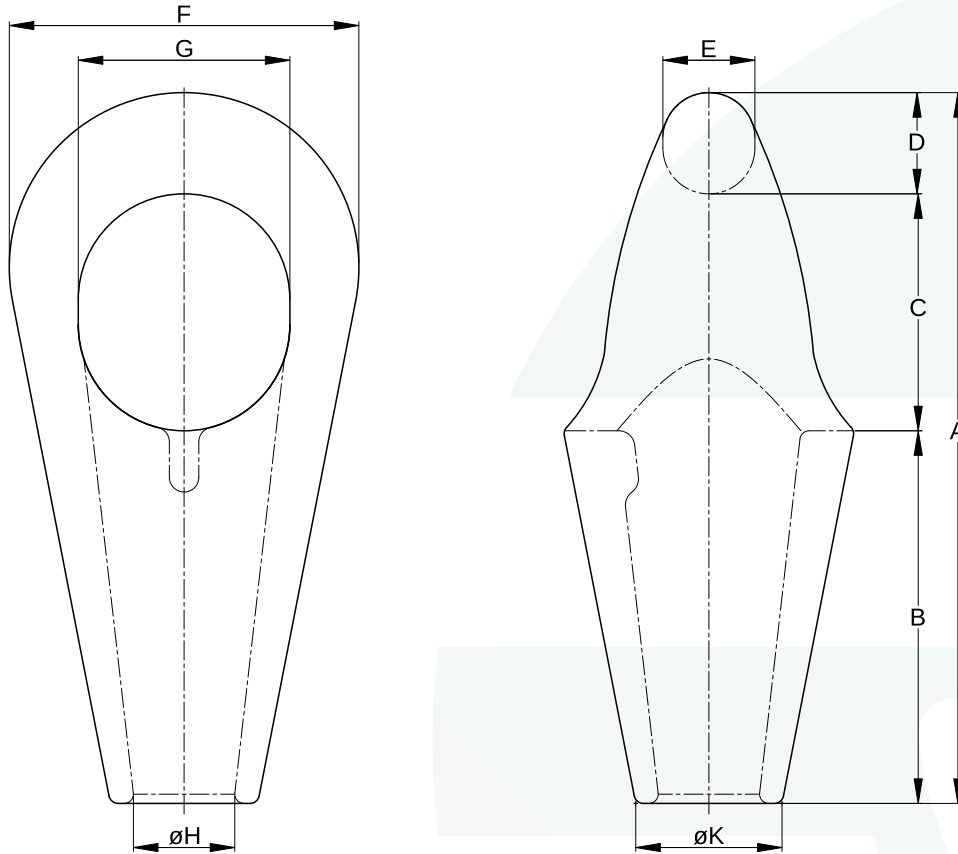
All sockets are supplied with a zinc plated finish. AOSS 811 - AOSS 825 are also available in aqua-blue primer (RAL 5018).

For more information read our 'Warnings and instructions for use'.

PATENT #: EP2805083B



Anchor Pendant Sockets



Available for wire rope sizes from \varnothing 31 mm to \varnothing 128 mm (1 1/4" to 5") with an efficiency rating of 100%.



AQUALLINE ANCHOR PENDANT SOCKET. MM DIMENSIONS

Model Number	MBL (Mtons)	For Wire Rope Ø mm	Approx. Resin Volume (cc)	Dimensions (mm)									Weight (kg)
				A	B	C	D	E	F	G	ØH	ØK	
APS 512	130	31 - 36	350	270	141	88	40	36	140	82	41	60	7
APS 517	160	37 - 42	500	309	162	103	44	40	152	92	46	67	11
APS 519	200	43 - 48	700	369	193	123	53	48	176	110	53	74	16
APS 522	250	49 - 54	1250	408	210	140	58	52	200	125	58.5	83	22
APS 524	320	55 - 60	1425	452	230	157	65	58	226	140	68	96	31
APS 526	400	61 - 68	1850	499	250	174	75	66	250	156	76	107	42
APS 527	500	69 - 75	2300	551	280	191	80	70	275	171	80	115	54
APS 528	600	76 - 80	3400	591	309	196	86	76	290	180	89	125	70
APS 529	700	81 - 86	4100	643	332	211	100	90	304	188	94	133	85
APS 530	800	87 - 93	5200	685	360	220	105	95	332	210	99	142	118
APS 531	900	94 - 102	7700	722	375	235	112	101	366	220	110	157	142
APS 533	1000	108 - 115	10500	818	420	270	126	112	405	240	128	180	220
APS 540	1200	120 - 128	14000	920	490	290	140	126	450	276	140	200	320

AQUALLINE ANCHOR PENDANT SOCKET. INCH DIMENSIONS

Model Number	MBL (Mtons)	For Wire Rope Ø inch	Approx. Resin Volume (cc)	Dimensions (inch)									Weight (lbs)
				A	B	C	D	E	F	G	ØH	ØK	
APS 512	130	1 1/4 - 1 3/8	350	10.60	5.60	3.50	1.60	1.40	5.50	3.20	1.60	2.40	15
APS 517	160	1 1/2 - 1 5/8	500	12.16	6.38	4.00	1.73	1.57	6.00	3.62	1.80	2.64	24
APS 519	200	1 3/4 - 1 7/8	700	14.50	7.60	4.84	2.10	1.90	6.93	4.33	2.10	2.91	36
APS 522	250	2 - 2 1/8	1250	16.00	8.27	5.50	2.28	2.20	7.87	4.92	2.30	3.27	48
APS 524	320	2 1/4 - 2 3/8	1425	17.80	9.06	6.18	2.56	2.28	8.90	5.50	2.70	3.78	68
APS 526	400	2 1/2 - 2 5/8	1850	19.60	9.84	6.85	2.95	2.60	9.84	6.14	3.00	4.20	92
APS 527	500	2 3/4 - 2 7/8	2300	21.70	11.00	7.50	3.15	2.76	10.80	6.73	3.15	4.50	119
APS 528	600	3 - 3 1/8	3400	23.30	12.16	7.70	3.38	3.00	11.40	7.10	3.50	4.90	155
APS 529	700	3 1/4 - 3 3/8	4100	25.30	13.10	8.30	3.94	3.54	12.00	7.40	3.70	5.20	187
APS 530	800	3 1/2 - 3 5/8	5200	27.00	14.20	8.70	4.10	3.74	13.10	8.25	3.90	5.60	260
APS 531	900	3 3/4 - 4	7700	28.40	14.80	9.25	4.40	4.00	14.40	8.70	4.33	6.20	310
APS 533	1000	4 1/4 - 4 1/2	10500	32.20	16.50	10.60	5.00	4.40	16.00	9.50	5.00	7.10	480
APS 540	1200	4 3/4 - 5	14000	36.20	19.30	11.40	5.50	5.00	17.70	10.90	5.50	7.90	710

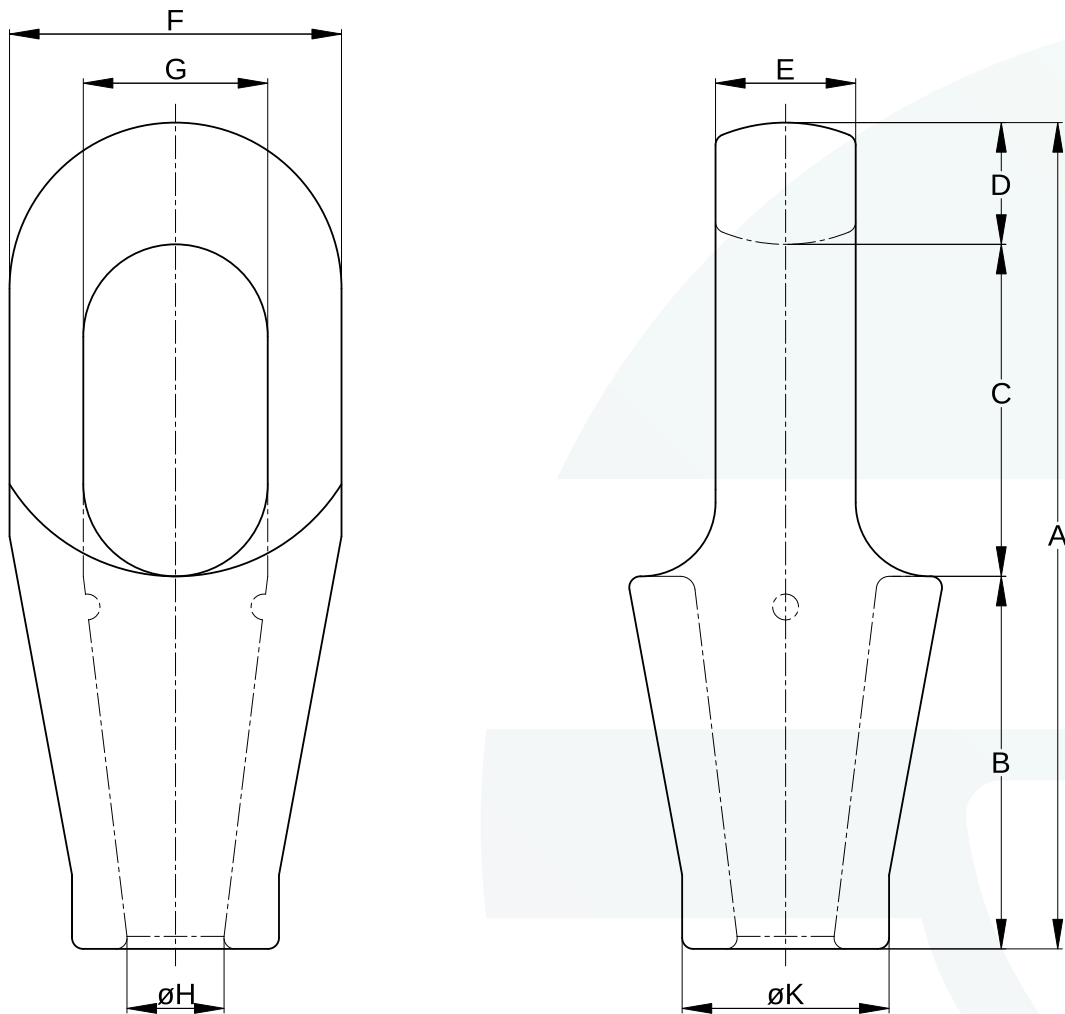
MBL = Minimum Breaking Load

All sockets are supplied with a hot dipped galvanized finish. APS 522 - APS 540 are also available in aqua-blue primer (RAL 5018).

For more information read our 'Warnings and instructions for use'.



Closed Spelter Sockets



Available for wire rope sizes from $\varnothing 6$ mm to $\varnothing 128$ mm (1/4" to 5") with an efficiency rating of 100%. Meets the performance requirements of the EN 13411-4 norm.



AQUALLINE CLOSED SPELTER SOCKET. MM DIMENSIONS

Model Number	MBL (Mtons)	For Wire Rope Ø mm	Structural Strand Ø mm	Approx. Resin Volume (cc)	Dimensions (mm)									Weight (kg)
					A	B	C	D	E	F	G	ØH	ØK	
CSS 296	8	6 - 7	-	10	102	46	45	11	14	38	22	10	20	0.3
CSS 297	12	8 - 10	-	20	120	54	52	14	17.5	44	24	13.5	26	0.5
CSS 298	20	11 - 13	-	35	140	64	59	17	23	53	30	15	30	0.7
CSS 299	25	14 - 16	12 - 13	50	162	76	65	21	26	67	36	18.5	38.5	1.3
CSS 200	40	18 - 19	14 - 16	80	194	89	78	27	32	77	42	22.5	46	2.1
CSS 201	55	20 - 22	18 - 19	125	224	101	90	33	38	92	50	26.8	55	3.6
CSS 204	80	23 - 26	20 - 22	160	253	114	103	36	45	101	57	29.5	62	5.1
CSS 207	100	27 - 30	24 - 26	210	282	127	116	39	51	114	65	34	70	7
CSS 212	130	31 - 36	27 - 28	350	312	139	130	43	57	127	71	40	83	10.4
CSS 215	160	37 - 39	30 - 32	425	358	152	155	51	63	140	80	44.5	90	15
CSS 217	200	40 - 42	33 - 35	500	390	165	171	54	70	148	84	48	97	18.5
CSS 219	250	43 - 48	36 - 40	700	443	190	198	55	76	171	95	53	112	27.5
CSS 222	300	49 - 54	42 - 45	1250	502	216	224	62	82	193	111	58.5	125	39.5
CSS 224	375	55 - 60	46 - 48	1425	550	229	248	73	92	219	125	68.5	135	51
CSS 226	450	61 - 68	50 - 54	1850	597	248	270	79	102	241	140	77.5	150	67
CSS 227	500	69 - 75	56 - 62	2300	644	279	286	79	124	273	159	83	160	96
CSS 228	600	76 - 80	64 - 67	3400	689	305	298	86	133	292	171	89	170	118
CSS 229	650	81 - 86	70 - 73	4100	736	330	311	95	146	311	184	95	180	142
CSS 230	750	87 - 93	76 - 80	5200	788	356	330	102	159	330	197	99	200	175
CSS 231	900	94 - 102	83 - 92	7700	845	381	356	108	178	362	216	110	215	230
CSS 233	1200	108 - 115	96 - 108	10500	965	440	400	125	190	405	235	128	250	315
CSS 240	1400	120 - 128	112 - 121	14000	1070	490	450	130	205	450	260	143	270	390

AQUALLINE CLOSED SPELTER SOCKET. INCH DIMENSIONS

Model Number	MBL (Mtons)	For Wire Rope Ø inch	Structural Strand Ø inch	Approx. Resin Volume (cc)	Dimensions (inch)									Weight (lbs)
					A	B	C	D	E	F	G	ØH	ØK	
CSS 296	8	1/4	-	10	4.00	1.81	1.77	0.43	0.55	1.50	0.87	0.39	0.78	0.7
CSS 297	12	5/16 - 3/8	-	20	4.70	2.16	2.00	0.55	0.69	1.74	0.95	0.53	1.02	1.1
CSS 298	20	7/16 - 1/2	-	35	5.50	2.52	2.32	0.67	0.91	2.10	1.18	0.60	1.18	1.6
CSS 299	25	9/16 - 5/8	1/2	50	6.40	3.00	2.56	0.83	1.02	2.52	1.42	0.73	1.52	3
CSS 200	40	3/4	9/16 - 5/8	80	7.60	3.50	3.07	1.06	1.26	2.95	1.65	0.89	1.81	4.5
CSS 201	55	7/8	1 1/16 - 3/4	125	8.80	4.00	3.54	1.30	1.50	3.54	1.97	1.05	2.17	8
CSS 204	80	1	1 3/16 - 7/8	160	10.00	4.50	4.05	1.42	1.77	4.00	2.24	1.16	2.44	11
CSS 207	100	1 1/8	1 5/16 - 1	210	11.10	5.00	4.60	1.54	2.00	4.50	2.56	1.39	2.76	15
CSS 212	130	1 1/4 - 1 3/8	1 1/16 - 1 1/8	350	12.30	5.50	5.12	1.70	2.24	5.00	2.80	1.57	3.27	23
CSS 215	160	1 1/2	1 3/16 - 1 1/4	425	14.10	6.00	6.10	2.00	2.48	5.60	3.10	1.75	3.50	33
CSS 217	200	1 5/8	1 5/16 - 1 3/8	500	15.40	6.50	6.70	2.13	2.76	5.90	3.20	1.90	3.80	41
CSS 219	250	1 3/4 - 1 7/8	1 7/16 - 1 5/8	700	17.40	7.50	7.80	2.17	3.00	6.70	3.74	2.10	4.40	61
CSS 222	300	2 - 2 1/8	1 11/16 - 1 3/4	1250	19.80	8.50	8.50	2.40	3.23	7.60	4.37	2.30	4.90	87
CSS 224	375	2 1/4 - 2 3/8	1 13/16 - 1 7/4	1425	21.70	9.00	9.76	2.87	3.63	8.60	4.92	2.70	5.30	112
CSS 226	450	2 1/2 - 2 5/8	1 15/16 - 2 1/8	1850	23.50	9.76	10.60	3.10	4.00	9.50	5.50	3.05	5.90	148
CSS 227	500	2 3/4 - 2 7/8	2 3/16 - 2 7/16	2300	25.40	11.00	11.30	3.10	4.90	10.70	6.30	3.25	6.30	211
CSS 228	600	3 - 3 1/8	2 1/2 - 2 5/8	3400	27.10	12.00	11.70	3.40	5.20	11.50	6.70	3.50	6.70	258
CSS 229	650	3 1/4 - 3 3/8	2 3/4 - 2 7/8	4100	29.00	13.00	12.20	3.70	5.70	12.30	7.20	3.75	7.10	312
CSS 230	750	3 1/2 - 3 5/8	3 - 3 1/8	5200	31.00	14.00	13.00	4.00	6.50	13.00	7.80	3.90	7.90	385
CSS 231	900	3 3/4 - 4	3 1/4 - 3 3/8	7700	33.30	15.00	14.00	4.30	7.00	14.30	8.50	4.33	8.50	506
CSS 233	1200	4 1/4 - 4 1/2	3 3/4 - 4 1/4	10500	38.00	17.30	15.70	5.00	7.50	16.00	9.30	5.00	9.80	695
CSS 240	1400	4 3/4 - 5	4 7/16 - 4 3/4	14000	42.00	19.30	17.70	5.10	8.10	17.70	10.30	5.60	10.60	860

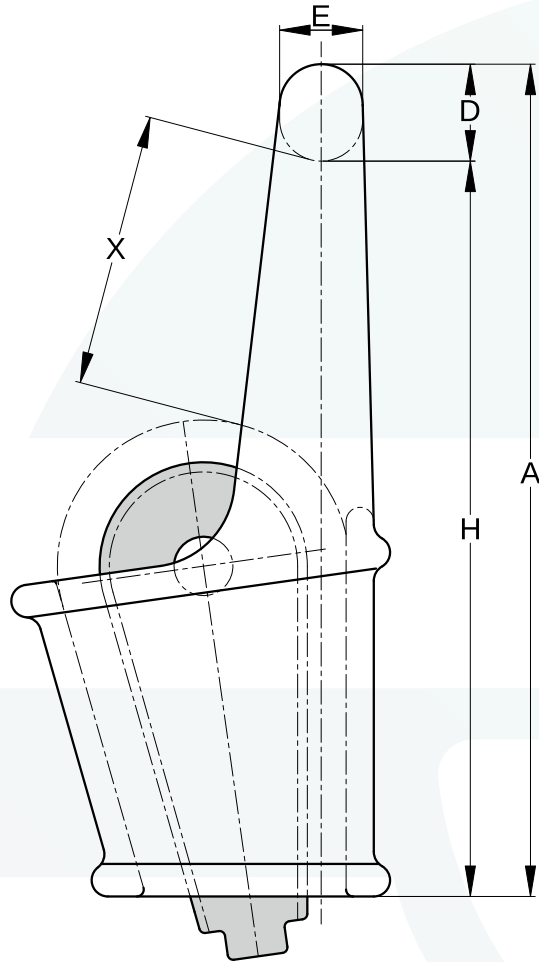
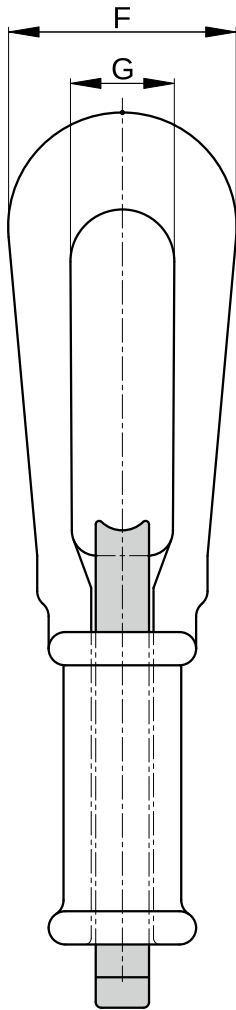
MBL = Minimum Breaking Load

All sockets are supplied with a hot dipped galvanized finish. CSS 207 - CSS 240 are also available in aqua-blue primer (RAL 5018).

For more information read our 'Warnings and instructions for use'.



Closed Wedge Sockets



Available for wire rope sizes from \varnothing 17 mm to \varnothing 86 mm ($3/4''$ to $3\ 3/8''$) with an efficiency rating of 85-92%. Meets the performance requirements of the EN 13411-6 norm.



AQUALLINE CLOSED WEDGE SOCKET. MM DIMENSIONS

Model Number	MBL (Mtons)	For Wire Rope Ø mm	Dimensions (mm)							Weight (kg)
			A	D	E	F	G	H	X	
CWS 303	40	17 - 19	317	40	36	100	42	277	100	7
CWS 304	55	20 - 22	368	45	40	115	50	323	110	9
CWS 305	80	23 - 26	422	52	45	130	60	370	125	14
CWS 306	100	27 - 29	473	58	50	150	65	415	140	22
CWS 307	120	30 - 32	519	62	55	160	72	457	160	30
CWS 308	130	34 - 36	580	66	60	168	76	514	175	38
CWS 309	160	37 - 39	620	72	66	175	82	548	190	49
CWS 310	200	40 - 42	665	80	72	195	90	585	210	65
CWS 311	250	43 - 48	750	90	80	220	100	660	240	110
CWS 312	300	49 - 52	820	100	90	242	110	720	260	140
CWS 313	375	54 - 58	890	106	95	255	120	784	280	170
CWS 314	450	60 - 68	1045	120	105	280	130	925	330	240
CWS 315	600	72 - 76	1200	140	120	330	150	1060	400	380
CWS 316	650	81 - 86	1340	155	130	375	170	1185	475	490

AQUALLINE CLOSED WEDGE SOCKET. INCH DIMENSIONS

Model Number	MBL (Mtons)	For Wire Rope Ø inch	Dimensions (inch)							Weight (lbs)
			A	D	E	F	G	H	X	
CWS 303	40	3/4	12.50	1.60	1.40	4.00	1.65	10.90	4.00	15.5
CWS 304	55	7/8	14.50	1.80	1.60	4.50	2.00	12.70	4.30	20
CWS 305	80	1	16.60	2.00	1.80	5.10	2.30	14.60	5.00	31
CWS 306	100	1 1/8	18.60	2.30	2.00	5.90	2.60	16.30	5.50	49
CWS 307	120	1 1/4	20.50	2.50	2.15	6.30	2.80	18.00	6.30	66
CWS 308	130	1 3/8	22.80	2.60	2.50	6.60	3.00	20.20	7.00	84
CWS 309	160	1 1/2	24.40	2.80	2.60	6.90	3.20	21.60	7.50	108
CWS 310	200	1 5/8	26.20	3.15	2.80	7.70	3.50	23.00	8.25	145
CWS 311	250	1 3/4 - 1 7/8	29.50	3.50	3.15	8.70	4.00	26.00	9.50	240
CWS 312	300	2	32.30	4.00	3.50	9.50	4.30	28.30	10.25	310
CWS 313	375	2 1/4	35.00	4.20	3.70	10.00	4.70	30.80	11.00	370
CWS 314	450	2 1/2	41.10	4.70	4.10	11.00	5.10	36.40	13.00	530
CWS 315	600	3	47.20	5.50	4.70	13.00	5.90	41.70	15.75	840
CWS 316	650	3 1/4 - 3 3/8	52.80	6.10	5.10	14.80	6.70	46.60	18.70	1180

MBL = Minimum Breaking Load

X = Depending on the actual wire rope diameter, rope construction and fill factor

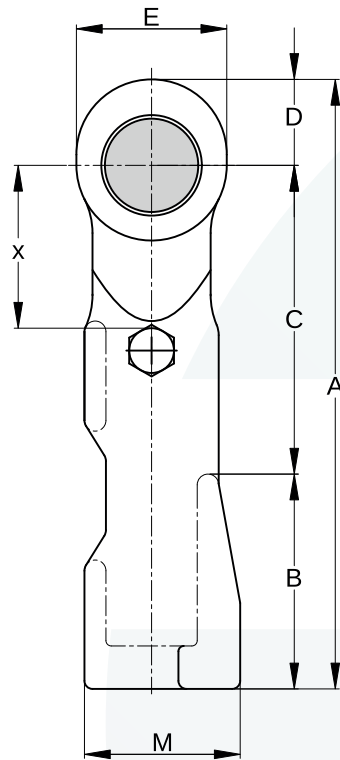
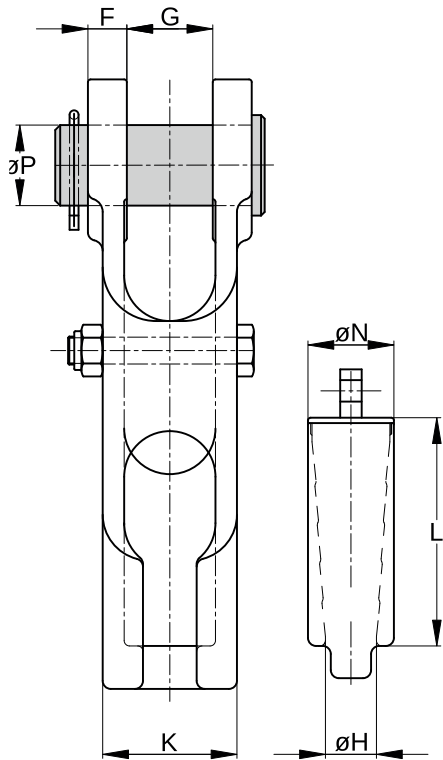
All sockets are supplied with a hot dipped galvanized finish or available in aqua-blue primer (RAL 5018).

For more information read our 'Warnings and instructions for use'.

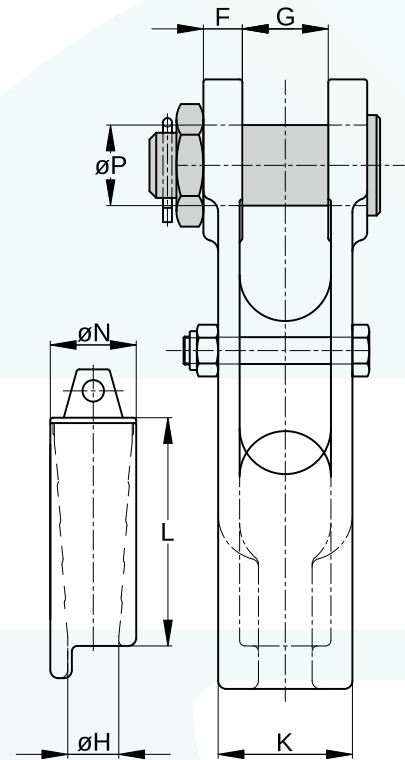


Fast Connector Sockets

with pin



with bolt



Available for wire rope sizes from $\varnothing 11$ mm to $\varnothing 52$ mm ($7/16''$ to $2''$) with an efficiency rating of 100%. Standard version with pin and cotter pin. Also available with bolt, nut and cotter pin. Each Fast Connector Socket contains a Connector Fitting with a non-rotating device.



AQUALLINE FAST CONNECTOR SOCKET. MM DIMENSIONS

Model Number	MBL (Mtons)	For Wire Rope Ø mm	Approx. Resin Volume (cc)	Dimensions (mm)														Weight (kg)
				A	B	C	D	E	F	G	ØH	K	L	M	ØN	ØP	X	
FCS 701	20	11 - 13	35	190	65	97	28	48	12.5	26	15	40	70	47	26	25	45	1.7
FCS 702	25	13 - 16	50	227	80	115	32	56	14.5	32	19	50	84	58	32	30	58	2.6
FCS 703	40	17 - 19	80	260	90	130	40	68	16.5	38	22	60	98	70	39	35	64	3.9
FCS 704	55	20 - 22	125	303	110	145	48	80	20.5	45	26.5	69	117	80	45	41	82	6.7
FCS 705	80	23 - 26	160	365	125	182	58	98	22.5	51	29.5	80	138	93	52	51	95	10.5
FCS 706	100	27 - 29	210	400	140	195	65	110	25	57	33.5	90	157	104	58	57	97	13.5
FCS 707	120	30 - 32	350	426	150	205	72	124	28	63	36.5	98	170	111	64	63	100	19
FCS 708	130	33 - 36	425	465	170	220	76	132	28	70	40	102	183	117	68	63	110	23
FCS 709	160	37 - 39	500	502	182	240	80	140	30	76	43	110	207	125	76	70	115	41
FCS 710	200	40 - 42	700	550	200	265	85	148	33	76	48	126	230	142	85	76	125	50
FCS 711	250	43 - 48	1250	620	225	300	98	170	39	89	56	140	260	157	95	89	135	65
FCS 712	300	49 - 52	1425	685	240	335	108	186	46	101	60	157	285	175	104	95	150	80

AQUALLINE FAST CONNECTOR SOCKET. INCH DIMENSIONS

Model Number	MBL (Mtons)	For Wire Rope Ø inch	Approx. Resin Volume (cc)	Dimensions (inch)														Weight (lbs)
				A	B	C	D	E	F	G	ØH	K	L	M	ØN	ØP	X	
FCS 701	20	7/16 - 1/2	35	7.50	2.60	3.80	1.10	1.90	0.50	1.00	0.60	1.60	2.80	1.90	1.03	1.00	1.80	3.8
FCS 702	25	1/2 - 5/8	50	8.90	3.10	4.50	1.30	2.20	0.57	1.26	0.75	2.00	3.30	2.30	1.26	1.18	2.30	5.8
FCS 703	40	2/3 - 3/4	80	10.20	3.50	5.10	1.60	2.70	0.65	1.50	0.85	2.36	3.90	2.80	1.50	1.38	2.50	8.6
FCS 704	55	7/8	125	11.90	4.30	5.70	1.90	3.10	0.81	1.77	1.05	2.70	4.60	3.10	1.77	1.60	3.20	15
FCS 705	80	1	160	14.40	4.90	7.20	2.30	3.60	0.89	2.00	1.16	3.10	5.40	3.70	2.00	2.00	3.70	23
FCS 706	100	1 1/8	210	15.70	5.50	7.70	2.60	4.30	1.00	2.25	1.32	3.50	6.20	4.10	2.30	2.25	3.80	30
FCS 707	120	1 1/4	350	16.80	5.90	8.10	2.80	4.90	1.10	2.50	1.44	3.90	6.70	4.40	2.50	2.50	3.90	42
FCS 708	130	1 3/8	425	18.30	6.70	8.70	3.00	5.20	1.10	2.75	1.58	4.00	7.20	4.60	2.70	2.50	4.30	51
FCS 709	160	1 1/2	500	19.80	7.20	9.50	3.10	5.50	1.20	3.00	1.70	4.30	8.20	4.90	3.00	2.75	4.50	90
FCS 710	200	1 5/8	700	21.70	7.90	10.40	3.30	5.80	1.30	3.00	1.90	5.00	9.10	5.60	3.30	3.00	4.90	110
FCS 711	250	1 3/4 - 1 7/8	1250	24.40	8.90	11.80	3.90	6.70	1.53	3.50	2.20	5.50	10.20	6.20	3.70	3.50	5.30	145
FCS 712	300	2	1425	27.00	9.50	13.20	4.30	7.30	1.81	4.00	2.36	6.20	11.20	6.90	4.10	3.75	5.90	175

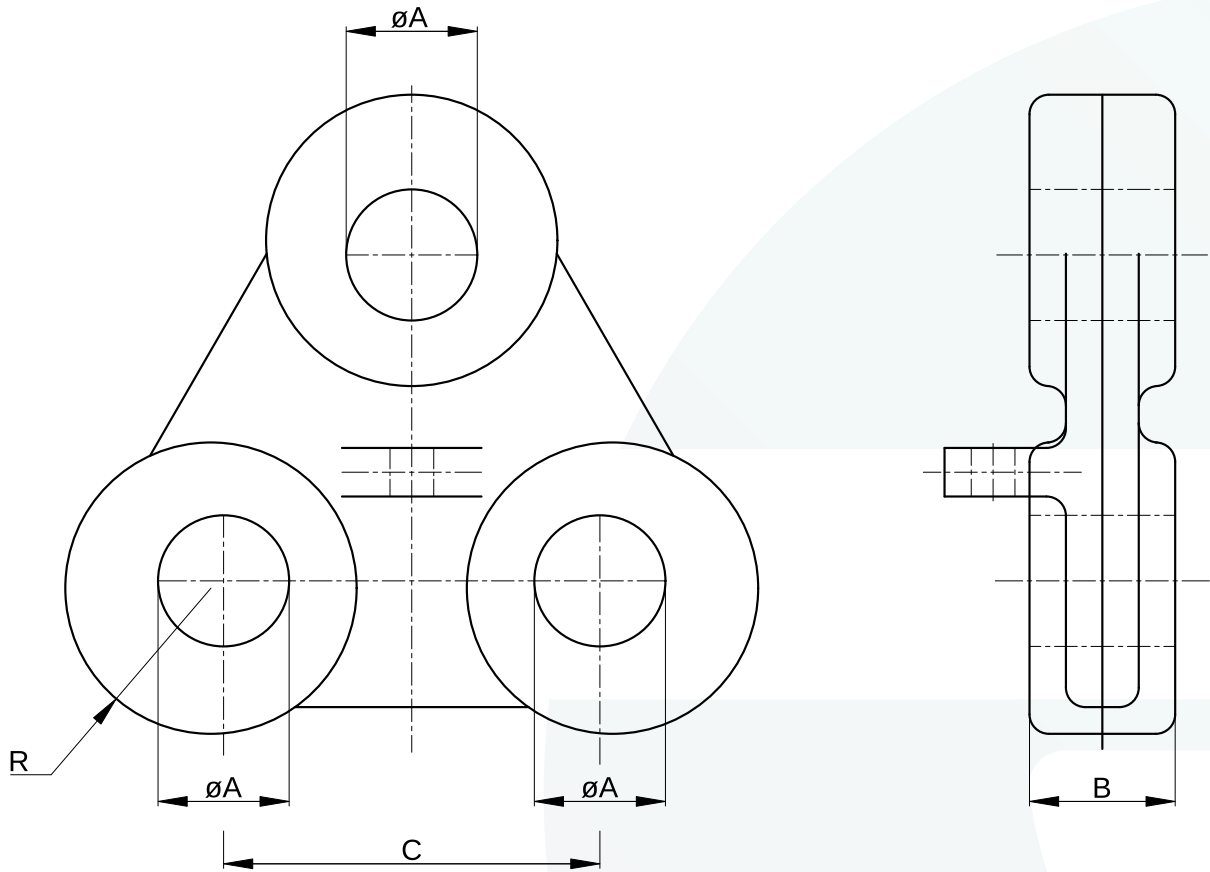
MBL = Minimum Breaking Load

All sockets are supplied with a zinc plated finish. FCS 704 - FCS 712 are also available in aqua-blue primer (RAL 5018).

For more information read our 'Warnings and instructions for use'.



Heavy Duty Triangle Plates



Available from size HDTP 9.5 to HDTP 500. From HDTP 25 and above, all triangle plates have a lifting eye and shackle for safe and easy handling during assembly. Suitable for commercial bow shackles that are designed according to EN 13889 or Fed. Spec. RR-C.271.



AQUALLINE HEAVY DUTY TRIANGLE PLATE. MM DIMENSIONS

Model Number	SWL (Mtons)	MBL (Mtons)	Dimensions (mm)				Weight (kg)
			Ø A	B	C	R	
HDTP 9.5	9.5	50	35	40	110	45	5
HDTP 12	12	70	38	42	120	48	6.5
HDTP 13.5	13.5	80	41	48	130	50	8
HDTP 17	17	100	46	52	140	55	10.5
HDTP 25	25	125	54	60	155	65	16.5
HDTP 35	35	175	62	70	175	75	25
HDTP 55	55	275	76	90	210	90	46
HDTP 85	85	425	88	100	240	105	69
HDTP 120	120	600	100	118	280	120	107
HDTP 150	150	750	115	142	310	135	163
HDTP 200	200	1000	140	150	380	170	260
HDTP 250	250	1250	150	160	425	180	345
HDTP 300	300	1500	160	178	450	193	435
HDTP 400	400	2000	186	205	480	215	680
HDTP 500	500	2500	200	225	510	240	860

AQUALLINE HEAVY DUTY TRIANGLE PLATE. INCH DIMENSIONS

Model Number	SWL (Mtons)	MBL (Mtons)	Dimensions (inch)				Weight (lbs)
			Ø A	B	C	R	
HDTP 9.5	9.5	50	1.38	1.57	4.3	1.77	11
HDTP 12	12	70	1.5	1.65	4.7	1.9	14
HDTP 13.5	13.5	80	1.6	1.9	5.1	1.97	17
HDTP 17	17	100	1.8	2	5.5	2.2	22
HDTP 25	25	125	2.1	2.4	6.1	2.6	36
HDTP 35	35	175	2.4	2.8	6.9	3	55
HDTP 55	55	275	3	3.5	8.3	3.5	102
HDTP 85	85	425	3.5	3.9	9.5	4.1	152
HDTP 120	120	600	3.9	4.7	11	4.7	235
HDTP 150	150	750	4.5	5.6	12.2	5.3	360
HDTP 200	200	1000	5.5	5.9	15	6.7	570
HDTP 250	250	1250	5.9	6.3	16.7	7.1	760
HDTP 300	300	1500	6.3	7	17.7	7.6	950
HDTP 400	400	2000	7.3	8.1	18.9	8.5	1500
HDTP 500	500	2500	7.9	8.9	20	9.5	1900

SWL = Safe Working Load

MBL = Minimum Breaking Load

All heavy duty triangle plates are supplied with a hot dipped galvanized finish.

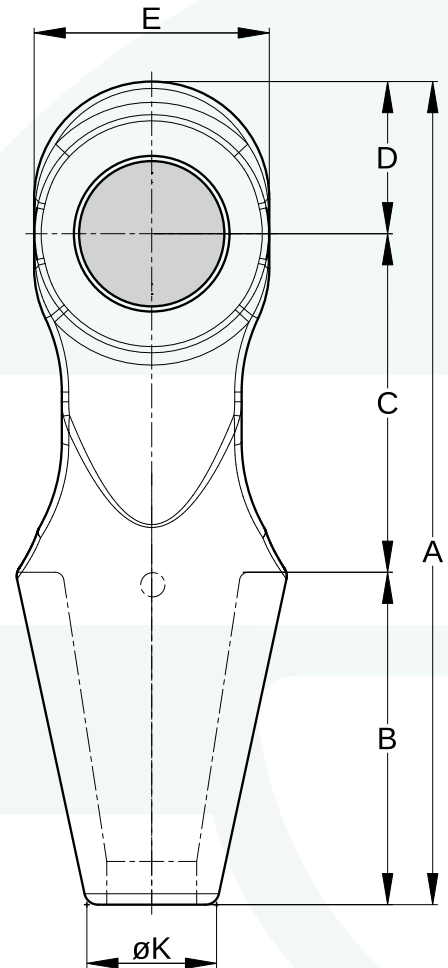
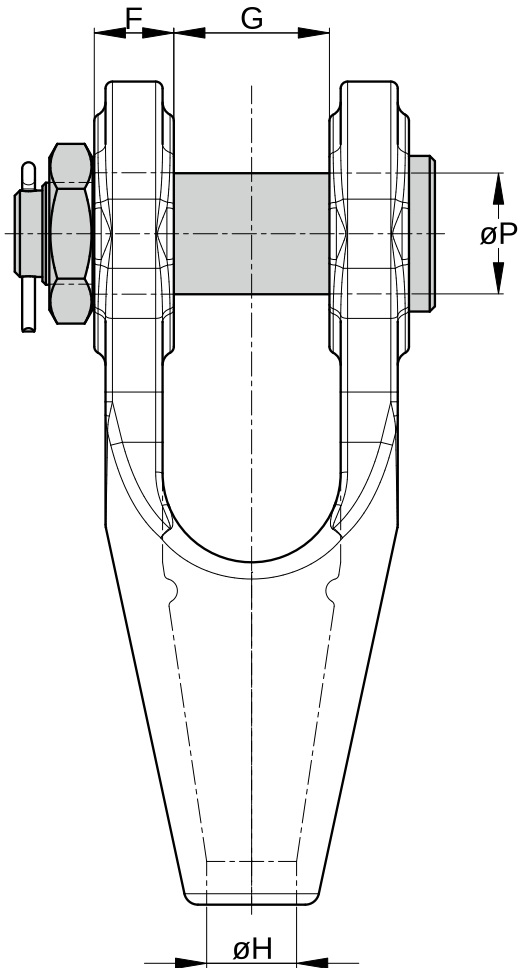
HDTP 25 – HDTP 500 are also available in aqua-blue primer (RAL 5018).

For more information read our 'Warnings and instructions for use'.



Mobile Harbor Crane Sockets

with bolt



Available for wire rope sizes from \varnothing 31 mm to \varnothing 54 mm with an efficiency rating of 100%.
Standard with bolt, nut and cotter pin. Also available with Roller.



AQUALLINE MOBILE HARBOR CRANE SOCKET. MM DIMENSIONS

Model Number	Equivalent of Model Number	Compatible with Model Number	MBL (Mtons)	For Wire Rope Ø mm	Approx. Resin Volume (cc)	Dimensions (mm)									Weight (kg)	
						A	B	C	D	E	F	G	ØH	ØK		ØP
MHCS 6	OJS 36B	Gottwald 6	110	31 - 34	450	370	160	138	72	124	30	70	45	90	55	19
MHCS 7	OSS 117B	Gottwald 7	125	35 - 38	750	415	175	170	75	130	41	80	48	65	60	25
MHCS 8	OSS 119B	Gottwald 8	175	39 - 43	1000	476	198	190	88	136	46	90	53	75	70	32
MHCS 9	OSS 129B	Gottwald 9	225	46 - 54	1500	580	235	235	110	170	50	106	67	95	80	55

MBL = Minimum Breaking Load

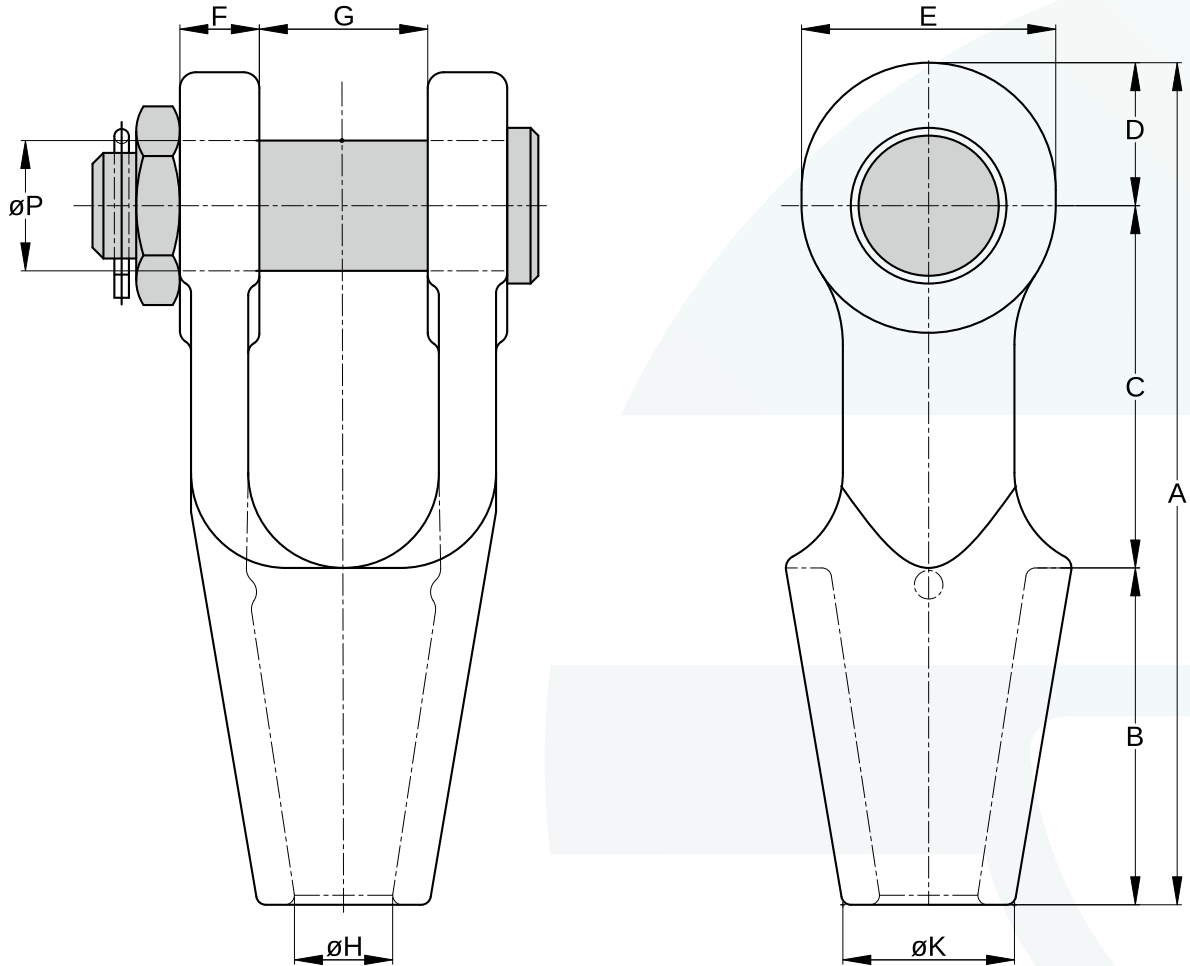
All sockets are supplied with a hot dipped galvanized finish or available in aqua-blue primer (RAL 5018).

For more information read our 'Warnings and instructions for use'.



Open DIN Sockets

with bolt



Available for wire rope sizes from \varnothing 12 mm to \varnothing 68 mm ($1/2''$ to $2\ 5/8''$) with an efficiency rating of 100%. Standard with bolt, nut and cotter pin. Meets the performance requirements of the DIN 83313 norm and exceeds the required MBL.



AQUALLINE OPEN DIN SOCKET. MM DIMENSIONS

Model Number	MBL (Mtons)	For Wire Rope Ø mm	Approx. Resin Volume (cc)	Dimensions (mm)										Weight (kg)
				A	B	C	D	E	F	G	ØH	ØK	ØP	
ODS 1.6	12	12 - 14	30	149	60	65	24	44	14	27	17	32	20	1
ODS 2.5	20	14 - 18	50	177	69	79	29	52	16	33	20	38	24	1.6
ODS 3	25	16 - 20	80	198	78	87	33	58	18	38	23	43	27	2.1
ODS 4	30	18 - 22	100	215	84	96	35	62	20	42	25	46	30	2.9
ODS 5	40	20 - 24	125	242	94	106	42	74	23	47	27	50	36	4.3
ODS 6	50	22 - 28	150	265	106	114	45	80	25	53	30	54	39	6
ODS 8	60	26 - 30	200	292	115	127	50	90	27	60	33	60	45	8.5
ODS 10	70	28 - 34	270	321	125	140	56	100	29	66	36	65	48	11.5
ODS 12	80	32 - 38	400	354	140	156	58	104	33	73	40	70	52	15
ODS 16	120	36 - 42	600	399	159	173	67	120	36	81	45	80	60	21.5
ODS 20	160	40 - 44	750	437	174	190	73	130	42	90	51	90	68	28
ODS 25	200	44 - 48	1000	485	190	215	83	150	63	100	55	100	72	42
ODS 32	250	50 - 54	1400	525	209	231	95	170	70	110	65	118	80	60
ODS 40	320	58 - 64	2000	596	237	263	107	190	79	125	75	132	90	75
ODS 50	400	62 - 68	2700	658	262	288	110	200	80	140	80	150	100	105

AQUALLINE OPEN DIN SOCKET. INCH DIMENSIONS

Model Number	MBL (Mtons)	For Wire Rope Ø inch	Approx. Resin Volume (cc)	Dimensions (inch)										Weight (lbs)
				A	B	C	D	E	F	G	ØH	ØK	ØP	
ODS 1.6	12	1/2 - 7/16	30	5.9	2.4	2.5	0.95	1.7	0.55	1.1	0.7	1.3	0.8	2.2
ODS 2.5	20	7/16 - 9/16	50	7	2.7	3.1	1.15	2	0.63	1.3	0.8	1.5	0.95	4
ODS 3	25	5/8 - 3/4	80	7.8	3.1	3.4	1.3	2.3	0.7	1.5	0.9	1.7	1.1	5
ODS 4	30	9/16 - 7/8	100	8.5	3.3	3.8	1.4	2.4	0.8	1.7	1.0	1.8	1.2	7
ODS 5	40	3/4 - 1	125	9.5	3.7	4.2	1.7	2.9	0.9	1.9	1.1	2	1.4	10
ODS 6	50	7/8 - 1 1/8	150	10.5	4.2	4.5	1.8	3.2	1	2.1	1.2	2.1	1.5	13
ODS 8	60	1 - 1 3/16	200	11.5	4.5	5	2	3.5	1.1	2.4	1.3	2.4	1.8	19
ODS 10	70	1 1/8 - 1 5/16	270	12.6	4.9	5.5	2.2	3.9	1.2	2.5	1.4	2.6	1.9	25
ODS 12	80	1 1/4 - 1 1/2	400	14	5.5	6.1	2.3	4.1	1.3	2.9	1.6	2.8	2	33
ODS 16	120	1 3/8 - 1 5/8	600	15.7	6.3	6.8	2.6	4.7	1.4	3.2	1.8	3.2	2.4	48
ODS 20	160	1 5/8 - 1 3/4	750	17.2	6.9	7.5	2.9	5.1	1.6	3.5	2	3.5	2.7	62
ODS 25	200	1 3/4 - 1 7/8	1000	19.1	7.5	8.5	3.3	5.9	2.5	3.9	2.2	4	2.8	92
ODS 32	250	1 15/16 - 2 1/4	1400	20.7	8.2	9.1	3.7	6.7	2.8	4.3	2.6	4.6	3.2	132
ODS 40	320	2 1/4 - 2 1/2	2000	23.5	9.3	10.4	4.2	7.5	3.1	4.9	2.9	5.2	3.5	165
ODS 50	400	2 7/16 - 2 5/8	2700	26	10.3	11.3	4.3	7.9	3.2	5.5	3.1	5.9	3.9	230

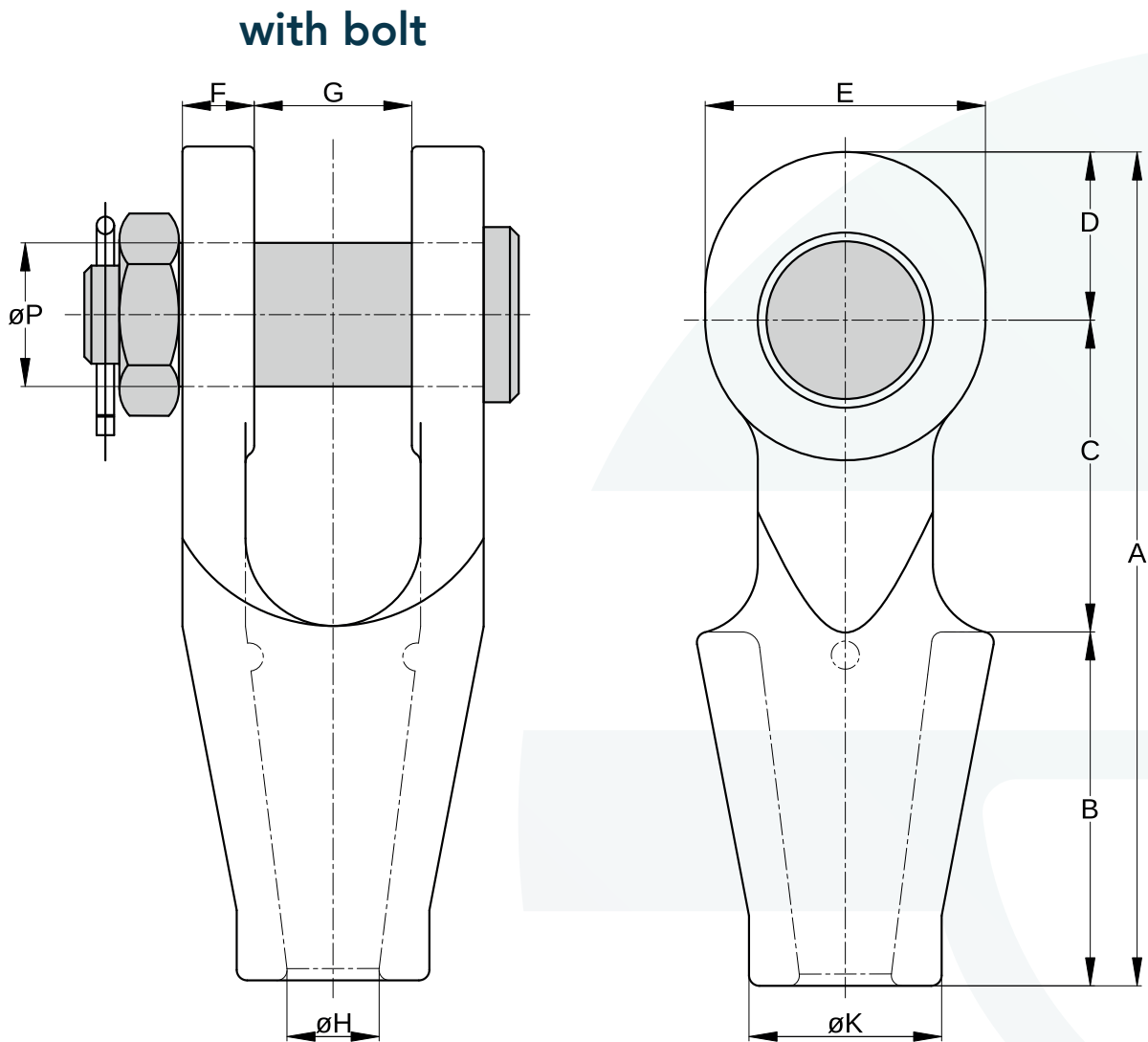
MBL = Minimum Breaking Load

All sockets are supplied with a hot dipped galvanized finish. ODS 10 - ODS 50 are also available in aqua-blue primer (RAL 5018).

For more information read our 'Warnings and instructions for use'.



Open JIS Sockets



Available for wire rope sizes from $\varnothing 15$ mm to $\varnothing 43$ mm ($5/8''$ to $1\ 5/8''$) with an efficiency rating of 100%. Standard with bolt, nut and cotter pin. Meets the performance requirements of the JIS F 3432-1995 norm and exceeds the required MBL.



AQUALLINE OPEN JIS SOCKET. MM DIMENSIONS

Model Number	MBL (Mtons)	For Wire Rope Ø mm	Approx. Resin Volume (cc)	Dimensions (mm)										Weight (kg)
				A	B	C	D	E	F	G	ØH	ØK	ØP	
OJS 16	24	15 - 16	50	183	76	75	32	56	13	32	20	39	25	1.7
OJS 18	30	17 - 18	80	207	89	80	38	64	15	38	23	45	28	2.6
OJS 20	36	19 - 20	125	220	95	85	40	70	16.5	42	25	48	31	3.6
OJS 22	40	21 - 22	160	235	101	89	45	80	20.5	45	30	58	34	5.1
OJS 24	48	23 - 24	175	264	114	101	49	86	22.5	51	32	62	37	6.7
OJS 25	60	25 - 26	200	276	120	105	51	90	22.5	51	34	65	40	7.5
OJS 28	72	27 - 28	230	299	127	114	58	100	25	57	36	70	43	10
OJS 30	80	29 - 30	300	313	135	118	60	104	25	57	38	75	46	11
OJS 32	90	31 - 32	350	331	139	127	65	110	28	63	41	83	49	14.2
OJS 34	100	33 - 34	400	347	150	130	67	114	28	63	43	83	52	16
OJS 36	110	35 - 36	450	370	160	138	72	124	30	70	45	90	55	19
OJS 38	120	37 - 38	500	389	170	145	74	128	30	72	47	90	58	22
OJS 40	135	39 - 40	600	406	175	155	76	130	33.5	76	50	97	61	27
OJS 42	150	41 - 43	700	430	191	160	79	136	39	80	53	100	65	36

AQUALLINE OPEN JIS SOCKET. INCH DIMENSIONS

Model Number	MBL (Mtons)	For Wire Rope Ø inch	Approx. Resin Volume (cc)	Dimensions (inch)										Weight (lbs)
				A	B	C	D	E	F	G	ØH	ØK	ØP	
OJS 16	24	5/8	50	7.20	3.00	3.00	1.26	2.20	0.50	1.26	0.80	1.50	1.00	3.8
OJS 18	30	11/16	80	8.15	3.50	3.15	1.50	2.50	0.60	1.50	0.90	1.80	1.10	5.7
OJS 20	36	3/4	125	8.70	3.75	3.35	1.60	2.75	0.65	1.65	1.00	1.90	1.20	8
OJS 22	40	7/8	160	9.25	4.00	3.50	1.80	3.15	0.80	1.77	1.20	2.30	1.34	11.2
OJS 24	48	15/16	175	10.40	4.50	4.00	1.90	3.40	0.90	2.00	1.26	2.40	1.46	14.8
OJS 25	60	1	200	10.90	4.75	4.14	2.00	3.50	0.90	2.00	1.34	2.60	1.57	16.5
OJS 28	72	1 1/8	230	11.80	5.00	4.50	2.30	4.00	1.00	2.25	1.42	2.80	1.70	22
OJS 30	80	1 3/16	300	12.30	5.30	4.65	2.40	4.10	1.00	2.25	1.50	3.00	1.80	24
OJS 32	90	1 1/4	350	13.00	5.50	5.00	2.50	4.30	1.10	2.50	1.61	3.30	1.93	31
OJS 34	100	1 5/16	400	13.70	5.90	5.10	2.60	4.50	1.10	2.50	1.70	3.30	2.00	35
OJS 36	110	1 3/8	450	14.60	6.30	5.40	2.80	4.90	1.20	2.75	1.77	3.50	2.17	42
OJS 38	120	1 1/2	500	15.30	6.70	5.70	2.90	5.00	1.20	2.80	1.85	3.50	2.30	48
OJS 40	135	1 9/16	600	16.00	6.90	6.10	3.00	5.10	1.32	3.00	1.97	3.80	2.40	60
OJS 42	150	1 5/8	700	16.90	7.50	6.30	3.10	5.40	1.53	3.15	2.10	4.00	2.60	80

MBL = Minimum Breaking Load

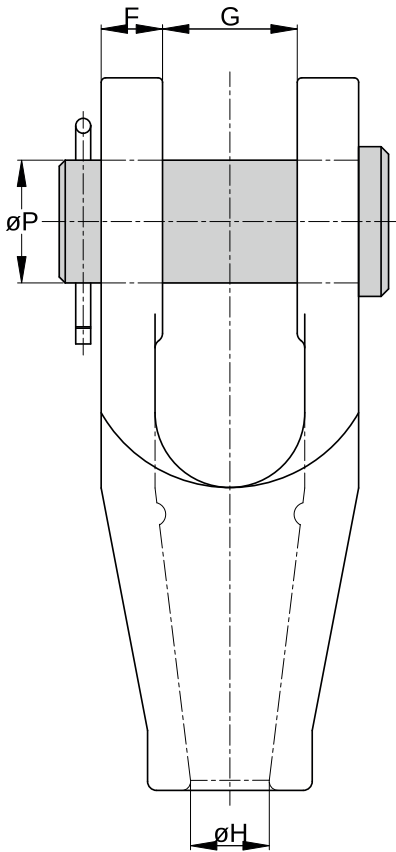
All sockets are supplied with a hot dipped galvanized finish.

For more information read our 'Warnings and instructions for use'.

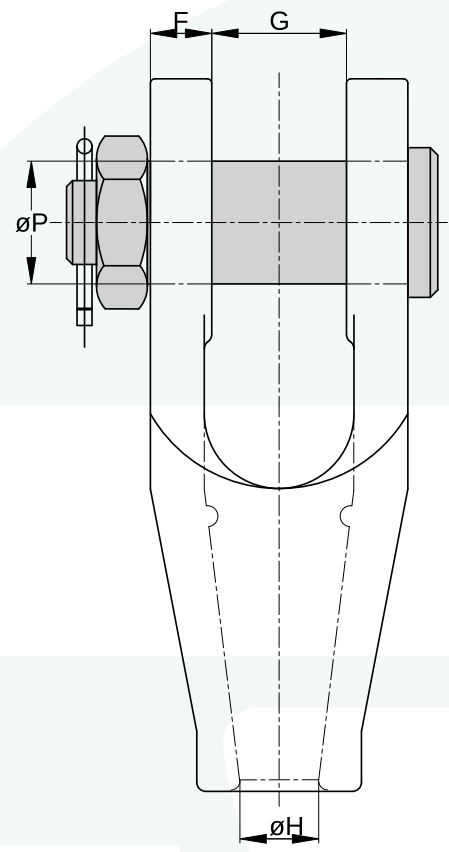
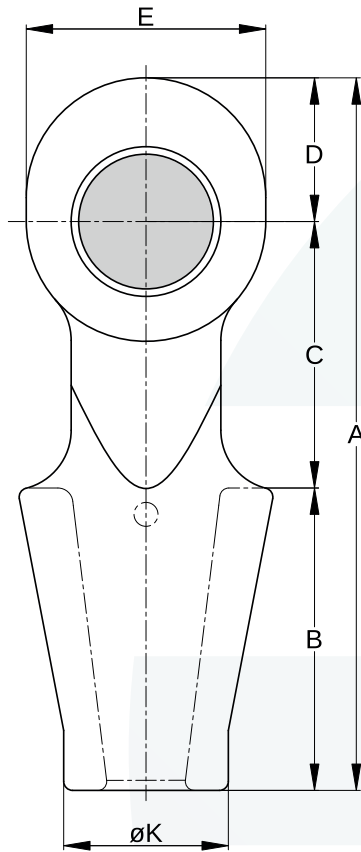


Open Spelter Sockets

with pin



with bolt



Available for wire rope sizes from $\varnothing 6$ mm to $\varnothing 128$ mm ($\frac{1}{4}$ " to 5") with an efficiency rating of 100%. Standard version with pin and cotter pin. Also available with bolt, nut and cotter pin. Meets the performance requirements of the EN 13411-4 norm.



AQUALLINE OPEN SPELTER SOCKET. MM DIMENSIONS

Model Number	MBL (Mtons)	For Wire Rope Ø mm	Structural Strand Ø mm	Approx. Resin Volume (cc)	Dimensions (mm)										Weight (kg)
					A	B	C	D	E	F	G	ØH	ØK	ØP	
OSS 196	8	6 - 7	-	10	105	46	40	19	34	9	18	10	20	17.5	0.4
OSS 197	12	8 - 10	-	20	122	54	45	23	40	11.2	20.6	13.5	26	20.6	0.8
OSS 198	20	11 - 13	-	35	142	64	51	27	48	12.7	25.6	15	30	25.4	1.1
OSS 199	25	14 - 16	12 - 13	50	171	76	63	32	56	14.5	32	18.5	38.5	30	1.9
OSS 100	40	18 - 19	14 - 16	80	205	89	76	40	68	16.5	38	22.5	46	35	3.2
OSS 104	55	20 - 22	18 - 19	125	238	101	89	48	80	20.5	45	26.8	55	41	5.3
OSS 108	80	23 - 26	20 - 22	160	273	114	101	58	98	22.5	51	29.5	62	51	8.4
OSS 111	100	27 - 30	24 - 26	210	306	127	114	65	110	25	57	34	70	57	11.3
OSS 115	130	31 - 36	27 - 28	350	338	139	127	72	124	28	63	40	83	63	16
OSS 118	160	37 - 39	30 - 32	425	394	152	162	80	140	30	76	44.5	90	70	23
OSS 120	200	40 - 42	33 - 35	500	415	165	165	85	148	33.5	76	48	97	76	29
OSS 125	250	43 - 48	36 - 40	700	467	191	178	98	170	39	89	53	112	89	43
OSS 128	300	49 - 54	42 - 45	1250	552	216	228	108	186	46	101	58.5	125	95	64
OSS 130	375	55 - 60	46 - 48	1425	603	229	254	120	210	53	113	68.5	135	108	85
OSS 132	450	61 - 68	50 - 54	1850	654	248	273	133	230	60	127	77.5	150	121	119
OSS 135	500	69 - 75	56 - 62	2300	696	279	279	138	240	73	133	83	160	127	158
OSS 138	600	76 - 80	64 - 67	3400	736	305	286	145	250	76	146	89	170	133	186
OSS 140	650	81 - 86	70 - 73	4100	790	330	300	160	275	79	159	95	180	140	227
OSS 142	750	87 - 93	76 - 80	5200	849	356	318	175	300	82	172	99	200	152	280
OSS 144	900	94 - 102	88 - 96	7700	922	381	343	198	336	89	191	110	215	178	375
OSS 145	1000	103 - 108	98 - 102	9000	995	406	381	208	356	95	203	118	240	185	435
OSS 146	1200	108 - 115	104 - 111	10500	1110	440	450	220	370	100	205	128	250	195	525
OSS 150	1400	120 - 128	112 - 121	14000	1185	490	440	255	430	113	225	143	270	220	680

AQUALLINE OPEN SPELTER SOCKET. INCH DIMENSIONS

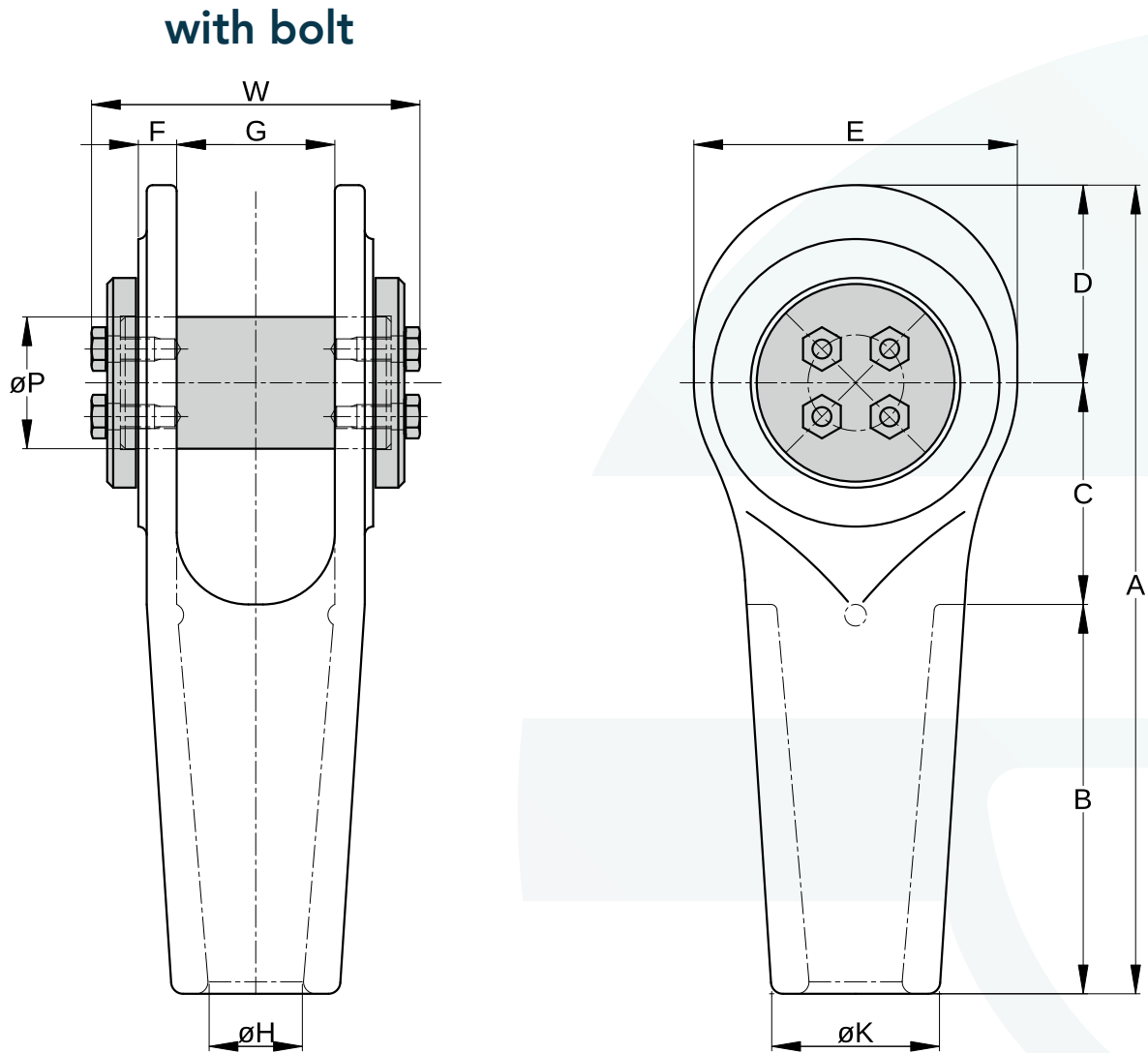
Model Number	MBL (Mtons)	For Wire Rope Ø inch	Structural Strand Ø inch	Approx. Resin Volume (cc)	Dimensions (inch)										Weight (lbs)
					A	B	C	D	E	F	G	ØH	ØK	ØP	
OSS 196	8	1/4	-	10	4.13	1.81	1.60	0.75	1.34	0.35	0.71	0.39	0.78	0.69	0.9
OSS 197	12	5/16 - 3/8	-	20	4.80	2.16	1.80	0.90	1.57	0.44	0.81	0.53	1.02	0.81	1.8
OSS 198	20	7/16 - 1/2	-	35	5.60	2.52	2.00	1.10	1.89	0.50	1.00	0.60	1.18	1.00	2.4
OSS 199	25	9/16 - 5/8	1/2	50	6.70	3.00	2.50	1.30	2.20	0.57	1.26	0.73	1.52	1.19	4.2
OSS 100	40	3/4	9/16 - 5/8	80	8.10	3.50	3.00	1.60	2.76	0.65	1.50	0.89	1.81	1.38	7
OSS 104	55	7/8	11/16 - 3/4	125	9.40	4.00	3.50	1.90	3.15	0.81	1.75	1.05	2.17	1.63	11.7
OSS 108	80	1	13/16 - 7/8	160	10.70	4.50	4.00	2.30	4.00	0.89	2.00	1.16	2.44	2.00	18
OSS 111	100	1 1/8	15/16 - 1	210	12.00	5.00	4.50	2.60	4.33	1.00	2.25	1.39	2.76	2.25	25
OSS 115	130	1 1/4 - 1 3/8	1 1/16 - 1 1/8	350	13.30	5.50	5.00	2.80	4.80	1.10	2.50	1.57	3.27	2.50	35
OSS 118	160	1 1/2	1 3/16 - 1 1/4	425	15.50	6.00	6.40	3.15	5.52	1.18	3.00	1.75	3.50	2.75	51
OSS 120	200	1 5/8	1 5/16 - 1 3/8	500	16.30	6.50	6.50	3.35	5.90	1.30	3.00	1.90	3.80	3.00	64
OSS 125	250	1 3/4 - 1 7/8	1 7/16 - 1 5/8	700	18.40	7.50	7.00	3.86	6.70	1.53	3.50	2.10	4.40	3.50	95
OSS 128	300	2 - 2 1/8	1 11/16 - 1 3/4	1250	21.70	8.50	9.00	4.25	7.30	1.81	4.00	2.30	4.90	3.75	141
OSS 130	375	2 1/4 - 2 3/8	1 13/16 - 1 7/8	1425	23.70	9.00	10.00	4.72	8.27	2.10	4.50	2.70	5.30	4.25	190
OSS 132	450	2 1/2 - 2 5/8	1 15/16 - 2 1/8	1850	25.70	9.70	10.70	5.23	9.10	2.36	5.00	3.05	5.90	4.75	260
OSS 135	500	2 3/4 - 2 7/8	2 3/16 - 2 7/16	2300	27.40	11.00	11.00	5.43	9.45	2.90	5.25	3.25	6.30	5.00	348
OSS 138	600	3 - 3 1/8	2 1/2 - 2 5/8	3400	29.00	12.00	11.30	5.70	9.84	3.00	5.75	3.50	6.70	5.25	410
OSS 140	650	3 1/4 - 3 3/8	2 3/4 - 2 7/8	4100	31.10	13.00	11.80	6.30	10.83	3.12	6.25	3.75	7.10	5.50	500
OSS 142	750	3 1/2 - 3 5/8	3 - 3 1/8	5200	33.40	14.00	12.50	6.90	11.80	3.25	6.75	3.90	7.90	6.00	615
OSS 144	900	3 3/4 - 4	3 1/2 - 3 3/4	7700	36.30	15.00	13.50	7.80	13.20	3.50	7.50	4.33	8.50	7.00	825
OSS 145	1000	4 - 4 1/4	3 7/8 - 4	9000	39.20	16.00	15.00	8.20	14.00	3.75	8.00	4.65	9.50	7.28	960
OSS 146	1200	4 1/4 - 4 1/2	4 1/8 - 4 3/8	10500	43.70	17.30	17.70	8.70	14.60	4.00	8.10	5.00	9.80	7.70	1150
OSS 150	1400	4 3/4 - 5	4 7/16 - 4 3/4	14000	46.70	19.30	17.30	10.00	17.00	4.40	8.90	5.60	10.60	8.70	1500

MBL = Minimum Breaking Load

All sockets are supplied with a hot dipped galvanized finish. OSS 111 - OSS 150 are also available in aqua-blue primer (RAL 5018). For more information read our 'Warnings and instructions for use'.



Open Strand Spelter Sockets



Available in sizes from $\varnothing 20$ mm to $\varnothing 95$ mm structural strand ($3/4''$ to $3 3/4''$) with an efficiency rating of 100%. Standard version with bolt and two retainer plates.



AQUALLINE OPEN STRAND SPELTER SOCKET. MM DIMENSIONS

Model Number	MBL (Mtons)	Structural Strand Ø mm	Approx. Resin Volume (cc)	Dimensions (mm)											Weight (kg)
				A	B	C	D	E	F	G	ØH	ØK	ØP	W	
OSSS 420	50	20	100	225	100	70	55	90	12.5	46	27	48	40	120	3.5
OSSS 425	70	25	160	275	125	80	66	110	14.5	57	32	57	45	135	6
OSSS 430	100	30	220	318	150	90	78	130	17.5	68	37	66	55	160	10
OSSS 435	125	35	400	355	175	95	85	140	19.5	74	44	78	60	175	15
OSSS 440	175	40	800	395	200	105	95	160	22	84	49	86	65	185	18
OSSS 445	225	45	1200	446	225	115	106	176	24	92	57	98	75	210	27
OSSS 450	280	50	1600	503	250	130	123	200	26	104	62	108	85	230	35
OSSS 455	360	55	2000	560	275	150	135	220	28	112	67	116	90	250	52
OSSS 460	450	60	2500	613	300	165	148	240	30	124	74	130	100	265	70
OSSS 465	500	65	3000	675	325	185	165	270	33	132	80	140	110	280	86
OSSS 470	560	70	4000	728	350	200	178	290	37	143	87	150	120	300	111
OSSS 475	600	75	5000	785	375	220	190	310	39	158	92	162	130	340	160
OSSS 480	700	80	6000	838	400	235	203	330	45	168	98	173	140	360	190
OSSS 485	800	85	7000	895	420	260	215	350	51	178	104	188	145	400	230
OSSS 490	900	90	8000	950	440	275	235	380	57	190	111	208	154	425	275
OSSS 495	1000	95	9000	1040	450	330	260	410	62	198	120	255	164	450	350

AQUALLINE OPEN STRAND SPELTER SOCKET. INCH DIMENSIONS

Model Number	MBL (Mtons)	Structural Strand Ø inch	Approx. Resin Volume (cc)	Dimensions (inch)											Weight (lbs)
				A	B	C	D	E	F	G	ØH	ØK	ØP	W	
OSSS 420	50	3/4	100	8.90	4.00	2.80	2.15	3.50	0.50	1.80	1.00	1.90	1.57	4.70	8
OSSS 425	70	1	160	10.90	5.00	3.15	2.60	4.30	0.60	2.40	1.20	2.40	1.77	5.30	13
OSSS 430	100	1 1/8	220	12.50	6.00	3.50	3.10	5.10	0.70	2.70	1.40	2.60	2.16	6.30	22
OSSS 435	125	1 3/8	400	14.00	7.00	3.70	3.40	5.50	0.80	2.90	1.70	3.10	2.36	6.90	32
OSSS 440	175	1 5/8	800	15.50	8.00	4.10	3.70	6.30	0.86	3.30	1.90	3.40	2.55	7.30	40
OSSS 445	225	1 3/4	1200	17.60	8.90	4.50	4.20	6.90	0.90	3.60	2.20	3.90	2.95	8.30	60
OSSS 450	280	2	1600	19.80	9.90	5.10	4.80	7.80	1.00	4.10	2.40	4.30	3.40	9.00	75
OSSS 455	360	2 1/8	2000	22.00	10.80	6.00	5.30	8.70	1.10	4.40	2.60	4.60	3.54	9.90	110
OSSS 460	450	2 3/8	2500	24.10	11.80	6.50	5.80	9.50	1.20	4.90	2.80	5.10	3.95	10.40	150
OSSS 465	500	2 1/2	3000	26.60	12.80	7.30	6.50	10.60	1.30	5.20	3.10	5.50	4.30	11.00	180
OSSS 470	560	2 3/4	4000	28.70	13.80	7.90	7.00	11.40	1.50	5.60	3.40	5.90	4.70	11.80	240
OSSS 475	600	3	5000	30.90	14.80	8.70	7.50	12.20	1.60	6.20	3.50	6.40	5.10	13.40	350
OSSS 480	700	3 1/4	6000	33.00	15.70	9.30	8.00	13.00	1.80	6.60	3.80	6.80	5.50	14.20	420
OSSS 485	800	3 1/3	7000	35.20	16.50	10.20	8.50	13.80	2.00	7.00	4.00	7.40	5.70	15.70	510
OSSS 490	900	3 1/2	8000	37.40	17.30	10.80	9.20	15.00	2.20	7.50	4.30	8.20	6.10	16.70	600
OSSS 495	1000	3 3/4	9000	41.00	18.00	13.00	10.20	16.10	2.40	7.80	4.70	10.00	6.50	17.70	770

MBL = Minimum Breaking Load

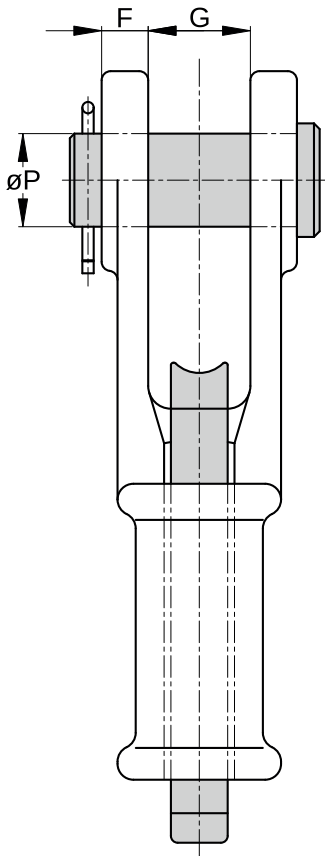
All sockets are supplied with a hot dipped galvanized finish or available in aqua-blue primer (RAL 5018).

For more information read our 'Warnings and instructions for use'.

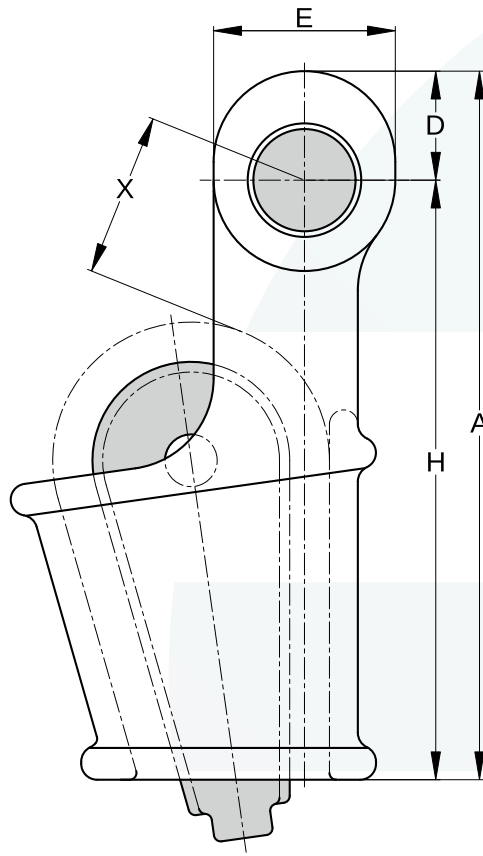
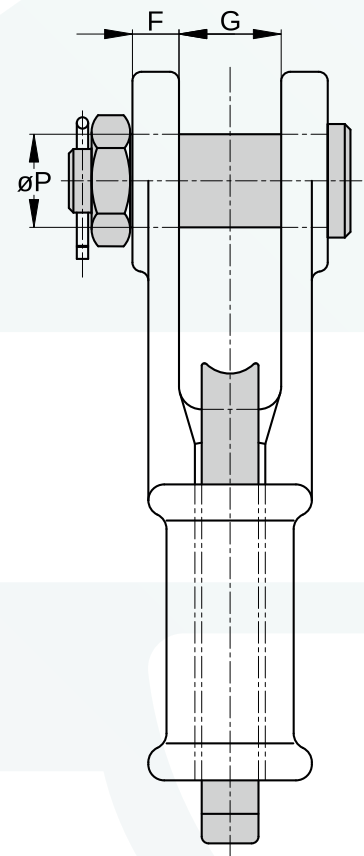


Open Wedge Sockets

with pin



with bolt



Available for wire rope sizes from \varnothing 5 mm to \varnothing 86 mm (1/4" to 3 3/8") with an efficiency rating of 85-92%. Standard version with pin and cotter pin. Also available with bolt, nut and cotter pin. Meets the performance requirements of the EN 13411-6 norm.



AQUALLINE OPEN WEDGE SOCKET. MM DIMENSIONS

Model Number	MBL (Mtons)	For Wire Rope Ø mm	Dimensions (mm)								Weight (kg)
			A	D	E	F	G	H	ØP	X	
OWS 0,15	5	5 - 6	101	17	30	8	17	84	16	35	0,5
OWS 0.25	8	7 - 8	130	20	34	9	18	110	17.5	40	0.7
OWS 0.5	12	9 - 10	150	23	40	11	20.5	125	20.6	45	1.2
OWS 1	20	11 - 13	183	27	48	12.7	25.6	156	25.4	60	2.3
OWS 2	25	14 - 16	224	32	56	14.5	32	192	30	65	3.6
OWS 3	40	17 - 19	272	40	68	16.5	38	232	35	70	6.3
OWS 4	55	20 - 22	312	48	80	20.5	45	264	41	80	10.3
OWS 5	80	23 - 26	370	58	100	22.5	51	312	51	90	16
OWS 6	100	27 - 29	413	65	110	25	57	348	57	100	21.5
OWS 7	120	30 - 32	455	72	124	28	63	384	63	110	30
OWS 8	130	34 - 36	508	76	132	28	70	432	63	125	36
OWS 9	160	37 - 39	548	80	140	30	76	468	70	140	50
OWS 10	200	40 - 42	589	85	150	33	76	504	76	155	60
OWS 11	250	43 - 48	674	98	170	39	89	576	89	175	90
OWS 12	300	49 - 52	733	108	186	46	101	625	95	195	125
OWS 13	375	54 - 58	816	120	210	53	113	696	108	220	175
OWS 14	450	60 - 68	950	133	230	60	127	817	121	250	250
OWS 15	600	72 - 76	1057	145	250	76	146	912	133	280	400
OWS 16	650	81 - 86	1160	160	275	79	159	1000	140	330	515

AQUALLINE OPEN WEDGE SOCKET. INCH DIMENSIONS

Model Number	MBL (Mtons)	For Wire Rope Ø inch	Dimensions (inch)								Weight (lbs)
			A	D	E	F	G	H	ØP	X	
OWS 0,15	5	1/4	4	0,67	1,18	0,31	0,67	3,3	0,63	1,38	1,2
OWS 0.25	8	5/16	5.12	0.80	1.34	0.35	0.70	4.30	0.69	1.60	1.6
OWS 0.5	12	3/8	5.90	0.90	1.60	0.43	0.83	4.92	0.81	1.77	2.6
OWS 1	20	7/16 - 1/2	7.20	1.06	1.90	0.50	1.00	6.14	1.00	2.36	4.6
OWS 2	25	9/16 - 5/8	8.80	1.26	2.20	0.57	1.26	7.56	1.18	2.56	8
OWS 3	40	3/4	10.70	1.58	2.76	0.65	1.50	9.13	1.38	2.76	14
OWS 4	55	7/8	12.30	1.90	3.15	0.81	1.77	10.40	1.60	3.15	22.5
OWS 5	80	1	14.60	2.28	3.94	0.89	2.00	12.30	2.00	3.54	35
OWS 6	100	1 1/8	16.30	2.60	4.33	1.00	2.25	13.70	2.25	3.94	47.5
OWS 7	120	1 1/4	17.90	2.80	4.80	1.10	2.50	15.10	2.50	4.33	66
OWS 8	130	1 3/8	20.00	3.00	5.20	1.10	2.75	17.00	2.50	4.92	79
OWS 9	160	1 1/2	21.50	3.15	5.50	1.20	3.00	18.40	2.75	5.50	110
OWS 10	200	1 5/8	23.20	3.35	5.90	1.30	3.00	19.85	3.00	6.10	132
OWS 11	250	1 3/4 - 1 7/8	26.50	3.86	6.70	1.53	3.50	22.70	3.50	6.90	198
OWS 12	300	2	28.90	4.25	7.32	1.81	4.00	24.60	3.75	7.70	275
OWS 13	375	2 1/4	32.10	4.70	8.26	2.10	4.50	27.40	4.25	8.66	385
OWS 14	450	2 1/2	37.40	5.24	9.10	2.36	5.00	32.10	4.75	9.84	550
OWS 15	600	3	41.60	5.70	9.84	3.00	5.75	35.90	5.25	11.00	880
OWS 16	650	3 1/4 - 3 3/8	45.70	10.80	10.80	3.10	6.25	39.40	5.50	13.00	1130

MBL = Minimum Breaking Load

X = Depending on the actual wire rope diameter, rope construction and fill factor

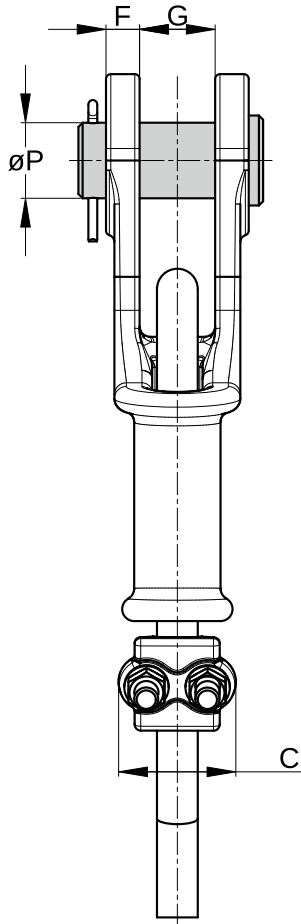
All sockets are supplied with a hot dipped galvanized finish. OWS 4 - OWS 16 are also available in aqua-blue primer (RAL 5018).

For more information read our 'Warnings and instructions for use'.

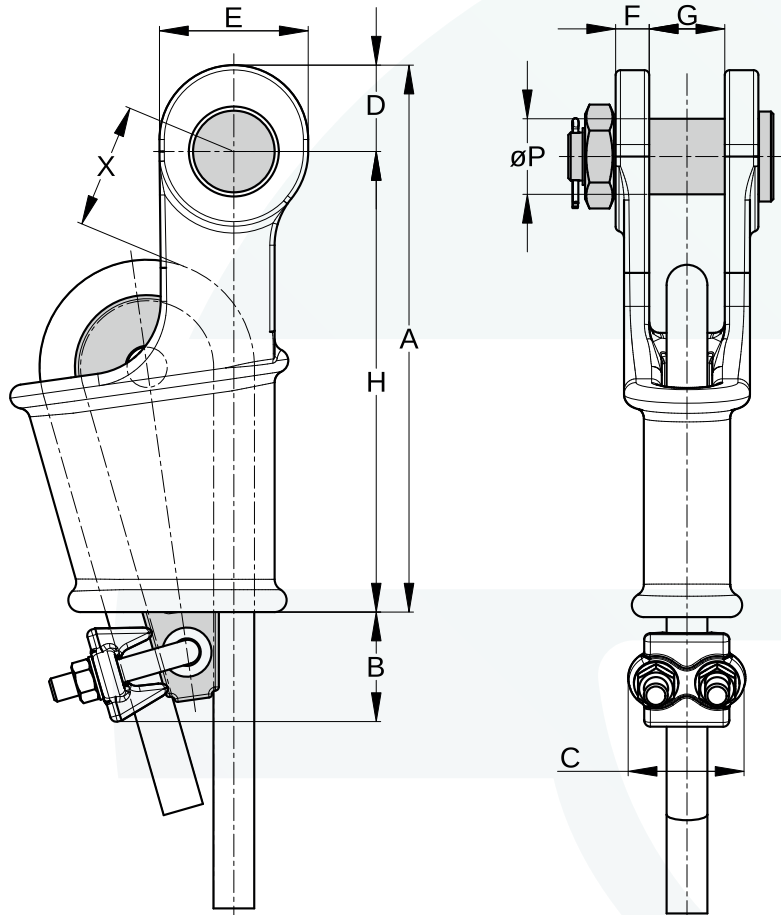


Open Wedge Sockets with Integrated Tail Clamp

with pin



with bolt



Available for wire rope sizes from \varnothing 5 mm to \varnothing 36 mm (1/4" to 1 3/8") with an efficiency rating of 85-92%. Standard version with pin and cotter pin. Also available with bolt, nut and cotter pin. Meets the performance requirements of the EN 13411-6 norm.



AQUALLINE OPEN WEDGE SOCKET WITH INTEGRATED TAIL CLAMP. MM DIMENSIONS

Model Number	MBL (Mtons)	For Wire Rope Ø mm	Dimensions (mm)										Weight (kg)
			A	B	C	D	E	F	G	H	ØP	X	
OWS ITC 0.15	5	5 - 6	101	35	37	17	30	8	17	84	16	35	0.5
OWS ITC 0.25	8	7 - 8	130	40	43	20	34	9	18	110	17.5	40	0.8
OWS ITC 0.5	12	9 - 10	150	50	50	23	40	11	20.5	125	20.6	45	1.6
OWS ITC 1	20	11 - 13	183	55	58	27	48	12.7	25.6	156	25.4	60	2.7
OWS ITC 2	25	14 - 16	224	60	64	32	56	14.5	32	192	30	65	4.3
OWS ITC 3	40	17 - 19	272	65	72	40	68	16.5	38	232	35	70	7.3
OWS ITC 4	55	20 - 22	312	75	80	48	80	20.5	45	264	41	80	11.5
OWS ITC 5	80	23 - 26	370	80	88	58	100	22.5	51	312	51	90	17
OWS ITC 6	100	27 - 29	413	85	91	65	110	25	57	348	57	100	22.5
OWS ITC 7	120	30 - 32	455	90	105	72	124	28	63	384	63	110	32
OWS ITC 8	130	34 - 36	508	95	106	76	132	28	70	432	63	125	39

AQUALLINE OPEN WEDGE SOCKET WITH INTEGRATED TAIL CLAMP. INCH DIMENSIONS

Model Number	MBL (Mtons)	For Wire Rope Ø inch	Dimensions (inch)										Weight (lbs)
			A	B	C	D	E	F	G	H	ØP	X	
OWS ITC 0.15	5	1/4	4	1.38	1.46	0.67	1.18	0.31	0.67	3.30	0.63	1.38	1.1
OWS ITC 0.25	8	5/16	5.12	1.57	1.69	0.80	1.34	0.35	0.70	4.30	0.69	1.60	1.8
OWS ITC 0.5	12	3/8	5.90	1.97	1.97	0.90	1.60	0.43	0.83	4.92	0.81	1.77	3.5
OWS ITC 1	20	7/16 - 1/2	7.20	2.17	2.28	1.06	1.90	0.50	1.00	6.14	1.00	2.36	5.9
OWS ITC 2	25	9/16 - 5/8	8.80	2.36	2.52	1.26	2.20	0.57	1.26	7.56	1.18	2.56	9.5
OWS ITC 3	40	3/4	10.70	2.56	2.83	1.58	2.76	0.65	1.50	9.13	1.38	2.76	16.1
OWS ITC 4	55	7/8	12.30	2.95	3.15	1.90	3.15	0.81	1.77	10.40	1.60	3.15	25.3
OWS ITC 5	80	1	14.60	3.15	3.46	2.28	3.94	0.89	2.00	12.30	2.00	3.54	37.5
OWS ITC 6	100	1 1/8	16.30	3.35	3.58	2.60	4.33	1.00	2.25	13.70	2.25	3.94	50
OWS ITC 7	120	1 1/4	17.90	3.54	4.13	2.80	4.80	1.10	2.50	15.10	2.50	4.33	70
OWS ITC 8	130	1 3/8	20.00	3.74	4.17	3.00	5.20	1.10	2.75	17.00	2.50	4.92	86

OWS Model Number	0.15	0.25	0.5	1	2	3	4	5	6	7	8
WRC Model Number	005	008	010	013	016	019	022	026	029	032	035
MM Dimensions	5 - 6	7 - 8	9 - 10	11 - 13	14 - 16	17 - 19	20 - 22	23 - 26	27 - 29	30 - 32	35 - 36
Inch Dimensions	3/16	5/16	3/8	1/2	5/8	3/4	7/8	1	1 1/8	1 1/4	1 3/8
Torque Nm	10	41	61	88	130	177	306	306	306	490	490
Torque ft-lbs	7.5	30	45	65	95	130	225	225	225	360	360

MBL = Minimum Breaking Load

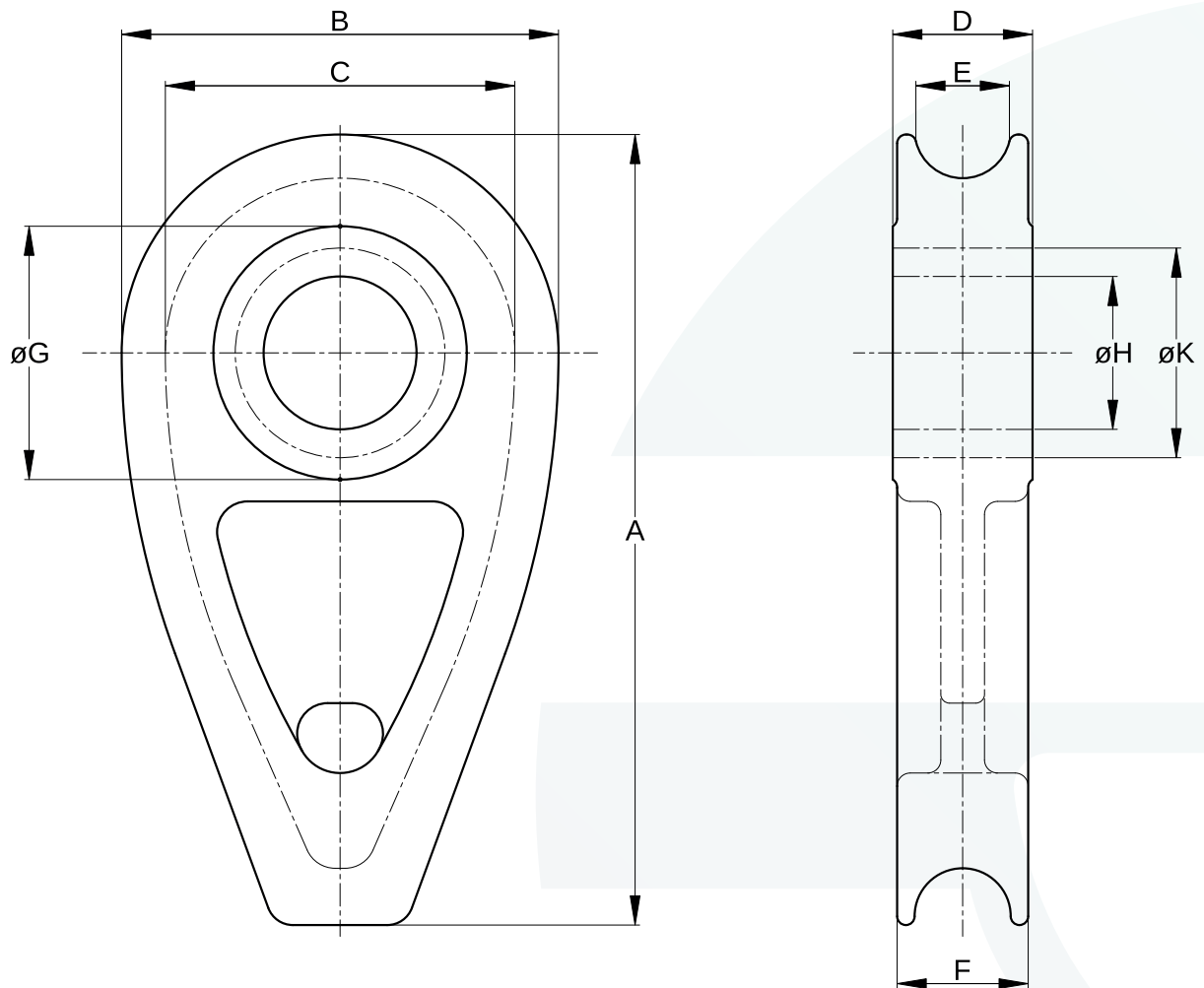
B & X = Depending on the actual wire rope diameter, rope construction and fill factor

All sockets are supplied with a hot dipped galvanized finish. OWS ITC 4 - OWS ITC 8 are also available in aqua-blue primer (RAL 5018).

For more information read our 'Warnings and instructions for use'.



Solid Wire Rope Thimbles



Available for wire rope sizes from $\varnothing 7$ mm to $\varnothing 80$ mm ($5/16''$ to $3''$) with an efficiency rating of 90%. Meets the performance requirements of the prEN 13411-9 norm.



AQUALLINE SOLID WIRE ROPE THIMBLE. MM DIMENSIONS

Model Number	For Wire Rope Ø mm	Dimensions (mm)									Weight (kg)
		A	B	C	D	E	F	ØG	ØH	ØK	
SWRT 8	7 - 8	74	40	32	15.5	9	14	28	14	22	0.2
SWRT 10	9 - 10	92	50	40	18	11	16.5	32	18	27	0.35
SWRT 12	11 - 12	110	60	48	20.5	13	19	40	21	34	0.55
SWRT 14	13 - 14	128	70	56	24	16	22.5	45	25	38	0.9
SWRT 16	15 - 16	146	80	64	27	18	25	50	28	43	1
SWRT 18	17 - 18	167	90	72	29	20	27	54	31	49	1.4
SWRT 20	19 - 20	181	100	80	32	22	30	58	35	52	2
SWRT 22	21 - 22	204	110	88	34	24	32	65	40	59	2.4
SWRT 24	23 - 24	222	120	96	37	26	35	70	42	62	3
SWRT 26	25 - 26	235	130	104	40	29	37	75	45	68	4
SWRT 28	27 - 28	259	140	112	43	31	40	80	48	72	5
SWRT 32	30 - 32	297	160	128	47	35	44	90	53	82	7
SWRT 36	34 - 36	334	180	144	54	40	51	100	60	90	11
SWRT 40	38 - 40	366	200	160	60	44	56	118	65	105	15
SWRT 44	42 - 44	403	220	176	64	48	60	125	70	112	19.2
SWRT 48	46 - 48	440	240	192	70	53	66	140	76	125	24.6
SWRT 52	50 - 52	476	260	208	75	57	71	150	82	135	30.4
SWRT 56	54 - 56	514	280	224	82	62	78	160	88	145	39.4
SWRT 64	58 - 64	586	320	256	92	70	88	180	95	165	50
SWRT 72	68 - 72	659	360	288	103	78	98	200	105	180	70
SWRT 80	76 - 80	720	400	320	115	88	109	220	115	200	100

AQUALLINE SOLID WIRE ROPE THIMBLE. INCH DIMENSIONS

Model Number	For Wire Rope Ø inch	Dimensions (inch)									Weight (lbs)
		A	B	C	D	E	F	ØG	ØH	ØK	
SWRT 8	5/16	2.90	1.60	1.25	0.60	0.35	0.55	1.10	0.55	0.86	0.45
SWRT 10	3/8	3.60	2.00	1.60	0.70	0.43	0.65	1.25	0.70	1.06	0.8
SWRT 12	1/2	4.30	2.40	1.90	0.80	0.50	0.75	1.60	0.80	1.34	1.2
SWRT 14	9/16	5.00	2.75	2.20	0.95	0.63	0.90	1.80	1.00	1.50	2
SWRT 16	5/8	5.75	3.15	2.50	1.06	0.70	1.00	2.00	1.10	1.70	2.2
SWRT 18	11/16	6.60	3.50	2.80	1.14	0.80	1.06	2.10	1.20	1.90	3
SWRT 20	3/4	7.10	4.00	3.15	1.26	0.86	1.18	2.30	1.40	2.00	4.4
SWRT 22	7/8	8.00	4.30	3.50	1.34	0.95	1.26	2.60	1.60	2.30	5.3
SWRT 24	15/16	8.70	4.70	3.80	1.46	1.00	1.40	2.75	1.65	2.40	6.6
SWRT 26	1	9.20	5.10	4.10	1.60	1.15	1.46	3.00	1.77	2.70	8.8
SWRT 28	1 1/8	10.20	5.50	4.40	1.70	1.22	1.60	3.15	1.90	2.80	11
SWRT 32	1 1/4	11.70	6.30	5.00	1.80	1.40	1.70	3.50	2.10	3.20	15.4
SWRT 36	1 3/8	13.10	7.10	5.70	2.10	1.60	2.00	4.00	2.40	3.50	24.3
SWRT 40	1 1/2	14.40	7.90	6.30	2.40	1.70	2.20	4.60	2.60	4.10	33
SWRT 44	1 3/4	15.90	8.70	7.00	2.50	1.90	2.40	4.90	2.80	4.40	42.3
SWRT 48	1 7/8	17.30	9.50	7.50	2.60	2.10	2.60	5.50	3.00	5.00	54.2
SWRT 52	2	18.70	10.20	8.20	3.00	2.30	2.80	5.90	3.20	5.30	67
SWRT 56	2 1/4	20.20	11.00	8.80	3.20	2.40	3.10	6.30	3.50	5.70	86.9
SWRT 64	2 1/2	23.00	12.60	10.00	3.60	2.75	3.50	7.10	3.80	6.50	110.2
SWRT 72	2 3/4	26.00	14.20	11.30	4.00	3.00	3.90	7.90	4.10	7.10	154.3
SWRT 80	3	28.30	15.70	12.60	4.50	3.50	4.30	8.70	4.50	7.90	220.5

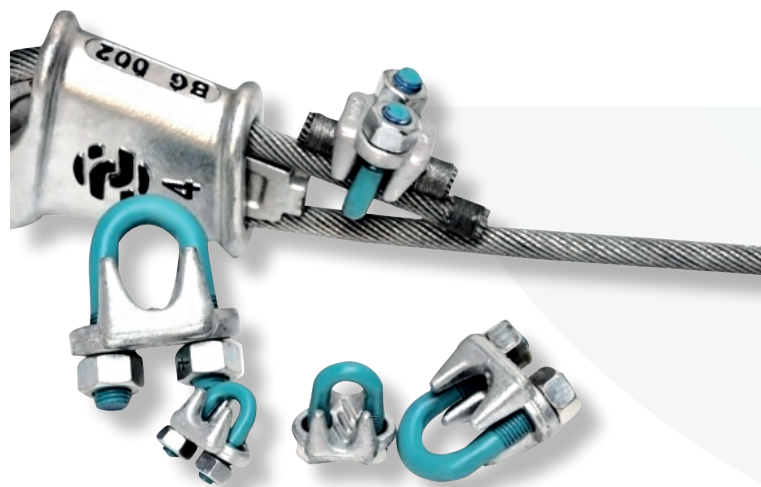
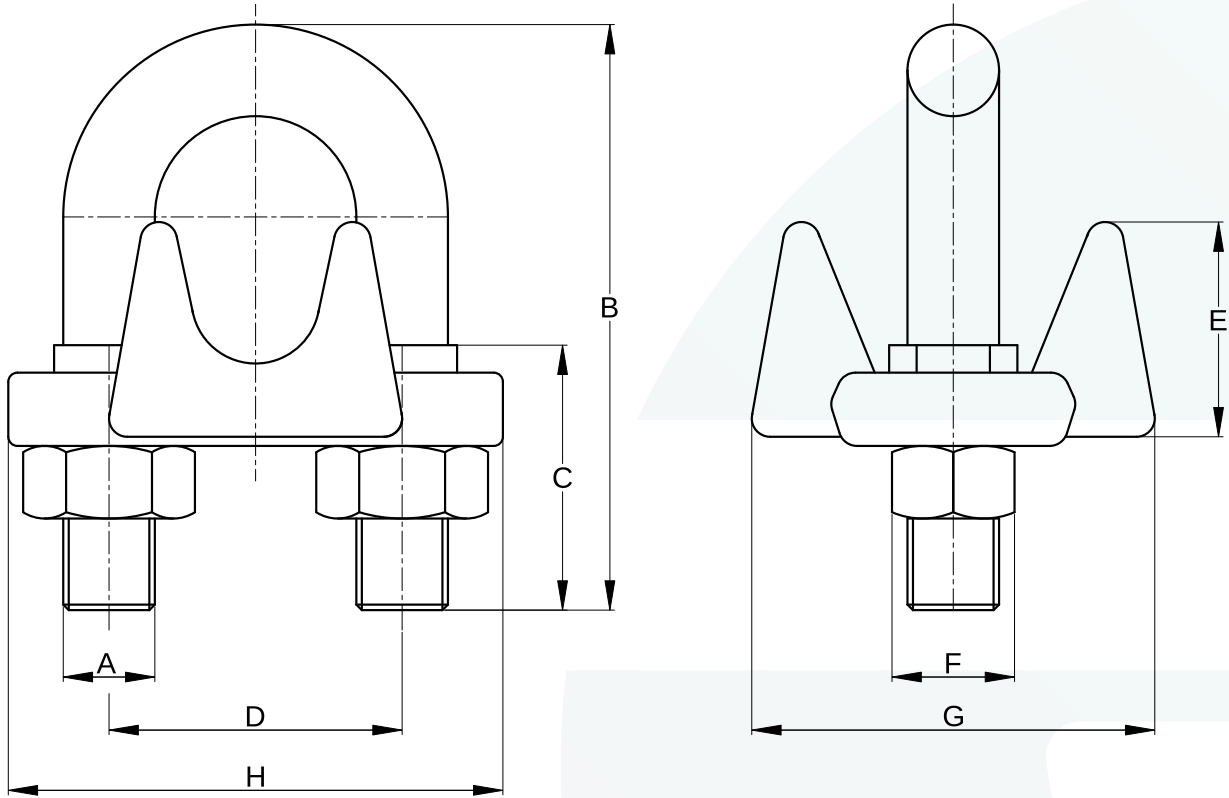
K = Maximum machined diameter

All solid wire rope thimbles are supplied with a hot dipped galvanized finish. SWRT 26 - SWRT 80 are also available in aqua-blue primer (RAL 5018).

For more information read our 'Warnings and instructions for use'.



Wire Rope Clips



Available for wire rope sizes from \varnothing 3 mm to \varnothing 90 mm (1/8" to 3 1/2"). Meets the performance requirements of the EN 13411-5 Type B norm.



AQUALLINE WIRE ROPE CLIP. MM DIMENSIONS

Model Number	For Wire Rope Ø mm	Torque (Nm)	Dimensions (mm)								Weight (kg)
			A	B	C	D	E	F	G	H	
WRC 004	3 - 4	6.1	5.5	18.3	11.2	12.0	10.4	9.7	20.6	23.9	0.03
WRC 005	5	10	6.4	24.6	14.2	15.0	12.7	11.2	23.9	29.5	0.05
WRC 006	6 - 7	20.5	7.9	26.2	14.2	19.1	16.8	14.22	30.3	36.6	0.09
WRC 008	8	41	9.7	35.0	19.0	22.4	18.3	17.53	33.3	43.0	0.13
WRC 010	9 - 10	61	11.2	38.1	19.0	25.4	23.1	19.1	41.4	49.3	0.21
WRC 011	11	88	12.7	47.8	25.4	30.2	26.2	22.4	46.0	58.0	0.32
WRC 013	12 - 13	88	12.7	47.8	25.4	30.2	28.7	22.4	48.5	58.0	0.34
WRC 014	14 - 15	130	14.2	57.2	32.0	33.3	31.0	23.9	52.3	63.5	0.45
WRC 016	16	130	14.2	60.5	32.0	33.3	34.0	23.9	52.3	63.5	0.47
WRC 019	18 - 20	177	15.8	69.9	36.6	38.1	35.8	26.9	57.2	72.1	0.64
WRC 022	22	306	19.0	79.3	41.1	44.5	40.4	31.8	62.0	80.3	0.98
WRC 026	24 - 26	306	19.0	89.0	46.0	47.8	45.2	31.8	66.8	88.1	1.18
WRC 029	28 - 30	306	19.0	98.5	50.8	51.0	48.5	31.8	71.4	91.2	1.28
WRC 032	32 - 34	490	22.3	108.0	54.1	58.5	55.6	36.6	79.5	105.0	1.90
WRC 035	36	490	22.3	117.6	58.7	60.5	58.7	36.6	79.5	106.0	2
WRC 038	38 - 40	490	22.3	125.5	60.5	66.0	62.0	36.6	86.6	113.0	2.35
WRC 042	41 - 42	585	25.4	135.0	66.6	70.0	67.6	41.4	92.2	121.0	3.10
WRC 044	44 - 46	800	28.7	146.0	70.0	78.0	75.0	46.0	96.8	134.0	4.20
WRC 052	48 - 52	1000	31.8	164.0	76.0	86.0	81.0	50.8	113.0	149.0	5.80
WRC 057	56 - 58	1000	31.8	181.0	81.0	99.5	83.0	50.8	114.0	162.0	7.30
WRC 064	62 - 65	1000	31.8	195.0	87.0	105.0	94.0	50.8	118.0	168.0	8.25
WRC 070	68 - 72	1000	31.8	211.0	90.0	111.0	124.0	50.8	127.0	175.0	10.50
WRC 076	75 - 78	1630	38.1	233.0	99.0	120.0	126.0	60.5	149.0	194.0	14.20
WRC 089	85 - 90	1630	38.1	273.0	114.0	140.0	152.0	60.5	157.0	213.0	17.10

AQUALLINE WIRE ROPE CLIP. INCH DIMENSIONS

Model Number	For Wire Rope Ø inch	Torque (ft-lbs)	Dimensions (inch)								Weight (lbs)
			A	B	C	D	E	F	G	H	
WRC 004	1/8	4.5	0.22	0.72	0.44	0.47	0.41	0.38	0.81	0.94	0.06
WRC 005	3/16	7.5	0.25	0.97	0.56	0.59	0.51	0.44	0.94	1.16	0.11
WRC 006	1/4	15	0.31	1.03	0.50	0.75	0.66	0.56	1.19	1.44	0.20
WRC 008	5/16	30	0.38	1.38	0.75	0.88	0.72	0.69	1.31	1.69	0.28
WRC 010	3/8	45	0.44	1.50	0.75	1.00	0.91	0.75	1.63	1.94	0.46
WRC 011	7/16	65	0.50	1.88	1.00	1.19	1.03	0.88	1.81	2.28	0.70
WRC 013	1/2	65	0.50	1.88	1.00	1.19	1.13	0.88	1.91	2.28	0.80
WRC 014	9/16	95	0.56	2.25	1.25	1.31	1.22	0.94	2.06	2.50	1
WRC 016	5/8	95	0.56	2.38	1.25	1.31	1.34	0.94	2.06	2.50	1.10
WRC 019	3/4	130	0.62	2.75	1.44	1.50	1.41	1.06	2.25	2.84	1.40
WRC 022	7/8	225	0.75	3.12	1.62	1.75	1.59	1.25	2.44	3.16	2.20
WRC 026	1	225	0.75	3.50	1.81	1.88	1.78	1.25	2.63	3.47	2.60
WRC 029	1 1/8	225	0.75	3.88	2.00	2.00	1.91	1.25	2.81	3.59	2.90
WRC 032	1 1/4	360	0.88	4.25	2.13	2.31	2.19	1.44	3.13	4.13	4.20
WRC 035	1 3/8	360	0.88	4.63	2.31	2.38	2.31	1.44	3.13	4.19	4.40
WRC 038	1 1/2	360	0.88	4.94	2.38	2.59	2.44	1.44	3.41	4.44	5.20
WRC 042	1 5/8	430	1.00	5.31	2.62	2.75	2.66	1.63	3.63	4.75	6.80
WRC 044	1 3/4	590	1.13	5.75	2.75	3.06	2.94	1.81	3.81	5.28	9.20
WRC 052	2	750	1.25	6.44	3.00	3.38	3.28	2.00	4.44	5.88	14.80
WRC 057	2 1/4	750	1.25	7.13	3.19	3.88	3.19	2.00	4.50	6.38	16
WRC 064	2 1/2	750	1.25	7.69	3.44	4.13	3.69	2.00	4.05	6.63	18
WRC 070	2 3/4	750	1.25	8.31	3.56	4.38	4.88	2.00	5.00	6.88	23
WRC 076	3	1200	1.50	9.19	3.88	4.75	4.69	2.38	5.88	7.63	31
WRC 089	3 1/2	1200	1.50	10.75	4.50	5.50	6.00	2.38	6.19	8.38	38

All wire rope clips are supplied with a hot dipped galvanized finish. For more information read our 'Warnings and instructions for use'.



GLOBAL ROPE FITTINGS

AQUALLINE PRODUCTS

www.globalropefittings.com

Global Rope Fittings GmbH

Stockholmer Strasse 11 ■ 48455 Bad Bentheim ■ Germany

Phone +49 (0) 5924 299 470

sales@globalropefittings.com



SERCABLES

DISTRIBUIDOR AUTORIZADO PARA ESPAÑA

Sercables, S.A.

CIF A-80694821

C/ Herreros, 14 (Part.) - Pol. Ind. Los Ángeles

28.906 Getafe - Madrid

Tel.: 91 683 03 00 - Mail: ventas@sercables.com

www.sercables.com

(V1.0_09.2021)