

## Gerstenberg Schröder Perfector Pilot Plant

### CRYSTALLISATION

### GS Perfector Pilot Plant Benefits:

#### FLEXIBILITY

The GS Perfector pilot plants are ideal for crystallisation of all kinds of yellow fat products. These highly flexible units make product development activities efficient and cost effective.

The GS Perfector pilot plants provide everything you need for optimal, small-scale production. These modular units feature a high-pressure pump, chilling tubes, various kneading units and resting tubes.

The flexible connection pipes which combine the various units are easy to mount and dismount. It facilitates fast set-up alterations according to processing or application changes. The chilling tubes offer a wide capacity due to individual cooling systems, as they can be used either separately or in a combination.

#### EASY SCALE-UP

The GS Perfector pilot plants give you the opportunity to process small-scale samples under exactly the same conditions as those generated in large-scale production facilities.

#### SIGNIFICANT COST SAVINGS

As the GS Perfector pilot plant trials demand much smaller batch sizes than large-scale production units, the costs are correspondingly lower. Furthermore, no halts are required in your normal production schedule.

#### SCRAPER ROTOR SYSTEM

The scraper systems are Bulldog or floating scraper systems. A selection of different materials for the floating scrapers is available to suit your particular product application.



#### CAPACITY

30-150 kg/h per tube depending on product application.

#### PRODUCT PRESSURE

Maximum 80 bar.

#### SCRAPER ROTOR SPEED

From 190 to 1,000 rpm.

#### CERTIFICATION

Made in conformity with European Machinery Directive 2006/42/EC. The pressure vessel is made in accordance with Pressure Equipment Directive (PED) 2014/68/EU.

#### COOLING REQUIREMENTS

Capacity at -20°C: 4.5 kW per tube.

#### COOLING MEDIA

NH<sub>3</sub>, R507, R404a

GS HIGH PRESSURE PUMP P-3-10/35	MOTOR [kW]*	MAX. CAPACITY [L/H]**	MAX. PRESSURE [BAR]
MOTOR	1.1-1.5	260	120

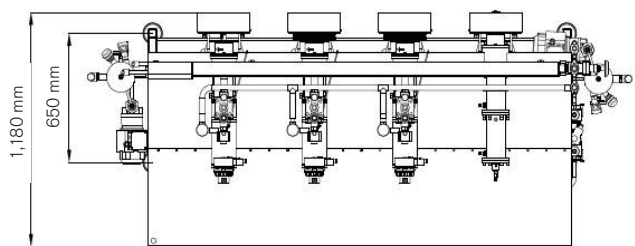
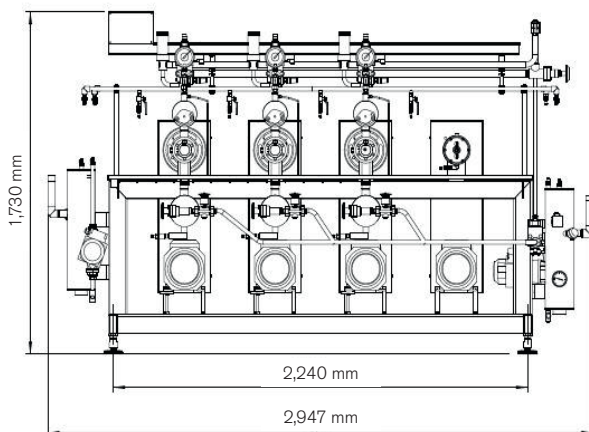
\* Depending on product type. \*\* Depending on motor.

GS PERFECTOR TYPE	NUMBER OF UNITS ON SKID	MOTOR [kW]	RESTING TUBE [L]
1x57	2	1x4	1.5, 3.0
(1+1)x57	3	2x4	1.5, 3.0, 8.5
(1+1)x57	4	2x4	1.5, 3.0, 8.5
(1+1+1)x57	4	3x4	1.5, 3.0, 8.5
(1+1+1)x57	5	3x4	1.5, 3.0, 8.5
(1+1+1)x57	6	3x4	1.5, 3.0, 8.5
BGS*		2.2	

Frequency converter(s) and water attenuation units are included. Typically the pin rotor machine is mounted on the GS Perfector skid thus as an extra unit.  
\* Frequency converter is included. For mounting on a GS Perfector skid. Also available as an individual unit.

GS PIN ROTOR MACHINE	ROTOR SPEED [RPM]	MOTOR [kW]	VOLUME [L]
PIN ROTOR MACHINE*	350-700	2.2	1, 2 OR 3
INVERTOR TYPE P2**	150-1,400	4.0	1.1
RESTING TUBE [L]	-	-	1.5, 3.0, 8.5

\* Frequency converter and water attenuation unit are included. For mounting on a GS Perfector pilot skid. Also available as an individual unit.  
\*\* Frequency converter is included. For mounting on a GS Perfect pilot skid. Also available as an individual unit.



Example of a GS Perfector pilot plant

# SPXFLOW

SPX FLOW Oestmarken 7, 2860 Soeborg, Denmark

P: +45 70 278 222, F: +45 70 278 223

E: gs.dk.sales@spxflow.com · www.spxflow.com

SPX FLOW reserves the right to incorporate our latest design and material changes without notice or obligation. Design features, materials of construction and dimensional data, as described in this bulletin, are provided for your information only and should not be relied upon unless confirmed in writing. Please contact your local sales representative for product availability in your region. For more information visit [www.spxflow.com](http://www.spxflow.com). The green ">" is a trademark of SPX FLOW, Inc.

GS\_Perfector-Pilot-Plant\_208\_DST\_GB Version 04/2021

COPYRIGHT © 2016 SPX FLOW, Inc.