



# KITCHEN

2019 Vol.3

EST.  GERMANY 1924



**Kraftvoll**  
Technology  
True Innovation

**Laundry**  
Set & save

**Gourmet**  
**French Door**  
Open Door to Wellness

**EXCLUSIVE**  
**KÜchén Special**



ENTHUSIASM



CALMNESS



PRIDE



WELLNESS



**iOVEN**



**iOVEN**  
RRP **RM11,800**

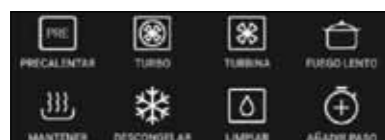
**Complimentary accessories**  
worth **RM2,999**



**MultiCook Trays**

Allow you to cook several dishes at the same time (portion).

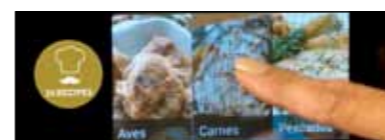
\* While stocks last



**TFT color touchscreen**  
Easy touch control display for just about anyone to utilize it.



**Hydroclean Pro cleaning system**  
The combined action of the steam generated in the oven cavity and Hydroclean technology removes grease & grime with just a press of the button.



**50 programmed recipes**  
New cooking assistant with 50 programmed recipes shown step-by-step. You can include your favourites and save them in folders, and even add your own weekly menu.



**New cavity**  
With more space inside, up to 71 litres useful capacity, 30% more than previous models. Trays with 7.5% greater surface area.



**Soft close system**  
Easy door opening and closing. Greater safety ensured.



**Telescopic guides**  
New system for an easier disassembling of the door and better inner glass cleaning. Extra-long guides that improve tray stability.

■ **\_MAESTRO WHITE SERIES**



**\_MAESTRO** *For those who will not settle for being like the rest*

Appliance for those who like going one step beyond. For those who won't settle for being like the rest and want everything that surrounds them to reflect their personality and interest.

For those who, in addition to ease of use and precision, seek to define their own space and project their perspective on life.

<p><b>A ECOPOWER</b></p> <p><b>Chimney Hood</b> <b>DVT 985 W</b></p> <ul style="list-style-type: none"> <li>Exhaust capacity: Free outlet, m<sup>3</sup>/h: 786</li> <li>Optional recirculating or ducting system</li> </ul> <p><b>RRP RM 5,900</b></p>	<p><b>Induction Hob</b> <b>IRS 631 W</b></p> <ul style="list-style-type: none"> <li>D: 600(W) x 510(D)</li> <li>BID: 560(W) x 490(D)</li> <li>Maximum nominal power: 6.7 kW</li> </ul> <p><b>RRP RM 5,500</b></p>	<p><b>WISH</b></p> <p><b>Electric Oven</b> <b>HLB 840 W</b></p> <ul style="list-style-type: none"> <li>9 cooking functions</li> <li>71 Litres</li> <li>Hydroclean Pro</li> </ul> <p><b>RRP RM 6,500</b></p>	<p><b>A+ WISH</b></p> <p><b>Microwave + Grill</b> <b>ML 822 BIS W</b></p> <ul style="list-style-type: none"> <li>22 litres</li> </ul> <p><b>RRP RM 5,900</b></p>

■ **\_MAESTRO SERIES**



**Built-in Coffee Maker**  
**CLC 855 GM**

- 3 functions (coffee, steam & hot water)
- 30 automatic programs

**RRP RM 14,800**



**Multifunction Oven + Steamer**  
**HLC 847 SC**

- 45 Litres
- 15 Functions
- 20 Recipe

**RRP RM 10,800**



**Microwave + Grill**  
**MLC 844**

- 45 Litres
- MWO, Grill, MWO + Grill

**RRP RM 5,600**



**Microwave + Grill**  
**ML 822 BIS**

- 22 Litres

**RRP RM 4,200**



**Island Hood**  
**CC 485**

- Exhaust capacity: Free Outlet, m<sup>3</sup>/h: 771
- Optional recirculating or ducting system

**RRP RM 7,800**



**Chimney Hood**  
**DLV 998 BK**

- Exhaust capacity: Free outlet, m<sup>3</sup>/h: 815
- Optional recirculating or ducting system

**RRP RM 5,900**



**Chimney Hood**  
**DLH-985T**

- Exhaust capacity: Free outlet, m<sup>3</sup>/h: 740
- Optional recirculating or ducting system

**RRP RM 5,900**



**Plate Warmer**  
**CP 15 GS**

- Telescopic plate warmer
- Glass Front with Fingerprint-proof Stainless Steel frame
- 6 Serving plates

**RRP RM 3,900**



**60cm Built-in Induction Hob**  
**IT 6350 iKnob**

- 3 cooking zone
- D: 605(W) x 515(D)
- BID: 560(W) x 490(D)
- Maximum nominal power 7.4 kW

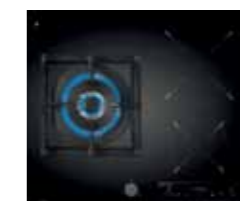
**RRP RM 5,900**



**60cm Built-in Induction Hob**  
**IT 6450 iKnob**

- 4 cooking zone
- D: 605(W) x 515(D)
- BID: 560(W) x 490(D)
- Maximum nominal power 7.4 kW

**RRP RM 5,500**



**Built-in Gas+Induction Hob**  
**IG 620 1G AI AL DR CI**

- D: 610(W) x 505(D)
- BID: 560(W) x 490(D)
- Maximum nominal power: 3.6 kW
- Double ring burner: 5.0 kW

**RRP RM 4,600**



**Gas on Glass Built-in Hob**  
**CGW LUX 60 3G AI AL TR CI**

- Electrical auto-ignition (LPG/NG)
- D: 610(W) x 512(D)
- BID: 570(W) x 480(D)
- Triple ring burner: 4.0 kW

**RRP RM 3,460**

Discover the new **iKnob**  
Feel the precision in your hands

**2018 FIVE STAR AWARD**

**iKNOB Touch Control**  
The heart of the hob, a completely removable magnetic knob that controls every function with incredible precision. When it is removed it blocks the hob and facilitates cleaning.

**ELECTRIC OVEN**



**Electric Oven  
HLB 860**  
 • 12 cooking functions  
 • +20 recipes  
 • 71 Litres  
 • Hydroclean Pro  
 • Triple glazed and soft close door



**Electric Oven  
HLB 850**  
 • 9 cooking functions  
 • 71 Litres  
 • Hydroclean Pro  
 • Triple glazed and soft close door



**Electric Oven  
HLB 830**  
 • 6 cooking functions  
 • 71 Litres  
 • Hydroclean Pro



**Electric Oven  
HSB 638**  
 • 9 cooking functions  
 • 71 Litres  
 • Hydroclean Pro  
 • Triple glazed and soft close door

**BUILT-IN-STEAMER**



**Electric Oven  
HSB 615**  
 • 6 cooking functions  
 • 71 Litres  
 • Hydroclean Eco



**Built-in Steamer  
HKS 930 S**  
 • 35 Litres  
 • Sterilization and regeneration

**MICROWAVE**



**Combi Oven + Microwave  
MCL 32 BI-S**  
 • 38 Litres

RRP RM 6,750



**Microwave + Grill  
ML 825 TFL**  
 • 25 Litres  
 • MWO, Grill, MWO + Grill

RRP RM 4,800



**Microwave + Grill  
MWE 255 FI**  
 • 25 Litres  
 • MWO, Grill, MWO + Grill

RRP RM 3,350



**Microwave + Grill  
MWE 201 FI**  
 • 20 Litres  
 • MWO, Grill, MWO + Grill

RRP RM 2,440

**COFFEE MACHINE**



**Multi Capsule Coffee Machine  
CLC 835 MC**  
 • Multi capsules and Ground coffee  
 • 5 capsule adaptors (Nespresso®, Lavazza®, Caffitaly®, E.S.E. pod (Easy Serving Espresso), Coffee powder.

RRP RM 8,900

**INDUCTION HOB** SCHOTT CERAN®



**60cm Built-in Induction Hob  
IR 6031 SR**  
 • D: 590(W) x 520 (D)  
 • BID: 560(W) x 490 (D)  
 • Maximum nominal power: 7.1 kW

RRP RM 5,390



**73cm Built-in Induction Hob  
IR 721 SR**  
 • D: 730(W) x 430 (D)  
 • BID: 695(W) x 395 (D)  
 • Maximum nominal power: 5.2 kW

RRP RM 4,550



**Modular Induction Hob  
IR 321.1**  
 • D: 290(W) x 510 (D)  
 • BID: 270(W) x 490 (D)  
 • Maximum nominal power: 3.0 kW

RRP RM 3,120

**CERAMIC HOB** SCHOTT CERAN®



**Built-in Ceramic Hob  
VTTC 60.1**  
 • D: 590(W) x 520 (D)  
 • BID: 570(W) x 500 (D)  
 • Maximum nominal power: 4.8 kW

RRP RM 3,300



**Built-in Ceramic Hob  
VTCM 722**  
 • D: 700(W) x 430 (D)  
 • BID: 675(W) x 395 (D)  
 • Maximum nominal power: 4.4 kW

RRP RM 2,750



**Modular Ceramic hob  
VTTC 30.1**  
 • D: 290(W) x 520 (D)  
 • BID: 270(W) x 500 (D)  
 • Maximum nominal power: 3.0 kW

RRP RM 2,230

**GAS HOB**



**Gas on Glass Built-in Hob  
GVI 86 3G AI AL 2TR**  
 • Battery Auto-ignition (LPG/NG)  
 • D: 860 (W) x 480 (D)  
 • BID: 685 (W) x 400 (D)  
 • Triple ring burner: 3.4kW  
 • 1 Burner: 1.2kW

RRP RM 2,200



**Gas on Glass Built-in Hob  
GVI 78 2G AI AL 2TR**  
 • Battery Auto-ignition (LPG/NG)  
 • D: 780 (W) x 450 (D)  
 • BID: 685 (W) x 400 (D)  
 • Triple ring burner: 3.4kW

RRP RM 1,800



**Gas on Glass Built-in Hob  
GK LUX 86.1 2G AI AL 2TR**  
 • Battery Auto-ignition (LPG/NG)  
 • D: 860 (W) x 480 (D)  
 • BID: 715 (W) x 415 (D)  
 • Triple ring burner: 3.5kW

RRP RM 1,850



**Modular Gas Hob  
GT LUX 30 1G AI AL TR**  
 • Battery Auto-ignition (LPG/NG)  
 • D: 300(W) x 510 (D)  
 • BID: 265(W) x 475 (D)  
 • Triple ring burner: 5.0 kW

RRP RM 1,060

**OVEN + MICROWAVE or BUILT-IN STEAMER or COFFEE MACHINE**

**3 PIECE ZWILLING BASE COOKWARE STAINLESS STEEL worth RM1,499**

ZWILLING J.A.HENCKELS

\* While stocks last

**AEROX TECHNOLOGY**

Strong and stable flame control for reliable performance in cooking

Enjoy a Pleasant cooking experience

• Power Control: Precise flame control for consistent cooking results.  
 • Stable Flame: Prevents flame from blowing out, ensuring safety and efficiency.  
 • Auto-ignition: Convenient start-up without the need for a match.  
 • Low Flame: Ideal for delicate cooking tasks like simmering and sautéing.

[D- Dimension (mm)] [BID - Built-in Dimension (mm)- (Length x Width x Depth)] [ED- External Dimension (mm)] [B- Bowl Dimension (mm)]

■ CHIMNEY HOOD (Metal Filter)



**Chimney Hood  
DU 90**  
• Exhaust capacity: m<sup>3</sup>/h: 1200  
• Optional recirculating or ducting system

RRP RM 7,810



**Chimney Hood  
DVS 90 AD**  
• Exhaust capacity: 1,500m<sup>3</sup>/h  
• Ducting system

RRP RM 4,200



**Chimney Hood  
DZ 90 AD**  
• Exhaust capacity: 1,500m<sup>3</sup>/h  
• Optional recirculating or ducting system

RRP RM 3,300



**Chimney Hood  
DSI 90 AD**  
• Exhaust capacity: 1,500m<sup>3</sup>/h  
• Optional recirculating or ducting system

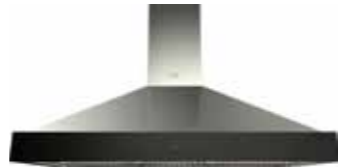
RRP RM 3,100

■ CHIMNEY HOOD (Baffle Filter)



**Chimney Hood  
DHW 90 TO**  
• Exhaust capacity: m<sup>3</sup>/h: 1800  
• Optional recirculating or ducting system

RRP RM 4,100



**Chimney Hood  
DBW 90 TO**  
• Exhaust capacity: m<sup>3</sup>/h: 1800  
• Optional recirculating or ducting system

RRP RM 3,900

■ ISLAND HOOD



**Island Hood  
DH2 90.1 AD**  
• Exhaust capacity: 1,500m<sup>3</sup>/h  
• Optional recirculating or ducting system

RRP RM 6,250



**Telescopic Hood  
TL1 920**  
• Exhaust capacity: 440m<sup>3</sup>/h  
• Optional recirculating or ducting system

RRP RM 1,330



**Telescopic Hood  
TL1 620**  
• Exhaust capacity: 440m<sup>3</sup>/h  
• Optional recirculating or ducting system

RRP RM 910

■ DISHWASHER



**Partially Integrated Dishwasher  
DW 605 S**  
• Place Settings : 12

RRP RM 5,400



**Free Standing Dishwasher  
LP9 850**  
• Place Settings : 14

RRP RM 4,800



**Fully Integrated Dishwasher  
DW9 70 FI**  
• Place Settings : 14

RRP RM 4,290



**Free Standing Dishwasher  
LP2 140 White**  
• Place Settings : 6

RRP RM 3,200

■ PROMOTION

# KÜCHÉN SPECIAL PROMO



**PACKAGE A**  
Chimney Hood **DHW 90 TO** + Gas Hob **GVI 78 2G AI AL 2TR**  
**PROMO PRICE**  
**RM 3,590**  
RRP RM 5,900

**PACKAGE B**  
Chimney Hood **DSI 90 AD** + Gas Hob **GVI 78 2G AI AL 2TR**  
**PROMO PRICE**  
**RM 2,990**  
RRP RM 4,900

Optional Top Up Deals



Top up **RM250**  
upgrade to 3 Burners Gas Hob

**GVI 86 3G AI AL 2TR**  
Gas on Glass Built-in Hob  
• Cast iron pan support  
• Battery Auto-ignition and auto lock  
• Triple ring burner: 3.4kW



Top up **RM800**  
upgrade to Ceramic Hob

**VTCM 722**  
Vitro Ceramic Hob  
• Stainless steel frame  
• Child safety lock  
• Maximum nominal power: 4.4kW



**FREE** Induction Cooker  
(Free Standing)

Choose design.  
Choose wellness.

**Connect with your kitchen through design.**

A remarkable appearance French Door design. It takes care of all the details including a **touch control display** with white LED illumination, the perfect combination with the unique and exclusive black glass finishing.

**Design detail.**

**The French Door design** brings a touch of style to your kitchen and provides perfect conservation and storage for your groceries.

Its big **537 litres** capacity and its two-door configuration and two wide drawers in the freezer, allows every piece of food has the room they need.

**Elegant outside, efficient inside.**

**Motor Inverter A+++** is a more silence and long-lasting motor so you can save up to 40% in your bill if you compare it with an A class model. Also, its LED light is more efficient and respectful with environment.

**Your fridge guardian.**

The **TempGuard Radar** The TempGuard Radar system controls and keeps the temperature thanks to sensors located inside. Any change is automatically fixed. Your fridge always at the real temperature your food needs.



**Keep your food perfect: goal achieved.**

**LongLife No Frost** technology keeps every compartment at the perfect moisture level thanks to **the three independent cooling circuits**. Your food remains fresh for longer.

**Mmm... smells good!**

**IonClean technology** create negative ions that neutralise bad smell particles. Air inside the fridge will be superb this way and always fresh and free of odours.

**From farm to table.**

**VitaCareBox drawer** has a personalised moisture control to keep your fruit and vegetables always fresh, preserving all their vitamins and nutrients for longer.

**Precision is to keep food at perfect temperature.**

**Gourmet Box**, a soft close telescopic drawer allows you to choose the right temperature between -2 and 3°C through a touching display at the top.



\*Within the range A+++ to D.

**RFD 77820 GBK**  
**RRP RM10,990**



**Free Standing Freezer**  
**TGF 300 NF**  
• Total gross capacity: 261 litres

**RRP RM 7,200**

**FREE**  
Joining Strip



**Free Standing Refrigerator**  
**TSL 400 NF**  
• Total gross capacity: 355 litres

**RRP RM 5,890**



**Free Standing Refrigerator**  
**NFM 620 X**  
• Total gross capacity: 602 litres

**RRP RM 6,190**



**Free Standing Refrigerator**  
**NFM 680 X**  
• Total gross capacity: 585 litres  
• Water Inlet required

**RRP RM 8,590**



**Free Standing Refrigerator**  
**NFM 420 S**  
• Total gross capacity: 414 litres

**RRP RM 4,800**



**No Frost Built-in Combi**  
**CI4 330WH**  
• Total gross capacity: 241 litres

**RRP RM 7,900**



**Free Standing Wine Chiller**  
**RV 46 D**  
• Dual temperature  
• Capacity: 46 bottles

**RRP RM 6,490**

■ **WASHER DRYER**



**Freestanding Washer-Dryer**  
**TKD 1610 WD**  
 • (10kg/7kg)  
**RRP RM 5,300**

■ **WASHER**



**Freestanding Washing Machine**  
**TKD 1480**  
 • (8kg)  
**RRP RM 3,600**



**Freestanding Washing Machine**  
**TKD 1490**  
 • (9kg)  
**RRP RM 4,200**

■ **DRYER**



**Freestanding Dryer**  
**TKS 890 H**  
 • (8kg, Heat Pump Condenser)  
**RRP RM 4,250**

**TKS 850 C**  
 • (8kg, Condenser)  
**RRP RM 2,950**

■ **GRANITE SINK** (Imported from Europe)



**Granite Sink**  
**LUMINA 90 B-TG 86**  
 • ED: 860 x 500  
 • B: 361 x 445 x 195  
 • BID: 840 x 480  
**RRP RM 2,500**



**Granite Sink**  
**MENORCA 60 S-TG**  
 • ED: 570 x 510  
 • B: 513 x 358 x 180  
 • BID: 550 x 490  
**RRP RM 2,090**



**Granite Sink**  
**SQUARE 2B 760 TG**  
 • ED: 760 x 435  
 • B: 343 x 395 x 200  
 • BID: 715 x 390  
**RRP RM 2,490**



**Granite Sink**  
**FOR SQUARE 72.40 TG**  
 • ED: 790 x 500  
 • B: 720 x 400 x 200  
 • BID: 770 x 480  
**RRP RM 2,390**



**Granite Sink**  
**SQUARE 72.40 TG**  
 • ED: 760 x 440  
 • B: 720 x 400 x 200  
 • BID: 715 x 395  
**RRP RM 2,190**



**Granite Sink**  
**SQUARE 50.40 TG**  
 • ED: 540 x 440  
 • B: 500 x 400 x 200  
 • BID: 495 x 395  
**RRP RM 1,990**

■ **SINK**



**Inset**  
**ZENIT R15 2B 86**  
 • ED: 860 x 520  
 • D: 860 x 520 x 200  
 • BID: 844 x 504  
**RRP RM 4,280**



**Inset**  
**ZENIT R15 1B**  
 • ED: 600 x 520  
 • D: 600 x 520 x 200  
 • BID: 584 x 504  
**RRP RM 3,290**

Only applicable for Zenit sink

**COMPLIMENTARY**

Accessories included:  
**Stainless Steel Colander,**  
**Bamboo Cutting Board &**  
**Soap Dispenser**

\* While stocks last



**Glass Sink**  
**DURO**  
 • D: 860 x 510 x 180  
 • BID: 840 x 490  
**RRP RM 3,090**



**Under Worktop**  
**BE LINEA R10 72 40**  
 • D: 760 x 440 x 184  
 • BID: 717 x 397  
**RRP RM 3,050**



**Under Worktop**  
**BE LINEA R10 55 40**  
 • D: 550 x 440 x 184  
 • BID: 549 x 399  
**RRP RM 2,790**



**Under Worktop**  
**BE LINEA R10 40 40**  
 • D: 440 x 440 x 184  
 • BID: 420 x 420  
**RRP RM 1,990**






# LAUNDRY SET & SAVE

<p><b>TKD 1480</b>                  +  <b>TKS 850C</b></p> <p>Package Price  <b>RM 5,250</b>                  RRP RM 6,550</p>	<p><b>TKD 1490</b>                  +  <b>TKS 850C</b></p> <p>Package Price  <b>RM 5,750</b>                  RRP RM 7,150</p>	<p><b>TKD 1480</b>                  +  <b>TKS 890H</b></p> <p>Package Price  <b>RM 6,280</b>                  RRP RM 7,850</p>	<p><b>TKD 1490</b>                  +  <b>TKS 890H</b></p> <p>Package Price  <b>RM 6,780</b>                  RRP RM 8,450</p>
--	--	--	--

■ SINK

				
<b>Under Worktop</b> <b>BE 2B 845 RHD</b> • D: 845 x 470 x 250 • BID: 793 x 418 <b>RRP RM 2,190</b>	<b>Under Worktop</b> <b>BE 2B 880 R</b> • D: 879 x 470 x 250 • BID: 853 x 418 <b>RRP RM 2,050</b>	<b>Under Worktop</b> <b>ARQ 2B 840</b> • D: 840 x 430 x 220 • BID: 790 x 380 <b>RRP RM 2,090</b>	<b>Under Worktop</b> <b>ARQ 43 43</b> • D: 430 x 430 x 220 • BID: 400 x 400 <b>RRP RM 1,090</b>	<b>Under Worktop</b> <b>BE 50 40</b> • D: 522 x 422 x 155 • BID: 496 x 396 <b>RRP RM 560</b>

				
<b>Under Worktop</b> <b>BE 40 40</b> • D: 433 x 433 x 180 • BID: 401 x 401 <b>RRP RM 570</b>	<b>Under Worktop</b> <b>BE 34 37</b> • D: 365 x 395 x 155 • BID: 335 x 365 <b>RRP RM 460</b>	<b>Under Worktop</b> <b>BE 39</b> • D: Ø390 x 180 • BID: Ø385 <b>RRP RM 650</b>	<b>Inset</b> <b>INOXTEEL JUMBO</b> • D: 800 x 500 x 230 • BID: 780 x 480 <b>RRP RM 1,190</b>	<b>Inset</b> <b>INOXTEEL 2B</b> • D: 890 x 500 x 220 • BID: 866 x 476 <b>RRP RM 1,490</b>

				
<b>Inset</b> <b>INOXTEEL 1B</b> • D: 640 x 480 x 250 • BID: 608 x 448 <b>RRP RM 790</b>	<b>Under Worktop</b> <b>ARQ 70 45</b> • D: 700 x 450 x 220 • BID: 650 x 400 <b>RRP RM 1,390</b>	<b>Under Worktop</b> <b>ARQ 70 45 (Nano Black)</b> • D: 700 x 450 x 220 • BID: 650 x 400 <b>RRP RM 1,680</b>	<b>Under Worktop</b> <b>ARQ 54 41</b> • D: 542 x 413 x 220 • BID: 500 x 371 <b>RRP RM 1,190</b>	<b>Under Worktop</b> <b>ARQ 54 41 (Nano Black)</b> • D: 542 x 413 x 220 • BID: 500 x 371 <b>RRP RM 1,380</b>


■ WASTE DISPOSER

		
<b>Inset</b> <b>INTRO 60</b> • D: 600 x 500 x 200 • BID: 570 x 470 (R15) <b>RRP RM 1,490</b>	<b>Inset</b> <b>INTRO 50</b> • D: 500 x 500 x 200 • BID: 470 x 470 (R15) <b>RRP RM 1,390</b>	<b>Waste Disposer</b> <b>TR 3400</b> • 0.75 HP <b>RRP RM 1,750</b>

■ COLD TAP

				
<b>AQUA</b> • Code: 16.141.02.00 <b>RRP RM 540</b>	<b>AQUA (WALL MOUNTED)</b> • Code: 16.140.02.00 <b>RRP RM 530</b>	<b>FINO PLUS (STAINLESS STEEL)</b> • Code: 74995TM00 <b>RRP RM 620</b>	<b>FINO</b> • Code: K-8405 <b>RRP RM 480</b>	<b>TAGUS</b> • Code: 16.137.02.00 <b>RRP RM 480</b>
				
<b>EBRO</b> • Code: 16.119.02.00 <b>RRP RM 290</b>	<b>EBRO (WALL-MOUNTED)</b> • Code: 16.120.02.00 <b>RRP RM 270</b>	<b>LUXE</b> • Code: 16.143.02.00 <b>RRP RM 480</b>	<b>LUXE (WALL MOUNTED)</b> • Code: 16.144.02.00 <b>RRP RM 440</b>	<b>ARIA</b> • Code: 16.142.02.00 <b>RRP RM 560</b>

■ FAUCETS (MIXER)

				
<b>TEK</b> • Code: 75.902.04.00 <b>RRP RM 5,670</b>	<b>CUADRO PRO</b> • Code: 38.9319.02 <b>RRP RM 2,350</b>	<b>CUADRO PRO COMPACT</b> • Code: 38.9317.02 <b>RRP RM 2,140</b>	<b>ARK PRO</b> • Code: 23.939.12.10 <b>RRP RM 1,710</b>	<b>ELAN</b> • Code: 35.9115.02 <b>RRP RM 1,240</b>
				
<b>IC</b> • Code: 33.915.02.10 <b>RRP RM 1,960</b>	<b>IC 915</b> • Code: 33.915.02.0N <b>RRP RM 2,450</b>	<b>MC 10 PLUS (PULL-OUT)</b> • Code: 97.9318.02 <b>RRP RM 1,370</b>	<b>COSMO</b> • Code: 18.1512.02 <b>RRP RM 1,040</b>	<b>ARK (PULL-OUT)</b> • Code: 23.938.12.10 <b>RRP RM 1,050</b>
				
<b>ARES (HIGH SPOUT)</b> • Code: 23.915.02.10 <b>RRP RM 650</b>	<b>ALAIOR (HIGH SPOUT)</b> • Code: 55.995.02.10 <b>RRP RM 600</b>	<b>INCA (HIGH SPOUT)</b> • Code: 53.912.12.10 <b>RRP RM 520</b>	<b>ML (LOW SPOUT)</b> Code: 81.9113.62 <b>RRP RM 460</b>	<b>OS 201 (WATER FILTER)</b> • Code: 182010210 <b>RRP RM 2,790</b>

**FREE**



An exquisite Galaxy kitchen tap with any sink purchase above RM1000

**GALAXY**

\* While stocks last



■ FAUCETS (MIXER)



**FOXTER (STAINLESS STEEL)**  
• Code: 74998TM00  
RRP RM 1,590



**RONDELLA (STAINLESS STEEL)**  
• Code: 74938TM00  
RRP RM 1,390



**OCEANO (STAINLESS STEEL)**  
• Code: 74915TM00  
RRP RM 650



**MILANO (STAINLESS STEEL)**  
• Code: 74914TM00  
RRP RM 590



**IN 995**  
RRP RM 790



**FORMENTERA 997**  
RRP RM 1,590



**ARK 938**  
RRP RM 1,290



# Stainless Steel Sink Care

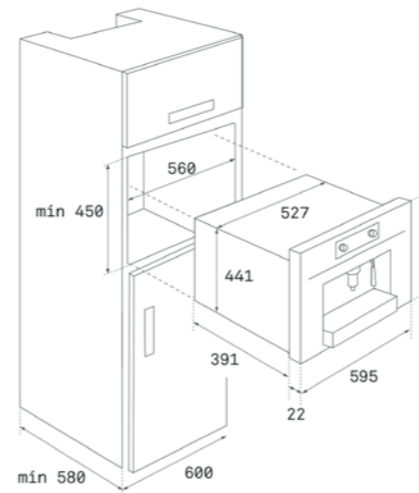
Stainless steel's best friend are clean water and a mild detergent solution. Cleaning must be done with a soft cloth or sponge, rinsing well and wiped dry.

A routine of simple, gentle and inexpensive cleaning will retain both the corrosion resistance and appearance of stainless steel through years of exposure and use. Occasionally a small amount of (3M/Amway) stainless steel cleaner may be used on a soft cloth. Always rinse and dry as the final step in a cleaning procedure.

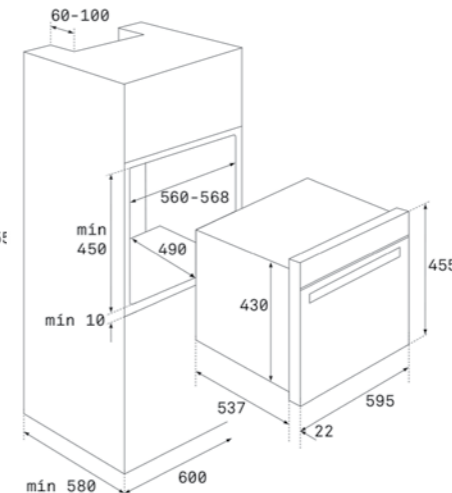
Don'ts: Do not use coarse abrasive prodders. Do not use acids and silver dip cleaners. Do not use brushes with metal bristles. Do not store household products which contain chlorine underneath a sink.

■ TECHNICAL DRAWINGS

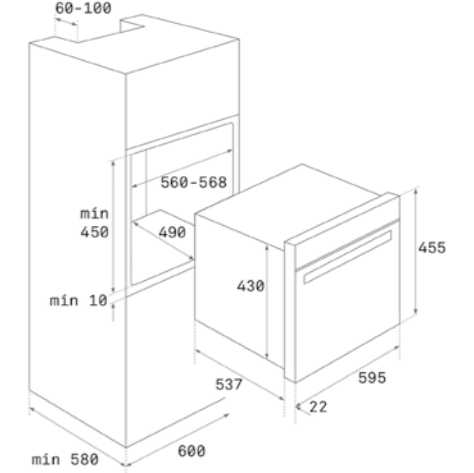
CLC 855 GM



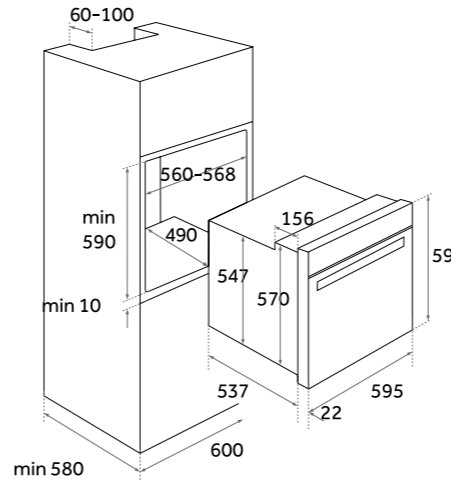
HLC 847 SC



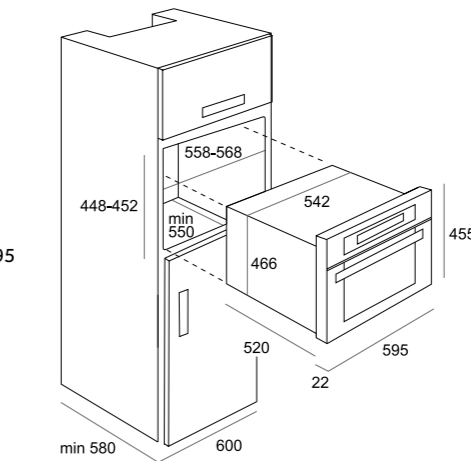
MLC 844



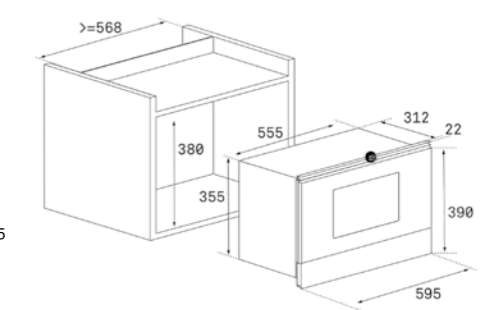
HLB 860 / HLB 850 / HLB 830 / HSB 638 / HSB 615



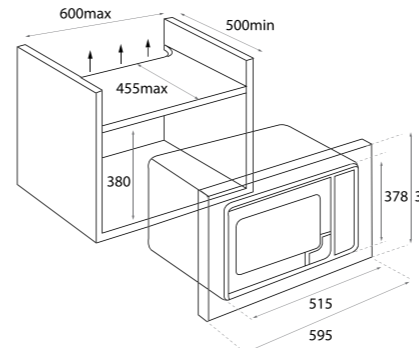
MCL 32 BI-S / HKS 930 S



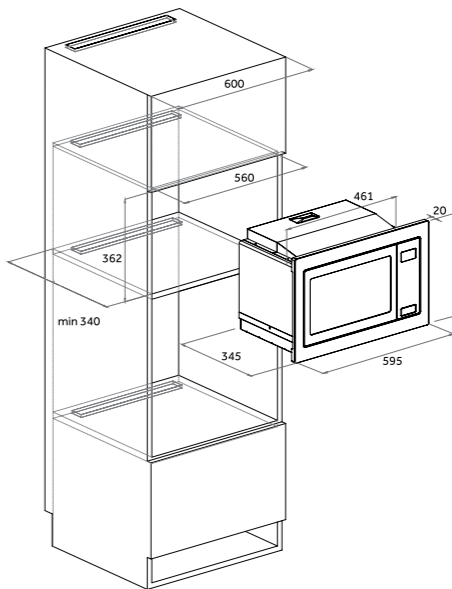
ML 822 BIS



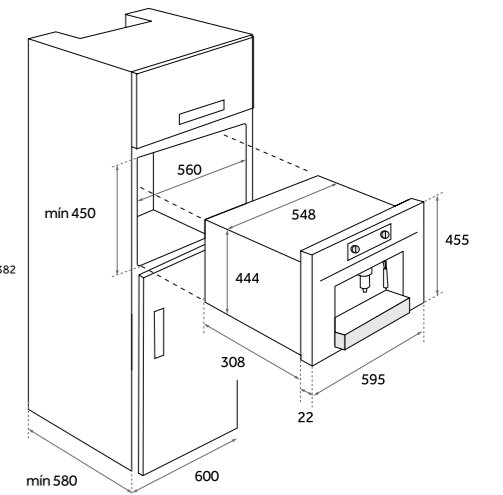
MWE 255 FI



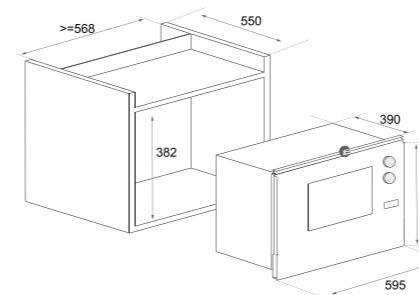
MWE 201 FI



CLC 835 MC

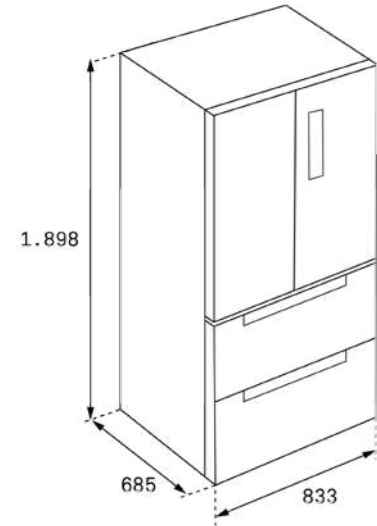


ML 825 TFL

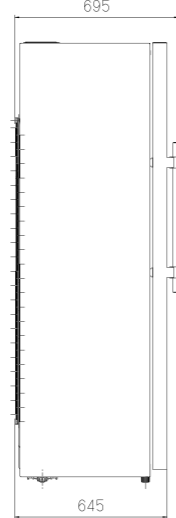
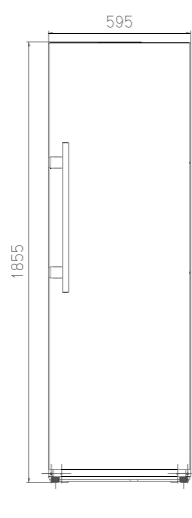


■ TECHNICAL DRAWINGS

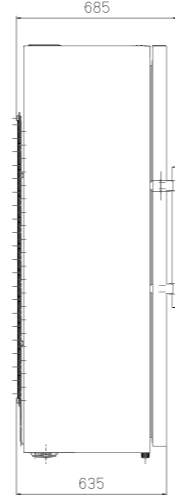
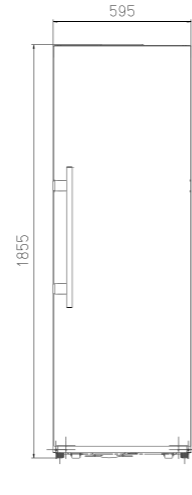
RFD 77820 GBK



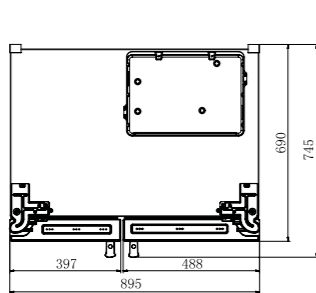
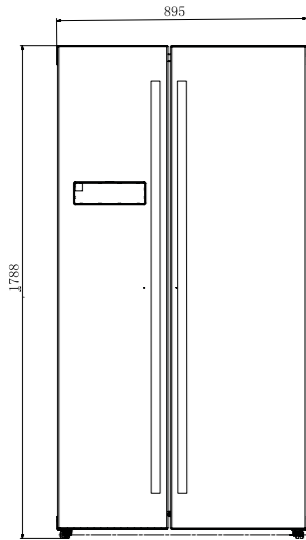
TGF 300 NF



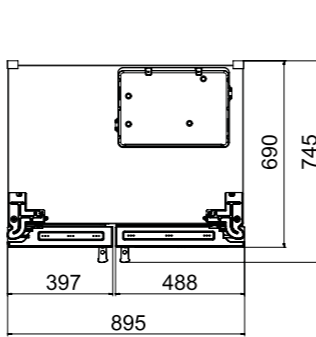
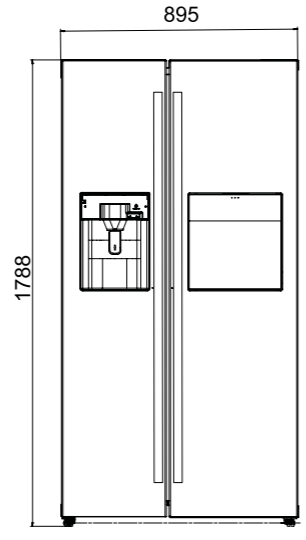
TSL 400 NF



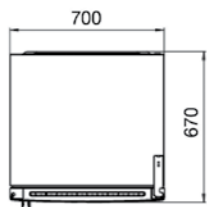
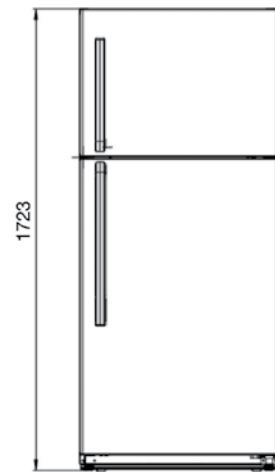
NFM 620 X



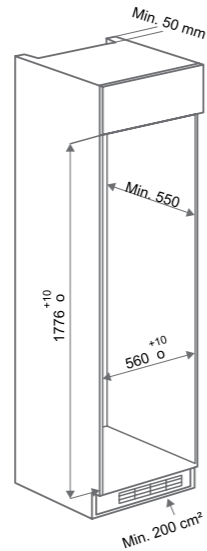
NFM 680 X



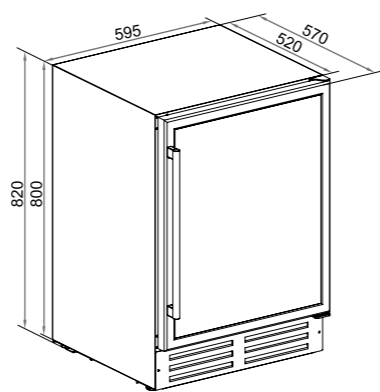
NFM 420 S



CI4 330 WH

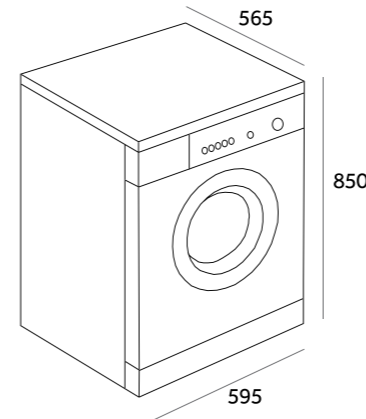


RV 46 D

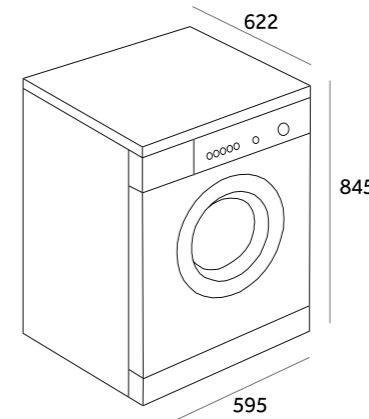


■ TECHNICAL DRAWINGS

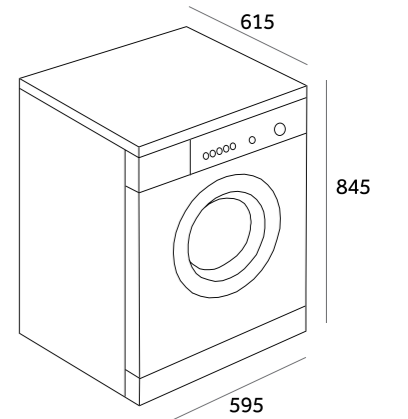
TKD 1610 WD / TKD 1490 / TKD 1480



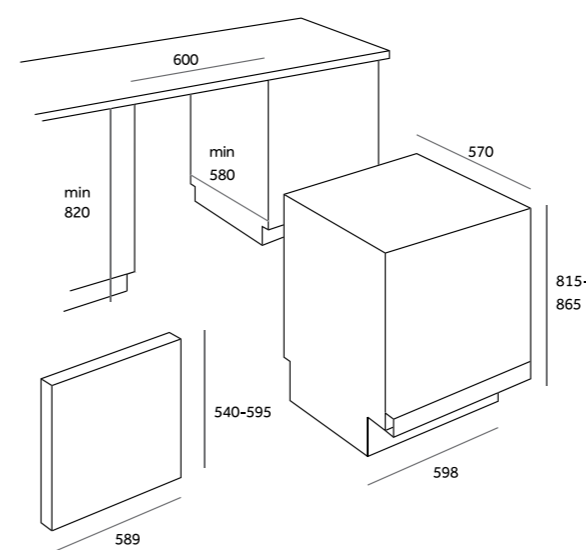
TKS 890 H



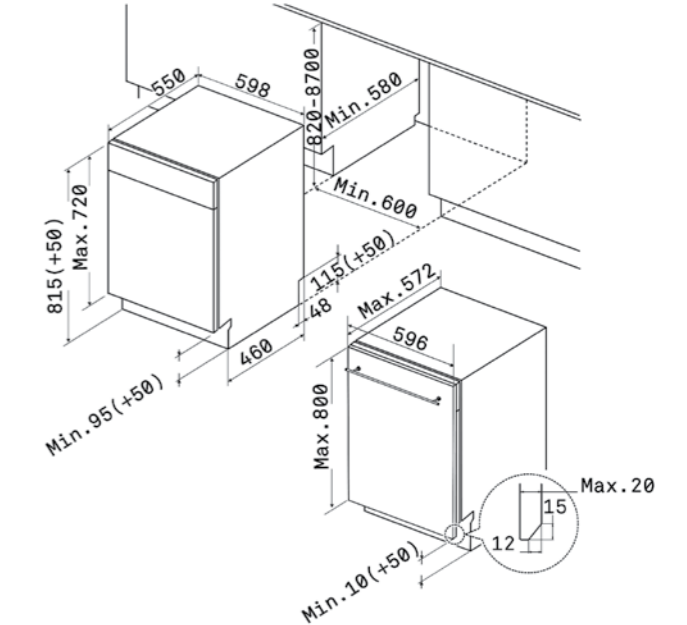
TKS 850 C



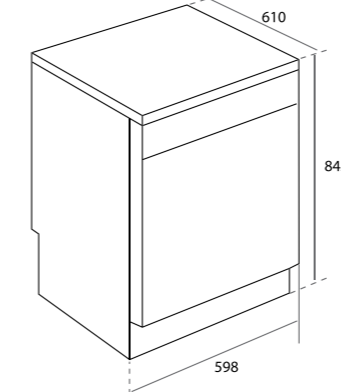
DW 605 S



DW9 70 FI



LP9 850





Authorized Dealer:



[teka.com.my](http://teka.com.my)



[tekamalaysia](https://www.facebook.com/tekamalaysia)

TEKA KÜCHENTECHNIK (MALAYSIA) SDN. BHD. HEAD OFFICE & SHOWROOM  
10, Jalan Kartunis U1/47, Temasya Industrial Park, 40150 Shah Alam, Selangor, Malaysia  
Tel : 03-76201600 Fax : 03-76201626