

Polished Rod Clamp

Rod Rotator

Stuffing Box

Pumping Tee

Rod BOP

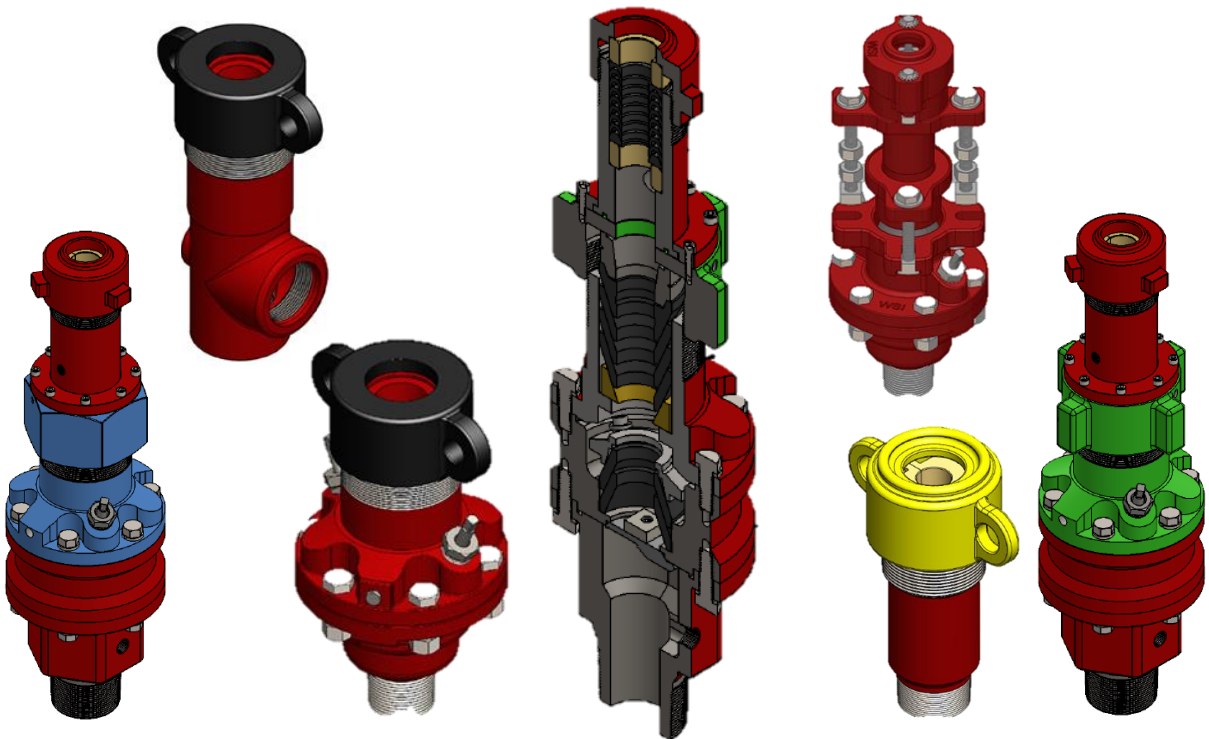
Wellhead Systems Inc.

Pumping and Polished Rod Accessories



WSI Difference

Wellhead Systems Incorporated (WSI) products have been recognized over decades, for unmatched quality, design and superior customer support and service throughout the globe. WSI was the first in the industry to come out with a complete 3000 PSI artificial lift hookup for the oil and gas industry and continued meeting customer demands by offering enhancements and add-ons to existing products in an effort to help customers increase productivity and decrease overall operating costs. Today, WSI conducts business throughout North America and many international markets spanning the world. While WSI has experienced a significant growth trend, our commitment to the customer's success through our products drives everything that we do. Thank you to our customers!



WSI Quality Features

- Largest Product Line in Industry
- Patented Designs
- Special "One-Off" Designs
- Superior Field Service and Training
- Years of Proven Experience
- NACE Options
- Largest Selection of Accessories
- Corrosion Resistant Materials & Coatings
- Environmental Systems
- Parts Interchangeability between models

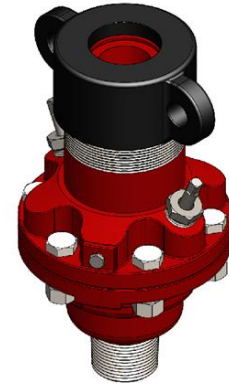
"Make Your Connection with **WSI**"



Table of Contents

Description	Page
“Premier” Model Stuffing Boxes	
BSSP, BSTB™, BSDP	4
BSPCDP(1.5K, 3K & 5K), PCDP (1.5K)	5
“Economy” Model Stuffing Boxes	
SPSB, TBSB, DPSB	6
IVSB, IVTBSB, IVDPSB.....	7
Jack Stuffing Box (JSB), Wheel Stuffing Box (WSB).....	8
Stuffing Box Accessories	
Upper Glands	9
Environmental Protection Systems	10
Stuffing Box Packing	
“Economy” Cone & “V” Style Packing	11
“Premier” Packing	12
Stuffing Box Packing Guideline	
Packing Compound Specifications	13
Pumping Tees	
3000 & 5000 PSI Tees	14
“Economy” Blow-Out Preventers (BOP)	
Model 150, Model 300 & Model 312	15
“Premier” Blow-Out Preventers (BOP)	
Model 300T & 500T	16
Model 500F & 1000F	17
Polished Rod Accessories	
Polished Rod Clamps	18
“Premier” Rod Rotators	19
Polished Rod Lubricator, Leveling Plate	
Rotator Greaser Kit & Stack out Tool	20
Wellhead Systems Incorporated	
Terms and Conditions	21

**Premier
Model's - BSSP, BSTB™, BSDP**



Model BSSP Stuffing Box (BSSP)

- Easy to adjust threaded cap – NO BOLTS (great in steam & high salt water cut area's)
- Low profile design, ideal for short stroke pumping units
- Reduces costly packing maintenance time
- Even adjustment of packing every time!
- Convenient protection of packing when stacking out rods

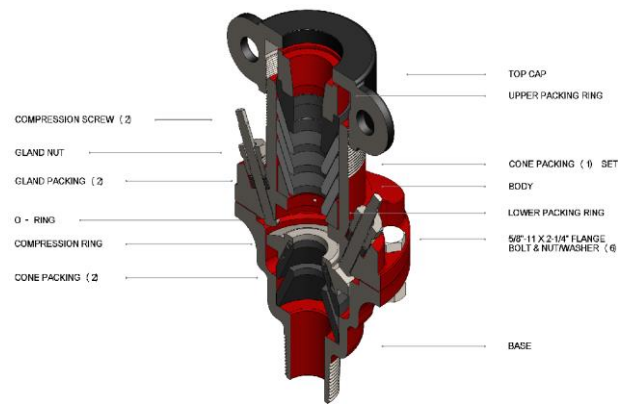
Model BSTB™ Stuffing Box (BSTB™)

- Easy to adjust threaded cap – NO BOLTS (great in steam & high salt water cut area's)
- Eliminates one connection
- Low profile design, ideal for short stroke pumping units
- Standard brass inverter ring reduces polished rod scaring
- Even adjustment of packing every time!

Model BSDP Stuffing Box (BSDP)

- Easy to adjust threaded cap – NO BOLTS (great in steam & high salt water cut area's)
- Oil Field Grade rugged box, built for performance under tough conditions
- Lower profile compared to "Classic" model double packed stuffing box
- Even adjustment of packing every time!
- Two ¼" NPT ports (180° apart) for grease zerk & pressure gauge

SPECIFICATIONS	BSSP	BSTB™	BSDP
Working Pressure	1500 PSI	1500 PSI	1500 PSI
BTM Thread (API tubing or LP)	2", 2-1/2", 3"	2-3/8" & 2-7/8"	2", 2-1/2", 3"
Bottom Connection	Male	Female	Male
Weight			
• 2"	20 lbs.	24 lbs.	45 lbs.
• 2-1/2"	21 lbs.	25 lbs.	45 lbs.
• 3"	21 lbs.	26 lbs.	46 lbs.
Height	9-3/4"	11"	15"
Material	Ductile Iron*		
Split cone packing rod sizes	1", 1-1/8", 1-1/4", 1-5/16", 1-3/8" 1-1/2", 1-3/4"		
Pieces Required:			
• Top Cones	3	3	5
• Bottom Cones	1	1	1



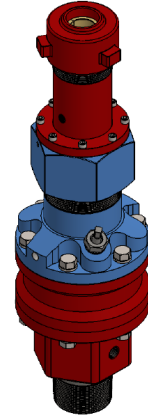
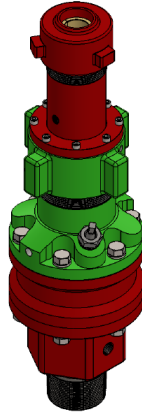
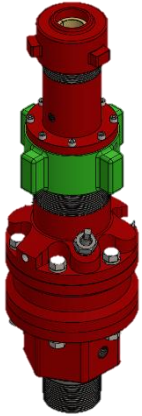
**DOUBLE PACKED STUFFING BOX
"BS" BODY ASSEMBLY**

* Corrosion-resistant coatings available, contact customer service



Premier

Model's - BSPCDP(1.5K, 3K & 5K), PCDP(1.5K)



Model BSPCDP Stuffing Box (BSPCDP) 1500 PSI WP

- Meets NACE MR-01-75
- If polished rod breaks, flapper closes automatically
- Easy to adjust threaded cap – NO BOLTS
- Super Dome™ style primary packing available for 1500 PSI model
- Two ¼" NPT ports (180° apart) for grease zerk & pressure gauge

Model BSPCDP Stuffing Box (BSPCDP) 3000 PSI WP

- Meets NACE MR-01-75
- If polished rod breaks, flapper closes automatically
- Easy to adjust threaded cap – NO BOLTS
- Super Dome™ style primary packing
- Two ¼" NPT ports (180° apart) for grease zerk & pressure gauge

Model BSPCDP Stuffing Box (BSPCDP) 5000 PSI WP

- Meets NACE MR-01-75
- If polished rod breaks, flapper closes automatically
- Easy to adjust threaded cap – NO BOLTS
- Two ¼" NPT ports (180° apart) for grease zerk & pressure gauge
- Super Dome™ style primary packing

SPECIFICATIONS	PCDP	BSPCDP	BSPCDP	BSPCDP
Working Pressure	1500 PSI	1500 PSI	3000 PSI	5000 PSI
BTM Thread (API tubing or LP)	2-3/8" 2-7/8" 3-1/2" or 3"	2-3/8" 2-7/8" 3-1/2"	2-3/8" 2-7/8" 3-1/2"	2-3/8" 2-7/8" 3-1/2"
Bottom Connection	Male/Flg.	Male/Flg.	Male/Flg.	Male/Flg.
Height	24-1/2"	28"	28"	28"
Split packing rod sizes	1" to 1-3/4"	1-1/8" to 1-3/4"	1-1/8" to 1-3/4"	1-1/8" to 1-3/4"
Pieces Required:				
• Top Cones/Dome	5 Cone	5 Cone	3 S-Dome	3 S-Dome
• Bottom Cones	1 BTM.	1 BTM.	2 Cone	2 Cone
V Style Packing				
• Packing O.D.	2-1/2"	2-1/2"	2-1/2"	2-1/2"
• Stack Height	3"	3"	3"	3"



Model Pollution Control Double Packed (PCDP) 1500 PSI WP

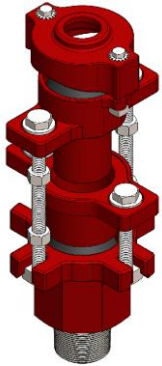
- If polished rod breaks, flapper closes automatically
- Two independently adjustable packing chambers
- Meets NACE MR-01-75
- Base has ½" NPT test port

- Corrosion-resistant coatings available, contact customer service
- ECSS system available for all stuffing boxes



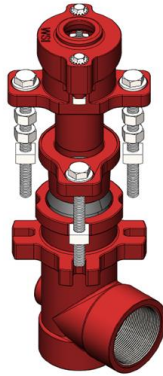
Economy

Model's - SPSB, TBSB & DPSB



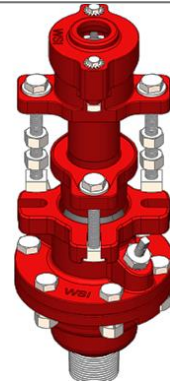
Model Single Packed Stuffing Box (SPSB)

- Standard design
- Proven dependable performance
- Grease zerk
- Optional Oil Reservoir Gland (ORG) or Environmental Lube Upper Gland (ELUG™)
- Distinctive misaligning feature reducing need for exact pumping unit alignment



Model Tee Base Stuffing Box (TBSB)

- Combines stuffing box and pumping tee w/ 1" bleeder
- Eliminates one connection
- Side outlets:
 - 2" LP w/ 2" BTM connection
 - 3" LP w/ 2-1/2" or 3" BTM connection
- Grease zerk
- Optional Oil Reservoir Gland (ORG) or (ELUG™)

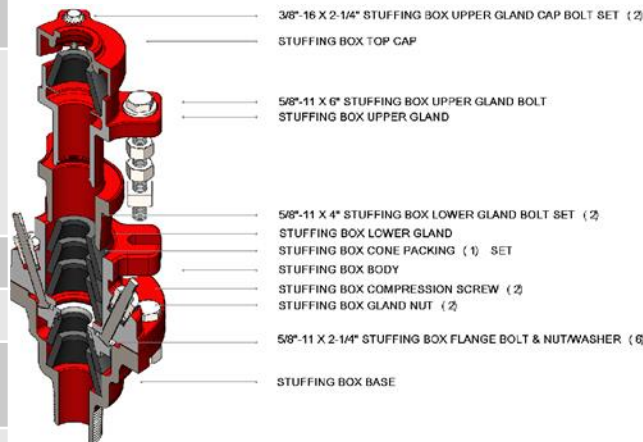


Model Double Packed Stuffing Box (DPSB)

- Most popular stuffing box in the industry
- Grease zerk
- Distinctive misaligning feature reducing need for exact pumping unit alignment
- Optional Oil Reservoir Gland (ORG) or Environmental Lube Upper Gland (ELUG™)
- Proven dependable performance

SPECIFICATIONS	SPSB	TBSB	DPSB
Working Pressure	1500 PSI	1500 PSI	1500 PSI
BTM Thread (API tubing or LP)	2", 2-1/2", 3"	2", 2-1/2", 3"	2", 2-1/2", 3", 4"
Bottom Connection	Male	Female	Male
Weight			
• 2"	24 lbs.	33 lbs.	50 lbs.
• 2-1/2"	25 lbs.	37 lbs.	51 lbs.
• 3"	26 lbs.	42 lbs.	52 lbs.
• 4"	N/A	N/A	56 lbs.
Height	13-1/2"	16"	17"
Material	Ductile Iron*		
Split cone packing rod sizes	1", 1-1/8", 1-1/4", 1-5/16", 1-3/8" 1-1/2", 1-3/4"		
Pieces Required:			
• Top Cones	4	4	6
• Bottom Cones	1	1	1

NOTE: All Classic models can be converted to "Inverted" style box



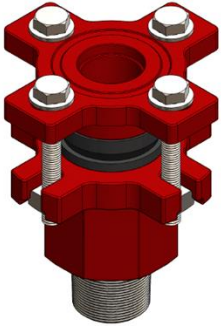
DOUBLE PACKED STUFFING BOX

* Corrosion-resistant coatings available, contact customer service



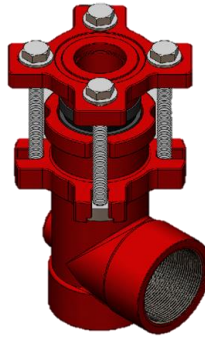
Economy

Model's - IVSB, IVTBSB & IVDPSB



Model Inverted Stuffing Box (IVSB)

- Lowest profile design
- Ideal for smaller pumping units with minimum stroke length
- Inverted cone packing provides additional surface contact and wear characteristics



Model Inverted Tee Base Stuffing Box (IVTBSB)

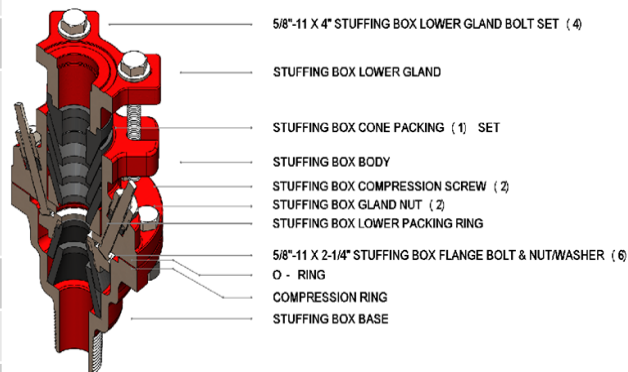
- Combines IVSB and pumping tee with 1" bleeder
- Eliminates one connection
- Lower profile than Classic models
- Side outlets:
 - 2" LP w/ 2" BTM connection
 - 3" LP w/ 2-1/2" or 3" BTM connection



Model Inverted Double Packed Stuffing Box (IVDPSB)

- Rugged built for performance under tough oilfield conditions
- Lower profile than Classic model
- Proven dependable performance
- Inverted cone packing provides additional surface contact and wear characteristics

SPECIFICATIONS	IVSB	IVTBSB	IVDPSB
Working Pressure	1500 PSI	1500 PSI	1500 PSI
BTM Thread (API tubing or LP)	2", 2-1/2", 3"	2", 2-1/2", 3"	2", 2-1/2", 3", 4"
Bottom Connection	Male	Female	Male
Weight			
• 2"	19 lbs.	28 lbs.	45 lbs.
• 2-1/2"	20 lbs.	32 lbs.	46 lbs.
• 3"	21 lbs.	38 lbs.	47 lbs.
• 4"	24 lbs.	N/A	51 lbs.
Height	10"	12"	14"
Material	Ductile Iron*		
Split cone packing rod sizes	1", 1-1/8", 1-1/4", 1-5/16", 1-3/8" 1-1/2", 1-3/4"		
Pieces Required:			
• Top Cones	3	3	5
• Bottom Cones	1	1	1



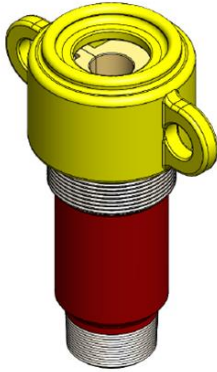
INVERTED DOUBLE PACKED STUFFING BOX

* Corrosion-resistant coatings available, contact customer service



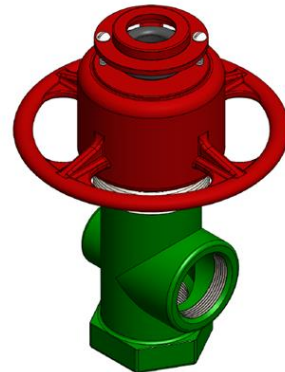
Economy

Jack Stuffing Box & Wheel Stuffing Box



Jack Stuffing Box (JSB)

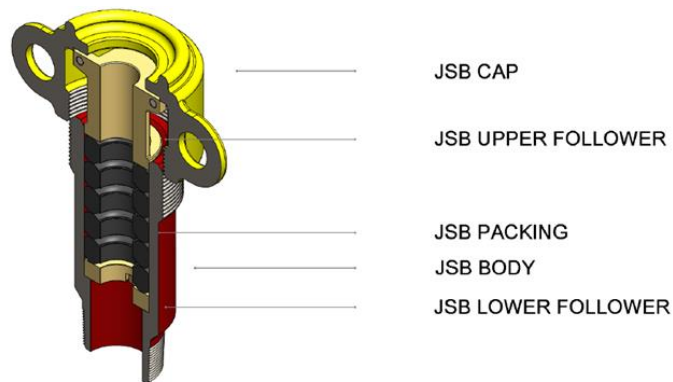
- Economy stuffing box
- Easy to adjust threaded cap – NO BOLTS (great in high salt water cut area's)
- Low profile design, ideal for short stroke pumping units
- Reduces costly packing maintenance time
- Even adjustment of packing every time!



Wheel Stuffing Box (WSB)

- Economy stuffing box
- Easy to adjust threaded cap – NO BOLTS (great in high salt water cut area's)
- Integral pumping tee
- Reduced connections
- Low profile design, ideal for short stroke pumping units
- Reduces costly packing maintenance time
- Even adjustment of packing every time!

SPECIFICATIONS	JSB	WSB
Working Pressure	2500 PSI	2500 PSI
BTM Thread (API tubing or LP)	2", 2-1/2", 3"	2-3/8" & 2-7/8"
Bottom Connection	Male	Female
Height	7-1/2"	9-1/2"
Material	Ductile Iron*	
Crown ring packing rod sizes	1" to 1-1/2"	
Crown rings required:	5	3



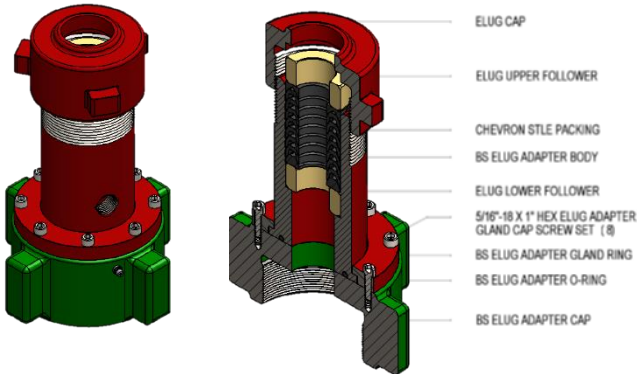
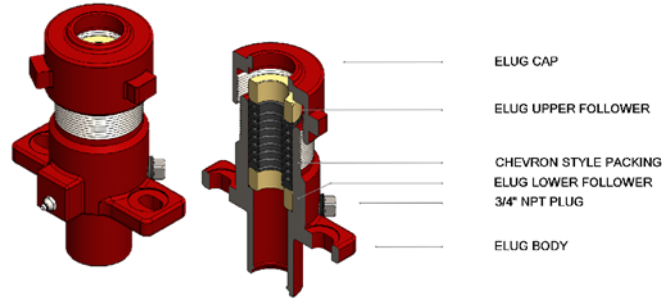
* Corrosion-resistant coatings available, contact customer service



Upper Glands

Environmental Lube Upper Gland (E-LUG™)

- Best design for leak detection glands
- Provides secondary seal for stuffing box
- Fits any “classic” style stuffing box
- Uses V style packing
- Adapts to any WSI “Environmental Protection Systems”
- Rod Sizes: 1” – 1-3/4”
- Body & cap: ductile iron
- Upper/lower packing rings: Brass/split optional

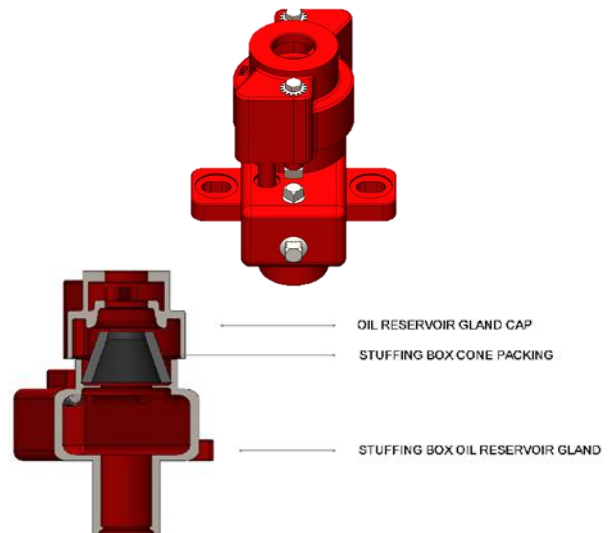


BS Environmental Lube Upper Gland (BSE-LUG™)

- Same features as above, but designed for “Premier” style stuffing box
- Adapts to any WSI “Environmental Protection Systems”
- Designed for “BS” stuffing boxes only
- Modified flange design connection, eliminates potential separation between E-LUG and Stuffing box

Standard Oil Reservoir Gland (S-ORG™)

- Option for wells that pump or flow off.
- One quart reservoir capacity
- Utilizes Environmental Control Shut-down Switch unit (ECSS™)
- Top split cone wiper controls oil film on polished rod.
- Rod sizes: 1” – 1-3/4”
- Material: ductile iron
- Fits any “Classic” style stuffing box
- Adapts to any WSI “Environmental Protection Systems”





Environmental Protection Systems

Environmental Control Shut-down Switch (ECSS™)

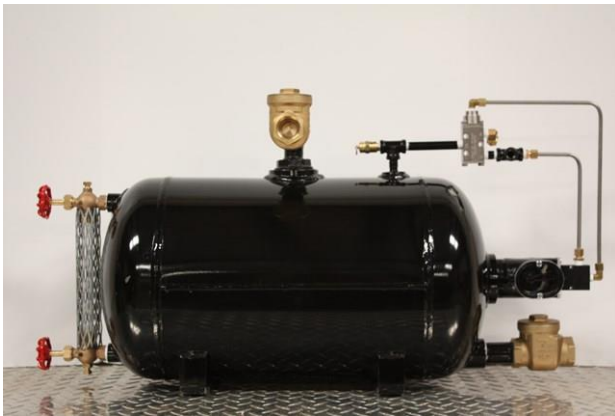
- Meets NEC Class 1, Div. 1, UL requirements
- Standard and Explosion proof options
- Works with electric and gas power sources
- Corrosion resistant components
- Long travel float
- Both “Normally Open” and “Closed” contacts
- Utilized with S-ORG™, E-LUG™ and BSE-LUG™
- Optional 1.25 Gallons stainless steel canister available with Standard and Explosion proof options



Float Style



Weighted Style



Anti-Pollution Tank

WSI's tank is a gravity feed tank, that allows fluid to pass through the inlet check valve filling the tank, while staying at atmospheric pressure. A pneumatic float controller mounted in the end of the tank controls a three way switch. The 1/4" three way valve mounted on top of the tank will open when the tank is full. When the valve is open, pressure (not exceeding 100 PSI) will enter tank, closing the inlet check and opening the bottom check valve, forcing fluids out of the tank into the flow line or storage tank. Upon emptying, supply pressure is shut off and the remaining pressure in the tank is vented off.

Includes following equipment: *(as pictured)*

10 Gallon ASME Coded

1" Inlet / Discharge Checks

100 PSI Relief Valve

Level Controller with Stainless Steel Float

1/4" Stainless Steel 3 – way valve

Gauge Cocks /Sight Glass / Sight Glass Guard



Economy

Cone & "V" Style Packing

The stuffing box is perhaps the most important piece to your artificial lift surface hookup from the standpoint, it is your **SEAL**. The most important component to the stuffing box sealing, is the packing inside the stuffing box. WSI continually tests new and better materials to meet the demands for ever-changing well conditions. By working with rubber manufacturers and field testing new designs, WSI wants to make certain that our packing stands up to stringent durability and performance standards. Cone packing is available in sizes for all polished rods 1" through 1-3/4" in sets of 4 (3 top cone and 1 bottom cone).

Soft Cone Packing

For sweet crudes with high oil-to-water ratios and low abrasives

Teflon Cone Packing

For sweet crudes low oil-to-water ratios and/or for reducing polish rod noise in noise-sensitive areas.

Brass Filled Cone Packing

For sweet crudes with high oil-to-water ratios and low abrasives. Good for reducing polished rod scale build up

Hard Cone Packing

For sweet crudes with low oil-to-water ratios

Fluid Seal™ Cone Packing

For 3000 PSI applications and Pressure energized seal

High Temperature Cone Packing

For steam injection wells producing sweet crude

HSN Cone Packing

Excellent For H₂S and CO₂ wells



Crown Ring Packing

For use with economy stuffing boxes.



"V" Style Packing

Available in NBR or HSN compounds. Used in E-LUG™ for both "Classic" and "Premium" stuffing box models

Important Note: The guidelines on this page are for general purposes only and should not be used as the sole determining factor for packing material selection. Each down hole condition is different and must be addressed on a case-by-case basis to determine the best material solution for your particular well condition.



The stuffing box is perhaps the most important piece to your artificial lift surface hookup from the standpoint, it is your **SEAL**. The most important component to the stuffing box sealing, is the packing inside the stuffing box. WSI continually tests new and better materials to meet the demands for ever-changing well conditions. By working with rubber manufacturers and field testing new designs, WSI wants to make certain that our packing stands up to stringent durability and performance standards.



KB™ Cone Packing

A Kevlar brass packing for sweet crudes with high oil-to-water ratios. Good in CO₂ & H₂S with excellent abrasion resistance. High temperature characteristics, most proven cone compound for steam applications. Also available in crown rings.



“Super Dome™” Packing

Low coefficient of friction reducing heat build up and polished rod drag. Excellent chemical resistance and great wear characteristics in most well conditions. One time conversion kit to retrofit most cone packing stuffing boxes. Greatly reduces stuffing box failure and maintenance cost.



Super Life™ 575 Polyurethane Cone Packing

A polymer packing designed for high water cut applications. Good abrasion resistance. Good against gas decompression due to polymer makeup.



SB Cone Packing

A silicone packing for sweet crudes with high oil-to-water ratios and low abrasives. Also available in crown rings.

NOTE: All packing rubbers life expectancy can be increased with the use of a polished rod lubricator. Especially for wells on timers that may stop on the upstroke.

Important Note: The guidelines on this page are for general purposes only and should not be used as the sole determining factor for packing material selection. Each down hole condition is different and must be addressed on a case-by-case basis to determine the best material solution for your particular well condition.



Packing Compound Specification Table

Compound		Max. Service Temperature with H2S & CO2 below 1%	Maximum Cocentration limits for H2S	Maximum Cocentration limits for CO2	Max. Service Temperature with H2S & CO2 concentration s at Max. limits	Resistance to explosive decompression in CO2 up to 20%	Performance in Steam Environments	Mechanical Tear & Abrasion Resistance
Name	ASTM Type	F / C	%	%	F / C			
ECONOMY & CLASSIC SERVICE PACKING								
SOFT	SBR	160 / 71	2	NR	120 / 49	POOR	POOR	GOOD
HARD	SBR	160 / 71	2	NR	120 / 49	POOR	POOR	GOOD
TEFLON	SBR	160 / 71	2	NR	120 / 49	POOR	POOR	GOOD
BRASSFILLED	SBR	160 / 71	2	NR	120 / 49	POOR	POOR	GOOD
HSN	HNBR	325 / 163	10	20	250 / 121	EXCELLENT	EXCELENT TO GOOD	EXCELLENT
HIGH TEMP	NBR	300 / 149	2	25	250 / 121	GOOD	GOOD	EXCELLENT
CX	NBR	300 / 149	2	25	250 / 121	GOOD	GOOD	EXCELLENT
PREMIER PACKING								
Super Life™ 575	Polymer	200 / 93	10	25	200 / 93	EXCELLENT	POOR	GOOD
SB	SILICONE	350 / 176	2	2	250 / 121	POOR	POOR	FAIR
KB™	XNBR	500 / 260	10	10	325 / 162	GOOD	GOOD	EXCELLENT TO GOOD
NITRILE SUPER DOME™	NBR	250 / 121	2	5	150 / 65	FAIR	POOR	GOOD
HSN SUPER DOME™	HNBR	325 / 163	10	20	300 / 149	EXCELLENT TO GOOD	VERY GOOD	EXCELLENT
*AFLAS SUPER DOME™	TFEP	450 / 232	35	15	350 / 177	FAIR	EXCELLENT	FAIR

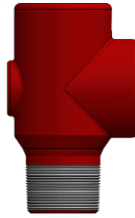
Important Note: The guidelines on this page are for general purposes only and should not be used as the sole determining factor for packing material selection. Each down hole condition is different and must be addressed on a case-by-case basis to determine the best material solution for your particular well condition.

* Afilas is a registered trademark of Aashi Glass Co. Ltd.

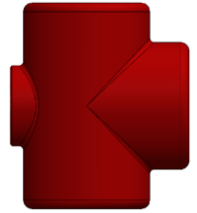


Pumping Tees

- Ductile iron construction on 3000 PSI tees
- Carbon Steel construction on 5000 PSI tees
- Zinc phosphate coated for better thread lubrication
- Multiple thread combinations
- Corrosion resistant coatings available
- 1" NPT standard bleeder port
- Meets NACE MR-01-75

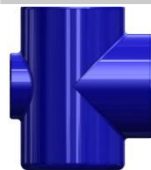


MALE PUMPING TEE



FEMALE PUMPING TEE

Most Common Models (Other Models Available) 3000 PSI Working Pressure Heavy Duty Pumping Tees				
Bottom Thread (Tubing or LP)	Top Thread (Tubing or LP)	Major Side Outlet (LP)	Height	Weight
2"	2"	2"	6"	9 lbs.
2" Male	2"	2"	7-1/4"	7 lbs.
2"	2-1/2"	2"	7-1/4"	13lbs.
2"	3"	3"	8"	21 lbs.
2-1/2"	2"	2"	7-1/4"	13 lbs.
2-1/2"	2-1/2"	2"	7-1/4"	13 lbs.
2-1/2" Male	2-1/2"	2"	8"	10 lbs.
2-1/2"	3"	2"	8"	20 lbs.
2-1/2"	3"	3"	8"	18 lbs.
3"	3"	3"	8"	18 lbs.
3" Male	3"	3"	9-1/2"	19 lbs.
4"	4"	4"	7-3/4"	18 lbs.

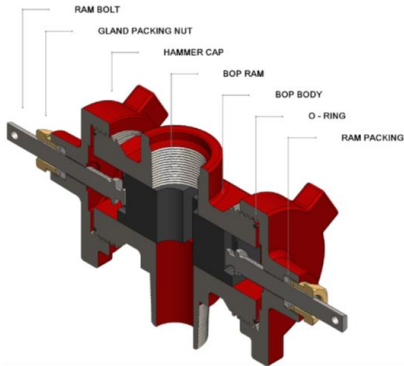


5000 PSI Working Pressure Carbon Steel Pumping Tees				
Bottom Thread (Tubing)	Top Thread (Tubing)	Major Side Outlet (LP)	Height	Weight
2"	2"	2"	6"	11 lbs.
2-1/2"	2-1/2"	2"	7"	15 lbs.
3"	3"	3"	8"	19 lbs.

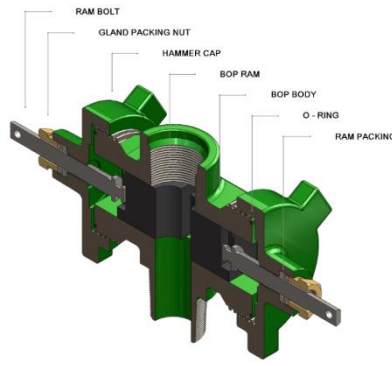
NOTE: 5000 PSI WORKING PRESSURE CARBON STEEL FLOW TEES AVAILABLE UPON REQUEST



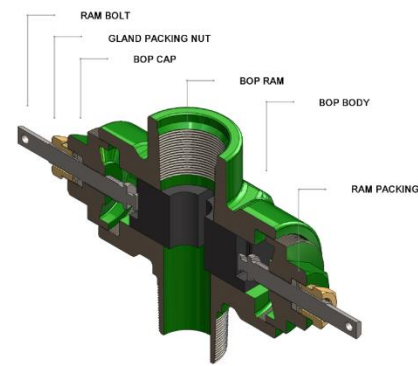
Economy Blow-Out Preventers (BOP)



Model 150



Model 300



Model 312

- Quick opening
- Acme cap thread eliminates cross-threading
- Blow-out proof ram screw
- Full opening
- Reinforced ram block reduces extrusion
- Cap o-ring provides pressure tight seal

- 3000 PSI WP
- Quick opening
- Acme cap thread eliminates cross-threading
- Blow-out proof ram screw
- Full opening
- Reinforced ram block reduces extrusion
- Cap o-ring provides pressure tight seal

- 3000 PSI WP
- Taper thread internal end caps
- Higher working pressure than Model 150
- Full opening
- Ratigan style BOP

SPECIFICATIONS	MODEL 150	MODEL 300	MODEL 312
Sizes Available	2" – 2-1/2" – 3"	2" – 2-1/2" – 3"	2" – 2-1/2" – 3"
Working Pressure	1500 PSI	3000 PSI	3000 PSI
Body & Cap Material	Ductile Iron *	Carbon Steel	Carbon Steel
Ram Material	STD-BUNA, HIGH TEMPERATURE, NACE/HSN		
Ram Screw and Packing Gland	Carbon Steel**	Alloy Steel**	Alloy Steel**
Ram Sizes	Blind, 5/8" – 1", 1-1/8", 1-1/4", 1-1/2", 1-3/4"	Blind, 5/8" – 1", 1-1/8", 1-1/4", 1-1/2", 1-3/4"	Blind, 5/8" – 1", 1-1/8", 1-1/4", 1-1/2", 1-3/4"
Connection	Male X Female	Male X Female	Male X Female
Height	9-1/2"	9-1/2"	10"
Weight	43 lbs.	52 lbs.	52 lbs.
Width (Rams Open)	20"	20"	26"
Handles	Yes	Yes	Yes

* Corrosion resistant materials & coatings available

** NACE stainless steel optional



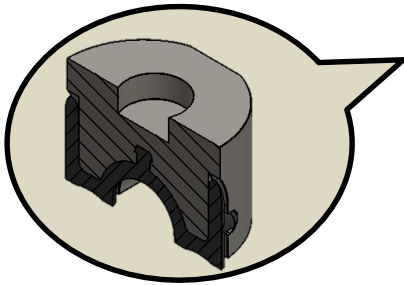
**Premier
Blow-Out Preventers (BOP)**



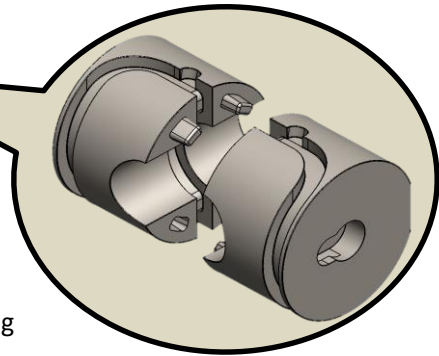
3000 PSI Max. Rating



5000 PSI Max. Rating



- **Patented:** Snap-Loc™ seal design
- NEW Inter-locking ram design



- 100% pressure tested from factory
- Pressure balanced rams allows use of well pressure to assist in closing process, reducing operator effort
- Forged alloy steel body eliminates risk of casting porosity
- Available in 4" and 5" nominal sizes with full opening bore
- Suitable for low temperature (-50°F), & sour service (NACE MR-01-75)
- Available in high temperature models
- **1-1/4", 1-1/2" & blind**

Connections	
Box (UP)	Pin (Down)
2 3/8" EUE	2 3/8" EUE
2 7/8" EUE	2 7/8" EUE
3 1/2" EUE	3 1/2" EUE
3" LP	3 1/2" EUE
3" LP	3" LP

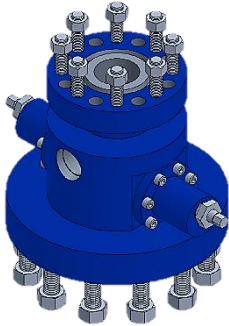


Premier

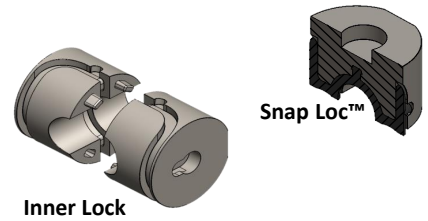
Blow-Out Preventers (BOP)

500F (Single Ram Manual)

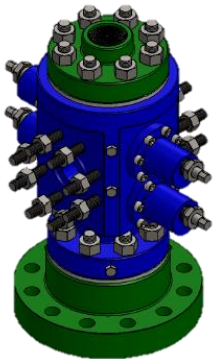
NOTE: Alternative flange sizes available upon request. Custom pricing may apply.



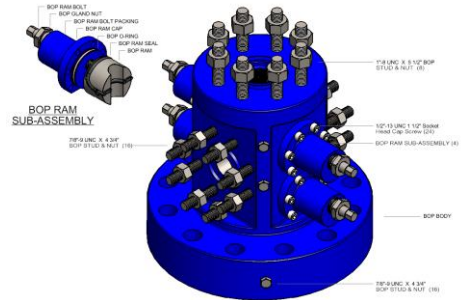
- 3-1/8" flange
- 5000 PSI Max. Rating
- Integral Tee
- 5K Top X Bottom flange
- Rams: Blind, 1-1/4", 1-1/2"
- Standard NACE
- 100% pressure tested from factory



500F (Dual Ram)

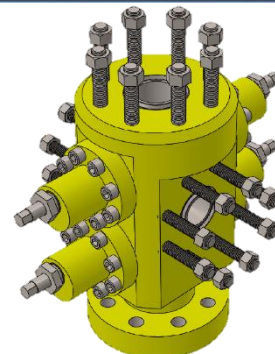


- Patented: Snap Loc™ seal design
- 5000 PSI Max. Rating
- NEW Inter locking ram design
- Manual or Hydraulic actuation available
- 2-9/16/5M" or 7/10M flange BTM
- Integral Tee with dual ram model
- Available in LP or Studded side outlets
- 5K Top X Bottom flange (10M BTM option)
- Rams: Blind, 1-1/4", 1-1/2"
- Standard NACE
- 100% pressure tested from factory



1000F (Dual Ram)

- Patented: Snap Loc™ seal design
- 10,000 PSI Max. Rating
- NEW Inter locking ram design
- Manual or Hydraulic actuation available
- 2-9/16/10M" or 7/10M flange BTM
- Integral Tee with dual ram model
- Studded side outlets only
- Rams: Blind, 1-1/4", 1-1/2"
- Standard NACE
- 100% pressure tested from factory

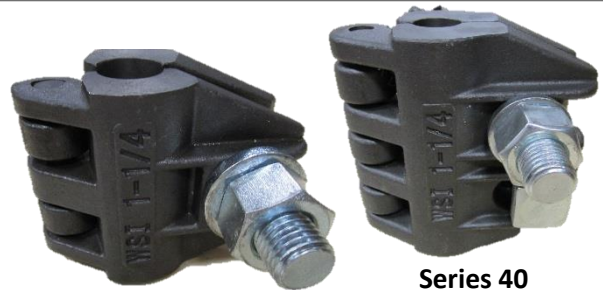




Polished Rod Clamps

Series 25 & Series 40 Series Polished Rod Clamps

- Friction style – Series 40
- Friction Style – Series 25
- Zinc phosphate coating for better corrosion resistance



Series 25

Series 40



Series 10T



Series 10D

Series 10S, 10D & 10T Polished Rod Clamps

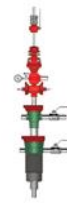
- Most economical design in the industry
- Indention style clamps
- High load limits, yet light & easy to handle
- Lower stress concentrations on polished rods
- Independently hinged segments
- Highest clamping capacity at any bolt torque
- Small diameter for use with rod rotators
- Zinc phosphate coating for better corrosion resistance



Series 10S

SPECIFICATIONS	SERIES 25	SERIES 40	SERIES 10S	SERIES 10D	SERIES 10T
Rated Load	25,000 lbs.	40,000 lbs.	13,000 lbs.	26,000 lbs.	40,000 lbs.
Max. Test Load	35,000 lbs.	55,000 lbs.	32,000 lbs.	64,000 lbs.	76,000 lbs.
Polished Rod Size	1-1/8", 1-1/4" 1-5/16" 1-1/2"	1-1/8", 1-1/4" 1-5/16" 1-1/2" 1-3/4"	1", 1-1/8", 1-1/4" 1-5/16" 1-1/2"	1", 1-1/8", 1-1/4" 1-5/16" 1-1/2"	1", 1-1/8", 1-1/4" 1-5/16" 1-1/2"
Recommended Max. Bolt Torque	250 ft.-lbs.	550 ft.-lbs.	250 ft.-lbs.	250 ft.-lbs.	250 ft.-lbs.
Weight	10.5 lbs.	25 lbs.	3.75 lbs.	7.5 lbs.	11.25 lbs.
Height	4-1/8"	6-3/4"	2-1/2"	5"	7-1/2"
Rotating Diameter	9"	9"	5-3/4"	5-3/4"	5-3/4"
Body Material	Forged Steel	Forged Steel	Forged Steel	Forged Steel	Forged Steel

Important Note: All polished rod clamp bolts must be torqued to specifications noted in table using a calibrated torque wrench.



Premier Pro-Torque™ One-way Bearing Rod Rotators

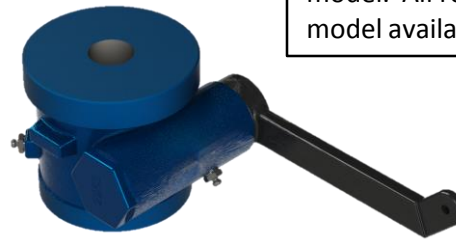
“NEW” WSI Pro-Torque™ family of One-way bearing Rod Rotators. Rod rotation is one of the most effective means of reducing rod coupling and tubing wear, especially when used in conjunction with rod guides.

NOTE: Remote ground greasing kit available for all models (See next page)



GREEN rod rotators indicate “Standard Gear” model. All rod rotators have a “STD” model available noted in table

Retro kits to convert old style “**Ratchet pawl**” driven to “**One-way bearing**” driven rotators available in all models. Contact factory for more information.



BLUE rod rotators indicate “Slow Gear” model. All rod rotators have a “SG” model available noted in table



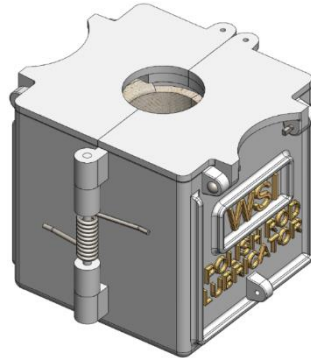
SPECIFICATIONS	1165	1165 SG	2253	2253 SG	4033	4033 SG
Max. Output Torque (ft.-lbs.)	106	106	120	120	240	240
Max. recommended load	13,000 lbs.	13,000 lbs.	26,000 lbs.	26,000 lbs.	40,000 lbs.	40,000 lbs.
Required opening between bridle lines	4"	4"	6"	6"	7"	7"
Polished rod sizes	1-1/8" – 1-1/4"	1-1/8" – 1-1/4"	1 1/8" – 1 1/2"	1-1/8" – 1-3/4"	1-1/8" – 1-3/4"	1-1/8" – 1-3/4"
Shipping weight	18 lbs.	18 lbs.	35 lbs.	35 lbs.	47 lbs.	47 lbs.
Height	4-1/4"	4-1/4"	5-1/2"	5-1/2"	6-1/2"	6-1/2"
Rotation type	Helical gear	Helical gear	Helical gear	Helical gear	Helical gear	Helical gear
Body material	Ductile iron	Ductile iron	Ductile iron	Ductile iron	Ductile iron	Ductile iron
*Actuator cable	16'	16'	16'	16'	25'	25'
90° lever pulls per revolution	28	46	60	118	77	154



Polished Rod Lubricator, Leveling Plate, Rotator Greaser Kit, Stack-out Tool

Polished Rod Lubricator

- Provides polished rod lubrication, reducing friction heat
- Lubrication extends stuffing box packing life
- Easy installation and can be used with any stuffing box
- 1 quart capacity reservoir
- Available for all polished rod sizes



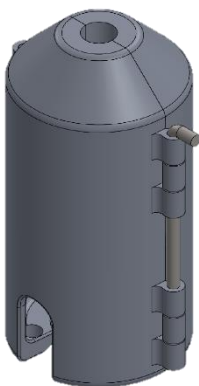
Leveling Plate

- Minimizes polished rod breaks
- Compensates for carrier bar misalignment up to 2 degrees
- Installed under rod rotator, polished rod clamp, or pump off controller to help compensate for damaged or uneven carrier bar surfaces
- Available for all polished rod sizes (pilot options)
- Ensures uniform engagement between polished rod clamp and carrier bar



Remote Rod Rotator Greaser

- Eliminates the need for service bucket truck and safety harness
- Not necessary to shut unit down to grease
- Easy installation
- Available with all models



Stack-out Tool

- Rod Stack out tool
- Fits classic double pack stuffing boxes as well as "BS" style double pack stuffing boxes
- Will accommodate ELUG on either model stuffing box
- 50,000 lbs. max load rating
- One tool for multiple stuffing boxes

DEFINITIONS: For purposes of this document, the following terms shall have the meaning stated as follows: (A) "WSI": WSI Holdings db/a Wellhead Systems, Inc., its subsidiaries, divisions and other affiliates. (B) "WSI Group": WSI, its subsidiaries, divisions and other affiliates and their respective officers, directors, employees and agents, individually and collectively. (C) "Equipment": All equipment, tools, products, materials and supplies and/or merchandise rented or sold by WSI and/or provided in connection with services performed by WSI. (D) "Services": All services furnished by WSI, including services of employees and equipment, tools, trucks and/or other merchandise necessary to perform any such employee's job. (E) "Customer": Party ordering and/or on whose behalf Equipment and/or Services are ordered and/or received from or furnished, rented or sold by WSI. (F) "Claims": All liabilities, losses, claims, fines, penalties, demands, causes of action, proceedings, damages and penalties, including attorney's fees and court costs and expenses.

TERMS AND CONDITIONS: Equipment ordered by Customer shall be sold by WSI only on the following terms and conditions of sale ("Sales Terms"). Equipment and Services furnished to Customer by WSI shall be furnished only on the following terms and conditions of Service ("Service Terms"). The Sales Terms and Service Terms shall be referred to herein, individually and collectively, as the "Terms and Conditions". The following provisions are included in each of the applicable Terms and Conditions:

(A) **General:** These Terms and Conditions constitute the entire contract (the "Contract") between the parties and may not be amended except in writing by WSI's authorized representative. Each shipment received by, and Services furnished to, Customer will be only on these Terms and Conditions, notwithstanding different or additional terms and conditions contained on any of Customer's forms, which are hereby objected to and which will not be binding on WSI. The failure of either party to enforce any provision hereof will not constitute a waiver or preclude subsequent enforcement thereof. No partial invalidity of this agreement will affect the remainder. The laws of the State of Texas shall govern the validity, construction, interpretation, and effect of these Terms and Conditions, excluding any choice of law rules which would otherwise require the application of laws of any other jurisdiction, and specifically including any applicable laws governing sanctions or the control of exports. Any dispute related to this Contract that cannot be resolved by negotiation between Customer and WSI shall be settled by binding arbitration conducted in accordance with the Commercial Arbitration Rules of the American Arbitration Association, as amended by this Contract. The arbitration shall take place in Houston, Texas, USA. The parties agree that this provision, the arbitrator's authority to grant relief, and all post-arbitration proceedings shall be subject to the provisions of this document, the governing law specified herein, the United States Arbitration Act, 9 U.S.C. et seq., and the ABA-AAA Code of Ethics of Arbitrators in Commercial Disputes. The arbitrator shall have no power or authority to make awards or issue orders of any kind except as expressly permitted by this document and the substantive law referenced above, and in no event shall the arbitrator have the authority to make any award that provides for punitive or exemplary damages or attorneys' fees.

(B) **Credit:** Any agreement between WSI and Customer is subject to Customer establishing and maintaining credit satisfactory to WSI. WSI reserves the right to approve or reject the credit of any Customer and to establish credit terms for each Customer. WSI can terminate this Contract or modify credit terms at any time prior to delivery of Equipment or furnishing of Equipment or Service personnel without liability if WSI's assessment of Customer's financial condition changes. WSI reserves the right, prior to making any shipment of Equipment or furnishing of Equipment or Service personnel, to require that Customer furnish security for performance of Customer's obligations. Standard payment terms are net 30 days, except as provided elsewhere herein. All payments, unless otherwise specified, shall be made in U.S. Dollars to the address specified on the invoice without any deductions or setoffs. All currency exchange rate changes, duties, taxes, etc., not specifically included on the face of the quotation and/or invoice shall be paid by Customer. If credit terms are not met, in addition to its other legal rights, WSI may (i) defer or cancel, at its option, further shipments of Equipment or Service personnel and (ii) charge Customer interest at the maximum rate permitted by applicable law on the unpaid balance due. Customer will pay all of WSI's costs, including attorney's fees and court costs, incurred in connection with the collection of past due amounts from Customer.

(C) **NO CONSEQUENTIAL DAMAGES:** WSI WILL NOT BE RESPONSIBLE FOR INCIDENTAL OR CONSEQUENTIAL DAMAGES OF ANY KIND, WHICH SHALL INCLUDE BUT NOT BE LIMITED TO, LOSS OF REVENUE, PROFITS OR ANTICIPATED PROFITS, LOSS OF BUSINESS OPPORTUNITY, LOSS OF PRODUCTION, DAMAGES FOR FAILURE TO MEET DEADLINES, LOSS OF USE, RIG TIME EXPENSES, WELL CONTROL EXPENSES, SUBSURFACE DAMAGE, LOSS OF HOLE, RE-DRILLING EXPENSES, RESERVOIR OR FORMATION DAMAGE, POLLUTION DAMAGE AND/OR WRECK OR DEBRIS REMOVAL EXPENSE ("CONSEQUENTIAL DAMAGES").

(D) **Force Majeure:** WSI will not be liable for any damages, including special and Consequential Damages, caused by events of force majeure or any other occurrences beyond WSI's reasonable control. In the event of any such occurrence, the time for performance will be extended automatically for such reasonable time as is necessary to permit performance hereof.

(E) **DISCLAIMER OF WARRANTIES/SERVICES AND TECHNICAL INFORMATION:** ANY ASSISTANCE IN EQUIPMENT INSTALLATION OR TECHNICAL OR ENGINEERING INFORMATION CONCERNING EQUIPMENT OR SERVICES PROVIDED BY WSI WILL BE ADVISORY ONLY, AT CUSTOMER'S SOLE COST AND ON AN "AS IS" BASIS. NO WARRANTY IS GIVEN WITH RESPECT TO SUCH SERVICES OR INFORMATION AND WSI WILL NOT BE LIABLE FOR ANY CLAIMS ARISING FROM ITS FURNISHING OR CUSTOMER'S USE OF SUCH ASSISTANCE OR INFORMATION.

(F) **Availability:** Customer agrees that, although a price is listed in any Price List, the Equipment listed may or may not be available in all and/or any of WSI's locations.

(G) **Insurance:** The parties agree that the indemnities provided by Customer herein shall be supported either by available insurance or be voluntarily self-insured, in whole or part. Customer will, at its expense, maintain a policy of insurance with limits of at least US\$500,000 insuring Customer's obligations herein, which policies shall be primary and name WSI as additional insured. Customer shall provide WSI with a current certificate of insurance as evidence of such insurance policy.

(H) **Taxes:** All prices and day rates quoted are net of customs fees, duties, and all taxes (including, sales, use, excise or similar taxes and foreign withholding taxes) and Customer shall be responsible for all such amounts.

(I) **Acceptance:** Customer acknowledges and represents that it has reviewed these terms, conditions and the prices in the applicable Price List, including any additional terms and conditions concerning specific Equipment and/or Services where applicable and Customer shall keep itself apprised of all revisions, changes and/or amendments thereto.

(J) **Assignment:** Customer may not assign any rights or obligations hereunder, without WSI's written consent.

(K) **Amendment of Indemnities to Conform to Law:** The indemnities provided by Customer herein shall be limited to the extent necessary for compliance with the laws of the applicable jurisdiction, and to the extent any laws are at variance with the indemnities provided herein, such indemnities shall be deemed to be amended so as to comply with such laws.

(L) **Termination/Survival:** No termination shall relieve Customer of any liability incurred hereunder and the obligations of Customer hereunder shall continue and survive such termination, including all indemnities contained herein which are made expressly for the benefit of WSI Group.

(M) **Acceptance of Terms and Conditions by Customer:** (i) In the event of a conflict between these Terms and Conditions and the provisions of any of Customer's printed or other prepared form of purchase orders, work or service orders, job or delivery tickets, or other similar forms, the provisions of these Terms and Conditions shall govern and control. (ii) Customer agrees to the Terms and Conditions contained herein, unless Customer specifically objects to WSI in writing, to those specific Terms and Conditions which are not acceptable, (a) no later than 7 days after sales confirmation date or invoice date, whichever is earlier, or (b) prior to the time WSI, as per Customer's request, dispatches Equipment or Service personnel to Customer, whichever is earlier. Any conflict between these Terms and Conditions and the provisions of any of Customer's work or service orders, job or delivery tickets, or any other similar forms, shall not constitute an objection in writing by Customer. These Terms and Conditions shall not be altered, changed or modified, except as specifically provided herein or by the written agreement of Customer and WSI, signed by a duly authorized officer or representative of WSI.

(N) **Existing Agreements:** In the event that Customer and the applicable WSI entity supplying the goods and services have entered into a current Master Service Agreement (MSA) the terms and conditions of the MSA shall control.

(O) **Registrations:** Customer hereby authorizes WSI to sign on Customer's behalf any financing statements, financing charge statements or similar documents necessary to perfect any security interest or lien created in WSI's favor in this Contract. Customer hereby waives its right to receive copies of any such statements or documents.

(P) **Confidentiality:** Customer shall strictly maintain the confidentiality of all confidential information concerning WSI, Equipment or Services, which is acquired by or disclosed to Customer. Customer shall not acquire any title, interest or rights in such confidential information pursuant to this Contract.

SALES TERMS

1. **LIMITED WARRANTY/DISCLAIMER:** (A) Provided that Customer subjects Equipment only to operating conditions specified by Customer when the order is placed, if any, and operates it in accordance with WSI's written operating instructions, if any, WSI warrants Equipment sold pursuant hereto to be free of defects in material and workmanship for a period of 1 year after the date Equipment is delivered. The above warranty does not apply to: (i) used Equipment or Equipment that has been repaired or worked over; (ii) Equipment that has been modified or subjected to improper handling, storage, installation, operation or maintenance by Customer, including use of unauthorized replacement parts; (iii) component parts not manufactured by WSI, whether purchased by WSI or furnished by Customer, such parts being subject to any applicable manufacturer's warranty; (iv) parts requiring replacement because of normal wear and tear; (v) design on those jobs where WSI prepared drawings, lists or bills of material from designs furnished by others; and (vi) models or samples furnished to Customer as illustrations only of general properties of equipment. This warranty will not apply if Customer, on request by WSI, does not return the defective part to WSI for inspection, freight prepaid. (B) WSI's liability for breach of this warranty is expressly limited to the repair or replacement, at its sole option, of any Equipment or parts of Equipment which prove to be defective during the warranty period. All parts repaired or replaced hereunder shall be repaired or replaced F.O.B. WSI's Plant (i.e. location from which Equipment is shipped.) (C) WSI'S OBLIGATION TO REPAIR OR REPLACE CONSTITUTES AGREED AND LIQUIDATED DAMAGES FOR ANY BREACH OF WSI'S WARRANTY. THIS LIMITED EXPRESS WARRANTY, AND THE STATED REMEDIES FOR BREACH THEREOF, SHALL BE IN LIEU OF ANY AND ALL OTHER WARRANTIES, EXPRESS OR IMPLIED, INCLUDING WITHOUT LIMITATION, WARRANTIES FOR MERCHANTABILITY OR FITNESS FOR ANY PARTICULAR PURPOSE, AND IN LIEU OF LIABILITY FOR WSI'S NEGLIGENCE OR FAULT. WSI WILL NOT BE RESPONSIBLE FOR INCIDENTAL OR CONSEQUENTIAL DAMAGES OF ANY KIND. (D) Notice of defective products or services must be given in writing to WSI by the Customer. Customer or user of the products must keep the products in unaltered condition for examination by WSI representative. All warranty claims must be made within ten (10) days after discovery, or after such claims should have been discovered, or else be barred from any remedy.

Notwithstanding the preceding, used parts and assemblies – unless rebuilt by WSI and specifically stated otherwise on the quotation or invoice, will carry no warranty. Warranties will not apply and be void if the product or Service has been subjected to or suffered misuse, negligence, abuse, neglect, accident, or has not been installed or operated or repaired in accordance with applicable published instructions or has been installed in or operated under more severe conditions than those specified for the particular product or Service or has been altered so as to affect its ability or reliability (except where such alteration has been accomplished with the prior written consent of WSI). Products sold by WSI, but manufactured by another company, will carry only the warranty of the manufacturer, and Customer will rely solely on that warranty. The liability of WSI for any loss or damage resulting to Customer or user or any third party from any defect in any product or Service will not, in any case, exceed the selling price which WSI received from Customer for that product or Service. WSI does not warrant that any of the products sold by it, if used or sold in combination with other equipment or used in the practice of methods or processes, will not, by virtue of such combination or use, infringe patents of others and WSI shall not be liable for any patent infringement arising from, or by reason of, any use or sale of any materials, Equipment or products not of WSI's manufacture or for the use or sale of any materials, Equipment or products or other goods specially made, in whole or in part, to Customer's design specifications.

2. **Return Policy:** Products purchased from WSI may be returned for credit provided the returned item is unused, in new condition, and considered by WSI to be a normally stocked item and WSI gives its written consent at such time as WSI's sole discretion. A minimum restocking fee of 20% of list price plus freight will be charged for inspection and testing on all products returned for credit. No products or other material will be accepted for credit after ninety (90) days from date of purchase.

3. **Cancellation or Changes:** There shall be no cancellations without WSI's written consent at WSI's sole discretion. Any cancellation at Customer's request may result in a cancellation charge equal to (a) if standard Equipment, 20% of, and (b) if nonstandard or special Equipment, 100% of, the full Contract price for Equipment billable by WSI to Customer, before any discount. Purchase orders once placed and accepted can be changed only with WSI's written consent. WSI reserves the right to make substitutions

or design and construction modifications to Equipment or Services provided these changes do not affect the performance of those Equipment or Services.

4. **Pricing:** (A) Prices for standard Equipment will be the sales price shown on WSI's current product sales price list (the "Price List"). Prices are subject to change at any time without notice. (B) Requests for quotations for nonstandard Equipment should be sent to the appropriate WSI office. Quoted prices are valid for 30 days after the date of the quotation. Unless otherwise noted on the quotation, validity of the quotation may be extended at the sole option of WSI. (C) Prices are EX WORKS WSI's point of manufacture or one of WSI's stocking points, depending on the location from which the Equipment is shipped. (D) Customer will arrange for shipment of Equipment, at Customer's risk, and pay for all crating, handling and shipping costs. If Customer requests WSI to arrange for shipment or does not furnish WSI with shipping instructions prior to the time Equipment is ready for shipment, WSI will ship Equipment to Customer in a commercially reasonable manner, at Customer's risk, and WSI may charge Customer at WSI's cost, plus 15% or as otherwise agreed to by the parties. (E) Prices are based on WSI's standard procedures and specifications for manufacturing and testing Equipment. Cost of additional labor, materials or outside service for modification of such procedures or specifications requested by Customer will be charged to Customer at WSI's total cost, plus 15%, including direct and indirect cost, such as engineering, labor, overhead and shop supplies. (F) Prices do not include the cost of personnel or equipment required to install the Equipment. Upon request, WSI may provide such personnel and Equipment at its prevailing rates at the time of installation.

5. **DISCLAIMER:** WSI will use reasonable efforts to have Equipment ready for shipment by the date agreed to by WSI, subject to receipt by WSI of all necessary Customer information, including approval of drawings. HOWEVER, WSI ASSUMES NO LIABILITY FOR DAMAGES INCURRED AS A RESULT OF ITS LATE DELIVERY OF EQUIPMENT, REGARDLESS OF CAUSE.

6. **Delivery, Title and Risk of Loss:** (A) Delivery, title and risk of loss will pass to Customer upon the date WSI notifies Customer the Equipment is ready for delivery to Customer or Customer's agent or carrier. EX WORKS WSI's Plant (i.e. location from which Equipment is shipped.) Customer shall be responsible for arranging shipping and for all shipping costs. (B) If WSI has not received shipping instructions at the time of delivery or if Customer requests that WSI store the Equipment until further instruction, WSI shall act as a bailee of such Equipment and may charge Customer WSI's customary storage rates. During any such bailment, Customer will maintain all-risk property insurance on Equipment, at its replacement value, and WSI will not be liable for deterioration of Equipment resulting from atmospheric conditions, acts of God, or other events not within WSI's reasonable control.

7. **CUSTOMER'S INDEMNITY OF WSI GROUP:** IF WSI MANUFACTURES OR MODIFIES EQUIPMENT IN ACCORDANCE WITH CUSTOMER'S PLANS OR SPECIFICATIONS, CUSTOMER WILL DEFEND, INDEMNIFY, RELEASE AND HOLD WSI GROUP HARMLESS FROM AND AGAINST ALL CLAIMS BY CUSTOMER, OR ANY OTHER PERSON OR ENTITY, AGAINST WSI GROUP OF EVERY KIND OR CHARACTER WHATSOEVER, INCLUDING BUT NOT LIMITED TO THOSE CLAIMS ARISING IN CONNECTION WITH BODILY INJURY, DEATH OR DAMAGE TO PROPERTY ARISING OUT OF, DIRECTLY OR INDIRECTLY, OR IN ANY MANNER CONNECTED WITH SUCH EQUIPMENT, INCLUDING ALL CLAIMS RESULTING, EITHER IN WHOLE OR IN PART, FROM WSI GROUP'S ALLEGED BREACH OR BREACH OF IMPLIED OR EXPRESSED WARRANTY (EXCEPT AS SPECIFICALLY PROVIDED HEREIN), OR OF THE DOCTRINE OF STRICT LIABILITY IN TORT OF WSI GROUP OR ANY OTHER PERSON OR LEGAL ENTITY FOR WHICH WSI GROUP IN LAW WOULD OTHERWISE BE HELD LIABLE, IRRESPECTIVE OF WHETHER WSI GROUP MAY BE ALLEGED OR PROVEN TO HAVE BEEN NEGLIGENT, (INCLUDING BUT NOT LIMITED TO ACTIVE, PASSIVE, SOLE, JOINT, CONCURRENT OR COMPARATIVE) OR OTHERWISE LEGALLY LIABLE (WITH OR WITHOUT FAULT OR WHETHER STRICTLY LIABLE OR IN BREACH OF ANY WARRANTY) ANY SUCH CLAIMS, WHETHER SUCH CLAIMS ARE BASED ON THEORIES OF CONTRACT LAW, TORT LAW, OR OTHERWISE, DIRECT OR INDIRECT, INCLUDING SPECIAL AND CONSEQUENTIAL DAMAGES FOR BODILY INJURY, DEATH OR PROPERTY DAMAGE OR DESTRUCTION OR ECONOMIC LOSS (INCLUDING, BUT NOT LIMITED TO SUBSURFACE PROPERTY OR PROPERTY RIGHTS), OR ON ACCOUNT OF INFRINGEMENT OF ANY PATENT, DESIGN, COPYRIGHT, OR TRADE NAME OR MARK.

8. **Design and Construction Modification:** WSI may modify the design and method of construction of any Equipment without notice and without incurring any obligation to furnish or install such modification on Equipment previously or subsequently sold.

9. **Compliance with Laws:** Compliance with safety and health laws and regulations relating to the use of any Equipment or products is the sole responsibility of Customer, WSI makes no representations with respect thereto.

10. **Quotations:** Unless otherwise agreed in writing by WSI, quotations furnished by WSI are not intended as and shall not be construed as constituting an offer to Customer, and any quotation of WSI is subject to, and shall not become binding upon WSI until (i) actual receipt by WSI of Customer's written order based on all the Terms and Conditions stated herein, without qualification, within 30 days after the date hereof, and (ii) WSI's written acceptance of such order.

11. **International Sales:** Unless otherwise specified in writing signed by WSI, Equipment sold from a WSI location in the USA for shipment to another country shall in addition to these Terms and Conditions, be governed by the following: (a) all prices and terms of sale are FCA (Incoterms 2000) WSI's factory from which shipment is made; (b) all orders hereunder are subject to WSI's ability to obtain export licenses and other necessary papers within a reasonable period; (c) Customer will furnish all Consular and Custom declarations and will accept and bear all responsibility for penalties resulting from errors or omissions thereon; (d) Customer shall not export or re-export the Equipment or any goods or items which incorporate the Equipment if the export or re-export would violate the export or import laws of the United States or any other applicable jurisdiction; (e) WSI reserves the right to require Customer to provide an irrevocable Letter of Credit with a bank in terms acceptable to WSI or an advance payment deposited into a WSI nominated account; and (e) the United Nations Convention for the International Sale of Goods shall not apply to this agreement.

The Global Wellhead Systems Authority™



Wellhead Systems Inc.
710 West McVey
Hill City, KS. 67642
Phone: 866-478-2537
Fax: 785-421-2256

www.wellheadsystems.com

