

WIPO



PCT/AAQ/VIII/2

ORIGINAL: English

DATE: August 5, 1977

WORLD INTELLECTUAL PROPERTY ORGANIZATION

GENEVA

PATENT COOPERATION TREATY

INTERIM ADVISORY COMMITTEE FOR ADMINISTRATIVE QUESTIONS

Eighth Session

Geneva, October 10 to 18, 1977

DRAFT GUIDELINES FOR PUBLICATION UNDER THE PATENT COOPERATION TREATY (PCT)

Revised Draft

prepared by the International Bureau

Background to this document

1. At its seventh session, held in Geneva from November 1 to 8, 1976, the Patent Cooperation Treaty (PCT) Interim Advisory Committee for Administrative Questions (hereinafter referred to as "the Interim Committee") considered a draft of the Guidelines for Publication under that Patent Cooperation Treaty (PCT) (hereinafter referred to as the "PCT Publication Guidelines") prepared by the International Bureau as contained in document PCT/AAQ/VII/4.

2. The Interim Committee, in its session referred to above, held only a general discussion on the subject covered in the PCT Publication Guidelines and decided to establish a PCT Working Group on Guidelines for Publication and for Drawings (hereinafter referred to as "the Working Group") "for the purpose of assisting in the establishing of the Guidelines for Publication and Guidelines for Drawings" (see document PCT/AAQ/VII/19, paragraph 138).

3. The above-mentioned Working Group held its first session in Geneva from February 21 to 25, 1977, and considered the said PCT Publication Guidelines and comments and corrigenda relating to the said draft (document PCT/WG/GPD/I/3), as well as a comparative analysis of printing techniques and corresponding costs prepared by the International Bureau at the request of the Interim Committee (see document PCT/AAQ/VII/19, paragraphs 141 to 150) and reproduced in document PCT/WG/GPD/I/2. The conclusions reached by the Working Group with respect to the subjects covered in the above-mentioned documents, as contained in the report of the first session of this Working Group (document PCT/WG/GPD/I/7), provided the necessary basis for preparing the present revised draft of the PCT Publications Guidelines.

4. It should be noted that, whereas the first draft of the PCT Publication Guidelines mainly had the nature of a study providing necessary elements for the decision of the Interim Committee, the revised draft mainly has the character of guidelines proposing principles for the publication under the PCT, as they were suggested by the Working Group, or as proposed by the International Bureau wherever it was given the mandate to do so. Nevertheless, some of the proposed principles are introduced by an analysis of various possible methods, this in order to reflect more clearly the background for the proposal made.

5. The Interim Committee is invited to examine the PCT Publication Guidelines and to make suggestions and observations in respect thereof.

[Revised draft of the PCT
Publication Guidelines follows]

DRAFT GUIDELINES ON PUBLICATION UNDER THE
PATENT COOPERATION TREATY (PCT)Table of Contents

	<u>Page</u>
PART I - INTRODUCTION	
Purpose of the Guidelines.....	7
Glossary of Terms Used.....	7
Identification of the Various Publications to be Issued by the International Bureau under the PCT.....	8
General Review of Existing Reproduction Systems.....	8
Reproduction in Paper Form.....	8
Micrography.....	9
Computer-Controlled Photocomposition.....	9
PART II - INTERNATIONAL PUBLICATION OF THE INTERNATIONAL APPLICATION	
PCT Provisions Governing the International Publication of the International Application.....	10
Form and Contents of the International Publication of the International Application.....	10
Time and Frequency of Publication.....	10
Numbering of Published International Applications.....	11
Sequence of the Elements and Numbering of the Pages of the Pamphlet	11
Technical Preparations for Publication.....	12
Reproduction of the Pamphlet.....	12
Assembling of Pages of the Pamphlet.....	13
THE STANDARDIZED FRONT PAGE OF THE PAMPHLET.....	13
Form and Contents of the Front Page.....	13
Bibliographic Data.....	13
Abstract.....	15
Special Procedure within the International Searching Authorities Concerning the Supply or Verification of Certain Elements of the Front Page.....	15
Language of the Front Page.....	16
Preparation of the Master Image of the Front Page for Offset Printing.....	16

	<u>Page</u>
THE DESCRIPTION AND CLAIMS.....	16
Publication of Amended Claims under Article 19 and Rule 48.2(f).....	17
Presentation of the Publication of Amended Claims.....	18
THE DRAWINGS.....	18
THE INTERNATIONAL SEARCH REPORT.....	18
Publication of the International Search Report with the International Application at the Time when Publication is Due.....	18
Publication of the International Application per se and Subsequent Republication of the Pamphlet or Separate Subsequent Publication of the International Search Report.....	19
Reproduction and Publication of the International Search Report.....	19
MICROFILMING.....	19
 PART III - THE GAZETTE	
PCT Provisions Governing the Publication of the Gazette.....	20
Reproduction of the Gazette.....	20
Time limit for Publication, and Frequency of Issue.....	20
Languages.....	20
Numbering of the Successive Issues of the Gazette.....	21
Numbering of the Pages of the Gazette.....	21
Number of Copies of Each Weekly Issue of the Gazette.....	21
Assembling of Pages.....	21
First Section of the Gazette: Entries Containing Data Specified by the Administrative Instructions Taken from the Front Page of the Pamphlet, Drawings (if any) and Abstract (Rule 86.1(i)).....	22
Contents.....	22
Organization of Contents.....	22
Layout and Presentation of the Entries.....	22
Preparation of the Master Image to be Reproduced by Offset Printing.....	22
Preparation of the master image of an entry when the language of the entry is the same as the language of the corresponding international application.....	23
Preparation of the master image of an entry when the language of the entry is different from the language of the corresponding published international application.....	23

	<u>Page</u>
Preparation of the master image of a page of the first Section of the gazette.....	23
Other Sections of the Gazette.....	24
Section II of the Gazette.....	24
Section III of the Gazette.....	25
Section IV of the Gazette.....	25
Part 1 of Section IV of the Gazette.....	26
Part 2 of Section IV of the Gazette.....	26
GENERAL ORGANIZATION OF THE GAZETTE.....	27
PART IV - CUMULATIVE INDEXES.....	28
PART V - ABSTRACT SERVICE AND INFORMATION BROCHURES	
Classified Abstract Service.....	28
Information Brochures.....	29

[List of Annexes follows]

LIST OF ANNEXES

- Annex A: Review of Existing Microforms
- Annex B: PCT Provisions governing the International Publication of the International Application
- Annex C: PCT Provisions governing the Publication of the Gazette
- Annex D: Sample Front Page of the Pamphlet
- Annex E: Sample Published International Application, in English
- Annex F: Sample Published International Application, in German
- Annex G: Sample Weekly Issue of the Gazette
- Annex H: Sample Annual Issue of the Cumulative Indexes.

DRAFT GUIDELINES ON PUBLICATION UNDER THE
PATENT COOPERATION TREATY (PCT)

PART I - INTRODUCTION

Purpose of the Guidelines

1. The purpose of these Guidelines is to establish the form, content and layout of publications to be issued by the International Bureau under the PCT, as well as to indicate the methods and procedures to be adopted for the preparation and production of such publications.
2. The Guidelines have been prepared in order to ensure that, as far as possible, publications under the PCT are of optimum usefulness both as regards their information content and their quality, taking due account of considerations of economy and expeditious execution of the tasks of the International Bureau, particularly having regard to the time limits imposed by the PCT.
3. The publication methods provided for in these Guidelines have been selected from the available techniques in order to facilitate the execution of the tasks of the International Bureau without undue complication or cost.

Glossary of Terms Used

4. The meanings of certain terms used in these Guidelines are set out in paragraphs 5 to 17 below.
5. Publication* refers to the making available to the public of multiple copies of a document produced by printing or a like process. The term "printing or like process" covers not only conventional printing processes, but also micrography and all other processes whereby a document may be reproduced in multiple copies.
6. International publication means publication, by the International Bureau, of the international application, in accordance with Article 21.**
7. Pamphlet refers to the international application published by the International Bureau in the form of a pamphlet in accordance with Rule 48.1(a).**
8. Front page of the pamphlet means the first page of the pamphlet, which includes certain data taken from the request, a figure or figures when the international application contains drawings, and the abstract.
9. Gazette means the publication of the International Bureau containing data specified by the Administrative Instructions in relation to published international applications, as well as other useful information in accordance with Rule 86 and Section 407(c).**
10. Indexes means the synoptic tables allowing easy access to the bibliographic data and the information contained in the Gazette.
11. Bibliographic data means elements of information identifying a patent document and not necessarily relating to the content of the document (e.g., filing date, publication number, name of applicant, etc.). Notwithstanding the fact that the "title of the invention" is strictly text material, it will be considered "data" for the purposes of these Guidelines.
12. Text means the matter contained in a patent document which comprises its content (e.g., the abstract, description, claims, etc.).
13. Drawings and Figures means any form of graphical representation the reproduction of which calls for recourse to duplicating techniques other than typesetting (see the Guidelines for the Presentation and Execution of Drawings under the PCT, document PCT/AAQ/VIII/19).
14. Reproduction system means a method for producing multiple copies of an original document, or master image. The expression "reproduction system" is intended to cover only the production of multiple copies of a given master image, whatever method is used for preparing the master image.

* The term "publication" is also used herein to designate a document so published.

** Throughout this document "Article" refers to Articles of the Treaty, "Rule" refers to Rules of the Regulations and "Section" refers to Sections of the Administrative Instructions under the Patent Cooperation Treaty (PCT).

15. Photocomposition or phototypesetting means a process of text composition whereby the text of a document is optically set to produce a desired layout and presentation
16. Computer-controlled photocomposition means a photocomposition process whereby the text of a document is transferred onto a machine-readable carrier (punched or magnetic tape) and reproduced by a photocomposer controlled by a computer.
17. Micrography covers reproduction methods whereby the text of a document is reproduced, on a reduced scale, on microfilm or microfiches, either by direct microfilming of the original document, or by computer-controlled photocomposition of the text to be reproduced on microfiches (Computer Output Microfiches (COM)).

Identification of the Various Publications to be Issued
by the International Bureau under the PCT

18. Pamphlet and Gazette. According to Articles 21 and 55(4), the International Bureau shall publish international applications in the form of pamphlets, as well as a Gazette. The international application shall be published in the form specified in Rule 48, while the particulars concerning publication of the Gazette are set forth in Rule 86 (see Annexes B and C).
19. Weekly and cumulative indexes. Rule 86.1(v) and Section 407(c) provide for four indexes to be published in each weekly issue of the Gazette. In addition to these weekly indexes, two cumulative indexes will be published, separately from the weekly issues of the Gazette. These cumulative indexes will consist of listings of the bibliographic data contained in two of the weekly indexes, but accumulated over a certain period (3, 6 or 12 months) (see paragraphs 140 to 148).
20. Abstract service and information brochures. Further publications containing useful information including a classified abstract service as well as brochures describing various aspects of the practice under the PCT should be envisaged.

General Review of Existing Reproduction Systems

21. The purpose of paragraphs 22 to 38 is to analyze the various existing reproduction systems, with their main characteristics, in the light of the requirements of the PCT with respect to publication and to suggest the system suitable for PCT publications at this stage. These reproduction systems have been arranged, for this purpose, into two broad groups, namely, reproduction in paper form and micrography. The analysis also deals with computer-controlled photocomposition and the various aspects of this sophisticated technique in the context of the publication under the PCT.

Reproduction in Paper Form

22. The various systems for reproduction in paper form fall into two main categories. These categories may be differentiated by the number of copies to be prepared from one document, i.e., the category which requires an intermediate matrix to be made up and the other category which does not require such intermediate matrix. These two categories are more fully explained below.
23. Reproduction processes which do not require an intermediate matrix. Methods not requiring an intermediate matrix to be made up are suitable if the number of prints required is small (less than 50 copies). Although it seems that this situation is hardly likely to arise where PCT publications are concerned, it is a possibility which should not be rejected out of hand in case international publications are required in small numbers for specific purposes.
24. The various processes, i.e., contact photocopying, thermocopying, diazocopying, electrocopying and optical photocopying, provide copies of a satisfactory quality.
25. Reproduction processes requiring an intermediate matrix. Methods requiring an intermediate matrix to be made up are essentially suitable for the reproduction of a large number of copies to be produced from a given original document. In such methods, the matrix can sometimes be obtained from the original document, if its quality lends itself to this; in other cases, it has to be recomposed beforehand. These techniques are suitable when the number of prints required is significant (more than 50).

26. The cost of these various techniques, i.e., hectography, stencilling (electronic or otherwise), typography and offset, is directly proportional to the quality obtained. At any rate, it would seem that the first two aforementioned techniques, which produce only a mediocre quality, should be rejected.

27. Typography (e.g., hot metal printing) is only mentioned for the record. In view of the expense involved, it is used for high-quality printing or for running off several thousand copies, and so does not appear suitable for international publications at this time.

28. As a result of the foregoing considerations, only offset printing has been considered hereinafter for reproduction processes of international publications in paper form.

Micrography

29. Although micrography is not likely to be used for international publication and is considered somewhat beyond the scope of these **Guidelines**, at least in the first stage of implementation of publication under the PCT, consideration has been given to such a reproduction method essentially for archival purposes, since this method offers economical solutions to the problems of the rising cost and proliferation of paper, and to the storage and transportation of documents. The various microforms which could be used for these purposes are considered in detail in Annex A.

Computer-Controlled Photocomposition

30. Although computer-controlled photocomposition is not, strictly speaking, a reproduction system, but rather a system whereby the text of a document is composed on a master image which is later reproduced in several copies (e.g., by offset printing), it is considered advisable to mention this system in the framework of this general review.

31. According to this system, the information to be printed is entered by key-boarding on a punched or magnetic tape, and then is processed by a photocomposer controlled by a computer. The photocomposer produces a bromide print for proof-reading.

32. After proofreading, only the corrected parts are retyped so as to produce a corrector tape; this is then combined with the original tape, to produce a final tape which can be used by the photocomposition apparatus to obtain a film. This film, once it has been mounted, can be used to produce the offset matrix.

33. The variety of types of font that can be used and the quality are such that the finished product approximates very closely to typography print. By a judicious choice of the systems of characters and the arrangement of columns, the number of pages of text can be substantially reduced. There is no change, of course, in the amount of space taken up by illustrations.

34. Other advantages of computer-controlled photocomposition are as follows:

- automatic data entry (continuous typing);
- automatic process for corrections by tape mixing (punched or magnetic tape);
- programming of layout by calibration of the line spacing, leaving room for illustrations;
- the possibility of obtaining a number of different typographical formats for one and the same piece of information;
- handling is simplified (the film is easy to manipulate);
- the data carrier (punched or magnetic tape) can also be used to produce indexes, cumulative indexes, etc.

35. However, computer-controlled photocomposition does have some disadvantages:

- if there is only one machine and it breaks down, a similar system must be used in replacement of the defective equipment;
- a sound technical infrastructure will be required for preparing the computer programs and putting them into operation, and for preparing and controlling the operations involved in the composition.

36. It should also be mentioned that there is another method of data compilation where photocomposition is based on optical reading of the documents filed by applicants.

37. This system might be more economical than any of the others, but also the most difficult to put into use, for it requires:

- a systematic survey of the market to ascertain that technical progress will be such as to allow the reading of accented letters and special signs;
- standardized procedures for drawing up an applicant's document (use of special kinds of paper and standardized and perfectly adjusted keyboards to produce an impeccable graphic quality);
- strict conditions governing the layout of optically read documents, which should not be soiled, crumpled or dog-eared.

38. In view of the small numbers of international applications to be expected, computer-controlled photocomposition is not envisaged at the initial stage of operations under the PCT.

PART II - INTERNATIONAL PUBLICATION OF THE INTERNATIONAL APPLICATION

PCT Provisions Governing the International Publication of the International Application

39. The international publication of the international application is governed by the following provisions of the Treaty, the Regulations and the Administrative Instructions (see Annex B):

- Articles 21 and 64(3), which provide, respectively, for the publication of international applications by the International Bureau, and reservations by Contracting States with respect to such publication;
- Rule 48 (International Publication);
- Sections 404 and 406.

Other provisions having a bearing on specific aspects of the publication are mentioned in relation to specific items.

Form and Contents of the International Publication of the International Application

40. Rule 48.1 specifies that the international application shall be published in the form of a pamphlet. The pamphlet will be published in A4 size in accordance with Section 406(b).

41. The contents of the pamphlet, as specified in Rule 48.2, are the following:

- (i) a standardized front page;
- (ii) the description;
- (iii) the claims and the amended claims, if any;
- (iv) the drawings, if any;
- (v) the international search report, if available at the time of publication, or the declaration under Article 17(2)(a);
- (vi) any statement filed under Article 19(1), unless the statement does not comply with Rule 46.4.

Time and Frequency of Publication

42. In accordance with Article 21, the international publication of the international application is required to be effected promptly after the expiration of 18 months from the priority date of the application or in accordance with a request from the applicant to the International Bureau for earlier publication of his international application. Since the latter case is an exceptional situation, these Guidelines only deal with publication after 18 months.

43. The pamphlets publishing international applications will be issued on a given day of each week in accordance with Section 406(a) (as to coordination of the timing between publication of the pamphlet and the Gazette, see paragraph 96).

Numbering of Published International Applications

44. The numbering of published international applications is provided for in Section 404 as follows:

"The International Bureau shall assign to each published international application an international publication number which shall be different from the international application number. The international publication number shall be used on the pamphlet and in the Gazette entry. It shall consist of the two-letter code "WO" followed by a two-digit designation of the last two numbers of the year of publication, a slant, and a serial number consisting of five digits (e.g., "WO78/12375")."

45. It is thought that a five-digit serial number, which would permit the international publication of up to 100,000 international applications per year, would be amply sufficient.

46. It is to be noted that the Technical Committee for Standardization of ICIREPAT is presently carrying out a study concerning the numbering of patent applications and patent documents with a view to establishing recommendations. These recommendations will be taken into consideration when available.

Sequence of the Elements and Numbering of the Pages of the Pamphlet

47. The sequence of the elements of the pamphlet will be as set out in Rule 48.2(a) (i) to (v).

48. Section 207, which deals with the arrangement of elements and numbering of sheets of the international application, provides:

"(a) In effecting the sequential numbering of the sheets of the international application in accordance with Rule 11.7, the elements of the international application shall be placed in the following order: the request, the description, the claims, the abstract, the drawings.

"(b) The sequential numbering of the sheets shall be effected by using three separate series of numbering, the first series applying to the request only and commencing with the first sheet of the request, the second series commencing with the first sheet of the description and continuing through the claims until the last sheet of the abstract, and the third series being applicable to the sheets of the drawings only and commencing with the first sheet of the drawings."

Section 410, which provides for the numbering of sheets of the international application for the purposes of international publication, prescribes:

"In the course of preparing the international application for international publication, the International Bureau shall sequentially renumber the sheets of the international application only when necessitated by the addition of any new sheet, the deletion of entire sheets or a change in the order of the sheets. Otherwise, the numbering provided under Section 207 shall be maintained."

49. The front page of the pamphlet will be excluded from the sequential numbering of the pages of the pamphlet, so that no renumbering of the sheets of the international application by the International Bureau will be necessary, except when required by the addition or deletion of sheets or a change in the order of the sheets. Additional elements of the pamphlet, not forming part of the international application itself, such as the international search report, will be placed after the last page of the international application and their pages numbered in a separate series. Whenever the international application is published in a language other than English and the international search report or the declaration referred to in

Article 17(2)(a) is thus published in that language and in English, the translation into English of the said international search report or declaration will follow immediately after the report or the declaration. The pages of the said translation will be numbered in the same series as the document drawn up in the original language.

Technical Preparations for Publication

50. The technical preparations for publication of the international application include all tasks necessary for producing a camera-ready copy of the elements of the pamphlet for offset reproduction. The technical preparations will not, however, include the production of a camera-ready copy of the front page if this element is prepared by photocomposition.

51. In order to ensure a prompt publication of the pamphlet after the expiration of the period of 18 months laid down in Article 21(2)(a), the technical preparations for publication will be terminated two weeks before the end of that period of 18 months. The public will be given notice of this time limit in the Gazette.

Reproduction of the Pamphlet

52. The problem of selection of a reproduction system for international publication is directly related to considerations such as quality versus cost and the total volume of reproduction (i.e. number of copies to be produced from the same master image).

53. With respect to the quality level for reproduction of the pamphlet, the "Draft Guidelines on Physical Characteristics of Patent Documents Particularly Relevant to Reproducibility and Legibility of Such Documents" adopted by the Technical Committee for Standardization of ICIREPAT will be taken into account.

54. It is clear that the selection of a given reproduction process for the pamphlet should be made on the basis of the number of copies to be reproduced for each pamphlet. This number is estimated to be at least 150 copies per pamphlet. This estimation has been made on the basis of information with respect to the number of copies of each patent document presently printed by the Patent Offices of the following countries, excluding the patent documents of Japan, since these documents are published in bound volumes:

Austria	100
Denmark	90
Finland	100
France	100
Germany (Federal Republic of)	100
Hungary	100
Japan	900
Norway	100
Romania	8
Sweden	75
Switzerland	100
United Kingdom	120
United States of America	140

55. Considering the estimated number of 150 copies per pamphlet, it seems that the reproduction processes not requiring an intermediate matrix (see paragraphs 23 and 24), and which are suitable only if the number of prints required is small (less than 50 copies), can be ruled out for the purposes of the international publication of the international application.

56. Consequently, it is concluded that the only reproduction process appropriate for the international publication of the international application is offset printing (recto-verso) (see also Section 406(b)). Accordingly, only preparation of the master image to be duplicated by offset printing has hereinafter been considered separately for each of the different components of the pamphlet.

57. The reproduction of the pamphlet will be carried out by an outside printer by offset lithography in black on litho printing paper. The printer will be required to use paper which is white, free from ground wood pulp, matt-surfaced, not excessively absorbent, substance 70 g/m² to 75 g/m², ISO brightness 76 ± 3%, free from added fluorescent brightening agents, ISO opacity 92 ± 3%, pH: not less than 5.0.

Assembling of Pages of the Pamphlet

58. In view of the obvious cost savings, it is suggested that the pamphlet pages be fastened together by saddle-stitching (with two non-rusting wire staples).

THE STANDARDIZED FRONT PAGE OF THE PAMPHLET

Form and Contents of the Front Page

59. Rule 48.2(b) provides that the front page shall include:

- "(i) data taken from the request sheet and such other data as are prescribed by the Administrative Instructions;
- (ii) a figure or figures where the international application contains drawings;
- (iii) the abstract; if the abstract is both in English and in another language, the English text shall appear first."

Bibliographic Data

60. With respect to the bibliographic data printed on the front page of the pamphlet, it is suggested that the following data should appear:

(i) Data taken from the request sheet which pertain to the minimum bibliographic data to be provided on the first page of a patent document, according to ICIREPAT Standard ST.9 "Recommendation concerning Bibliographic Data (Identification by INID Codes and Minimum Required) on the First Page of a Patent Document and in Entries in Official Gazette", namely:

- (11) international publication number*

* A letter code identifying the kind of document to which the pamphlet relates will appear in the upper frame of the front page near the entry identifying the international publication number. Such a letter code (which will be associated with a single digit amplifying the information represented by the letter code) will be used in accordance with ICIREPAT Standard SI.8: "Standard Code for Identification of Different Kinds of Patent Documents." The pamphlet, being of the nature of a patent document numbered in a primary series and issued on the first publication level, will carry the letter code "A." However, it will be necessary to make provision for the situation where the international search report is published subsequent to the publication of the international application. For this purpose, the following codes are established:

- A1 - publication of the international application with the international search report
- A2 - publication of the international application without the international search report
- A3 - subsequent publication of the international search report together with a revised version of the front page of the pamphlet.

- (19) designation of the International Bureau as the Authority in charge of publishing the international application under the PCT, by means of the two-letter code "WO," as adopted by the Plenary Committee of ICIREPAT
 - (21) international application number
 - (22) international filing date
 - (31) priority application number(s)
 - (32) priority date(s)
 - (33) country (countries) in which priority application(s) was (were) filed
 - (43) date of the international publication
 - (51) International Patent Classification
 - (54) title of the invention
 - (60) parent application(s) or grant(s)
 - (61) related by addition
 - (63) related by continuation
 - (71) name(s) of applicant(s).
- (ii) Other data prescribed by the Administrative Instructions (Section 406(c) and Annex D of the Administrative Instructions), namely:
- (72) name(s) of inventor(s)
 - (74) agent or common representative
 - (*) designated States.
- (iii) An indication of whether the following items are published in the pamphlet:
- international search report**
 - declaration under Article 17(2)(a)
 - amended claims**
 - statement under Article 19(1)
 - the essence of the comments by the applicant with respect to the translation of the international application in accordance with Rule 48.3(b).***
- (iv) When applicable, a statement indicating that the time limit for amending the claims under Article 19 has not expired and that, should the claims be amended under Article 19, then, promptly after such amendments, the claims as amended or a statement reflecting all the amendments will be published.
- (v) An indication of elected States will be included in the bibliographic data on the front page of the pamphlet, provided that at the time the preparations for the publication of the international application have been completed, the demand has already been made.*

* The items "designated States" and "elected States" are not yet identified by INID numbers in ICIREPAT Standard ST.9. However, an extension of this Standard to include INID numbers for data specific to the PCT is in the course of preparation by the ICIREPAT Technical Committee for Standardization. It is expected that the INID numbers identifying the two items mentioned above will pertain to the 80 series.

** Whenever the front page is republished for the purposes of subsequent publication of the international search report and/or of the amended claims, it is suggested to print in parentheses, after the relevant indication, the actual date of this subsequent publication.

*** It is recommended that the Interim Committee invite the competent body of ICIREPAT to consider the establishment of a specific INID number to identify the date entry indicating whether the items listed in paragraph 60(iii) above are contained in the pamphlet.

Abstract

61. The publication of the abstract is governed by Rules 48.2(b)(iii), (c) and (e) and 48.3(c). Rule 48.2(b)(iii) and (c) provides that the front page shall include the abstract, unless, instead of a search report, a declaration under Article 17(2)(a) has issued. If the abstract is both in English and in another language, the English text shall appear first. Such publication in two languages results from Rule 48.3(c) which provides that, if the international application is published in a language other than English, the abstract shall be published both in that language and in English.

62. Rule 48.2(e) provides that, if there is not enough room on the front page for the totality of the abstract, the abstract shall appear on the back of the front page.

63. When the abstract, whether in one or two languages, cannot be printed solely on the front page of the pamphlet, it will continue on the bottom part of the reverse side of the front page. This would allow the full use of the space available on the front page and would be consistent with the "Draft Guidelines on the Layout and Presentation of the Composed First Page of Patent Documents" adopted by the Plenary Committee of ICIREPAT at its September 1976 session. A flexible layout of the lower frame of the front page (which contains the abstract, and the drawing(s) accompanying the abstract) will be adopted in order to accommodate drawings elongated in one direction, e.g. drawings elongated in the vertical position should be presented on the left or right side of the abstract. Whenever the abstract appears in two languages, this principle will apply to the English version of the abstract, which appears first.

64. An indication will be given after the entry entitled "(57) Abstract" and in parentheses whether the abstract appearing on the front page is the abstract as originally filed by the applicant or as established by the International Searching Authority.

65. Where a declaration under Article 17(2)(a) has issued, and the applicant has not provided an abstract, no abstract will appear on the front page.

Special Procedure within the International Searching Authorities Concerning the Supply or Verification of Certain Elements of the Front Page

66. Certain elements of the front page, which are provided or verified by the International Searching Authority, namely, the classification of the subject matter of the international application according to the International Patent Classification, the title, the abstract and the figure selected to accompany the abstract, and which are normally available to the International Bureau upon transmittal of the international search report by the International Searching Authority, may not be available to the International Bureau in accordance with the normal procedure prior to completion of the technical preparations for publication due to non-receipt of the international search report. In order that the front page of the pamphlet publishing the international application should contain such elements, the following procedure has been provided in the framework of the "Guidelines for International Search to be Carried Out under the Patent Cooperation Treaty":

"CHAPTER IV

SEARCH PROCEDURE AND STRATEGY

1. Procedure prior to searching

1.6 If publication of the international application is due before international search, the search examiner will have to establish the classification of the application much earlier than he carries out the search (see Chapter V, paragraph 2); he will then at the same time briefly examine the abstract (together with the title and selected figure) for the purpose of publication. This examination of the abstract will not go beyond ensuring that it relates to the application concerned and that no conflict exists with the title of the invention or with the classification of the application. If at that time no abstract, title or figure selection has been provided by the applicant, the search examiner will have to do so."

Language of the Front Page

67. It is provided in Rule 48.3 that an international application filed in English, French, German, Japanese or Russian shall be published in the language in which it was filed. Where the international application is published in a language other than English, the international search report, or a declaration under Article 17(2)(a), and the abstract are required to be published both in the original language and in English. If the international application is filed in a language other than English, French, German, Japanese or Russian, the application is required to be published in English translation. It is clear that these provisions apply to the front page of the pamphlet.

Preparation of the Master Image of the Front Page for Offset Printing

68. The International Bureau will prepare a master image in the form of a camera-ready copy for subsequent reduction and offset reproduction by an outside printer. This camera-ready copy will be prepared by typing on a model front page comprising preprinted entries (A3 size), the bibliographic data and other indications as listed in paragraph 60 above, and the abstract (including the indication of whether the abstract is originally filed by the applicant or as established by the International Searching Authority). A montage of any drawing (and/or mathematical or chemical formulae) will also be necessary.

69. In order to ensure an optimum information content/space ratio of the front page, use will be made of a set of different model front pages containing variations in preprinted entries and designed to meet the various situations that might occur (non-existing bibliographic data, variable length of the bibliographic information). Two front pages having the same basic layout and presentation but comprising variations in preprinted entries and different volumes of bibliographic information are illustrated in Annexes D and E.

70. If, in exceptional cases, the reproduction of the whole of certain bibliographic information (e.g., numerous applicants) on the front side of the front page would lead to the elimination, on that front side, of the drawing and the abstract, part of that bibliographic information will appear on the reverse side of the front page and the items of bibliographic information continued on the reverse side will be signalled by an asterisk on the front side of the front page. However, this practice will be avoided as far as possible, in view of its undesirable consequences on the information value of the front page.

71. If, however, in exceptional cases, none of the existing model front pages is appropriate for the inclusion of the particulars which have to be entered, the camera-ready copy of the front page will be prepared by complete manual typing (including the entries). A montage of any drawing (and/or mathematical or chemical formulae) will also be necessary.

72. The practicability and economic viability of the preparation of the master image of the front page by computer-controlled photocomposition by an outside printer, when the international application is to be published in a language using the latin alphabet (i.e., English, French or German) will be studied at a later date. Such a study will take into account the possibility of using the machine-readable data carrier produced for the photocomposition of the front page (which would include the bibliographic data appearing on that front page and the abstract) for generating the Gazette entries as well as the indexes (and possibly also classified abstracts), and will indicate whether the additional cost incurred in producing the front page by photocomposition can be offset by savings derived from the automatic production of Gazette entries and indexes.

THE DESCRIPTION AND CLAIMS

73. The camera-ready copy of the description and claims will be supplied by the International Bureau to the printer for subsequent offset reproduction. This camera-ready copy will be prepared by using the original document drawn up by the

applicant (the record copy)*. In preparing such camera-ready copy, the International Bureau will keep the original sequential numbering of the sheets of the international application, unless a renumbering is necessitated by the addition of any new sheet, the deletion of entire sheets or a change in the order of the sheets. The International Bureau will also insert in the top left-hand corner of each sheet the international publication number assigned to the published international application, or give to the printer the necessary instructions to print this number on all sheets of the description and claims.

74. In the case of an international application filed in a language other than one of those mentioned in Rule 48.3(a), the English translation prepared under the responsibility of the competent International Searching Authority will, if possible, be used as the camera-ready copy for offset printing, so long as the document complies with the physical requirements specified in Rule 11 and subject to the proper numbering of the pages and to the insertion of the international publication number on each page. If the English translation of the international application as prepared by the competent International Searching Authority does not comply with the physical requirements specified in Rule 11, the English text of the description and claims will have to be retyped within the International Bureau. In order to ensure a standard presentation of the published international application, the International Bureau will insert on each page of the English text of the description and claims (or give to the printer the necessary instructions to do so) the following indications:

- the international publication number on the upper left hand corner
- the international application number on the upper right hand corner
- the stamp of the International Bureau on the lower right hand corner.

Publication of Amended Claims under Article 19 and Rule 48.2(f)

75. Article 19(1) provides that, after receiving the international search report, the applicant is entitled to an opportunity to amend the claims of the international application. He may also, at the same time, file a brief statement indicating any impact that such amendment may have on the description and drawings.

76. Publication of the amended claims with the international application at the time when publication is due can be effected only if the amended claims are available to the International Bureau a certain time before the date of publication of the international application, so that the necessary technical preparations for publication can be carried out under satisfactory conditions. If at the time when technical preparations of the pamphlet are completed the time limit for amending the claims has not expired, the pamphlet will refer to that fact, and the amended claims, if any, or the amendments and any statement filed by the applicant in respect of his amendments will be published subsequently.

77. In the case where amendments to the claims are filed after the termination of the technical preparations for publication of the pamphlet, it will be necessary to republish the front page of the pamphlet and the claims as amended, as well as to publish any statement by the applicant in respect of the amendments. Having regard to the cost of successive publications, such publications will be avoided whenever possible. In this connection, separate publication of the amended claims will, in general, only be effected along with republication of the front page of the pamphlet including the bibliographic data of the international application. Except where the international application is very short, the republication of the entire pamphlet would be too costly and unnecessary.

* In time before international publication actually commences, a proposal for amendment of Rule 11.6(a) and (b) should be considered to the effect that in both paragraphs the third line and the words "of other sheets" in the fourth line would be deleted. This would permit the reduction of the extra-wide margin appearing on the top of the first page of the description (see in this respect page 1 of the sample published international application reproduced in Annex E).

Presentation of the Publication of Amended Claims

78. Rule 48.2(f) provides that, if claims have been amended under Article 19(1), the publication shall contain the full text of the claims as filed and as amended or the full text of the claims as filed with the amendments specified. Accordingly, the claims as amended or the amendments specified will follow the original claims of the international application.

79. The International Bureau will exercise the option offered by Rule 48.2(f) to publish either the full text of the claims both as filed and as amended or the full text of the claims as filed with the amendments specified. In exercising this option, the International Bureau will, in most cases, follow the presentation chosen by the applicant. However, in exceptional situations, the International Bureau may deviate from the presentation chosen by the applicant if such deviation is justified by reasons of economy and easier comprehension.

80. Whatever form of presentation is utilized, the corresponding additional sheets containing the amended claims or the amendments as specified will bear the following indications (to be inserted by the International Bureau or the printer):

- the date of receipt of the amended claims by the International Bureau
- the international publication number in the upper left-hand corner
- the international application number in the upper right-hand corner
- the stamp of the International Bureau in the lower right-hand corner.

THE DRAWINGS

81. The drawings will be reproduced by offset printing, recto, i.e., right-hand pages only. They will be reproduced without reduction in size, except in the case of the figure(s) reproduced on the front page. Even in the case of the reduction of such figures, regard will always be had to the ultimate legibility of the figures reproduced later in the Gazette.

82. The use of blue lines, even sufficiently dense and dark, will be avoided in the drawings*.

THE INTERNATIONAL SEARCH REPORT

83. Article 21 specifies that the international publication of the international application shall be effected promptly after the expiration of 18 months from the priority date of that application, and that the international search report or the declaration under Article 17(2)(a) shall be published as prescribed in the Regulations. Rule 48.2 prescribes that the international search report, or the declaration under Article 17(2)(a), shall be included in the pamphlet or, if not available at the time when publication is due, be published later. The two possible situations resulting from the above-mentioned provisions of the PCT, namely publication of the international search report with the international application at the time when publication is due or later publication of the international search report, are dealt with separately below.

Publication of the International Search Report with the International Application at the Time when Publication is Due

84. Publication of the international search report with the international application at the time when publication is due can be effected only if the international search report is available to the International Bureau a certain time before the date of publication of the international application, so that the necessary technical preparations for publication can be carried out under satisfactory conditions. Among such preparations should be cited not only the processing of the international

* It is recommended to the Interim Committee that it make a proposal for the amendment of Rule 11.13 in order to remove the possibility of drawings with blue lines.

search report itself, including its translation into English when the international application is published in a language other than English, but also the use and processing of various information items contained in the international search report for preparing the front page (e.g., symbol(s) of the International Patent Classification, the title, final version of the abstract established by the International Searching Authority and the translation thereof, if applicable).

85. For the above-mentioned reasons, it is considered that the international search report, or the declaration under Article 17(2)(a), should reach the International Bureau at least two weeks before the expiration of 18 months from the priority date of the application. If the international search report is received by the International Bureau after the suggested deadline, the said search report should be considered as not available at the time when publication is due.

Publication of the International Application per se and Subsequent Republication of the Pamphlet or Separate Subsequent Publication of the International Search Report

86. Rule 48.2(g) provides that, when the international search report is not yet available at the time when publication is due, the pamphlet will either be republished with the international search report or a separate publication of the international search report will take place.

87. In this connection, it is envisaged that separate publication of the international search report only be effected along with republication of the front page of the pamphlet (revised accordingly) including the bibliographic data of the international application. Apart from exceptional cases (where the international application is very short), republication of the entire pamphlet would appear to be an unnecessary and expensive arrangement, and is not further considered below.

88. The revised front page and published international search report could readily be combined with the previously published pamphlet (minus the search report) for distribution and sale purposes.

89. The republication procedure must be initiated as soon as the international search report is available so that there is a minimum time lapse between successive publications.

Reproduction and Publication of the International Search Report

90. The international search report will be reproduced by offset printing, recto-verso (see Section 406(b)) using as a master image the international search report form completed by the International Searching Authority, and will be located after the last sheet of drawings, with its first page commencing on a right-hand page. However, whenever the international search report has been established in a language other than English, an English translation thereof, prepared and typed by the International Bureau in a standardized format, will be located after the original version of the international search report.

91. If the international search report form completed by the International Searching Authority comprises, or is accompanied by, the abstract as established by that Authority, the part of the international search report containing the abstract or the abstract accompanying the form will not be published as a part of the international search report.

MICROFILMING

92. The possibility will be considered of microfilming the pamphlet either on 16 mm or on 35 mm roll films or on 8-up aperture cards, or even on multiframe microfiches, for the purpose of keeping complete files of the pamphlets for archival purposes and for distribution. After the entry into force of the PCT, experience would show whether this solution is advantageous for international publications.

PART III - THE GAZETTE

PCT Provisions Governing the Publication of the Gazette

93. The publication of the Gazette is governed by the following provisions of the Treaty, the Regulations and the Administrative Instructions, which are reproduced in Annex C:

- Article 55(4) (publication of the Gazette by the International Bureau)
- Rule 86 (the Gazette)
- Section 407.

Reproduction of the Gazette

94. The Gazette will be printed by offset in A4 size, recto-verso, in accordance with Section 407(a). Since it has been concluded that the pamphlet should be printed by offset, there would be obvious advantages, including those of uniformity in the publications issued by the International Bureau and cost savings, in the use of the same method (and equipment) for the printing of the Gazette.

95. The reproduction of the Gazette will be carried out by an outside printer by offset lithography in black on litho printing paper. The printer will be required to use paper which is white, free from ground wood pulp, matt-surfaced, not excessively absorbent, substance 70 g/m² to 75 g/m², ISO brightness 76 ± 3%, free from added fluorescent brightening agents, ISO opacity 92 ± 3%, pH: not less than 5.0. Material for the cover will be required to be a colored manilla of approximately 180 g/m².

Time Limit for Publication, and Frequency of Issue

96. Rule 86.3 provides that the Gazette shall be published once a week but is silent on the possibility of any time lag between the publication of the pamphlet and that of the Gazette. It is considered that publication of each issue of the Gazette should take place on the same day as the publication of each pamphlet whose first publication or (partial or whole) republication is announced in that issue.

97. Upon the assumption that the Assembly of the PCT Union approves the recommendation of the Interim Committee that the period after entry into force of the Treaty from the expiration of which international applications may be filed should be six months (see Article 65(2)), the Gazette published during that period will contain only general notices and information not relating to given published international applications (see paragraphs 135 to 138). For this reason, during this period of six months following the entry into force of the Treaty, the Gazette will be published once a month.

Languages

98. Rule 86.2 stipulates that the Gazette shall be published in an English-language edition and a French-language edition, and that it shall also be published in editions in any other language, provided the cost of publication is assured through sales or subventions.

99. Since no information is available at present as to whether publication of the Gazette in languages other than English and French would be possible under the above-mentioned conditions, these Guidelines will be restricted to the publication of the Gazette in English and French only.

100. Each weekly issue of the Gazette could be published either in the form of a bilingual volume or as separate English and French editions.

101. The publication of a bilingual edition of the Gazette would result in information being duplicated in two languages in a single document. However, the users' needs would generally be directly related to information in only the English or the French language. Two separate editions (English and French) would avoid users being required to purchase duplicative material on a systematic basis, and the amount of paper used would be substantially less. Accordingly, publication of the Gazette in two separate editions is considered here as constituting a better solution.

Numbering of the Successive Issues of the Gazette

102. No provision has been made either in the Regulations under the PCT or in the Administrative Instructions with respect to the numbering of Gazettes. Different kinds of numbering systems, in addition to the date of publication, could be used for identifying the successive issues of the Gazette, assuming that the two different versions of the same weekly issue, that is the English and the French versions, would be assigned the same number. The various possible numbering systems can be grouped in the two following categories:

- (i) systems using yearly numbering series;
- (ii) systems using continuous numbering series.

103. According to a yearly numbering series system, weekly issues of the Gazette would be assigned a serial number starting from number 1 each year, the number of the issue being constituted by the said serial number and by the year of publication (last two digits). For example, the third issue of the Gazette published in 1978 would be identified as No. 03/78.

104. According to a continuous numbering series system, a serial number would be assigned to each weekly issue of the Gazette, in ascending order, irrespective of the year of publication. This system implies that the number of digits of the serial number increases as the number of issues grows and might result in large numbers, whereas a yearly numbering system uses numbers with a fixed length.

105. A yearly numbering system will be used in order to facilitate the selection of particular issues of the Gazette from a collection on the basis of their publication dates. The number of the issue considered will appear on the cover page of that issue.

Numbering of the Pages of the Gazette

106. Two possible basic methods could be used for numbering the pages of the Gazette, namely, consecutive numbering of the pages issue by issue (the first page of each issue being assigned the number 1) or consecutive cumulative numbering of the pages of all issues of the Gazette published during one calendar year (for example, the first page of the second issue would be numbered 10 if the first issue ended with page 9).

107. Consecutive cumulative numbering of the pages of all issues of the Gazette published during the calendar year is selected since this system would permit building up collections (e.g., bound collections for one year) of the issues of the Gazette with their pages being consecutively numbered.

Number of Copies of Each Weekly Issue of the Gazette

108. Assuming that the Gazette would, among many other purposes, be used for selecting the pamphlet considered relevant within the technical field in which the user is interested, it is felt that the number of copies of a given issue of the Gazette to be printed would be considerably higher than the number of copies of the pamphlets to be printed. The probable need, as regards the number of copies of each issue of the Gazette is assumed to be 2000 copies for the English edition and 500 copies for the French edition.

Assembling of Pages

109. The pages of each weekly issue of the Gazette will be assembled by saddle-stitching (with two non-rusting wire staples). Such binding will permit the assembling of variable numbers of pages and ensure a good quality of binding of the publication at a reasonable cost. Should the number of pages of given issues of the Gazette be too large to permit saddle-stitching, the pages of such issues may be assembled by glue binding (e.g., using a thermo-plastic binding method).

First Section of the Gazette: Entries Containing Data Specified by the Administrative Instructions Taken from the Front Page of the Pamphlet, Drawings (if any) and Abstract Rule 86.1(i)

Contents

110. The first section of the Gazette will consist of a set of entries notifying the international publication of all the international applications published at the same date as the weekly issue of the Gazette considered. The contents of each entry will, as specified in Rule 86.1(i) and Section 407(b), be identical with the contents of the front page of the corresponding pamphlet.

111. No entry relating to a subsequent publication of the international search report and/or of the amended claims with a revised version of the front page will be included in the first section of the Gazette. Such subsequent publication will be notified in the second section of the Gazette (containing notices related to given published international applications, see paragraphs 125 to 127 below) with a reference to the relevant weekly issue of the Gazette which contains the entry notifying the international publication of the corresponding international application.

Organization of Contents

112. The various entries mentioned above will be arranged in the ascending numerical order of the international publication numbers of the corresponding published international applications.

Layout and Presentation of the Entries

113. The entries appearing in each A4 page of the first section of the Gazette will be reproduced in A5 size, one above the other, in landscape form (i.e., with the lines of print of each entry running parallel to the short side of each A4 page of the first section of the Gazette). The contents of the corresponding front page will be presented for each entry, within three different frames as illustrated in Annex G to these Guidelines.

114. This layout and presentation will provide for the possible use of the entries as abstract cards of A5 size.

115. The first page of the first section will comprise only one entry, the upper space of this page being utilized to indicate the heading identifying the first section as well as the range of the international publication numbers of the published international applications referred to in the entries.

116. If any number pertaining to the range considered is not used as an international publication number (e.g., withdrawal of a given international application when this application has already been assigned an international publication number), the entry will be replaced by a notification to the effect that no international application will be published under the number considered.

Preparation of the Master Image to be Reproduced by Offset Printing

117. The method of preparing the master images of the entries and of the pages of the first section of the Gazette according to the layout and presentation indicated in paragraphs 113 to 116 above will depend upon language considerations. Separate consideration is given below to the task involved in preparing the master images of the entries in the case where the language of the entry concerned is the same as the language of the corresponding published international application and in the case where such languages are not the same.

Preparation of the master image of an entry when the language of the entry is the same as the language of the corresponding published international application

118. This situation will occur when the entries of the English edition of the Gazette refer to international applications published in the English language, and when the entries of the French edition refer to international applications published in French. In this situation, the master image of the entry will be prepared by the printer by cutting up parts of the existing front page reproduced by offset in A4 size and mounting such parts on an A4 size page containing preprinted frames, in order to obtain the layout and presentation illustrated in Annex G. No retyping work will be required.

119. It is estimated that this method of preparation of the master image will apply to 53% of the entries of the English edition of the Gazette and 12% of the entries of the French edition.

Preparation of the master image of an entry when the language of the entry is different from the language of the corresponding published international application

120. This situation will arise when the entries of the English edition of the Gazette relate to international applications published in French, German, Japanese or Russian, and when the entries of the French edition relate to international applications published in English, German, Japanese or Russian. In this situation, the existing pamphlet front page cannot be used. A translation into English (with the exception of the abstract) or French of the contents of the pamphlet front page will be used to prepare a master image of the entry by typewriting the bibliographic data and the abstract on a model page of A3 size comprising preprinted entries and frames designed according to the layout and presentation illustrated in Annex G. A montage of the drawing will also be necessary. All these operations will be carried out by the International Bureau.

121. It is estimated that this method of preparation of the master image would apply to 47% of the entries of the English edition of the Gazette and to 88% of the entries of the French edition.

Preparation of the master image of a page of the first section of the Gazette

122. The preparation of the master image of a page involves the carrying out of the following operations by the printer:

- selection of the entries to be reproduced on the page (according to the numerical sequence of the international publication numbers)
- where applicable, reduction from A3 to A4 size of the entries prepared by the International Bureau (see paragraphs 120 and 121 above)
- preparation of the camera-ready copy by assembling the two A4 size entries with the heading of the page and by inserting the page number for subsequent reduction and offset reproduction.

123. In the study of the feasibility and economic viability of the preparation of the master image of the pamphlet front page by computer-controlled photocomposition (see paragraph 72 above), the possibility of generating the entries by photocomposition by using the machine-readable data carrier produced for the photocomposition of the pamphlet front pages prepared in the language of the entries would be considered. However, the use of such a machine readable data carrier would be possible only for pamphlet front pages prepared in English for the English edition of the Gazette (i.e., for 53% of the entries) and in French for the French edition (i.e., for 12% of the entries). In other situations, (see paragraphs 120 and 121), it would be necessary to keyboard the bibliographic information in the appropriate language for subsequent photocomposition.

Other Sections of the Gazette

124. Three other separate sections of the Gazette, following the first section mentioned above, will deal separately with:

(i) notices and information relating to given published international applications (Section II);

(ii) information facilitating access to the Gazette entries as contained in Section I, which will be presented in the form of weekly indexes consisting of lists of bibliographic data arranged according to relevant criteria (Section III);

(iii) notices and information of a general character, not specially related to given published international applications (Section IV).

125. Section II of the Gazette. This section will contain the following notices related to given international applications, published in accordance with Rule 86.1(iii) and (v):

(i) notification of the date on which the application number of the earlier application (priority application) was furnished by the applicant to the International Bureau, if the said number was not furnished at the time of the international publication of the international application (Rule 4.10(c));

(ii) publication of any notification received from the receiving Office under Rule 29.1(a)(ii) (international application considered withdrawn), whenever this notification reached the International Bureau at a time later than that at which it was able to prevent the international publication of the international application (Rule 48.6(a));

(iii) publication of any notification issued by a designated Office under Rules 29.2 (finding by designated Office) or 51.4 (notification to the International Bureau with respect to unjustified refusal declaration or finding referred to in Article 25(1)) (Rule 48.6(b));

(iv) announcement of the withdrawal of an international application whenever the international application is withdrawn after its international publication (Rule 48.6(c));

(v) publication of corrigenda;

(vi) information, if and to the extent furnished to the International Bureau by the designated or elected Offices, on the question whether the requirements provided for in Article 22 or Article 39 have been complied with in respect of the international applications designating or electing the Office concerned;

(vii) announcement of the later publication of the international search report which was not available at the time of publication of the international application;

(viii) announcement of the later publication of the amended claims which were not filed at the time of publication of the international application.

126. It is to be noted that the notices listed in paragraph 125 above, although relating to given published international applications, relate to facts occurring after the publication of the international applications concerned. Accordingly, those notices will be published in an issue of the Gazette subsequent to the issue containing the entry relating to the published international application concerned. They shall be arranged in the ascending numerical order of the international publication numbers of the published international applications concerned.

127. Preparation of the camera-ready copy of Section II of the Gazette for subsequent offset reproduction by the printer will be effected by the International Bureau by typewriting the notices listed in paragraph 125 above on preprinted model pages having the necessary headings. Phototypesetting of the pages of Section II will be further studied, it being understood that the machine-readable data carriers prepared for the photocomposition of pamphlet front pages and the entries of Section I could not be used.

128. Section III of the Gazette. This section deals with information facilitating access to the Gazette entries and will contain the four following weekly indexes, in accordance with Section 407(c):

(i) index of concordance of international application numbers and international publication numbers, grouped according to international application numbers;

(ii) international publication numbers grouped according to designated States, including an indication of those States for which a "regional patent" is sought;

(iii) applicants' name index giving, for each name, the corresponding international publication number(s);

(iv) classification index showing the international publication numbers grouped according to the relevant symbols of the International Patent Classification (IPC).

129. The index of concordance of international application numbers and international publication numbers referred to in paragraph 128(i) above serves also the purpose of listing the international publication numbers according to receiving Offices, because the two letter code designating the receiving Offices appears in the international application number and governs the order of enumeration of the international application numbers.

130. In the index listing international publication numbers according to designated States (see paragraph 128(ii) above) requests for a regional patent will be indicated by means of an asterisk accompanying the relevant international publication number appearing under the designated State concerned.

131. The applicants' name index mentioned in paragraph 128(iii) above will list the names of applicants in alphabetical order. Whenever there are several applicants in an international application, even if these applicants are different for the purposes of different designated States, each of them will be listed in alphabetical order*.

132. In the classification index referred to in paragraph 128(iv) above, the international publication numbers of international applications which have been assigned several classifications according to the IPC will be listed under each relevant IPC symbol of the index; this principle, however, will not apply to "supplementary" and "complementary" classification according to the IPC.

133. Preparation of the camera-ready copy of the above-mentioned weekly indexes for subsequent offset reproduction by the printer will be effected by the international Bureau by typewriting the listings of bibliographic data on preprinted model pages comprising the necessary headings and frames.

134. The possibility of preparing the master image of the weekly indexes by computer-controlled photocomposition will be considered in the framework of the study of the practicability and economic viability of the photocomposition of the front pages of the pamphlets. Such a method would involve the use of the machine-readable data carriers prepared for the photocomposition of the pamphlet front pages and/or of the entries appearing in the first section of the Gazette.

135. Section IV of the Gazette. This section, dealing with the notices of a general character published in accordance with Rule 86.1(ii), (iii) and (v) and with Section 407(c), will contain two different parts in which would be reproduced, respectively, regular notices (quarterly, semi-annually or annually) and non-periodic notices presented according to the PCT Authorities issuing the notifications to be published (e.g., notifications received from Contracting States, from Designated States, from Elected States, etc.).

* A study of the various systems available for organizing indexes of applicants in alphabetical order is being carried out in cooperation with the Interim Committee of the EPO and INPADOC.

136. Part 1 of Section IV of the Gazette. This part will contain the following regular notices of a general character:

(i) schedule of all fees payable to the receiving Offices, the International Bureau and the International Searching and Preliminary Examining Authorities Rule 86.1(ii)); this information, which will remain the same for a given period of time, can be laid down on a standardized page which would be reproduced in the Gazette on a periodic basis (e.g., quarterly or semi-annually); changes in fee schedules occurring in the intervening period will be published as they occur;

(ii) information, in accordance with indications given to the International Bureau by each receiving Office (in accordance with the terms of the applicable agreement referred to in Article 16(3)(b)), as to the International Searching Authorities which are competent for the searching of the international applications filed with the receiving Offices (Rule 35.1); this information will be published promptly after its receipt and republished once a year;

(iii) publication, once a year, of statistics concerning non-compliance with Rules 22.1 and 22.2 (Rule 22.4);

(iv) publication, once a year, of the number of instances in which, according to the knowledge of the International Bureau, any receiving Office has not complied with the requirement of Rule 23.1(a) (Rule 23.1(c)).

137. Part 2 of Section IV of the Gazette. This part will contain the following information of a general character:

(i) list of such published items of non-patent literature, pertaining to the PCT minimum documentation, as the International Searching Authorities have agreed upon, this list being published when agreed upon for a first time and whenever changed (Rule 34.1(b)(iii));

(ii) any notification received from any receiving Office with respect to its decision to avail itself of the faculty provided for in Rule 35.2(a) and Rule 35.2(b));

(iii) any notification received from any Contracting State under Rule 49.1(a) (languages of translations and amounts of fees under Article 22(1) and notifications received from any Contracting State with respect to any changes of requirements of Rule 49.1(a) (Rule 49.1(b) and (c));

(iv) any notification received from any Contracting State under Rule 50.1(a) (Faculty under Article 22(3) with respect to time limit expiring later than the time limits provided for in Article 22(1) or (2), as allowed by a Contracting State) (Rule 50.1(b));

(v) information received from any Contracting State with respect to the competence of the International Preliminary Examining Authority or Authorities (Rule 59.1);

(vi) any requirement of any Elected State with respect to the language of the international preliminary examination report (Rule 72.1(b));

(vii) any notification issued by any Contracting State wishing to take advantage of the faculty provided in Article 37(4)(b) (Rule 75.4(b));

(viii) any notification received from any Contracting State under Rule 76.1 (languages of translations and amounts of fees under Article 39(1); notification received from any Contracting State with respect to any changes of requirements of Rule 76.1(a) (Rules 76.1(b) and (c));

(ix) the time limits applicable under Articles 22 and 39 in respect of each Contracting State;

(x) any notification issued by any Contracting State allowing a time limit expiring later than the time limit provided for in Article 39(1) (copy, translation and fee, to elected Offices) (Rule 77.1(b));

(xi) the names of the national Offices which do not wish to receive copies under Article 13(2)(c);

(xii) the relevant provisions of the laws of Contracting States concerning international-type search;

(xiii) the relevant provisions of the law of any Contracting State party to a regional patent treaty stipulating that any designation or election of such State in the international application shall have the effect of an indication of the wish to obtain a regional patent under the regional patent treaty;

(xiv) the texts of the agreements entered into between the International Bureau and the International Searching Authorities or the International Preliminary Examining Authorities;

(xv) the names of the national Offices which entirely or in part waived their rights to any communication under Article 20;

(xvi) information as to States which have newly ratified or acceded to the Treaty (together with any reservations made by the said States under Article 64);

(xvii) the names of the Contracting States which are not bound by Chapter II of the PCT;

(xviii) the indication of any subject matter that will not be searched or examined by the various International Searching and Preliminary Examining Authorities under Rules 39 and 67;

(xix) the delegation of duties of receiving Offices (Rule 19.3).

138. Preparation of the camera-ready copy of Section IV will be carried out under the same conditions as for Section II of the Gazette (see paragraph 127 above). Similar considerations to those mentioned in paragraph 127 apply to the possibility of producing this section by photocomposition.

GENERAL ORGANIZATION OF THE GAZETTE

139. Taking into consideration the contents of the Gazette specified in Rule 86.1(i) to (v) and considered in paragraphs 110 to 137 above, the Gazette shall be organized in the following order:

(i) Standardized Cover Page on which would be illustrated:

- the identification of the International Bureau as the Authority in charge of publishing the Gazette;
- the title of the Gazette as provided for in Rule 86.5;
- the date of publication of the weekly issue;
- the number of the weekly issue;
- the range of international publication numbers of the international applications referred to in the entries of Section I of the Gazette. (This indication shall not, however, interfere with the serial number identifying the issue of the Gazette.)

(ii) A Table of Contents indicating the location, by page number, of the various sections of the Gazette;

(iii) A First Section entitled "Published International Applications" and containing the comprehensive entries referred to in paragraph 110 of these Guidelines, beginning always on the front side of a sheet;

(iv) A Second Section entitled "Notices and Information relating to Published International Applications," beginning always on the front side of a sheet;

(v) A Third Section containing weekly indexes, beginning always on the front side of a sheet; as to cumulative indexes, see Part IV below;

(vi) A Fourth and Last Section entitled "Notices and Information of a General Character," beginning always on the front side of a sheet.

PART IV - CUMULATIVE INDEXES

140. Although cumulative indexes are to be considered as part of the Gazette, they will be published separately from the weekly issues of the Gazette for the convenience of the user.

141. In the early operational period of the PCT, it is expected that such indexes will only be produced annually. Later, they will probably be published quarterly or semi-annually.

142. The cumulative indexes consist of (1) an applicants' name index giving, for each name, the corresponding international publication number(s) and (2) a classification index showing the international publication numbers grouped according to the relevant symbols of the International Patent Classification. These indexes will contain the bibliographic information set forth in the weekly indexes referred to in paragraph 128(iii) and (iv) accumulated over a period of 3, 6 or 12 months. Specimens of such indexes are illustrated in Annex H.

143. No serial numbers will be assigned to the successive issues of the cumulative indexes. Instead, each issue will be identified on its cover page by the period covered by the cumulative indexes contained therein. A specimen of this cover page is illustrated in Annex H.

144. For each issue of the cumulative indexes, a separate series of page numbers will be used (the first page being assigned the number "1").

145. Preparation of the camera-ready copy of the cumulative indexes for subsequent offset reproduction by the printer will be carried out by the International Bureau by typewriting the listings of bibliographic data on pages having the necessary preprinted headings and frames.

146. For each issue of the cumulative indexes, separate editions, one printed in English and the other in French, will be published. The number of copies of each issue is expected to be: 2,000 copies of the English edition and 500 copies of the French edition.

147. The offset printing of the cumulative indexes will be carried out under the same conditions as for the Gazette, and under the same specifications (see paragraphs 94 and 95 above).

148. The phototypesetting of the cumulative indexes is to be considered in the framework of the study of the practicability and economic viability of the photocomposition of the front pages of the pamphlets. Such a method would involve the use of the machine-readable data carriers prepared for the photocomposition of the weekly indexes appearing in Section III of the Gazette.

PART V - ABSTRACT SERVICE AND INFORMATION BROCHURES

Classified Abstract Service

149. The Interim Committee is invited to consider the feasibility and advisability of publishing the abstracts of published international applications arranged in accordance with the symbols of the International Patent Classification assigned to the corresponding international applications.

150. Although the comprehensive entries of the first section of the Gazette could be used to some extent for the building up of abstract card files, they do not fully meet the needs of users wishing to establish and maintain such files. This flows from the fact that the entries are arranged only in numerical order and that the selection of the said entries according to the symbols of the IPC would require the use of the weekly indexes or of the cumulative indexes.

151. The establishment of a classified abstract service will be studied by the International Bureau, taking into account the necessity for such service to be self-financing since no funds are provided for the service in the budgeting of the PCT. In its study the International Bureau will have regard to any service provided by the European Patent Office and, subject to budgetary considerations, will aim to provide a service which is compatible therewith. It should be noted that no modification of the size, layout and presentation of the Gazette entries would be required for producing the abstract service. The master images originally used for the printing of the entries, or the machine-readable carrier, if any, used for producing entries by photocomposition, could be used as such, subject of course, to the proper selection of the entries according to the IPC symbols. It goes without saying that the said entries should be printed recto only, possibly on hard paper.

152. Such a classified abstract service could readily be implemented in the form of an SDI (Selective Dissemination of Information) service which would meet the specific needs of users according to their respective fields of interest.

153. The classified abstract service should, particularly, if it is established on an SDI basis, be developed using a computerized data bank and delivered in the form of document produced by computer-assisted printing techniques (e.g., computer print-out, COM microfiches or photocomposed bulletin). With these considerations in mind, the Interim Committee is invited to consider the advantage that might be derived from the utilization of the experience and equipment of the International Patent Documentation Centre (INPADOC), Vienna, in connection with the establishment of a classified abstract service. Collaboration between WIPO and INPADOC could either be on the basis of an arrangement providing for operation of the service by INPADOC or by the International Bureau in conjunction with INPADOC.

154. Account should also be taken of the possible benefits to users which could be derived from the utilization, in conjunction with the classified abstract service, of the existing services of INPADOC such as the Patent Classification Service (PCS) and the Patent Family Service (PFS).

Information Brochures

155. It is proposed to publish brochures to meet the information needs of PCT Authorities and users with respect to certain aspects of the procedure and practice under the PCT (e.g., Guidelines for Applicants and Receiving Offices, Guidelines on the Presentation and Execution of Drawings).

156. It is further suggested that all relevant information for applicants and their representatives could be contained in a single manual to be kept up to date by the International Bureau.

157. It is not considered useful to deal with form and content of these information brochures in more detail in these Guidelines, since they are in fact the subject of separate documents and do not seem to present any special problems in connection with publication.

[Annexes follow]

REVIEW OF EXISTING MICROFORMS

1. Microforms may be divided into two categories depending on whether they are treated sequentially by scanning or whether individual documents are identified.
2. The first category includes microfilm on spools or in cassettes (16 or 36 mm).
3. The second category includes 8-up aperture cards, jackets, and multi-frame microfiches (possibly from a computer output microfilm system).

Microfilms

4. The most usual sizes of roll microfilms used for reproducing documents or patent-related information (e.g. Official Gazettes, Indexes) are 16 mm roll microfilms and 35 mm roll microfilms in 8-up configuration. These two kinds of roll microfilms can be handled in spools or in cassettes.
5. It should be noted, in this respect, that ICIREPAT has established the following recommendations relating to microfilms:
 - (i) Standard ST.7/B: "Recommended Standard for 16 mm Roll Microfilm for Exchange between Patent Offices";
 - (ii) Standard ST.7/C: "Recommended Standard for 35 mm Roll Microfilm in 8-up Configuration for Exchange between Patent Offices";
 - (iii) Standard ST.7/D: "Recommendation for a Standardized Method of Identifying Roll Microfilm Files of Patent and Patent-related Documents".
6. The respective advantages and disadvantages of the various types of films, namely silver-halide, diazo and vesicular films, are not analyzed. Such a comparative analysis would be made in a further study, once basic decisions have been taken with respect to implementation of the international publication.
7. If a patent contains ten pages, 35 mm 8-up film will permit eight pages for the first frame and only two pages for the second frame. The waste of space is therefore considerable. The occupied part of 35 mm film placed under an aperture card is in this case proportionately less than for 16 mm film.
8. This remark militates in favor of 16 mm film which, however, has disadvantages when it comes to mounting in an aperture card; for this reason it is suggested to use both 16 and 35 mm film.
9. The cassette is practical, as it can be indexed, lends itself better than the spool to frequent handling, and protects the film from dirt and damage. On the other hand, microfilm on spools is essential as a medium for preparing aperture cards, jackets or for mailing films.
10. It would be for the Contracting States receiving such spools to put them into cassettes. The choice of cassette, which affects the choice of reading equipment, should be left to each Office and not be imposed by the International Bureau (see paragraph 44 of ICIREPAT Standards ST.7/B and ST.7/C).

8-up Aperture Cards

11. In its recommendation (see Standard ST.7/A), ICIREPAT defines the 8-up aperture card as a punched card with 80 columns and an aperture giving eight images from a 35 mm 8-up film. The cards can be selected by card sorters.
12. Possible disadvantages to this system are as follows:
 - Capacity - although eight images might seem sufficient for the majority of publications when they are treated by photocomposition, the same cannot be said when they are printed from the original document. In this case, two to three cards are often necessary which increases their number fairly considerably;

- Weight - this card is heavier and more cumbersome than any other micrographic medium. Account should also be taken of the weight and awkwardness of the furniture for housing aperture cards, which is frequently made of metal;
- Sorters - the handling of aperture cards in sorters is rather delicate and subject to many factors affecting the characteristics of the cards, such as degree of humidity, thickness, smoothness of the card, geometry of the edges of the cards, etc. Sorting operations have to be carried out on batches of cards of the same origin with sorters adjusted to the characteristics of the batches concerned.

13. However, the aperture card does have the merit of being already in use, and ICIREPAT finally preferred this method because most national Offices do not publish their patents in sequence. The sorters permit of easy extrication. The re-filing of cards is simple, and it is possible to standardize equipment.

14. However, this system is costly, because of the way the cards are made (punching and carding). It is cumbersome and heavy. It is fragile because the passing of the cards through the sorter leads to deterioration and therefore inevitably to the need for replacements.

Jackets (strip microfiche)

15. This is a complete data medium for a document. Updating is done as and when required by inserting films cut into strips. It can be duplicated to form a microfiche.

16. However, this system is also heavy and costly when it comes to preparation of the medium and filing. Titles have to be added by hand and the editing requires great care.

[Annex B follows]

PCT PROVISIONS GOVERNING THE INTERNATIONAL PUBLICATION
OF THE INTERNATIONAL APPLICATION

Article 21

International Publication

(1) The International Bureau shall publish international applications.

(2) (a) Subject to the exceptions provided for in subparagraph (b) and in Article 64(3), the international publication of the international application shall be effected promptly after the expiration of 18 months from the priority date of that application.

(b) The applicant may ask the International Bureau to publish his international application any time before the expiration of the time limit referred to in subparagraph (a). The International Bureau shall proceed accordingly, as provided in the Regulations.

(3) The International search report or the declaration referred to in Article 17(2)(a) shall be published as prescribed in the Regulations.

(4) The language and form of the international publication and other details are governed by the Regulations.

(5) There shall be no international publication if the international application is withdrawn or is considered withdrawn before the technical preparations for publication have been completed.

(6) If the international application contains expressions or drawings which, in the opinion of the International Bureau, are contrary to morality or public order, or if, in its opinion, the international application contains disparaging statements as defined in the Regulations, it may omit such expressions, drawings, and statements, from its publications, indicating the place and number of words or drawings omitted, and furnishing, upon request, individual copies of the passages omitted.

Article 64

Reservations

(3) (a) Any State may declare that, as far as it is concerned, international publication of international applications is not required.

(b) Where, at the expiration of 18 months from the priority date, the international application contains the designation only of such States as have made declarations under subparagraph (a), the international application shall not be published by virtue of Article 21(2).

(c) Where the provisions of subparagraph (b) apply, the international application shall nevertheless be published by the International Bureau:

(i) at the request of the applicant, as provided in the Regulations,

(ii) when a national application or a patent based on the international application is published by or on behalf of the national Office of any designated State having made a declaration under subparagraph (a), promptly after such publication but not before the expiration of 18 months from the priority date.

Rule 48

International Publication

48.1 Form

(a) The international application shall be published in the form of a pamphlet.

(b) The particulars regarding the form of the pamphlet and the method of reproduction shall be governed by the Administrative Instructions.

48.2 Contents

(a) The pamphlet shall contain:

(i) a standardized front page,

(ii) the description,

(iii) the claims,

(iv) the drawings, if any,

(v) subject to paragraph (g), the international search report or the declaration under Article 17(2)(a),

(vi) any statement filed under Article 19(1), unless the International Bureau finds that the statement does not comply with the provisions of Rule 46.4.

(b) Subject to paragraph (c), the front page shall include:

(i) data taken from the request sheet and such other data as are prescribed by the Administrative Instructions,

(ii) a figure or figures where the international application contains drawings,

(iii) the abstract; if the abstract is both in English and in another language, the English text shall appear first.

(c) Where a declaration under Article 17(2)(a) has issued, the front page shall conspicuously refer to that fact and need include neither a drawing nor an abstract.

(d) The figure or figures referred to in paragraph (b)(ii) shall be selected as provided in Rule 8.2. Reproduction of such figure or figures on the front page may be in a reduced form.

(e) If there is not enough room on the front page for the totality of the abstract referred to in paragraph (b)(iii), the said abstract shall appear on the back of the front page. The same shall apply to the translation of the abstract when such translation is required to be published under Rule 48.3(c).

(f) If the claims have been amended under Article 19, the publication shall contain either the full text of the claims both as filed and as amended or the full text of the claims as filed and specify the amendments. Any statement referred to in Article 19(1) shall be included as well, unless the International Bureau finds that the statement does not comply with the provisions of Rule 46.4. The date of receipt of the amended claims by the International Bureau shall be indicated.

(g) If, at the time when publication is due, the international search report is not yet available (for example, because of publication on the request of the applicant as provided in Articles 21(2)(b) and 64(3)(c)(i)), the pamphlet shall contain, in place of the international search report, an indication to the effect that that report was not available and that either the pamphlet (then also including the international search report) will be republished or the international search report (when it becomes available) will be separately published.

(h) If, at the time when publication is due, the time limit for amending the claims under Article 19 has not expired, the pamphlet shall refer to that fact and indicate that, should the claims be amended under Article 19, then, promptly after such amendments, either the pamphlet (containing the claims as amended) will be republished or a statement reflecting all the amendments will be published. In the latter case, at least the front page and the claims shall be republished and, if a statement under Article 19(1) has been filed, that statement shall be published as well, unless the International Bureau finds that the statement does not comply with the provisions of Rule 46.4.

(i) The Administrative Instructions shall determine the cases in which the various alternatives referred to in paragraphs (g) and (h) shall apply. Such determination shall depend on the volume and complexity of the amendments and/or the volume of the international application and the cost factors.

48.3 Language

(a) If the international application is filed in English, French, German, Japanese, or Russian, that application shall be published in the language in which it was filed.

(b) If the international application is filed in a language other than English, French, German, Japanese, or Russian, that application shall be published in English translation. The translation shall be prepared under the responsibility of the International Searching Authority, which shall be obliged to have it ready in time to permit the communication under Article 20 by the prescribed date, or, if the international publication is due at an earlier date than the said communication, to permit international publication by the prescribed date. Notwithstanding Rule 16.1(a), the International Searching Authority may charge a fee for the translation to the applicant. The International Searching Authority shall give the applicant an opportunity to comment on the draft translation. The International Searching Authority shall fix a time limit reasonable under the circumstances of the case for such comments. If there is no time to take the comments of the applicant into account before the translation is communicated or if there is a difference of opinion between the applicant and the said Authority as to the correct translation, the applicant may send a copy of his comments, or what remains of them, to the International Bureau and each designated Office to which the translation was communicated. The International Bureau shall publish the essence of the comments together with the translation of the International Searching Authority or subsequently to the publication of such translation.

(c) If the international application is published in a language other than English, the international search report, or the declaration referred to in Article 17(2)(a), and the abstract shall be published both in that language and in English. The translation shall be prepared under the responsibility of the International Bureau.

48.4 Earlier Publication on the Applicant's Request

(a) Where the applicant asks for publication under Articles 21(2)(b) and 64(3)(c)(i) and the international search report, or the declaration referred to in Article 17(2)(a), is not yet available for publication together with the international application, the International Bureau shall collect a special publication fee whose amount shall be fixed in the Administrative Instructions.

(b) Publication under Article 21(2)(b) and 64(3)(c)(i) shall be effected by the International Bureau promptly after the applicant has asked for it and, where a special fee is due under paragraph (a), after receipt of such fee.

48.5 Notification of National Publication

Where the publication of the international application by the International Bureau is governed by Article 64(3)(c)(ii), the national Office concerned shall, promptly after effecting the national publication referred to in the said provision, notify the International Bureau of the fact of such national publication.

48.6 Announcing of Certain Facts

(a) If any notification under Rule 29.1(a)(ii) reaches the International Bureau at a time later than that at which it was able to prevent the international publication of the international application, the International Bureau shall promptly publish a notice in the Gazette reproducing the essence of such notification.

(b) The essence of any notification under Rule 29.2 or 51.4 shall be published in the Gazette and, if the notification reaches the International Bureau before preparations for the publication of the pamphlet have been completed, also in the pamphlet.

(c) If the international application is withdrawn after its international publication, this fact shall be published in the Gazette.

Section 404

International Publication Number

The International Bureau shall assign to each published international application an international publication number which shall be different from the international application number. The international publication number shall be used on the pamphlet and in the Gazette entry. It shall consist of the two-letter code "WO" followed by a two-digit designation of the last two numbers of the year of publication, a slant, and a serial number consisting of five digits (e.g., WO78/12375").

Section 405

Special Publication Fee

The special publication fee provided for in Rule 48.4 shall be 200 Swiss francs.

Section 406

Pamphlets

(a) Pamphlets referred to in Rule 48.1 shall be published on a given day of each week.

(b) All pamphlets shall be of A4 size and shall be printed by offset, recto-verso.

(c) The form and particulars of the front page of each pamphlet shall be decided by the Director General.

[Annex C follows]

PCT PROVISIONS GOVERNING THE PUBLICATION OF THE GAZETTE

Article 55

International Bureau

(4) The International Bureau shall publish a Gazette and other publications provided for by the Regulations or required by the Assembly.

Rule 86

The Gazette

86.1 Contents

The Gazette referred to in Article 55(4) shall contain:

(i) for each published international application, data specified by the Administrative Instructions taken from the front page of the pamphlet published under Rule 48, the drawing (if any) appearing on the said front page, and the abstract,

(ii) the schedule of all fees payable to the receiving Offices, the International Bureau, and the International Searching and Preliminary Examining Authorities,

(iii) notices the publication of which is required under the Treaty or these Regulations,

(iv) information, if and to the extent furnished to the International Bureau by the designated or elected Offices, on the question whether the requirements provided for in Articles 22 or 39 have been complied with in respect of the international applications designating or electing the Office concerned,

(v) any other useful information prescribed by the Administrative Instructions, provided access to such information is not prohibited under the Treaty or these Regulations.

86.2 Languages

(a) The Gazette shall be published in an English-language edition and a French-language edition. It shall also be published in editions in any other language, provided the cost of publication is assured through sales or subventions.

(b) The Assembly may order the publication of the Gazette in languages other than those referred to in paragraph (a).

86.3 Frequency

The Gazette shall be published once a week.

86.4 Sale

The subscription and other sale prices of the Gazette shall be fixed in the Administrative Instructions.

86.5 Title

The title of the Gazette shall be "Gazette of International Patent Applications," and "Gazette des Demandes internationales de brevets," respectively.

86.6 Further Details

Further details concerning the Gazette may be provided for in the Administrative Instructions.

Section 407

The Gazette

(a) The Gazette referred to in Rule 86 shall be of A4 size and shall be printed by offset, recto-verso.

(b) In addition to the contents specified in Rule 86, the Gazette shall contain, in respect of each published international application, the data indicated in Annex D.

(c) The information referred to in Rule 86.1(v) shall be that which is indicated in Annex E.

(d) The subscription price of the Gazette shall be 500 Swiss francs per year. The price of any single issue of the Gazette shall be 15 Swiss francs.

[Annex D of the Administrative
Instructions follows]

PCT/AAQ/VIII/2
ANNEX C
ANNEX D of the Administrative Instructions

INFORMATION FROM PAMPHLET FRONT PAGE TO BE INCLUDED IN THE GAZETTE
UNDER RULE 86.1(i)

The following information shall be extracted from the front page of the pamphlet of each published international application and shall, in accordance with Rule 86.1(i), appear in the corresponding entry of the Gazette:

1. As to the international publication:
 - 1.1 the international publication number
 - 1.2 the date of the international publication
 - 1.3 an indication whether the following items were published in the pamphlet:
 - 1.31 international search report
 - 1.32 declaration under Article 17(2)
 - 1.33 amended claims
 - 1.34 statement under Article 19(1)
 - 1.35 the essence of the comments by the applicant on the translation of the international application as referred to in Rule 48.3(b).
2. as to the international application:
 - 2.1 the title of the invention
 - 2.2 the symbol(s) of the International Patent Classification (IPC)
 - 2.3 the international application number
 - 2.4 the international filing date
3. as to any priority claim:
 - 3.1 the application number of the earlier application
 - 3.2 the date of the earlier application
 - 3.3 the country in or for which the earlier application was filed
4. as to the applicant, inventor and agent:
 - 4.1 their name(s)
 - 4.2 their mailing address(es)
5. as to the designated and elected States:
 - 5.1 their names
 - 5.2 the indication of any wish for a regional patent
 - 5.3 the indication of kind of protection sought, unless patent is sought.

PCT/AAQ/VIII/2
ANNEX C
ANNEX E of the Administrative Instructions

INFORMATION TO BE PUBLISHED IN THE GAZETTE
UNDER RULE 86.1(v)

1. The time limits applicable under Articles 22 and 39 in respect of each Contracting State.
2. The list of the non-patent literature agreed upon by the International Searching Authorities for inclusion in the minimum documentation.
3. The names of the national Offices which do not wish to receive copies under Article 13(2)(c).
4. The provisions of the national laws of Contracting States concerning international-type search.
5. The text of the agreements entered into between the International Bureau and the International Searching Authorities or the International Preliminary Examining Authorities.
6. The names of the national Offices which entirely or in part waived their rights to any communication under Article 20.
7. The names of the Contracting States which are bound by Chapter II of the PCT.
8. Index of concordance of international application numbers and international publication numbers, listed according to international application numbers.
9. Index of international publication numbers grouped according to designated States, including an indication of those States for which a "regional patent" is sought.
10. Index of applicants' names giving, for each name, the corresponding international publication number(s).
11. Index of international publication numbers, grouped according to the International Patent Classification symbols.
12. Indication of any subject matter that will not be searched or examined by the various International Searching and Preliminary Examining Authorities under Rules 39 and 67.

[Annex D follows]



INTERNATIONAL APPLICATION PUBLISHED UNDER THE PATENT COOPERATION TREATY (PCT)

(51) International Patent Classification : (11) International Publication Number : **WO 75/01234**
B23K 37/04 (43) International Publication Date : 14 July 1975

(21) Int. Appl. Number : PCT/GB75/61234
(22) Int. Filing Date : 10 January 1975
(31) Priority Appl. Number : 53762/74
(32) Priority Date : 14 January 1974
(33) Priority Country : GB

(60) Parent Appl. or Grant
(61) Related by addition :

(63) Related by continuation :

(71) Applicants : THAMES Ltd., 34 South Bank Street, Chiswick, London S.W.2, United Kingdom. THAMES Ltd., 34 South Bank Street, Chiswick, London S.W.2, United Kingdom. THAMES Ltd., 34 South Bank Street, Chiswick, London S.W.2, United Kingdom. THAMES Ltd., 34 South Bank Street, Chiswick, London S.W.2, United Kingdom. THAMES Ltd., 34 South Bank Street, Chiswick, London S.W.2, United Kingdom. THAMES Ltd., 34 South Bank Street, Chiswick, London S.W.2, United Kingdom. THAMES Ltd., 34 South Bank Street, Chiswick, London S.W.2, United Kingdom. THAMES Ltd., 34 South Bank Street, Chiswick, London S.W.2, United Kingdom. THAMES Ltd., 34 South Bank Street, Chiswick, London S.W.2, United Kingdom. THAMES Ltd., 34 South Bank Street, Chiswick, London S.W.2, United Kingdom.

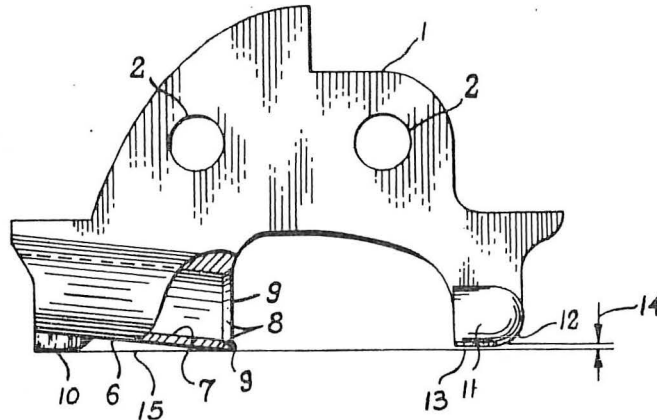
Published with : INTERNATIONAL SEARCH REPORT,
AMENDED CLAIMS AND STATEMENT

(72) Inventors : MOORE, Harry, 27 Victoria Street, Chiswick, London, S.W.2, United Kingdom. MOORE, Harry, 27 Victoria Street, Chiswick, London, S.W.2, United Kingdom. MOORE, Harry, 27 Victoria Street, Chiswick, London, S.W.2, United Kingdom. MOORE, Harry, 27 Victoria Street, Chiswick, London, S.W.2, United Kingdom. MOORE, Harry, 27 Victoria Street, Chiswick, London, S.W.2, United Kingdom. MOORE, Harry, 27 Victoria Street, Chiswick, London, S.W.2, United Kingdom. MOORE, Harry, 27 Victoria Street, Chiswick, London, S.W.2, United Kingdom. MOORE, Harry, 27 Victoria Street, Chiswick, London, S.W.2, United Kingdom. MOORE, Harry, 27 Victoria Street, Chiswick, London, S.W.2, United Kingdom. MOORE, Harry, 27 Victoria Street, Chiswick, London, S.W.2, United Kingdom.

(74) Agents : JONES, Peter, 179 Richmond Hill, Richmond, London S.W.4, United Kingdom. JONES, Peter, 179 Richmond Hill, Richmond, London S.W.4, United Kingdom. JONES, Peter, 179 Richmond Hill, Richmond, London S.W.4, United Kingdom. JONES, Peter, 179 Richmond Hill, Richmond, London S.W.4, United Kingdom. JONES, Peter, 179 Richmond Hill, Richmond, London S.W.4, United Kingdom. JONES, Peter, 179 Richmond Hill, Richmond, London S.W.4, United Kingdom. JONES, Peter, 179 Richmond Hill, Richmond, London S.W.4, United Kingdom. JONES, Peter, 179 Richmond Hill, Richmond, London S.W.4, United Kingdom. JONES, Peter, 179 Richmond Hill, Richmond, London S.W.4, United Kingdom. JONES, Peter, 179 Richmond Hill, Richmond, London S.W.4, United Kingdom.

(81) Designated States : AG, BR, CA, CH (regional patent), CS (inventor's certificate), DT (regional patent), ET, FR (regional patent), GB (regional patent), HU, IT (regional patent), JA (utility model), SU (inventor's certificate), SW (regional patent), US.

(54) Title : CUTTING SECTION FOR CHAIN SAWS



(57) Abstract

A chain saw device, comprising a cutting tooth having a planar base plate (1) with an aperture (2) therein for attachment to a power-driven chain. A pilot block (11) depends from the leading edge of the plate and a cylindrical member (6) from the trailing edge of the plate with its longitudinal axis inclined upwardly and rearwardly. The cylindrical member has a sharpened, arcuate, forward edge (9) for cutting a kerf. A bore (7) extends through the cylindrical member for passage of chips therethrough and a heel portion (10) follows the forward cutting edge (9) for engaging and finishing the kerf. The chain saw device, while particularly designed for use in cutting wood, is also adapted for cutting minerals and other materials.

[Annex E follows]

SAMPLE PUBLISHED INTERNATIONAL APPLICATION, IN ENGLISH

This Annex contains a sample of a published international application, prepared in accordance with the principles set out in the Guidelines. Since this sample illustrates, among other things, the numbering system proposed for the pages of the pamphlet, the pages of the sample have been numbered according to this numbering system. For the sake of clarity, the current page numbering used throughout the present document has not been applied to this Annex.

It should be noted that the sample application used in this Annex, being one of those applications used in the framework of the simulated test program of the PCT procedure, contains certain defects (e.g., headings which do not comply with Section 204 of the Administrative Instructions). One of these defects (disparaging statement) has been omitted by the International Bureau in accordance with Article 21(6) and PCT Rule 9.1(iii).

DEMANDE INTERNATIONALE PUBLIEE, EN LANGUE ANGLAISE

La présente annexe contient un spécimen de demande internationale publiée, préparé selon les principes exposés dans les directives. Ce spécimen illustrant, entre autres, le système proposé pour la pagination de la brochure, les pages de ce spécimen ont été numérotées conformément à la pagination prévue. Pour plus de clarté, la pagination utilisée dans le présent document n'a pas été appliquée à cette annexe.

Il convient de noter que la demande utilisée à titre de spécimen dans la présente annexe, étant l'une de celles qui ont servi pour le programme mental de simulation des procédures du PCT, elle présente certaines irrégularités (par exemple des titres qui ne répondent pas aux prescriptions de l'instruction administrative 204). L'une de ces irrégularités (déclaration dénigrante) a été omise par le Bureau international en application de l'article 21.6) et de la règle 9.1.iii) du PCT.



INTERNATIONAL APPLICATION PUBLISHED UNDER THE PATENT COOPERATION TREATY (PCT)

<p>(51) International Patent Classification : B23K 37/04</p>	<p>A1</p>	<p>(11) International Publication Number : WO 75/01235 (43) International Publication Date : 14 July 1975</p>
<p>(21) Int. Appl. Number : PCT/JA75/00002 (22) Int. Filing Date : 14 January 1975 (31) Priority Appl. Number : 618,901 (32) Priority Date : 20 January 1974 (33) Priority Country : US</p> <p>(60) Parent Appl. or Grant (63) Related by continuation : Appl. No 543,210 Filed on 16 December 1973 (US).</p> <p>Published with : INTERNATIONAL SEARCH REPORT</p>		<p>(71) Applicants : TUROWSKI, Mary, 1600 S.Eads Street, Arlington, Virginia, 22202, United States of America. TUROWSKI, Mary, 1600 S.Eads Street, Arlington, Virginia, 22202, United States of America. TUROWSKI, Mary, 1600 S.Eads Street, Arlington, Virginia, 22202, United States of America.</p> <p>(72) Inventors : Applicants are also the inventors.</p> <p>(81) Designated States : CH (regional patent), DT (regional patent), GB (regional patent), JA (utility model), OE (regional patent), SU (inventor's certificate), SW (regional patent), US.</p>
<p>(54) Title : A SELF-LOCKING PIPE CLAMP FOR FIELD WELDING</p>		
<p>(57) Abstract</p> <p>The object of the invention is to provide a self-locking welding clamp which makes two pipes be in axial alignment.</p> <p>Said clamp has a pair of clamping members (1 and 2) pivotally connected to each other at intermediate portions by means of a bar (3) and an enlarged portion (4) of the member (2), and a lever (8) pivotally connected to the upper end (10) of the member (1) and also connected at an intermediate portion by means of two links (11) to the upper end (12) of the other member (2).</p> <p>The other object is to provide the method of welding two pipes by using said clamp where the clamp is placed over the pipes (13 and 14) then is actuated to grip them. After that the pipes are tack-welded at several points around the circumferences. The weld around the circumferences of the joint is completed after removing the clamp.</p>		

A Self-locking Pipe Clamp for Field Welding

Technical Field

My invention relates to pipe clamps and particularly to clamps that are employed in connection with the field welding of pipes of pipe lines for oil, gas or
5 water.

In the operation of welding pipes and particularly by means of butt welds, it is very essential that the pipes be in axial alignment in order that the ends may be in proper position for a weld of uniform width
10 and depth. Such precautions are necessary to prevent imperfect welds such as may be caused by misalignment of the pipe or variations in the distance between adjacent surfaces to be welded.

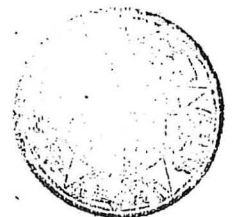
15 Background Art

4,567,891

The prior art, U.S. Patent No. $\sqrt{\quad}$, provided for a pair of clamping members wherein one clamping member has a slot therein for inserting the other clamping member there through without a self-locking device.
20 Pressure must be constantly applied to the pair of clamping members in order to hold the pipe firmly while welding.

[Part .. 23 words .. omitted by the International Bureau under Article 21(6) and PCT Rule 9.1(iii)]

25 In accordance with the present invention, I provide a pipe clamp consisting of a unitary mechanism having



WO 75/01235

relatively movable parts that may be actuated to open position to receive pipes therein and which may be locked in their closed or clamping positions. The actuating means for the clamping members positively
5 open the latter and also lock them in their clamping positions.

My improved clamp possesses the advantage that the pivotal connections of the clamping members are adjacent the actuating mechanism and all of the clamp
10 may be placed in position and operated entirely from the upper and therefore easily accessible portions of the clamp.

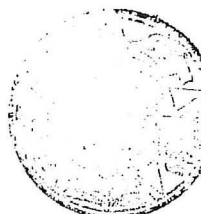
The clamp members are positively actuated to their open and their closed or clamping positions and they
15 are positively locked in clamping position by means of the toggle mechanism. The latter feature is of particular advantage and is a distinct improvement over certain prior art devices in which it has been
20 necessary for the operator to hold the actuating lever in clamping position until the welding operation has proceeded to a point at which the clamp might be released.

Brief Description of Drawings

25 The details of my invention will be described in connection with the accompanying drawing, in which Fig. 1 is a view in side elevation with the clamping members in their extended or open positions; Fig. 2 is a perspective view of the pipe clamp in engagement
30 with the end portions of two aligned pipes.

Disclosure

Referring to the drawing, a pipe clamp constructed in accordance with my invention comprises two clamping



WO 75/01235

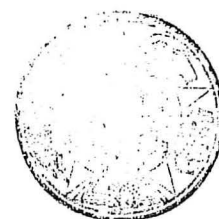
members 1 and 2 that are pivotally connected at intermediate portions by means of a bar 3 that is integral with the member 1 and is pivotally connected to an enlarged portion 4 of the member 2. The members 1 and 2 are oppositely curved below their pivotal connection in order that they may enclose opposite sides of pipes that may be therebetween.

The curved member 1 is provided with two transversely extending members 5 and 6 that are of angular cross-section for engaging the sides of aligned pipes. The member 2 is provided with a similar transverse member 7, the members 5, 6 and 7 extending along lines that are equally angularly spaced from each other when the clamp is in operating position.

The upper ends of the clamping members 1 and 2 are connected by a lever 8 that is pivotally connected to an extension 10 integral with the clamping member 1 and which is connected at an intermediate portion by means of two links 11 to an extension 12 integral with the clamping member 2.

When the lever 8 is in its uppermost position as shown in Fig. 1 the upper ends of the clamping members 1 and 2 are drawn together by the lever 8 and the links 11 to extend the curved portions of the clamping members 1 and 2 to their fully open positions when it is desired to place the clamp over the ends of aligned pipes for field welding.

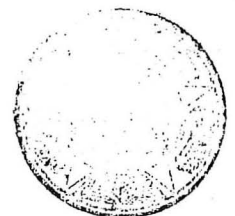
In the application of my improved clamp, sections of pipes are placed along the side of a ditch in which they are to be laid and the sections to be welded are usually mounted upon suitable supports in order that the welding operation may occur at a convenient distance above the ground.



The pipes to be welded are placed end-to-end, closely adjacent and in substantial alignment. The clamp in its open position, as illustrated in Fig. 1, is then placed over the pipes to enclose them at their ends in such manner that the beveled edges thereof are exposed. The lever 8 is then actuated downwardly to cause the links 11 to separate the projections 10 and 12 of the clamping members 1 and 2 to thereby cause the latter to tightly grip the pipes 13 and 14 at their adjacent ends by means of the transverse members 5, 6 and 7. The lever 8 and the links 11 constitute a toggle which is then in its locked position.

The ends of the pipes and the clamp then occupy the positions shown in Fig. 2. Since the members 5, 6 and 7 extend along the sides of the pipes and the members 5 and 7 are less than 180° from each other, the pipes are tightly held in axial alignment and the edges of the ends thereof are in accurate position for welding. Also if the pipes have been somewhat deformed from a circular cross-section the clamp will operate to correct the shape of the pipe for welding purposes.

While the pipes are held in this position by the clamp, the abutting or slightly spaced edges are temporarily welded or "tack" welded at several points around the circumference of the joint in order to hold them securely in position for the permanent weld after the clamp has been removed. The welding seam is then completed, the pipes being rolled on the horses as may be necessary to expose the entire circumference of the joint at the ends of the pipes, and the operation is thereby completed.



The foregoing and other advantages are obvious to those skilled in the art of welding pipes and the manipulation of clamps therefor.

CLAIMS

1. A pipe clamp assembly comprising a pair of opposed clamping members, each having a curved, inwardly facing surface, the clamping members being adapted to be positioned around a pipe to be clamped, the clamping members being adapted to be secured together to clamp the pipe.

2. A pipe clamp assembly as in claim 1, wherein the clamping members are adapted to be secured together by a locking mechanism.

3. A pipe clamp assembly as in claim 1, wherein the clamping members are adapted to be secured together by a screw and nut mechanism.

4. A pipe clamp assembly as in claim 1, wherein the clamping members are adapted to be secured together by a bolt and nut mechanism.

5. A pipe clamp assembly as in claim 1, wherein the clamping members are adapted to be secured together by a pin and nut mechanism.

6. A pipe clamp assembly as in claim 1, wherein the clamping members are adapted to be secured together by a wedge and nut mechanism.

7. A pipe clamp assembly as in claim 1, wherein the clamping members are adapted to be secured together by a bolt and wedge mechanism.

8. A pipe clamp assembly as in claim 1, wherein the clamping members are adapted to be secured together by a pin and wedge mechanism.

9. A pipe clamp assembly as in claim 1, wherein the clamping members are adapted to be secured together by a wedge and wedge mechanism.

10. A pipe clamp assembly as in claim 1, wherein the clamping members are adapted to be secured together by a bolt and wedge mechanism.

11. A pipe clamp assembly as in claim 1, wherein the clamping members are adapted to be secured together by a pin and wedge mechanism.

12. A pipe clamp assembly as in claim 1, wherein the clamping members are adapted to be secured together by a wedge and wedge mechanism.

13. A pipe clamp assembly as in claim 1, wherein the clamping members are adapted to be secured together by a bolt and wedge mechanism.

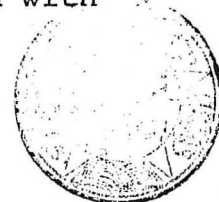
14. A pipe clamp assembly as in claim 1, wherein the clamping members are adapted to be secured together by a pin and wedge mechanism.

15. A pipe clamp assembly as in claim 1, wherein the clamping members are adapted to be secured together by a wedge and wedge mechanism.



Claims

1. A pipe clamp comprising: two oppositely curved members hingedly connected at the adjoint ends, each of said members being provided with means comprising at least one transverse element for
5 engaging the sides of two aligned pipes, each of said members having portions projecting beyond their hinge connection and a lever pivotally connected to one of the projecting portions, said lever having a toggle pivotally connected
10 to the other projecting portion.
2. The pipe clamp of claim 1 wherein one of said members is provided with at least two transverse elements.
- 15 3. The pipe clamp of claim 1 or 2 wherein said toggle consists of two toggle links.
4. The pipe clamp of claim 1, 2 or 3 wherein said
20 transverse elements have an angular cross-section as illustrated in figure 1 of the drawings.
- 25 5. A pipe clamp having two oppositely curved members hingedly connected at adjacent ends of the curved portions, each of said members being provided with



WO 75/01235

- means for engaging the sides of two aligned pipes at spaced intervals wherein the improvement comprises: providing each of said members with portions projecting beyond their hinge connection and a lever pivotally connected to one of the projected portions, said lever having a toggle pivotally connected to the other projecting portion.
- 5
- 10 6. The method of welding two pipes in end-to-end alignment comprising, placing a clamp over the pipes, actuating the clamp to grip the pipes, tack welding the pipes at several points around the circumference, removing the clamp and completing the weld around the circumference of the
- 15 joint.



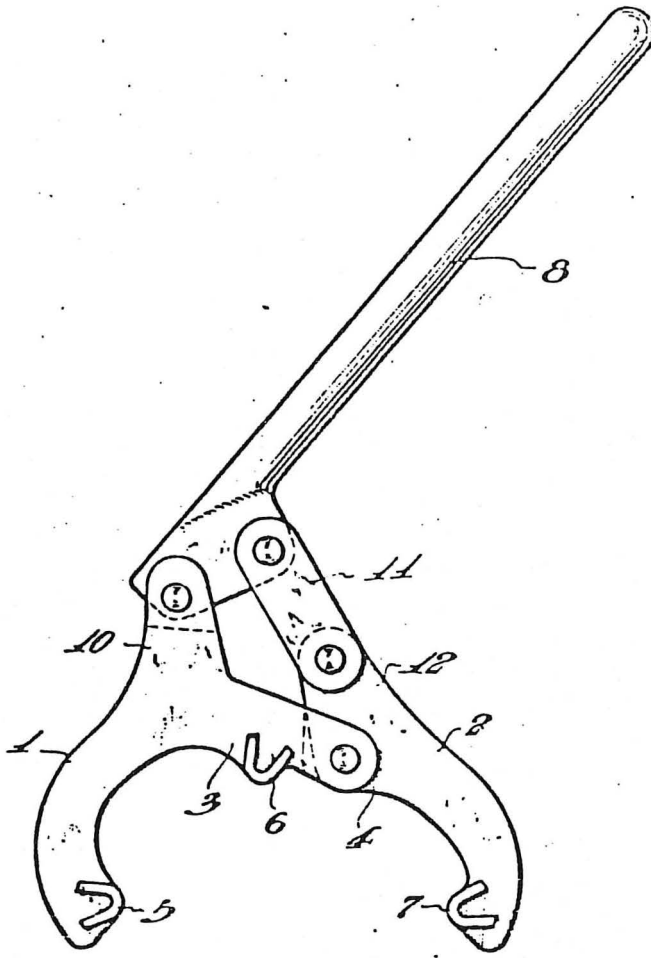


Fig. 1

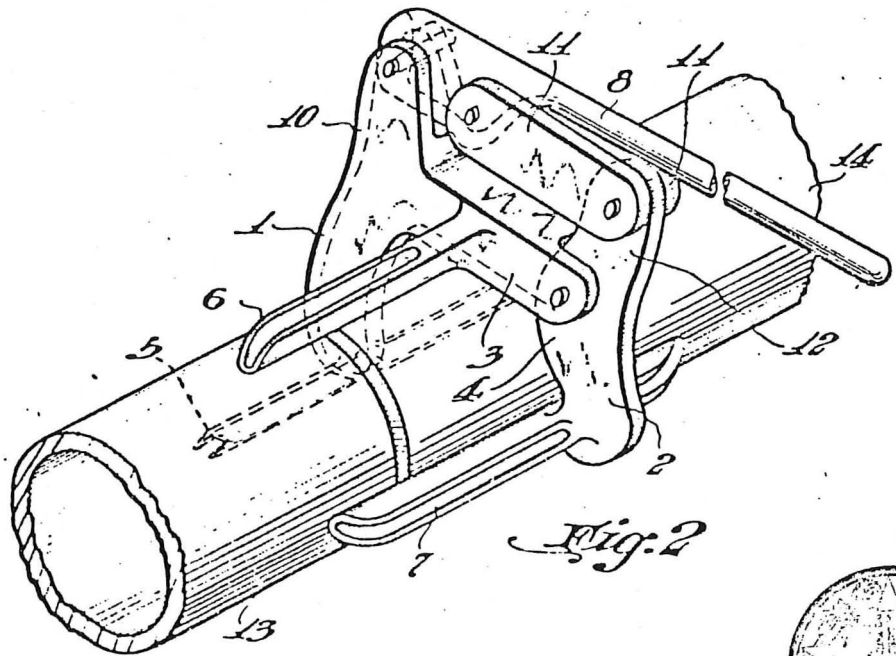


Fig. 2



WO 75/01235

PATENT COOPERATION TREATY
INTERNATIONAL SEARCH REPORT

IDENTIFICATION OF INTERNATIONAL APPLICATION	
International Application No. ¹ <p style="text-align: center;">PCT/JA76/C0002</p>	International Filing Date ¹ <p style="text-align: center;">14 January 1975</p>
Receiving Office ¹ <p style="text-align: center;">RC/JA</p>	Priority Date Claimed ² <p style="text-align: center;">20 January 1974</p>
Applicant ¹ <p style="text-align: center;">Turowski, Mary</p>	

I. CLASSIFICATION OF SUBJECT MATTER (if several classification symbols apply, indicate all) ³
According to International Patent Classification (IPC) or to both National Classification and IPC <p style="text-align: center;">B23K 37/04</p>

II. FIELDS SEARCHED	
Minimum Documentation Searched ⁴	
Classification System	Classification Symbols
IPC JPC	B23K 37/00, 37/04, B25B 5/12, 5/00, 13/40 12B1, 10, 106.3, 2, 27 76B5, 62, 64
Patent Documentation Searched other than Minimum Documentation ⁵	
Utility Models, Japan, 1900-1976, Japanese Patents, Japan, 1900-1919, Japanese	

III. TITLE, ABSTRACT AND FIGURE OF DRAWING
1. The following indicated items are approved as submitted by the applicant: ⁶ <input type="checkbox"/> Title. <input type="checkbox"/> Abstract.
2. The texts established by this International Searching Authority of the following indicated items are set forth on a supplemental sheet: ⁶ <input type="checkbox"/> Title. <input checked="" type="checkbox"/> Abstract.
3. <input type="checkbox"/> This report is incomplete as far as the abstract is concerned as the time limit for comments by the applicant on the draft prepared by this International Searching Authority has not expired. ⁷
4. The figure of the drawings indicated below is to be published with the abstract: ⁸ <input type="checkbox"/> Figure No. as suggested by the applicant. ⁹ Figure No. <u>2</u> because: <input type="checkbox"/> applicant failed to suggest a figure. ¹⁰ <input checked="" type="checkbox"/> this figure better characterizes the invention. ¹⁰

IV. UNITY OF INVENTION IS LACKING¹¹ (Observations on supplemental sheet)

V. CERTAIN CLAIMS WERE FOUND UNSEARCHABLE¹² (Observations on supplemental sheet)

VI. DOCUMENTS CONSIDERED TO BE RELEVANT ¹⁵		Page ..2
Category *	Citation of Document, ¹⁷ with Indication, where appropriate, of the relevant passages ¹⁸	Relevant to Claim No. ¹⁹
G	SU, A 299322 Published 1971 July 27	1
G	US, A 3400272 Published 1968 August 10	1
G	US, A 3619891 Published 1971 November 16	1
G	SU, A 401460 Published 1974 March 2	1
X	JA, Y 34-6199 Published 1959 April 25	1, 3, 5
X	JA, A 50-154134 Published 1975 December 24	1
G	JA, U 50-77419 Published 1975 July 5	1
	JA, Y 43-30029 Published 1968 December 9	2
	JA, A 49-91935 Published 1974 September 3, see page 1 column 2 lines 11 to 14	2
G	N Welding Design & Fabrication, Volume 48, no. 6 issued 1975 July (Guildford Surrey GB), see the figure on page 58.	1
G	N Welding Design & Fabrication, Volume 78, no. 12 issued 1975 December (Guildford Surrey GB), see the figure on page 76.	1

* Categories of cited documents: ¹⁶ "X" (document of particular relevance); "O" (document referring to an oral disclosure, use, exhibition, or other means); "E" (earlier document but published later than the international filing date); "G" (document defining the general state of the art); "P" (document published prior to the international filing date but later than the priority date claimed).

VII. CERTIFICATION	
Date of the Actual Completion of the International Search ²	Date of Mailing of this Search Report ²
1975 April 19	
International Searching Authority ¹	Signature of Authorized Officer ²⁰
ISA/JA	<i>Tomoyasu Nagasaka</i>

SAMPLE PUBLISHED INTERNATIONAL APPLICATION, IN GERMAN

This Annex contains a sample of a published international application, prepared in accordance with the principles set out in the Guidelines. Since this sample illustrates, among other things, the numbering system proposed for the pages of the pamphlet, the pages of the sample have been numbered according to this numbering system. For the sake of clarity, the current page numbering used throughout the present document has not been applied to this Annex.

It should be noted that the sample application used in this Annex, being an application prepared for national filing only, does not contain headings as required by Section 204 of the Administrative Instructions; neither does it contain an international search report.

DEMANDE INTERNATIONALE PUBLIEE, EN LANGUE ALLEMANDE

La présente annexe contient un spécimen de demande internationale publiée, préparé selon les principes exposés dans les directives. Ce spécimen illustrant, entre autres, le système proposé pour la pagination de la brochure, les pages de ce spécimen ont été numérotées conformément à la pagination prévue. Pour plus de clarté, la pagination utilisée dans le présent document n'a pas été appliquée à cette annexe.

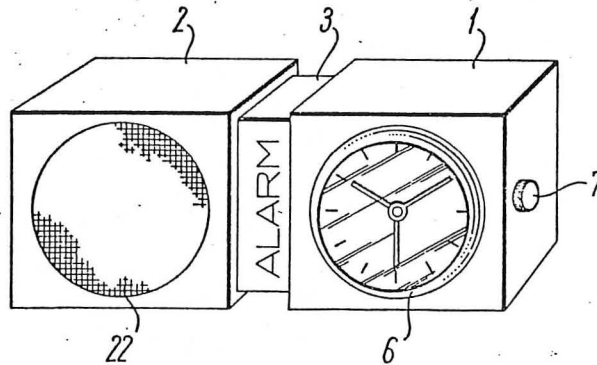
Il convient de noter que la demande utilisée à titre de spécimen dans la présente annexe, étant une demande élaborée exclusivement pour un dépôt national, ne contient pas de titres répondant aux prescriptions de l'instruction administrative 204; elle ne contient pas non plus de rapport de recherche internationale.



INTERNATIONALE ANMELDUNG VERÖFFENTLICHT NACH DEM VERTRAG ÜBER DIE
INTERNATIONALE ZUSAMMENARBEIT AUF DEM GEBIET DES PATENTWESENS (PCT)

<p>(51) Internationale Patentklassifikation: G04C 21/34</p>	<p>A2</p>	<p>(11) Internationale Veröffentlichungsnummer: WO 73/02678</p> <p>(43) Internationales Veröffentlichungsdatum : 19 August 1973</p>
<p>(21) Int. Anmeldenummer : PCT/CH/73/00014</p> <p>(22) Int. Anmeldedatum : 19 Januar 1973</p> <p>(31) Prioritätsanmeldenummer : 2207690</p> <p>(32) Prioritätsdatum : 18 Februar 1972</p> <p>(33) Prioritätsland : DT</p> <p>(71) Anmelder : Firma Müller-Schlenker, Schwenningen a.N. (Bundesrepublik Deutschland)</p>	<p>(72) Erfinder : Werner Müller und Paul Schmalz, Schwenningen a.N. (Bundesrepublik Deutschland)</p> <p>(74) Anwalt : Fritz Isler, Zürich</p> <p>(81) Bestimmungsstaaten : AG, BR, CA, CH (regionales Patent), CS (Erfinderschein), DT (regionales Patent), ET, FR (regionales Patent), GB (regionales Patent), HU, IT (regionales Patent), JA (Gebrauchsmuster), SU (Erfinderschein), SW (regionales Patent), US.</p>	

(54) Titel: BATTERIE-KLEINWECKER



(57) Abstract

Battery alarm clock showing clearly whether the alarm device is operating or not. The frame consists of two parts (1, 2), the first, containing the clock (6) and the second, the alarm mechanism (22). A wheel (7) is provided for the setting of the time of the alarm. The two frames are linked together in a removable way. In one of the positions where the two parts are overlapping the two parts are locked together and the alarm is disconnected. In the second position, as indicated in the drawing, the alarm is operating as clearly indicated by the signal "alarm" visibly located on the middle part (3).

(57) Zusammenfassung

Batterie-Kleinwecker, bei welchem leicht ersichtlich ist, ob die Alarmanrichtung in Betrieb ist oder nicht. Hierzu besteht das Gehäuse aus zwei Teilen (1, 2), deren erster die Uhr (6) und deren zweiter den akustischen Alarmgeber (22) enthält. Ein Rad (7) dient zum Einstellen des Weckzeitpunktes. Die beiden Gehäuseteile sind gegeneinander längsverschieblich gelagert. In einer ersten ineinandergeschachtelten Stellung rasten die beiden Teile ein, und der Alarmgeber ist ausser Betrieb. In einer zweiten, in der Figur dargestellten Stellung, ist der Alarmgeber eingeschaltet, was durch die auf dem Mittelteil (3) sichtbare Angabe "ALARM" kenntlich gemacht wird.

Die Erfindung bezieht sich auf einen Batterie-Kleinwecker mit zusammen mit dem Uhrwerk in einem Gehäuse angeordnetem elektrischem Alarmgeber, bei welchem das Gehäuse zwei mit ihren Enden ineinandergeführte und geradlinig gegeneinander verschiebbare Gehäuseteile aufweist.

Es sind Batterie-Kleinwecker bis hinab zur Grösse einer Armbanduhr bekannt, bei denen zusammen mit dem Uhrwerk in einem Gehäuse ein elektrischer Alarmgeber, einschliesslich der zum Betrieb des Alarmgebers benötigten Batterie, untergebracht ist. Bei den meisten dieser bekannten Kleinwecker wird der Alarmgeber von einem elektrischen Summer gebildet, der neben dem Uhrwerk in dem Gehäuse angeordnet ist (DT-OS 1 673 697, DT-OS 1 929 880, DT-OS 2 011 923, FR-PS 2 059 734). Es ist auch bekannt, eine Weckeruhr mit einem als Alarmgeber dienenden Radiogerät zu kombinieren. Bei einer aus der US-PS 3 361 974 bekannten Anordnung ist die Uhr mit dem Radiogerät fest verbunden, und es bildet das Radiogerät den einzigen Alarmgeber. Aus der US-PS 2 771 560 ist die Kombination einer Schaltuhr mit einem Radiogerät bekannt, bei der Schaltuhr und Radiogerät selbständige, voneinander trennbare Einheiten mit eigenem Gehäuse sind. Die Schaltuhr weist keinen eigenen Alarmgeber auf. Der aus der DT-OS 2 011 923 bekannte Batterie-Kleinwecker weist ausser einem in seinem Gehäuse angeordneten elektrischen Alarmgeber Kontakte auf, die eine Verbindung zu einem kleinen Radiogerät zulassen.



Auch hier sind beide Geräte unabhängig voneinander benutzbar. Ausser dem eigentlichen, von Hand betätigbaren Ein- und Ausschalter weist der Kleinwecker einen zusätzlichen Schalter auf, der ein Abtrennen des im Gehäuse des Kleinweckers angeordneten Alarmgebers bewirkt, wenn die Verbindung zu dem Radiogerät hergestellt ist.

Endlich ist aus der DT-AS 1 548 140 eine mechanische Uhr mit Läutwerk bekannt, die eine gefederte Bodenklappe aufweist. Diese Bodenklappe steht mit einem Druckschalter in Wirkverbindung, der das Schliessen eines Stromkreises bewirkt, wenn auf das Uhrengehäuse ein Druck ausgeübt und dadurch der obere Gehäuseteil der Bodenklappe genähert wird. Dieser Stromkreis dient zum Einschalten einer Lichtquelle zum Beleuchten des Zifferblattes der mechanischen Uhr.

Allen bekannten Batterie-Kleinweckern mit eingebautem elektrischem Alarmgeber ist gemeinsam, dass sie zum Ein- und Ausschalten des Summers einen Stellknopf aufweisen, der durch Verschieben, Verdrehen oder Eindrücken das Ein- oder Ausschalten des Alarmgebers ermöglicht. Die Anwendung eines solchen Stellknopfes hat den Nachteil, dass es sich um ein vorstehendes Teil handelt das bei Kleinweckern der beschriebenen Art störender ist als bei normalen Weckeruhren, weil solche Kleinwecker dazu bestimmt sind, dass sie der Benutzer mit sich herumträgt, so dass die Gefahr erhöht ist, dass man mit diesem Stellknopf irgendwo hängenbleibt. Da dieser Knopf entsprechend der Grösse der Uhr selbst geringe Abmessungen hat und dementsprechend empfindlich ist, kann ein Hängenbleiben an dem Schaltknopf leicht zu einer Beschädigung der Weckeruhr führen. Ausserdem besteht die Gefahr, dass ein auf Alarmbereitschaft eingestellter Wecker ungewollt abgeschaltet



wird, so dass er nicht zu der gewünschten Zeit den Alarm auslöst, was unter Umständen erhebliche Nachteile für den Benutzer zur Folge haben kann. Endlich ist ein sehr kleiner Schalter häufig auch nur
5 sehr schlecht zu handhaben. Es ist aber beispielsweise häufig erwünscht, dass der Wecker beim Auslösen des Alarmes durch einen einfachen Handgriff sehr schnell abgeschaltet werden kann, damit das Alarmsignal keine Störungen verursacht und ausserdem
10 die bei sehr kleinen Weckeruhren notwendig geringe Kapazität der Batterie möglichst geschont wird.

Ein weiteres Problem bei solchen Batterie-Kleinweckern besteht in dem Problem der Unterbringung der Batterie, für die ein von aussen zugänglicher Raum
15 innerhalb des Gehäuses vorgesehen werden muss und die Anordnung des Schalters für den elektrischen Alarmgeber, für den besondere Kontakte und bewegliche Betätigungsglieder vorgesehen werden müssen. Die Anordnung und Unterbringung dieser Einrichtungen erfordert erheblichen
20 Platz und einen erheblichen Aufwand.

Demgemäss liegt der Erfindung die Aufgabe zugrunde, einen Batterie-Kleinwecker der eingangs genannten Art zu schaffen, bei dem durch eine in ihren technischen Wirkungen vorteilhafte Kombination von Merkmalen eine robuste und gut zu handhabende Einrichtung zum Ein- und Ausschalten des Alarmgebers vorhanden ist als auch ein sehr einfacher Aufbau erzielt wird, der zugleich eine gute und einfache Unterbringung der Batterie ermöglicht.

30 Diese Aufgabe wird nach der Erfindung dadurch gelöst, dass die genannten Gehäuseteile aus einer ersten Stellung, in welche sie bis zu einem Anschlag ineinandergeschoben sind, in eine zweite, gerastete Stellung ausziehbar sind, dass in den
35 Gehäuseteilen, sich in deren Verschieberichtung erstreckende, im Stromkreis des Alarmgebers



liegende Blattfedern und Stromschienen angeordnet sind,
die, bei Einnahme der genannten zweiten Stellung, mit
ihren Enden federnd aneinander anliegen, und die, bei
Einnahme der genannten ersten Stellung, voneinander ge-
5 trennt sind, und dass ein aus einer Stromschiene und
einer Blattfeder bestehendes Kontaktpaar ineinander-
greifende Abschnitte aufweist, die eine Rast für die
zweite Stellung der Gehäuseteile und zugleich eine lös-
bare Sperre gegen ein Trennen der beiden Gehäuseteile
10 bilden.

Der erfindungsgemäße Batterie-Kleinwecker weist also
keinen besonderen Stellknopf zum Ein- und Ausschalten
des Alarmgebers auf, der nur schlecht zu handhaben und
ausserdem empfindlich ist, sondern es besteht sein
15 Gehäuse aus zwei Teilen, die zum Ein- und Ausschalten
des Alarmgebers gegeneinander verschiebbar sind. Diese
Gehäuseteile sind gut erfassbar und lassen durch ihre
Stellung einwandfrei erkennen, ob der Alarmgeber einge-
schaltet ist oder nicht. Daher ist die Gefahr, dass
20 der Kleinwecker ungewollt ein- oder ausgeschaltet ist,
auf ein Minimum reduziert.

Die Verwendung von im Stromkreis des Alarmgebers lie-
genden Blattfedern und Stromschienen macht es weiterhin
möglich, die ohnehin zur Herstellung des Stromkreises
25 erforderlichen Stromwege zur Bildung des Schalters aus-
zunutzen, der zum Ein- und Ausschalten des Alarmgebers
dient. Besondere Schalter, die zusätzliche Kosten verur-
sachen und auch einen zusätzlichen Platz in Anspruch
nehmen, werden auf diese Weise vermieden.

Die Anwendung von Stromschienen und Blattfedern hat
den weiteren besonderen Vorteil, dass sie ohne Anwendung
zusätzlicher Mittel unmittelbar als Rastglieder für die
verschiedenen möglichen Stellungen der Gehäuseteile, zu-
einander und darüber hinaus als lösbare Sperre gegen
30 ein Trennen der beiden Gehäuseteile benutzt werden können.
Die lösbare Sperre ermöglicht auf einfache Weise ein



Öffnen des Gehäuses durch Trennen beider Gehäuseteile.
Hierdurch ist das Auswechseln der zum Betrieb des Klein-
5 weckers benötigten Batterie möglich, ohne das besondere
verschliessbare Abteile des Gehäuses vorgesehen werden
müssten.

Bei einer besonders einfachen und zugleich besonders
betriebs sichereren Ausführungsform liegt eine der Blatt-
10 federn in der definierten Stellung der Gehäuseteile mit
ihrem Ende auf einem der zugeordneten Stromschiene be-
nachbarten, elektrisch isolierten Teil auf. Dieses
elektrisch isolierte Teil kann dann in besonders ein-
facher Weise von einem Abschnitt des aus Kunststoff be-
15 stehenden Gehäuses gebildet werden, an dessen Innenseite
die Blattfedern und Stromschiene unmittelbar befestigt
sind.

Der erfindungsgemässe Kleinwecker wird zweckmässig so
ausgebildet, dass die Gehäuseteile in der definierten
20 Stellung, in der also der Alarmgeber ausgeschaltet ist,
bis zu einem Anschlag ineinandergeschoben und aus dieser
Stellung in eine zweite, gerastete Stellung ausziehbar
sind, in der dann der Alarmgeber betriebsbereit ist, so
dass er von dem vom Uhrwerk zu einem vorwählbaren Zeit-
25 punkt betätigbaren Schalter eingeschaltet werden kann.
Dabei kann dann auf dem bei dem Ausziehen freiwerdenden
Gehäuseabschnitt eine die Alarmbereitschaft des Klein-
weckers anzeigende Markierung angebracht sein. Diese
Markierung verschwindet also, wenn die beiden Gehäuse-
30 teile bei abgeschaltetem Alarmgeber zusammengeschoben
sind.

Bei einem Kleinwecker nach der Erfindung ist es
zweckmässig, in dem einen Gehäuseteil das Uhrwerk und
die zum Betrieb des Alarmgebers dienende Batterie und
35 in dem anderen Gehäuseteil den Alarmgeber unterzubring-
en. Es besteht jedoch auch die Möglichkeit, in einem
Gehäuseteil den Signalgeber und die Batterie oder sogar



alle Teile unterzubringen, wenn dies zweckmässiger erscheint, und das zweite Gehäuseteil im wesentlichen als ein das erste Gehäuseteil mehr oder weniger haubenartig abdeckenden Deckel auszubilden.

5 Endlich kann bei besonderen Ausführungsformen der Erfindung als Alarmgeber nicht nur ein Summer, sondern beispielsweise auch ein miniaturisierter Tonfrequenzgenerator in Verbindung mit einem kleinen Schallgeber oder sogar ein miniaturisiertes Radiogerät verwendet werden.

10 Weitere Einzelheiten und Ausgestaltungen der Erfindung ergeben sich aus der folgenden Beschreibung des in der Zeichnung dargestellten Ausführungsbeispielen. Die der Beschreibung und der Zeichnung zu entnehmenden Merkmale können bei anderen Ausführungsformen der Erfindung ein-
15 zeln für sich oder zu mehreren in beliebiger Kombination Anwendung finden. Es zeigen:

Fig. 1 eine perspektivische Ansicht eines Kleinweckers nach der Erfindung,

20 Fig. 2 einen Schnitt längs der Linie II-II durch den Kleinwecker nach Fig. 1 und

Fig. 3 einen Schnitt längs der Linie III-III durch die Anordnung nach Fig. 2.

Der in der Zeichnung dargestellte Kleinwecker weist ein Gehäuse auf, das aus zwei Teilen 1 und 2 besteht, von
25 denen jedes ein an einem Ende offenes, rechteckiges Kästchen bildet. Das erste Gehäuseteil 1 weist an seinem offenen Ende einen Abschnitt 3 mit verminderten Aussenabmessungen auf, der als Schiebeführung in einen Abschnitt 4 des Gehäuseteiles 2 eingreift, der vergrösserte Innenabmessungen aufweist. Sind die beiden Gehäuseteile voll-
30 ständig zusammengeschoben, schlägt das zweite Gehäuseteile 2 mit seinem Ende an der Schulter 5 an, die sich am Übergang des ersten Gehäuseteiles 1 zu dessen Abschnitt 3 mit verminderten Aussenabmessungen befindet, und es fluchten
35 sowohl die Aussenflächen als auch die Innenflächen der beiden Gehäuseteile miteinander.



In die eine Seitenwand des ersten Gehäuseteiles 1 ist eine Uhr 6 eingesetzt, bei der es sich sowohl um eine mechanisch angetriebene als auch um eine batteriebetriebene Uhr handeln kann. An der Stirnfläche des ersten Gehäuseteiles 1 befindet sich das zum Einstellen des Weckzeitpunktes und gegebenenfalls auch noch zum Stellen und/oder Aufziehen der Uhr dienende Rad 7. Ferner befindet sich in dem ersten Gehäuseteil 1 die zum Betrieb des Alarmgebers dienende Batterie 8, die an dem Boden des ersten Gehäuseteiles zwischen zwei Kontaktfedern 9 und 10 gehalten ist. Die dem Boden des ersten Gehäuseteiles 1 benachbarte Kontaktfeder 9 weist einen Arm 11 auf, der an einem an der Rückseite der Uhr 6 freiliegenden Kontakt 12 anliegt und dadurch eine leitende Verbindung zu dem in der Uhr 6 enthaltenen, von der Uhr betätigbaren Schalter 13 herstellt, der in Fig. 2 gestrichelt schematisch angedeutet ist. Dieser Schalter 13 steht über einen weiteren Kontakt 14 an der Rückseite der Uhr 6 mit dem Arm 15 einer Kontaktfeder 16 in leitender Verbindung, die an der dem Boden gegenüberliegenden Seite des ersten Gehäuseteiles angebracht ist. Da die Gehäuseteile 1 und 2 aus Kunststoff bestehen, können die Kontaktfedern unmittelbar an dem Gehäuse befestigt werden, ohne dass zusätzliche Massnahmen zur Isolation dieser Kontaktfedern erforderlich wären.

In dem zweiten Gehäuseteil 2 ist als Alarmgeber ein Summer 17 angeordnet. Wie aus Fig. 2 ersichtlich, ist dieser Summer 17 an der Innenseite der Stirnfläche des zweiten Gehäuseteiles befestigt. Mit diesem Summer stehen eine Kontaktfeder 18 und eine Stromschiene 19 in leitender Verbindung, von denen sich die Kontaktfeder am Boden des zweiten Gehäuseteiles 2 und die andere an der dem Boden gegenüberliegenden Wand entlang erstreckt. Die Kontaktfeder 18 und die Stromschiene 19 erstrecken sich ebenso wie die in dem ersten Gehäuseteil 1 angeordneten Kontaktfedern 10 und 16 in Längsrichtung der beiden



5 Gehäuseteile und damit in der Richtung, in der die beiden
Gehäuseteile gegeneinander verschiebbar sind. Ausserdem
fluchten die in den beiden Gehäuseteilen angeordneten
Kontaktfedern und Stromschienen miteinander, so dass das
abgewinkelte Ende 20 der in dem zweiten Gehäuseteil ange-
10 ordneten Kontaktfeder 18 auf dem Ende der Kontaktfeder
10 aufliegt, die am Boden des ersten Gehäuseteiles befe-
stigt und dem offenen Ende dieses Gehäuseteiles benachbart
ist und bis zum Ende dieses Gehäusesteiles reicht. Zu-
gleich liegt das dem offenen Ende des ersten Gehäuseteiles
15 zugewandte Ende der Kontaktfeder 16, die an der dem Boden
gegenüberliegenden Seite dieses Gehäuseteiles befestigt
ist, an dem abgewinkelten Ende 21 der im zweiten Gehäuse-
teil befestigten Stromschiene 19 an. In diesem Fall ist
also der den Schalter 13 und den Summer 17 enthaltende
20 Stromkreis geschlossen, so dass dann, wenn der Schalter 13
zu dem voreingestellten Zeitpunkt von der Uhr 6 geschloss-
en wird, der Summer 17 als Alarmgeber eingeschaltet wird und
ein Wecksignal erzeugt. Eine gute Schallabgabe wird
durch das in dem zweiten Gehäuseteil 2 vorgesehene Schall-
25 löch 22 erreicht, das in derjenigen Wand des zweiten Ge-
häuseteiles angebracht ist, die mit derjenigen Wand des
ersten Gehäuseteiles fluchtet, in der sich die Uhr 6 be-
findet.

Die Kontaktfeder 10 im ersten Gehäuseteil 1, mit der
30 die im zweiten Gehäuseteil angeordnete Kontaktfeder 18
zusammenwirkt, weist im Bereich ihrer Mitte eine Aus-
sparung auf, durch die ein Steg 23 hindurchragt, der auf
der Innenseite des Bodens des ersten Gehäuseteiles ange-
bracht ist. Sind die beiden Gehäuseteile abweichend
35 von der in der Zeichnung wiedergegebenen Stellung so weit
zusammengeschoben, dass das zweite Gehäuseteil an der
Schulter 5 des ersten Gehäuseteiles anstösst, kommt das
abgewinkelte Ende 20 der im zweiten Gehäuseteil angeord-
neten Blattfeder 18 auf den Steg 23 zum Aufliegen, der



über die Blattfeder 10 im ersten Gehäuseteil etwas übersteht, wodurch der den Summer 17 enthaltende Stromkreis unterbrochen ist und auch beim Schliessen des Schalters 13 keine Alarmgabe erfolgen kann. Damit ist
5 also der von dem Summer 17 gebildete Alarmgeber abgestellt.

Sowohl in der in der Zeichnung wiedergegebenen Stellung der beiden Gehäuseteile 1 und 2 als auch in der Stellung, in der die beiden Gehäuseteile aneinander anliegen, ist die Relativstellung der beiden Gehäuseteile zueinander
10 dadurch gesichert, dass das abgewinkelte Ende 21 der im zweiten Gehäuseteil 2 angeordneten Stromschiene 19 an den Flanken eines Vorsprungs 24 anliegt, der an der mit der Stromschiene 19 in Eingriff stehenden Kontaktfeder 16 angebracht ist. Ausserdem weist auch diese Kontaktfeder
15 16 ein abgewinkeltes Ende 25 auf, welches das abgewinkelte Ende 21 der Stromschiene 19 hintergreift und dadurch ein vollständiges Auseinanderziehen der beiden Gehäuseteile 1 und 2 verhindert. In der der Kontaktfeder 16 benachbarten Wand des ersten Gehäuseteiles ist im Bereich
20 des Abschnittes 3 mit den verminderten Aussenabmessungen ein Loch 26 vorgesehen, das der Kontaktfeder 26 gegenübersteht, so dass durch Einführen eines Stiftes durch das Loch 26 die Kontaktfeder 16 so weit nach innen auslenkbar ist, dass ihr abgewinkeltes Ende 25 das abgewinkelte Ende 21 der Stromschiene 19 freigibt und dann, beispielsweise zum Auswechseln der Batterie 8, die beiden Gehäuseteile voneinander getrennt werden können. Auf der Aussenseite des Abschnittes 3 mit verminderten Aussenabmessungen des ersten Gehäuseteiles, die bei zusammengesetzten Gehäuseteilen abgedeckt ist und nur dann
30 freiliegt, wenn die beiden Gehäuseteile die in der Zeichnung wiedergegebene Lage einnehmen, bei der der Alarmstromkreis nicht unterbrochen und daher der Alarmgeber betriebsbereit ist, ist die Aufschrift "ALARM"



aufgebracht, um die Alarmbereitschaft des Kleinweckers anzuzeigen. Bei zusammengeschobenen Gehäuseteilen, wenn der Signalgeber abgestellt ist, ist diese Aufschrift nicht sichtbar.

5 Die vorstehende Beschreibung einer Ausführungsform der Erfindung macht deutlich, dass durch die Erfindung ein Kleinwecker geschaffen wird, der einen sehr gut zu handhabenden Absteller für den Signalgeber aufweist und auch eine deutliche Anzeige dafür liefert, ob der Alarm-
10 geber eingeschaltet ist oder nicht. Daher bietet dieser Kleinwecker eine sehr hohe Sicherheit dafür, dass der gewünschte Betriebszustand auch tatsächlich vorliegt. Dabei versteht es sich, dass die Erfindung nicht auf die
15 dargestellte Ausführungsform der Erfindung beschränkt ist, sondern Abweichungen davon möglich sind, ohne den Rahmen der Erfindung zu verlassen. So wäre es beispiels-
weise möglich, in dem ersten Gehäuseteil anstelle der Batterie den Signalgeber anzuordnen und statt dessen die
20 Batterie in dem zweiten Gehäuseteil unterzubringen. Auch wäre es denkbar, die Uhr, den Signalgeber und die Batterie in dem gleichen Gehäuseteil unterzubringen und das zweite
Gehäuseteil auf einen haubenartigen Deckel zu reduzieren, in dem lediglich eine Strombrücke angeordnet ist. End-
25 lich können Signalgeber beliebiger Art verwendet werden, also anstatt eines Summers beispielsweise auch ein miniaturisierter Tonfrequenzgenerator in Verbindung mit einem Schallgeber oder sogar ein miniaturisiertes Radio-
gerät



PATENTANSPRÜCHE

1. Batterie-Kleinwecker mit zusammen mit dem Uhrwerk
in einem Gehäuse angeordnetem elektrischem Alarmgeber,
bei welchem das Gehäuse zwei mit ihren Enden inein-
andergeführte und geradlinig gegeneinander verschieb-
bare Gehäuseteile aufweist, dadurch gekennzeichnet,
5 dass diese Gehäuseteile (1,2) aus einer ersten
Stellung, in welcher sie bis zu einem Anschlag (5)
ineinandergeschoben sind, in eine zweite gerastete
Stellung ausziehbar sind, dass in den Gehäuseteilen
10 (1,2) sich in deren Verschieberichtung erstreckende,
im Stromkreis des Alarmgebers (17) liegende Blatt-
federn (10,16,18) und Stromschiene (19) angeordnet
sind, die bei Einnahme der genannten zweiten Stellung
mit ihren Enden (20 bzw. 21) federnd aneinander an-
15 liegen und die, bei Einnahme der genannten ersten
Stellung, voneinander getrennt sind, und dass ein aus
einer Stromschiene (19) und einer Blattfeder (16)
bestehendes Kontaktpaar ineinandergreifende Abschnitte
(21,24) aufweist, die eine Rast für die zweite Stel-
20 lung der Gehäuseteile (1,2) und zugleich eine lös-
bare Sperre (21,25) gegen ein Trennen der beiden
Gehäuseteile (1,2) bilden.
2. Kleinwecker nach Anspruch 1, dadurch gekennzeichnet,
dass eine der Blattfedern (18) bei Einnahme der er-
25 sten Stellung der Gehäuseteile (1,2) mit ihrem Ende
(20) auf einem der zugeordneten Stromschiene (10) be-
nachbarten, elektrisch isolierten Teil (23) aufliegt.



3. Kleinwecker nach Anspruch 2, dadurch gekennzeichnet,
dass das elektrisch isolierte Teil (23) von einem Ab-
schnitt des aus Kunststoff bestehenden Gehäuses (1,2)
gebildet wird, an dessen Innenseite die Blattfedern
5 (10,16,18) und Stromschienen (19) unmittelbar befestigt sind.
4. Kleinwecker nach Anspruch 1, dadurch gekennzeichnet,
dass auf dem bei Einnahme der zweiten Stellung der
Gehäuseteile (1,2) freiliegenden Gehäuseabschnitt
10 (3) eine die Alarmbereitschaft des Kleinweckers anzeigende Markierung angebracht ist.
5. Kleinwecker nach Anspruch 1, dadurch gekennzeichnet,
dass in dem einem Gehäuseteil (1) das Uhrwerk (6)
und die zum Betrieb des Alarmgebers (17) dienende
15 Batterie (8) und in dem anderen Gehäuseteil (2) der Alarmgeber untergebracht sind.
6. Kleinwecker nach Anspruch 1, dadurch gekennzeichnet,
dass der Alarmgeber von einem miniaturisierten Radiogerät gebildet wird.



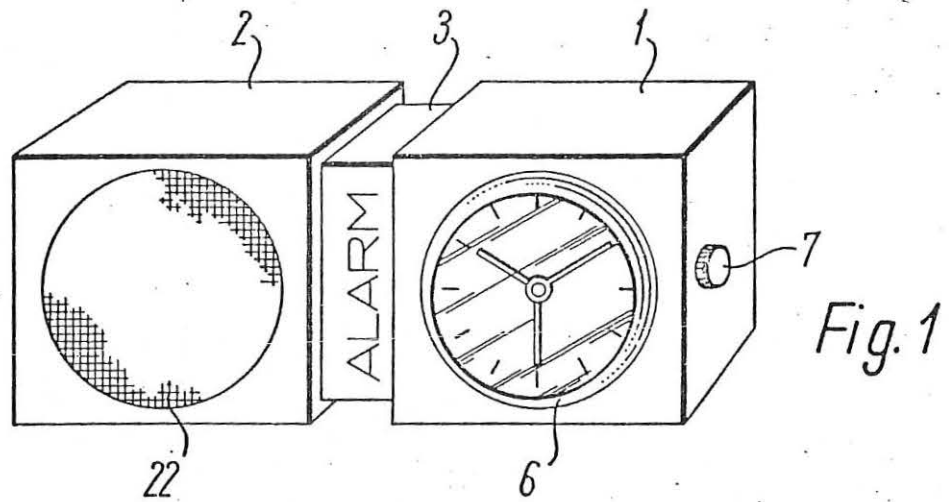


Fig. 1

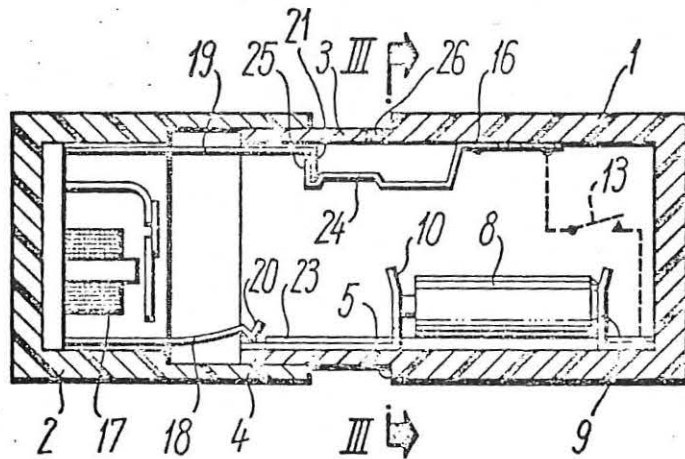


Fig. 2

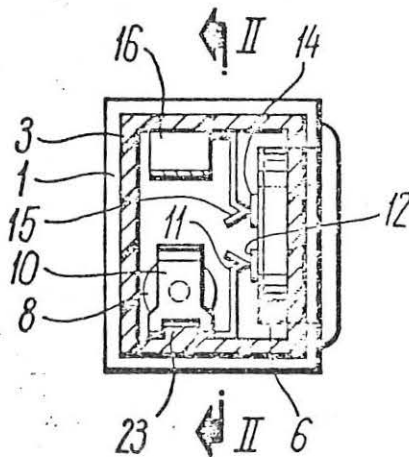


Fig. 3



SAMPLE WEEKLY ISSUE OF THE GAZETTE

This Annex contains a sample weekly issue of the Gazette (English edition), prepared in accordance with the principles set out in the Guidelines. Since this sample illustrates, among other things, the numbering system proposed for the pages of the Gazette, the pages of the sample have been numbered according to this numbering system. For the sake of clarity, the current page numbering used throughout the present document has not been applied to this Annex.

SPECIMEN D'UN NUMERO HEBDOMADAIRE DE LA GAZETTE

La présente annexe contient un spécimen d'un numéro hebdomadaire de la Gazette, préparé selon les principes exposés dans les directives. Ce spécimen illustrant, entre autres, le système proposé pour la pagination de la Gazette, les pages de ce spécimen ont été numérotées conformément à la pagination prévue. Pour plus de clarté, la pagination utilisée dans le présent document n'a pas été appliquée à cette annexe.

GAZETTE OF INTERNATIONAL PATENT APPLICATIONS

under the

Patent Cooperation Treaty (PCT)

published by the International Bureau
of the World Intellectual Property Organization

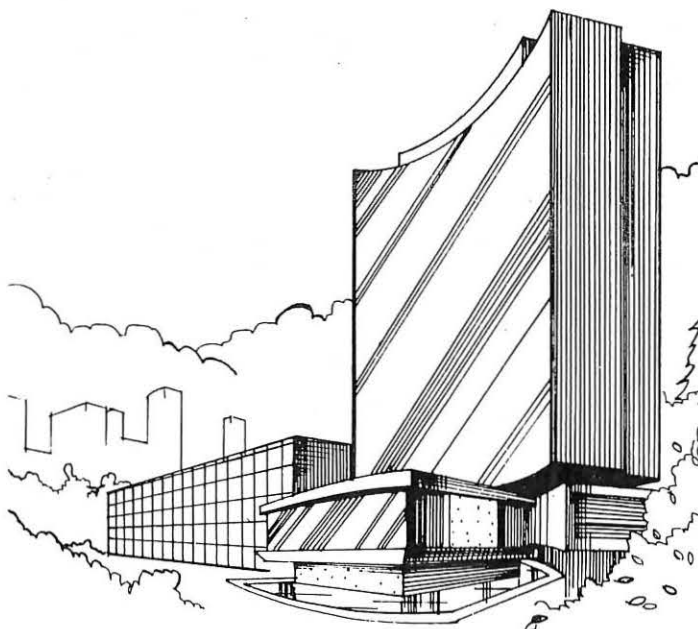
International Publication Numbers :

WO 75/01208 to WO 75/01257

No 27/75



14 July 1975



GAZETTE OF INTERNATIONAL PATENT APPLICATIONS

TABLE OF CONTENTS

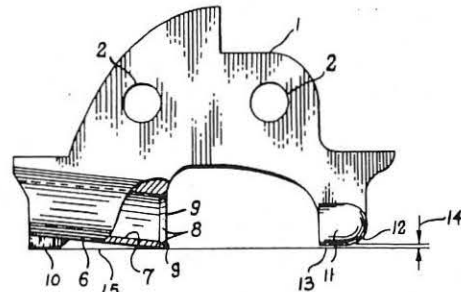
	Pages
Section I : Published International Applications	
Section II : Notices and Information relating to Published International Applications	
Section III : Weekly Indexes	
Section IV : Notices and Information of a General Character	

SECTION I

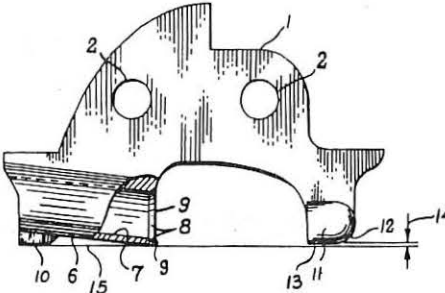
Published International Applications

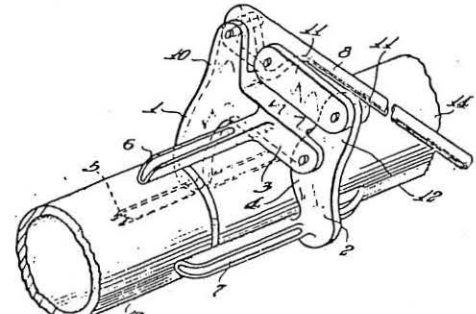
International Publication Numbers:

WO 75/01208 to WO 75/01257

<p>(21) Int. Appl. Number : PCT/GB75/61234 (22) Int. Filing Date : 10 January 1975</p>	<p>(51) International Patent Classification B23K 37/04</p>	<p>(11) International Publication Number : WO 75/01208 (43) International Publication Date : 14 July 1975</p>
<p>(31) Priority Appl. Number : 53762/74 (32) Priority Date : 14 January 1974 (33) Priority Country : GB</p>		
<p>(71) Applicants : THAMES Ltd., 34 South Bank Street, Chiswick, London S.W.2, United Kingdom. THAMES Ltd., 34 South Bank Street, Chiswick, London S.W.2, United Kingdom. THAMES Ltd., 34 South Bank Street, Chiswick, London S.W.2, United Kingdom. THAMES Ltd., 34 South Bank Street, Chiswick, London S.W.2, United Kingdom. THAMES Ltd., 34 South Bank Street, Chiswick, London S.W.2, United Kingdom. THAMES Ltd., 34 South Bank Street, Chiswick, London S.W.2, United Kingdom. THAMES Ltd., 34 South Bank Street, Chiswick, London S.W.2, United Kingdom.</p>	<p>(54) Title : CUTTING SECTION FOR CHAIN SAWS</p>	
<p>Published with : INTERNATIONAL SEARCH REPORT, AMENDED CLAIMS, AND STATEMENT</p>		
<p>(72) Inventors : MOORE, Harry, 27 Victoria Street, Chiswick, London S.W.2, United Kingdom. MOORE, Harry, 27 Victoria Street, Chiswick, London S.W.2, United Kingdom. MOORE, Harry, 27 Victoria Street, Chiswick, London S.W.2, United Kingdom. MOORE, Harry, 27 Victoria Street, Chiswick, London S.W.2, United Kingdom. MOORE, Harry, 27 Victoria Street, Chiswick, London S.W.2, United Kingdom. MOORE, Harry, 27 Victoria Street, Chiswick, London S.W.2, United Kingdom. MOORE, Harry, 27 Victoria Street, Chiswick, London S.W.2, United Kingdom.</p>	<p>(57) Abstract</p> <p>A chain saw device, comprising a cutting tooth having a planar base plate (1) with an aperture (2) therein for attachment to a power-driven chain. A pilot block (11) depends from the trailing edge of the plate and a cylindrical member (6) from the leading edge of the plate with its longitudinal axis inclined upwardly and rearwardly. The cylindrical member has a sharpened, arcuate, forward edge (9) for cutting a kerf. A bore (7) extends through the cylindrical member for passage of a chain therethrough and a heel portion (10) follows the forward cutting edge (9) for engaging and finishing the kerf. The chain saw device, while particularly designed for use in cutting wood, is also adapted for cutting minerals and other materials.</p>	
<p>(74) Agents : JONES, Peter, 179 Richmond Hill, Richmond, London S.W.4, United Kingdom. JONES, Peter, 179 Richmond Hill, Richmond, London S.W.4, United Kingdom. JONES, Peter, 179 Richmond Hill, Richmond, London S.W.4, United Kingdom. JONES, Peter, 179 Richmond Hill, Richmond, London S.W.4, United Kingdom.</p> <p>(81) Designated States : AG, BR, CA, CH (regional patent), CS (inventor's certificate), DT (regional patent), ET, FR (regional patent), GB (regional patent), HU, IT (regional patent), JA (utility model), SU (inventor's certificate), SW (regional patent), US.</p>		

Section I

<p>(21) Int. Appl. Number : PCT/GB75/61234 (22) Int. Filing Date : 10 January 1975 (31) Priority Appl. Number : 53762/74 (32) Priority Date : 14 January 1974 (33) Priority Country : GB</p>	<p>(51) International Patent Classification B23K 37/04</p>	<p>(11) International Publication Number : WO 75/01234 (43) International Publication Date : 14 July 1975</p>
<p>(71) Applicants : THAMES Ltd., 34 South Bank Street, Chiswick, London S.W.2, United Kingdom. THAMES Ltd., 34 South Bank Street, Chiswick, London S.W.2, United Kingdom. THAMES Ltd., 34 South Bank Street, Chiswick, London S.W.2, United Kingdom. THAMES Ltd., 34 South Bank Street, Chiswick, London S.W.2, United Kingdom. THAMES Ltd., 34 South Bank Street, Chiswick, London S.W.2, United Kingdom. THAMES Ltd., 34 South Bank Street, Chiswick, London S.W.2, United Kingdom. THAMES Ltd., 34 South Bank Street, Chiswick, London S.W.2, United Kingdom.</p> <p>Published with : INTERNATIONAL SEARCH REPORT, AMENDED CLAIMS AND STATEMENT</p> <p>(72) Inventors : MOORE, Harry, 27 Victoria Street, Chiswick, London S.W.2, United Kingdom. MOORE, Harry, 27 Victoria Street, Chiswick, London S.W.2, United Kingdom. MOORE, Harry, 27 Victoria Street, Chiswick, London S.W.2, United Kingdom. MOORE, Harry, 27 Victoria Street, Chiswick, London S.W.2, United Kingdom. MOORE, Harry, 27 Victoria Street, Chiswick, London S.W.2, United Kingdom. MOORE, Harry, 27 Victoria Street, Chiswick, London S.W.2, United Kingdom. MOORE, Harry, 27 Victoria Street, Chiswick, London S.W.2, United Kingdom.</p> <p>(74) Agents : JONES, Peter, 179 Richmond Hill, Richmond, London S.W.4, United Kingdom. JONES, Peter, 179 Richmond Hill, Richmond, London S.W.4, United Kingdom. JONES, Peter, 179 Richmond Hill, Richmond, London S.W.4, United Kingdom. JONES, Peter, 179 Richmond Hill, Richmond, London S.W.4, United Kingdom.</p> <p>(81) Designated States : AG, BR, CA, CH (regional patent), CS (inventor's certificate), DT (regional patent), ET, FR (regional patent), GB (regional patent), HU, IT (regional patent), JA (utility model), SU (inventor's certificate), SW (regional patent), US.</p>	<p>(54) Title : CUTTING SECTION FOR CHAIN SAWS</p>  <p>(57) Abstract</p> <p>A chain saw device, comprising a cutting tooth having a planar base plate (1) with an aperture (2) therein for attachment to a power-driven chain. A pilot block (11) depends from the leading edge of the plate and a cylindrical member (6) from the trailing edge of the plate with its longitudinal axis inclined upwardly and rearwardly. The cylindrical member has a sharpened, arcuate, forward edge (9) for cutting a kerf. A bore (7) extends through the cylindrical member for passage of chips therethrough and a heel portion (10) follows the forward cutting edge (9) for engaging and finishing the kerf. The chain saw device, while particularly designed for use in cutting wood, is also adapted for cutting minerals and other materials.</p>	

<p>(21) Int. Appl. Number : PCT/JA75/00002 (22) Int. Filing Date : 14 January 1975 (31) Priority Appl. Number : 618,901 (32) Priority Date : 20 January 1974 (33) Priority Country : US</p>	<p>(51) International Patent Classification B23K 37/04</p>	<p>(11) International Publication Number : WO 75/01235 (43) International Publication Date : 14 July 1975</p>
<p>(60) Parent Appl. or Grant (63) Related by continuation : Appl. No 543,210 Filed on 16 December 1973 (US).</p> <p>Published with : INTERNATIONAL SEARCH REPORT</p> <p>(71) Applicants : TUROWSKI, Mary, 1600 S.Eads Street, Arlington, Virginia, 22202, United States of America. TUROWSKI, Mary, 1600 S.Eads Street, Arlington, Virginia, 22202, United States of America. TUROWSKI, Mary, 1600 S.Eads Street, Arlington, Virginia, 22202, United States of America.</p> <p>(72) Inventors : Applicants are also the inventors</p> <p>(81) Designated States : CH (regional patent), DT (regional patent), GB (regional patent), JA (utility model), OE (regional patent), SU (inventor's certificate), SW (regional patent), US.</p>	<p>(54) Title : A SELF-LOCKING PIPE CLAMP FOR FIELD WELDING</p>  <p>(57) Abstract</p> <p>The object of the invention is to provide a self-locking welding clamp which makes two pipes be in axial alignment.</p> <p>Said clamp has a pair of clamping members (1 and 2) pivotally connected to each other at intermediate portions by means of a bar (3) and an enlarged portion (4) of the member (2), and a lever (8) pivotally connected to the upper end (10) of the member (1) and also connected at an intermediate portion by means of two links (11) to the upper end (12) of the other member (2).</p> <p>The other object is to provide the method of welding two pipes by using said clamp where the clamp is placed over the pipes (13 and 14) then is actuated, to grip them. After that the pipes are tack-welded at several points around the circumferences. The weld around the circumferences of the joint is completed after removing the clamp.</p>	

SECTION II

Notices and Information relating to
Published International Applications

[Text matter]

Section II

[Text matter]

SECTION III

Weekly Indexes

International Application Numbers
with corresponding
International Publication Numbers

International Application Numbers	International Publication Numbers	International Application Numbers	International Publication Numbers
AG PCT/AG75/00123	WO 76/10032		
PCT/AG75/00124	WO 76/10235		
PCT/AG75/00125	WO 76/10335		
PCT/AG75/00126	WO 76/10392		
PCT/AG75/00127	WO 76/10399		
PCT/AG75/00128	WO 76/10412		
AR PCT/AR75/00232	WO 76/10033		
PCT/AR75/00233	WO 76/10052		
PCT/AR75/00234	WO 76/10087		
PCT/AR75/00235	WO 76/10122		
PCT/AR75/00236	WO 76/10132		
PCT/AR75/00237	WO 76/10149		
PCT/AR75/00238	WO 76/10158		
AU PCT/AU75/00301	WO 76/10034		
PCT/AU75/00302	WO 76/10053		
PCT/AU75/00303	WO 76/10236		
PCT/AU75/00304	WO 76/10248		
PCT/AU75/00305	WO 76/10346		
PCT/AU75/00306	WO 76/10408		
PCT/AU75/00307	WO 76/10413		
PCT/AU75/00308	WO 76/10427		

Section III

International Publication Numbers
according to
Designated States

<p>AG ALGERIA</p> <p>WO 76/10032 WO 76/10033 WO 76/10035 WO 76/10235 WO 76/10335 WO 76/10392 WO 76/10399 WO 76/10412</p> <p>AR ARGENTINA</p> <p>WO 76/10033 WO 76/10035 WO 76/10037 WO 76/10052 WO 76/10087 WO 76/10122 WO 76/10132 WO 76/10149 WO 76/10158 WO 76/10248 WO 76/10427</p> <p>AU AUSTRALIA</p> <p>WO 76/10034 WO 76/10053 WO 76/10122 WO 76/10238 WO 76/10248 WO 76/10346 WO 76/10408 WO 76/10413 WO 76/10427</p>			
--	--	--	--

Section III

Names of Applicants
and corresponding
International Publication Numbers

Names of Applicants	International Publication Numbers	Names of Applicants	International Publication Numbers
ABBOT LABORATORIES ADAMS, Robert ADVANCE DRAINAGE SYSTEM AGENCE NATIONALE DE VALORISATION DE LA RECHERCHE AJINOMOTO Co, Inc. AMSTED-SIEMAG KETTE G.m.b.H. ARBENZ, Heinz and BAUMGARTNER, Werner BABCOCK & WILCOX Co BADISCHE ANILIN BEAUDETTE, Charles BELGIORNO, Carlo BENFORD, James Nelson BURUNOV, Vladimir BUSNELL LABORATORIES CALDWELL, John	WO 76/10032 WO 76/10122 WO 76/10012 WO 76/10399 WO 76/10287 WO 76/10021 WO 76/10434 WO 76/10346 WO 76/10427 WO 76/10408 WO 76/10346 WO 76/10248 WO 76/10238 WO 76/10122 WO 76/10053 WO 76/10034 WO 76/10248		

Section III

International Publication Numbers Grouped according to
International Patent Classification Symbols

<p><u>A 01 D 35/26</u></p> <p>WO 76/10032 WO 76/10122</p> <p><u>A 23 L 3/34</u></p> <p>WO 76/10427</p> <p><u>A 61 K 35/14</u></p> <p>WO 76/10021</p> <p><u>B 60 T 8/10</u></p> <p>WO 76/10434</p> <p><u>C 07 C 125/04</u></p> <p>WO 76/10012 WO 76/10287 WO 76/10399 WO 76/10408</p>			
--	--	--	--

SECTION IV

Notices and Information of a General Character

[Text matter]

Section IV

[Text matter]

SAMPLE ANNUAL ISSUE OF THE CUMULATIVE INDEXES

This Annex contains a sample annual issue of the cumulative indexes (English edition), prepared in accordance with the principles set out in the Guidelines. Since this sample illustrates, among other things, the numbering system proposed for the pages of the cumulative indexes, the pages of the sample have been numbered according to this numbering system. For the sake of clarity, the current page numbering used throughout the present document has not been applied to this Annex.

SPECIMEN D'UN NUMERO ANNUEL DES INDEX RECAPITULATIFS

La présente annexe contient un spécimen d'un numéro annuel des index récapitulatifs préparé selon les principes exposés dans les directives. Ce spécimen illustrant, entre autres, le système proposé pour la pagination des index récapitulatifs, les pages de ce spécimen ont été numérotées conformément à la pagination prévue. Pour plus de clarté, la pagination utilisée dans le présent document n'a pas été appliquée à cette annexe.

GAZETTE OF INTERNATIONAL PATENT APPLICATIONS

under the

Patent Cooperation Treaty (PCT)

published by the International Bureau
of the World Intellectual Property Organization

CUMULATIVE INDEXES

International Applications

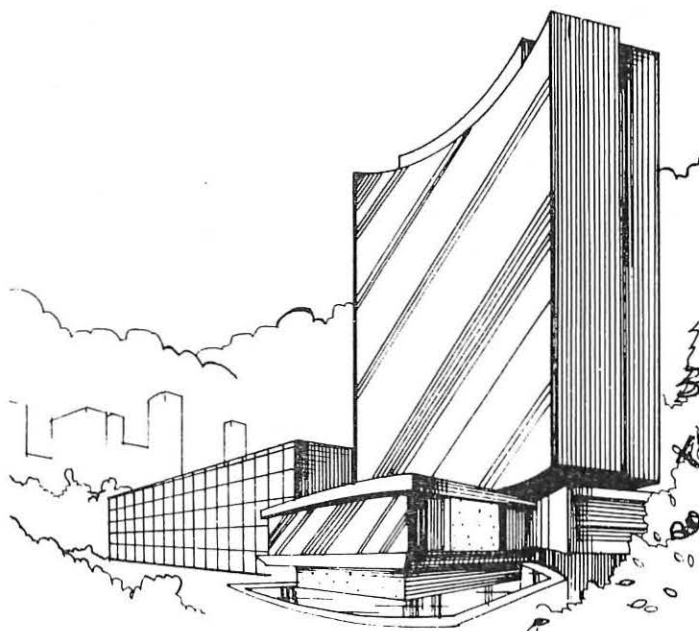
Published

from

15 July 1974

to

14 July 1975



GAZETTE OF INTERNATIONAL PATENT APPLICATIONS

Cumulative Indexes

Names of Applicants
and corresponding
International Publication Numbers

Names of Applicants	International Publication Numbers	Names of Applicants	International Publication Numbers
ABBOT LABORATORIES ADAMS, Robert ADVANCE DRAINAGE SYSTEM AGENCE NATIONALE DE VALORISATION DE LA RECHERCHE AJINOMOTO Co, Inc. AMSTED-SIEMAG KETTE G.m.b.H. ARBENZ, Heinz and BAUMGARTNER, Werner BABCOCK & WILCOX Co BADISCHE ANILIN BEAUDETTE, Charles BELGIORNO, Carlo BENFORD, James Nelson BURUNOV, Vladimir BUSNELL LABORATORIES	WO 76/10032 WO 76/10122 WO 76/10012 WO 76/10399 WO 76/10287 WO 76/10021 WO 76/10434 WO 76/10346 WO 76/10427 WO 76/10408 WO 76/10346 WO 76/10248 WO 76/10238 WO 76/10122 WO 76/10053 WO 76/10034		
CALDWELL, John	WO 76/10248		

GAZETTE OF INTERNATIONAL PATENT APPLICATIONS

Cumulative Indexes

Names of Applicants	International Publication Numbers	Names of Applicants	International Publication Numbers

GAZETTE OF INTERNATIONAL PATENT APPLICATIONS

Cumulative IndexesInternational Publication Numbers Grouped according to
International Patent Classification Symbols

<u>A 01 D 35/26</u> WO 76/10032 WO 76/10122			
<u>A 23 L 3/34</u> WO 76/10427			
<u>A 61 K 35/14</u> WO 76/10021			
<u>B 60 T 8/10</u> WO 76/10434			
<u>C 07 C 125/04</u> WO 76/10012 WO 76/10287 WO 76/10399 WO 76/10408			

GAZETTE OF INTERNATIONAL PATENT APPLICATIONS

Cumulative Indexes

--	--	--	--

[End of document]

[Fin du document]